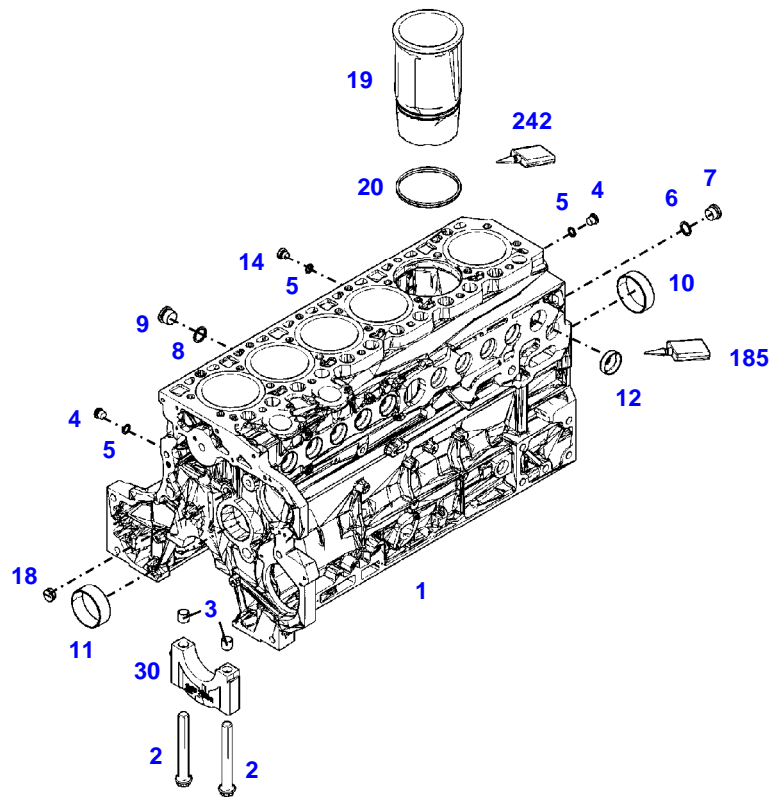


<b>Page Number</b>	<b>Page Title</b>	<b>Page Reference</b>
01-000-TOC	ENGINE, FUEL AND EXHAUST SYSTEM	01-000-TOC
02-000-TOC	AXLES	02-000-TOC
03-000-TOC	STEERING SYSTEM	03-000-TOC
04-000-TOC	DRIVE TRAIN SYSTEM	04-000-TOC
05-000-TOC	COMPRESSED AIR SYSTEM	05-000-TOC
06-000-TOC	HYDRAULIC SYSTEM	06-000-TOC
07-000-TOC	ELECTRICAL SYSTEM	07-000-TOC
08-000-TOC	CAB	08-000-TOC
09-000-TOC	AIR CONDITIONING AND HEATING SYSTEM	09-000-TOC
10-000-TOC	CHASSIS	10-000-TOC
11-000-TOC	WHEELS	11-000-TOC
12-000-TOC	IMPLEMENT LIFT SYSTEM FRONT	12-000-TOC
13-000-TOC	IMPLEMENT LIFT SYSTEM REAR	13-000-TOC
14-000-TOC	PRECISION FARMING SYSTEMS	14-000-TOC
15-000-TOC	ACCESSORIES	15-000-TOC

FENDT 924NA SCR (941/00101-99999)  
41276



041276

Item	Part Number	Qty	Description Comments	Technical Specification
	72493782	1	ENGINE <-- 941/0101 --> 941/0200 <-- 941/1001 --> 941/1011 <-- 941/0101 --> 941/0200 <> <-- 941/1001 --> 941/1010 <>	TCD7.8L6
	72493728	1	REPAIR KIT	
	72608984	1	REMANUFACTURED SHORT BLOCK ENGINE <-- 941/0101 --> 941/0200 <-- 941/1001 --> 941/1011	
	72605705	1	ENGINE <-- 941/1012 --> 941/1100	TCD7.8L6
	72608984	1	REMANUFACTURED SHORT BLOCK ENGINE <-- 941/1012 --> 941/1100	
	72610105	1	ENGINE <-- 941/1101	TCD7.8L6
1	72485221	1	CRANKCASE ><2-12,14,18-20,30	
2	72451992	14	SCREW	
3	72451993	14	ADAPTER BUSH	
4	72315438	2	PLUG SCREW	DIN 908 M14X1,5-ST
5	72439867	3	SEALING WASHER 14X18MM	DIN7603-14X18-CU-VERZ
6	72439874	1	SEALING WASHER	
7	72315442	1	PLUG	DIN 908 M22X1,5-ST
8	72485225	1	SEALING WASHER 26X31MM	26X31
9	72373957	1	SCREW	DIN 908-M26X1,5-ST-A3L
10	72451995	6	BEARING BUSHING	
11	72451996	1	BEARING BUSHING	
12	72325325	10	CORE HOLE PLUG	
14	72315799	1	PLUG	DIN 7604 AM14X1,5-A3L
18	72416465	1	PLUG	
19	72485227	6	CYLINDER LINER ><20	
20	72415821	2	SEAL 112X3MM	
30			NOT AVAILABLE IN SINGLE PARTS	
185	72325403	1	SAFE.LOCK AGENT	
242	72325276	1	INSTALLATION AIDS	

**<https://www.ebooklibonline.com>**

Hello dear friend!

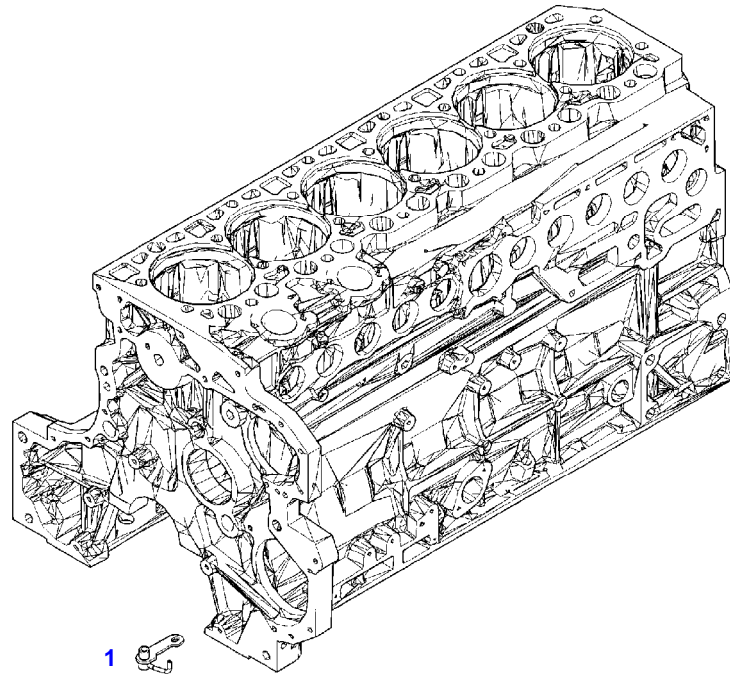
Thank you very much for reading.

Enter the link into your browser.

The full manual is available for immediate download.

**<https://www.ebooklibonline.com>**

FENDT 924NA SCR (941/00101-99999)  
41277



041277

---

Fendt

FENDT 924NA SCR (941/00101-99999)

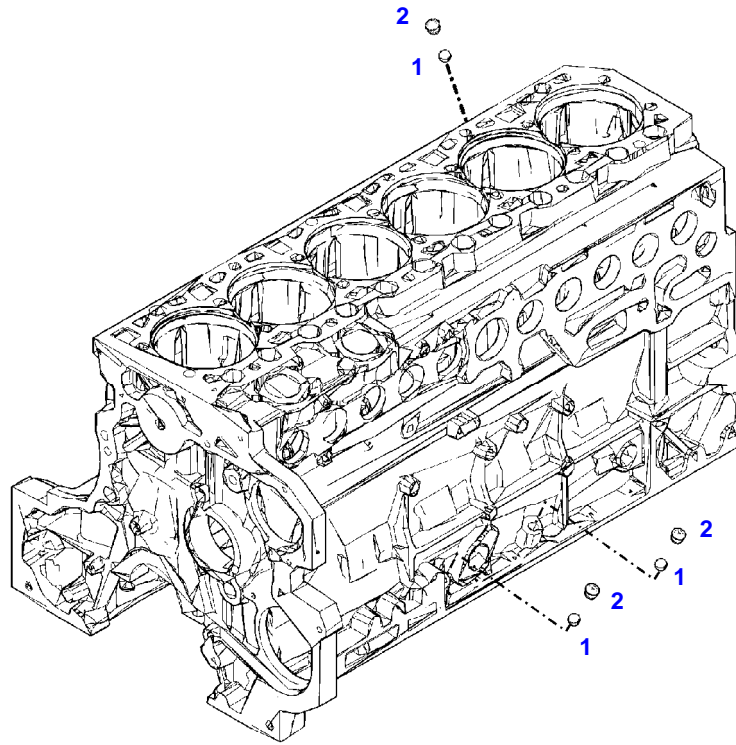
F941105

CRANKCASE

Page01-0002

Item	Part Number	Qty	Description Comments	Technical Specification
			PISTON COOL.NOZZLE	
1	72485235	6	PISTON COOLING JET	
2	72605244	6	HEXAGONAL HEAD BOLT M8X35	M8X35

FENDT 924NA SCR (941/00101-99999)  
41284



041284

---

Fendt

FENDT 924NA SCR (941/00101-99999)

F941105

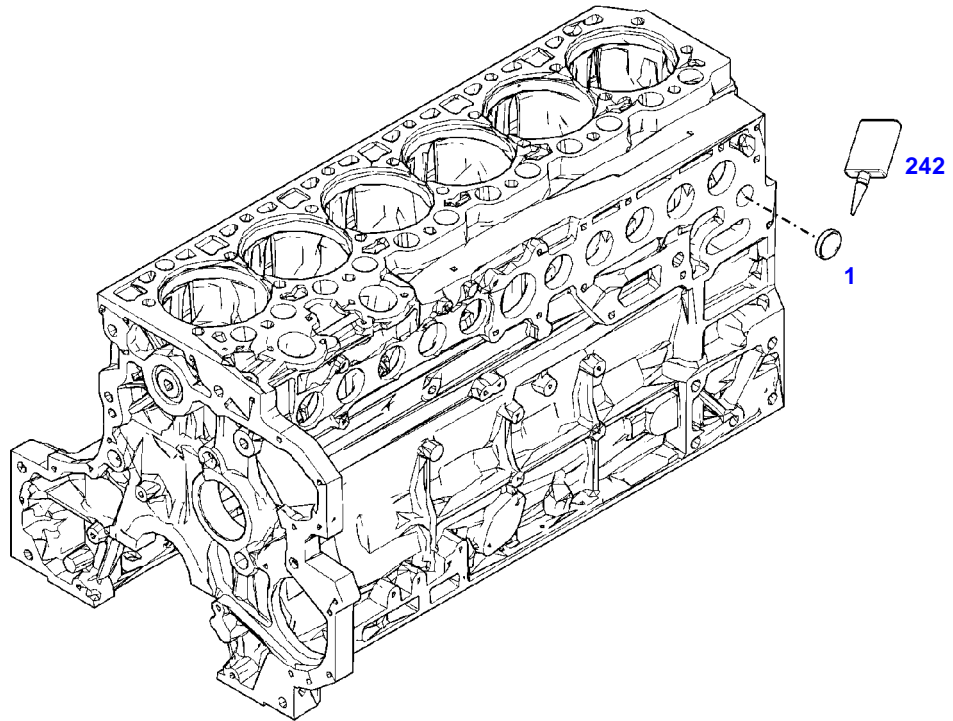
CRANKCASE

Page01-0003

---

Item	Part Number	Qty	Description Comments
			LOCKING PLUG
1	72484231	3	BALL
2	72611452	3	LOCKING PLUG

FENDT 924NA SCR (941/00101-99999)  
41319



041319

Fendt

FENDT 924NA SCR (941/00101-99999)

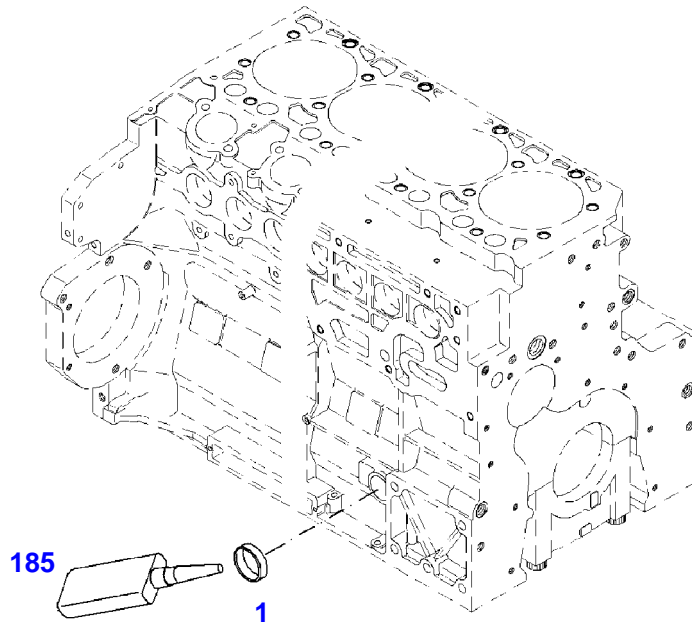
F941105

CRANKCASE

Page01-0004

Item	Part Number	Qty	Description Comments	Technical Specification
			<b>LOCKING PLUG</b>	
1	72485243	1	CORE HOLE PLUG	
242	72381391	1	THREADLOCKER	LOCTITE 243 10ML

FENDT 924NA SCR (941/00101-99999)  
41278



041278

---

Fendt

FENDT 924NA SCR (941/00101-99999)

F941105

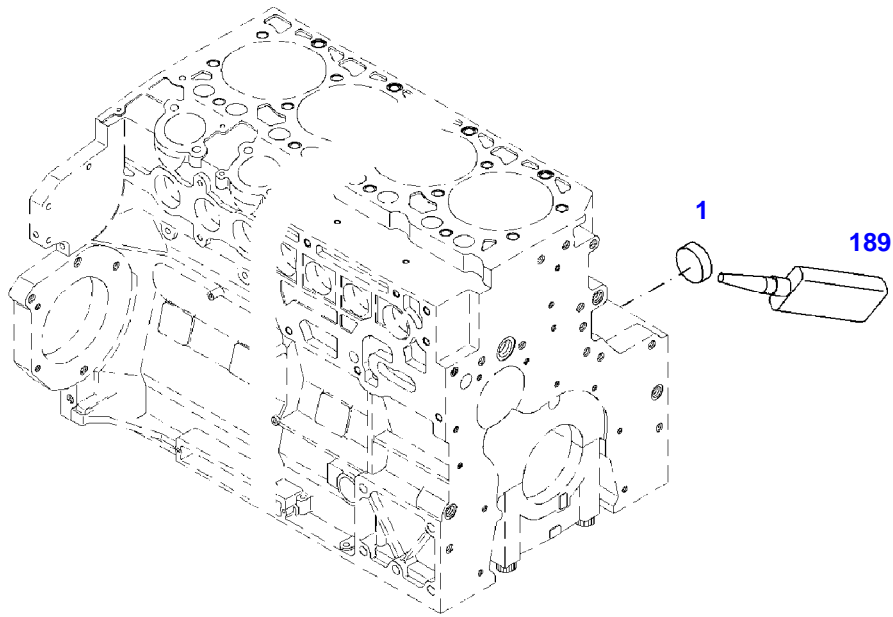
CRANKCASE

Page01-0005

---

Item	Part Number	Qty	Description Comments	Technical Specification
			LOCKING PLUG	
1	72327066	1	COVER	
185	72381391	1	THREADLOCKER	LOCTITE 243 10ML

FENDT 924NA SCR (941/00101-99999)  
41279



041279

---

Fendt

FENDT 924NA SCR (941/00101-99999)

F941105

CRANKCASE

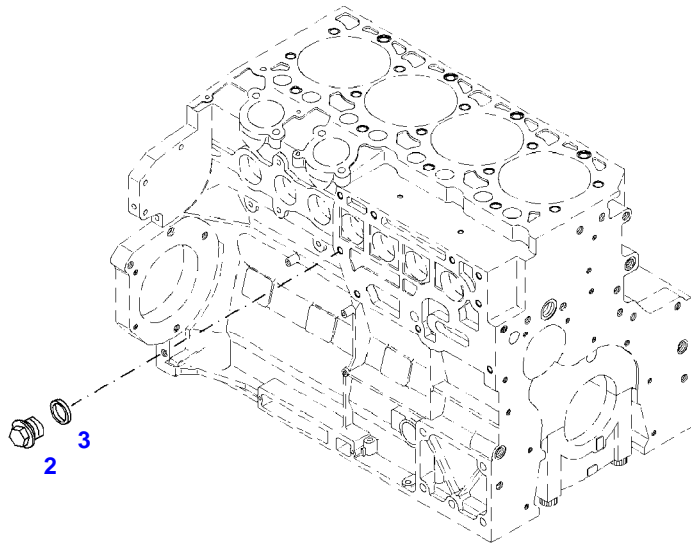
Page01-0006

---

Item	Part Number	Qty	Description Comments	Technical Specification
			<b>LOCKING PLUG</b>	
1	72485243	1	CORE HOLE PLUG	
189	72381391	1	THREADLOCKER	LOCTITE 243 10ML

FENDT 924NA SCR (941/00101-99999)  
35632

---



035632

---

Fendt

FENDT 924NA SCR (941/00101-99999)

F941105

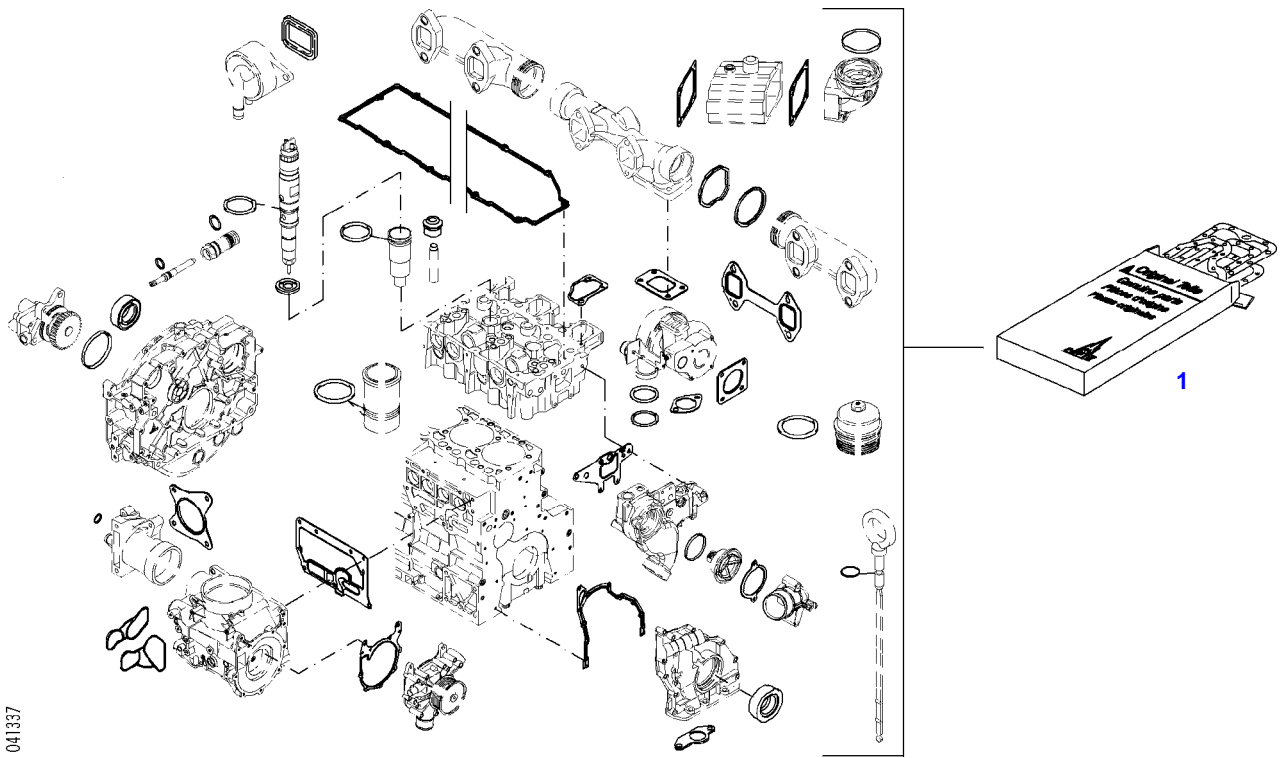
CRANKCASE

Page01-0007

---

Item	Part Number	Qty	Description Comments	Technical Specification
<b>BLANKING PARTS</b>				
2	72315799	1	PLUG	DIN 7604 AM14X1,5-A3L
3	72315094	1	SEALING WASHER	DIN 7603 A14X18-CU

FENDT 924NA SCR (941/00101-99999)  
41337



041337

---

Fendt

FENDT 924NA SCR (941/00101-99999)

F941105

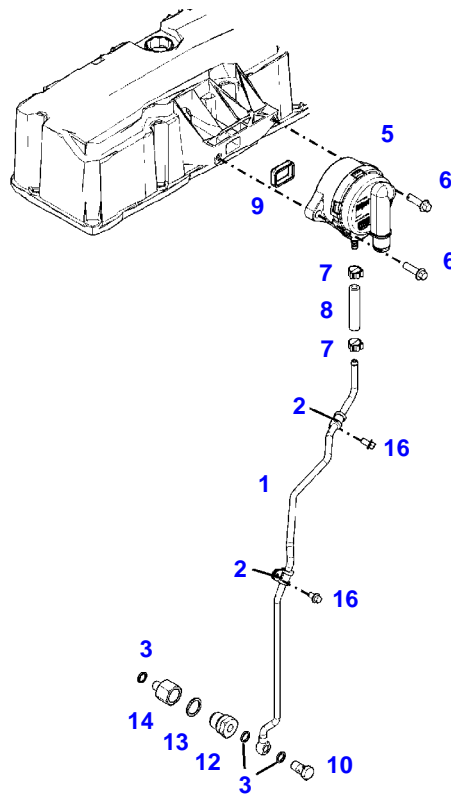
SET OF GASKETS

Page01-0008

---

Item	Part Number	Qty	Description Comments
			<b>ENGINE</b>
1	72609102	1	SEAL KIT WITHOUT CYLINDER HEAD GASKET

FENDT 924NA SCR (941/00101-99999)  
41330

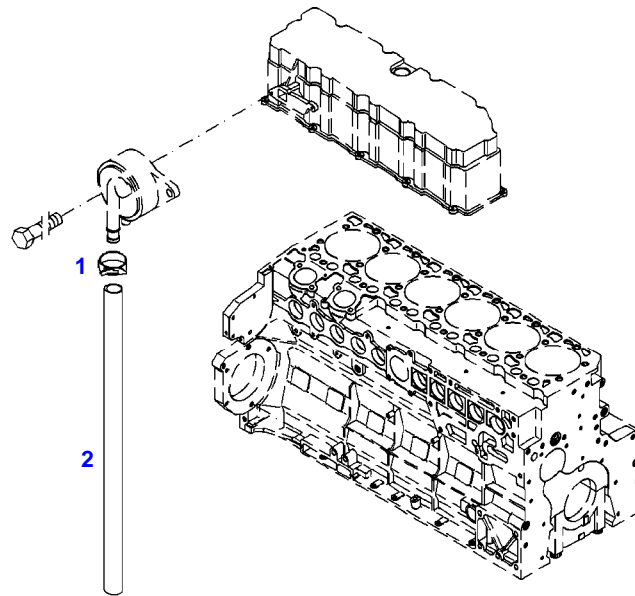


041330

Item	Part Number	Qty	Description Comments	Technical Specification
1	72487609	1	RETURN LINE ><2,3,10	
2	72454982	2	PIPE CLAMP	
3	72315090	3	SEALING WASHER	DIN 7603 A12X15,5-CU
5	72437250	1	BREATHER ><9	
6	72325293	2	HEXAGONAL HEAD BOLT M8X30	M8X30
7	72607524	2	HOSE CLIP	
8	72452001	1	RUBBER HOSE	
9	72455795	1	SEAL	
10	72323517	1	BANJO BOLT	
12	72485771	1	LOCK VALVE ><13,14	
13	72315101	1	SEALING WASHER	DIN 7603 A22X27-CU
14	72452004	1	ADAPTER	
16	72325300	2	HEXAGONAL HEAD BOLT M6X12	M6X12

FENDT 924NA SCR (941/00101-99999)  
35675

---



035675

Fendt

FENDT 924NA SCR (941/00101-99999)

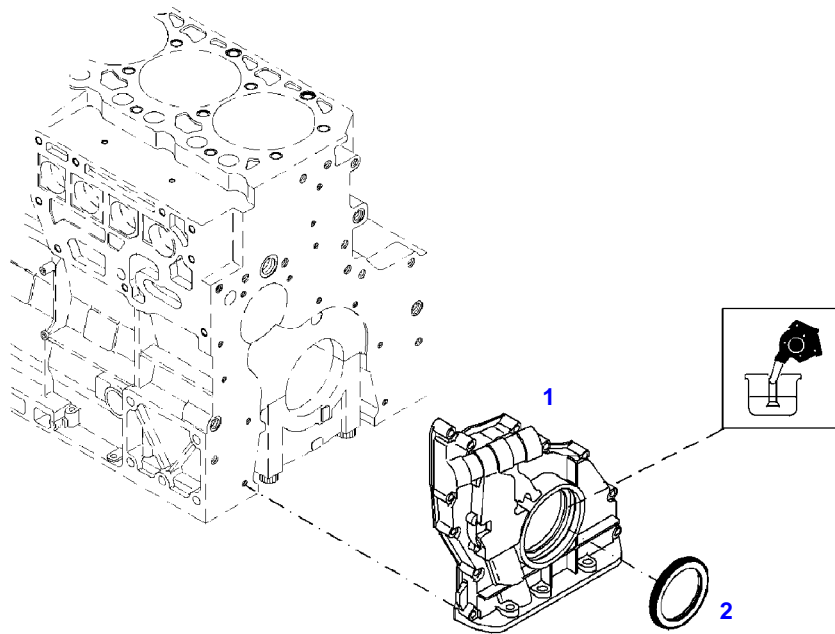
F941105

CRANKCASE BREATHER

Page01-0010

Item	Part Number	Qty	Description Comments	Technical Specification
			<b>BREATHER TUBE</b>	
1	72311167	1	HOSE CLIP	
2	72450415	1	HOSE	L=900 DIN73411-22X3,5 R

FENDT 924NA SCR (941/00101-99999)  
41280



041280

---

Fendt

FENDT 924NA SCR (941/00101-99999)

F941105

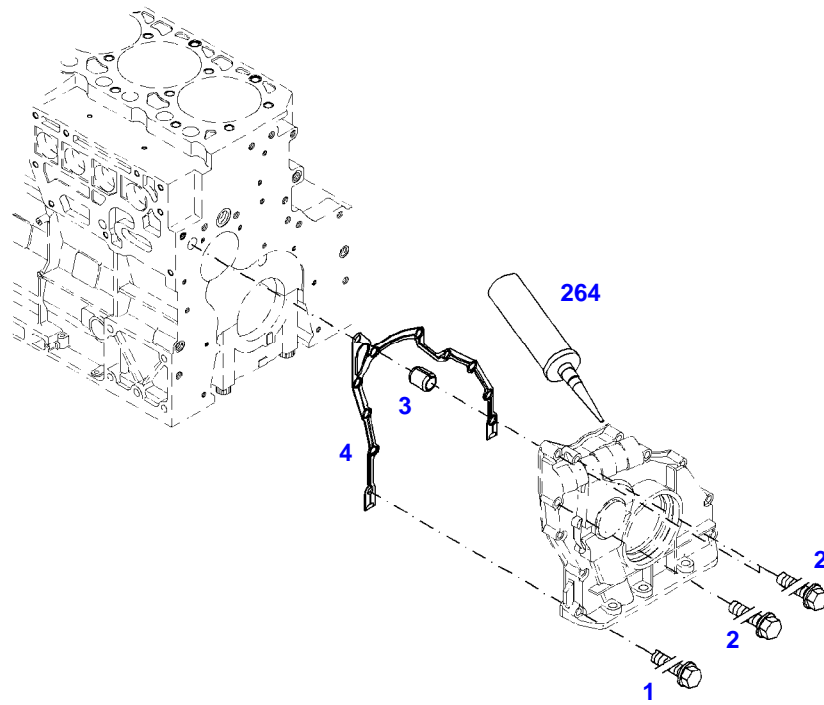
FRONT COVER

Page01-0011

---

Item	Part Number	Qty	Description Comments
			<b>INTEGRATED OIL PUMP</b>
1	72485249	1	CRANKCASE END COVER ><2
2	72485251	1	SHAFT SEAL

FENDT 924NA SCR (941/00101-99999)  
40931

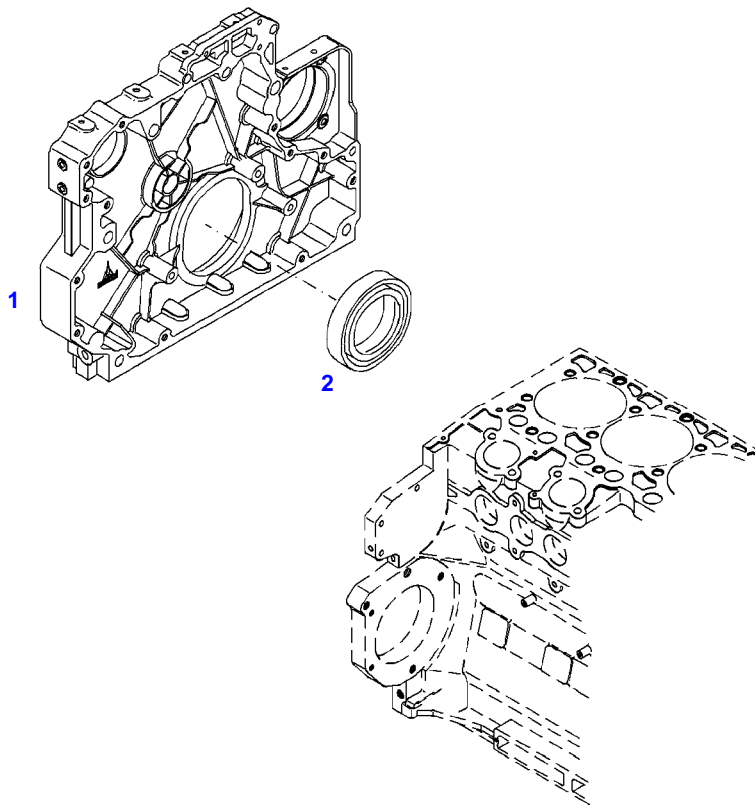


040931

Item	Part Number	Qty	Description Comments	Technical Specification
<b>FASTENINGS</b>				
1	72605244	8	HEXAGONAL HEAD BOLT M8X35	M8X35
2	72452006	3	HEXAGONAL HEAD BOLT M8X70	
3	72325352	1	TENSIONER BUSHING	
4	72452007	1	SEAL	
264	72438062	1	SEALING COMPOUND	

FENDT 924NA SCR (941/00101-99999)  
35636

---



035636

---

Fendt

FENDT 924NA SCR (941/00101-99999)

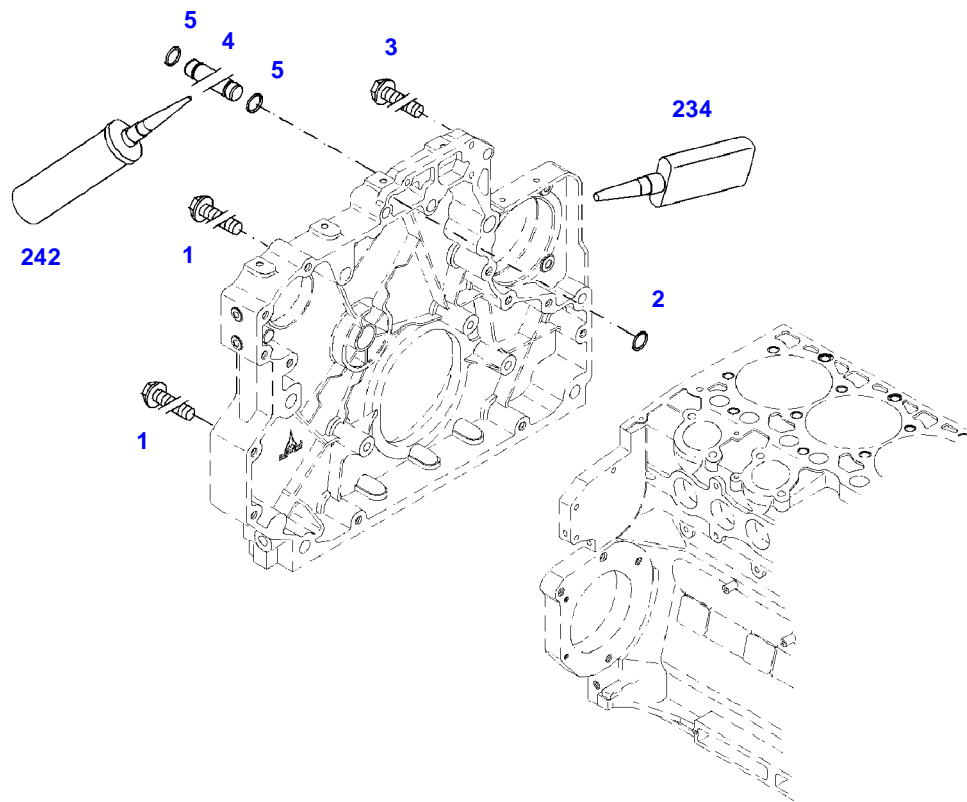
F941105

GEARCASE

Page01-0013

Item	Part Number	Qty	Description Comments
1	72619324	1	WHEEL BOX
2	72488927	1	SHAFT SEAL

FENDT 924NA SCR (941/00101-99999)  
41039

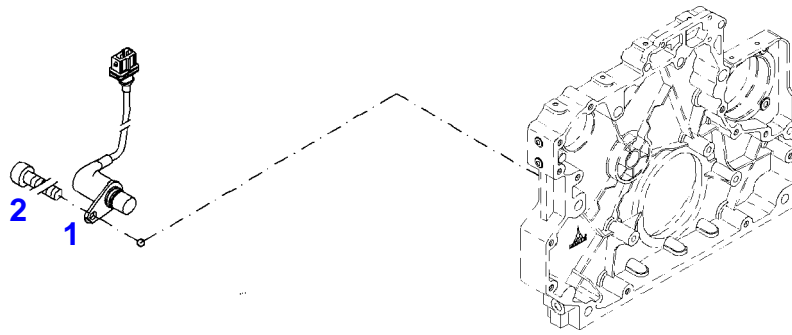


041039

Item	Part Number	Qty	Description Comments	Technical Specification
<b>FASTENINGS</b>				
1	72325393	8	HEXAGONAL HEAD BOLT M8X65	
2	72415664	1	SEAL 7X3MM	
3	72325293	2	HEXAGONAL HEAD BOLT M8X30	M8X30
4	72452009	1	BOLT ><5	
5	72452010	2	SEAL 42X4MM	
234	72325408	1	SEALING COMPOUND	
242	72325276	1	INSTALLATION AIDS	

FENDT 924NA SCR (941/00101-99999)  
40932

---



040932

---

Fendt

FENDT 924NA SCR (941/00101-99999)

F941105

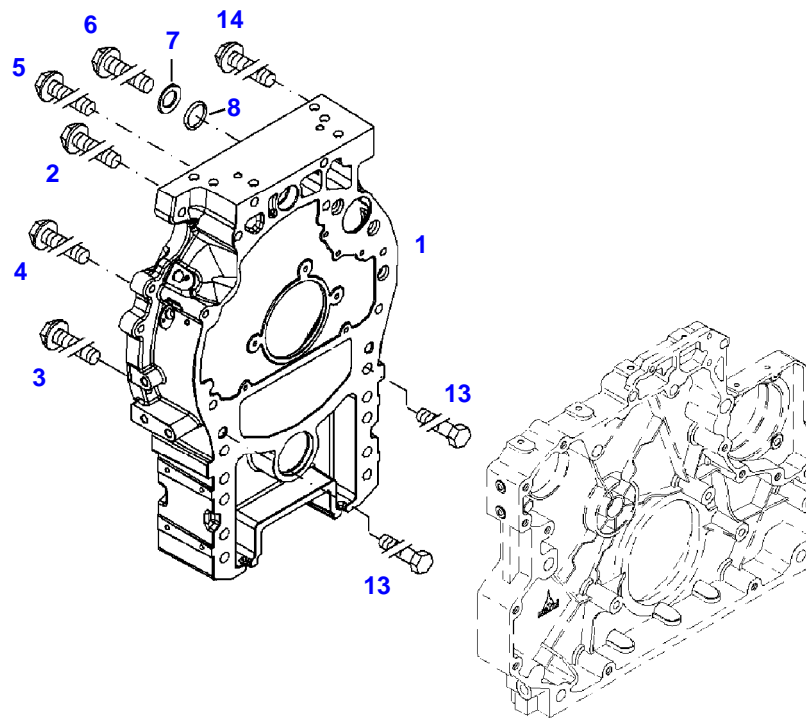
IMPULSETRANSMITTER

Page01-0015

---

Item	Part Number	Qty	Description Comments	Technical Specification
			<b>CAM SHAFT</b>	
1	72452011	1	ENGINE SPEED SENSOR CAM SHAFT	
2	72315460	1	SOCKET HEAD BOLT	DIN 912 M6X16-8.8

FENDT 924NA SCR (941/00101-99999)  
40933

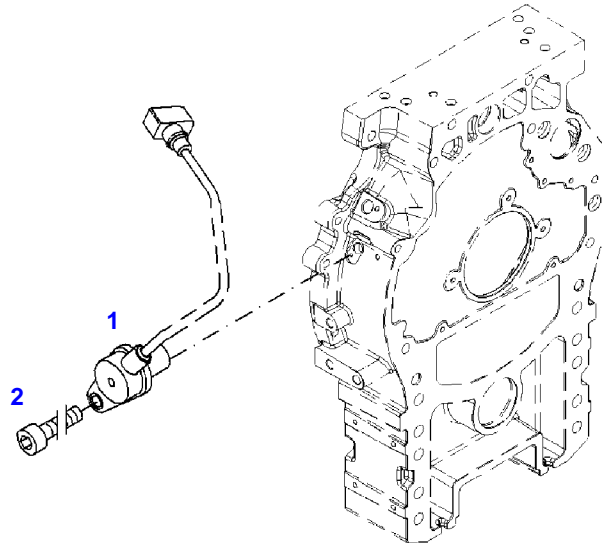


040933

Item	Part Number	Qty	Description Comments	Technical Specification
1	72437820	1	CONNECTING HOUSING	
2	72452012	1	HEXAGONAL HEAD BOLT M16X200	
3	72452013	3	HEXAGONAL HEAD BOLT M16X120	
4	72452014	8	HEXAGONAL HEAD BOLT M8X70	
5	72452015	1	HEXAGONAL HEAD BOLT M12X130	
6	72452016	1	HEXAGONAL HEAD BOLT M16X1,5X180	
7	72452021	1	DISC	
8	72452017	1	SEAL 16X4MM	
13	72374344	2	HEXAGONAL HEAD BOLT	DIN 931 M20X70-10.9
14	72452019	1	HEXAGONAL HEAD BOLT M12X190	

FENDT 924NA SCR (941/00101-99999)  
40934

---



040934



**Suggest:**

**For more complete manuals. Please go to the home page.**

**<https://www.ebooklibonline.com>**

**If the above button click is invalid. Please download this document first, and then click the above link to download the complete manual.**

**Thank you so much for reading**

Fendt

FENDT 924NA SCR (941/00101-99999)

F941105

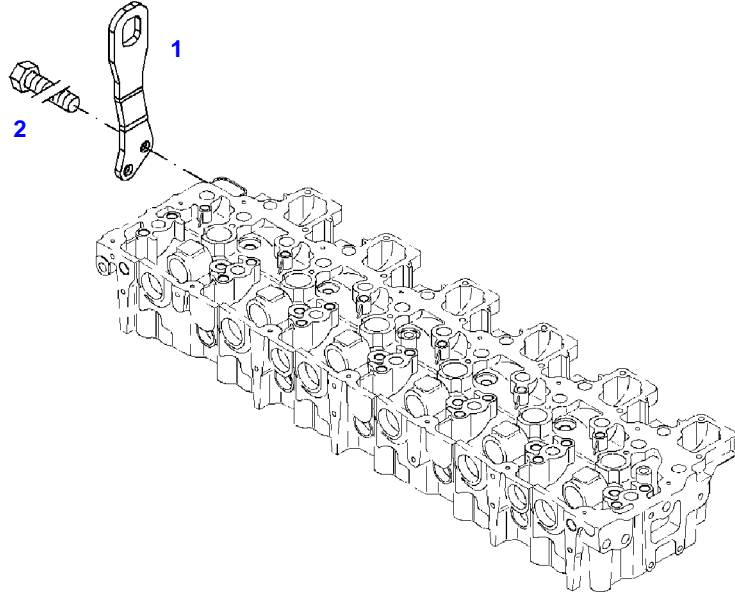
IMPULSETRANSMITTER

Page01-0017

Item	Part Number	Qty	Description Comments	Technical Specification
			FLYWHEEL	
1	72436872	1	TRANSMITTER FLYWHEEL	
2	72315460	1	SOCKET HEAD BOLT	DIN 912 M6X16-8.8

FENDT 924NA SCR (941/00101-99999)  
41281

---



041281

**<https://www.ebooklibonline.com>**

Hello dear friend!

Thank you very much for reading.

Enter the link into your browser.

The full manual is available for immediate download.

**<https://www.ebooklibonline.com>**