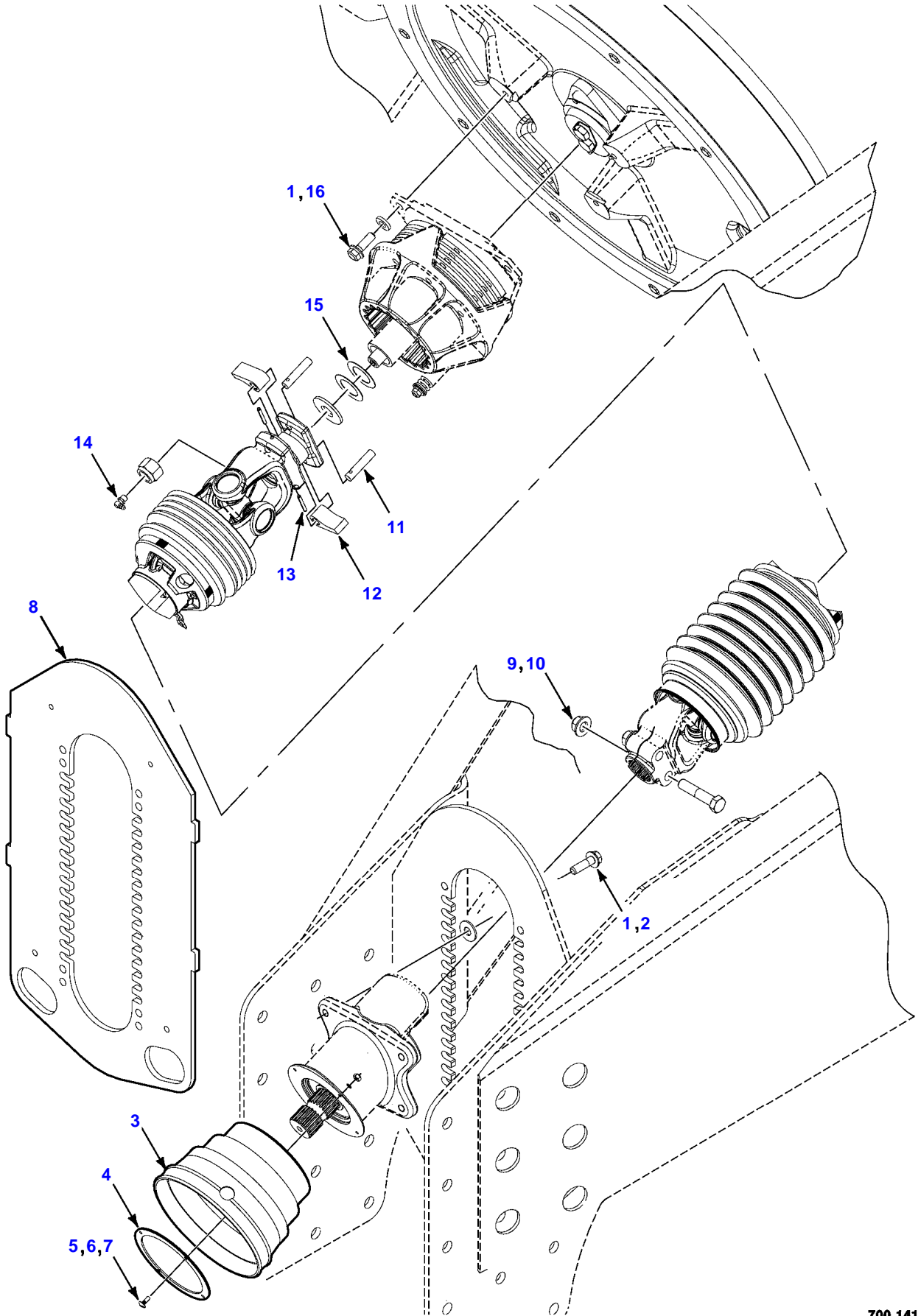


<b>Page Number</b>	<b>Page Title</b>	<b>Page Reference</b>
01-000-TOC	DRIVE SYSTEM	01-000-TOC
02-000-TOC	HYDRAULIC SYSTEM	02-000-TOC
03-000-TOC	ELECTRICAL SYSTEM	03-000-TOC
04-000-TOC	BALE FEEDING SYSTEM	04-000-TOC
05-000-TOC	BALE FORMING SYSTEM	05-000-TOC
06-000-TOC	BALE EJECTING SYSTEM	06-000-TOC
07-000-TOC	CHASSIS	07-000-TOC
08-000-TOC	DECALS	08-000-TOC
09-000-TOC	AXLES, SPINDLES, AND WHEELS	09-000-TOC
10-000-TOC	BRAKE SYSTEM	10-000-TOC
11-000-TOC	ACCESSORIES	11-000-TOC

Page Number	Page Title	Page Reference
01-001	MAIN DRIVE	T12G13J15C0002
01-002	CLUTCH - FLYWHEEL	T12G13J15C0003
01-003	DRIVE SHAFT	T12G13J15C0004
01-004	SECONDARY DRIVE SHAFT	T12G13J15C0005
01-005	PRIMARY DRIVE SHAFT - CE 1-3/8 INCH X 21 SPLINE S/N HUA3101 - AHB01100	T12G13J15C0006
01-006	PRIMARY DRIVE SHAFT - CE 1-3/4 INCH X 20 SPLINE S/N HUA3101 - AHB01100	T12G13J15C0007
01-007	PRIMARY DRIVE SHAFT - CE 1-3/8 INCH X 21 SPLINE S/N AHB01101 AND LATER	T12G13J15C0008
01-008	PRIMARY DRIVE SHAFT - CE 1-3/4 INCH X 20 SPLINE S/N AHB01101 AND LATER	T12G13J15C0009
01-009	BRAKE - FLYWHEEL	T12G13J15C0010
01-010	MOUNTING - FLYWHEEL	T12G13J15C0011
01-011	MOUNTING - GEARBOX	T12G13J15C0012
01-012	GEARBOX ASSEMBLY S/N HUA3101 - CHB01100	T12G13J15C0013
01-013	GEARBOX ASSEMBLY S/N CHB01101 AND LATER	T12G13J15C0014
01-014	AUXILIARY DRIVE - LEFT HAND S/N HUA3101 - BHB01100	T12G13J15C0015
01-015	AUXILIARY DRIVE - LEFT HAND S/N BHB01101 AND LATER	T12G13J15C0016
01-016	AUXILIARY DRIVE - RIGHT HAND	T12G13J15C0017
01-017	SHAFT AND SPROCKET - AUXILIARY	T12G13J15C0018
01-018	SLIP CLUTCH - AUXILIARY	T12G13J15C0019
01-019	DRIVE - CUTTER	T12G13J15C0020
01-020	GEARBOX ASSEMBLY - CUTTER	T12G13J15C0021
01-021	SLIP CLUTCH - CUTTER	T12G13J15C0022

# 870 LARGE RECTANGULAR BALER MAIN DRIVE



**<https://www.ebooklibonline.com>**

Hello dear friend!

Thank you very much for reading.

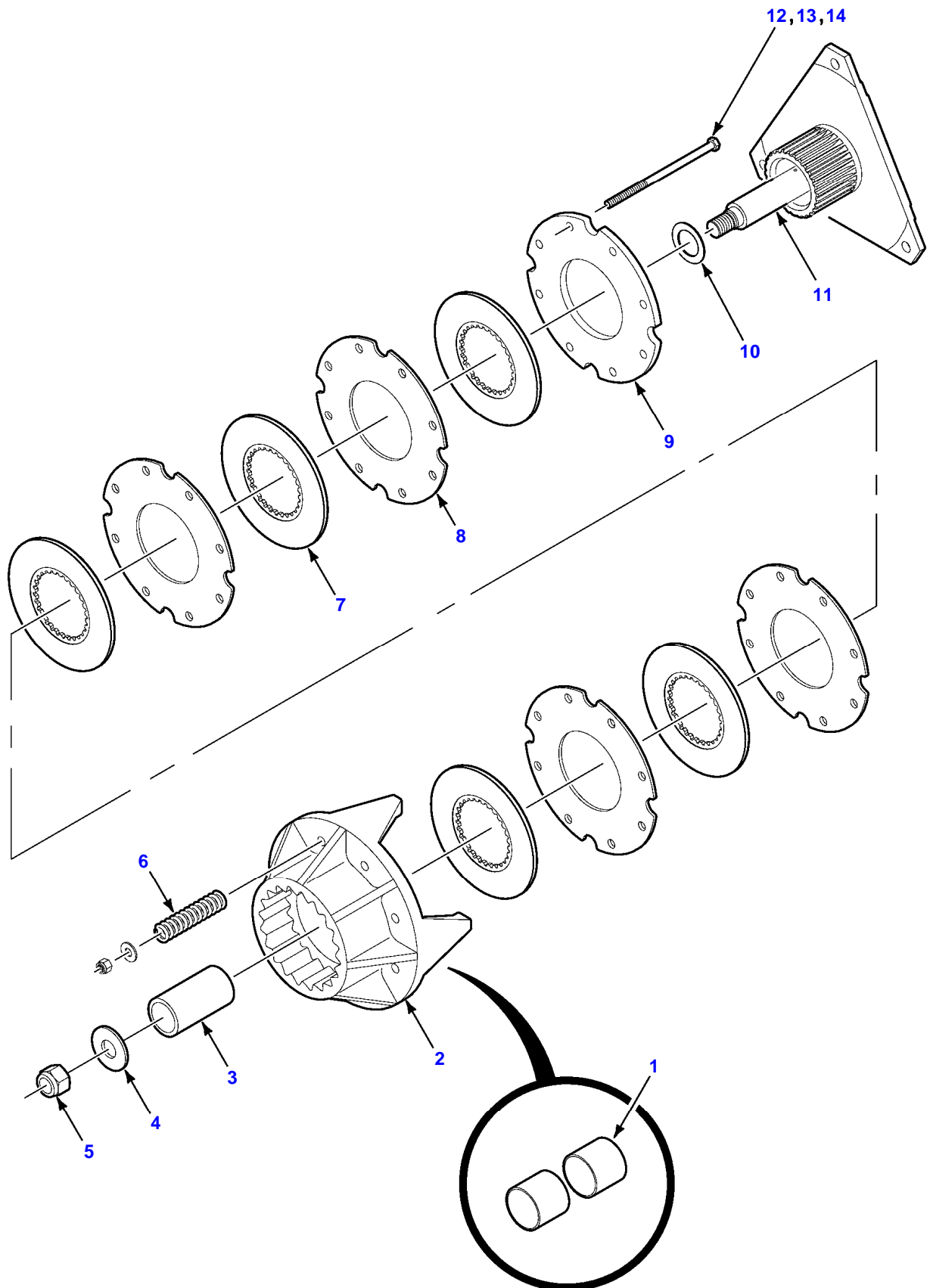
Enter the link into your browser.

The full manual is available for immediate download.

**<https://www.ebooklibonline.com>**

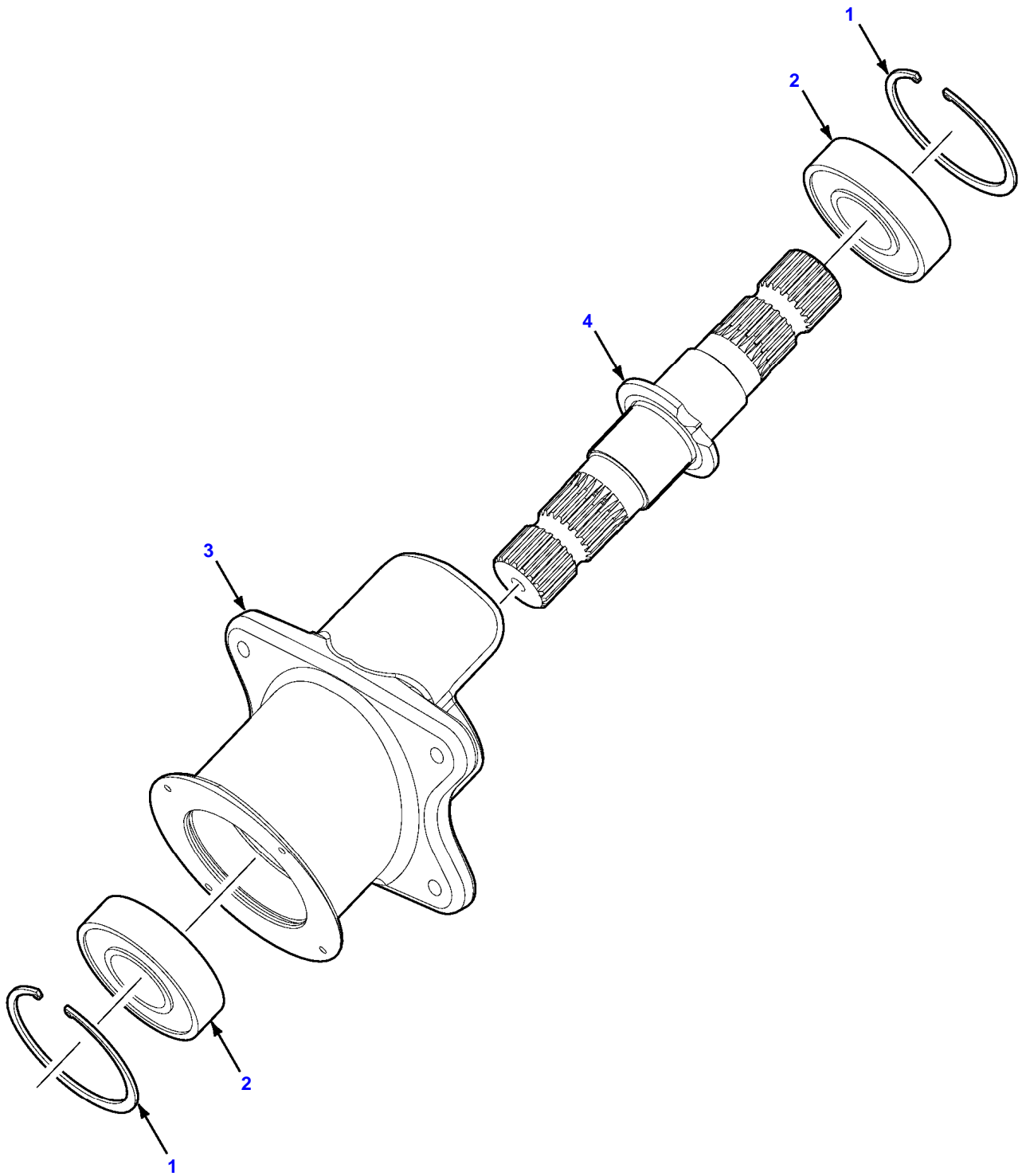
Item	Part Number	Qty	Description Comments	Technical Specification
1	8701237	7	HEXAGON FLANGE HEAD BOLT	1/2-13 X 1-1/2 GR8
2	700711557	4	FLAT WASHER	1/2
3	700729081	1	CONE GUARD	
4	700143340	1	MOUNTING FLANGE	
5	700737790	4	BOLT	RIBBED NECK #12-24X.75
6	7705692	4	FLAT WASHER	#12
7	700705521	4	SPECIAL LOCKNUT	#12-24
8	700141617	1	MOUNTING PLATE S/N HUA3101 - CHB01100	
9	700708270	2	HEXAGON HEAD BOLT	5/8"-11 X 3
10	700711198	2	FLANGE LOCKNUT	5/8/-11
11	700113037	2	PAWL PIN	
12	700113036	2	CLUTCH PAWL	
13	Z63396	2	ROLL PIN	3/16" X 1-1/2
14	77115	1	GREASE FITTING	
15	6522932	2	CLUTCH SHIM	
16	705541	3	FLAT WASHER	1/2

# 870 LARGE RECTANGULAR BALER CLUTCH - FLYWHEEL



Item	Part Number	Qty	Description Comments	Technical Specification
1	7852114	2	BRONZE BUSHING	
2	700164637	1	CLUTCH HOUSING	
	7852114	2	BRONZE BUSHING	
3	6350805	1	TUBE	3-3/4 X 2" OD
4	76521	1	FLAT WASHER	NON-PLATED, 7/8
5	700707250	1	STOP NUT	7/8-14
6	858019	8	COMPRESSION SPRING	
7	700108820	5	FRICION DISC	
8	700112903	4	CLUTCH PLATE	
9	6522866	1	CLUTCH PLATE	
10	Z52274	1	WASHER	
11	700141153	1	CLUTCH PILOT	
12	700732562	8	HEX BOLT	3/8-16 X 7-1/2
13	700709603	8	FLAT WASHER	3/8 INCH
14	704734	8	FLANGE LOCKNUT	3/8-16

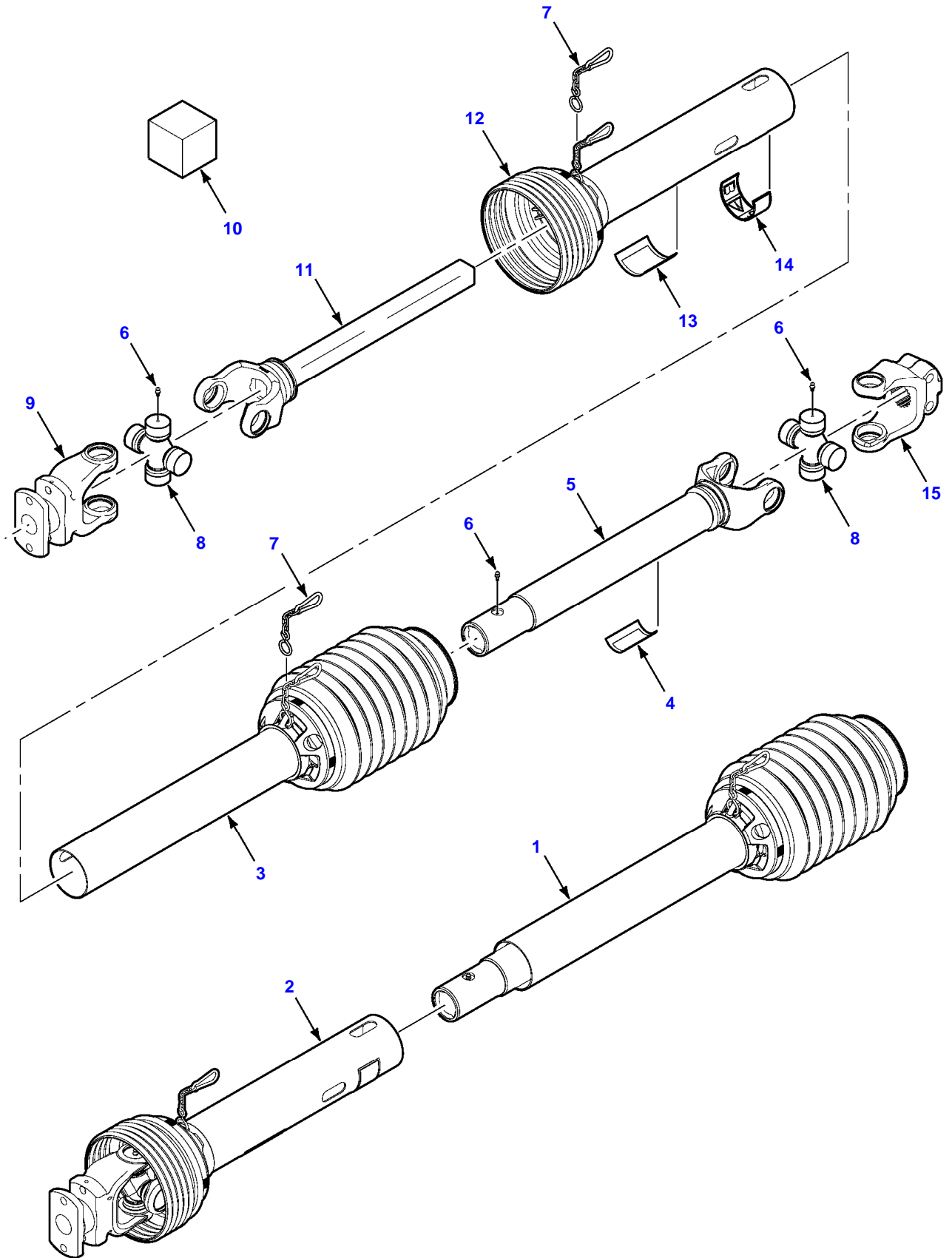
# 870 LARGE RECTANGULAR BALER DRIVE SHAFT



---

Item	Part Number	Qty	Description Comments	Technical Specification
1	8052326	2	RETAINING RING	
2	700721594	2	CYLINDRICAL BEARING	1.7715" ID
3	700734696	1	SUPPORT	
4	700174791	1	DRIVE SHAFT	

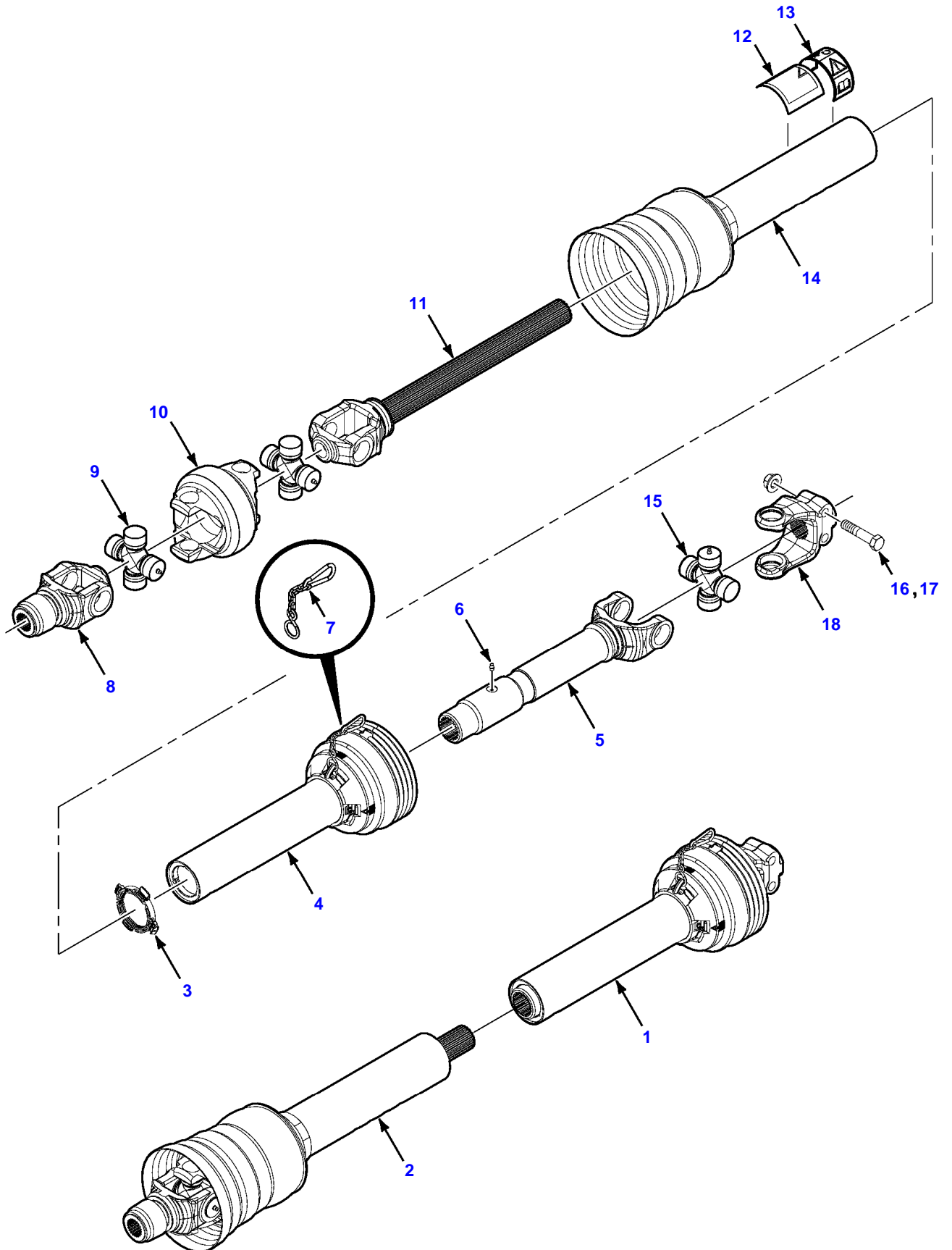
# 870 LARGE RECTANGULAR BALER SECONDARY DRIVE SHAFT



Item	Part Number	Qty	Description Comments	Technical Specification
1	700724125	1	DRIVELINE	
2	700724123	1	DRIVELINE	
3	700724141	1	INNER GUARD	
4	700708583	1	DANGER DECAL, SHIELD MISSING	DANGER
5	700724142	1	YOKE TUBE [A]	
6	77016	3	GREASE FITTING	1/4-28 IN
7	700720152	2	CHAIN KIT	
8	700724136	2	CROSS AND BEARING KIT	
	Z77016	1	GREASE FITTING	1/4-28
9	700706955	1	YOKE	
	7711799	1	CYLINDRICAL BEARING	
	700706956	1	BEARING	
	7052798	1	RETAINING RING	
	77107	1	GREASE FITTING	
10	700723268	1	NYLON BUSHING	
11	700724137	1	YOKE SHAFT	
12	700724140	1	OUTER GUARD [A]	
13	700707960	1	DECAL	
14	700728658	1	WARNING DECAL, CE	
15	700721794	1	YOKE	

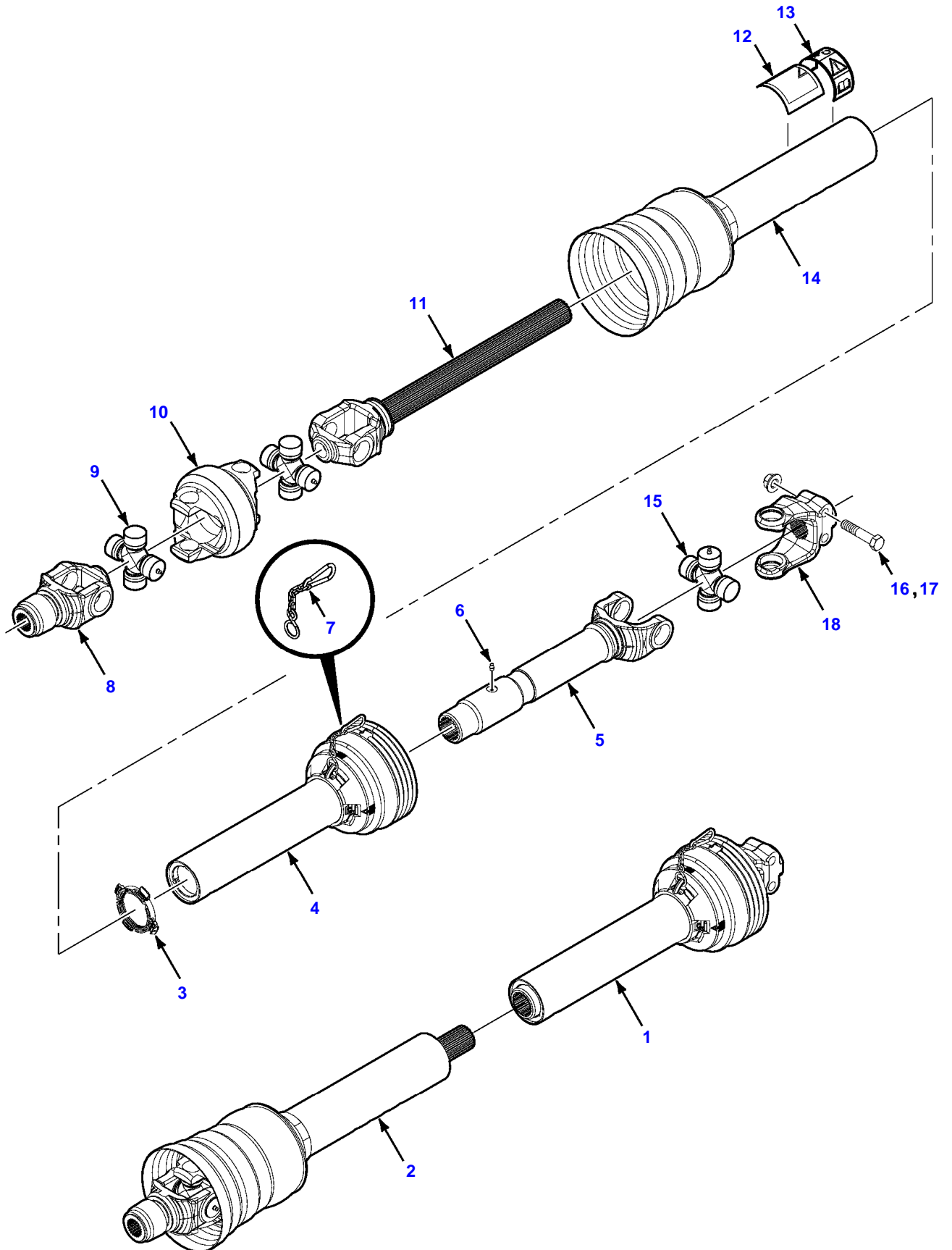
[A] THE APPROPRIATE SAFETY DECALS MUST BE ORDERED AND FITTED TO THIS PART

# 870 LARGE RECTANGULAR BALER PRIMARY DRIVE SHAFT - CE



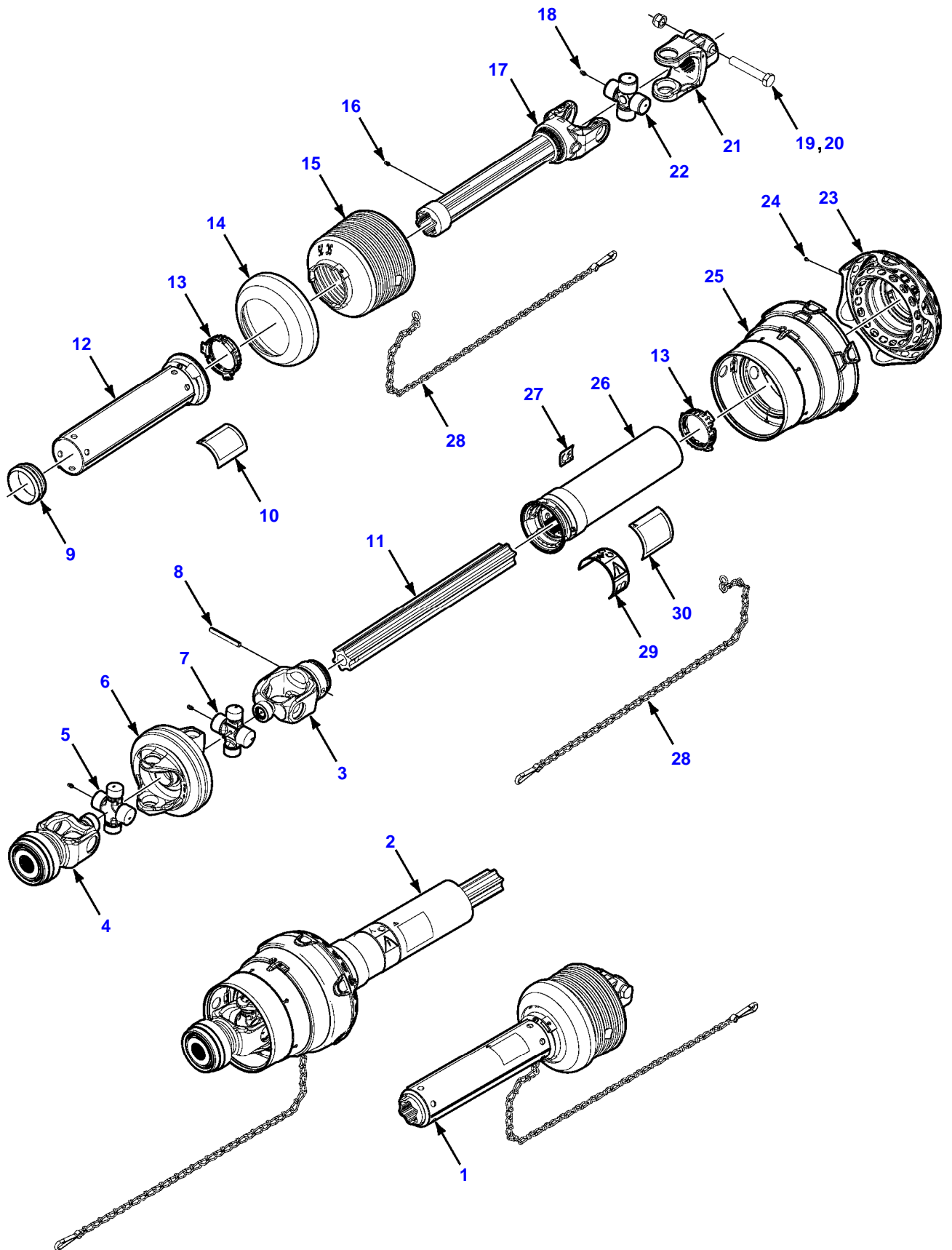
Item	Part Number	Qty	Description Comments	Technical Specification
			<b>1-3/8 INCH X 21 SPLINE S/N HUA3101 - AHB01100</b>	
1	700728942	1	DRIVELINE	
2	700728940	1	DRIVELINE	
3	700723268	2	NYLON BUSHING	
4	700728950	1	INNER GUARD	
5	700728951	1	YOKE	
			[A]	
6	77016	1	GREASE FITTING	1/4-28 IN
7	700729055	2	CHAIN KIT	
8	700728943	1	YOKE	
	700720122	1	AUTO LOCK REPAIR KIT	
9	700728945	2	CROSS AND BEARING KIT	
	77016	1	GREASE FITTING	1/4-28 IN
10	700728946	1	HOUSING	
11	700728947	1	YOKE SHAFT	
12	700707960	1	DECAL	
13	700728658	1	WARNING DECAL, CE	
14	700728948	1	OUTER GUARD	
			[A]	
15	700724136	1	CROSS AND BEARING KIT	
	Z77016	1	GREASE FITTING	1/4-28
16	700708270	2	HEXAGON HEAD BOLT	5/8"-11 X 3
17	700711198	2	FLANGE LOCKNUT	5/8/-11
18	700721794	1	YOKE	
			<b>[A] THE APPROPRIATE SAFETY DECALS MUST BE ORDERED AND FITTED TO THIS PART</b>	

# 870 LARGE RECTANGULAR BALER PRIMARY DRIVE SHAFT - CE



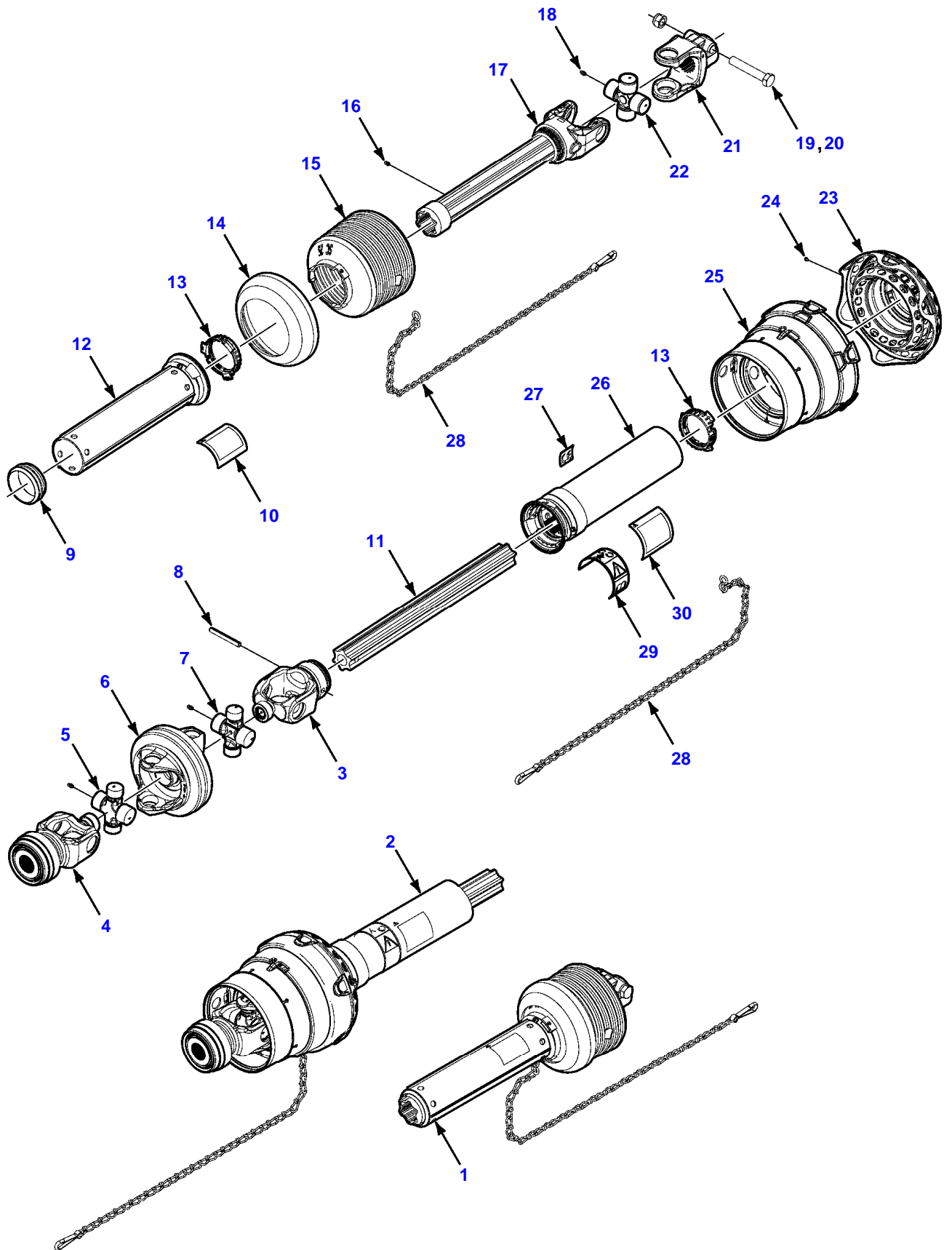
Item	Part Number	Qty	Description Comments	Technical Specification
			<b>1-3/4 INCH X 20 SPLINE S/N HUA3101 - AHB01100</b>	
1	700728942	1	DRIVELINE	
2	700728941	1	DRIVELINE	
3	700723268	2	NYLON BUSHING	
4	700728950	1	INNER GUARD	
5	700728951	1	YOKE	
			[A]	
6	77016	1	GREASE FITTING	1/4-28 IN
7	700729055	2	CHAIN KIT	
8	700728944	1	YOKE	TYPE 3
	700711425	1	REPAIR KIT	20 SPLINE 1000RPM
9	700728945	2	CROSS AND BEARING KIT	
	77016	1	GREASE FITTING	1/4-28 IN
10	700728946	1	HOUSING	
11	700728947	1	YOKE SHAFT	
12	700707960	1	DECAL	
13	700728658	1	WARNING DECAL, CE	
14	700728948	1	OUTER GUARD	
			[A]	
15	700724136	1	CROSS AND BEARING KIT	
	Z77016	1	GREASE FITTING	1/4-28
16	700708270	2	HEXAGON HEAD BOLT	5/8"-11 X 3
17	700711198	2	FLANGE LOCKNUT	5/8/-11
18	700721794	1	YOKE	
			<b>[A] THE APPROPRIATE SAFETY DECALS MUST BE ORDERED AND FITTED TO THIS PART</b>	

# 870 LARGE RECTANGULAR BALER PRIMARY DRIVE SHAFT - CE



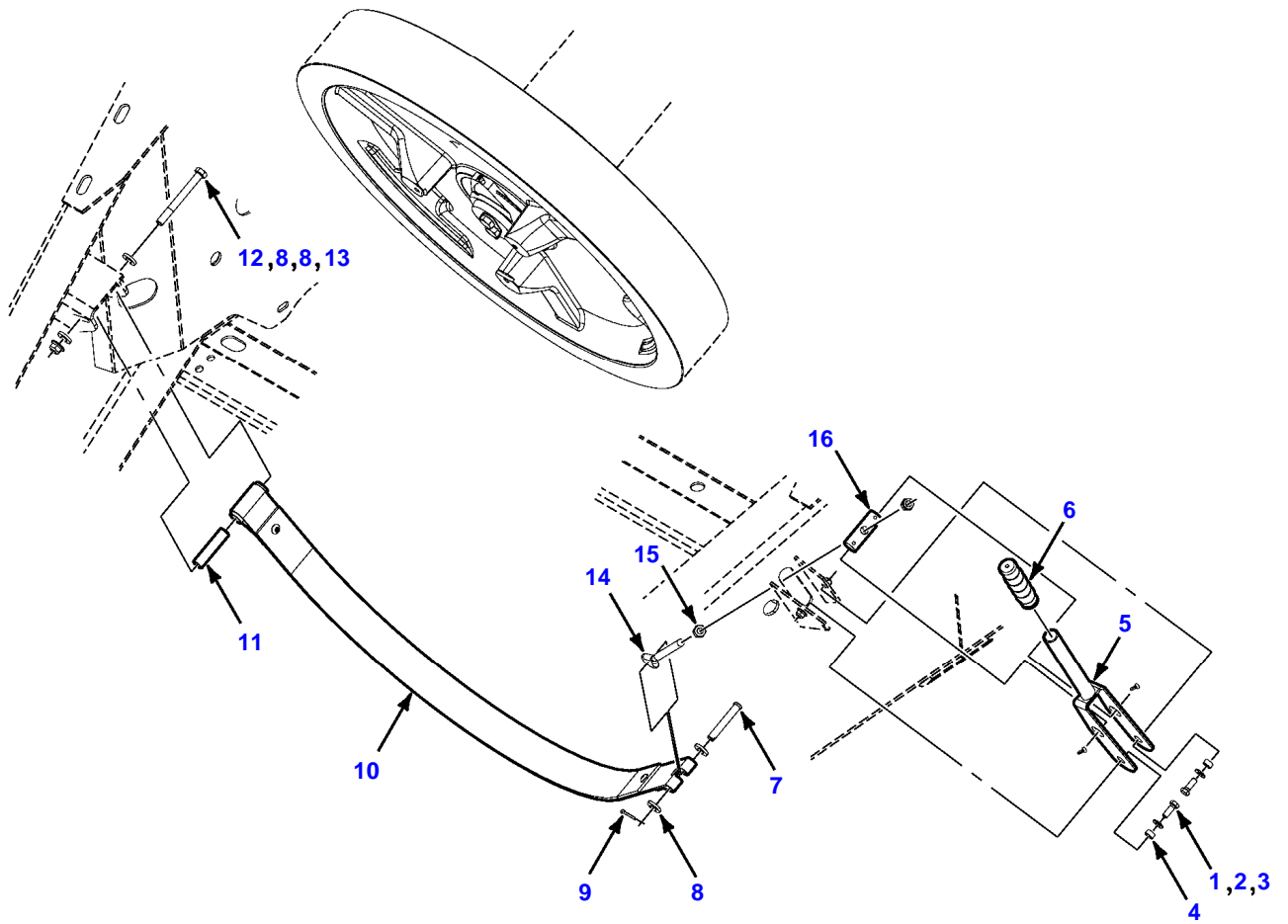
Item	Part Number	Qty	Description Comments	Technical Specification
			<b>1-3/8 INCH X 21 SPLINE S/N AHB01101 AND LATER</b>	
1	700737113	1	UNIVERSAL JOINT	
2	700735106	1	DRIVELINE	
3	700735112	1	YOKE	
4	700735109	1	YOKE	1-3/8 21 SPLINE
	700735126	1	REPAIR KIT	LOCK
5	700735113	1	CROSS AND BEARING KIT	CROSS AND BEARING
6	700735110	1	DOUBLE YOKE	
7	700735111	1	CROSS AND BEARING KIT	CROSS AND BEARING
8	763847	1	SPRING PIN	10 X 75 MM
9	700735123	1	BEARING BRACKET	
10	700708583	1	DANGER DECAL, SHIELD MISSING	DANGER
11	700735114	1	INNER PROFILE SHAFT	
12	700737117	1	TUBE [A]	
13	8800633	2	BEARING RING	SC25
14	700735124	1	REINFORCING COLLAR	
15	700735122	1	CONE GUARD	
16	700713262	1	GREASE FITTING	1/4-28
17	700737115	1	YOKE	IB (S5G)
18	700735125	3	GREASE FITTING	M6 X 1 IN
19	339182X1	1	HEX CAP SCREW	M16-2.0 X 90-ISO 8.8-ZN
20	1442739X1	1	LOCKNUT	M16-ISO 8-ZN
21	700737116	1	YOKE	
22	700735116	1	CROSS AND BEARING KIT	CROSS AND BEARING
23	700735121	1	GUARD CONE AND FLEX NET	
24	700714614	10	HEXAGON FLANGE HEAD BOLT	
25	700735120	1	CV GUARD/BEARING	
26	700735117	1	GUARD TUBE AND CAP [A]	
27	700735129	1	DECAL, CE MARK	
28	71382485	2	SAFETY CHAIN	
29	700728658	1	WARNING DECAL, CE	
30	700707960	1	DECAL	
			<b>[A] THE APPROPRIATE SAFETY DECALS MUST BE ORDERED AND FITTED TO THIS PART</b>	

# 870 LARGE RECTANGULAR BALER PRIMARY DRIVE SHAFT - CE



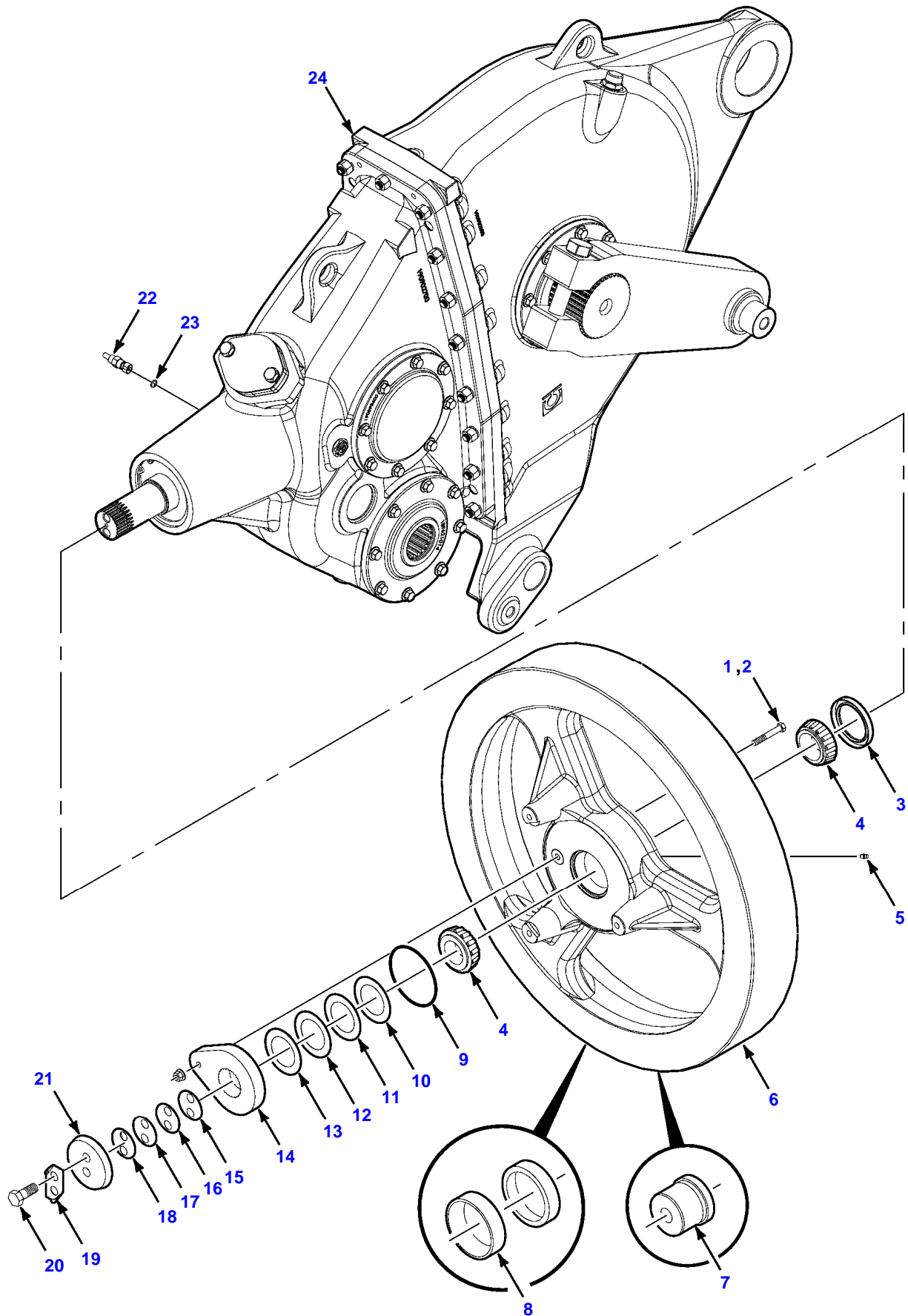
Item	Part Number	Qty	Description Comments	Technical Specification
			<b>1-3/4 INCH X 20 SPLINE S/N AHB01101 AND LATER</b>	
1	700737113	1	UNIVERSAL JOINT	
2	700735108	1	DRIVELINE	
3	700735112	1	YOKE	
4	700735127	1	YOKE	1-3/4 20 SPLINE
	700735128	1	REPAIR KIT	LOCK
5	700735113	1	CROSS AND BEARING KIT	CROSS AND BEARING
6	700735110	1	DOUBLE YOKE	
7	700735111	1	CROSS AND BEARING KIT	CROSS AND BEARING
8	763847	1	SPRING PIN	10 X 75 MM
9	700735123	1	BEARING BRACKET	
10	700708583	1	DANGER DECAL, SHIELD MISSING	DANGER
11	700735114	1	INNER PROFILE SHAFT	
12	700737117	1	TUBE [A]	
13	8800633	2	BEARING RING	SC25
14	700735124	1	REINFORCING COLLAR	
15	700735122	1	CONE GUARD	
16	700713262	1	GREASE FITTING	1/4-28
17	700737115	1	YOKE	IB (S5G)
18	700735125	3	GREASE FITTING	M6 X 1 IN
19	339182X1	1	HEX CAP SCREW	M16-2.0 X 90-ISO 8.8-ZN
20	1442739X1	1	LOCKNUT	M16-ISO 8-ZN
21	700737116	1	YOKE	
22	700735116	1	CROSS AND BEARING KIT	CROSS AND BEARING
23	700735121	1	GUARD CONE AND FLEX NET	
24	700714614	10	HEXAGON FLANGE HEAD BOLT	
25	700735120	1	CV GUARD/BEARING	
26	700735117	1	GUARD TUBE AND CAP [A]	
27	700735129	1	DECAL, CE MARK	
28	71382485	2	SAFETY CHAIN	
29	700728658	1	WARNING DECAL, CE	
30	700707960	1	DECAL	
			<b>[A] THE APPROPRIATE SAFETY DECALS MUST BE ORDERED AND FITTED TO THIS PART</b>	

# 870 LARGE RECTANGULAR BALER BRAKE - FLYWHEEL



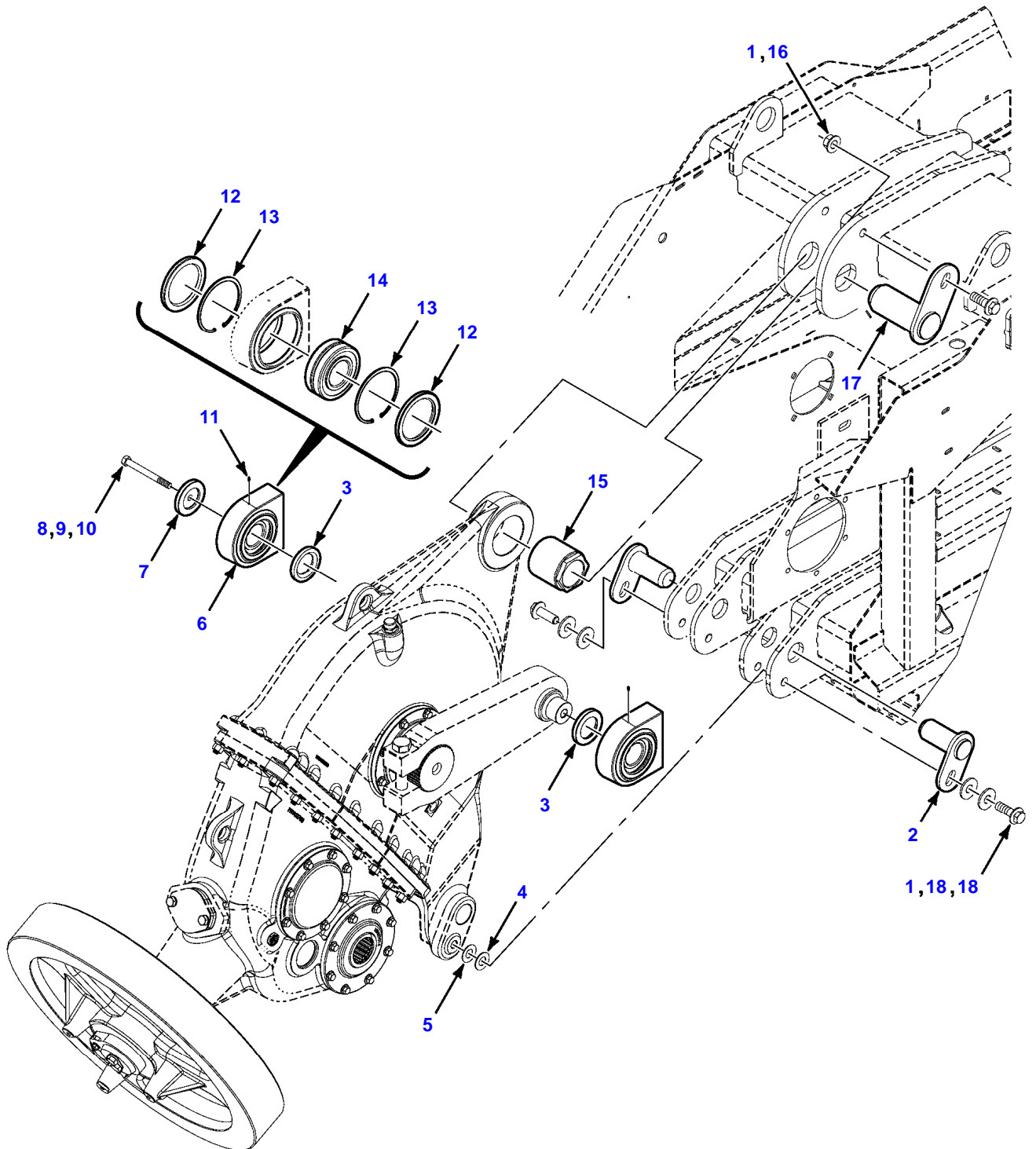
Item	Part Number	Qty	Description Comments	Technical Specification
1	703249	2	HEXAGON HEAD BOLT	3/8-16 X 1.00 GRADE 5
2	705533	2	FLAT WASHER	3/8 INCH
3	704734	2	FLANGE LOCKNUT	3/8-16
4	6489231	2	SPACER	10.34MM ID X 15.88MM OD X 8MM
5	700113054	1	HANDLE	
6	27342	1	HANDLE	
7	63883	1	CLIP	1/2 X 3
8	705541	4	FLAT WASHER	1/2
9	62174	1	PIN	5/32 X 1
10	700123832	1	BRAKE	
11	6524003	1	SPACER	
12	703223	1	HEXAGON HEAD BOLT	1/2"-13 X 4-1/2
13	704742	1	FLANGE LOCKNUT	1/2-13
14	766667	1	EYEBOLT	1/2-13 X 10"
15	7704752	2	HEX NUT	1/2-13
16	700113057	1	BRAKE PIN	

# 870 LARGE RECTANGULAR BALER MOUNTING - FLYWHEEL



Item	Part Number	Qty	Description Comments	Technical Specification
1	7701899	1	HEXAGON HEAD BOLT	3/8-16 X 2-1/2
2	704734	1	FLANGE LOCKNUT	3/8-16
3	700710382	1	OIL SEAL	
4	714634	2	TAPERED BEARING	
5	77016	1	GREASE FITTING	1/4-28 IN
6	700123112	1	FLYWHEEL	
	714626	2	BEARING CUP	
	6855555	1	SHEAR BUSHING	
7	6855555	1	SHEAR BUSHING	
8	714626	2	BEARING CUP	
9	700706050	1	O-RING	4-1/4" ID
10	700710365	-	FLYWHEEL SHIM	0.08/0.003
11	700710366	-	FLYWHEEL SHIM	0.13/0.005
12	700710367	-	FLYWHEEL SHIM	0.25/0.010
13	700710369	-	FLYWHEEL SHIM	0.51/0.020
14	700143208	1	SHEAR HUB	
	700728938	1	PLUNGER SPRING	
15	700710394	-	FLYWHEEL HEX SHIM	0.08/0.003
16	700710395	-	FLYWHEEL HEX SHIM	0.13/0.005
17	700710396	-	FLYWHEEL HEX SHIM	0.25/0.010
18	700710397	-	FLYWHEEL HEX SHIM	0.51/0.020
19	700113045	1	LOCKING PLATE	
20	700708355	2	HEXAGON HEAD BOLT	M16 X 40 (2.0)
21	700113044	1	RETAINER CAP	
22	71393718	1	OIL TEMPERATURE SENSOR	
23	7040330	1	O-RING	0.414 ID
24	700723442	1	GEARBOX	

# 870 LARGE RECTANGULAR BALER MOUNTING - GEARBOX





**Suggest:**

**For more complete manuals. Please go to the home page.**

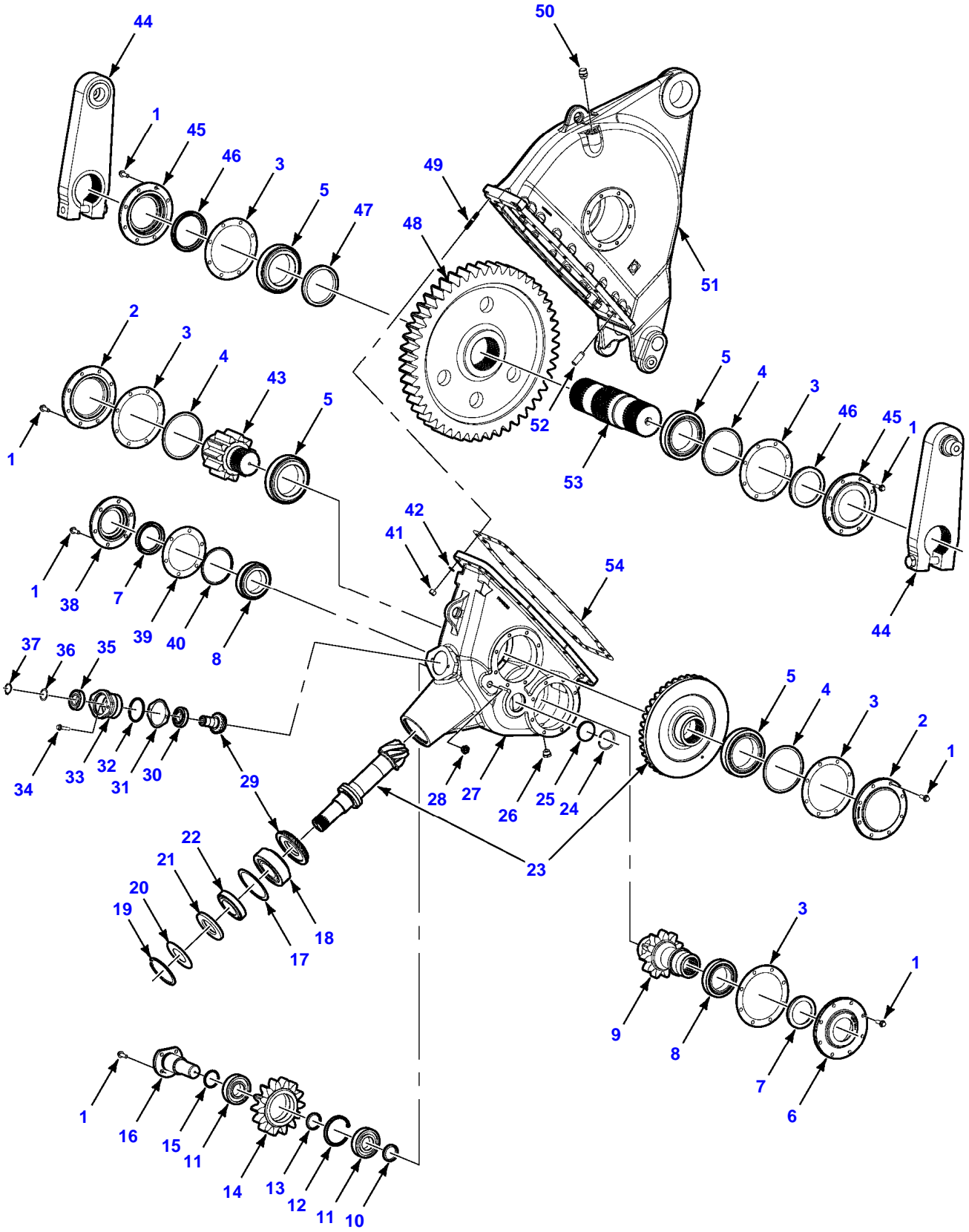
**<https://www.ebooklibonline.com>**

**If the above button click is invalid. Please download this document first, and then click the above link to download the complete manual.**

**Thank you so much for reading**

Item	Part Number	Qty	Description Comments	Technical Specification
1	3009256X1	3	CARRIAGE BOLT	M20X60-ISO 10.9-ZN
2	700146842	2	GEARBOX PIN	
3	700123119	2	BEARING SPACER	
4	852608	-	WIDE RIM BUSHING	7/8 X 14, GA
5	700730827	2	WIDE RIM BUSHING	7/8 X 1-3/4 X 18 GA
6	700123120	2	BEARING	
	8744054	2	DUST SEAL	
	8052326	2	RETAINING RING	
	8051005	1	ROLLER BEARING	
7	700123122	1	FLAT WASHER	
8	703660	1	HEXAGON HEAD BOLT	3/4-10 X 5.00
9	705566	1	FLAT WASHER	3/4 INCH
10	700710072	1	LOCKNUT	3/4-10
11	77016	2	GREASE FITTING	1/4-28 IN
12	8744054	2	DUST SEAL	
13	8052326	2	RETAINING RING	
14	8051005	1	ROLLER BEARING	
15	700141086	1	ECCENTRIC GEARBOX	
16	3019128X1	1	NUT	M20-ISO 10-ZN
17	700146152	1	GEARBOX PIN	
18	700711166	4	FLAT WASHER	3/4"

# 870 LARGE RECTANGULAR BALER GEARBOX ASSEMBLY



**<https://www.ebooklibonline.com>**

Hello dear friend!

Thank you very much for reading.

Enter the link into your browser.

The full manual is available for immediate download.

**<https://www.ebooklibonline.com>**