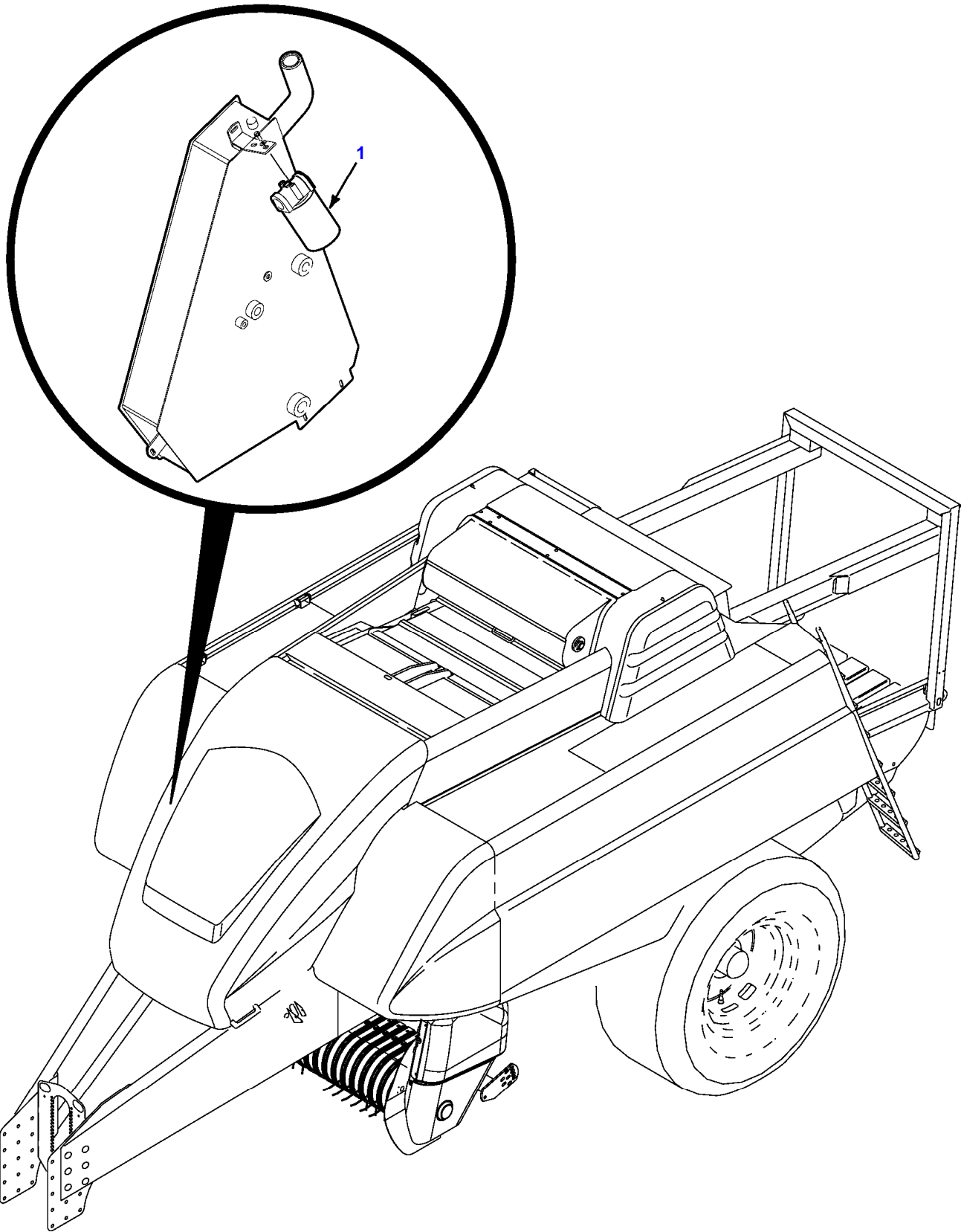


Page Number	Page Title	Page Reference
01-000-TOC	DRIVE SYSTEM	01-000-TOC
02-000-TOC	HYDRAULIC SYSTEM	02-000-TOC
03-000-TOC	ELECTRICAL SYSTEM	03-000-TOC
04-000-TOC	BALE FEEDING SYSTEM	04-000-TOC
05-000-TOC	BALE FORMING SYSTEM	05-000-TOC
06-000-TOC	BALE KNOTTING SYSTEM	06-000-TOC
07-000-TOC	BALE EJECTING SYSTEM	07-000-TOC
08-000-TOC	CHASSIS	08-000-TOC
09-000-TOC	DECALS	09-000-TOC
10-000-TOC	AXLES, SPINDLES, AND WHEELS	10-000-TOC
11-000-TOC	BRAKE SYSTEM	11-000-TOC
12-000-TOC	ACCESSORIES	12-000-TOC

DRIVE SYSTEM

Page Number	Page Title	Page Reference
01-0001	FILTER	1083519
01-0002	MAIN DRIVE	1697805
01-0003	CLUTCH - FLYWHEEL	T13K25K34B0004
01-0004	DRIVE SHAFT	T13K25K34B0005
01-0005	SECONDARY DRIVE SHAFT	T13K25K34B0006
01-0006	PRIMARY DRIVE SHAFT - CE 1-3/8 INCH X 21 SPLINE	T13K25K34B0009
01-0007	PRIMARY DRIVE SHAFT - CE 1-3/4 INCH X 20 SPLINE	T13K25K34B0010
01-0008	BRAKE - FLYWHEEL	T13K25K34B0011
01-0009	MOUNTING - FLYWHEEL	T13K25K34B0012
01-0010	MOUNTING - GEARBOX	T13K25K34B0013
01-0011	GEARBOX ASSEMBLY	T13K25K34B0014
01-0012	AUXILIARY DRIVE - LEFT HAND	T13K25K34B0015
01-0013	AUXILIARY DRIVE - RIGHT HAND PACKER OR CUTTER	T13K25K34B0016
01-0014	SHAFT AND SPROCKET - AUXILIARY	T13K25K34B0017
01-0015	SLIP CLUTCH - AUXILIARY PACKER OR CUTTER	T13K25K34B0018
01-0016	AUXILIARY DRIVE - RIGHT HAND PACKER CUTTER	T13K25K34B0019
01-0017	TENSIONER PACKER CUTTER	T13K25K34B0020
01-0018	SLIP CLUTCH - AUXILIARY PACKER CUTTER	T13K25K34B0021
01-0019	DRIVE - CUTTER	T13K25K34B0022
01-0020	GEARBOX ASSEMBLY - CUTTER	T13K25K34B0023
01-0021	SLIP CLUTCH - CUTTER	T13K25K34B0024
01-0022	CHAIN LUBE PACKER OR PACKER CUTTER	1500023
01-0023	CHAIN LUBE CUTTER ONLY	1500024

870 LARGE RECTANGULAR BALER (EHB01101 - 9999)
FILTER



<https://www.ebooklibonline.com>

Hello dear friend!

Thank you very much for reading.

Enter the link into your browser.

The full manual is available for immediate download.

<https://www.ebooklibonline.com>

Fendt

870 LARGE RECTANGULAR BALER (EHB01101 - 9999)

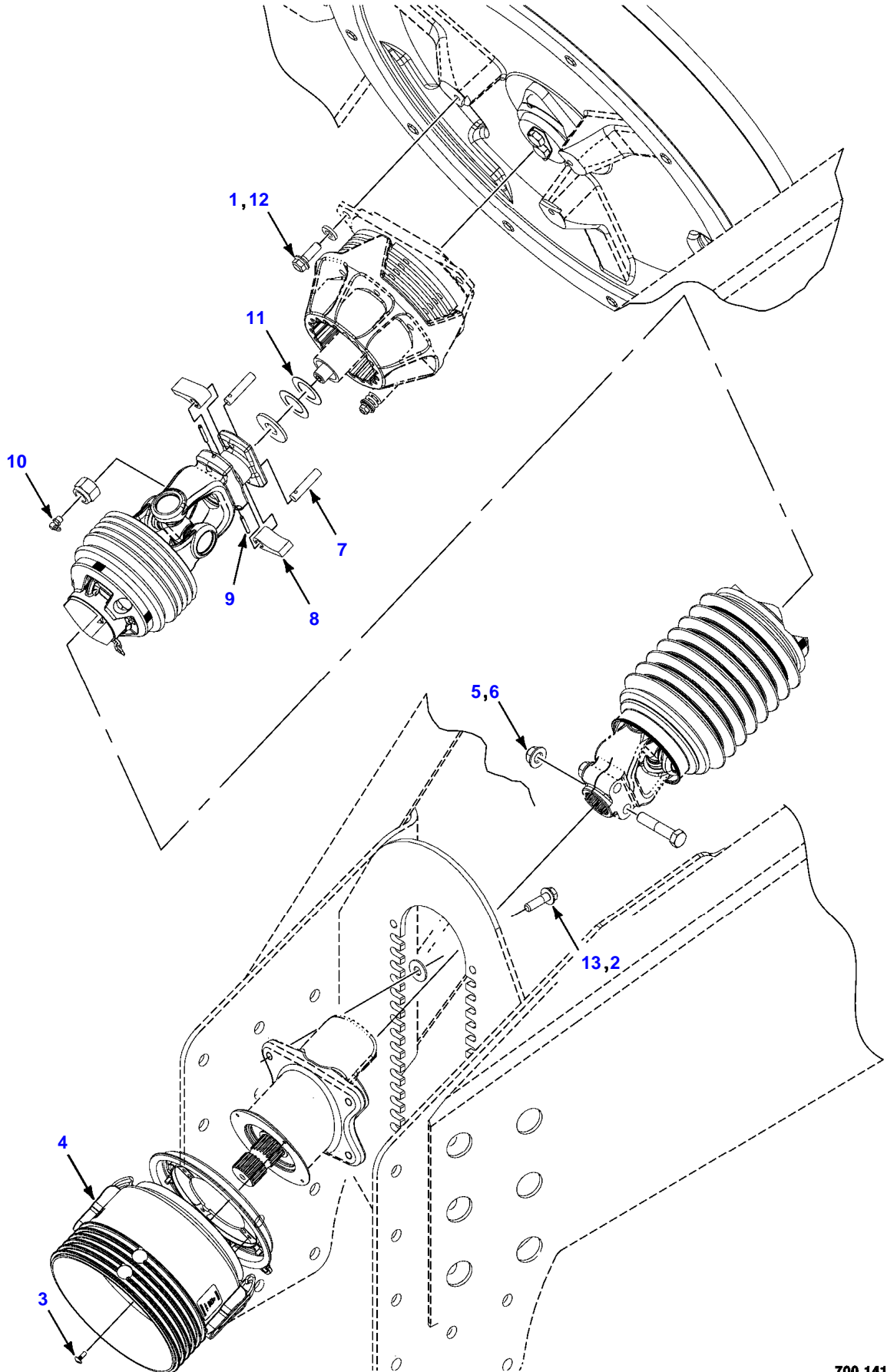
79036425

FILTER

Page01-0001

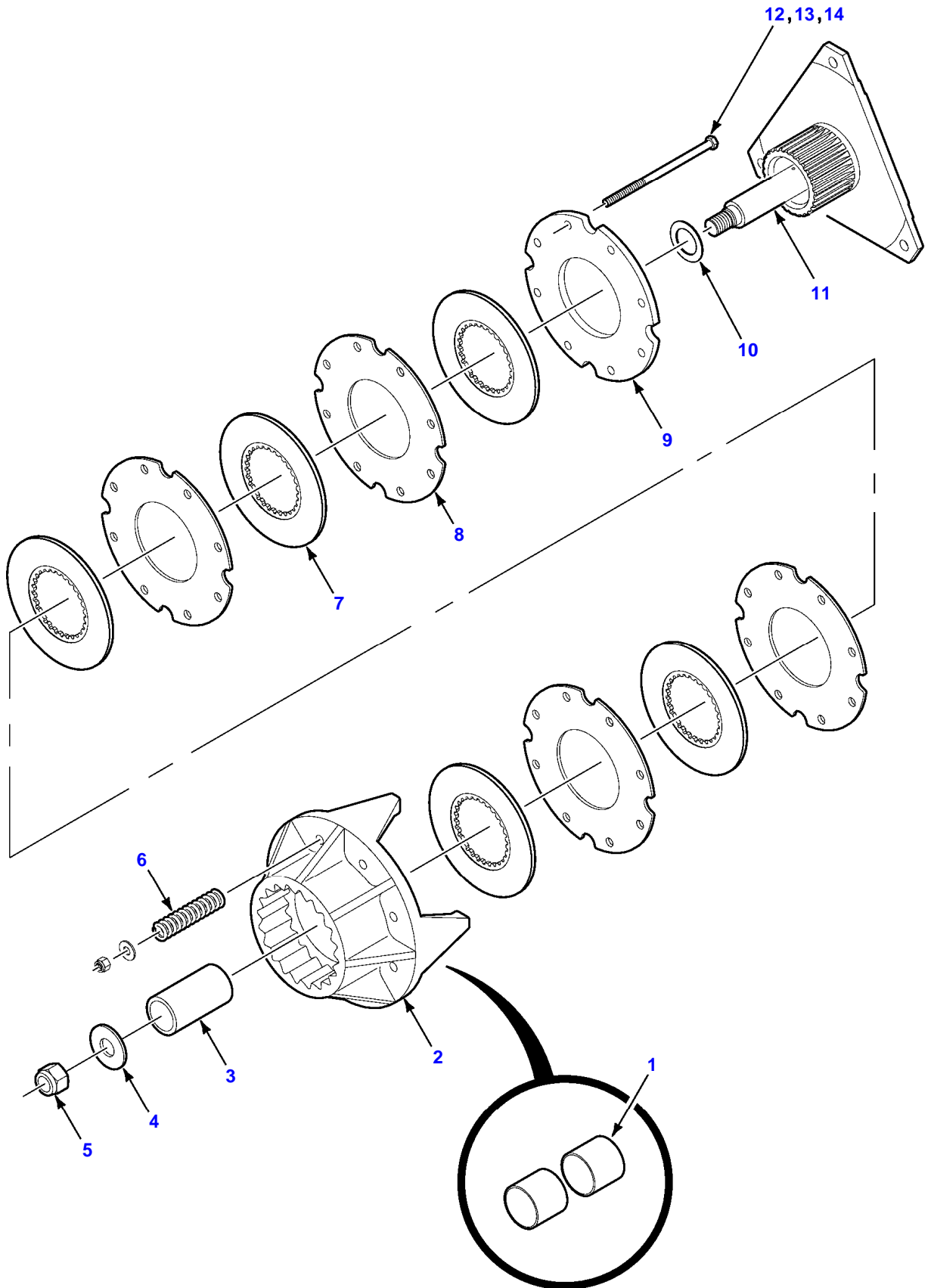
Item	Part Number	Qty	Description Comments
1	700738685	1	FILTER
	700738686	1	FILTER ELEMENT

870 LARGE RECTANGULAR BALER (EHB01101 - 9999)
MAIN DRIVE



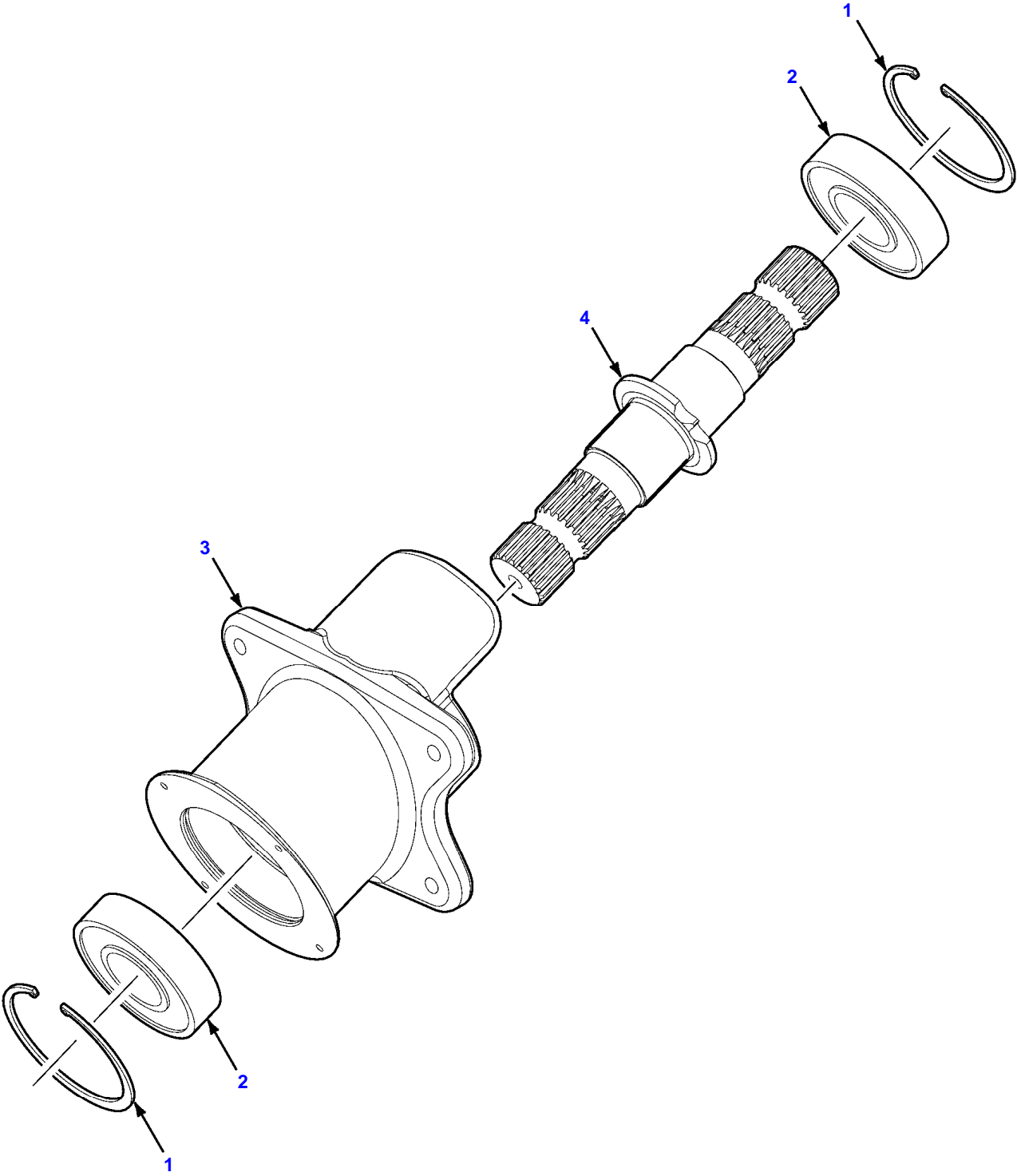
Item	Part Number	Qty	Description Comments	Technical Specification
1	8701237	3	HEX FLANGE HEAD BOLT	1/2"-13 X 1-1/2", GR8
2	700711557	4	FLAT WASHER	1/2"
3	3012141X1	4	HEX FLANGE HEAD BOLT	M6 X 1.0 X 16MM, CL8.8
4	700744199	1	CONE SHIELD	
5	700708270	2	HEX HEAD BOLT	5/8"-11 X 3", GR8
6	700711198	2	HEX FLANGE LOCKNUT	5/8"-11, GRG
7	700113037	2	PAWL PIN	
8	700113036	2	CLUTCH PAWL	
9	Z63396	2	SPLIT PIN	3/16" X 1-1/2"
10	Z77115	1	GREASE FITTING	1/8"-27, 90D
11	6522932	2	CLUTCH SHIM	1-13/32" ID X 2-1/4" OD
12	705541	3	FLAT WASHER	1/2"
13	3009222X1	4	HEX FLANGE HEAD BOLT	M12 X 1.75 X 40MM, CL10.9, ZN

870 LARGE RECTANGULAR BALER (EHB01101 - 9999)
CLUTCH - FLYWHEEL



Item	Part Number	Qty	Description Comments	Technical Specification
1	7852114	2	BUSHING	1-1/2" ID X 1-3/8", BRONZE
2	700164637	1	CLUTCH HOUSING	
	7852114	2	BUSHING	1-1/2" ID X 1-3/8", BRONZE
3	6350805	1	HEADER PICKUP TUBE	2" OD X 3-3/4"
4	76521	1	FLAT WASHER	NON-PLATED, 7/8
5	700707250	1	HEX NUT	7/8"-14
6	858019	8	COMPRESSION SPRING	
7	700108820	5	FRICTION DISC	6-7/8" DIA
8	700112903	4	CLUTCH PLATE	
9	6522866	1	CLUTCH PLATE	
10	Z52274	1	MACHINERY BUSHING	1-3/8" X 14GA
11	700193077	1	CLUTCH PILOT	
12	700732562	8	HEX HEAD BOLT	3/8"-16 X 7-1/2", GR5
13	700709603	8	FLAT WASHER	3/8"
14	704734	8	HEX FLANGE LOCKNUT	3/8"-16

870 LARGE RECTANGULAR BALER (EHB01101 - 9999)
DRIVE SHAFT



Fendt

870 LARGE RECTANGULAR BALER (EHB01101 - 9999)

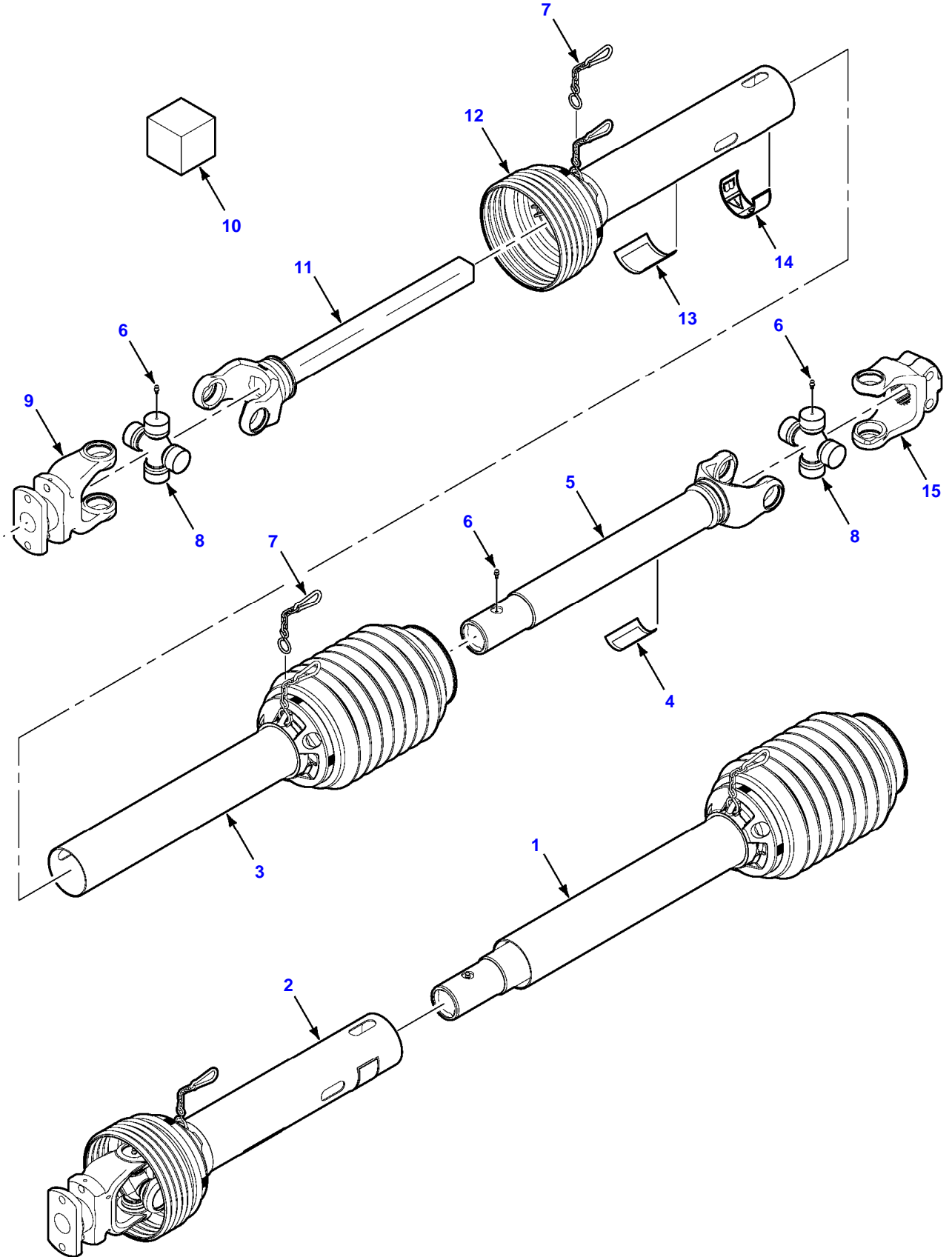
79036425

DRIVE SHAFT

Page01-0004

Item	Part Number	Qty	Description Comments	Technical Specification
1	8052326	2	RETAINING RING	101MM OD
2	700721594	2	BALL BEARING	45 X 100 X 25MM
3	700734696	1	SUPPORT	
4	700174791	1	DRIVE SHAFT	

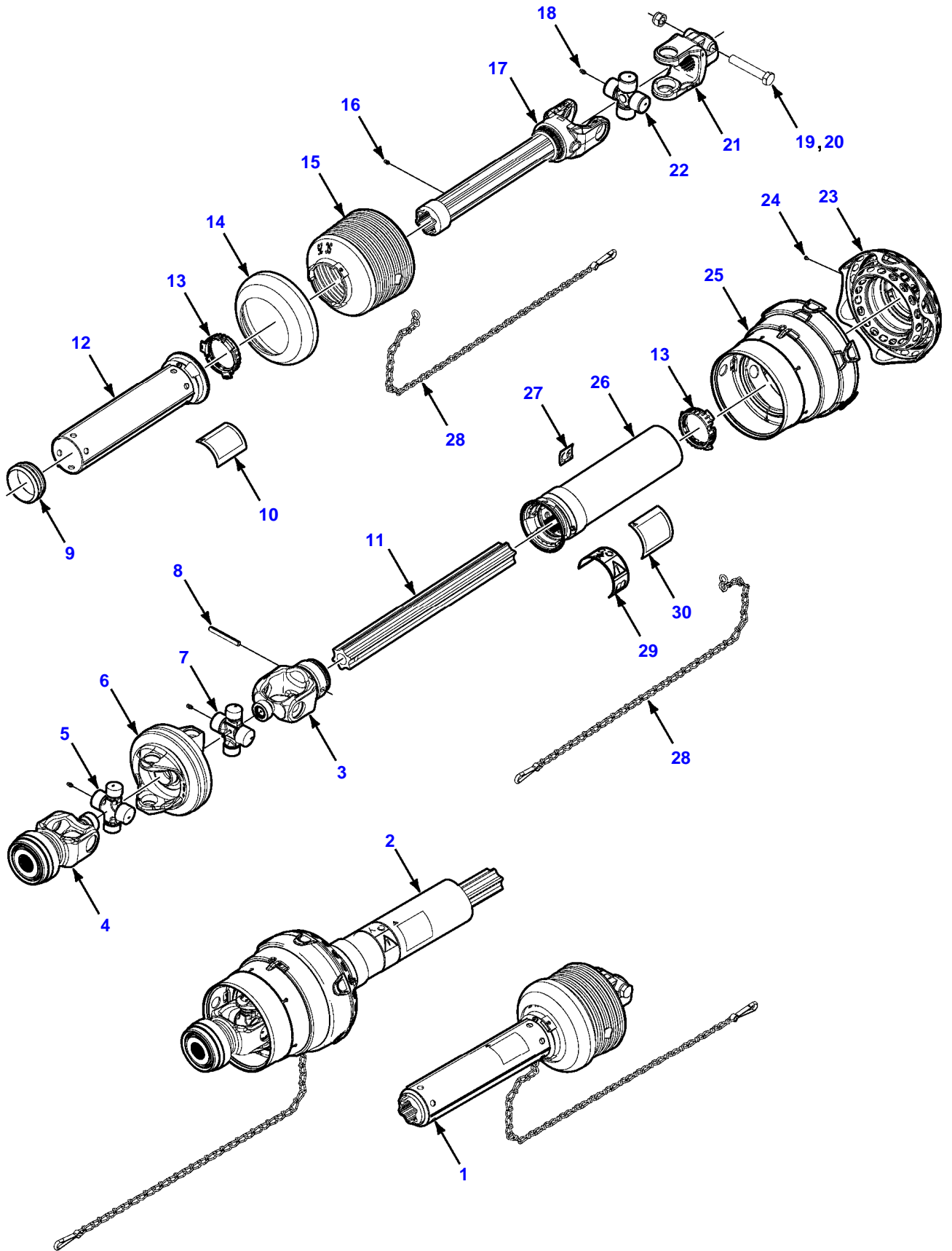
870 LARGE RECTANGULAR BALER (EHB01101 - 9999)
SECONDARY DRIVE SHAFT



Item	Part Number	Qty	Description Comments	Technical Specification
1	700724125	1	PTO HALF SHAFT	
2	700724123	1	PTO HALF SHAFT	
3	700724141	1	DRIVE SHAFT SAFETY GUARD	
4	700747136	1	DANGER DECAL, SHIELD MISSING	127MM X 87MM
5	700724142	1	YOKE TUBE [A]	
6	Z77016	3	GREASE FITTING	1/4"-28
7	700720152	2	CHAIN KIT	
8	700724136	2	CROSS AND BEARING KIT	39MM DIA CAP, 109MM OL
	Z77016	1	GREASE FITTING	1/4"-28
9	700706955	1	YOKE	
	7711799	1	CYLINDRICAL BEARING	
	700706956	1	BUSHING	35MM X 41MM X 32MM, BRONZE
	7052798	1	RETAINING RING	52.17MM
	Z77107	1	GREASE FITTING	1/8"-27, 65D
10	700723268	2	GUARD BUSHING KIT	NYLON
11	700724137	1	YOKE SHAFT	
12	700724140	1	DRIVE SHAFT SAFETY GUARD [A]	
13	700747135	1	DANGER DECAL, ROTATING DRIVELINE	134MM X 95MM
14	700746100	1	WARNING DECAL	
15	700721794	1	YOKE	

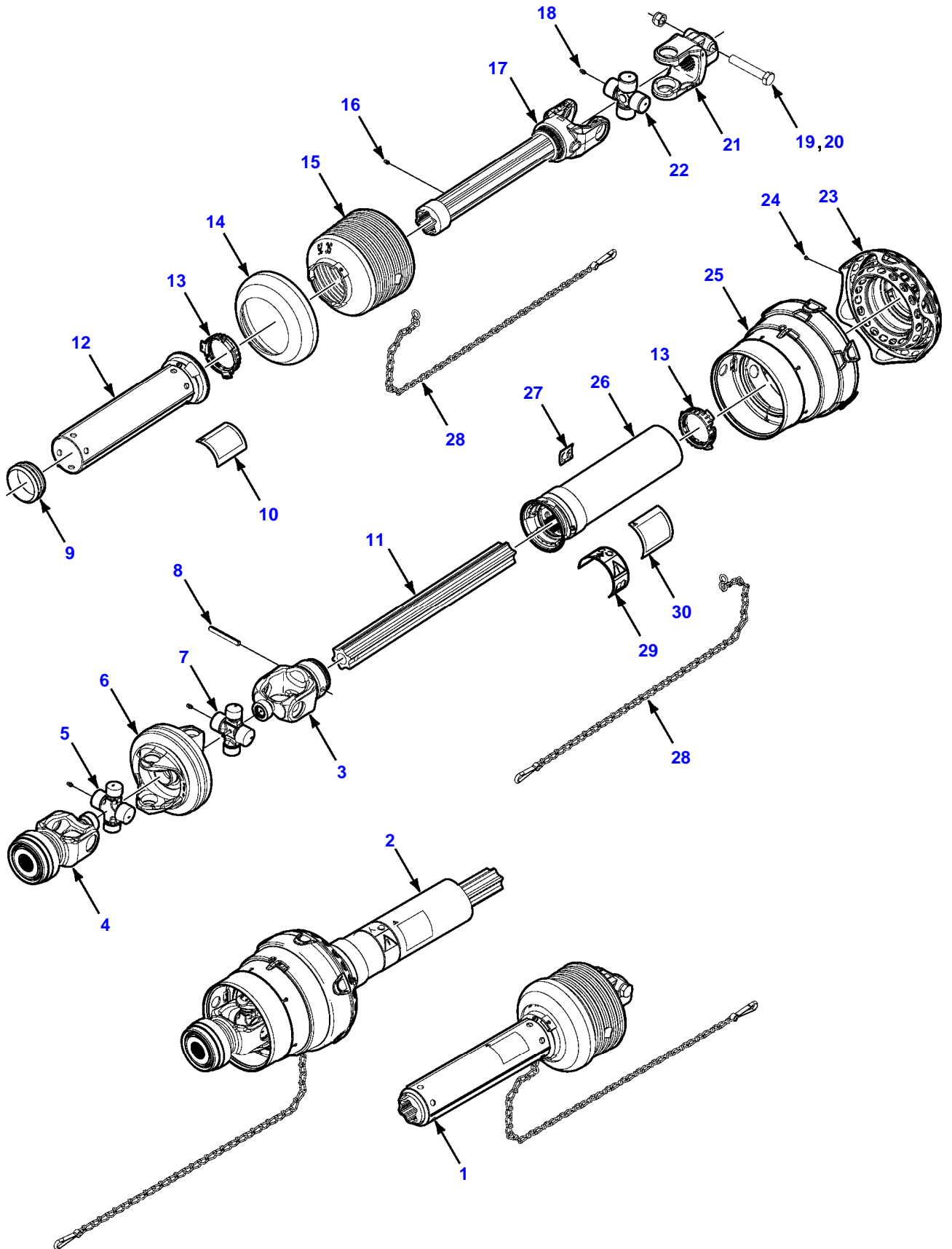
[A] THE APPROPRIATE SAFETY DECALS MUST BE ORDERED AND FITTED TO THIS PART

870 LARGE RECTANGULAR BALER (EHB01101 - 9999)
PRIMARY DRIVE SHAFT - CE



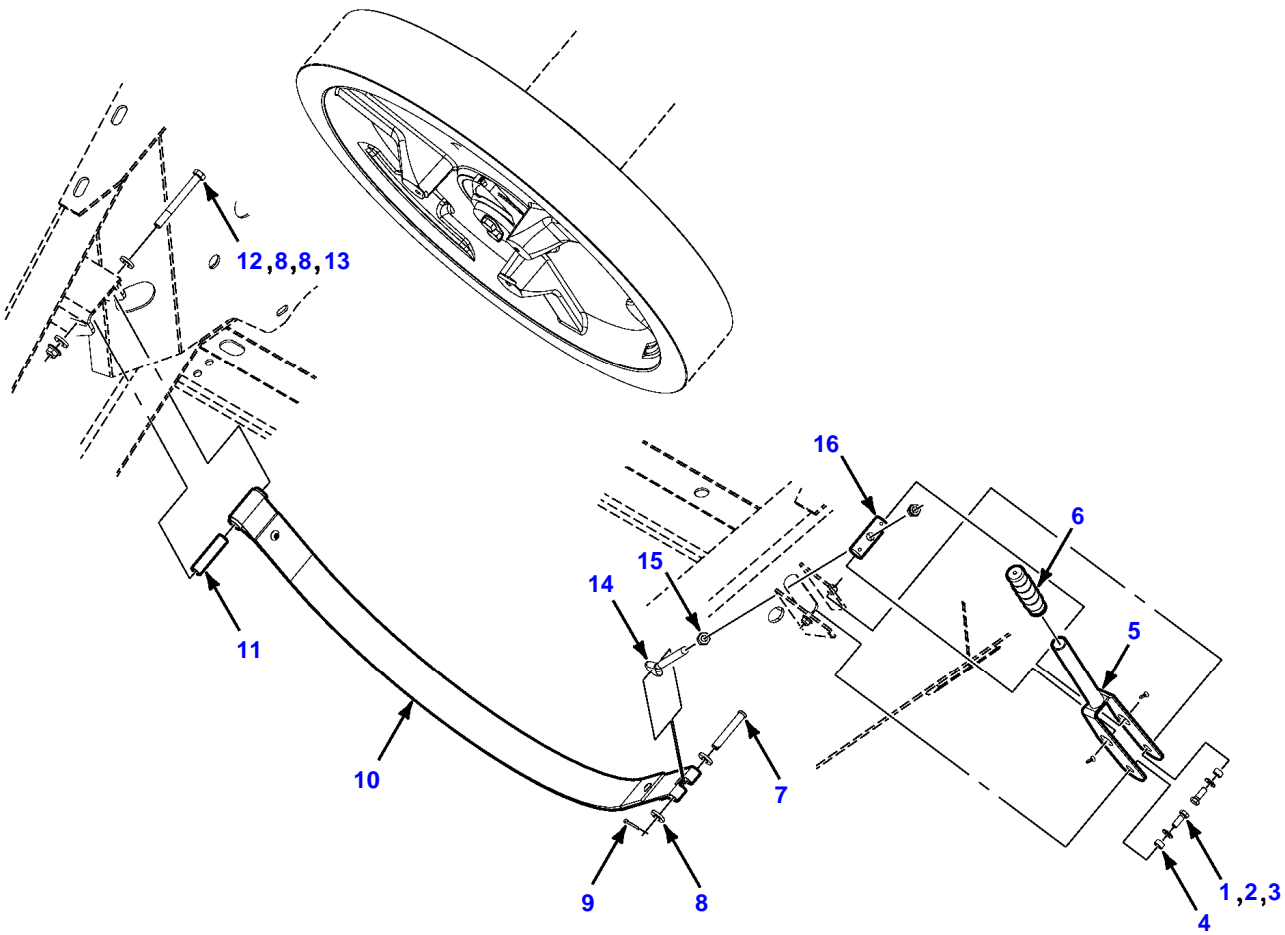
Item	Part Number	Qty	Description Comments	Technical Specification
1-3/8 INCH X 21 SPLINE				
1	700737113	1	PTO HALF SHAFT	1-3/4", 20 SPLINE
2	700735106	1	PTO HALF SHAFT	
3	700735112	1	YOKE	
4	700735109	1	YOKE	1-3/8", 21 SPLINE
	700735126	1	REPAIR KIT	LOCK
5	700735113	1	CROSS AND BEARING KIT	32 & 36MM DIA CAP, 112MM OL
6	700735110	1	DOUBLE YOKE	
7	700735111	1	CROSS AND BEARING KIT	32 & 36MM DIA CAP, 112MM OL
8	763847	1	SPRING PIN	10 X 75 MM
9	700735123	1	BEARING BRACKET	
10	700747136	1	DANGER DECAL, SHIELD MISSING	127MM X 87MM
11	700735114	1	INNER PROFILE SHAFT	
12	700737117	1	INNER GUARD [A]	
13	8800633	2	BEARING RING	SC25
14	700735124	1	REINFORCING COLLAR	
15	700735122	1	CONE GUARD	7 RIB
16	700713262	1	GREASE FITTING	1/4"-28 X 9/16"
17	700737115	1	YOKE TUBE	IB (S5G)
18	700735125	3	GREASE FITTING	M6 X 1
19	339182X1	1	HEX CAP SCREW	M16 X 2 X 90, CL8.8
20	1442739X1	1	HEX LOCKNUT	M16 X 2, CL8
21	700737116	1	YOKE	1-3/4"-20 SPLINE
22	700735116	1	CROSS AND BEARING KIT	36MM DIA CAP, 89MM OL
23	700735121	1	GUARD CONE AND FLEX NET	
24	700714614	10	MACHINE SCREW	
25	700735120	1	DRIVE SHAFT SAFETY GUARD	
26	700735117	1	GUARD TUBE AND CAP [A]	
27	700735129	1	DECAL, CE	
28	71382485	2	SAFETY CHAIN	
29	700746100	1	WARNING DECAL	
30	700747135	1	DANGER DECAL, ROTATING DRIVELINE	134MM X 95MM
[A] THE APPROPRIATE SAFETY DECALS MUST BE ORDERED AND FITTED TO THIS PART				

870 LARGE RECTANGULAR BALER (EHB01101 - 9999)
PRIMARY DRIVE SHAFT - CE



Item	Part Number	Qty	Description Comments	Technical Specification
1-3/4 INCH X 20 SPLINE				
1	700737113	1	PTO HALF SHAFT	1-3/4", 20 SPLINE
2	700735108	1	PTO HALF SHAFT	1-3/4", 20 SPLINE
3	700735112	1	YOKE	
4	700735127	1	YOKE	1-3/4", 20 SPLINE
	700735128	1	REPAIR KIT	LOCK
5	700735113	1	CROSS AND BEARING KIT	32 & 36MM DIA CAP, 112MM OL
6	700735110	1	DOUBLE YOKE	
7	700735111	1	CROSS AND BEARING KIT	32 & 36MM DIA CAP, 112MM OL
8	763847	1	SPRING PIN	10 X 75 MM
9	700735123	1	BEARING BRACKET	
10	700747136	1	DANGER DECAL, SHIELD MISSING	127MM X 87MM
11	700735114	1	INNER PROFILE SHAFT	
12	700737117	1	INNER GUARD [A]	
13	8800633	2	BEARING RING	SC25
14	700735124	1	REINFORCING COLLAR	
15	700735122	1	CONE GUARD	7 RIB
16	700713262	1	GREASE FITTING	1/4"-28 X 9/16"
17	700737115	1	YOKE TUBE	IB (S5G)
18	700735125	3	GREASE FITTING	M6 X 1
19	339182X1	1	HEX CAP SCREW	M16 X 2 X 90, CL8.8
20	1442739X1	1	HEX LOCKNUT	M16 X 2, CL8
21	700737116	1	YOKE	1-3/4"-20 SPLINE
22	700735116	1	CROSS AND BEARING KIT	36MM DIA CAP, 89MM OL
23	700735121	1	GUARD CONE AND FLEX NET	
24	700714614	10	MACHINE SCREW	
25	700735120	1	DRIVE SHAFT SAFETY GUARD	
26	700735117	1	GUARD TUBE AND CAP [A]	
27	700735129	1	DECAL, CE	
28	71382485	2	SAFETY CHAIN	
29	700746100	1	WARNING DECAL	
30	700747135	1	DANGER DECAL, ROTATING DRIVELINE	134MM X 95MM
[A] THE APPROPRIATE SAFETY DECALS MUST BE ORDERED AND FITTED TO THIS PART				

870 LARGE RECTANGULAR BALER (EHB01101 - 9999)
BRAKE - FLYWHEEL



Item	Part Number	Qty	Description Comments	Technical Specification
1	703249	2	HEX HEAD BOLT	3/8"-16 X 1", GR5, FT
2	705533	2	FLAT WASHER	3/8"
3	704734	2	HEX FLANGE LOCKNUT	3/8"-16
4	6489231	2	SPACER	5/8" OD X 5/16"
5	700113054	1	HANDLE	
6	Z27342	1	HANDLE GRIP	
7	Z63883	1	CLEVIS PIN	1/2" X 3"
8	705541	4	FLAT WASHER	1/2"
9	Z62174	1	COTTER PIN	5/32" X 1"
10	700123832	1	BRAKE	
11	6524003	1	SPACER	19MM OD X 76M OL
12	703223	1	HEX HEAD BOLT	1/2"-13 X 4-1/2",GR5
13	704742	1	HEX FLANGE LOCKNUT	1/2"-13
14	766667	1	EYEBOLT	1/2"-13 X 10"
15	7704752	2	HEX NUT	1/2"-13
16	700113057	1	BRAKE PIN	1" DIA X 74MM OL



Suggest:

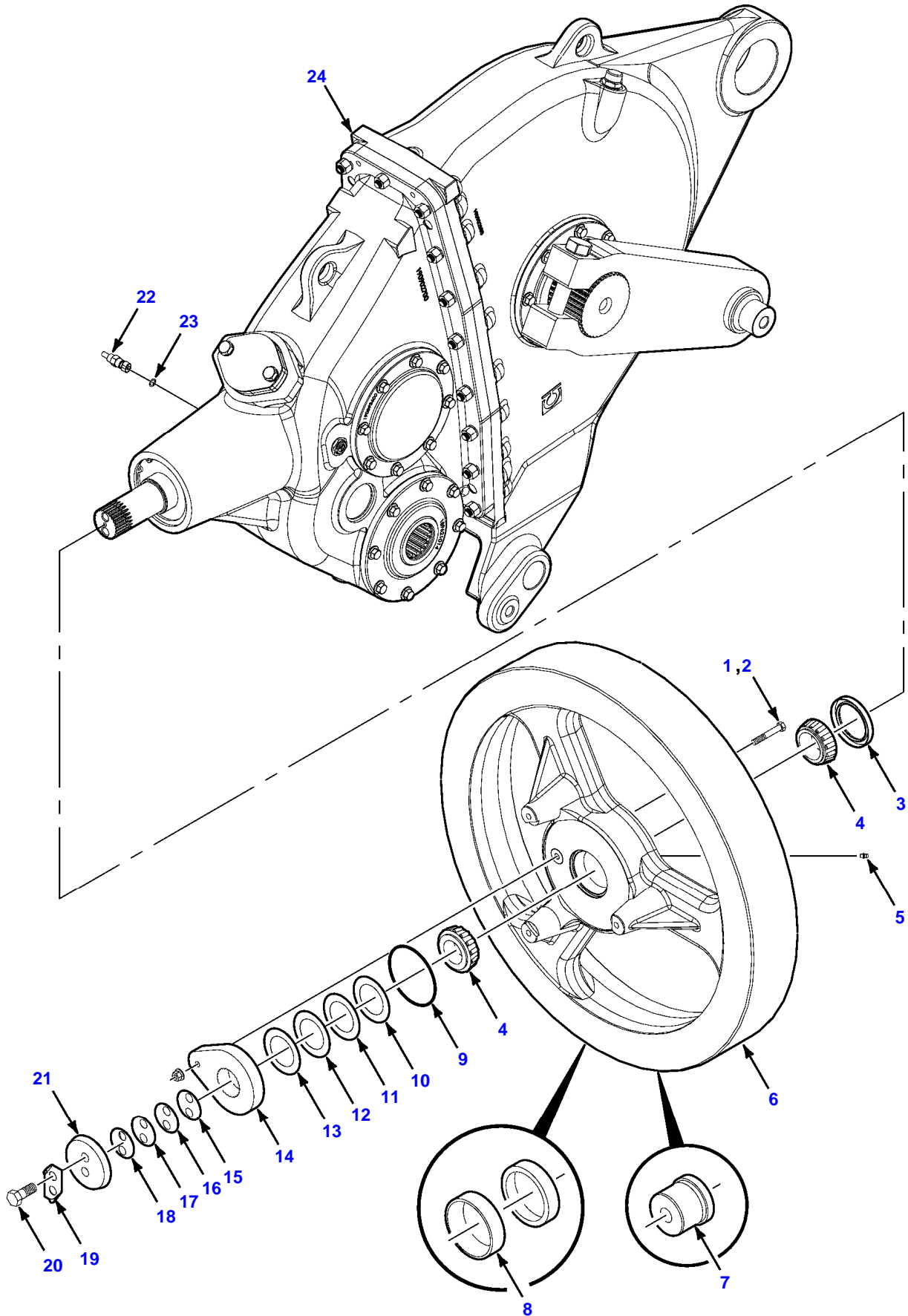
For more complete manuals. Please go to the home page.

<https://www.ebooklibonline.com>

If the above button click is invalid. Please download this document first, and then click the above link to download the complete manual.

Thank you so much for reading

870 LARGE RECTANGULAR BALER (EHB01101 - 9999)
MOUNTING - FLYWHEEL



Item	Part Number	Qty	Description Comments	Technical Specification
1	7701899	1	HEX HEAD BOLT	3/8"-16 X 2-1/2", GR5
2	704734	1	HEX FLANGE LOCKNUT	3/8"-16
3	700710382	1	OIL SEAL	
4	714634	2	BEARING CONE	55MM ID X 23MM
5	Z77016	1	GREASE FITTING	1/4"-28
6	700123112	1	FLYWHEEL	
	714626	2	BEARING CUP	90MM OD
	6855555	1	SHEAR BUSHING	
7	6855555	1	SHEAR BUSHING	
8	714626	2	BEARING CUP	90MM OD
9	700706050	1	O-RING	4-1/4" ID
10	700710365	-	FLYWHEEL SHIM	0.08MM
11	700710366	-	FLYWHEEL SHIM	0.13MM
12	700710367	-	FLYWHEEL SHIM	0.25MM
13	700710369	-	FLYWHEEL SHIM	0.51MM
14	700143208	1	SHEAR HUB	
	700728938	1	PLUNGER SPRING	
15	700710394	-	FLYWHEEL HEX SHIM	0.08MM
16	700710395	-	FLYWHEEL HEX SHIM	0.13MM
17	700710396	-	FLYWHEEL HEX SHIM	0.25MM
18	700710397	-	FLYWHEEL HEX SHIM	0.51MM
19	700113045	1	LOCK TAB	
20	700708355	2	HEX HEAD BOLT	M16-2.0 X 40MM, CL10.9
21	700113044	1	RETAINER CAP	
22	71393718	1	TEMPERATURE SENSOR	1/2"-20, 2 PIN
23	7040330	1	O-RING	0.414" X .072"
24	700723442	1	GEARBOX	
			SEE PAGE 01-011	

<https://www.ebooklibonline.com>

Hello dear friend!

Thank you very much for reading.

Enter the link into your browser.

The full manual is available for immediate download.

<https://www.ebooklibonline.com>