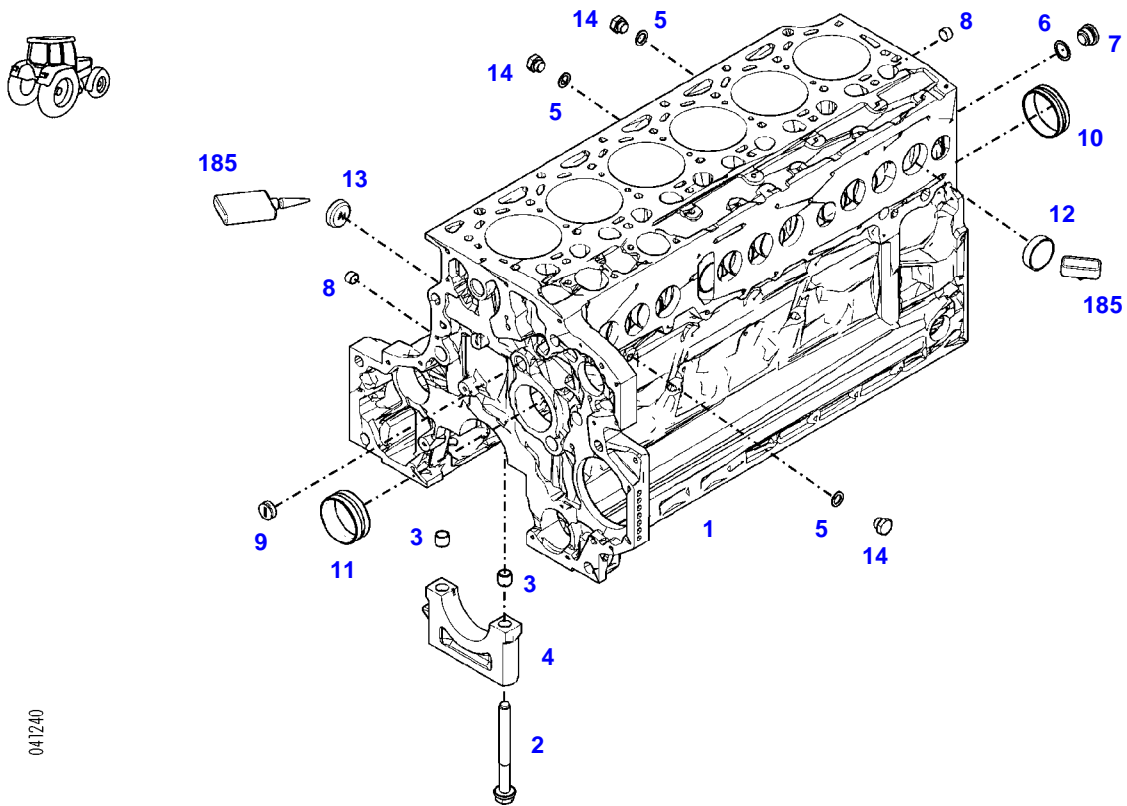


| Page Number | Page Title | Page Reference |
|--------------------|-------------------------------------|-----------------------|
| 01-000-TOC | ENGINE, FUEL AND EXHAUST SYSTEM | 01-000-TOC |
| 02-000-TOC | AXLES | 02-000-TOC |
| 03-000-TOC | STEERING SYSTEM | 03-000-TOC |
| 04-000-TOC | DRIVE TRAIN SYSTEM | 04-000-TOC |
| 05-000-TOC | COMPRESSED AIR SYSTEM | 05-000-TOC |
| 06-000-TOC | HYDRAULIC SYSTEM | 06-000-TOC |
| 07-000-TOC | ELECTRICAL SYSTEM | 07-000-TOC |
| 08-000-TOC | CAB | 08-000-TOC |
| 09-000-TOC | AIR CONDITIONING AND HEATING SYSTEM | 09-000-TOC |
| 10-000-TOC | CHASSIS | 10-000-TOC |
| 11-000-TOC | WHEELS | 11-000-TOC |
| 12-000-TOC | IMPLEMENT LIFT SYSTEM FRONT | 12-000-TOC |
| 13-000-TOC | IMPLEMENT LIFT SYSTEM REAR | 13-000-TOC |
| 14-000-TOC | FRONT/REAR LOADERS | 14-000-TOC |
| 15-000-TOC | PRECISION FARMING SYSTEMS | 15-000-TOC |
| 16-000-TOC | ACCESSORIES | 16-000-TOC |

FENDT 828 VARIO SCR (836/00101-99999)
41240



041240

| Item | Part Number | Qty | Description Comments | Technical Specification |
|------|-------------|-----|---|-----------------------------|
| | | | ENGINE NUMBER <-- 11068482 | |
| | 72484921 | 1 | ENGINE --> 836/1654 | TCD6.1L6 |
| | 72608987 | 1 | REMANUFACTURED SHORT BLOCK ENGINE --> 836/1654 | |
| | 72605679 | 1 | ENGINE <-- 836/1655 --> 836/2800 | TCD6.1L6 |
| | 72608988 | 1 | REMANUFACTURED SHORT BLOCK ENGINE <-- 836/1655 --> 836/2800 | |
| | 72609550 | 1 | ENGINE <-- 836/2801 --> 836/3414 | TCD6.1L6 |
| | 72612928 | 1 | ENGINE FOR MARKETS WITH EXHAUST REGULATIONS <-- 836/3415 | TCD6.1L6 |
| | 72609550 | 1 | ENGINE FOR MARKETS WITHOUT EXHAUST REGULATIONS <-- 836/3415 | TCD6.1L6 |
| 1 | 72491820 | 1 | CRANKCASE ><2-14 ENG.NO. --> 11227804 SERIES EXECUTION NO LONGER AVAILABLE | |
| | 72616644 | 1 | CRANKCASE ENG.NO. --> 11227804 SUPERSESION | |
| | 72492421 | 1 | CRANKCASE ><2-14 ENG.NO. <-- 11227805 SERIES EXECUTION NO LONGER AVAILABLE | |
| | 72616644 | 1 | CRANKCASE ENG.NO. <-- 11227805 SUPERSESION | |
| 2 | 72416467 | 14 | HEXAGONAL HEAD BOLT | |
| 3 | 72344342 | 14 | ADAPTER BUSH | |
| 4 | | | NOT AVAILABLE IN SINGLE PARTS | |
| 5 | 72456134 | 3 | SEALING WASHER | DIN 7603 D14X20-CU-VERZINNT |
| 6 | 72439874 | 1 | SEALING WASHER | |
| 7 | 72455559 | 1 | PLUG SCREW | |
| 8 | 72429347 | 2 | SCREW M14X1,5 | M14X1,5 |
| 9 | 72431135 | 1 | LOCKING PLUG | |
| 10 | 72416469 | 6 | BEARING BUSHING ENG.NO. --> 11227804 <-- F836.200.210.390 | |
| | 72497417 | 1 | BEARING BUSHING ENG.NO. <-- 11227805 | |
| 11 | 72491822 | 1 | BEARING BUSHING | |
| 12 | 72325325 | 9 | CORE HOLE PLUG | |
| 13 | 72325326 | 6 | CORE HOLE PLUG | |
| 14 | 72315799 | 3 | PLUG | DIN 7604 AM14X1,5-A3L |
| 185 | 72381391 | 1 | THREADLOCKER | LOCTITE 243 10ML |

<https://www.ebooklibonline.com>

Hello dear friend!

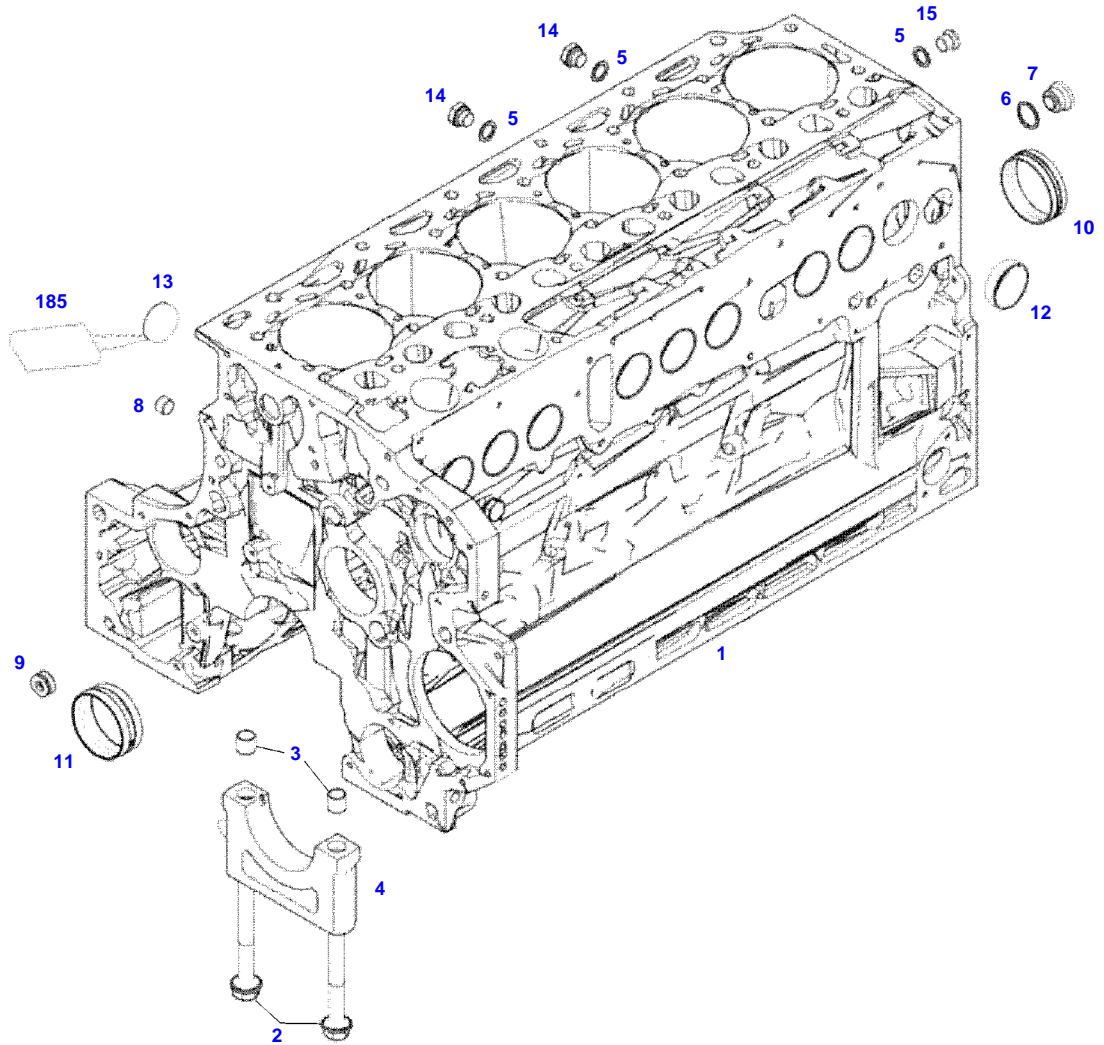
Thank you very much for reading.

Enter the link into your browser.

The full manual is available for immediate download.

<https://www.ebooklibonline.com>

FENDT 828 VARIO SCR (836/00101-99999)
F061411

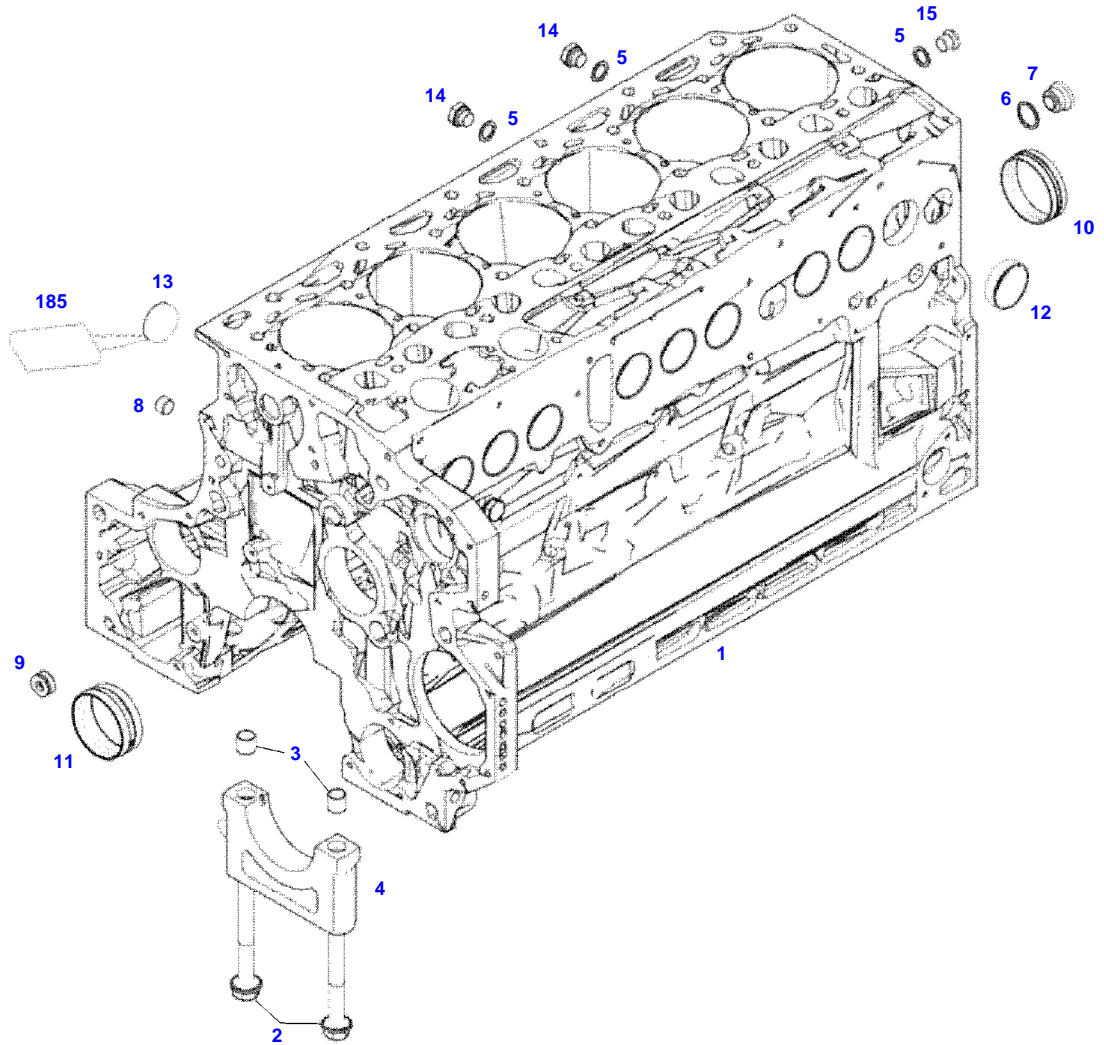


F061411



| Item | Part Number | Qty | Description Comments | Technical Specification |
|------|-------------|-----|--|-----------------------------|
| | | | FROM - UP TO ENGINE S/N 11703111 - 11715417 | |
| | 72484921 | 1 | ENGINE --> 836/1654 | TCD6.1L6 |
| | 72605679 | 1 | ENGINE <-- 836/1655 --> 836/2800 | TCD6.1L6 |
| | 72609550 | 1 | ENGINE <-- 836/2801 --> 836/3414 | TCD6.1L6 |
| | 72612928 | 1 | ENGINE FLEXI ENGINE <-- 836/3415 | TCD6.1L6 |
| | 72608987 | 1 | REMANUFACTURED SHORT BLOCK ENGINE --> 836/1654 | |
| | 72608988 | 1 | REMANUFACTURED SHORT BLOCK ENGINE <-- 836/1655 --> 836/2800 | |
| 1 | 72627571 | 1 | CRANKCASE INCLUDES ITEMS 2-15 | |
| 2 | 72416467 | 14 | HEXAGONAL HEAD BOLT | |
| 3 | 72344342 | 14 | ADAPTER BUSH | |
| 4 | | | NOT AVAILABLE IN SINGLE PARTS | |
| 5 | 72456134 | 3 | SEALING WASHER | DIN 7603 D14X20-CU-VERZINNT |
| 6 | 72439874 | 1 | SEALING WASHER | |
| 7 | 72455559 | 1 | PLUG SCREW | |
| 8 | 72429347 | 2 | SCREW | M14X1,5 |
| 9 | 72431135 | 1 | LOCKING PLUG | |
| 10 | 72615416 | 6 | BEARING BUSHING | |
| 11 | 72491822 | 1 | BEARING BUSHING | |
| 12 | 72325325 | 9 | CORE HOLE PLUG | |
| 13 | 72325326 | 6 | CORE HOLE PLUG | |
| 14 | 72315799 | 3 | PLUG | DIN 7604 AM14X1,5-A3L |
| 15 | 72315438 | 1 | PLUG SCREW | DIN 908 M14X1,5-ST |
| 185 | 72381391 | 1 | THREADLOCKER | LOCTITE 243 10ML |

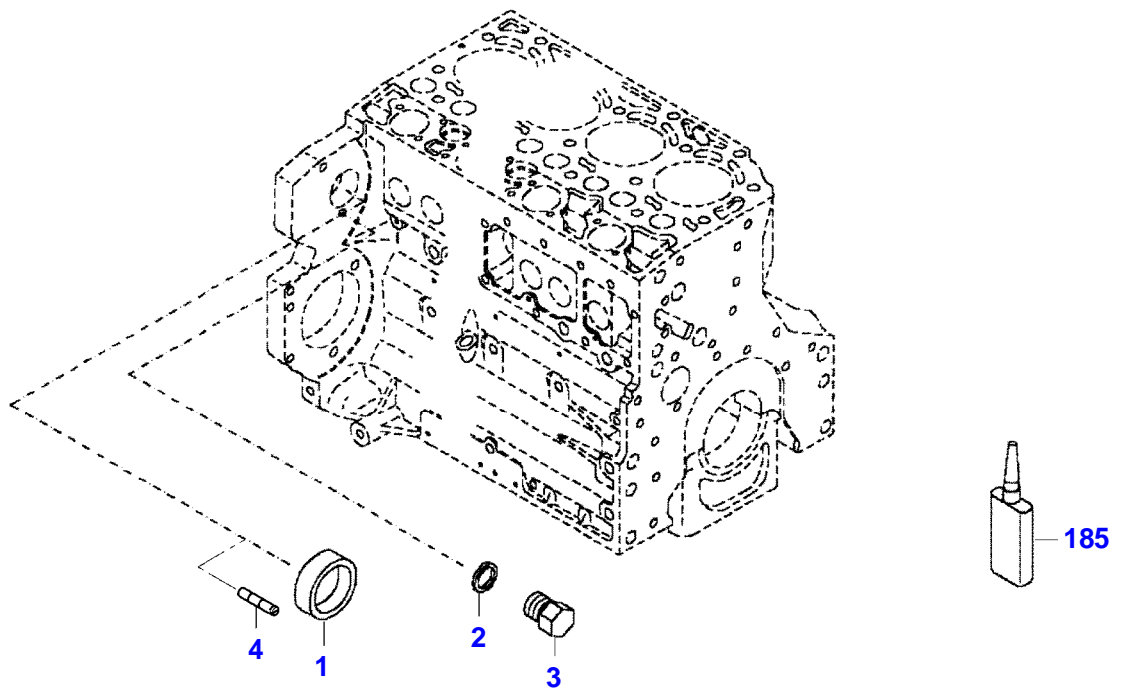
FENDT 828 VARIO SCR (836/00101-99999)
F061411



F061411

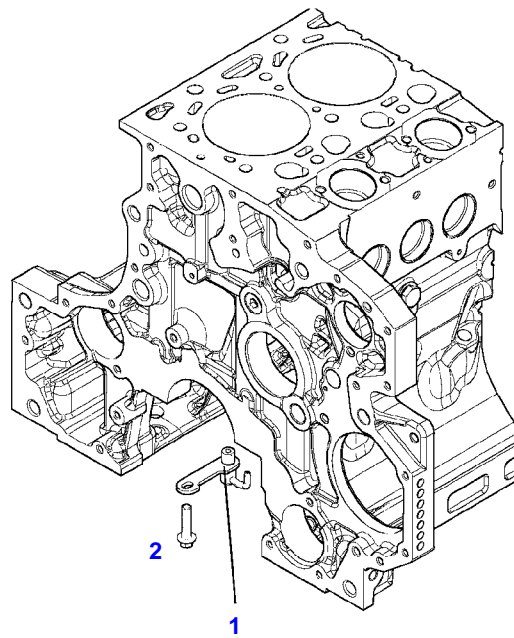


| Item | Part Number | Qty | Description Comments | Technical Specification |
|------|-------------|-----|--|-----------------------------|
| | | | FROM - UP TO ENGINE S/N 11718244 - 11778484 | |
| | 72484921 | 1 | ENGINE --> 836/1654 | TCD6.1L6 |
| | 72605679 | 1 | ENGINE <-- 836/1655 --> 836/2800 | TCD6.1L6 |
| | 72609550 | 1 | ENGINE <-- 836/2801 --> 836/3414 | TCD6.1L6 |
| | 72612928 | 1 | ENGINE FLEXI ENGINE <-- 836/3415 | TCD6.1L6 |
| | 72608987 | 1 | REMANUFACTURED SHORT BLOCK ENGINE --> 836/1654 | |
| | 72608988 | 1 | REMANUFACTURED SHORT BLOCK ENGINE <-- 836/1655 --> 836/2800 | |
| 1 | 72616644 | 1 | CRANKCASE INCLUDES ITEMS 2-15 | |
| 2 | 72416467 | 14 | HEXAGONAL HEAD BOLT | |
| 3 | 72344342 | 14 | ADAPTER BUSH | |
| 4 | | | NOT AVAILABLE IN SINGLE PARTS | |
| 5 | 72456134 | 3 | SEALING WASHER | DIN 7603 D14X20-CU-VERZINNT |
| 6 | 72439874 | 1 | SEALING WASHER | |
| 7 | 72455559 | 1 | PLUG SCREW | |
| 8 | 72429347 | 2 | SCREW | M14X1,5 |
| 9 | 72431135 | 1 | LOCKING PLUG | |
| 10 | ACP0152940 | 6 | FEMALE BEARING | |
| 11 | ACP0152930 | 1 | FEMALE BEARING | |
| 12 | 72325325 | 9 | CORE HOLE PLUG | |
| 13 | 72325326 | 6 | CORE HOLE PLUG | |
| 14 | 72315799 | 3 | PLUG | DIN 7604 AM14X1,5-A3L |
| 15 | 72315438 | 1 | PLUG SCREW | DIN 908 M14X1,5-ST |
| 185 | 72381391 | 1 | THREADLOCKER | LOCTITE 243 10ML |



| Item | Part Number | Qty | Description Comments | Technical Specification |
|-----------------------|-------------|-----|----------------------------------|-------------------------|
| BLANKING PARTS | | | | |
| 1 | 72627515 | 1 | CORE HOLE PLUG | |
| 2 | 72315088 | 2 | SEALING WASHER | DIN 7603 A10X13,5-CU |
| 3 | 72323677 | 2 | PLUG | |
| 4 | 72631860 | 2 | THREADED PIN UP TO ENGINE S/N | |
| 185 | 72325403 | 1 | SAFE.LOCK AGENT | |

FENDT 828 VARIO SCR (836/00101-99999)
41197



041197

Fendt

FENDT 828 VARIO SCR (836/00101-99999)

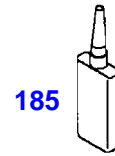
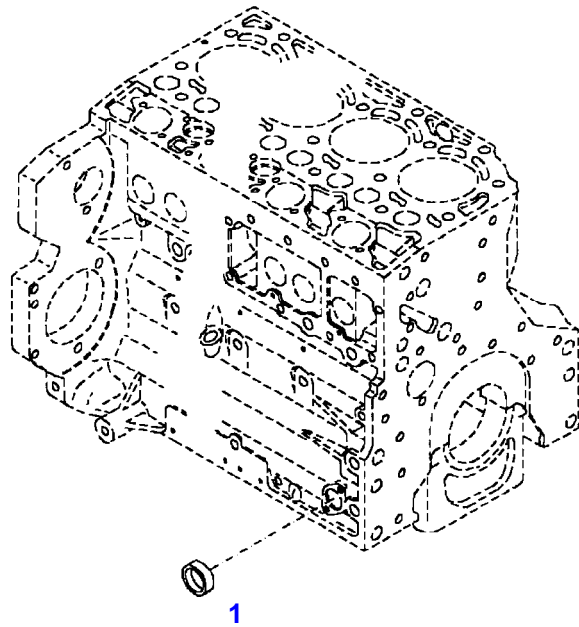
F836000

CRANKCASE

Page01-0007

| Item | Part Number | Qty | Description Comments | Technical Specification |
|------|-------------|-----|------------------------------|-------------------------|
| | | | PISTON COOL.NOZZLE | |
| 1 | 72479417 | 6 | PISTON COOLING JET | |
| 2 | 72605244 | 6 | HEXAGONAL HEAD BOLT M8X35 | M8X35 |

FENDT 828 VARIO SCR (836/00101-99999)
40194



040194

Fendt

FENDT 828 VARIO SCR (836/00101-99999)

F836000

CRANKCASE

Page01-0008

| Item | Part Number | Qty | Description Comments |
|------|-------------|-----|-------------------------|
| | | | LOCKING PLUG |
| 1 | 72325326 | 1 | CORE HOLE PLUG |
| 185 | 72325403 | 1 | SAFE.LOCK AGENT |

FENDT 828 VARIO SCR (836/00101-99999)
F51577

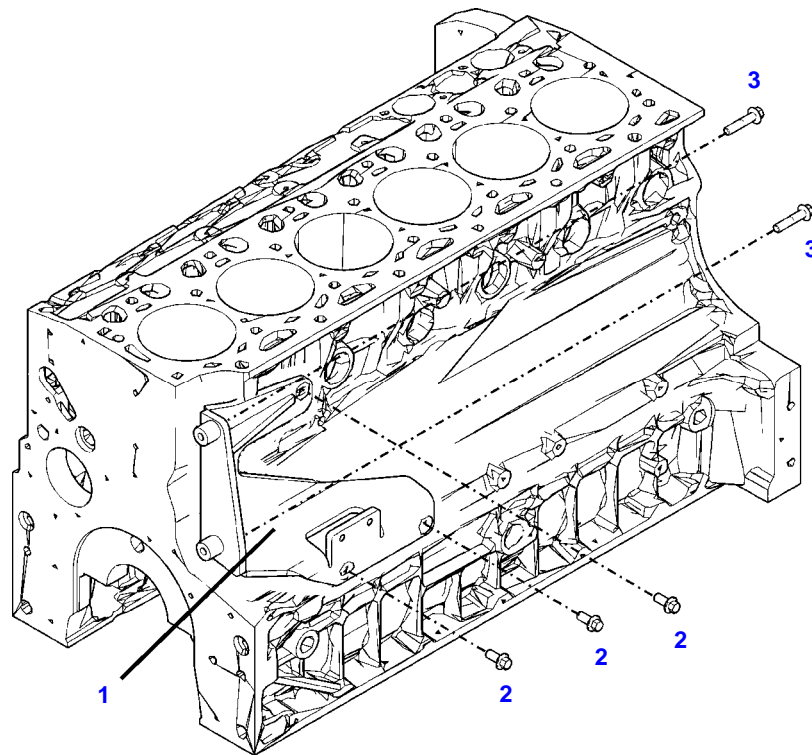


051577



| Item | Part Number | Qty | Description Comments | Technical Specification |
|-----------------------|-------------|-----|--|-------------------------|
| BLANKING PARTS | | | | |
| 2 | 72315799 | 1 | PLUG NOT NEEDED WITH AIR BRAKE | DIN 7604 AM14X1,5-A3L |
| 3 | 72315094 | 1 | SEALING WASHER NOT NEEDED WITH AIR BRAKE | DIN 7603 A14X18-CU |
| 4 | 72431648 | 1 | COVER NOT NEEDED WITH AIR BRAKE | |
| 5 | 72416472 | 1 | SEAL 96X4MM NOT NEEDED WITH AIR BRAKE | |
| 6 | 72438057 | 2 | HEXAGONAL HEAD BOLT NOT NEEDED WITH AIR BRAKE | M10X20 |

FENDT 828 VARIO SCR (836/00101-99999)
41241



041241

Fendt

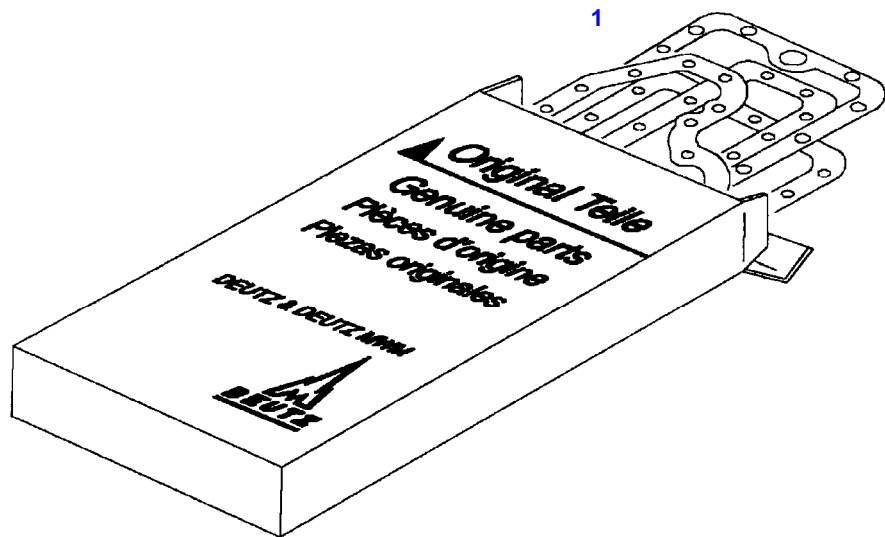
FENDT 828 VARIO SCR (836/00101-99999)

F836000

CRANKCASE

Page01-0010

| Item | Part Number | Qty | Description Comments | Technical Specification |
|------|-------------|-----|--|-------------------------|
| | | | SUPPORT ENGINE NUMBER <-- 10919142 | |
| 1 | 72485479 | 1 | RETAINING SHEET METAL | |
| 2 | 72415315 | 3 | HEXAGONAL HEAD BOLT M8X20 | M8X20 |
| 3 | 72325457 | 2 | HEXAGONAL HEAD BOLT M8X40 | |



030100

Fendt

FENDT 828 VARIO SCR (836/00101-99999)

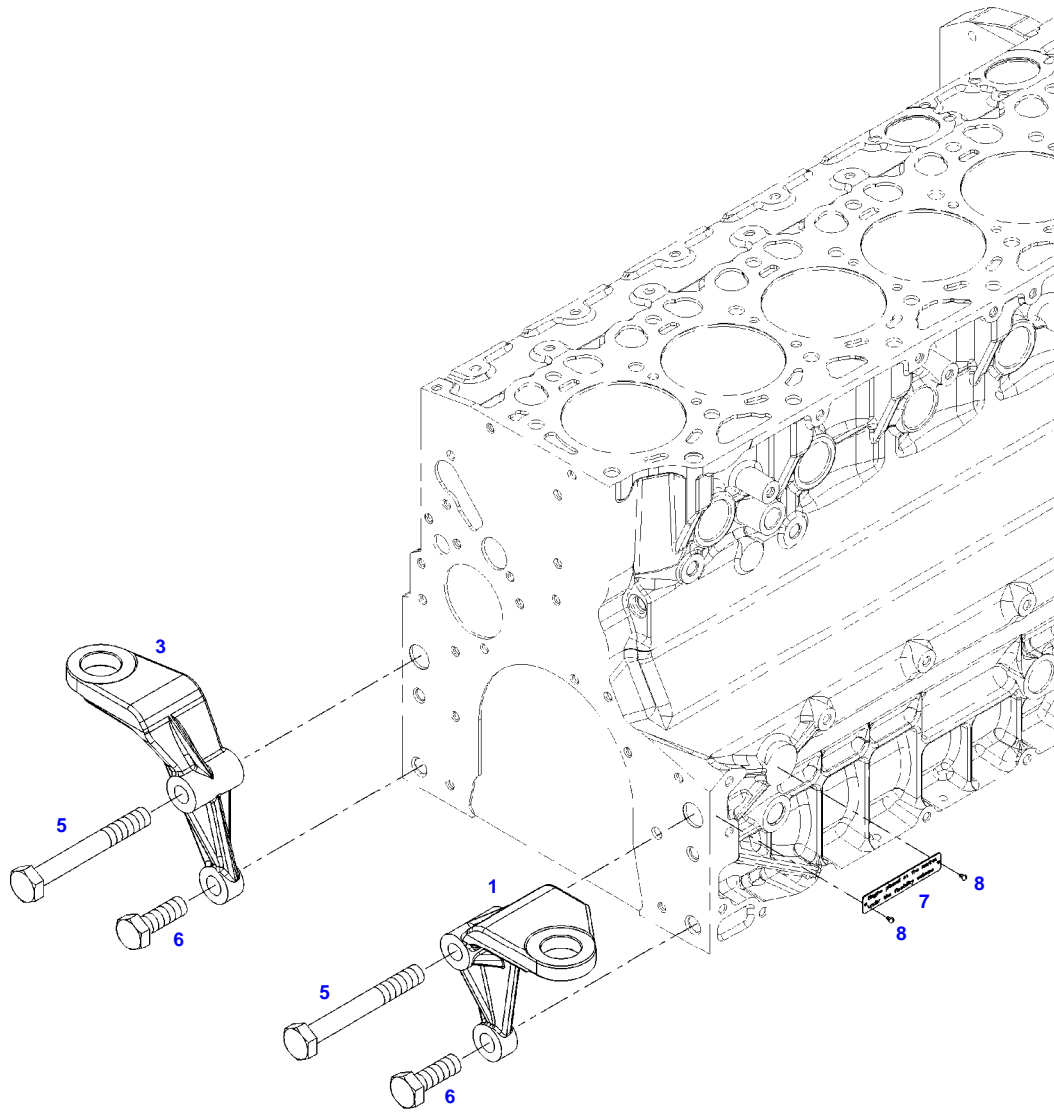
F836000

SET OF GASKETS - MOTOR

Page01-0011

| Item | Part Number | Qty | Description Comments |
|------|-------------|-----|---|
| 1 | 72609323 | 1 | SEAL KIT WITHOUT CYLINDER HEAD GASKET UP TO ENGINE NUMBER 11688392 |
| | 72615421 | 1 | SEAL KIT WITHOUT CYLINDER HEAD GASKET FROM ENGINE S/N 11688393 |

FENDT 828 VARIO SCR (836/00101-99999)
F061413



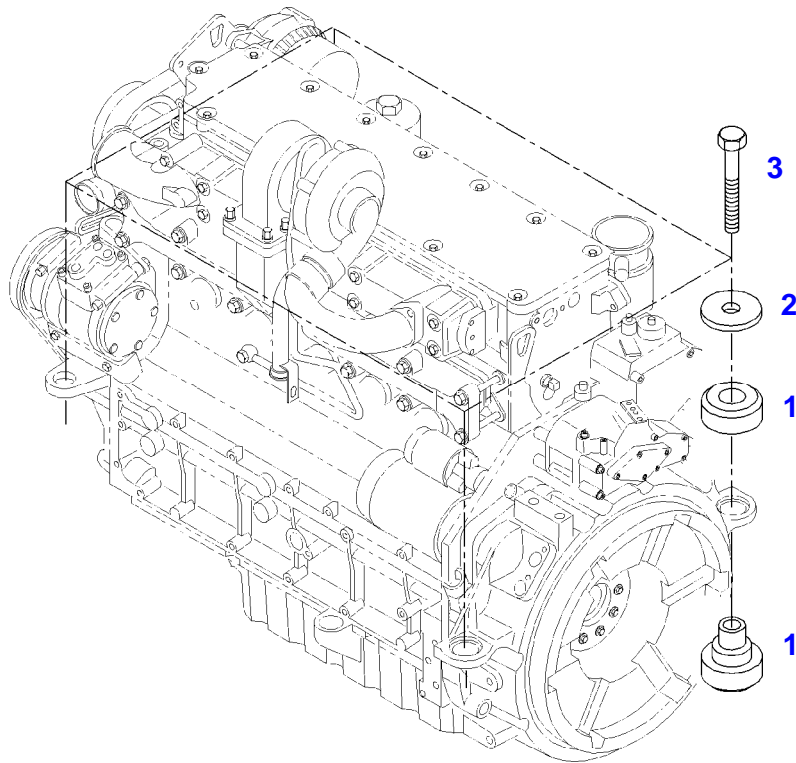
F061413



ENGINE MOUNTINGS

| Item | Part Number | Qty | Description Comments | Technical Specification |
|-------------|--------------------|------------|---------------------------------|--------------------------------|
| 1 | 72481055 | 1 | ENGINE MOUNT LEFT | |
| 3 | 72481061 | 1 | ENGINE MOUNT RIGHT | |
| 5 | 72374294 | 2 | HEXAGONAL HEAD BOLT | DIN 931-M16X85 GWA-10.9 |
| 6 | 72418408 | 2 | HEXAGONAL HEAD BOLT | DIN 933 M16X40 GWA-10.9 |
| 7 | 72452403 | 1 | MARKING PLATE FLEXI ENGINE | |
| 8 | 72313751 | 2 | SLOTTED PIN | DIN 1476-3X5-AL |

FENDT 828 VARIO SCR (836/00101-99999)
35107



035107

Fendt

FENDT 828 VARIO SCR (836/00101-99999)

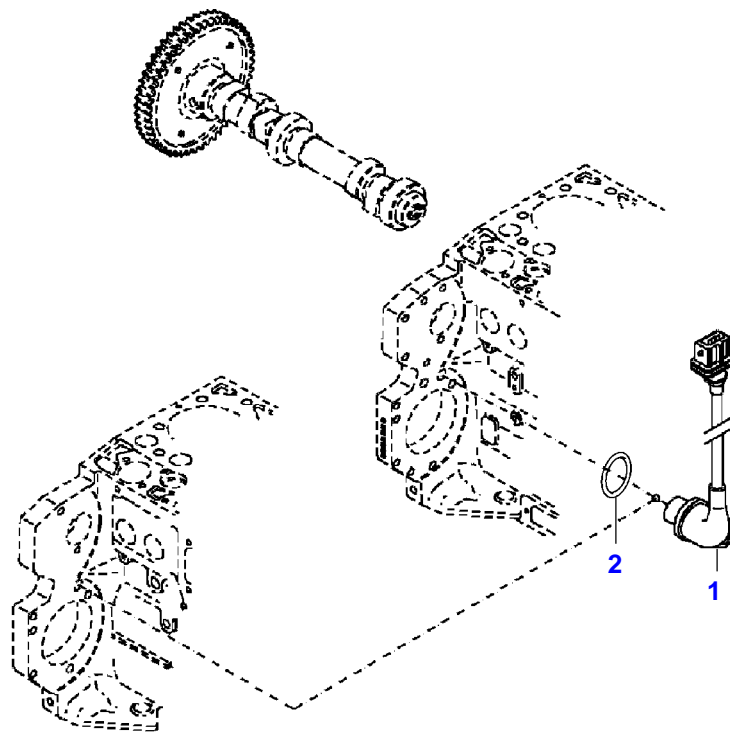
F836000

ENGINE BEARINGS

Page01-0013

| Item | Part Number | Qty | Description Comments | Technical Specification |
|------|-------------|-----|-------------------------|-------------------------|
| 1 | 72483499 | 4 | ENGINE MOUNT | |
| 2 | 72318110 | 4 | DISC | |
| 3 | 72315563 | 4 | HEXAGONAL HEAD BOLT | DIN 931 M12X80-8.8A3L |

FENDT 828 VARIO SCR (836/00101-99999)
431755-M-1



431755-M-1

Fendt

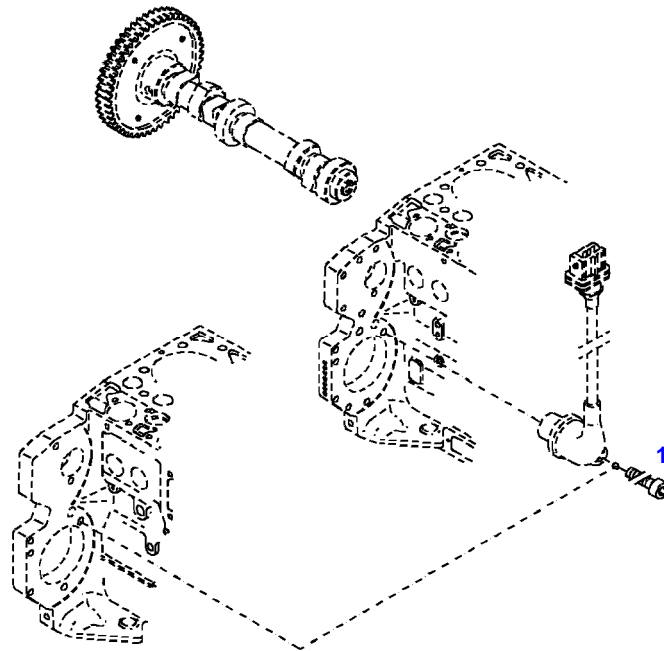
FENDT 828 VARIO SCR (836/00101-99999)

F836000

TRANSMITTER

Page01-0014

| Item | Part Number | Qty | Description Comments |
|------|-------------|-----|-------------------------|
| | | | ENGINE SPEED EDC |
| 1 | 72626758 | 1 | TRANSMITTER |
| 2 | 72628348 | 1 | O-RING |



035317

Fendt

FENDT 828 VARIO SCR (836/00101-99999)

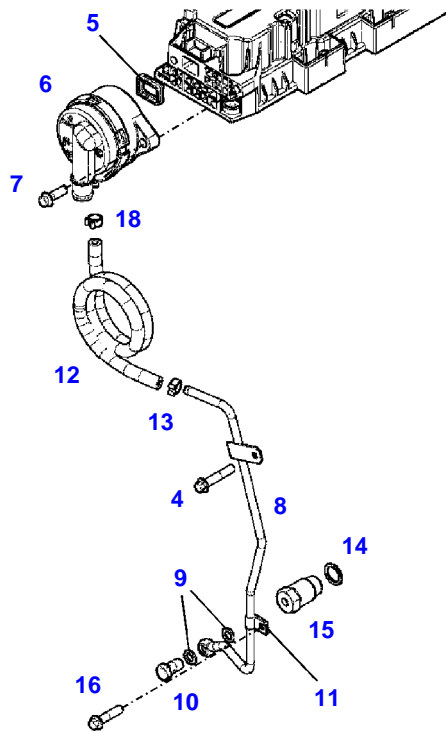
F836000

TRANSMITTER

Page01-0015

| Item | Part Number | Qty | Description Comments | Technical Specification |
|------|-------------|-----|----------------------------|-------------------------|
| | | | ENGINE SPEED FASTENINGS | |
| 1 | 72315460 | 1 | SOCKET HEAD BOLT | DIN 912 M6X16-8.8 |

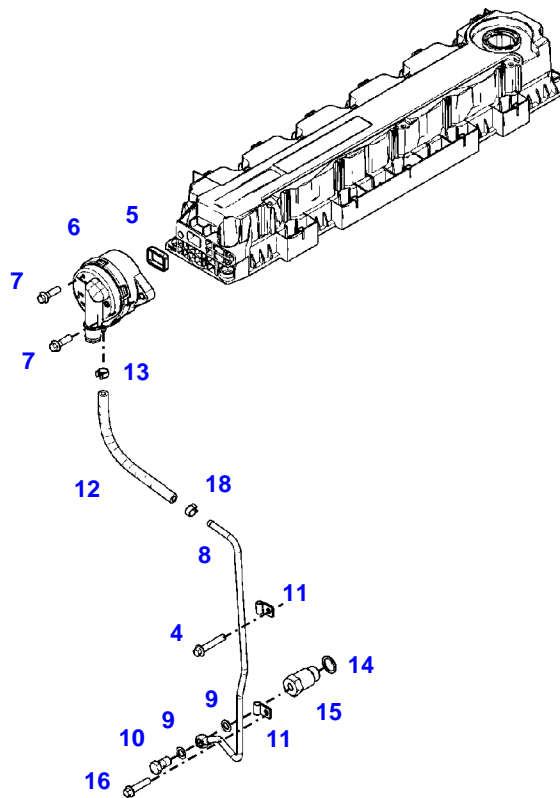
FENDT 828 VARIO SCR (836/00101-99999)
41198



041198

| Item | Part Number | Qty | Description Comments | Technical Specification |
|------|-------------|-----|--------------------------------------|-------------------------|
| | | | ENGINE NUMBER --> 10917850 | |
| 4 | 72325453 | 1 | HEXAGONAL HEAD BOLT M8X50 | |
| 5 | 72455795 | 1 | SEAL | |
| 6 | 72437250 | 1 | BREATHER ><5 | |
| 7 | 72325293 | 2 | HEXAGONAL HEAD BOLT M8X30 | M8X30 |
| 8 | 72495347 | 1 | OIL RETURN LINE ><9-13 | |
| 9 | 72439873 | 2 | SEALING WASHER | |
| 10 | 72323517 | 1 | BANJO BOLT | |
| 11 | 72425772 | 1 | PIPE CLAMP | |
| 12 | 72479423 | 1 | RUBBER HOSE | |
| 13 | 72479013 | 1 | HOSE CLIP | |
| 14 | 72439874 | 1 | SEALING WASHER | |
| 15 | 72425770 | 1 | LOCK VALVE | |
| 16 | 72325457 | 1 | HEXAGONAL HEAD BOLT | |
| 18 | 72479013 | 1 | HOSE CLIP | |

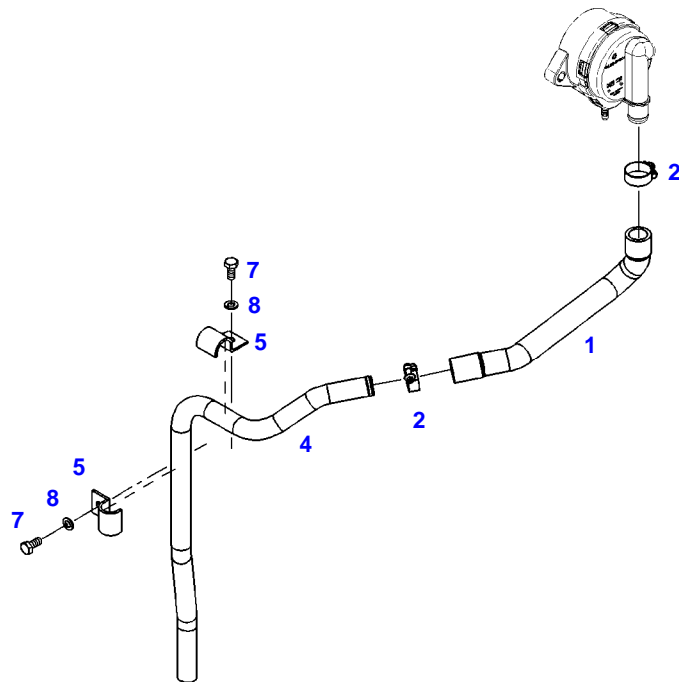
FENDT 828 VARIO SCR (836/00101-99999)
41242



041242

| Item | Part Number | Qty | Description Comments | Technical Specification |
|------|-------------|-----|--------------------------------------|-------------------------|
| | | | ENGINE NUMBER <-- 10917851 | |
| 4 | 72325453 | 1 | HEXAGONAL HEAD BOLT M8X50 | |
| 5 | 72455795 | 1 | SEAL | |
| 6 | 72437250 | 1 | BREATHER ><5 | |
| 7 | 72325293 | 2 | HEXAGONAL HEAD BOLT M8X30 | M8X30 |
| 8 | 72495347 | 1 | OIL RETURN LINE ><9-13 | |
| 9 | 72439873 | 2 | SEALING WASHER | |
| 10 | 72323517 | 1 | BANJO BOLT | |
| 11 | 72425772 | 2 | PIPE CLAMP | |
| 12 | 72495349 | 1 | RUBBER HOSE | |
| 13 | 72479013 | 1 | HOSE CLIP | |
| 14 | 72439874 | 1 | SEALING WASHER | |
| 15 | 72425770 | 1 | LOCK VALVE | |
| 16 | 72325457 | 1 | HEXAGONAL HEAD BOLT M8X40 | |
| 18 | 72479013 | 1 | HOSE CLIP | |

FENDT 828 VARIO SCR (836/00101-99999)
37622



037622

| Item | Part Number | Qty | Description Comments | Technical Specification |
|----------------------|-------------|-----|---|-------------------------|
| BREATHER TUBE | | | | |
| 1 | 72497866 | 1 | HOSE ARCH <-- 836/0101 --> 836/0200 <> <-- 836/1001 --> 836/1065 <> <> | |
| | 72487059 | 1 | PIPE | |
| 2 | 72311167 | 2 | HOSE CLIP | |
| 4 | 72487059 | 1 | PIPE <-- 836/0101 --> 836/0200 <> <-- 836/1001 --> 836/1065 <> <> | |
| | 72497866 | 1 | HOSE ARCH | |
| 5 | 72605304 | 2 | CLIP | |
| 7 | 72315646 | 2 | HEXAGONAL HEAD BOLT | DIN 933 M8X18-8.8A3L |
| 8 | 72315053 | 2 | SPLIT WASHER | FWN 65208-8-A3L |



Suggest:

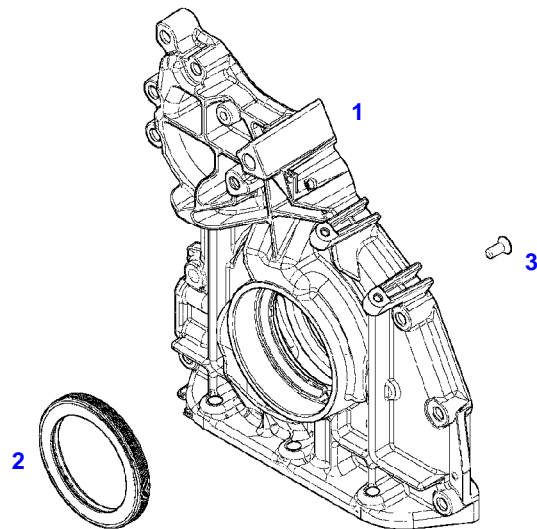
For more complete manuals. Please go to the home page.

<https://www.ebooklibonline.com>

If the above button click is invalid. Please download this document first, and then click the above link to download the complete manual.

Thank you so much for reading

FENDT 828 VARIO SCR (836/00101-99999)
41199



041199

| Item | Part Number | Qty | Description Comments |
|------|-------------|-----|--|
| | | | INTEGRATED OIL PUMP ENGINE NUMBER --> 10896733 |
| 1 | 72479485 | 1 | CRANKCASE END COVER INTEGRATED OIL PUMP ><2,3 |
| 2 | 72479487 | 1 | SHAFT SEAL |
| 3 | 72416228 | 8 | COUNTERSUNK CAPSCREW M6X16 |

<https://www.ebooklibonline.com>

Hello dear friend!

Thank you very much for reading.

Enter the link into your browser.

The full manual is available for immediate download.

<https://www.ebooklibonline.com>