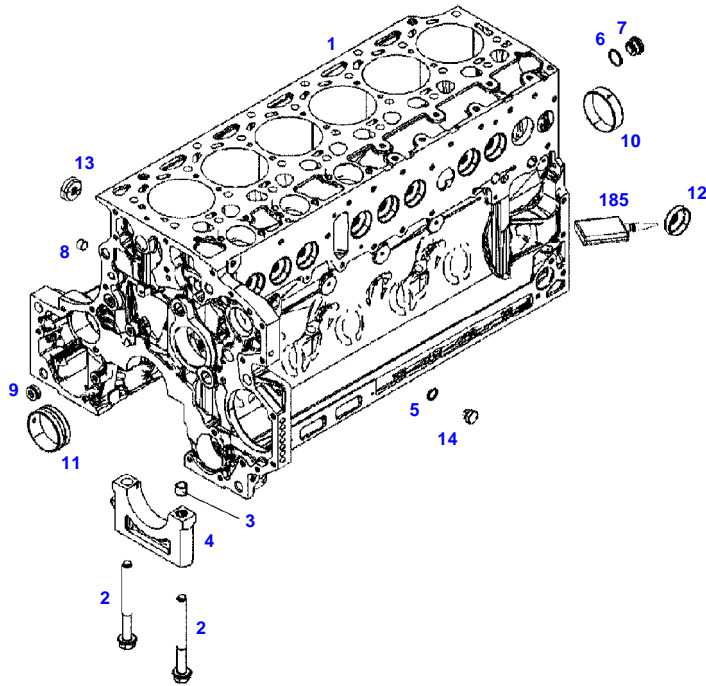


**TABLE OF CONTENT**

<b>Page Number</b>	<b>Page Title</b>	<b>Page Reference</b>
01-000-TOC	ENGINE, FUEL AND EXHAUST SYSTEM	01-000-TOC
02-000-TOC	AXLES	02-000-TOC
03-000-TOC	STEERING SYSTEM	03-000-TOC
04-000-TOC	DRIVE TRAIN SYSTEM	04-000-TOC
05-000-TOC	COMPRESSED AIR SYSTEM	05-000-TOC
06-000-TOC	HYDRAULIC SYSTEM	06-000-TOC
07-000-TOC	ELECTRICAL SYSTEM	07-000-TOC
08-000-TOC	CAB	08-000-TOC
09-000-TOC	AIR CONDITIONING AND HEATING SYSTEM	09-000-TOC
10-000-TOC	CHASSIS	10-000-TOC
11-000-TOC	WHEELS	11-000-TOC
12-000-TOC	IMPLEMENT LIFT SYSTEM FRONT	12-000-TOC
13-000-TOC	IMPLEMENT LIFT SYSTEM REAR	13-000-TOC
14-000-TOC	FRONT/REAR LOADERS	14-000-TOC
15-000-TOC	PRECISION FARMING SYSTEMS	15-000-TOC
16-000-TOC	ACCESSORIES	16-000-TOC

FENDT 828 S4 (EEA - NON SCR) 842/01001-99999  
CRANKCASE



050701

## CRANKCASE

Item	Part Number	Qty	Description Comments	Technical Specification
	E842201010100	1	DIESEL ENGINE	F842
1	F842201210010	1	CRANKCASE >< 2-14	
2	F716201210030	14	HEXAGONAL HEAD BOLT	
3	F395200210040	14	ADAPTER BUSH	
4			NOT AVAILABLE IN SINGLE PARTS	
5	X540204200000	2	SEALING WASHER	DIN 7603 D14X20-CU-VERZINNT
6	F731200210190	1	SEALING WASHER	
7	F731200210150	1	SCREW	
8	F717200210040	2	SCREW	
9	F001200210030	1	LOCKING PLUG	
10	F842201210020	6	BEARING BUSHING	
11	F836200210380	1	BEARING BUSHING	
12	F119200210070	9	CORE HOLE PLUG	
13	F119200210080	6	CORE HOLE PLUG	
14	X494203800000	2	PLUG	DIN 7604 AM14X1,5-A3L
185	X903050084000	1	LOCTITE	243 10ML

**<https://www.ebooklibonline.com>**

Hello dear friend!

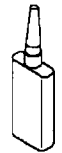
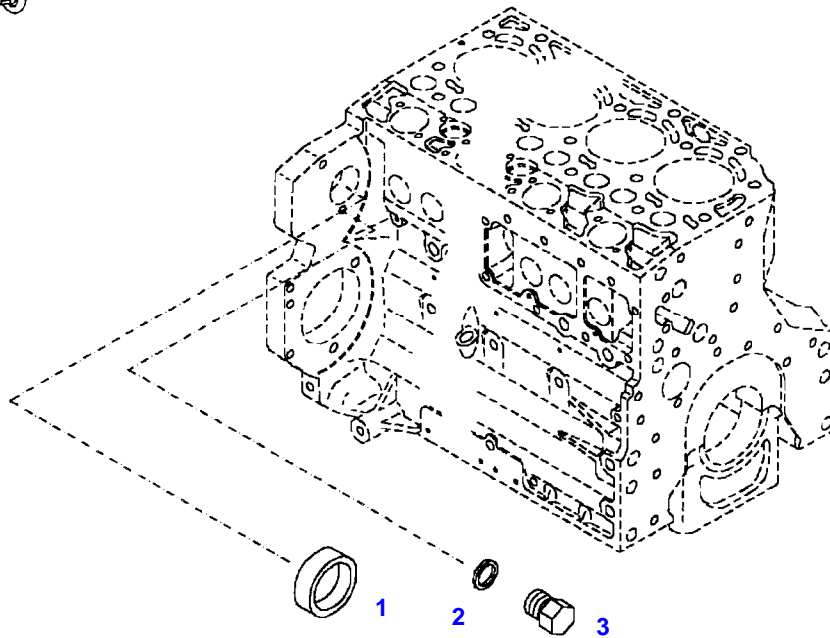
Thank you very much for reading.

Enter the link into your browser.

The full manual is available for immediate download.

**<https://www.ebooklibonline.com>**

FENDT 828 S4 (EEA - NON SCR) 842/01001-99999  
CRANKCASE



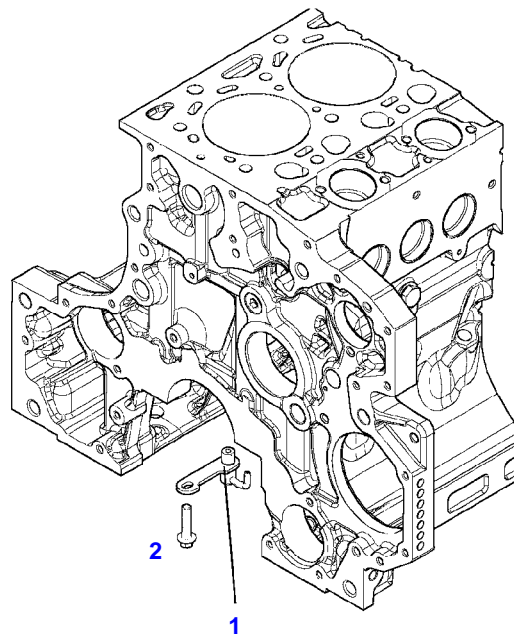
185

040457

---

Item	Part Number	Qty	Description Comments	Technical Specification
<b>BLANKING PARTS</b>				
1	F100001165839	1	CORE HOLE PLUG	
2	X540002478000	2	SEALING WASHER	DIN 7603 A10X13,5-CU
3	F100001215567	2	PLUG	
185	F119200210850	1	SAFE.LOCK AGENT	

FENDT 828 S4 (EEA - NON SCR) 842/01001-99999  
CRANKCASE



041197

---

Fendt

FENDT 828 S4 (EEA - NON SCR) 842/01001-99999

F842003

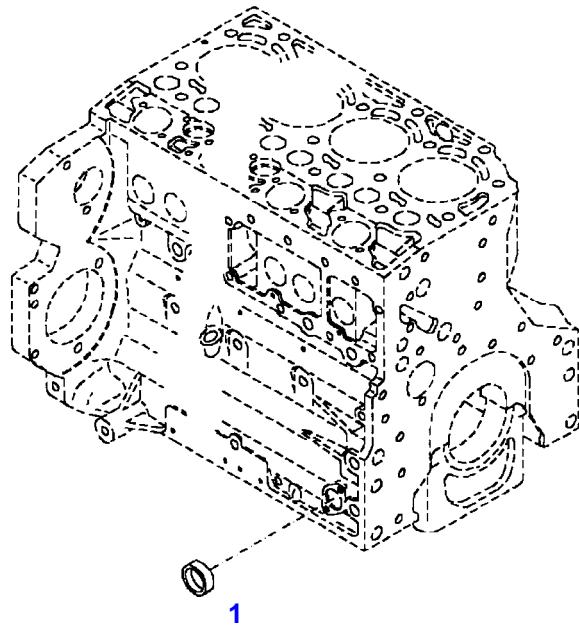
CRANKCASE

Page01-0003

---

Item	Part Number	Qty	Description Comments	Technical Specification
			PISTON COOL.NOZZLE	
1	F842201210030	6	PISTON COOLING JET	
2	F416200210030	6	HEXAGONAL HEAD BOLT	M8X35

FENDT 828 S4 (EEA - NON SCR) 842/01001-99999  
CRANKCASE



040194

1

185



Fendt

FENDT 828 S4 (EEA - NON SCR) 842/01001-99999

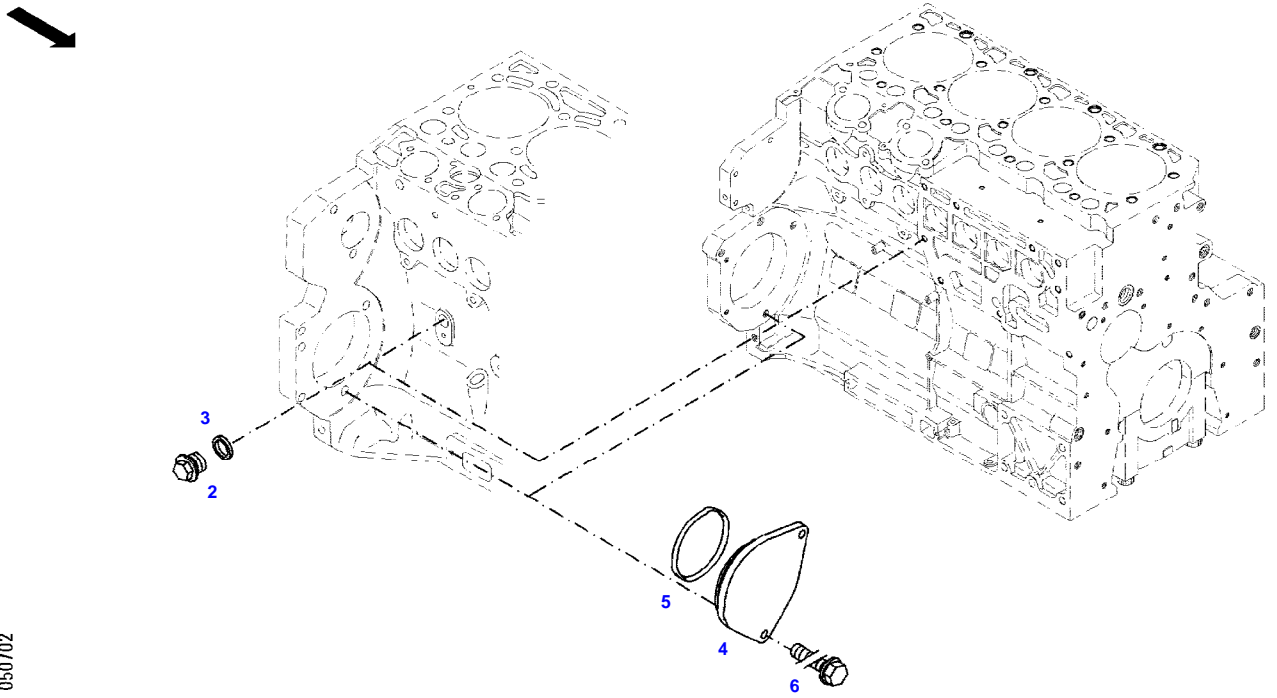
F842003

CRANKCASE

Page01-0004

Item	Part Number	Qty	Description Comments
			<b>LOCKING PLUG</b>
1	F119200210080	1	CORE HOLE PLUG
185	F119200210850	1	SAFE.LOCK AGENT

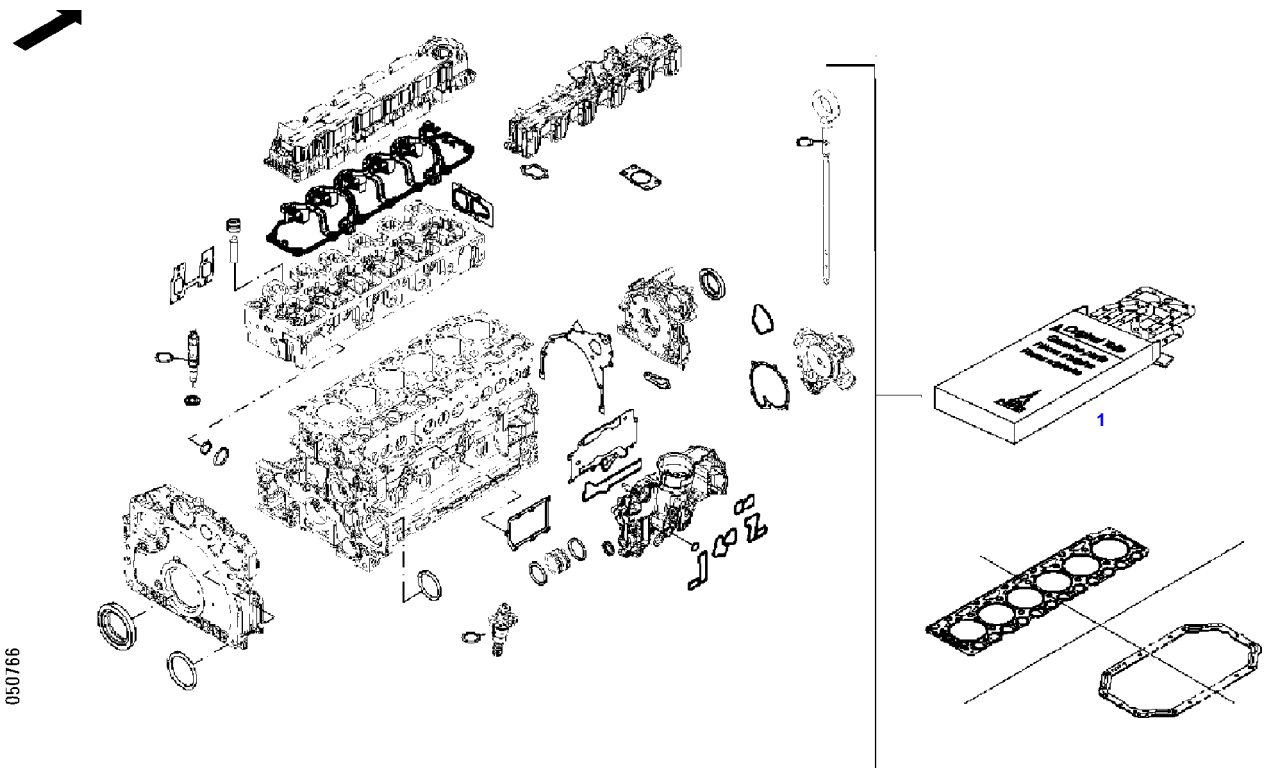
FENDT 828 S4 (EEA - NON SCR) 842/01001-99999  
CRANKCASE



050702

Item	Part Number	Qty	Description Comments	Technical Specification
<b>BLANKING PARTS</b>				
2	X494203800000	1	PLUG NOT NEEDED WITH AIR BRAKE	DIN 7604 AM14X1,5-A3L
3	X540004078000	1	SEALING WASHER NOT NEEDED WITH AIR BRAKE	DIN 7603 A14X18-CU
4	F412201210020	1	COVER NOT NEEDED WITH AIR BRAKE	
5	F716201210090	1	SEAL 96X4MM NOT NEEDED WITH AIR BRAKE	
6	F339900040220	1	HEXAGONAL HEAD BOLT NOT NEEDED WITH AIR BRAKE	

FENDT 828 S4 (EEA - NON SCR) 842/01001-99999  
SET OF GASKETS - MOTOR



050766

---

Fendt

---

FENDT 828 S4 (EEA - NON SCR) 842/01001-99999

F842003

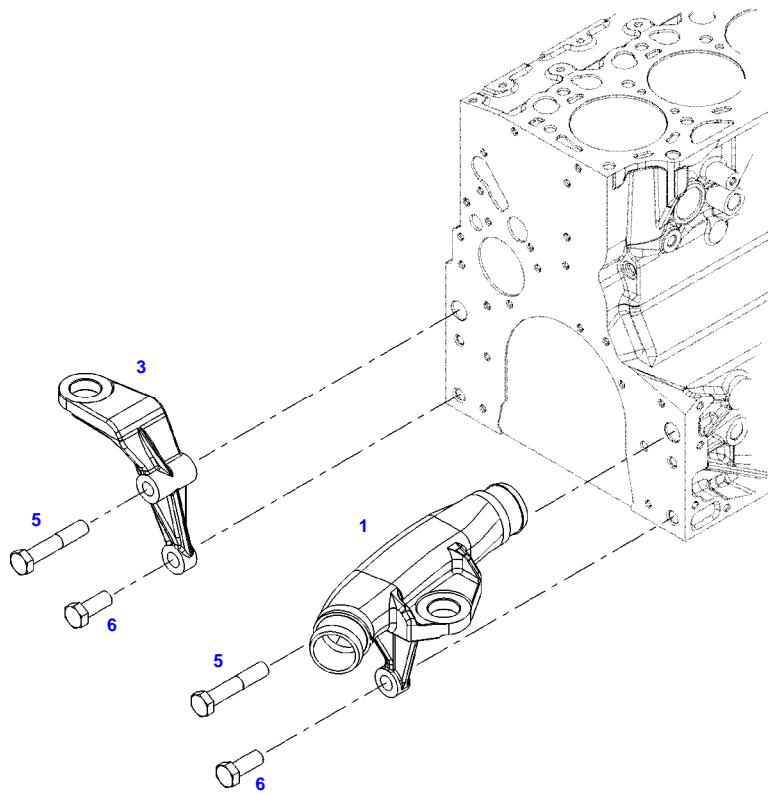
---

SET OF GASKETS - MOTOR

Page01-0006

Item	Part Number	Qty	Description Comments
1	F842201210040	1	SEAL KIT WITHOUT CYLINDER HEAD GASKET

FENDT 828 S4 (EEA - NON SCR) 842/01001-99999  
ENGINE MOUNTINGS

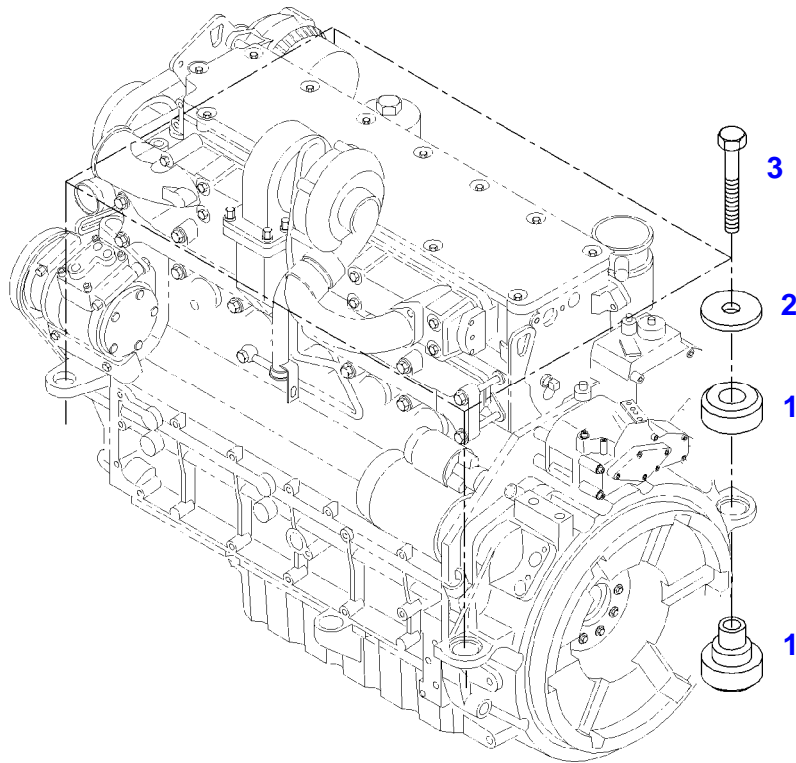


050822

## ENGINE MOUNTINGS

Item	Part Number	Qty	Description Comments	Technical Specification
1	842201010010	1	HOLDER LEFT	L
3	835200010020	1	ENGINE MOUNT RIGHT	
5	X486546406000	2	HEXAGONAL HEAD BOLT	DIN 931-M16X85 GWA-10.9
6	X487545200000	2	HEXAGONAL HEAD BOLT	DIN 933 M16X40 GWA-10.9

FENDT 828 S4 (EEA - NON SCR) 842/01001-99999  
ENGINE BEARINGS



035107

---

Fendt

FENDT 828 S4 (EEA - NON SCR) 842/01001-99999

F842003

ENGINE BEARINGS

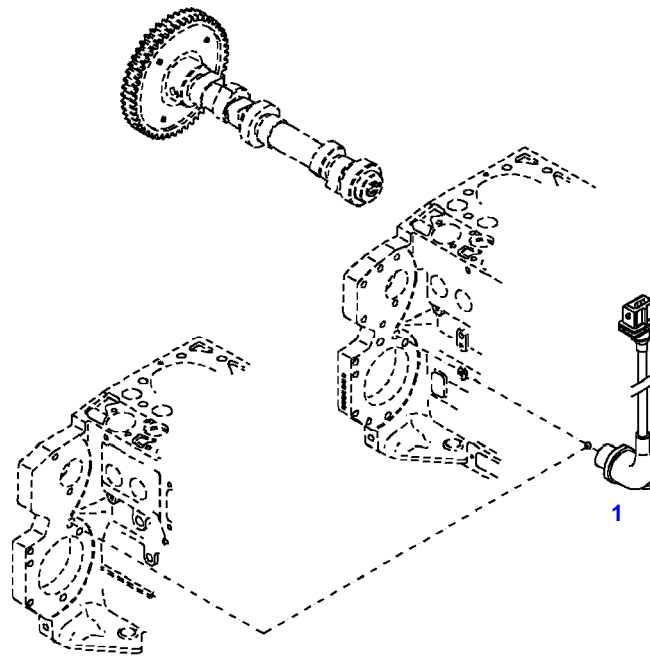
Page01-0008

---

Item	Part Number	Qty	Description Comments	Technical Specification
1	G842200010110	4	ENGINE SUSPENSION	
2	716200010010	4	DISC	
3	X486536641000	4	HEXAGONAL HEAD BOLT	DIN 931 M12X80-8.8A3L

FENDT 828 S4 (EEA - NON SCR) 842/01001-99999  
TRANSMITTER

---



035320

Fendt

FENDT 828 S4 (EEA - NON SCR) 842/01001-99999

F842003

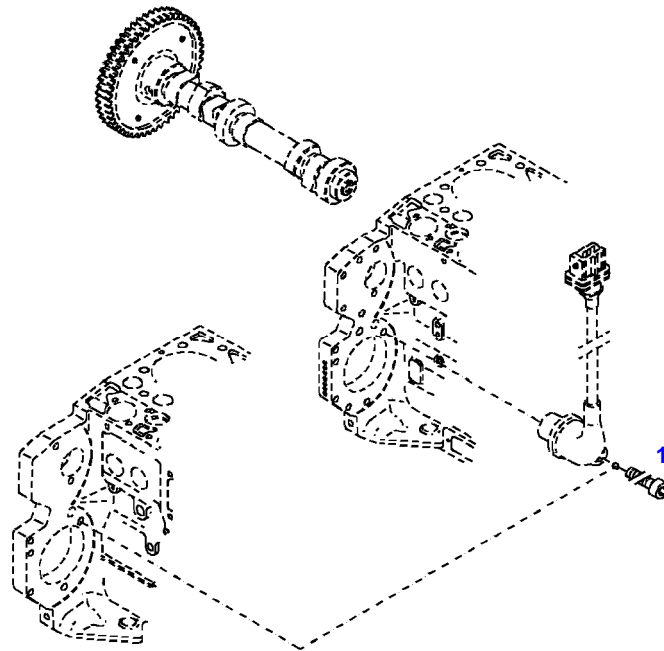
TRANSMITTER

Page01-0009

Item	Part Number	Qty	Description Comments
			ENGINE SPEED EDC
1	F339202210090	1	TRANSMITTER ENGINE SPEED EDC

FENDT 828 S4 (EEA - NON SCR) 842/01001-99999  
TRANSMITTER

---



035317

Fendt

FENDT 828 S4 (EEA - NON SCR) 842/01001-99999

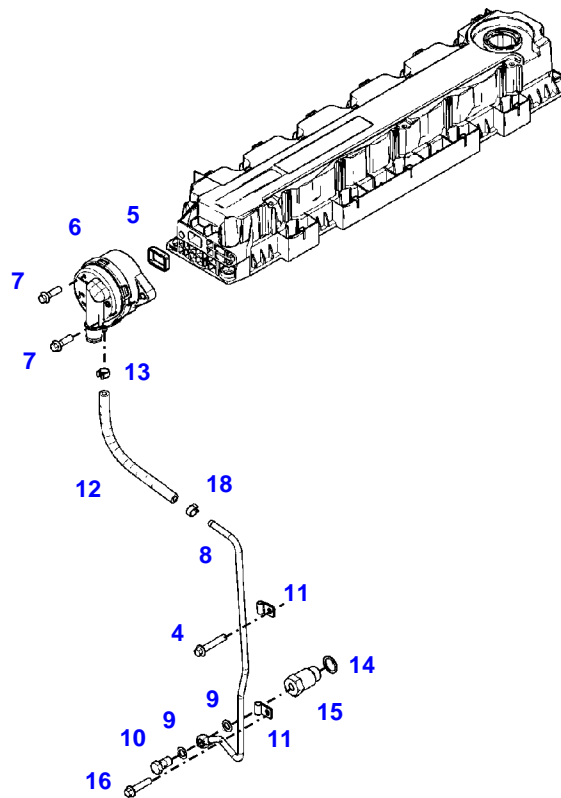
F842003

TRANSMITTER

Page01-0010

Item	Part Number	Qty	Description Comments	Technical Specification
			ENGINE SPEED FASTENINGS	
1	X485004405000	1	SOCKET HEAD BOLT	DIN 912 M6X16-8.8

FENDT 828 S4 (EEA - NON SCR) 842/01001-99999  
CRANKCASE BREATHER

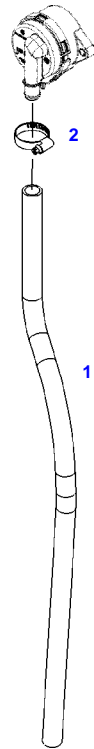


041242

Item	Part Number	Qty	Description Comments
4	F119200510110	1	HEXAGONAL HEAD BOLT M8X50
5	725200010251	1	SEAL
6	F339202210280	1	CRANKSHAFT HOUSING VENTILATION ><5
7	F119200090080	2	HEXAGONAL HEAD BOLT M8X30
8	F836200210400	1	OIL RETURN LINE ><9-13
9	F731200210180	2	SEALING WASHER
10	F100001119241	1	BANJO BOLT
11	F716201210630	2	PIPE CLAMP
12	F836200210410	1	RUBBER HOSE
13	F731200210200	1	HOSE CLIP
14	F731200210190	1	SEALING WASHER
15	F716201210610	1	LOCK VALVE
16	F119200510150	1	HEXAGONAL HEAD BOLT M8X40
18	F731200210200	1	HOSE CLIP

FENDT 828 S4 (EEA - NON SCR) 842/01001-99999  
CRANKCASE BREATHER

---



050819

Fendt

FENDT 828 S4 (EEA - NON SCR) 842/01001-99999

F842003

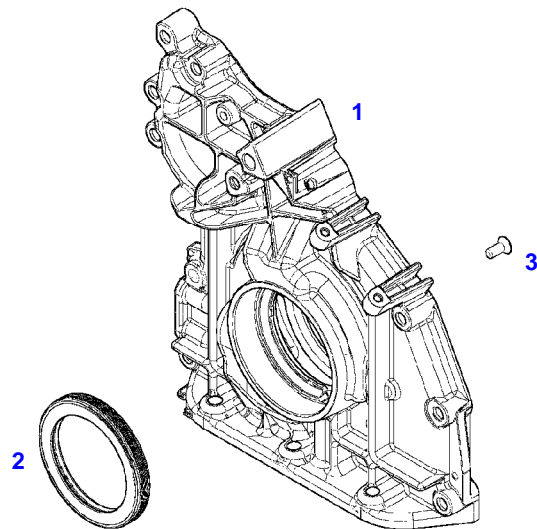
CRANKCASE BREATHER

Page01-0012

Item	Part Number	Qty	Description Comments
			<b>BREATHER TUBE</b>
1	842201010100	1	HOSE SUPERSESSION
	339202010010	1	HOSE SERIES EXECUTION NO LONGER AVAILABLE
2	X458651300000	1	HOSE CLIP

FENDT 828 S4 (EEA - NON SCR) 842/01001-99999  
FRONT COVER

---



041199

---

Fendt

FENDT 828 S4 (EEA - NON SCR) 842/01001-99999

F842003

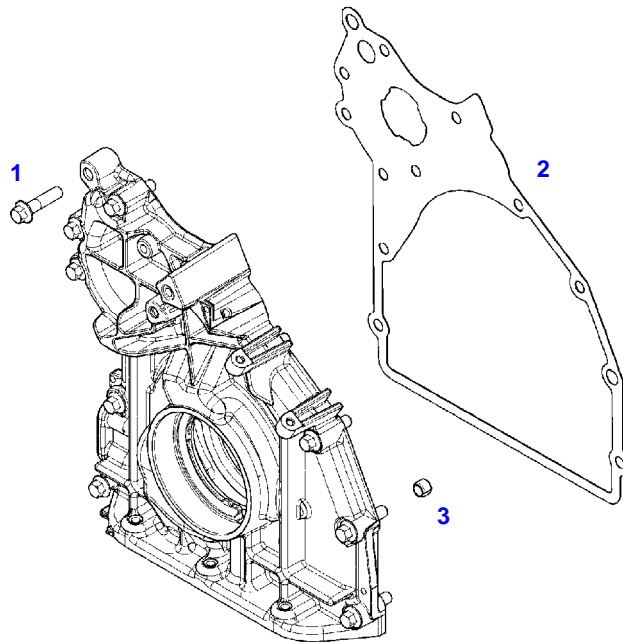
FRONT COVER

Page01-0013

---

Item	Part Number	Qty	Description Comments
			<b>INTEGRATED OIL PUMP</b>
1	F836200210280	1	CRANKCASE END COVER INTEGRATED OIL PUMP ><2,3
2	F836200210080	1	SHAFT SEAL
3	F411201210080	8	COUNTERSUNK CAPSCREW M6X16

FENDT 828 S4 (EEA - NON SCR) 842/01001-99999  
FRONT COVER



041243

Fendt

FENDT 828 S4 (EEA - NON SCR) 842/01001-99999

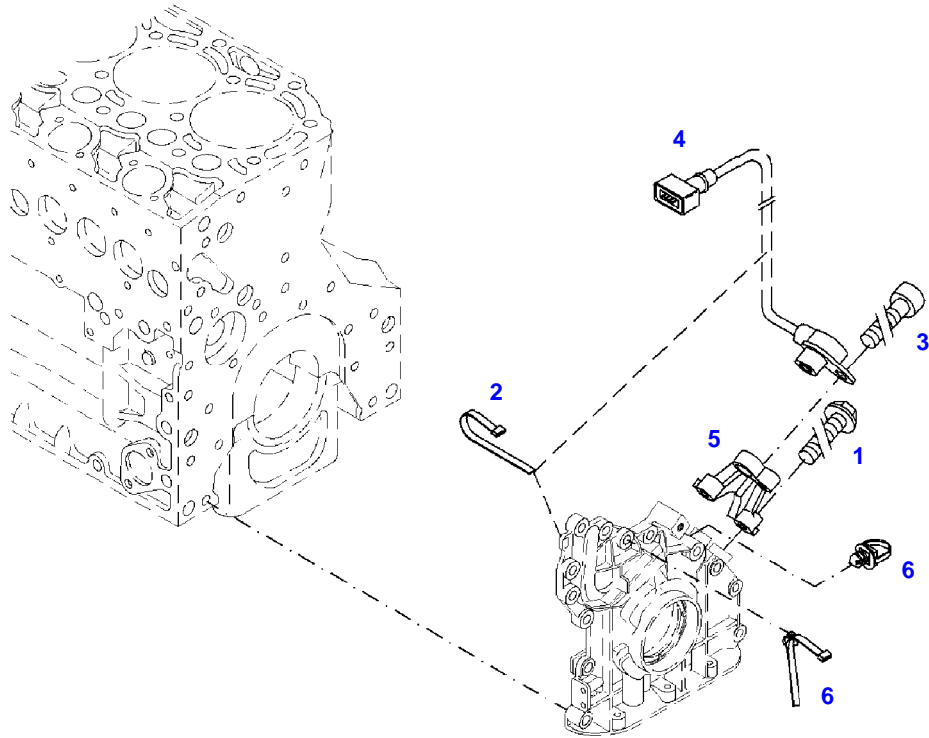
F842003

FRONT COVER

Page01-0014

Item	Part Number	Qty	Description Comments	Technical Specification
<b>FASTENINGS</b>				
1	F416200210030	12	HEXAGONAL HEAD BOLT M8X35	M8X35
2	F836200210300	1	SEAL	
3	F119200210340	1	TENSIONER BUSH	

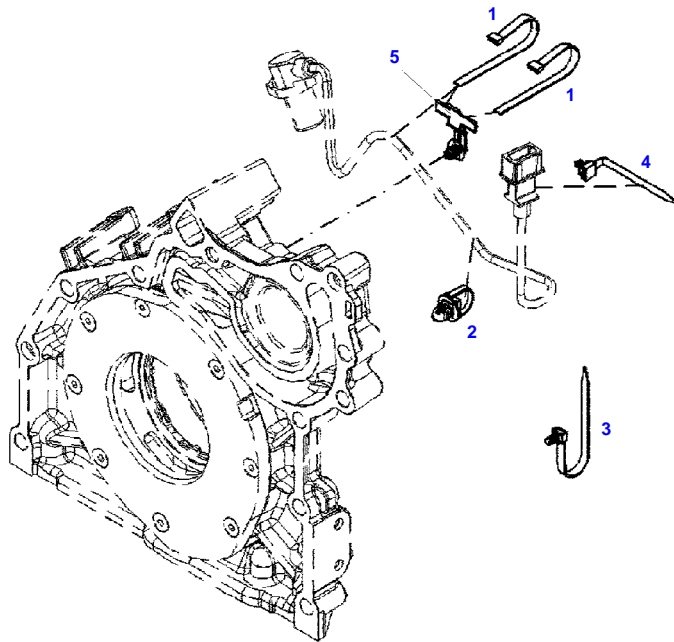
FENDT 828 S4 (EEA - NON SCR) 842/01001-99999  
TRANSMITTER



041001

Item	Part Number	Qty	Description Comments	Technical Specification
			<b>ENGINE SPEED EDC</b>	
1	F339202210170	2	HEXAGONAL HEAD BOLT M6X30	
2	F149200090100	1	RETAINING STRAP	
3	X485004405000	1	SOCKET HEAD BOLT	DIN 912 M6X16-8.8
4	F339202210180	1	TRANSMITTER ENGINE SPEED EDC	
5	F731200210250	1	RETAINER	
6	F731200210170	2	RETAINING STRAP	

FENDT 828 S4 (EEA - NON SCR) 842/01001-99999  
TRANSMITTER



050763

Fendt

FENDT 828 S4 (EEA - NON SCR) 842/01001-99999

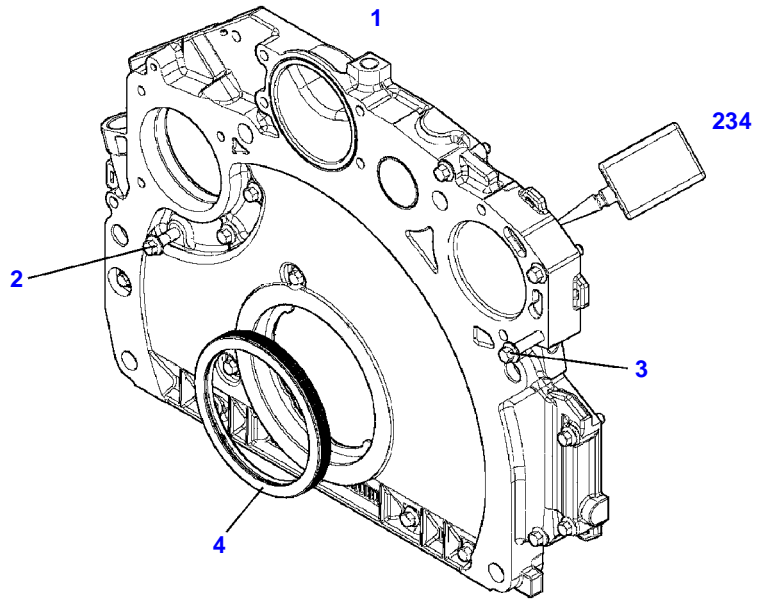
F842003

TRANSMITTER

Page01-0016

Item	Part Number	Qty	Description Comments
			ENGINE SPEED EDC FASTENINGS ENG.NO. <-- 11578682 --> 19999999
1	F149200090100	2	RETAINING STRAP
2	F731200210170	1	RETAINING STRAP
3	F946900040050	1	RETAINING STRAP
4	F339900040110	1	RETAINING STRAP
5	F842900040290	1	PLASTIC CLIP

FENDT 828 S4 (EEA - NON SCR) 842/01001-99999  
GEARCASE



041231

---

Fendt

FENDT 828 S4 (EEA - NON SCR) 842/01001-99999

F842003

GEARCASE

Page01-0017

---

Item	Part Number	Qty	Description Comments	Technical Specification
1	F737200210070	1	WHEEL BOX	
2	F416200210030	12	HEXAGONAL HEAD BOLT M8X35	M8X35
3	F119200210700	3	HEXAGONAL HEAD BOLT M8X45	
4	F836200210090	1	SHAFT SEAL	
234	F119200210900	1	SEALING COMPOUND	



**Suggest:**

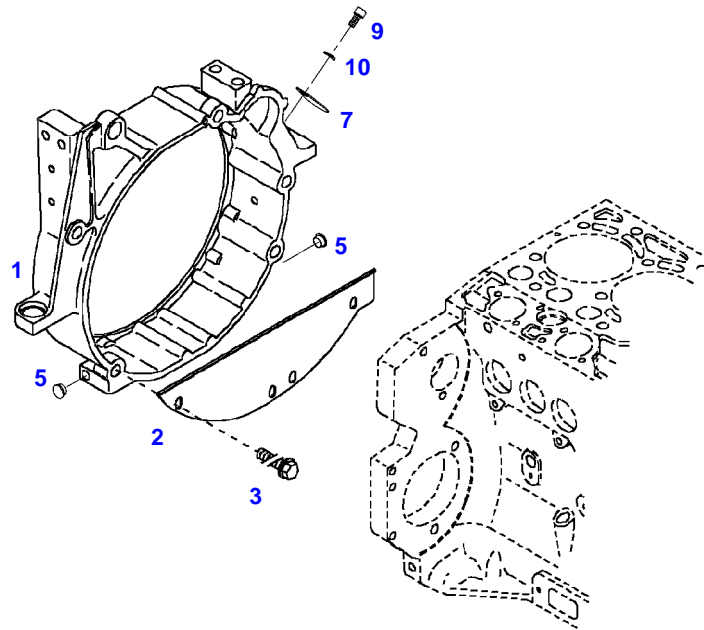
**For more complete manuals. Please go to the home page.**

**<https://www.ebooklibonline.com>**

**If the above button click is invalid. Please download this document first, and then click the above link to download the complete manual.**

**Thank you so much for reading**

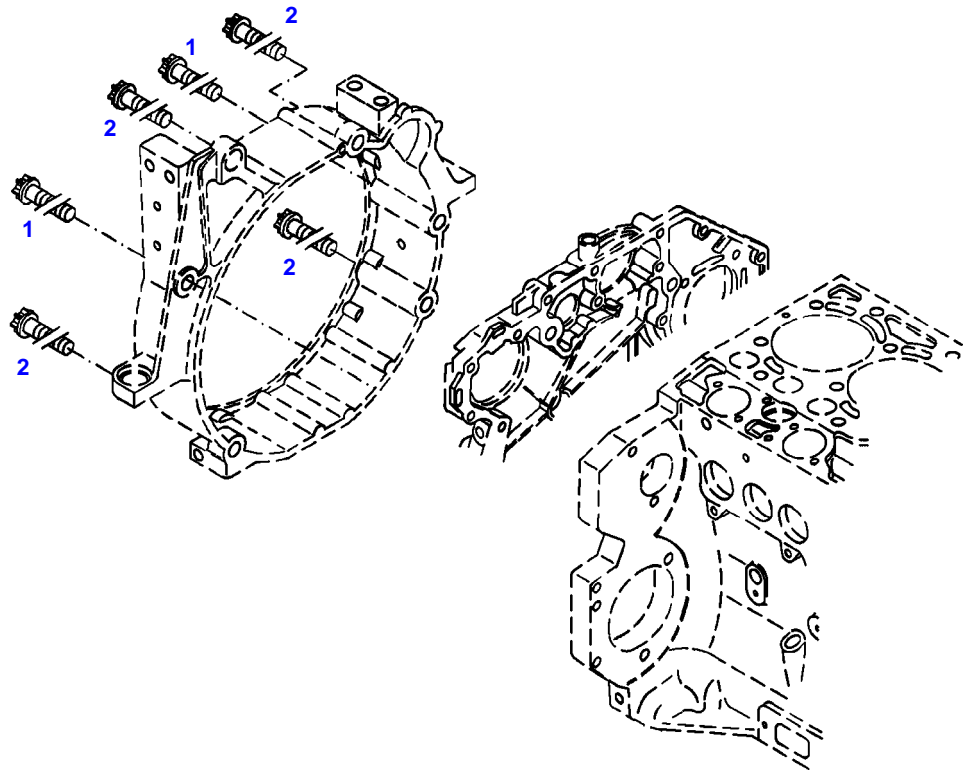
FENDT 828 S4 (EEA - NON SCR) 842/01001-99999  
ADAPTER HOUSING



036037

Item	Part Number	Qty	Description Comments	Technical Specification
1	F416200210020	1	CONNECTING HOUSING ><2,3	
2	F716201010040	1	COVER PANEL	
3	F119200090150	3	HEXAGONAL HEAD BOLT M6X12	
5	X499501100000	2	LOCKING PLUG	F5
7	716970020010	1	COVER PANEL	
9	X485009405000	1	SOCKET HEAD BOLT	DIN 912-M8X16-8.8-A3L
10	X450006308000	1	DISC	DIN 125-8,4-ST.A3L

FENDT 828 S4 (EEA - NON SCR) 842/01001-99999  
ADAPTER HOUSING



035405

**<https://www.ebooklibonline.com>**

Hello dear friend!

Thank you very much for reading.

Enter the link into your browser.

The full manual is available for immediate download.

**<https://www.ebooklibonline.com>**