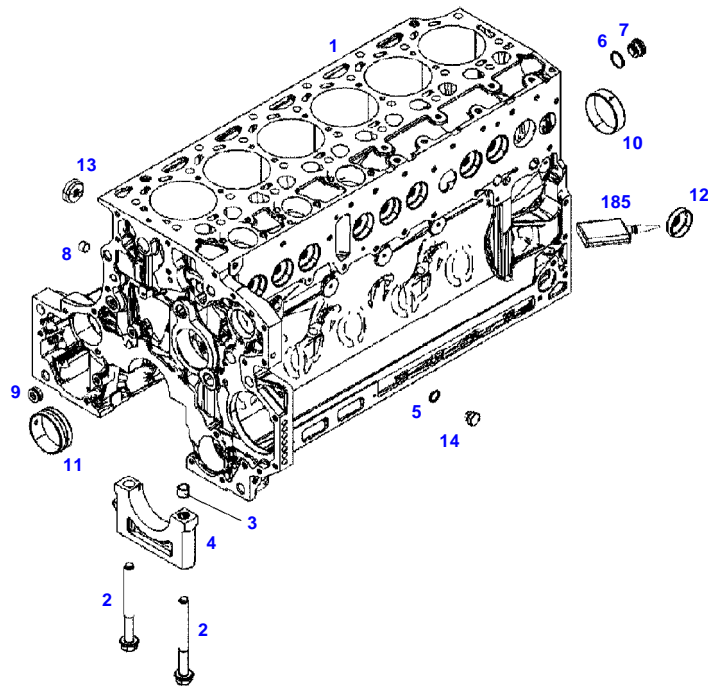


**TABLE OF CONTENT**

<b>Page Number</b>	<b>Page Title</b>	<b>Page Reference</b>
01-000-TOC	ENGINE, FUEL AND EXHAUST SYSTEM	01-000-TOC
02-000-TOC	AXLES	02-000-TOC
03-000-TOC	STEERING SYSTEM	03-000-TOC
04-000-TOC	DRIVE TRAIN SYSTEM	04-000-TOC
05-000-TOC	COMPRESSED AIR SYSTEM	05-000-TOC
06-000-TOC	HYDRAULIC SYSTEM	06-000-TOC
07-000-TOC	ELECTRICAL SYSTEM	07-000-TOC
08-000-TOC	CAB	08-000-TOC
09-000-TOC	AIR CONDITIONING AND HEATING SYSTEM	09-000-TOC
10-000-TOC	CHASSIS	10-000-TOC
11-000-TOC	WHEELS	11-000-TOC
12-000-TOC	IMPLEMENT LIFT SYSTEM FRONT	12-000-TOC
13-000-TOC	IMPLEMENT LIFT SYSTEM REAR	13-000-TOC
14-000-TOC	PRECISION FARMING SYSTEMS	14-000-TOC
15-000-TOC	ACCESSORIES	15-000-TOC



050701

Item	Part Number	Qty	Description Comments	Technical Specification
			<b>UP TO ENGINE S/N 11630955</b>	
1	72608630	1	ENGINE	TTCD6.1L6
	72613033	1	CRANKCASE INCLUDES ITEMS 2-14	
2	72416467	14	HEXAGONAL HEAD BOLT	
3	72344342	14	ADAPTER BUSH	
4			NOT AVAILABLE IN SINGLE PARTS	
5	72456134	2	SEALING WASHER	DIN 7603 D14X20-CU-VERZINNT
6	72439874	1	SEALING WASHER	
7	72455559	1	PLUG SCREW	
8	72429347	2	SCREW	M14X1,5
9	72431135	1	LOCKING PLUG	
10	72613035	6	BEARING BUSHING	
11	72491822	1	BEARING BUSHING	
12	72325325	9	CORE HOLE PLUG	
13	72325326	6	CORE HOLE PLUG	
14	72315799	2	PLUG	DIN 7604 AM14X1,5-A3L
185	72381391	1	THREADLOCKER	LOCTITE 243 10ML

**<https://www.ebooklibonline.com>**

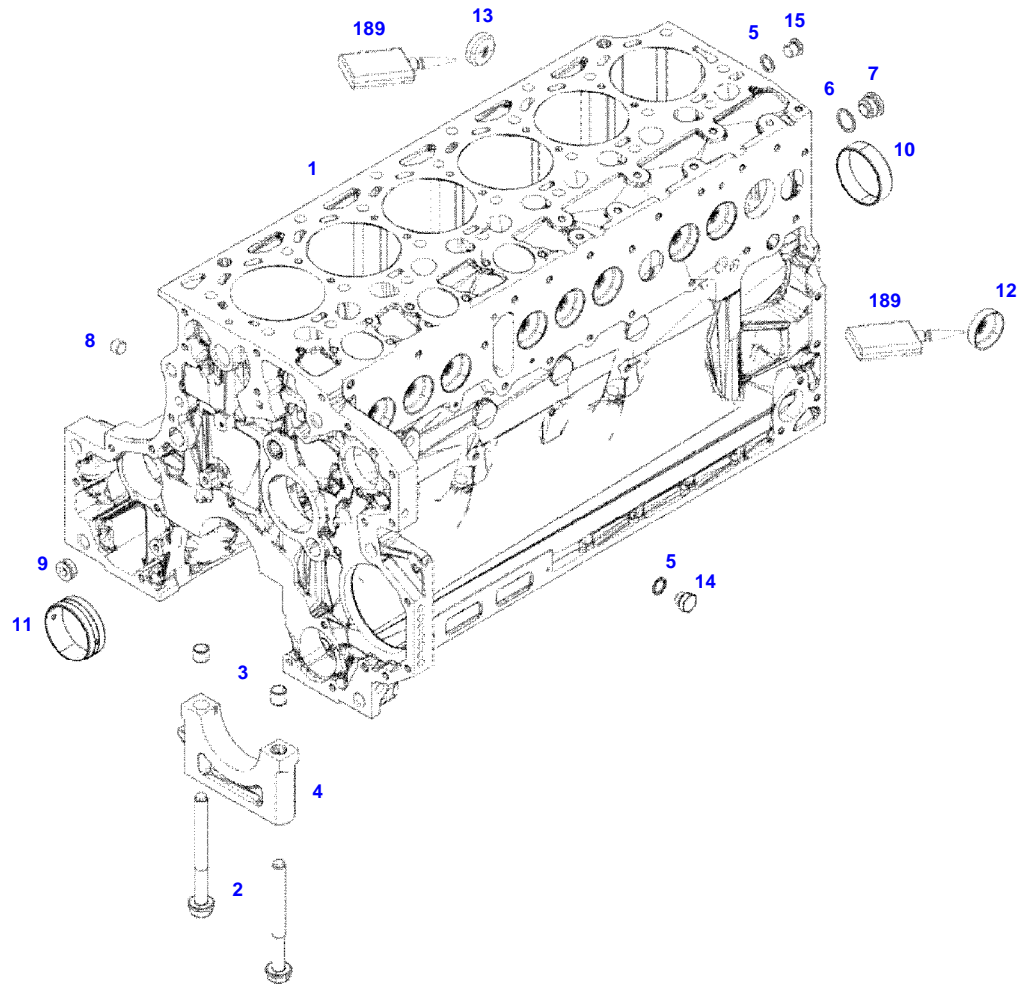
Hello dear friend!

Thank you very much for reading.

Enter the link into your browser.

The full manual is available for immediate download.

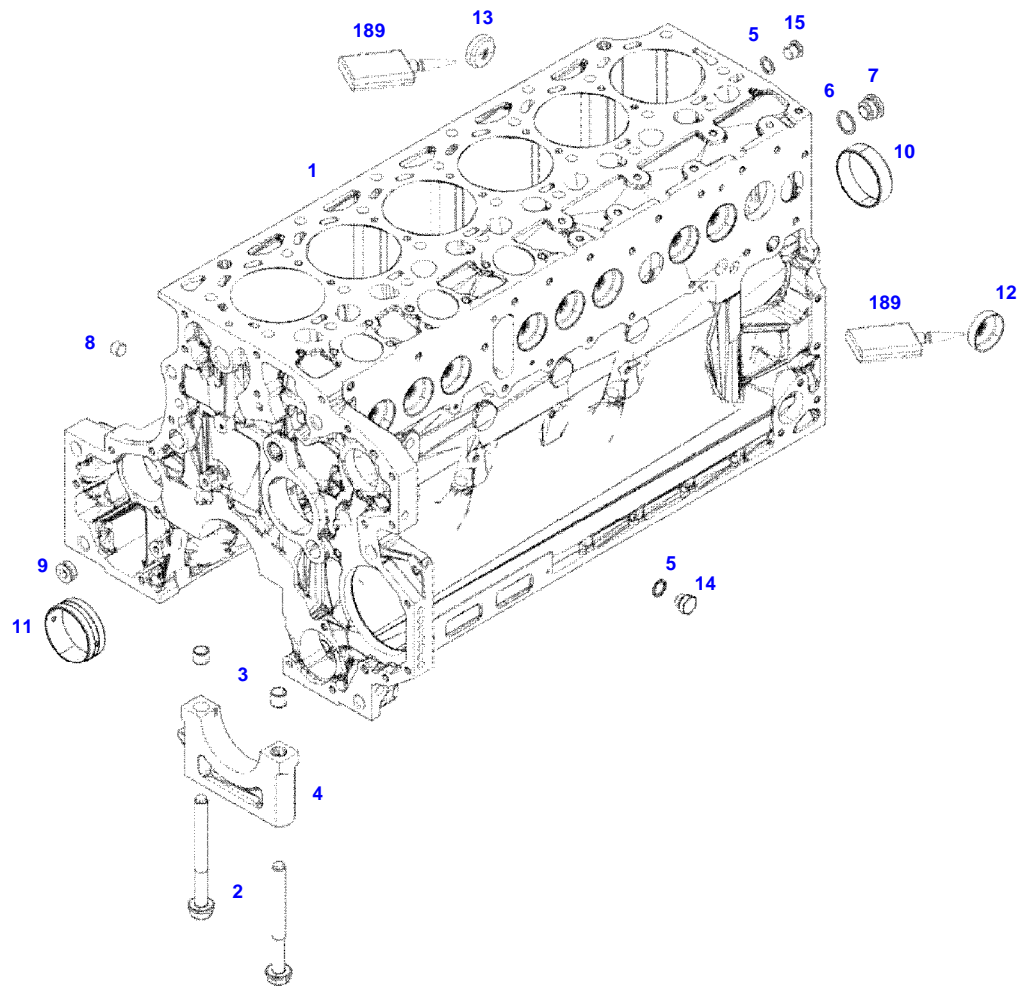
**<https://www.ebooklibonline.com>**



F061053



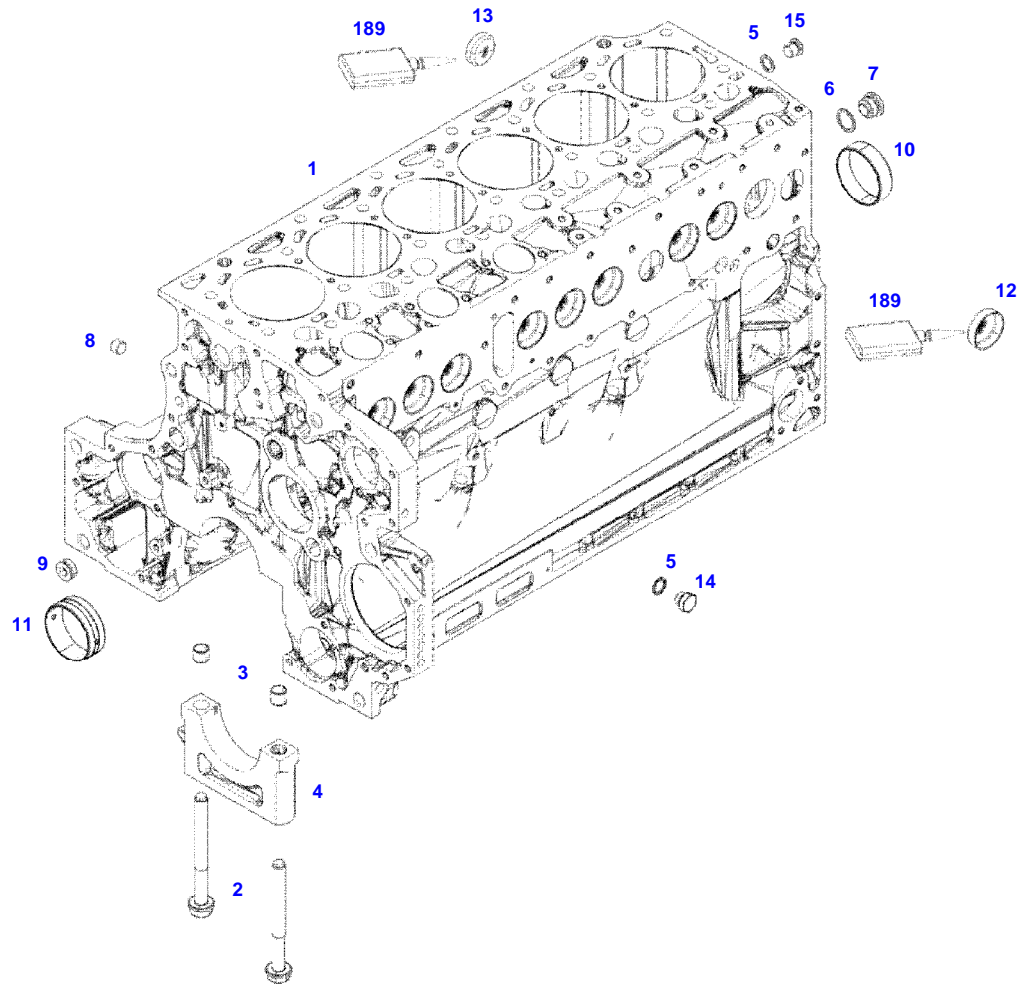
Item	Part Number	Qty	Description Comments	Technical Specification
			FROM - UP TO ENGINE S/N 11630956 - 11703295	
1	72608630	1	ENGINE	TTCD6.1L6
	72625853	1	CRANKCASE INCLUDES ITEMS 2-15	
2	72416467	14	HEXAGONAL HEAD BOLT	
3	72344342	14	ADAPTER BUSH	
4			NOT AVAILABLE IN SINGLE PARTS	
5	72456134	2	SEALING WASHER	DIN 7603 D14X20-CU-VERZINNT
6	72439874	1	SEALING WASHER	
7	72455559	1	PLUG SCREW	
8	72429347	2	SCREW	M14X1,5
9	72431135	1	LOCKING PLUG	
10	72613035	6	BEARING BUSHING	
11	72491822	1	BEARING BUSHING	
12	72325325	9	CORE HOLE PLUG	
13	72325326	6	CORE HOLE PLUG	
14	72315799	2	PLUG	DIN 7604 AM14X1,5-A3L
15	72315438	1	PLUG SCREW	DIN 908 M14X1,5-ST
189	72381391	1	THREADLOCKER	LOCTITE 243 10ML



F061053



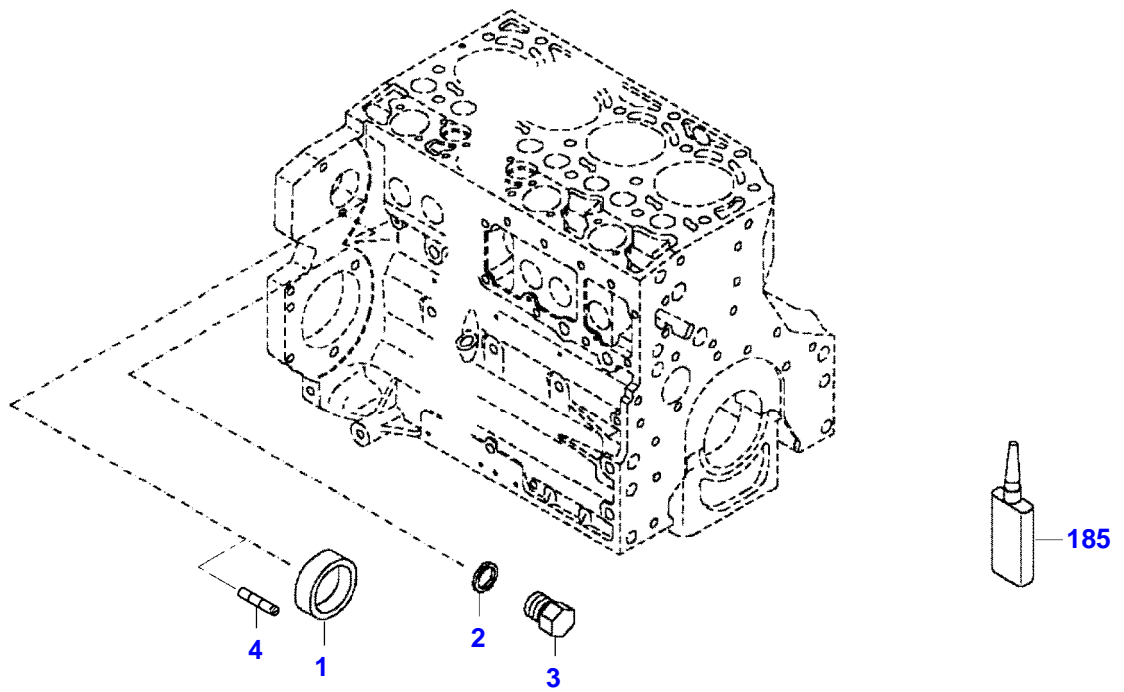
Item	Part Number	Qty	Description Comments	Technical Specification
			FROM - UP TO ENGINE S/N 11703296 - 12299951	
	72608630	1	ENGINE FROM - UP TO MACHINE S/N 841/101 - 841/1516	TTCD6.1L6
	72627986	1	ENGINE FROM MACHINE S/N 841/1517	TTCD6.1L6
1	72625854	1	CRANKCASE INCLUDES ITEMS 2-15	
2	72416467	14	HEXAGONAL HEAD BOLT	
3	72344342	14	ADAPTER BUSH	
4			NOT AVAILABLE IN SINGLE PARTS	
5	72456134	2	SEALING WASHER	DIN 7603 D14X20-CU-VERZINNT
6	72439874	1	SEALING WASHER	
7	72455559	1	PLUG SCREW	
8	72429347	2	SCREW	M14X1,5
9	72431135	1	LOCKING PLUG	
10	ACP0152940	6	FEMALE BEARING	
11	ACP0152930	1	FEMALE BEARING	
12	72325325	9	CORE HOLE PLUG	
13	72325326	6	CORE HOLE PLUG	
14	72315799	2	PLUG	DIN 7604 AM14X1,5-A3L
15	72315438	1	PLUG SCREW	DIN 908 M14X1,5-ST
189	72381391	1	THREADLOCKER	LOCTITE 243 10ML



F061053

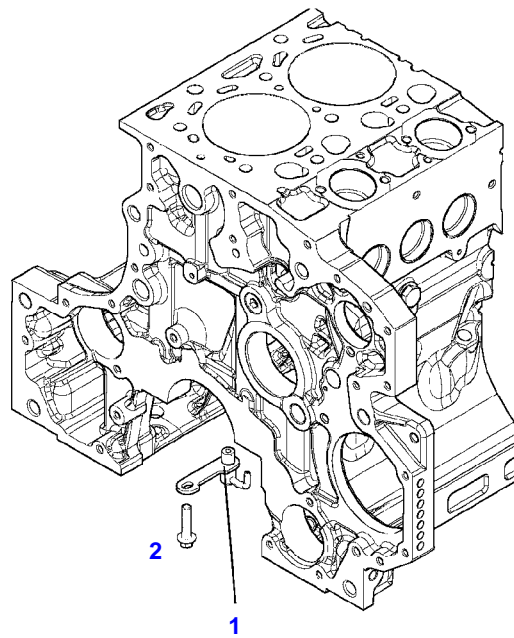


Item	Part Number	Qty	Description Comments	Technical Specification
			FROM ENGINE S/N 12299952	
	72608630	1	ENGINE FROM - UP TO MACHINE S/N 841/101 - 841/1516	TTCD6.1L6
	72627986	1	ENGINE FROM MACHINE S/N 841/1517	TTCD6.1L6
1	72625854	1	CRANKCASE INCLUDES ITEMS 2-15	
2	72416467	14	HEXAGONAL HEAD BOLT	
3	72344342	14	ADAPTER BUSH	
4				
			NOT AVAILABLE IN SINGLE PARTS	
5	72456134	2	SEALING WASHER	DIN 7603 D14X20-CU-VERZINNT
6	72439874	1	SEALING WASHER	
7	72455559	1	PLUG SCREW	
8	72429347	2	SCREW	M14X1,5
9	72431135	1	LOCKING PLUG	
10	ACP0152940	6	FEMALE BEARING	
11	ACP0152930	1	FEMALE BEARING	
12	72325325	9	CORE HOLE PLUG	
13	72325326	6	CORE HOLE PLUG	
14	72315799	2	PLUG	DIN 7604 AM14X1,5-A3L
15	72315438	1	PLUG SCREW	DIN 908 M14X1,5-ST
189	72381391	1	THREADLOCKER	LOCTITE 243 10ML



5786967-M-1

Item	Part Number	Qty	Description Comments	Technical Specification
<b>BLANKING PARTS</b>				
1	72627515	1	CORE HOLE PLUG UP TO ENGINE NUMBER 11982739	
	72628071	1	CAP COVER FROM ENGINE S/N 11982740	
2	72315088	2	SEALING WASHER	DIN 7603 A10X13,5-CU
3	72323677	2	PLUG	
4	72631860	2	THREADED PIN UP TO ENGINE S/N 12473099	
	72657969	2	PLUG SCREW FROM ENGINE S/N 12473100	
185	72325403	1	SAFE.LOCK AGENT UP TO ENGINE NUMBER 11982739	
	72493900	1	INSTALLATION AIDS FROM ENGINE S/N 11982740	



041197

---

Fendt

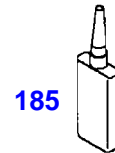
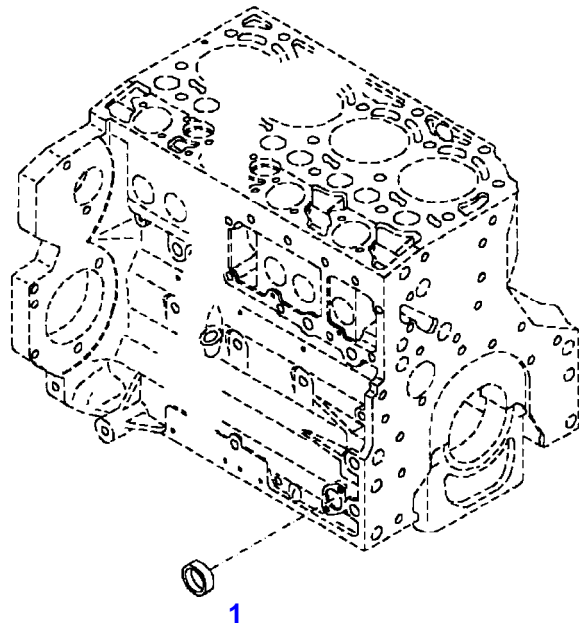
FENDT 826NA S4 (841/00101-05000) (WAM841XXX00F05001-99999)

F841105

CRANKCASE

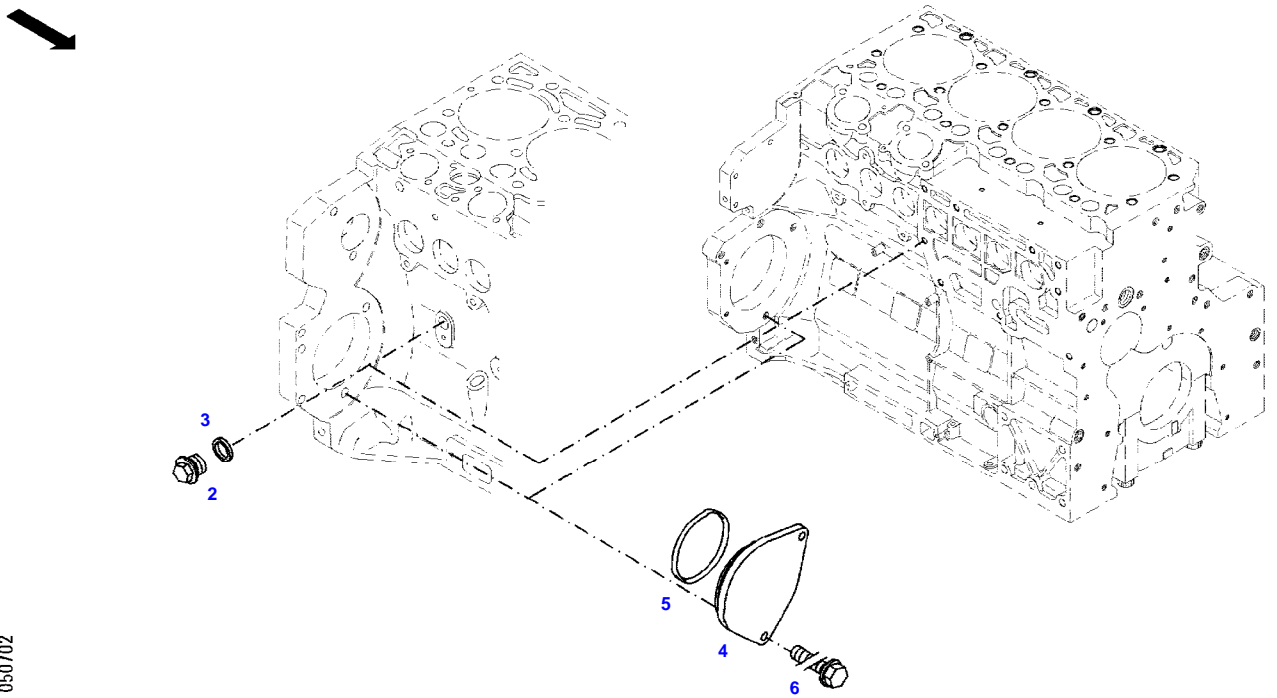
Page01-0006

Item	Part Number	Qty	Description Comments	Technical Specification
			PISTON COOL.NOZZLE	
1	72613036	6	PISTON COOLING JET	
2	72605244	6	HEXAGONAL HEAD BOLT	M8X35



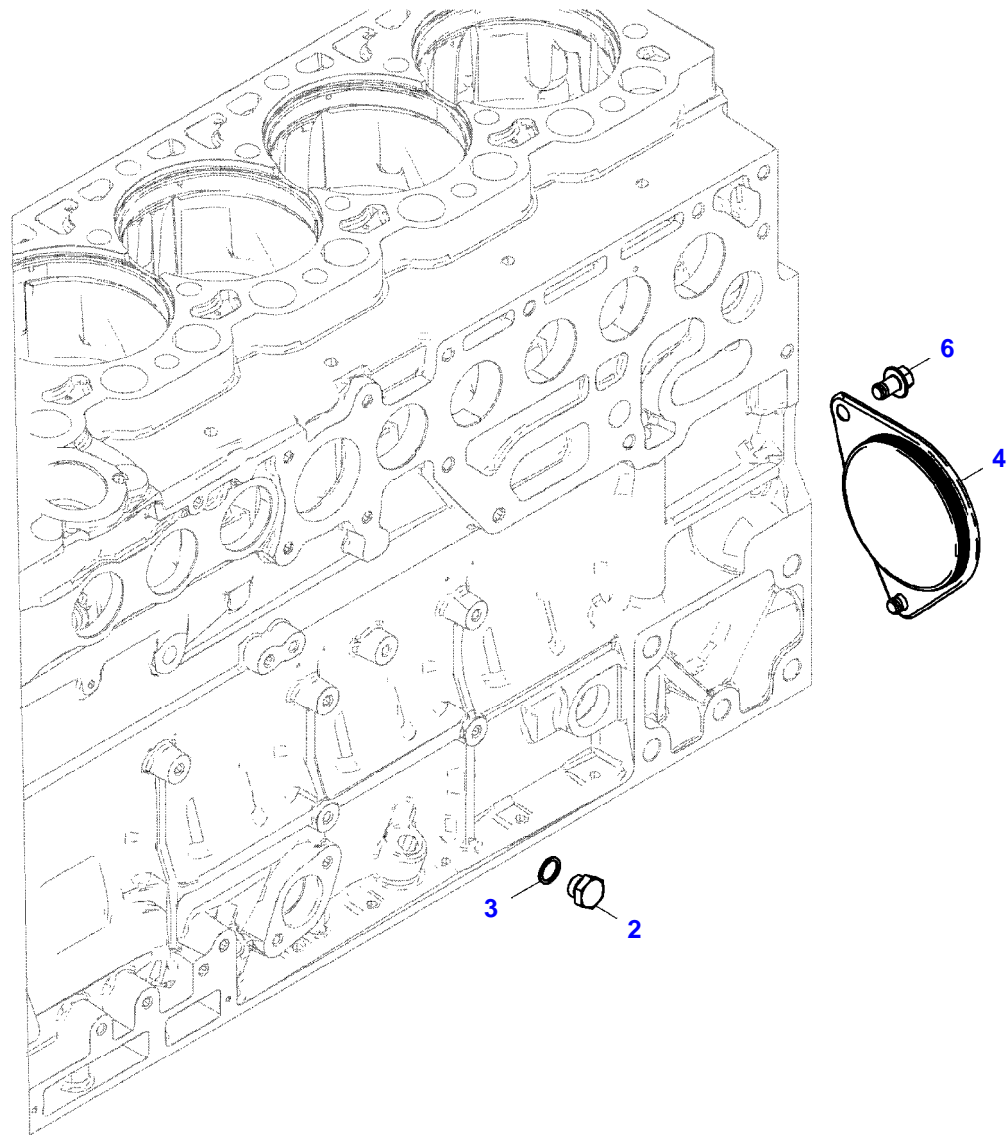
040194

Item	Part Number	Qty	Description Comments
			<b>LOCKING PLUG</b>
1	72325326	1	CORE HOLE PLUG UP TO ENGINE NUMBER 11982739
	72628072	1	CAP COVER FROM ENGINE S/N 11982740
185	72325403	1	SAFE.LOCK AGENT UP TO ENGINE NUMBER 11982739
	72493900	1	INSTALLATION AIDS FROM ENGINE S/N 11982740



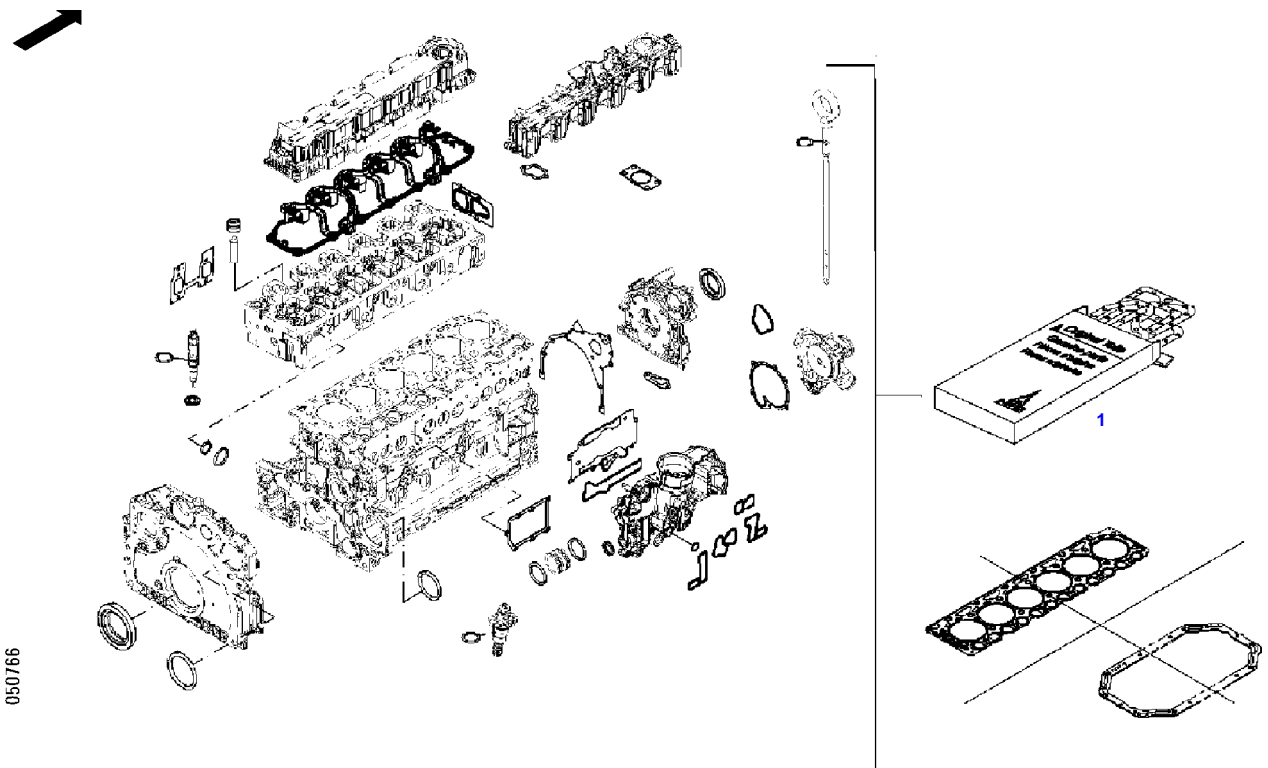
050702

Item	Part Number	Qty	Description Comments	Technical Specification
<b>BLANKING PARTS</b>				
2	72315799	1	PLUG NOT NEEDED WITH AIR BRAKE	DIN 7604 AM14X1,5-A3L
3	72439867	1	SEALING WASHER NOT NEEDED WITH AIR BRAKE	DIN7603-14X18-CU-VERZ
4	72431648	1	COVER NOT NEEDED WITH AIR BRAKE	
5	72416472	1	SEAL 96X4MM NOT NEEDED WITH AIR BRAKE	
6	72438057	1	HEXAGONAL HEAD BOLT NOT NEEDED WITH AIR BRAKE UP TO 2017-08	M10X20
	72657640	1	HEXAGONAL HEAD BOLT NOT NEEDED WITH AIR BRAKE FROM 2017-09	M10X16



25548786-M-1

Item	Part Number	Qty	Description Comments	Technical Specification
			<b>BLANKING PARTS FROM ENGINE S/N 12163402</b>	
2	72631866	1	PLUG SCREW NOT NEEDED WITH AIR BRAKE	
3	72439867	1	SEALING WASHER NOT NEEDED WITH AIR BRAKE	DIN7603-14X18-CU-VERZ
4	72657732	1	COVER NOT NEEDED WITH AIR BRAKE	
6	72657640	2	HEXAGONAL HEAD BOLT	M10X16



---

Fendt

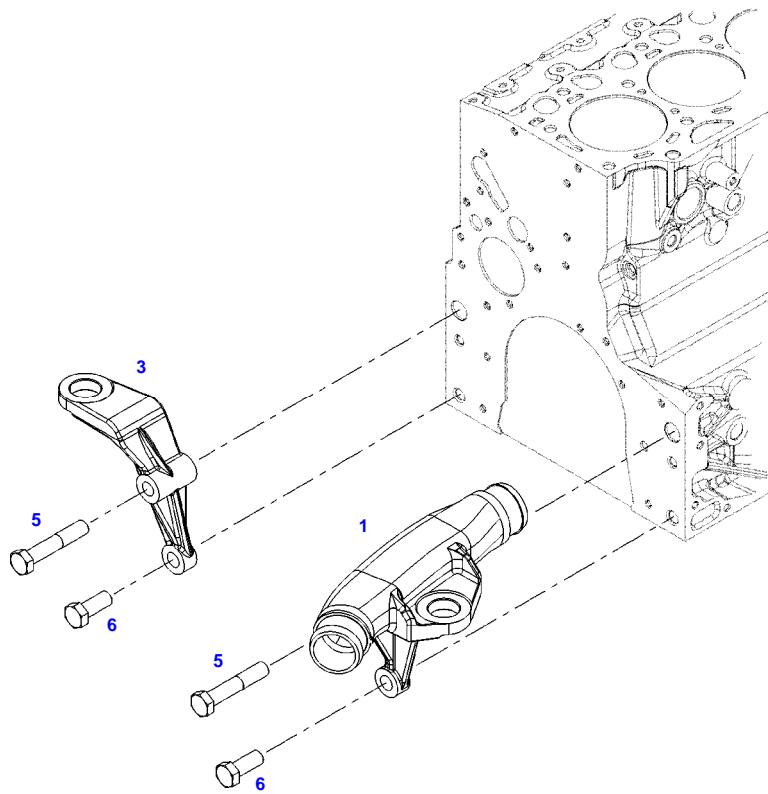
FENDT 826NA S4 (841/00101-05000) (WAM841XXX00F05001-99999)

F841105

SET OF GASKETS - MOTOR

Page01-0010

Item	Part Number	Qty	Description Comments
1	72613037	1	SEAL KIT WITHOUT CYLINDER HEAD GASKET



050822

Fendt

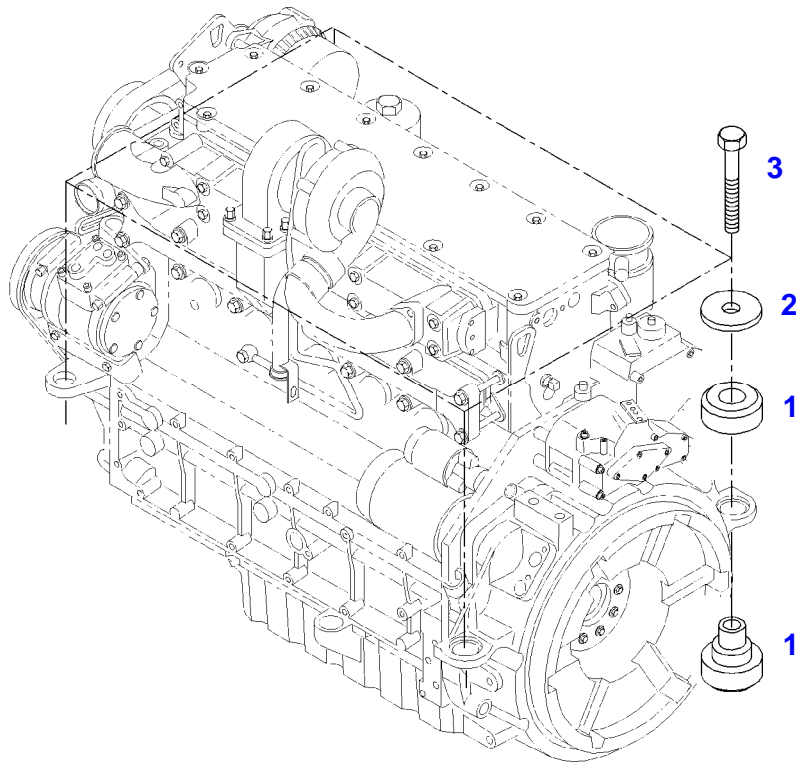
FENDT 826NA S4 (841/00101-05000) (WAM841XXX00F05001-99999)

F841105

ENGINE MOUNTINGS

Page01-0011

Item	Part Number	Qty	Description Comments	Technical Specification
1	72609225	1	HOLDER LEFT	L
3	72481061	1	ENGINE MOUNT RIGHT	
5	72374294	2	HEXAGONAL HEAD BOLT	DIN 931-M16X85 GWA-10.9
6	72418408	2	HEXAGONAL HEAD BOLT	DIN 933 M16X40 GWA-10.9



035107

---

Fendt

FENDT 826NA S4 (841/00101-05000) (WAM841XXX00F05001-99999)

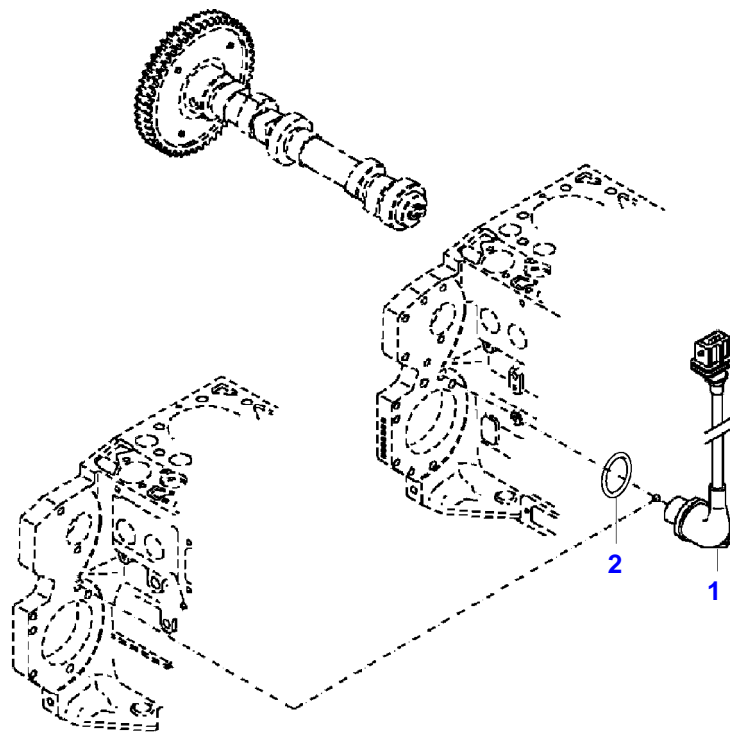
F841105

ENGINE BEARINGS

Page01-0012

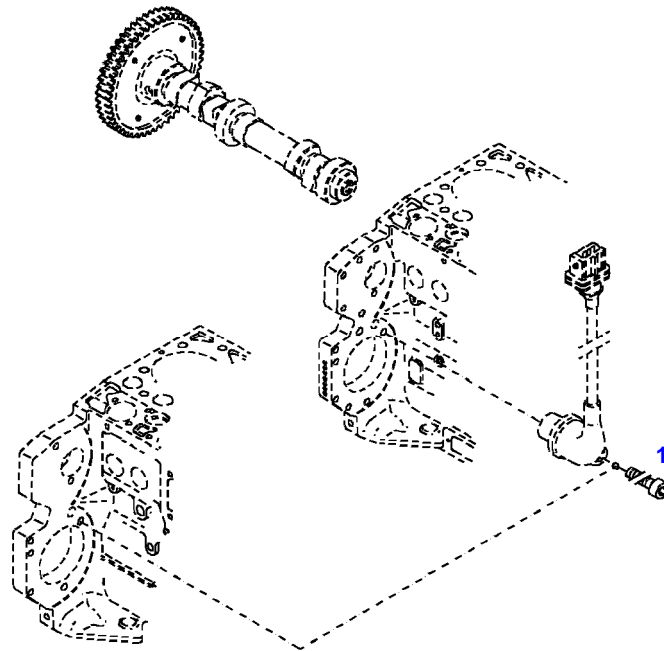
---

Item	Part Number	Qty	Description Comments	Technical Specification
1	72609235	4	ENGINE SUSPENSION	
2	72318110	4	DISC	
3	72315563	4	HEXAGONAL HEAD BOLT	DIN 931 M12X80-8.8A3L



5788543-M-1

Item	Part Number	Qty	Description Comments
			<b>ENGINE SPEED EDC</b>
1	72436871	1	TRANSMITTER ENGINE SPEED EDC UP TO ENGINE NUMBER 11933623
	72626758	1	TRANSMITTER ENGINE SPEED EDC FROM ENGINE S/N 11933624
2	72628348	1	O-RING



035317

---

Fendt

FENDT 826NA S4 (841/00101-05000) (WAM841XXX00F05001-99999)

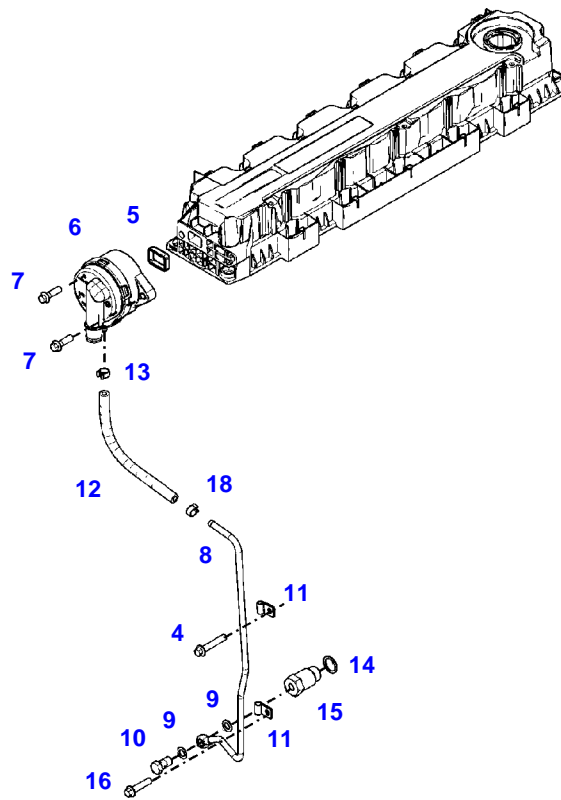
F841105

TRANSMITTER

Page01-0014

---

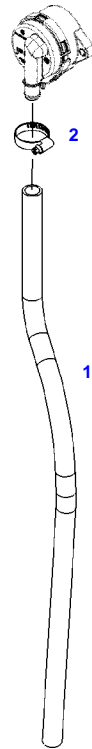
Item	Part Number	Qty	Description Comments	Technical Specification
			ENGINE SPEED FASTENINGS	
1	72315460	1	SOCKET HEAD BOLT	DIN 912 M6X16-8.8



041242

## CRANKCASE BREATHER

Item	Part Number	Qty	Description Comments	Technical Specification
4	72325453	1	HEXAGONAL HEAD BOLT M8X50	
5	72455795	1	SEAL	
6	72437250	1	BREATHER ><5	
7	72325293	2	HEXAGONAL HEAD BOLT M8X30	M8X30
8	72495347	1	OIL RETURN LINE ><9-13	
9	72439873	2	SEALING WASHER	
10	72323517	1	BANJO BOLT	
11	72425772	2	PIPE CLAMP	
12	72495349	1	RUBBER HOSE	
13	72479013	1	HOSE CLIP	
14	72439874	1	SEALING WASHER	
15	72425770	1	LOCK VALVE	
16	72325457	1	HEXAGONAL HEAD BOLT M8X40	
18	72479013	1	HOSE CLIP	



050819



**Suggest:**

**For more complete manuals. Please go to the home page.**

**<https://www.ebooklibonline.com>**

**If the above button click is invalid. Please download this document first, and then click the above link to download the complete manual.**

**Thank you so much for reading**

Fendt

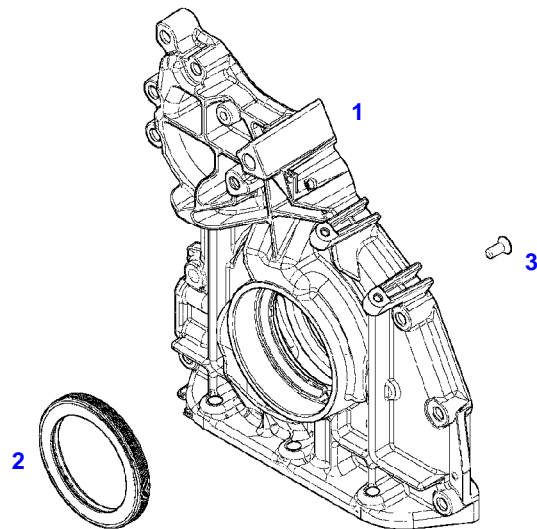
FENDT 826NA S4 (841/00101-05000) (WAM841XXX00F05001-99999)

F841105

CRANKCASE BREATHER

Page01-0016

Item	Part Number	Qty	Description Comments
			<b>BREATHER TUBE</b>
1	72614567	1	HOSE SUPERSESSION
	72437755	1	HOSE SERIES EXECUTION NO LONGER AVAILABLE
2	72311167	1	HOSE CLIP



041199

**<https://www.ebooklibonline.com>**

Hello dear friend!

Thank you very much for reading.

Enter the link into your browser.

The full manual is available for immediate download.

**<https://www.ebooklibonline.com>**