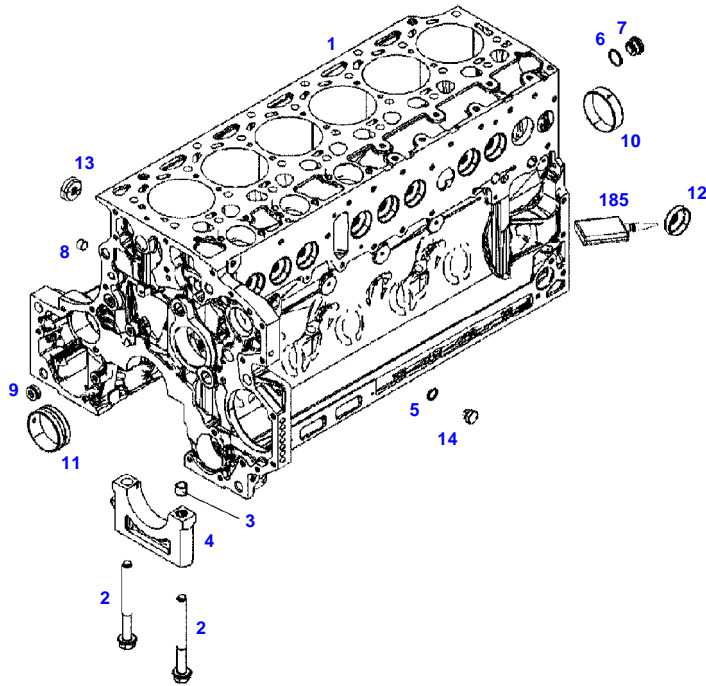


**TABLE OF CONTENT**

| <b>Page Number</b> | <b>Page Title</b>                   | <b>Page Reference</b> |
|--------------------|-------------------------------------|-----------------------|
| 01-000-TOC         | ENGINE, FUEL AND EXHAUST SYSTEM     | 01-000-TOC            |
| 02-000-TOC         | AXLES                               | 02-000-TOC            |
| 03-000-TOC         | STEERING SYSTEM                     | 03-000-TOC            |
| 04-000-TOC         | DRIVE TRAIN SYSTEM                  | 04-000-TOC            |
| 05-000-TOC         | COMPRESSED AIR SYSTEM               | 05-000-TOC            |
| 06-000-TOC         | HYDRAULIC SYSTEM                    | 06-000-TOC            |
| 07-000-TOC         | ELECTRICAL SYSTEM                   | 07-000-TOC            |
| 08-000-TOC         | CAB                                 | 08-000-TOC            |
| 09-000-TOC         | AIR CONDITIONING AND HEATING SYSTEM | 09-000-TOC            |
| 10-000-TOC         | CHASSIS                             | 10-000-TOC            |
| 11-000-TOC         | WHEELS                              | 11-000-TOC            |
| 12-000-TOC         | IMPLEMENT LIFT SYSTEM FRONT         | 12-000-TOC            |
| 13-000-TOC         | IMPLEMENT LIFT SYSTEM REAR          | 13-000-TOC            |
| 14-000-TOC         | FRONT/REAR LOADERS                  | 14-000-TOC            |
| 15-000-TOC         | PRECISION FARMING SYSTEMS           | 15-000-TOC            |
| 16-000-TOC         | ACCESSORIES                         | 16-000-TOC            |

FENDT 824 S4 (EEA - NON SCR) 840/01001-99999  
CRANKCASE



050701

| Item | Part Number   | Qty | Description<br>Comments       | Technical Specification     |
|------|---------------|-----|-------------------------------|-----------------------------|
|      | E840201010100 | 1   | DIESEL ENGINE                 | F840                        |
| 1    | F842201210010 | 1   | CRANKCASE<br>>< 2-14          |                             |
| 2    | F716201210030 | 14  | HEXAGONAL HEAD BOLT           |                             |
| 3    | F395200210040 | 14  | ADAPTER BUSH                  |                             |
| 4    |               |     | NOT AVAILABLE IN SINGLE PARTS |                             |
| 5    | X540204200000 | 2   | SEALING WASHER                | DIN 7603 D14X20-CU-VERZINNT |
| 6    | F731200210190 | 1   | SEALING WASHER                |                             |
| 7    | F731200210150 | 1   | SCREW                         |                             |
| 8    | F717200210040 | 2   | SCREW                         |                             |
| 9    | F001200210030 | 1   | LOCKING PLUG                  |                             |
| 10   | F842201210020 | 6   | BEARING BUSHING               |                             |
| 11   | F836200210380 | 1   | BEARING BUSHING               |                             |
| 12   | F119200210070 | 9   | CORE HOLE PLUG                |                             |
| 13   | F119200210080 | 6   | CORE HOLE PLUG                |                             |
| 14   | X494203800000 | 2   | PLUG                          | DIN 7604 AM14X1,5-A3L       |
| 185  | X903050084000 | 1   | LOCTITE                       | 243 10ML                    |

**<https://www.ebooklibonline.com>**

Hello dear friend!

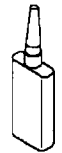
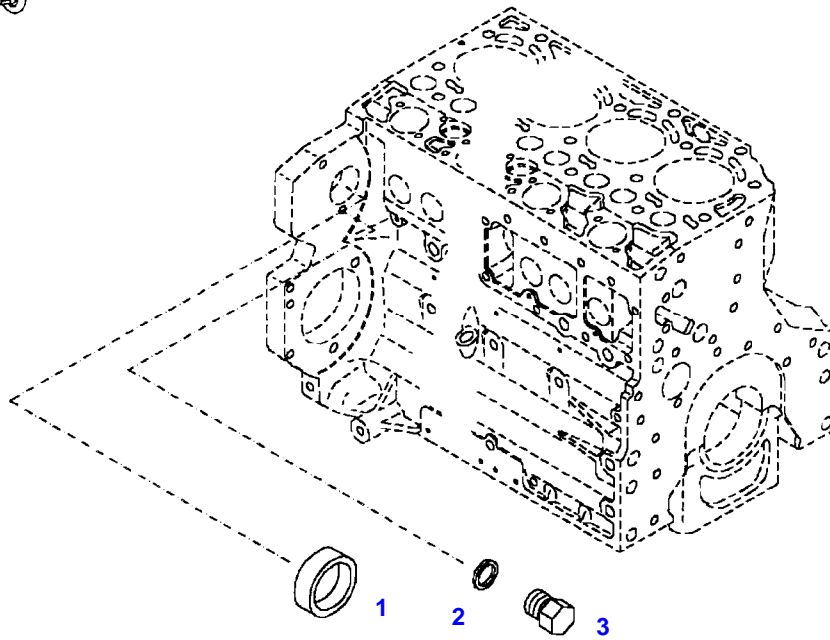
Thank you very much for reading.

Enter the link into your browser.

The full manual is available for immediate download.

**<https://www.ebooklibonline.com>**

FENDT 824 S4 (EEA - NON SCR) 840/01001-99999  
CRANKCASE

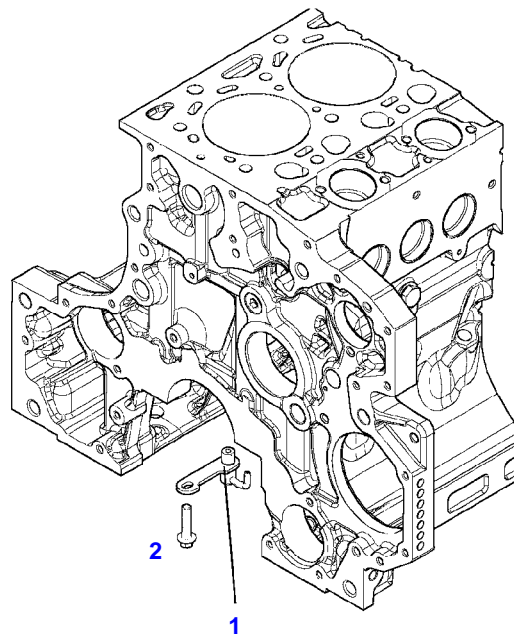


185

040457

| Item                  | Part Number   | Qty | Description<br>Comments | Technical Specification |
|-----------------------|---------------|-----|-------------------------|-------------------------|
| <b>BLANKING PARTS</b> |               |     |                         |                         |
| 1                     | F100001165839 | 1   | CORE HOLE PLUG          |                         |
| 2                     | X540002478000 | 2   | SEALING WASHER          | DIN 7603 A10X13,5-CU    |
| 3                     | F100001215567 | 2   | PLUG                    |                         |
| 185                   | F119200210850 | 1   | SAFE.LOCK AGENT         |                         |

FENDT 824 S4 (EEA - NON SCR) 840/01001-99999  
CRANKCASE



041197

---

Fendt

---

FENDT 824 S4 (EEA - NON SCR) 840/01001-99999

F840003

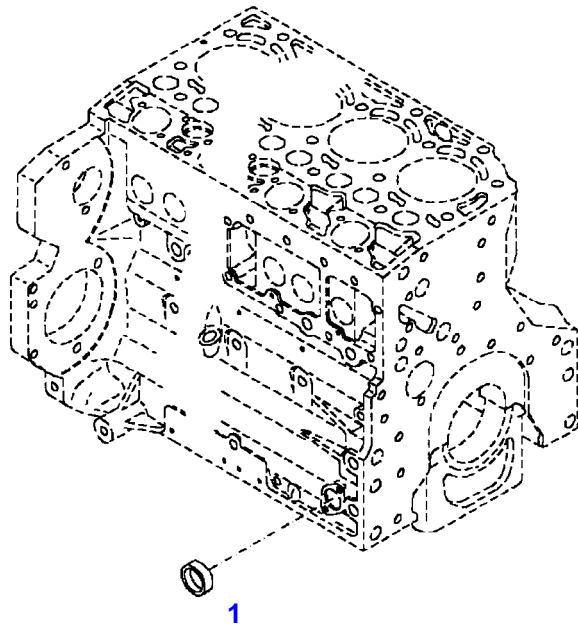
---

CRANKCASE

Page01-0003

| Item | Part Number   | Qty | Description<br>Comments | Technical Specification |
|------|---------------|-----|-------------------------|-------------------------|
|      |               |     | PISTON COOL.NOZZLE      |                         |
| 1    | F842201210030 | 6   | PISTON COOLING JET      |                         |
| 2    | F416200210030 | 6   | HEXAGONAL HEAD BOLT     | M8X35                   |

FENDT 824 S4 (EEA - NON SCR) 840/01001-99999  
CRANKCASE



040194

185



---

Fendt

FENDT 824 S4 (EEA - NON SCR) 840/01001-99999

F840003

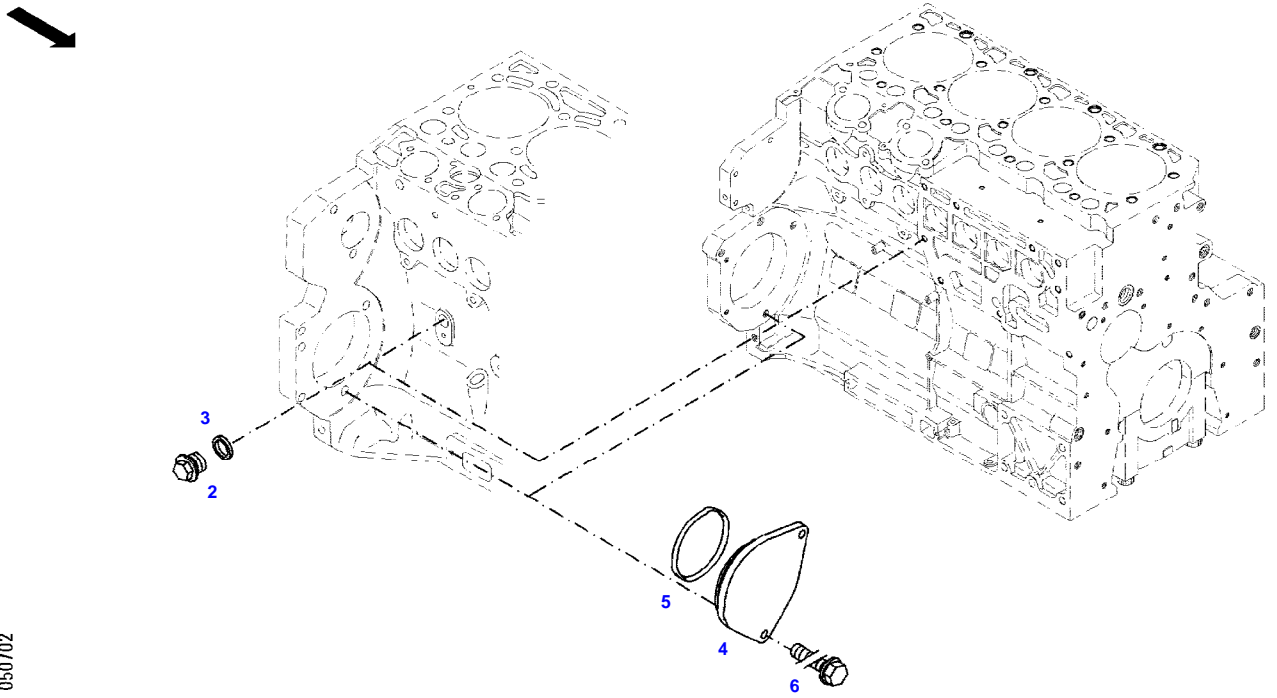
CRANKCASE

Page01-0004

---

| Item | Part Number   | Qty | Description<br>Comments |
|------|---------------|-----|-------------------------|
|      |               |     | <b>LOCKING PLUG</b>     |
| 1    | F119200210080 | 1   | CORE HOLE PLUG          |
| 185  | F119200210850 | 1   | SAFE.LOCK AGENT         |

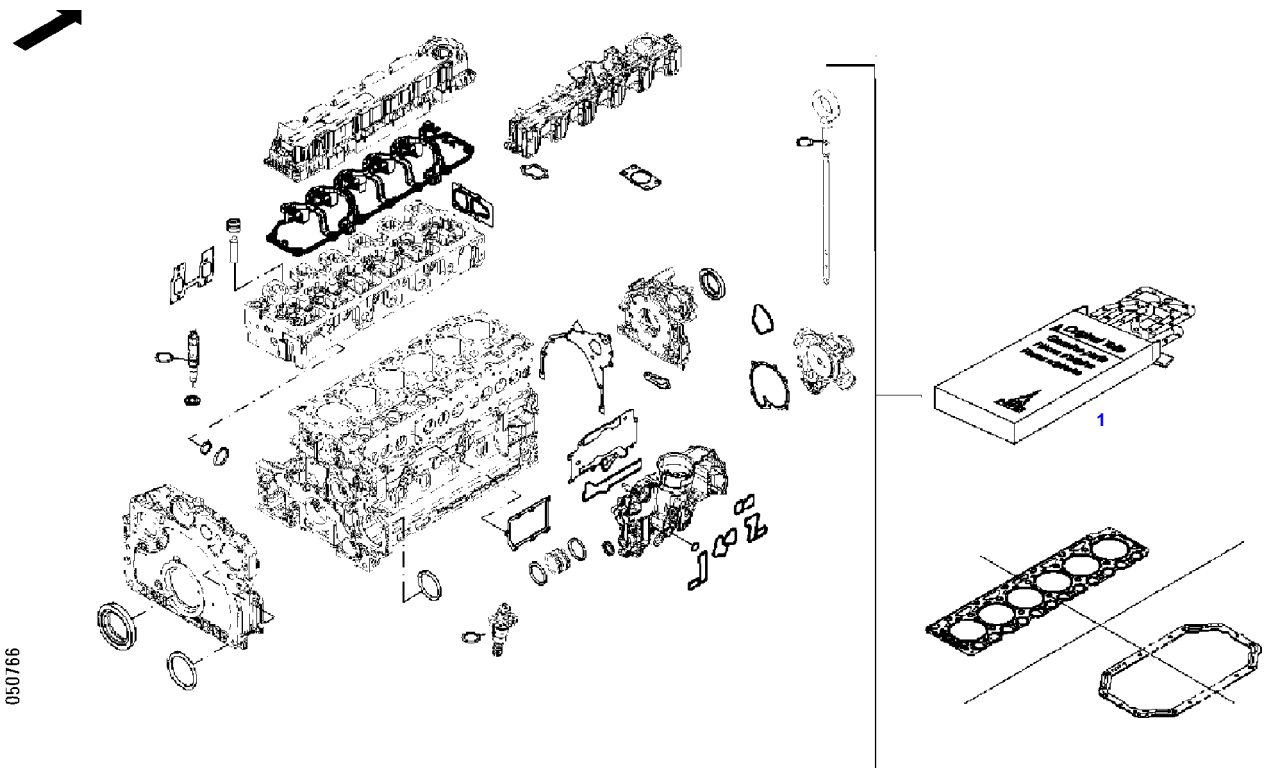
FENDT 824 S4 (EEA - NON SCR) 840/01001-99999  
CRANKCASE



050702

| Item                  | Part Number   | Qty | Description<br>Comments                          | Technical Specification |
|-----------------------|---------------|-----|--|-------------------------|
| <b>BLANKING PARTS</b> |               |     |  |                         |
| 2                     | X494203800000 | 1   | PLUG<br>NOT NEEDED WITH AIR BRAKE                | DIN 7604 AM14X1,5-A3L   |
| 3                     | X540004078000 | 1   | SEALING WASHER<br>NOT NEEDED WITH AIR BRAKE      | DIN 7603 A14X18-CU      |
| 4                     | F412201210020 | 1   | COVER<br>NOT NEEDED WITH AIR BRAKE               |                         |
| 5                     | F716201210090 | 1   | SEAL<br>96X4MM<br>NOT NEEDED WITH AIR BRAKE      |                         |
| 6                     | F339900040220 | 1   | HEXAGONAL HEAD BOLT<br>NOT NEEDED WITH AIR BRAKE |                         |

FENDT 824 S4 (EEA - NON SCR) 840/01001-99999  
SET OF GASKETS - MOTOR



---

Fendt

---

FENDT 824 S4 (EEA - NON SCR) 840/01001-99999

F840003

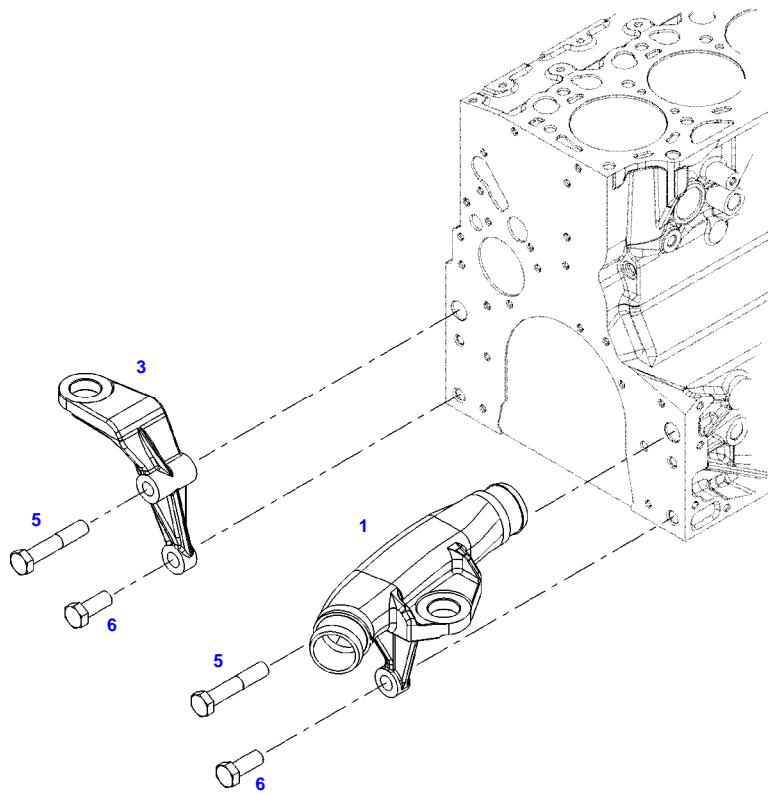
---

SET OF GASKETS - MOTOR

Page01-0006

| Item | Part Number   | Qty | Description<br>Comments                  |
|------|---------------|-----|--|
| 1    | F842201210040 | 1   | SEAL KIT<br>WITHOUT CYLINDER HEAD GASKET |

FENDT 824 S4 (EEA - NON SCR) 840/01001-99999  
ENGINE MOUNTINGS



050822

---

Fendt

FENDT 824 S4 (EEA - NON SCR) 840/01001-99999

F840003

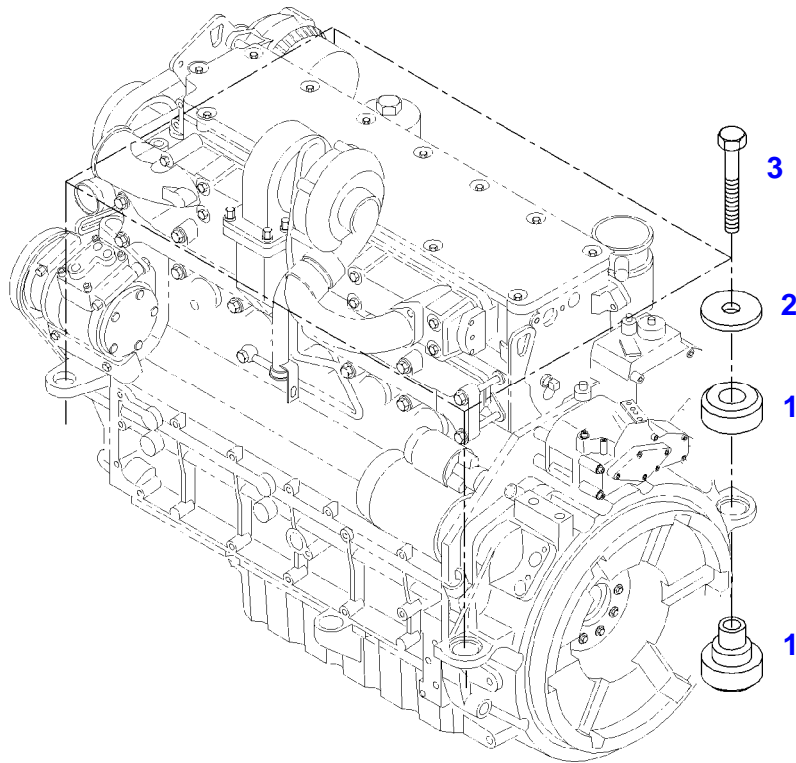
ENGINE MOUNTINGS

Page01-0007

---

| Item | Part Number   | Qty | Description<br>Comments | Technical Specification |
|------|---------------|-----|-------------------------|-------------------------|
| 1    | 842201010010  | 1   | HOLDER<br>LEFT          | L                       |
| 3    | 835200010020  | 1   | ENGINE MOUNT<br>RIGHT   |                         |
| 5    | X486546406000 | 2   | HEXAGONAL HEAD BOLT     | DIN 931-M16X85 GWA-10.9 |
| 6    | X487545200000 | 2   | HEXAGONAL HEAD BOLT     | DIN 933 M16X40 GWA-10.9 |

FENDT 824 S4 (EEA - NON SCR) 840/01001-99999  
ENGINE BEARINGS



035107

---

Fendt

FENDT 824 S4 (EEA - NON SCR) 840/01001-99999

F840003

ENGINE BEARINGS

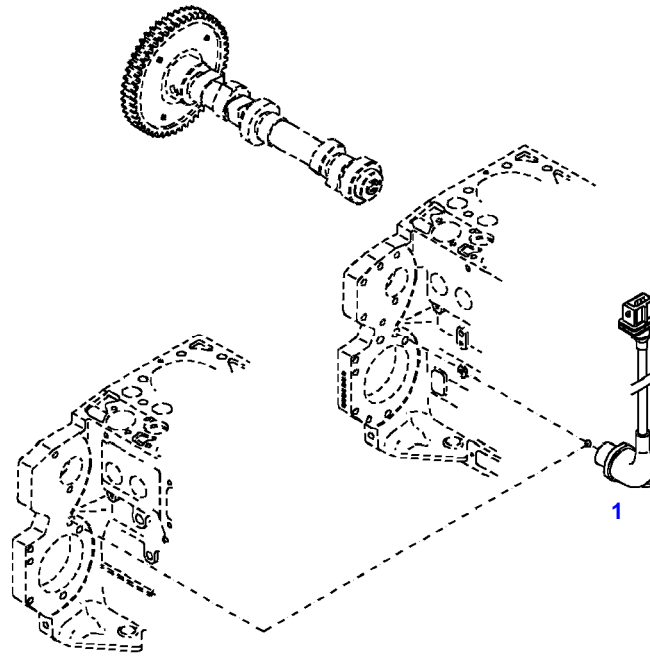
Page01-0008

---

| Item | Part Number   | Qty | Description<br>Comments | Technical Specification |
|------|---------------|-----|-------------------------|-------------------------|
| 1    | G842200010110 | 4   | ENGINE SUSPENSION       |                         |
| 2    | 716200010010  | 4   | DISC                    |                         |
| 3    | X486536641000 | 4   | HEXAGONAL HEAD BOLT     | DIN 931 M12X80-8.8A3L   |

FENDT 824 S4 (EEA - NON SCR) 840/01001-99999  
TRANSMITTER

---



035320

Fendt

FENDT 824 S4 (EEA - NON SCR) 840/01001-99999

F840003

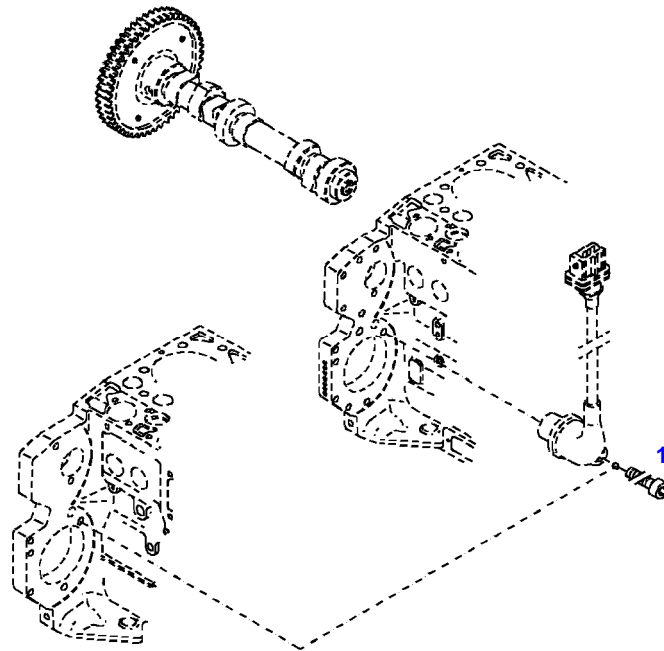
TRANSMITTER

Page01-0009

| Item | Part Number   | Qty | Description<br>Comments            |
|------|---------------|-----|------------------------------------|
|      |               |     | ENGINE SPEED<br>EDC                |
| 1    | F339202210090 | 1   | TRANSMITTER<br>ENGINE SPEED<br>EDC |

FENDT 824 S4 (EEA - NON SCR) 840/01001-99999  
TRANSMITTER

---



035317

---

Fendt

FENDT 824 S4 (EEA - NON SCR) 840/01001-99999

F840003

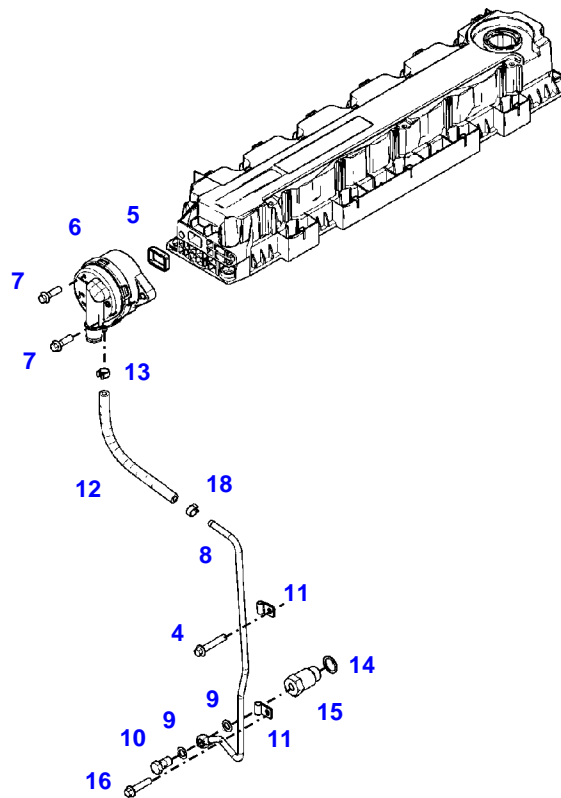
TRANSMITTER

Page01-0010

---

| Item | Part Number   | Qty | Description<br>Comments    | Technical Specification |
|------|---------------|-----|----------------------------|-------------------------|
|      |               |     | ENGINE SPEED<br>FASTENINGS |                         |
| 1    | X485004405000 | 1   | SOCKET HEAD BOLT           | DIN 912 M6X16-8.8       |

FENDT 824 S4 (EEA - NON SCR) 840/01001-99999  
CRANKCASE BREATHER

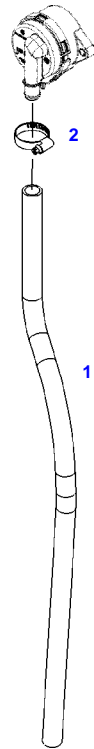


041242

| Item | Part Number   | Qty | Description<br>Comments               |
|------|---------------|-----|---------------------------------------|
| 4    | F119200510110 | 1   | HEXAGONAL HEAD BOLT<br>M8X50          |
| 5    | 725200010251  | 1   | SEAL                                  |
| 6    | F339202210280 | 1   | CRANKSHAFT HOUSING VENTILATION<br>><5 |
| 7    | F119200090080 | 2   | HEXAGONAL HEAD BOLT<br>M8X30          |
| 8    | F836200210400 | 1   | OIL RETURN LINE<br>><9-13             |
| 9    | F731200210180 | 2   | SEALING WASHER                        |
| 10   | F100001119241 | 1   | BANJO BOLT                            |
| 11   | F716201210630 | 2   | PIPE CLAMP                            |
| 12   | F836200210410 | 1   | RUBBER HOSE                           |
| 13   | F731200210200 | 1   | HOSE CLIP                             |
| 14   | F731200210190 | 1   | SEALING WASHER                        |
| 15   | F716201210610 | 1   | LOCK VALVE                            |
| 16   | F119200510150 | 1   | HEXAGONAL HEAD BOLT<br>M8X40          |
| 18   | F731200210200 | 1   | HOSE CLIP                             |

FENDT 824 S4 (EEA - NON SCR) 840/01001-99999  
CRANKCASE BREATHER

---



050819

Fendt

FENDT 824 S4 (EEA - NON SCR) 840/01001-99999

F840003

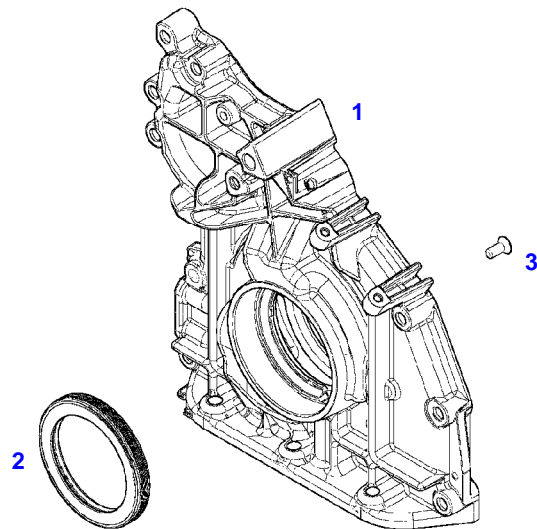
CRANKCASE BREATHER

Page01-0012

| Item | Part Number   | Qty | Description<br>Comments                         |
|------|---------------|-----|---|
|      |               |     | <b>BREATHER TUBE</b>                            |
| 1    | 842201010100  | 1   | HOSE<br>SUPERSESSION                            |
|      | 339202010010  | 1   | HOSE<br>SERIES EXECUTION<br>NO LONGER AVAILABLE |
| 2    | X458651300000 | 1   | HOSE CLIP                                       |

FENDT 824 S4 (EEA - NON SCR) 840/01001-99999  
FRONT COVER

---



041199

Fendt

FENDT 824 S4 (EEA - NON SCR) 840/01001-99999

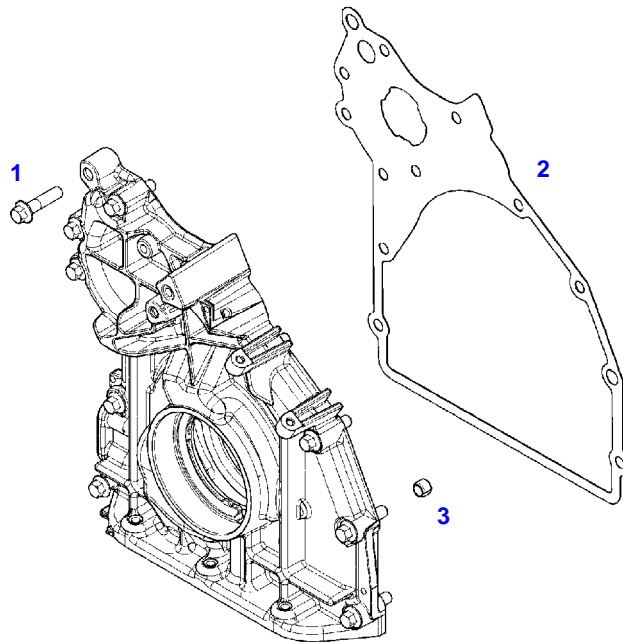
F840003

FRONT COVER

Page01-0013

| Item | Part Number   | Qty | Description<br>Comments                             |
|------|---------------|-----|---|
|      |               |     | <b>INTEGRATED OIL PUMP</b>                          |
| 1    | F836200210280 | 1   | CRANKCASE END COVER<br>INTEGRATED OIL PUMP<br>><2,3 |
| 2    | F836200210080 | 1   | SHAFT SEAL  |
| 3    | F411201210080 | 8   | COUNTERSUNK CAPSCREW<br>M6X16                       |

FENDT 824 S4 (EEA - NON SCR) 840/01001-99999  
FRONT COVER



041243

---

Fendt

FENDT 824 S4 (EEA - NON SCR) 840/01001-99999

F840003

FRONT COVER

Page01-0014

---

| Item              | Part Number   | Qty | Description<br>Comments      | Technical Specification |
|-------------------|---------------|-----|------------------------------|-------------------------|
| <b>FASTENINGS</b> |               |     |                              |                         |
| 1                 | F416200210030 | 12  | HEXAGONAL HEAD BOLT<br>M8X35 | M8X35                   |
| 2                 | F836200210300 | 1   | SEAL                         |                         |
| 3                 | F119200210340 | 1   | TENSIONER BUSH               |                         |



**Suggest:**

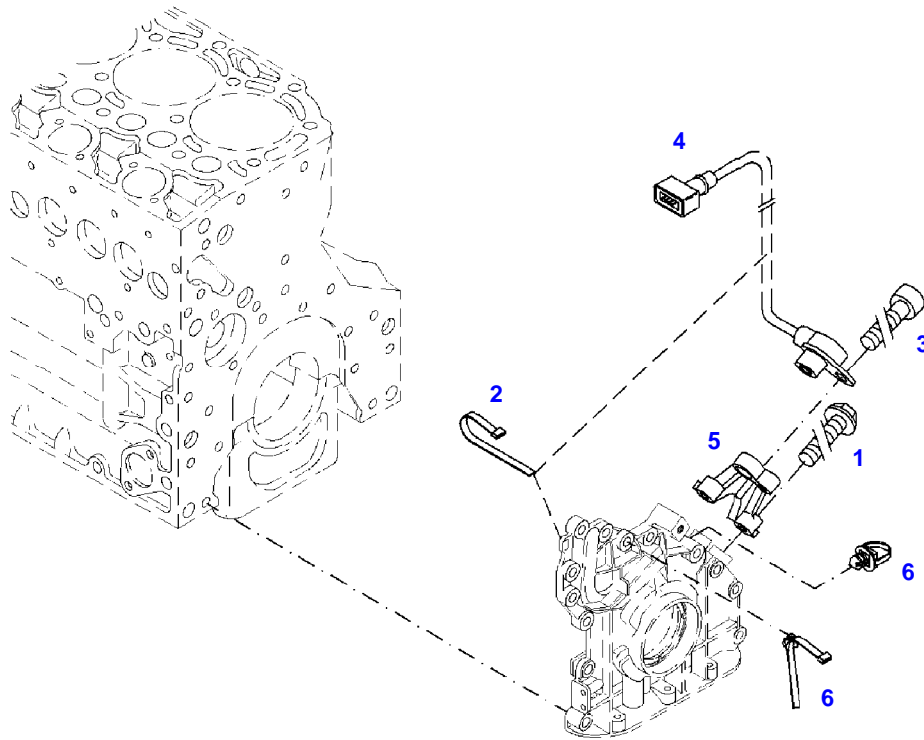
**For more complete manuals. Please go to the home page.**

**<https://www.ebooklibonline.com>**

**If the above button click is invalid. Please download this document first, and then click the above link to download the complete manual.**

**Thank you so much for reading**

FENDT 824 S4 (EEA - NON SCR) 840/01001-99999  
TRANSMITTER



041001

Fendt

FENDT 824 S4 (EEA - NON SCR) 840/01001-99999

F840003

TRANSMITTER

Page01-0015

| Item | Part Number   | Qty | Description<br>Comments            | Technical Specification |
|------|---------------|-----|------------------------------------|-------------------------|
|      |               |     | <b>ENGINE SPEED<br/>EDC</b>        |                         |
| 1    | F339202210170 | 2   | HEXAGONAL HEAD BOLT<br>M6X30       |                         |
| 2    | F149200090100 | 1   | RETAINING STRAP                    |                         |
| 3    | X485004405000 | 1   | SOCKET HEAD BOLT                   | DIN 912 M6X16-8.8       |
| 4    | F339202210180 | 1   | TRANSMITTER<br>ENGINE SPEED<br>EDC |                         |
| 5    | F731200210250 | 1   | RETAINER                           |                         |
| 6    | F731200210170 | 2   | RETAINING STRAP                    |                         |

**<https://www.ebooklibonline.com>**

Hello dear friend!

Thank you very much for reading.

Enter the link into your browser.

The full manual is available for immediate download.

**<https://www.ebooklibonline.com>**