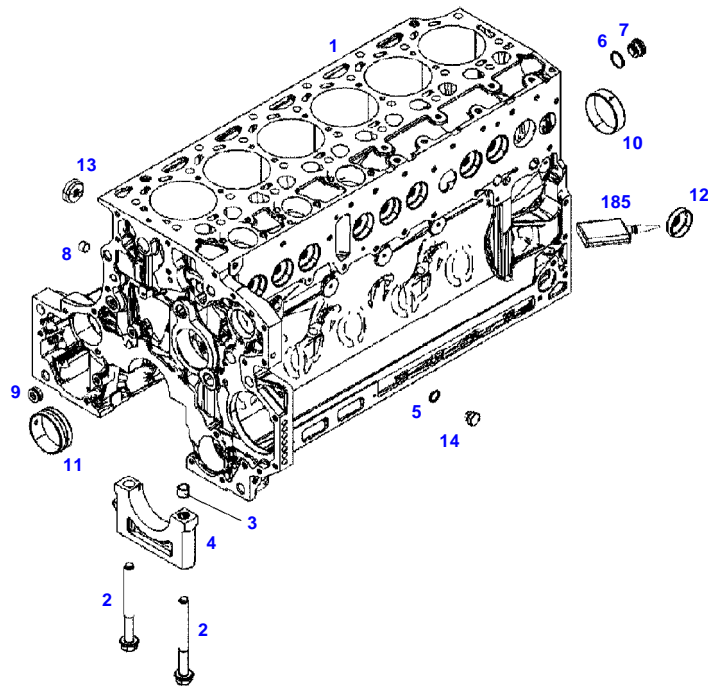


TABLE OF CONTENT

| Page Number | Page Title | Page Reference |
|--------------------|-------------------------------------|-----------------------|
| 01-000-TOC | ENGINE, FUEL AND EXHAUST SYSTEM | 01-000-TOC |
| 02-000-TOC | AXLES | 02-000-TOC |
| 03-000-TOC | STEERING SYSTEM | 03-000-TOC |
| 04-000-TOC | DRIVE TRAIN SYSTEM | 04-000-TOC |
| 05-000-TOC | COMPRESSED AIR SYSTEM | 05-000-TOC |
| 06-000-TOC | HYDRAULIC SYSTEM | 06-000-TOC |
| 07-000-TOC | ELECTRICAL SYSTEM | 07-000-TOC |
| 08-000-TOC | CAB | 08-000-TOC |
| 09-000-TOC | AIR CONDITIONING AND HEATING SYSTEM | 09-000-TOC |
| 10-000-TOC | CHASSIS | 10-000-TOC |
| 11-000-TOC | WHEELS | 11-000-TOC |
| 12-000-TOC | IMPLEMENT LIFT SYSTEM FRONT | 12-000-TOC |
| 13-000-TOC | IMPLEMENT LIFT SYSTEM REAR | 13-000-TOC |
| 14-000-TOC | PRECISION FARMING SYSTEMS | 14-000-TOC |
| 15-000-TOC | ACCESSORIES | 15-000-TOC |



050701

| Item | Part Number | Qty | Description Comments | Technical Specification |
|------|-------------|-----|--------------------------------------|-----------------------------|
| | | | UP TO ENGINE S/N 11630955 | |
| 1 | 72608629 | 1 | ENGINE | TTCD6.1L6 |
| | 72613033 | 1 | CRANKCASE INCLUDES ITEMS 2-14 | |
| 2 | 72416467 | 14 | HEXAGONAL HEAD BOLT | |
| 3 | 72344342 | 14 | ADAPTER BUSH | |
| 4 | | | NOT AVAILABLE IN SINGLE PARTS | |
| 5 | 72456134 | 2 | SEALING WASHER | DIN 7603 D14X20-CU-VERZINNT |
| 6 | 72439874 | 1 | SEALING WASHER | |
| 7 | 72455559 | 1 | PLUG SCREW | |
| 8 | 72429347 | 2 | SCREW | M14X1,5 |
| 9 | 72431135 | 1 | LOCKING PLUG | |
| 10 | 72613035 | 6 | BEARING BUSHING | |
| 11 | 72491822 | 1 | BEARING BUSHING | |
| 12 | 72325325 | 9 | CORE HOLE PLUG | |
| 13 | 72325326 | 6 | CORE HOLE PLUG | |
| 14 | 72315799 | 2 | PLUG | DIN 7604 AM14X1,5-A3L |
| 185 | 72381391 | 1 | THREADLOCKER | LOCTITE 243 10ML |

<https://www.ebooklibonline.com>

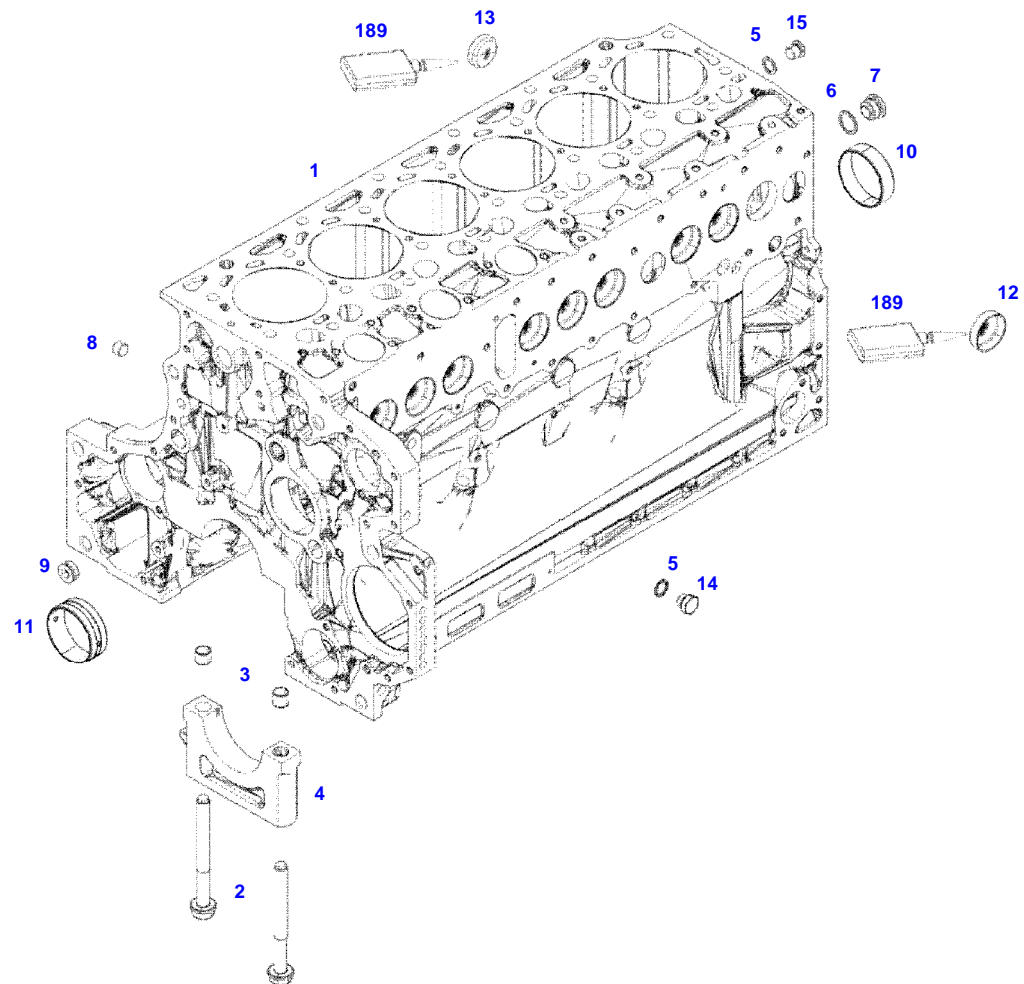
Hello dear friend!

Thank you very much for reading.

Enter the link into your browser.

The full manual is available for immediate download.

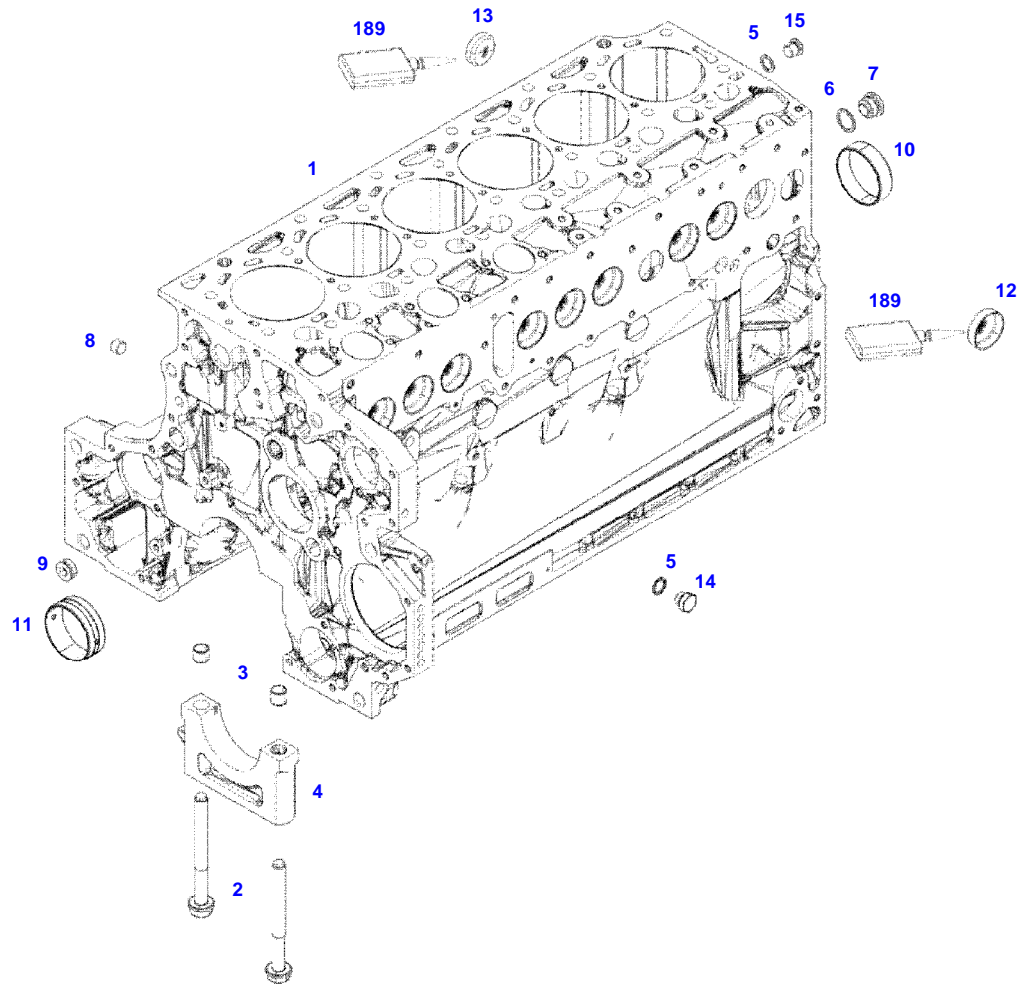
<https://www.ebooklibonline.com>



F061053



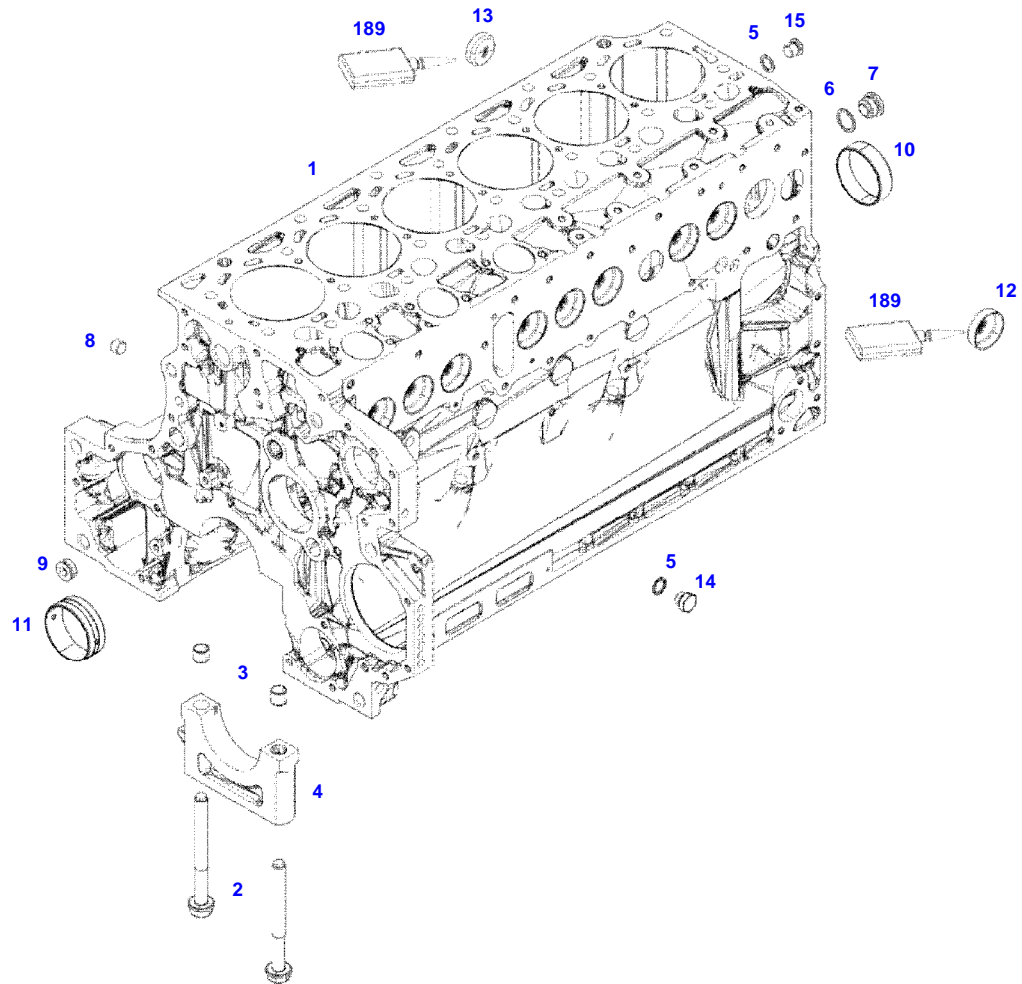
| Item | Part Number | Qty | Description Comments | Technical Specification |
|------|-------------|-----|--|-----------------------------|
| | | | FROM - UP TO ENGINE S/N 11630956 - 11703295 | |
| 1 | 72608629 | 1 | ENGINE | TTCD6.1L6 |
| | 72625853 | 1 | CRANKCASE INCLUDES ITEMS 2-15 | |
| 2 | 72416467 | 14 | HEXAGONAL HEAD BOLT | |
| 3 | 72344342 | 14 | ADAPTER BUSH | |
| 4 | | | NOT AVAILABLE IN SINGLE PARTS | |
| 5 | 72456134 | 2 | SEALING WASHER | DIN 7603 D14X20-CU-VERZINNT |
| 6 | 72439874 | 1 | SEALING WASHER | |
| 7 | 72455559 | 1 | PLUG SCREW | |
| 8 | 72429347 | 2 | SCREW | M14X1,5 |
| 9 | 72431135 | 1 | LOCKING PLUG | |
| 10 | 72613035 | 6 | BEARING BUSHING | |
| 11 | 72491822 | 1 | BEARING BUSHING | |
| 12 | 72325325 | 9 | CORE HOLE PLUG | |
| 13 | 72325326 | 6 | CORE HOLE PLUG | |
| 14 | 72315799 | 2 | PLUG | DIN 7604 AM14X1,5-A3L |
| 15 | 72315438 | 1 | PLUG SCREW | DIN 908 M14X1,5-ST |
| 189 | 72381391 | 1 | THREADLOCKER | LOCTITE 243 10ML |



F061053



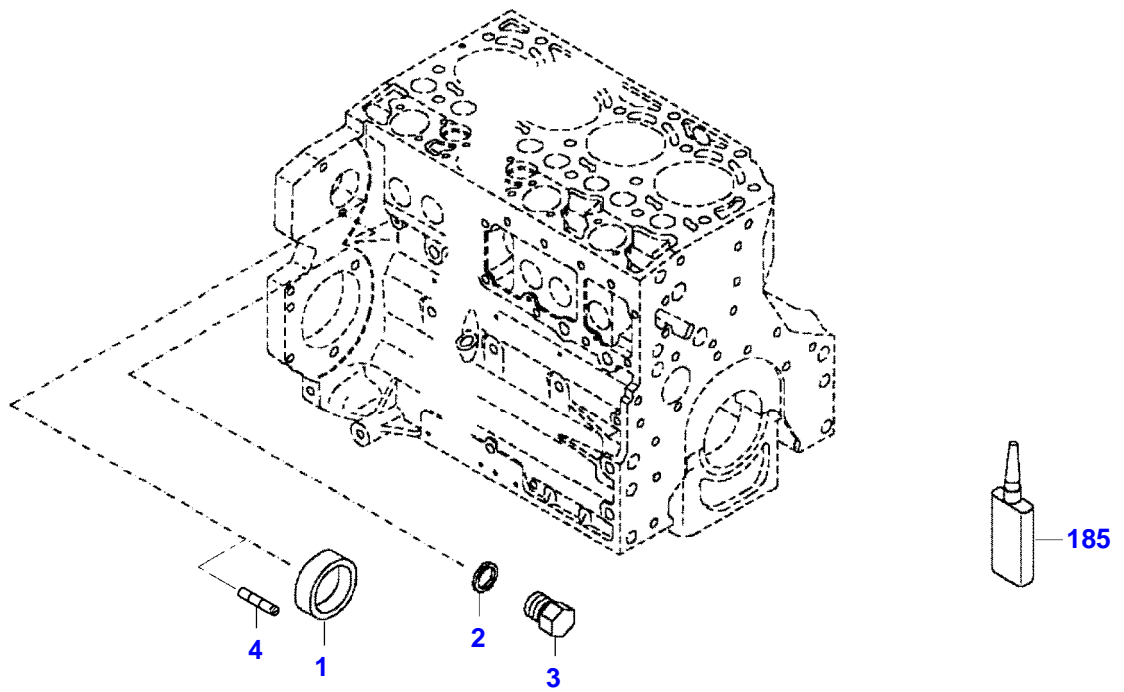
| Item | Part Number | Qty | Description Comments | Technical Specification |
|------|-------------|-----|--|-----------------------------|
| | | | FROM - UP TO ENGINE S/N 11703296 - 12299951 | |
| | 72608629 | 1 | ENGINE FROM - UP TO MACHINE S/N 840/101 - 840/1452 | TTCD6.1L6 |
| | 72627985 | 1 | ENGINE FROM MACHINE S/N 840/1453 | TTCD6.1L6 |
| 1 | 72625854 | 1 | CRANKCASE INCLUDES ITEMS 2-15 | |
| 2 | 72416467 | 14 | HEXAGONAL HEAD BOLT | |
| 3 | 72344342 | 14 | ADAPTER BUSH | |
| 4 | | | NOT AVAILABLE IN SINGLE PARTS | |
| 5 | 72456134 | 2 | SEALING WASHER | DIN 7603 D14X20-CU-VERZINNT |
| 6 | 72439874 | 1 | SEALING WASHER | |
| 7 | 72455559 | 1 | PLUG SCREW | |
| 8 | 72429347 | 2 | SCREW | M14X1,5 |
| 9 | 72431135 | 1 | LOCKING PLUG | |
| 10 | ACP0152940 | 6 | FEMALE BEARING | |
| 11 | ACP0152930 | 1 | FEMALE BEARING | |
| 12 | 72325325 | 9 | CORE HOLE PLUG | |
| 13 | 72325326 | 6 | CORE HOLE PLUG | |
| 14 | 72315799 | 2 | PLUG | DIN 7604 AM14X1,5-A3L |
| 15 | 72315438 | 1 | PLUG SCREW | DIN 908 M14X1,5-ST |
| 189 | 72381391 | 1 | THREADLOCKER | LOCTITE 243 10ML |



F061053

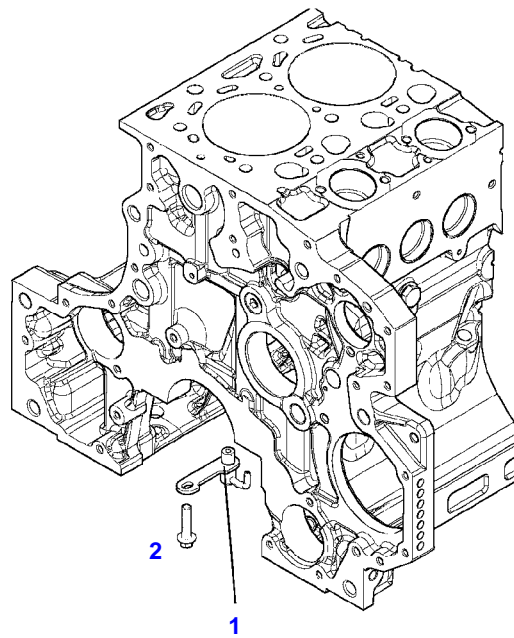


| Item | Part Number | Qty | Description Comments | Technical Specification |
|------|-------------|-----|--|-----------------------------|
| | | | FROM ENGINE S/N 12299952 | |
| | 72608629 | 1 | ENGINE FROM - UP TO MACHINE S/N 840/101 - 840/1452 | TTCD6.1L6 |
| | 72627985 | 1 | ENGINE FROM MACHINE S/N 840/1453 | TTCD6.1L6 |
| 1 | 72625854 | 1 | CRANKCASE INCLUDES ITEMS 2-15 | |
| 2 | 72416467 | 14 | HEXAGONAL HEAD BOLT | |
| 3 | 72344342 | 14 | ADAPTER BUSH | |
| 4 | | | | |
| | | | NOT AVAILABLE IN SINGLE PARTS | |
| 5 | 72456134 | 2 | SEALING WASHER | DIN 7603 D14X20-CU-VERZINNT |
| 6 | 72439874 | 1 | SEALING WASHER | |
| 7 | 72455559 | 1 | PLUG SCREW | |
| 8 | 72429347 | 2 | SCREW | M14X1,5 |
| 9 | 72431135 | 1 | LOCKING PLUG | |
| 10 | ACP0152940 | 6 | FEMALE BEARING | |
| 11 | ACP0152930 | 1 | FEMALE BEARING | |
| 12 | 72325325 | 9 | CORE HOLE PLUG | |
| 13 | 72325326 | 6 | CORE HOLE PLUG | |
| 14 | 72315799 | 2 | PLUG | DIN 7604 AM14X1,5-A3L |
| 15 | 72315438 | 1 | PLUG SCREW | DIN 908 M14X1,5-ST |
| 189 | 72381391 | 1 | THREADLOCKER | LOCTITE 243 10ML |



5786967-M-1

| Item | Part Number | Qty | Description Comments | Technical Specification |
|-----------------------|-------------|-----|--|-------------------------|
| BLANKING PARTS | | | | |
| 1 | 72627515 | 1 | CORE HOLE PLUG UP TO ENGINE NUMBER 11982739 | |
| | 72628071 | 1 | CAP COVER FROM ENGINE S/N 11982740 | |
| 2 | 72315088 | 2 | SEALING WASHER | DIN 7603 A10X13,5-CU |
| 3 | 72323677 | 2 | PLUG | |
| 4 | 72631860 | 2 | THREADED PIN UP TO ENGINE S/N 12473099 | |
| | 72657969 | 2 | PLUG SCREW FROM ENGINE S/N 12473100 | |
| 185 | 72325403 | 1 | SAFE.LOCK AGENT UP TO ENGINE NUMBER 11982739 | |
| | 72493900 | 1 | INSTALLATION AIDS FROM ENGINE S/N 11982740 | |



041197

Fendt

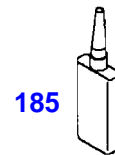
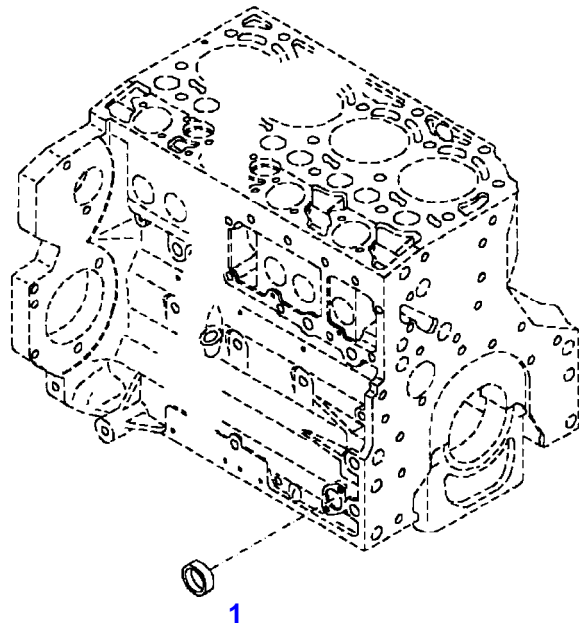
FENDT 824NA S4 (840/00101-05000) (WAM840XXX00F05001-99999)

F840105

CRANKCASE

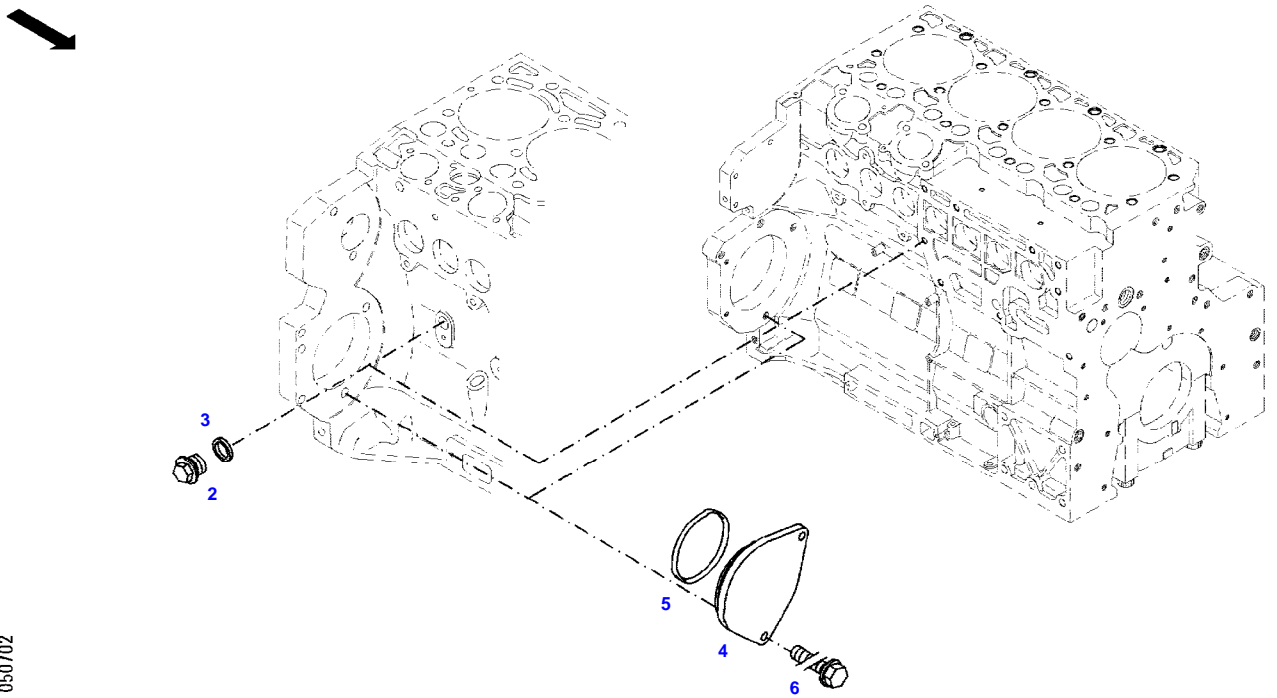
Page01-0006

| Item | Part Number | Qty | Description Comments | Technical Specification |
|------|-------------|-----|-------------------------|-------------------------|
| | | | PISTON COOL.NOZZLE | |
| 1 | 72613036 | 6 | PISTON COOLING JET | |
| 2 | 72605244 | 6 | HEXAGONAL HEAD BOLT | M8X35 |



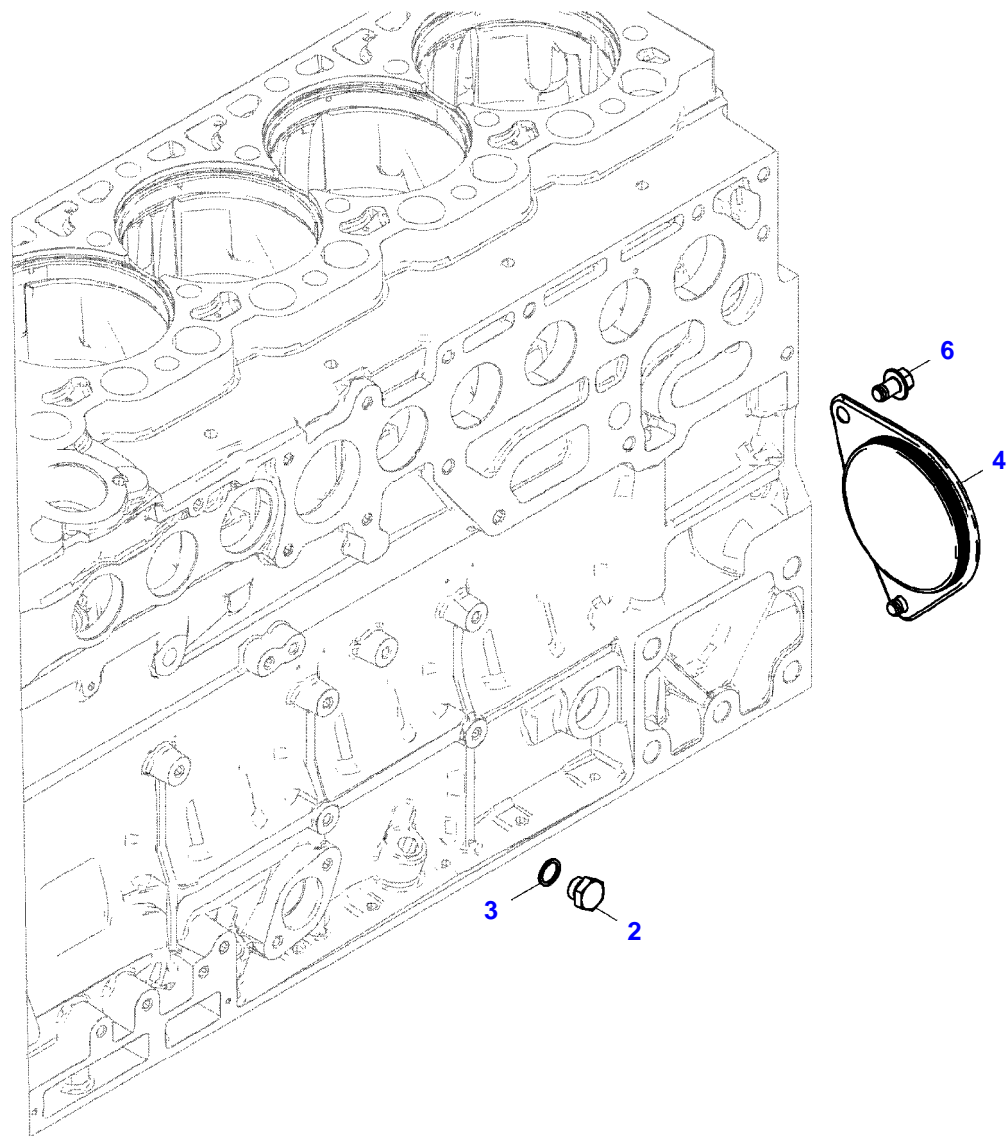
040194

| Item | Part Number | Qty | Description Comments |
|------|-------------|-----|--|
| | | | LOCKING PLUG |
| 1 | 72325326 | 1 | CORE HOLE PLUG UP TO ENGINE NUMBER 11982739 |
| | 72628072 | 1 | CAP COVER FROM ENGINE S/N 11982740 |
| 185 | 72325403 | 1 | SAFE.LOCK AGENT UP TO ENGINE NUMBER 11982739 |
| | 72493900 | 1 | INSTALLATION AIDS FROM ENGINE S/N 11982740 |



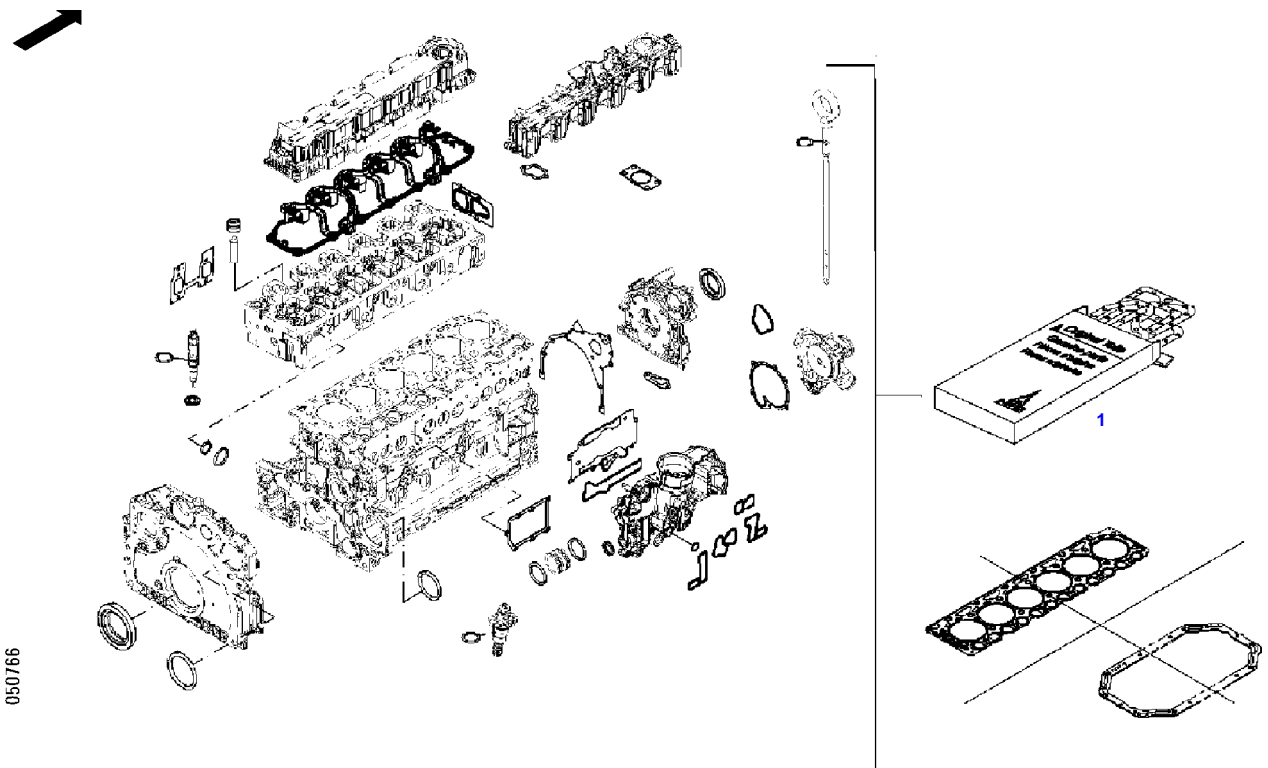
050702

| Item | Part Number | Qty | Description Comments | Technical Specification |
|-----------------------|-------------|-----|---|-------------------------|
| BLANKING PARTS | | | | |
| 2 | 72315799 | 1 | PLUG NOT NEEDED WITH AIR BRAKE | DIN 7604 AM14X1,5-A3L |
| 3 | 72439867 | 1 | SEALING WASHER NOT NEEDED WITH AIR BRAKE | DIN7603-14X18-CU-VERZ |
| 4 | 72431648 | 1 | COVER NOT NEEDED WITH AIR BRAKE | |
| 5 | 72416472 | 1 | SEAL 96X4MM NOT NEEDED WITH AIR BRAKE | |
| 6 | 72438057 | 1 | HEXAGONAL HEAD BOLT NOT NEEDED WITH AIR BRAKE UP TO 2017-08 | M10X20 |
| | 72657640 | 1 | HEXAGONAL HEAD BOLT NOT NEEDED WITH AIR BRAKE FROM 2017-09 | M10X16 |



25548786-M-1

| Item | Part Number | Qty | Description Comments | Technical Specification |
|------|-------------|-----|--|-------------------------|
| | | | BLANKING PARTS FROM ENGINE S/N 12163402 | |
| 2 | 72631866 | 1 | PLUG SCREW NOT NEEDED WITH AIR BRAKE | |
| 3 | 72439867 | 1 | SEALING WASHER NOT NEEDED WITH AIR BRAKE | DIN7603-14X18-CU-VERZ |
| 4 | 72657732 | 1 | COVER NOT NEEDED WITH AIR BRAKE | |
| 6 | 72657640 | 2 | HEXAGONAL HEAD BOLT | M10X16 |



Fendt

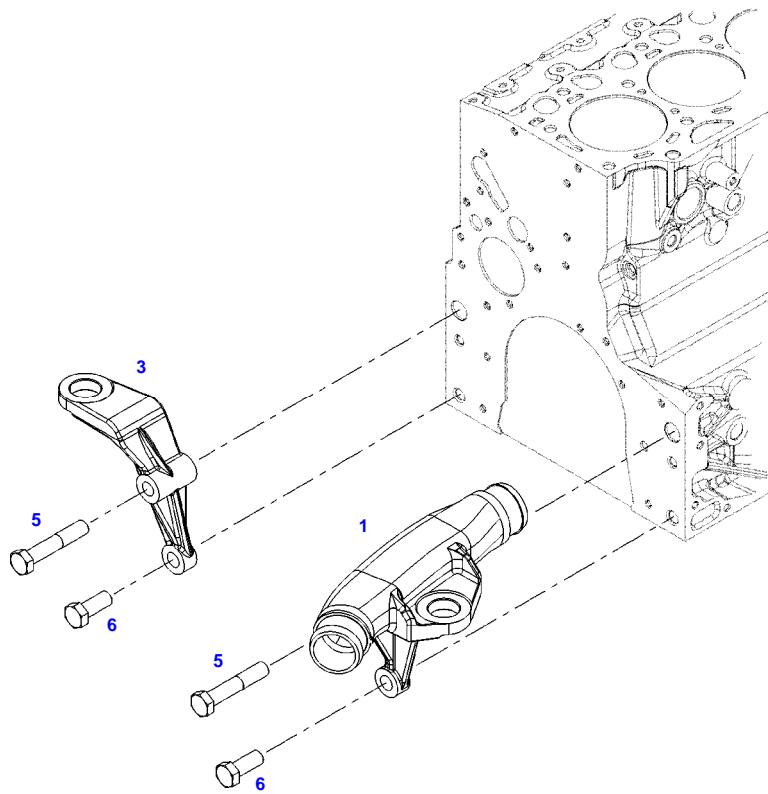
FENDT 824NA S4 (840/00101-05000) (WAM840XXX00F05001-99999)

F840105

SET OF GASKETS - MOTOR

Page01-0010

| Item | Part Number | Qty | Description Comments |
|------|-------------|-----|--|
| 1 | 72613037 | 1 | SEAL KIT WITHOUT CYLINDER HEAD GASKET |



050822

Fendt

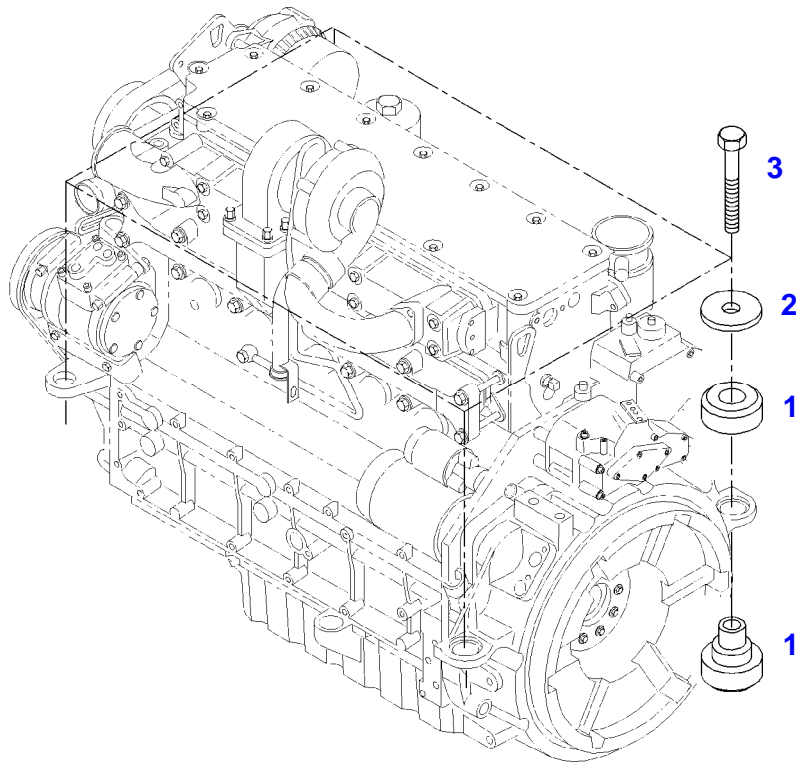
FENDT 824NA S4 (840/00101-05000) (WAM840XXX00F05001-99999)

F840105

ENGINE MOUNTINGS

Page01-0011

| Item | Part Number | Qty | Description Comments | Technical Specification |
|------|-------------|-----|-------------------------|-------------------------|
| 1 | 72609225 | 1 | HOLDER LEFT | L |
| 3 | 72481061 | 1 | ENGINE MOUNT RIGHT | |
| 5 | 72374294 | 2 | HEXAGONAL HEAD BOLT | DIN 931-M16X85 GWA-10.9 |
| 6 | 72418408 | 2 | HEXAGONAL HEAD BOLT | DIN 933 M16X40 GWA-10.9 |



035107

Fendt

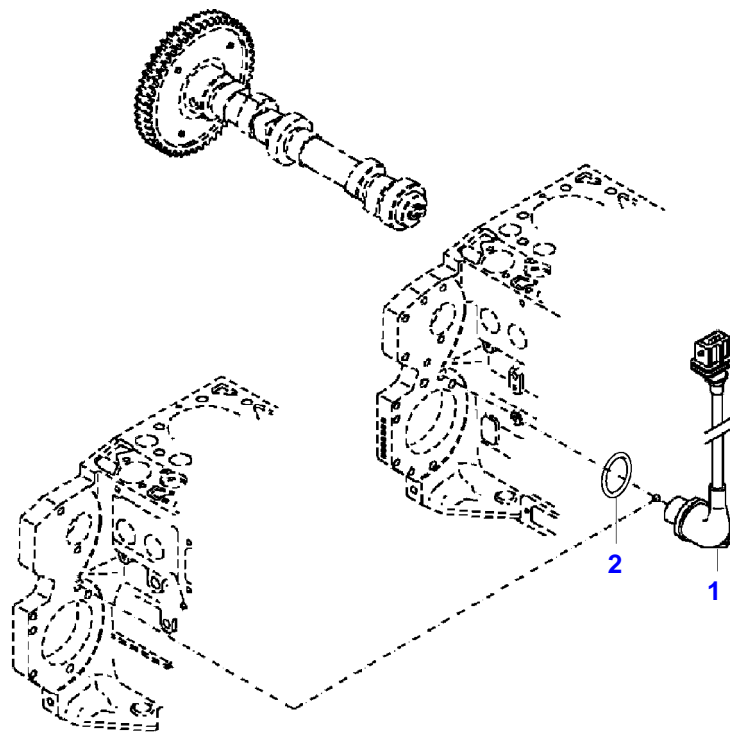
FENDT 824NA S4 (840/00101-05000) (WAM840XXX00F05001-99999)

F840105

ENGINE BEARINGS

Page01-0012

| Item | Part Number | Qty | Description Comments | Technical Specification |
|------|-------------|-----|-------------------------|-------------------------|
| 1 | 72609235 | 4 | ENGINE SUSPENSION | |
| 2 | 72318110 | 4 | DISC | |
| 3 | 72315563 | 4 | HEXAGONAL HEAD BOLT | DIN 931 M12X80-8.8A3L |



5788543-M-1



Suggest:

For more complete manuals. Please go to the home page.

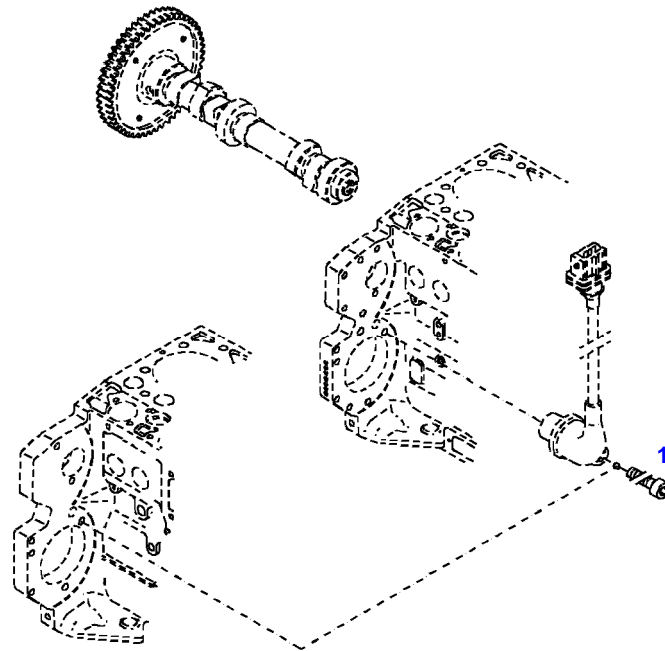
<https://www.ebooklibonline.com>

If the above button click is invalid. Please download this document first, and then click the above link to download the complete manual.

Thank you so much for reading

TRANSMITTER

| Item | Part Number | Qty | Description Comments |
|------|-------------|-----|---|
| | | | ENGINE SPEED EDC |
| 1 | 72436871 | 1 | TRANSMITTER ENGINE SPEED EDC UP TO ENGINE NUMBER 11933623 |
| | 72626758 | 1 | TRANSMITTER ENGINE SPEED EDC FROM ENGINE S/N 11933624 |
| 2 | 72628348 | 1 | O-RING |



035317

<https://www.ebooklibonline.com>

Hello dear friend!

Thank you very much for reading.

Enter the link into your browser.

The full manual is available for immediate download.

<https://www.ebooklibonline.com>