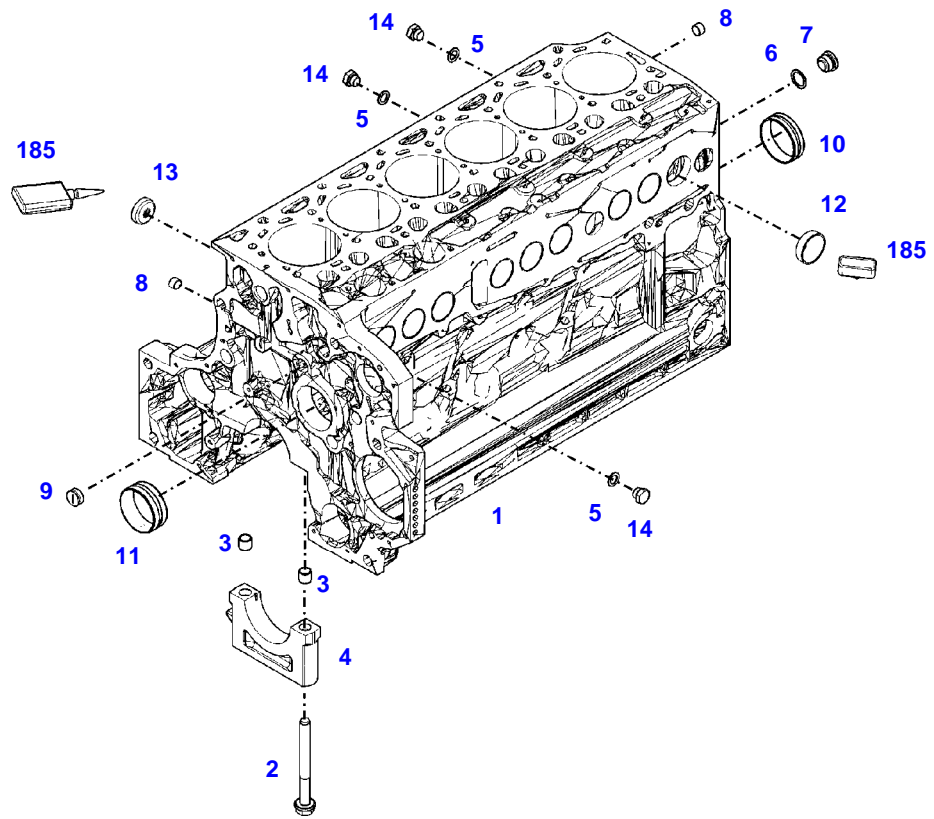


Page Number	Page Title	Page Reference
01-000-TOC	ENGINE, FUEL AND EXHAUST SYSTEM	01-000-TOC
02-000-TOC	AXLES	02-000-TOC
03-000-TOC	STEERING SYSTEM	03-000-TOC
04-000-TOC	DRIVE TRAIN SYSTEM	04-000-TOC
05-000-TOC	COMPRESSED AIR SYSTEM	05-000-TOC
06-000-TOC	HYDRAULIC SYSTEM	06-000-TOC
07-000-TOC	ELECTRICAL SYSTEM	07-000-TOC
08-000-TOC	CAB	08-000-TOC
09-000-TOC	AIR CONDITIONING AND HEATING SYSTEM	09-000-TOC
10-000-TOC	CHASSIS	10-000-TOC
11-000-TOC	WHEELS	11-000-TOC
12-000-TOC	IMPLEMENT LIFT SYSTEM FRONT	12-000-TOC
13-000-TOC	IMPLEMENT LIFT SYSTEM REAR	13-000-TOC
14-000-TOC	FRONT/REAR LOADERS	14-000-TOC
15-000-TOC	PRECISION FARMING SYSTEMS	15-000-TOC
16-000-TOC	ACCESSORIES	16-000-TOC

FENDT 722 SCR (736/00101-99999)
41239



041239

Item	Part Number	Qty	Description Comments	Technical Specification
			ENGINE NUMBER <-- 11227751 --> 11627665	
	72605690	1	ENGINE --> 736/2091	TCD6.1L6
	72608986	1	REMANUFACTURED SHORT BLOCK ENGINE --> 736/2091	
	72609274	1	ENGINE <-- 736/2092	TCD6.1L6
1	72497419	1	CRANKCASE ><2-14	
2	72416467	14	HEXAGONAL HEAD BOLT	
3	72344342	14	ADAPTER BUSH	
4			NOT AVAILABLE IN SINGLE PARTS	
5	72456134	3	SEALING WASHER	DIN 7603 D14X20-CU-VERZINNT
6	72439874	1	SEALING WASHER	
7	72455559	1	PLUG SCREW	
8	72429347	2	SCREW M14X1,5	M14X1,5
9	72431135	1	LOCKING PLUG	
10	72497417	6	BEARING BUSHING	
11	72491822	1	BEARING BUSHING	
12	72325325	9	CORE HOLE PLUG	
13	72325326	6	CORE HOLE PLUG	
14	72315799	3	PLUG	DIN 7604 AM14X1,5-A3L
185	72381391	1	THREADLOCKER	LOCTITE 243 10ML

<https://www.ebooklibonline.com>

Hello dear friend!

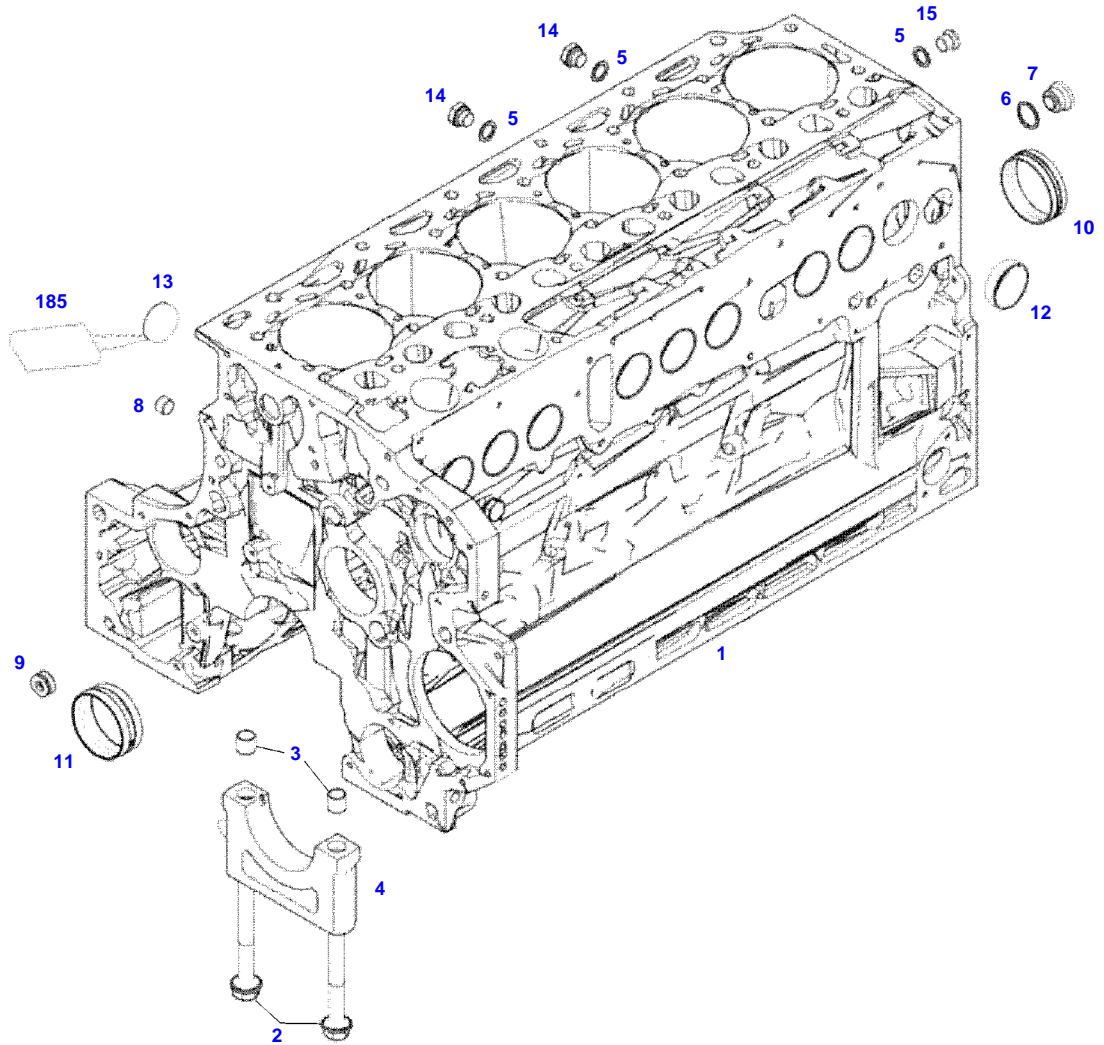
Thank you very much for reading.

Enter the link into your browser.

The full manual is available for immediate download.

<https://www.ebooklibonline.com>

FENDT 722 SCR (736/00101-99999)
F061411

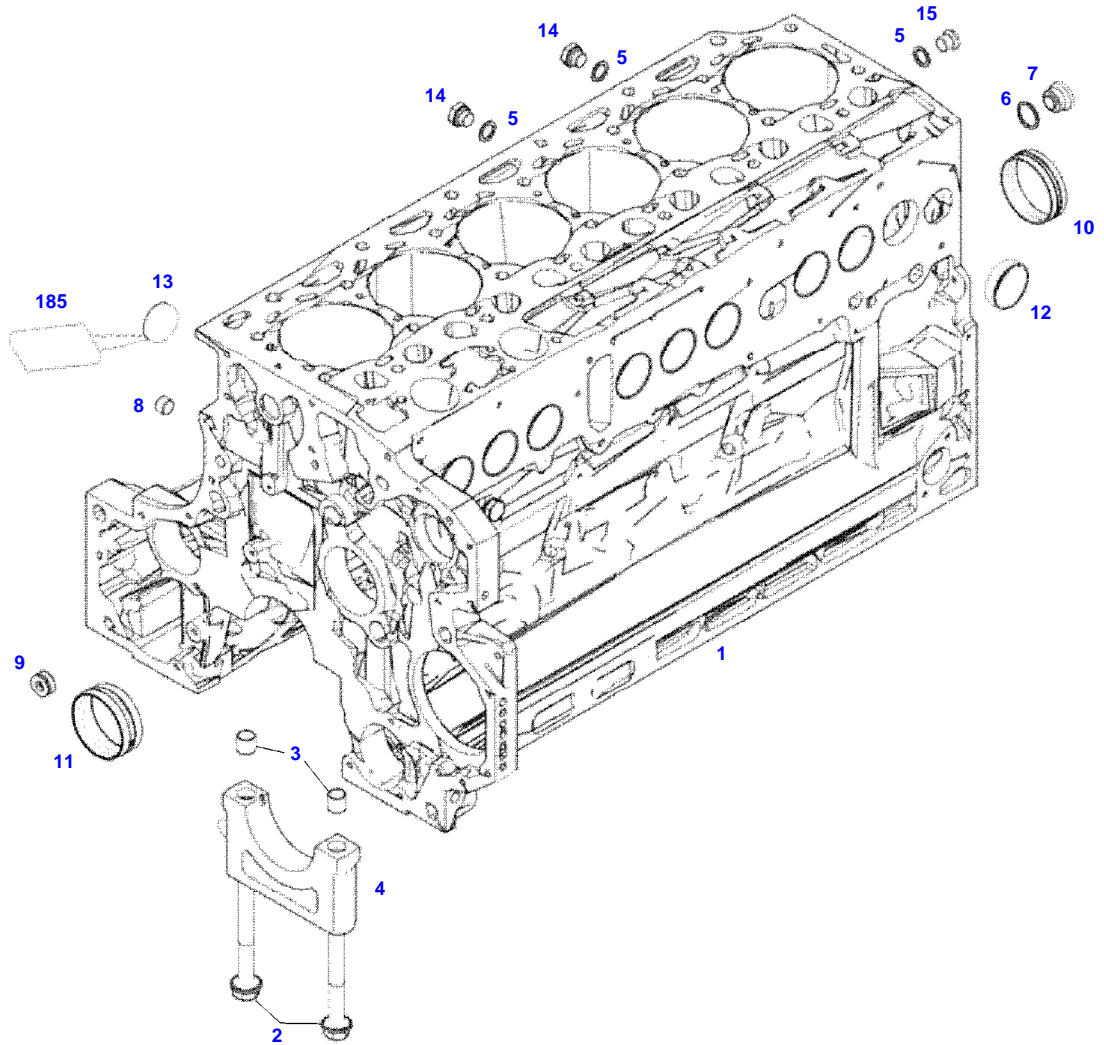


F061411



Item	Part Number	Qty	Description Comments	Technical Specification
			ENGINE NUMBER <-- 11627666 --> 11727015	
	72609274	1	ENGINE	TCD6.1L6
1	72616334	1	<-- 736/2092 CRANKCASE	
			><2-14	
2	72416467	14	HEXAGONAL HEAD BOLT	
3	72344342	14	ADAPTER BUSH	
4			NOT AVAILABLE IN SINGLE PARTS	
5	72456134	3	SEALING WASHER	DIN 7603 D14X20-CU-VERZINNT
6	72439874	1	SEALING WASHER	
7	72455559	1	PLUG SCREW	
8	72429347	2	SCREW	M14X1,5
			M14X1,5	
9	72431135	1	LOCKING PLUG	
10	72615416	6	BEARING BUSHING	
11	72491822	1	BEARING BUSHING	
12	72325325	9	CORE HOLE PLUG	
13	72325326	6	CORE HOLE PLUG	
14	72315799	3	PLUG	DIN 7604 AM14X1,5-A3L
15	72315438	1	PLUG SCREW	DIN 908 M14X1,5-ST
185	72381391	1	THREADLOCKER	LOCTITE 243 10ML

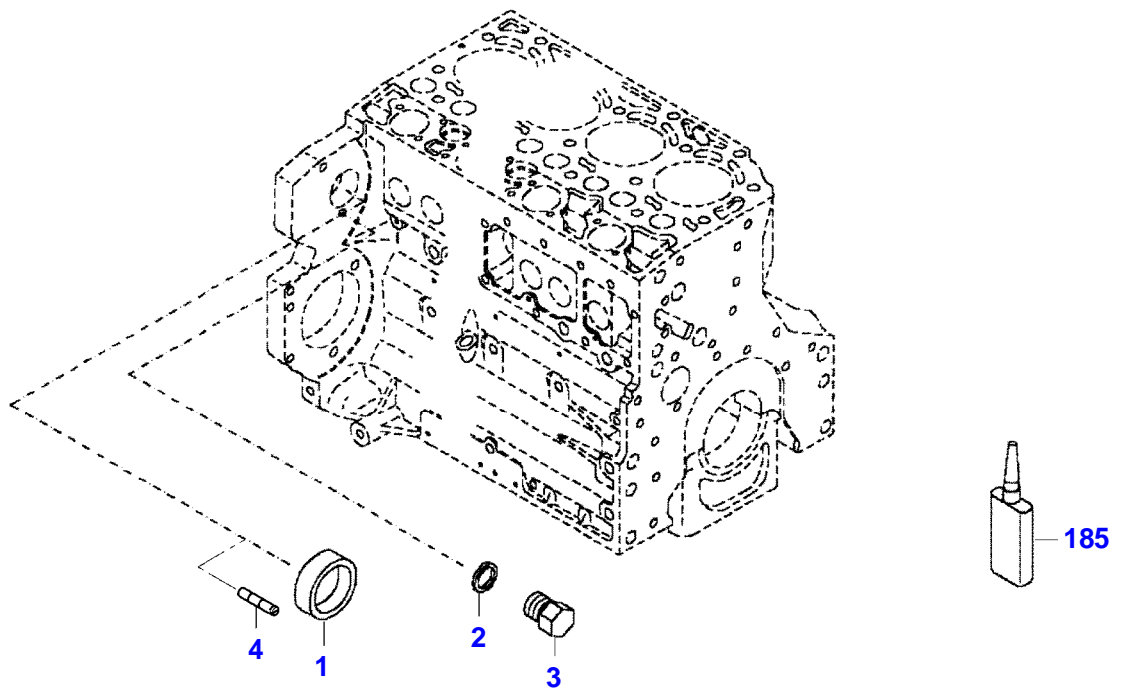
FENDT 722 SCR (736/00101-99999)
F061411



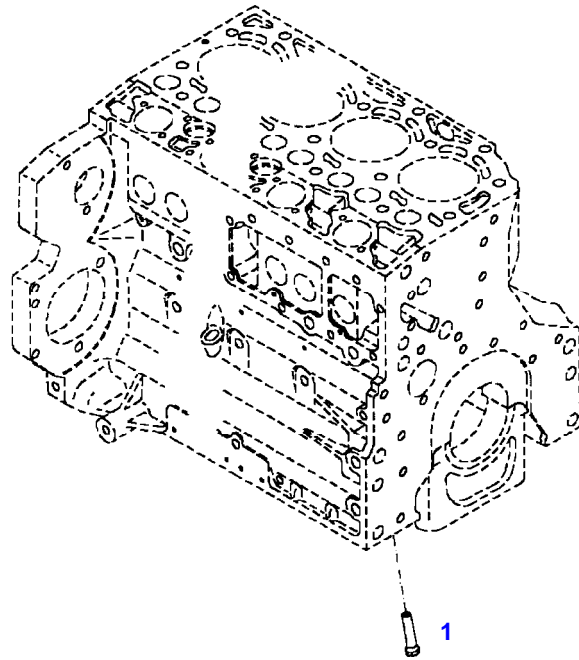
F061411



Item	Part Number	Qty	Description Comments	Technical Specification
			ENGINE NUMBER <-- 11727016	
	72609274	1	ENGINE <-- 736/2092	TCD6.1L6
1	72616334	1	CRANKCASE ><2-14	
2	72416467	14	HEXAGONAL HEAD BOLT	
3	72344342	14	ADAPTER BUSH	
4			NOT AVAILABLE IN SINGLE PARTS	
5	72456134	3	SEALING WASHER	DIN 7603 D14X20-CU-VERZINNT
6	72439874	1	SEALING WASHER	
7	72455559	1	PLUG SCREW	
8	72429347	2	SCREW M14X1,5	M14X1,5
9	72431135	1	LOCKING PLUG	
10	ACP0152940	6	FEMALE BEARING	
11	ACP0152930	1	FEMALE BEARING	
12	72325325	9	CORE HOLE PLUG	
13	72325326	6	CORE HOLE PLUG	
14	72315799	3	PLUG	DIN 7604 AM14X1,5-A3L
15	72315438	1	PLUG SCREW	DIN 908 M14X1,5-ST
185	72381391	1	THREADLOCKER	LOCTITE 243 10ML



Item	Part Number	Qty	Description Comments	Technical Specification
BLANKING PARTS				
1	72627515	1	CORE HOLE PLUG	
2	72315088	2	SEALING WASHER	DIN 7603 A10X13,5-CU
3	72323677	2	PLUG	
4	72631860	2	THREADED PIN	
185	72325403	1	SAFE.LOCK AGENT	



030004

Fendt

FENDT 722 SCR (736/00101-99999)

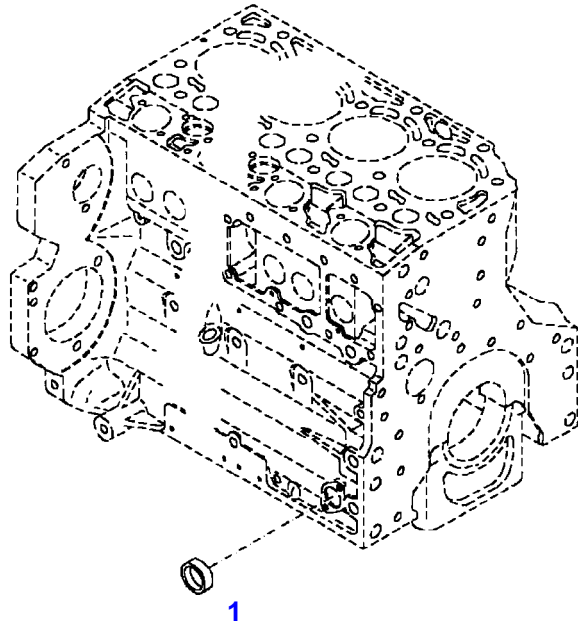
F736000

CRANKCASE

Page01-0007

Item	Part Number	Qty	Description Comments
			PISTON COOL.NOZZLE
1	72415140	6	PISTON COOLING JET

FENDT 722 SCR (736/00101-99999)
40194



040194

185



Fendt

FENDT 722 SCR (736/00101-99999)

F736000

CRANKCASE

Page01-0008

Item	Part Number	Qty	Description Comments
			LOCKING PLUG
1	72325326	1	CORE HOLE PLUG
185	72325403	1	SAFE.LOCK AGENT

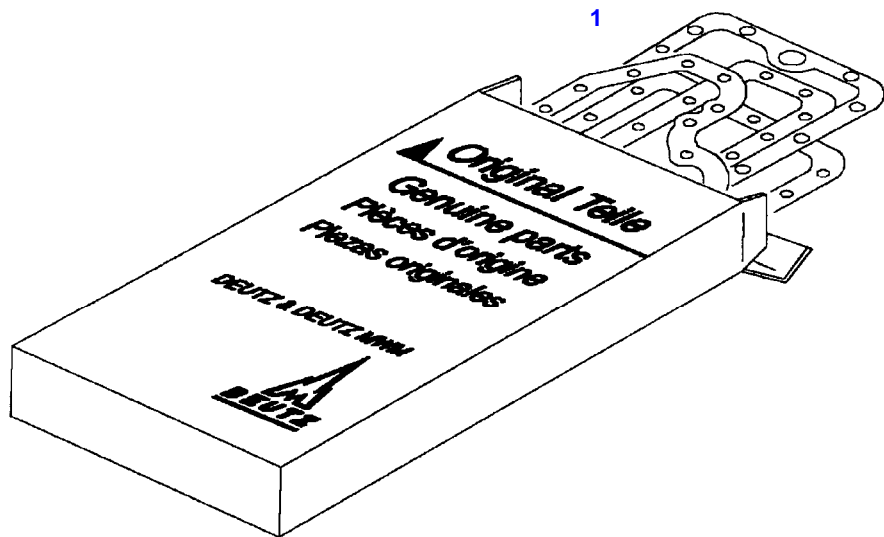
FENDT 722 SCR (736/00101-99999)
F51577



051577



Item	Part Number	Qty	Description Comments	Technical Specification
BLANKING PARTS				
2	72315799	1	PLUG NOT NEEDED WITH AIR BRAKE	DIN 7604 AM14X1,5-A3L
3	72315094	1	SEALING WASHER NOT NEEDED WITH AIR BRAKE	DIN 7603 A14X18-CU
4	72431648	1	COVER NOT NEEDED WITH AIR BRAKE	
5	72416472	1	SEAL 96X4MM NOT NEEDED WITH AIR BRAKE	
6	72438057	2	HEXAGONAL HEAD BOLT NOT NEEDED WITH AIR BRAKE	M10X20



030100

Fendt

FENDT 722 SCR (736/00101-99999)

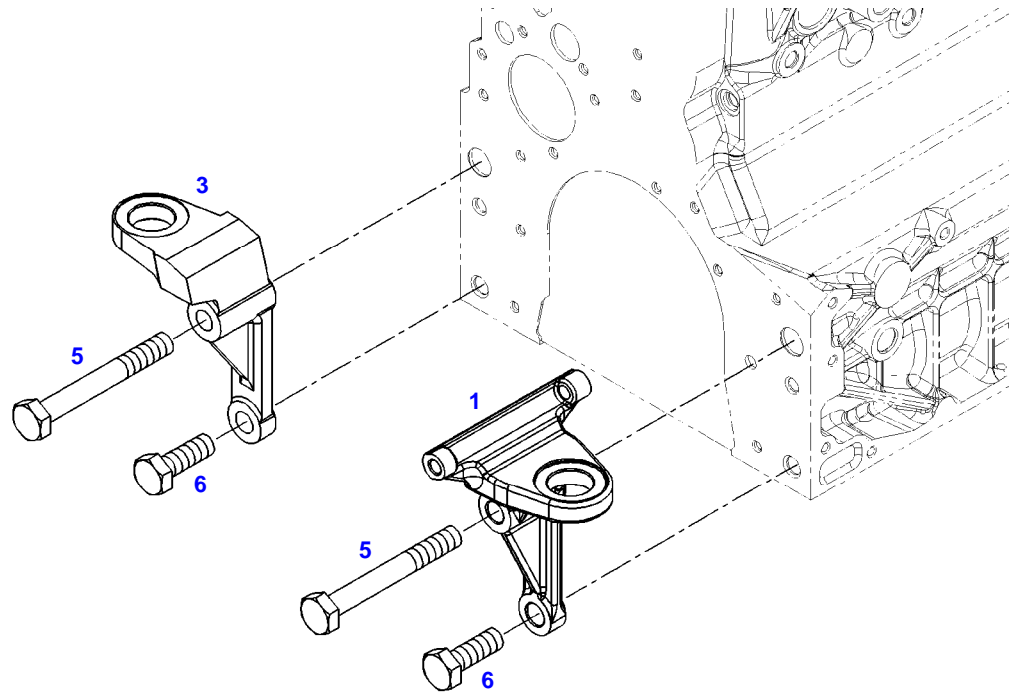
F736000

SET OF GASKETS - MOTOR

Page01-0010

Item	Part Number	Qty	Description Comments
1	72609323	1	SEAL KIT WITHOUT CYLINDER HEAD GASKET UP TO ENGINE NUMBER 11691133
	72615421	1	SEAL KIT WITHOUT CYLINDER HEAD GASKET FROM ENGINE S/N 11691134

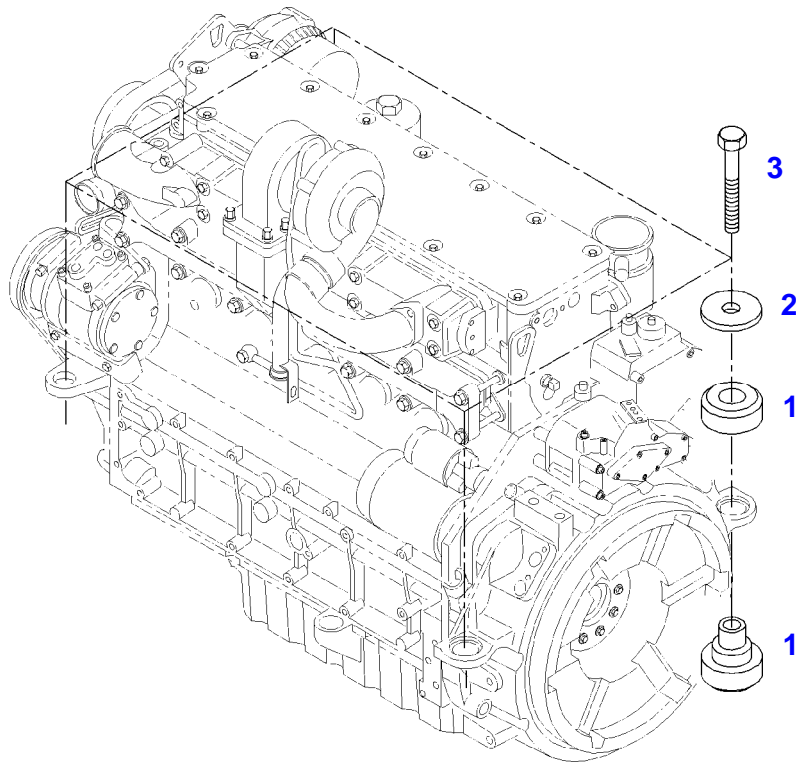
FENDT 722 SCR (736/00101-99999)
38791



038791

Item	Part Number	Qty	Description Comments	Technical Specification
1	72442925	1	ENGINE SUSPENSION LEFT	
3	72423955	1	ENGINE SUSPENSION RIGHT	
5	72374294	2	HEXAGONAL HEAD BOLT	DIN 931-M16X85 GWA-10.9
6	72418408	2	HEXAGONAL HEAD BOLT	DIN 933 M16X40 GWA-10.9

FENDT 722 SCR (736/00101-99999)
35107



035107

Fendt

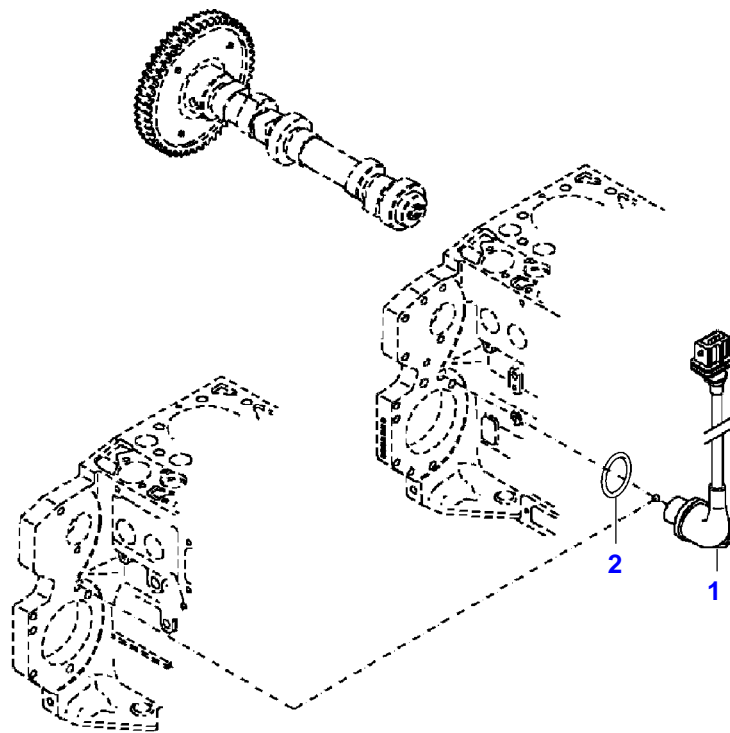
FENDT 722 SCR (736/00101-99999)

F736000

ENGINE BEARINGS

Page01-0012

Item	Part Number	Qty	Description Comments	Technical Specification
1	72423991	4	ENGINE MOUNT	
2	72318110	4	DISC	
3	72315563	4	HEXAGONAL HEAD BOLT	DIN 931 M12X80-8.8A3L



Fendt

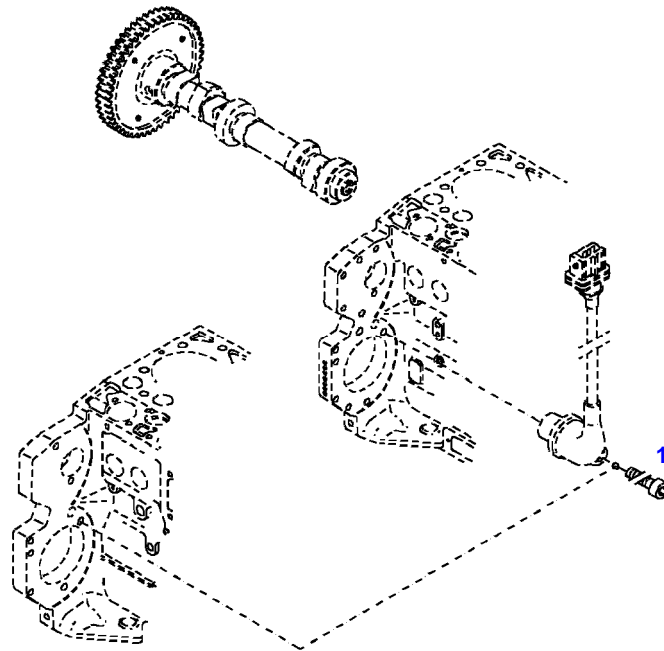
FENDT 722 SCR (736/00101-99999)

F736000

TRANSMITTER

Page01-0013

Item	Part Number	Qty	Description Comments
			ENGINE SPEED EDC
1	72626758	1	TRANSMITTER
2	72628348	1	O-RING



035317

Fendt

FENDT 722 SCR (736/00101-99999)

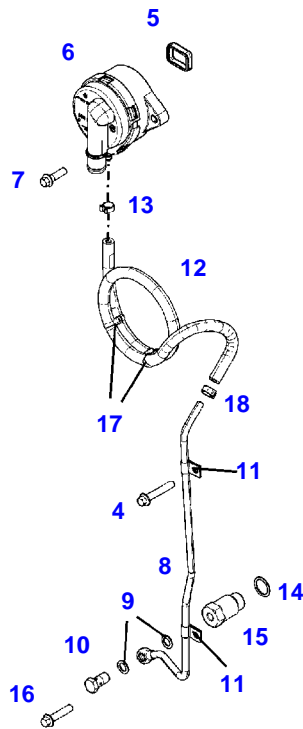
F736000

TRANSMITTER

Page01-0014

Item	Part Number	Qty	Description Comments	Technical Specification
			ENGINE SPEED FASTENINGS	
1	72315460	1	SOCKET HEAD BOLT	DIN 912 M6X16-8.8

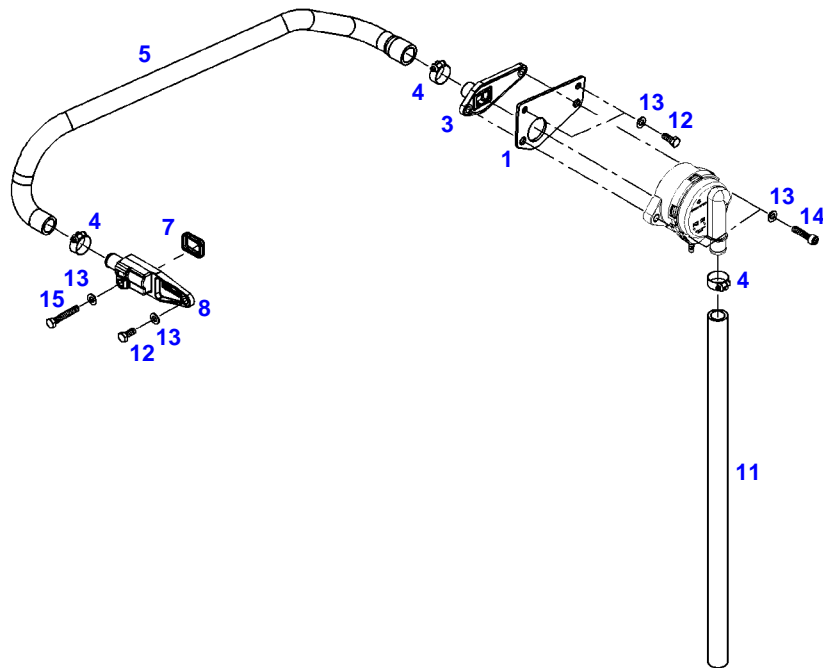
FENDT 722 SCR (736/00101-99999)
41345



041345

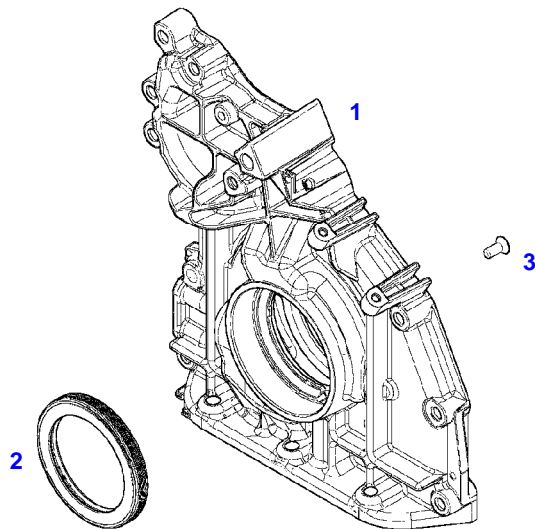
Item	Part Number	Qty	Description Comments	Technical Specification
4	72325453	1	HEXAGONAL HEAD BOLT M8X50	
5	72455795	1	SEAL	
6	72437250	1	BREATHER ><5	
7	72325293	2	HEXAGONAL HEAD BOLT M8X30	M8X30
8	72492442	1	OIL RETURN LINE ><9-13,17 ENG.NO. --> 11068463	
	72494112	1	OIL RETURN LINE ><9-13,17 ENG.NO. <-- 11068464	
9	72439873	2	SEALING WASHER	
10	72323517	1	BANJO BOLT	
11	72425772	2	PIPE CLAMP	
12	72494114	1	RUBBER HOSE	
13	72479013	1	HOSE CLIP	
14	72439874	1	SEALING WASHER	
15	72425770	1	LOCK VALVE	
16	72325457	1	HEXAGONAL HEAD BOLT M8X40	
17	72416001	2	RETAINING STRAP	
18	72479013	1	HOSE CLIP	

FENDT 722 SCR (736/00101-99999)
38786



038786

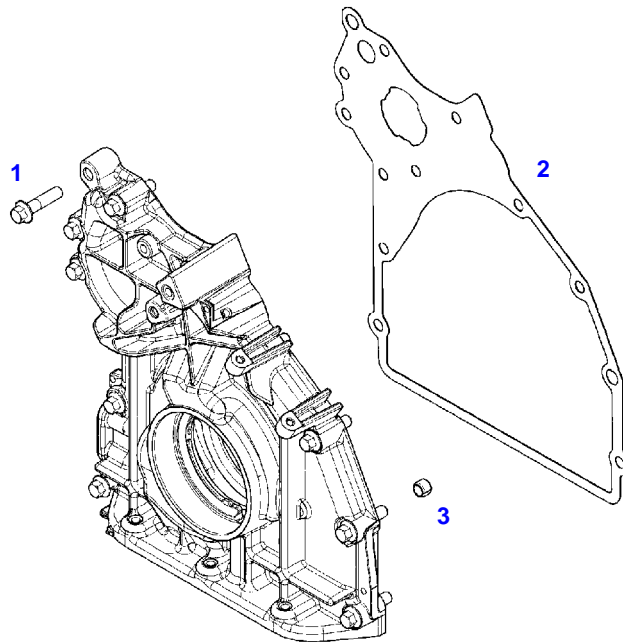
Item	Part Number	Qty	Description Comments	Technical Specification
BREATHER TUBE				
1	72442930	1	RETAINER	
3	72437633	1	CONNECTING FLANGE	
4	72311167	3	HOSE CLIP	
5	72442926	1	HOSE	
7	72455795	1	SEAL	
8	72455520	1	ADAPTER	
11	72495711	1	HOSE	
12	72315650	3	HEXAGONAL HEAD BOLT	DIN 933 M8 X 20-8.8A3L
13	72311788	6	DISC	DIN 125-8,4-ST.A3L
14	72315478	2	SOCKET HEAD BOLT	DIN 912 M8X35-8.8
15	72315668	1	HEXAGONAL HEAD BOLT	DIN 933 M8X50-8.8A3L



041199

Item	Part Number	Qty	Description Comments
			INTEGRATED OIL PUMP
1	72479485	1	CRANKCASE END COVER INTEGRATED OIL PUMP ><2,3
2	72479487	1	SHAFT SEAL
3	72416228	8	COUNTERSUNK CAPSCREW M6X16

FENDT 722 SCR (736/00101-99999)
41243



041243

Fendt

FENDT 722 SCR (736/00101-99999)

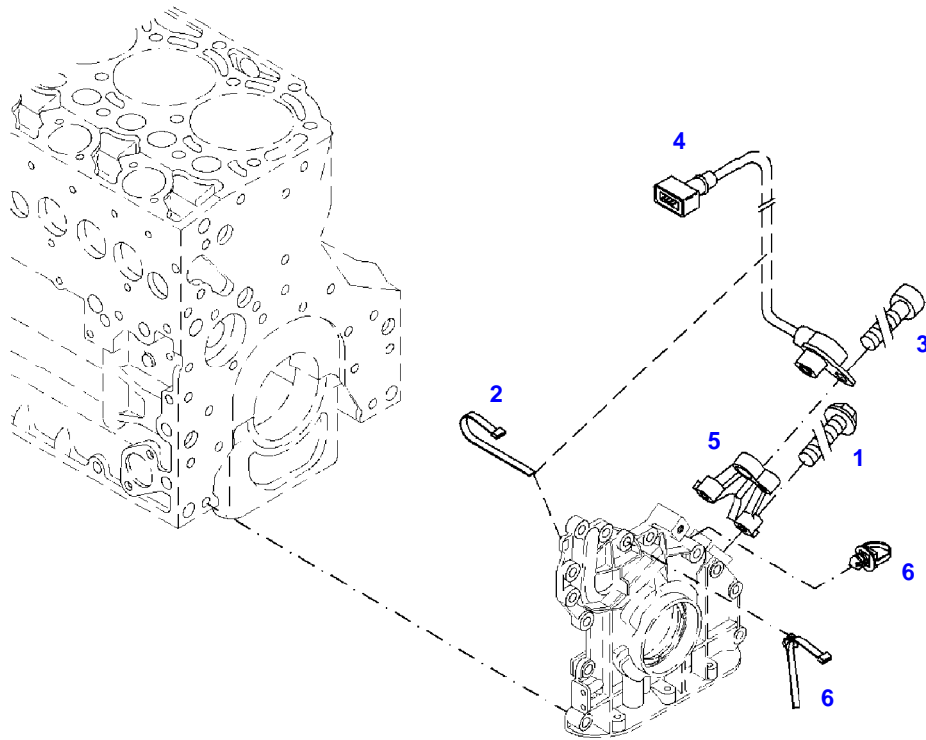
F736000

FRONT COVER

Page01-0018

Item	Part Number	Qty	Description Comments	Technical Specification
FASTENINGS				
1	72605244	12	HEXAGONAL HEAD BOLT M8X35	M8X35
2	72486511	1	SEAL	
3	72325352	1	TENSIONER BUSHING	

FENDT 722 SCR (736/00101-99999)
41001



041001



Suggest:

For more complete manuals. Please go to the home page.

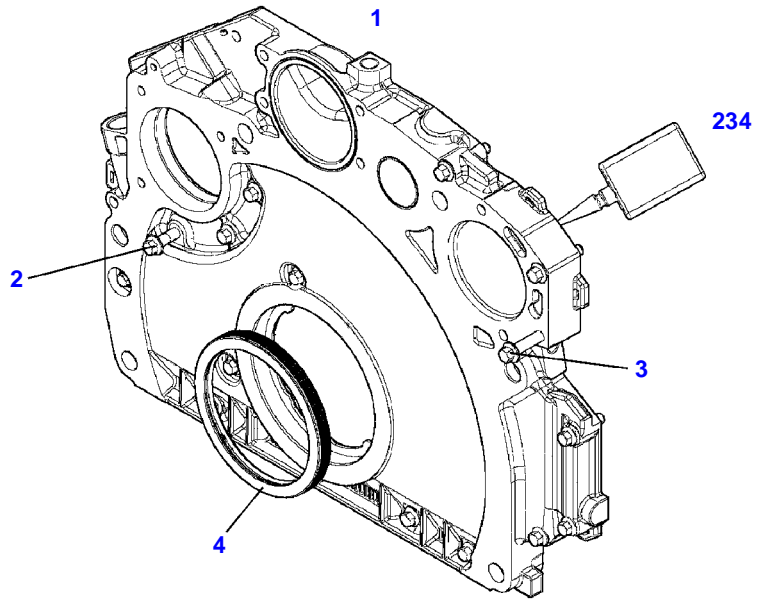
<https://www.ebooklibonline.com>

If the above button click is invalid. Please download this document first, and then click the above link to download the complete manual.

Thank you so much for reading

Item	Part Number	Qty	Description Comments	Technical Specification
			ENGINE SPEED EDC	
1	72436834	2	HEXAGONAL HEAD BOLT M6X30	
2	72416001	3	RETAINING STRAP	
3	72315460	1	SOCKET HEAD BOLT	DIN 912 M6X16-8.8
4	72436872	1	TRANSMITTER ENGINE SPEED EDC	
5	72494073	1	RETAINER	
6	72455561	2	RETAINING STRAP	

FENDT 722 SCR (736/00101-99999)
41231



041231

<https://www.ebooklibonline.com>

Hello dear friend!

Thank you very much for reading.

Enter the link into your browser.

The full manual is available for immediate download.

<https://www.ebooklibonline.com>