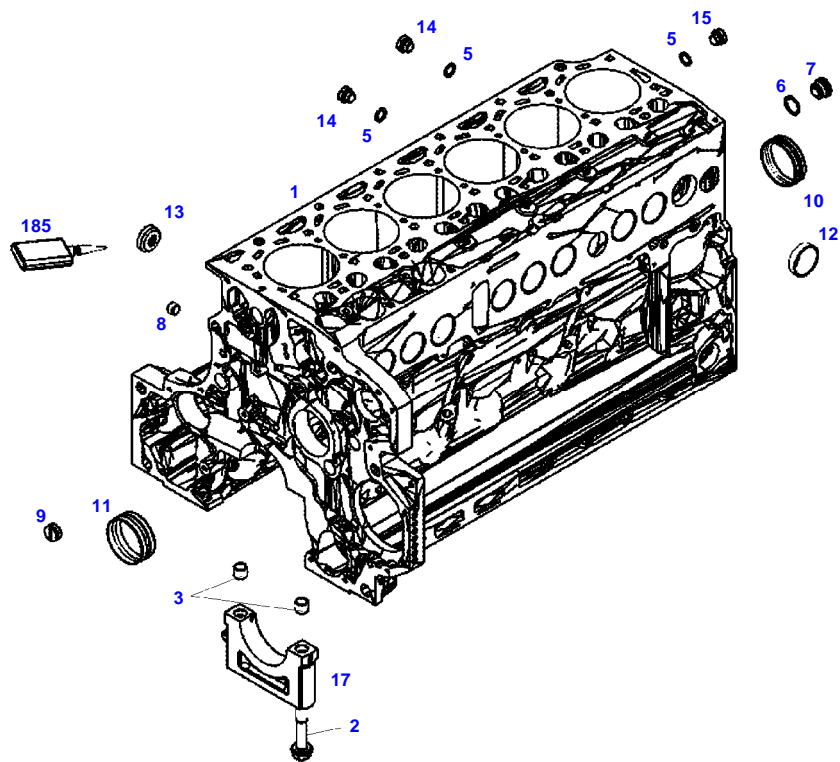


**TABLE OF CONTENT**

<b>Page Number</b>	<b>Page Title</b>	<b>Page Reference</b>
01-000-TOC	ENGINE, FUEL AND EXHAUST SYSTEM	01-000-TOC
02-000-TOC	AXLES	02-000-TOC
03-000-TOC	STEERING SYSTEM	03-000-TOC
04-000-TOC	DRIVE TRAIN SYSTEM	04-000-TOC
05-000-TOC	COMPRESSED AIR SYSTEM	05-000-TOC
06-000-TOC	HYDRAULIC SYSTEM	06-000-TOC
07-000-TOC	ELECTRICAL SYSTEM	07-000-TOC
08-000-TOC	CAB	08-000-TOC
09-000-TOC	AIR CONDITIONING AND HEATING SYSTEM	09-000-TOC
10-000-TOC	CHASSIS	10-000-TOC
11-000-TOC	WHEELS	11-000-TOC
12-000-TOC	IMPLEMENT LIFT SYSTEM FRONT	12-000-TOC
13-000-TOC	IMPLEMENT LIFT SYSTEM REAR	13-000-TOC
14-000-TOC	LINKAGE	14-000-TOC
15-000-TOC	FRONT/REAR LOADERS	15-000-TOC
16-000-TOC	PRECISION FARMING SYSTEMS	16-000-TOC
17-000-TOC	ACCESSORIES	17-000-TOC



051160

Item	Part Number	Qty	Description Comments	Technical Specification
			<b>ENGINE</b> <-- 11903824 --> 11922234	
	72624628	1	ENGINE	TCD6.1L6
1	72625677	1	CRANKCASE	
2	72416467	14	HEXAGONAL HEAD BOLT	
3	72344342	14	ADAPTER BUSH	
5	72439867	4	SEALING WASHER	DIN7603-14X18-CU-VERZ
6	72439874	1	SEALING WASHER	
7	72455559	1	PLUG SCREW	
8	72429347	1	SCREW	M14X1,5
9	72431135	1	LOCKING PLUG	
10	ACP0152940	6	FEMALE BEARING	
11	ACP0152930	1	FEMALE BEARING	
12	72325325	9	CORE HOLE PLUG	
13	72325326	6	CORE HOLE PLUG	
14	72315799	3	PLUG	DIN 7604 AM14X1,5-A3L
15	72315438	1	PLUG SCREW	DIN 908 M14X1,5-ST
17				
			NOT AVAILABLE IN SINGLE PARTS	
185	72381391	1	THREADLOCKER	LOCTITE 243 10ML

**<https://www.ebooklibonline.com>**

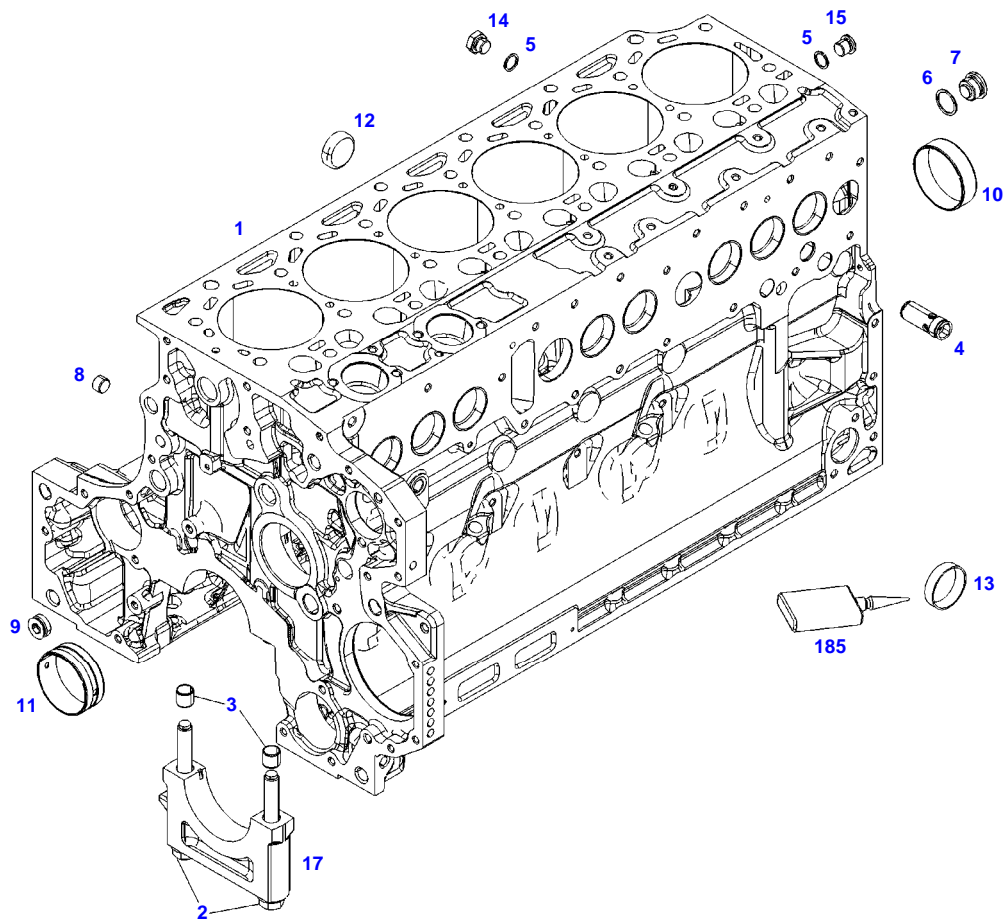
Hello dear friend!

Thank you very much for reading.

Enter the link into your browser.

The full manual is available for immediate download.

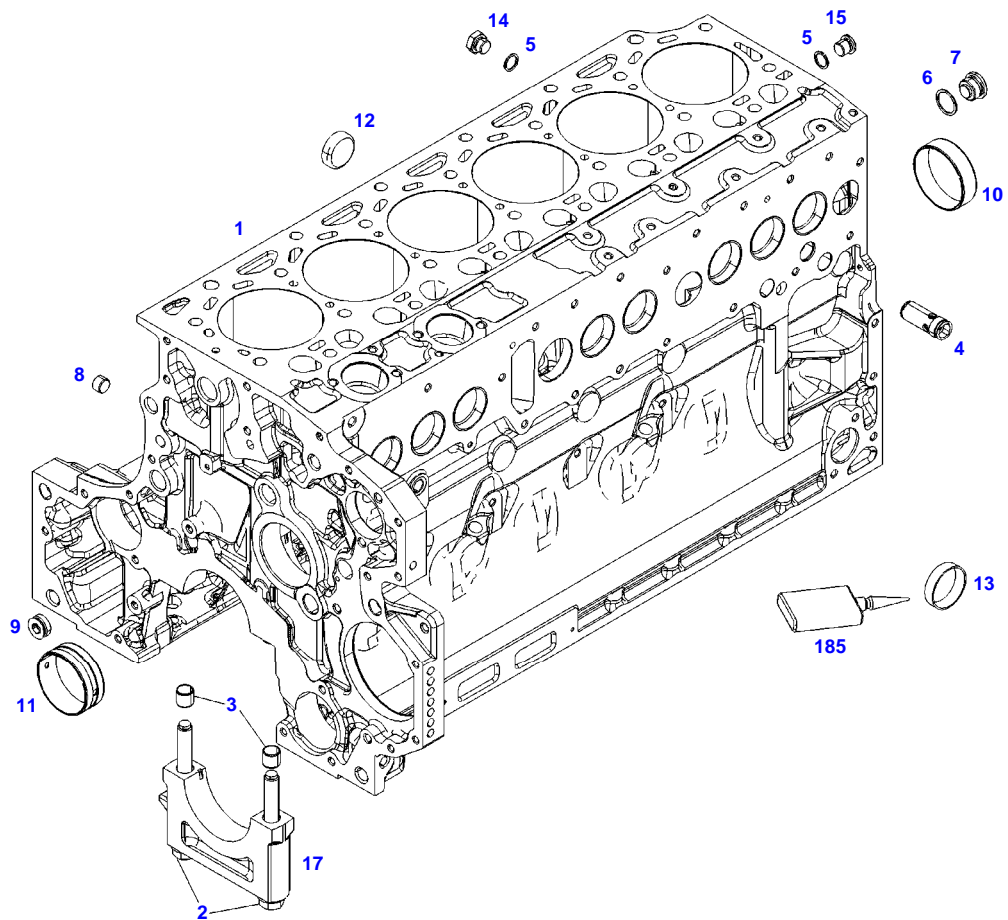
**<https://www.ebooklibonline.com>**



F061603



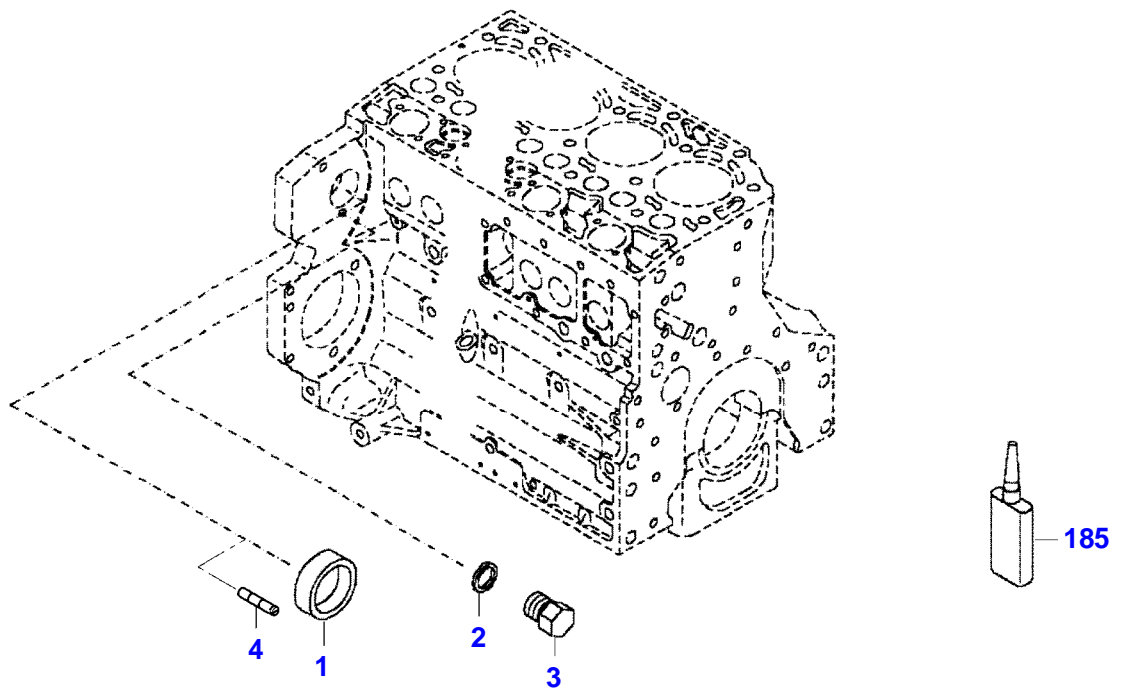
Item	Part Number	Qty	Description Comments	Technical Specification
			<b>ENGINE</b> <-- 11922235 --> 12299950	
	72624628	1	ENGINE FROM - UP TO MACHINE S/N 742/101 - 742/6023	TCD6.1L6
	72627973	1	DIESEL ENGINE FROM MACHINE S/N 742/6024	F742 NA
1	72627713	1	CRANKCASE	
2	72416467	14	HEXAGONAL HEAD BOLT	
3	72344342	14	ADAPTER BUSH	
4	72628299	1	DISCHARGE VALVE	
5	72439867	3	SEALING WASHER	DIN7603-14X18-CU-VERZ
6	72439874	1	SEALING WASHER	
7	72455559	1	PLUG SCREW	
8	72429347	1	SCREW	M14X1,5
9	72431135	1	LOCKING PLUG	
10	ACP0152940	6	FEMALE BEARING	
11	ACP0152930	1	FEMALE BEARING	
12	72325325	9	CORE HOLE PLUG	
13	72325326	6	CORE HOLE PLUG	
14	72315799	3	PLUG	DIN 7604 AM14X1,5-A3L
15	72315438	1	PLUG SCREW	DIN 908 M14X1,5-ST
17			NOT AVAILABLE IN SINGLE PARTS	
185	72416485	1	SAFE.LOCK AGENT	



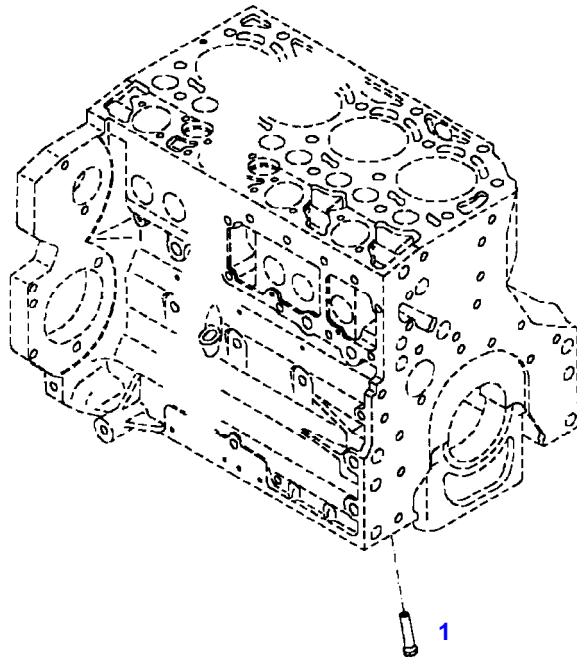
F061603



Item	Part Number	Qty	Description Comments	Technical Specification
			<b>FROM ENGINE S/N 12299951</b>	
	72624628	1	ENGINE FROM - UP TO MACHINE S/N 742/101 - 742/6023	TCD6.1L6
	72627973	1	DIESEL ENGINE FROM MACHINE S/N 742/6024	F742 NA
1	72627713	1	CRANKCASE	
2	72416467	14	HEXAGONAL HEAD BOLT	
3	72344342	14	ADAPTER BUSH	
4	72628299	1	DISCHARGE VALVE	
5	72439867	3	SEALING WASHER	DIN7603-14X18-CU-VERZ
6	72439874	1	SEALING WASHER	
7	72455559	1	PLUG SCREW	
8	72429347	1	SCREW	M14X1,5
9	72431135	1	LOCKING PLUG	
10	ACP0152940	6	FEMALE BEARING	
11	ACP0152930	1	FEMALE BEARING	
12	72325325	9	CORE HOLE PLUG	
13	72325326	6	CORE HOLE PLUG	
14	72315799	3	PLUG	DIN 7604 AM14X1,5-A3L
15	72315438	1	PLUG SCREW	DIN 908 M14X1,5-ST
17				
			NOT AVAILABLE IN SINGLE PARTS	
185	72416485	1	SAFE.LOCK AGENT	



Item	Part Number	Qty	Description Comments	Technical Specification
<b>BLANKING PARTS</b>				
1	72627515	1	CORE HOLE PLUG UP TO ENGINE NUMBER 11981720	
	72628071	1	CAP COVER FROM ENGINE S/N 11981721	
2	72315088	2	SEALING WASHER	DIN 7603 A10X13,5-CU
3	72323677	2	PLUG	
4	72631860	2	THREADED PIN UP TO ENGINE S/N 12473740	
	72657969	2	PLUG SCREW STARTING FROM ENGINE SERIAL NUMBER 12473741	
185	72325403	1	SAFE.LOCK AGENT UP TO ENGINE NUMBER 11981720	
	72493900	1	INSTALLATION AIDS FROM ENGINE S/N 11981721	



030004

---

Fendt

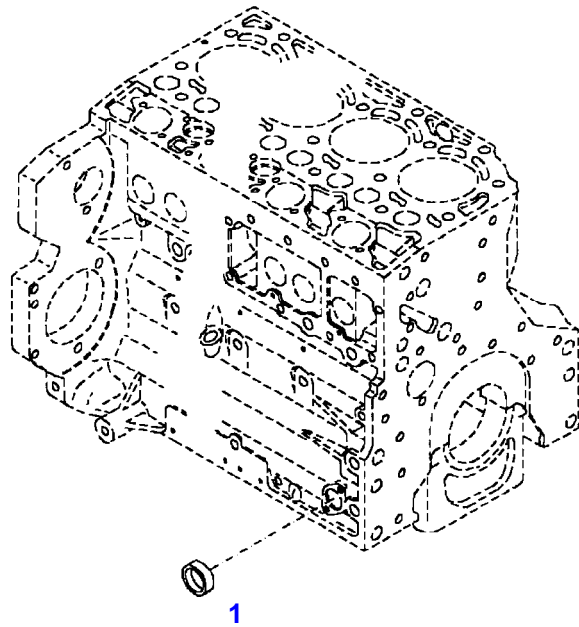
FENDT 722NA S4 (742/00101-06000) (WAM742XXX00F06001-99999)

F742105

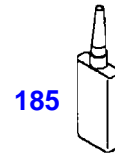
CRANKCASE

Page01-0008

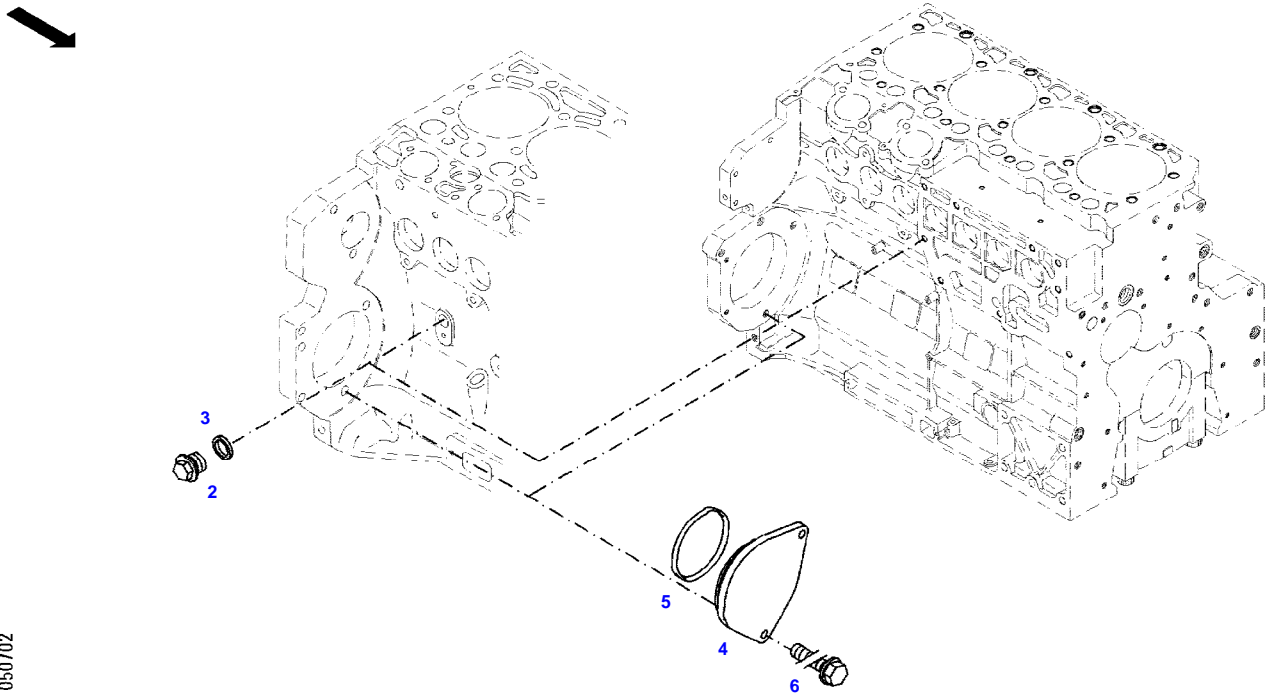
Item	Part Number	Qty	Description Comments
			PISTON COOL.NOZZLE
1	72415140	6	PISTON COOLING JET



040194

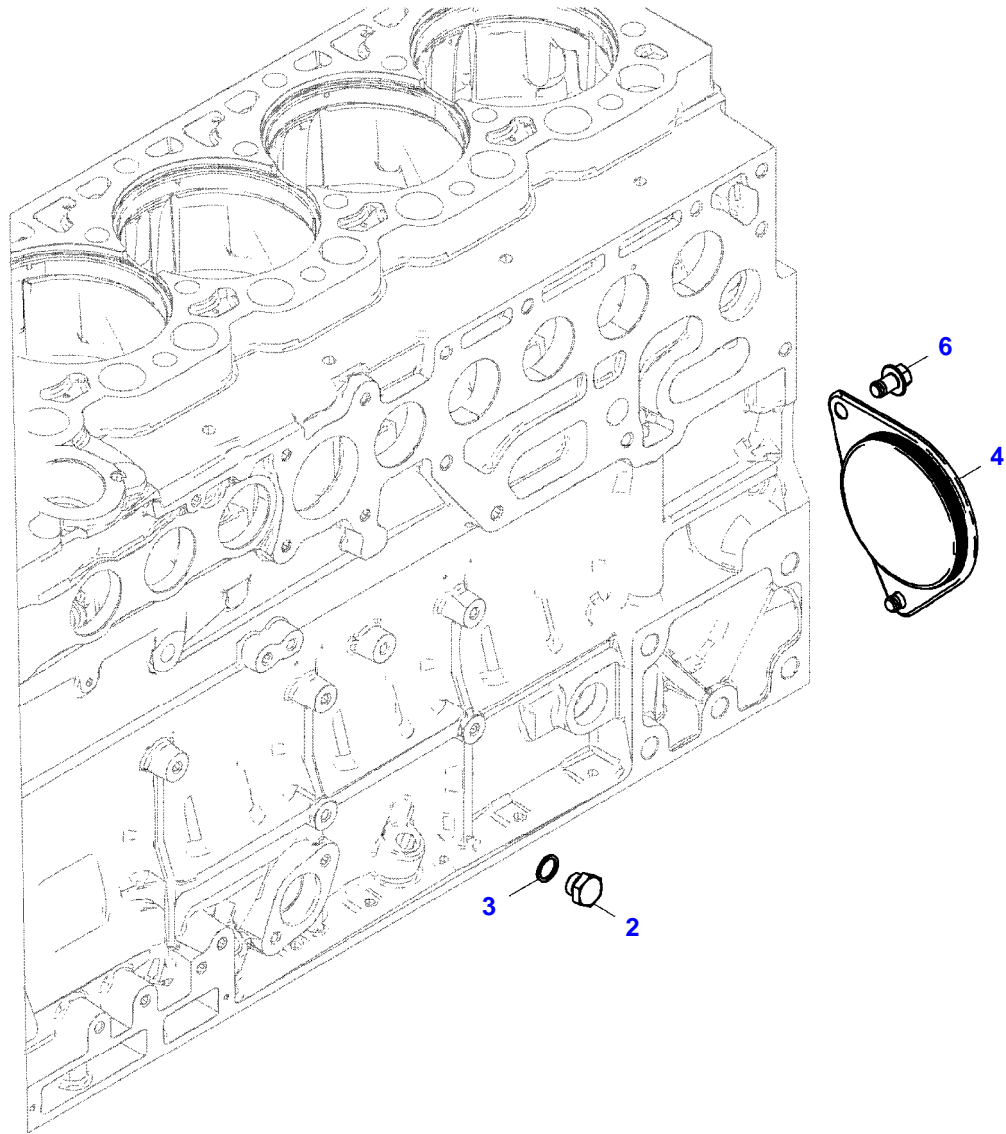


Item	Part Number	Qty	Description Comments
			<b>LOCKING PLUG</b>
1	72325326	1	CORE HOLE PLUG UP TO ENGINE NUMBER 11981720
	72628072	1	CAP COVER FROM ENGINE S/N 11981721
185	72325403	1	SAFE.LOCK AGENT UP TO ENGINE NUMBER 11981720
	72493900	1	INSTALLATION AIDS FROM ENGINE S/N 11981721



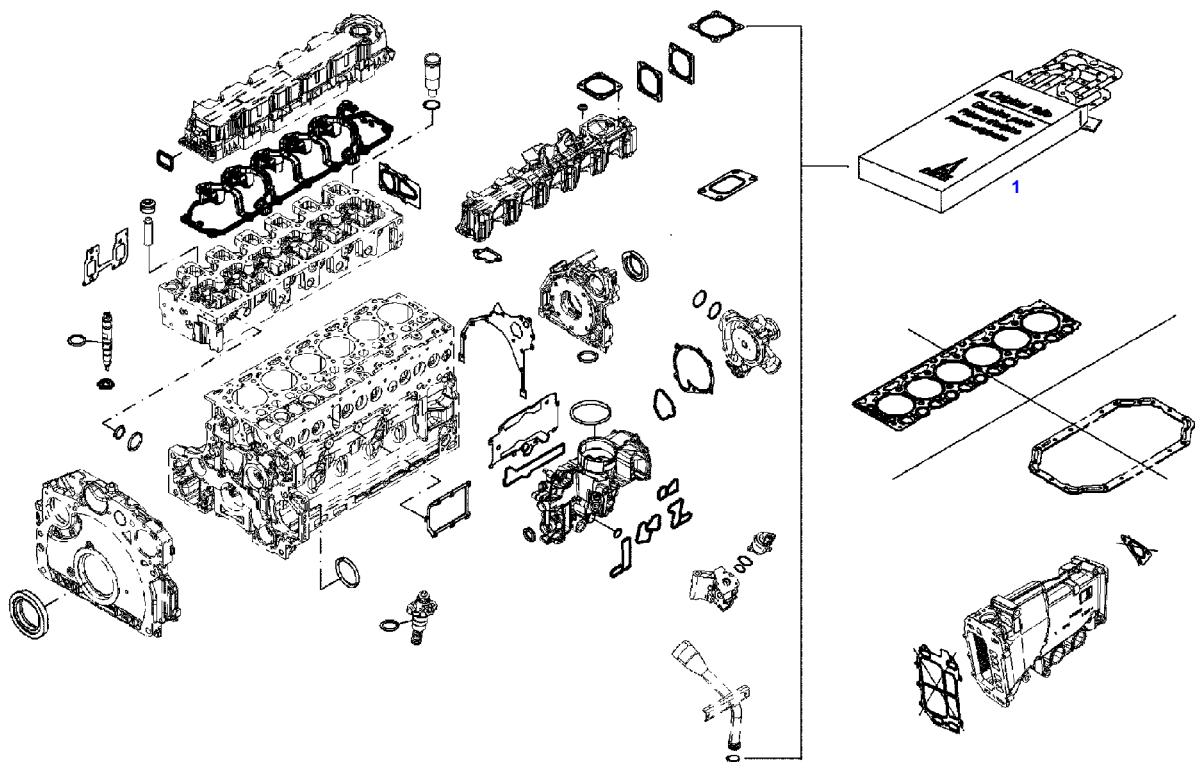
050702

Item	Part Number	Qty	Description Comments	Technical Specification
<b>BLANKING PARTS</b>				
2	72315799	1	PLUG NOT NEEDED WITH AIR BRAKE	DIN 7604 AM14X1,5-A3L
3	72439867	1	SEALING WASHER NOT NEEDED WITH AIR BRAKE	DIN7603-14X18-CU-VERZ
4	72431648	1	COVER NOT NEEDED WITH AIR BRAKE	
5	72416472	1	SEAL 96X4MM NOT NEEDED WITH AIR BRAKE	
6	72438057	1	HEXAGONAL HEAD BOLT NOT NEEDED WITH AIR BRAKE UP TO 2017-08	M10X20
	72657640	1	HEXAGONAL HEAD BOLT NOT NEEDED WITH AIR BRAKE FROM 2017-09	M10X16



25548786-M-1

Item	Part Number	Qty	Description Comments	Technical Specification
			<b>BLANKING PARTS FROM ENGINE S/N 12163344</b>	
2	72631866	1	PLUG SCREW NOT NEEDED WITH AIR BRAKE	
3	72439867	1	SEALING WASHER NOT NEEDED WITH AIR BRAKE	DIN7603-14X18-CU-VERZ
4	72657732	1	COVER NOT NEEDED WITH AIR BRAKE	
6	72657640	2	HEXAGONAL HEAD BOLT	M10X16



051161

---

Fendt

---

FENDT 722NA S4 (742/00101-06000) (WAM742XXX00F06001-99999)

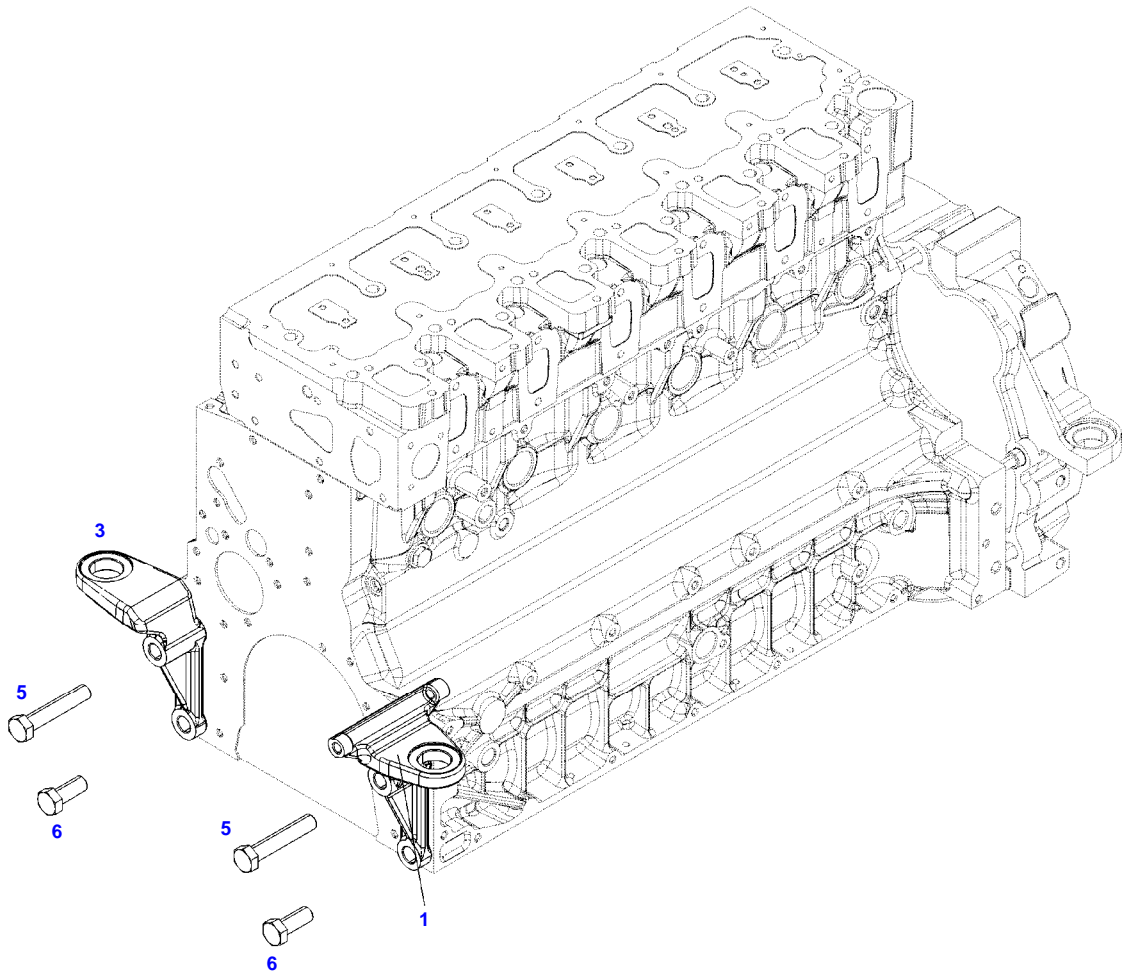
F742105

---

SET OF GASKETS - MOTOR

Page01-0012

Item	Part Number	Qty	Description Comments
1	72615421	1	SEAL KIT WITHOUT CYLINDER HEAD GASKET



051220



---

Fendt

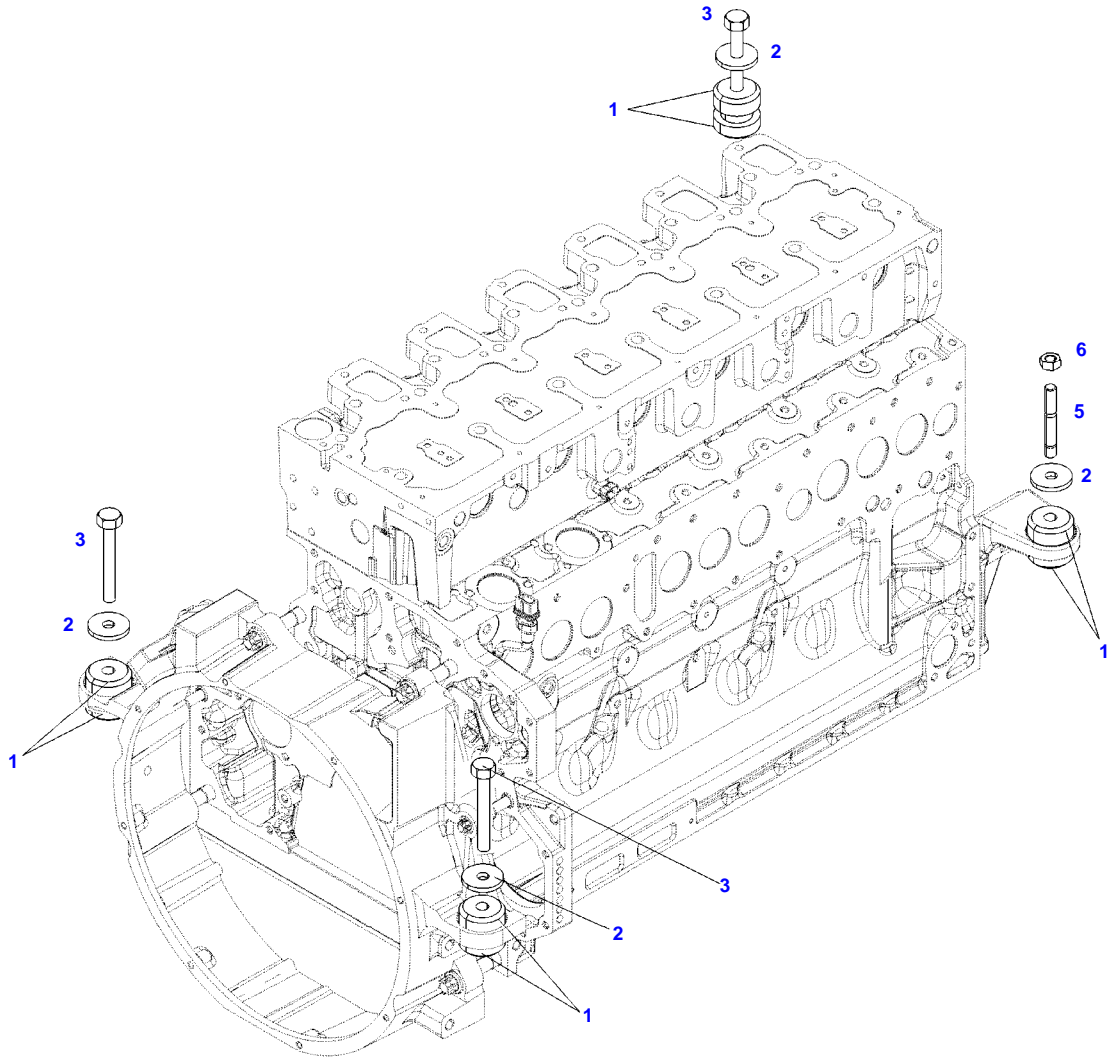
FENDT 722NA S4 (742/00101-06000) (WAM742XXX00F06001-99999)

F742105

ENGINE MOUNTINGS

Page01-0013

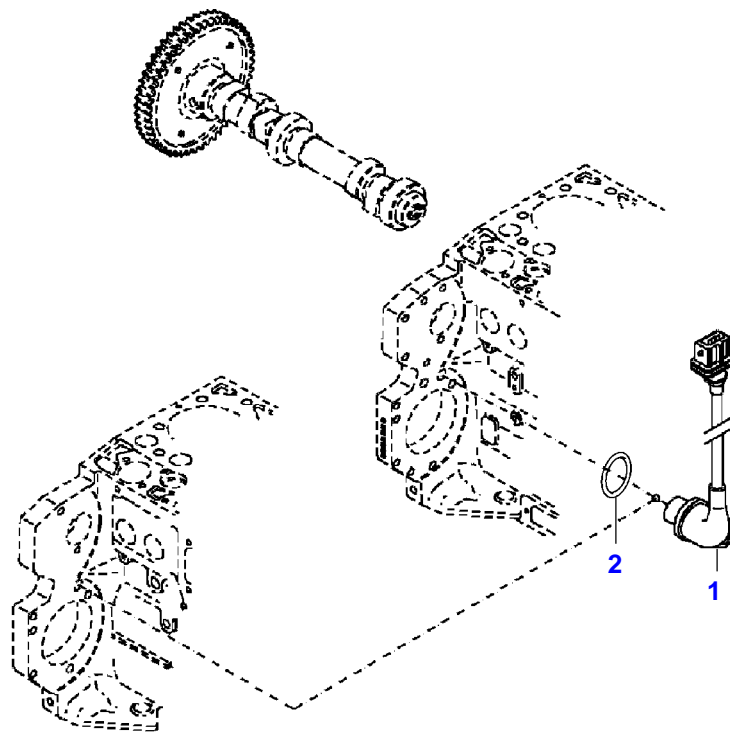
Item	Part Number	Qty	Description Comments	Technical Specification
1	72600590	1	ENGINE SUSPENSION	LI
3	72613694	1	ENGINE SUSPENSION	R
5	72374294	2	HEXAGONAL HEAD BOLT	DIN 931-M16X85 GWA-10.9
6	72418408	2	HEXAGONAL HEAD BOLT	DIN 933 M16X40 GWA-10.9



051219



<b>Item</b>	<b>Part Number</b>	<b>Qty</b>	<b>Description Comments</b>	<b>Technical Specification</b>
1	72423991	4	ENGINE MOUNT	
2	72318110	4	DISC	
3	72315563	3	HEXAGONAL HEAD BOLT	DIN 931 M12X80-8.8A3L
5	72614203	1	SCREW	DIN 939 M12X70-8.8 A3L
6	72313276	1	NUT	DIN 934 M12-8A3L



431755-M-1

Fendt

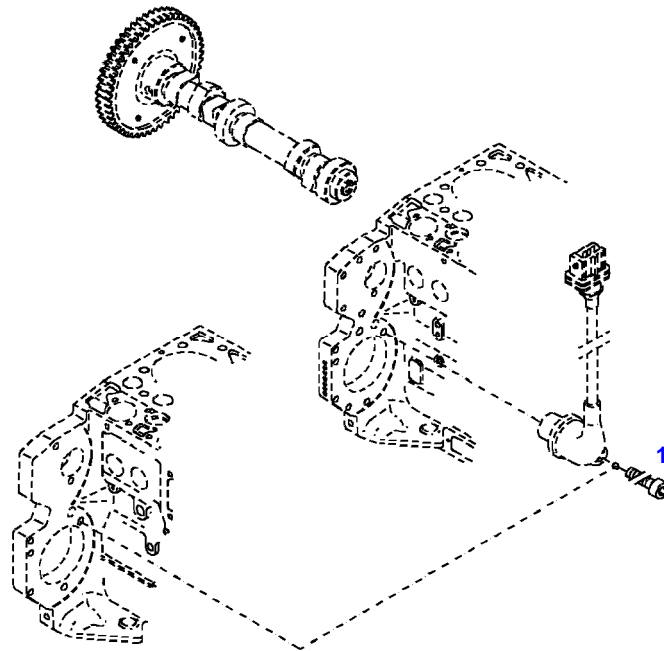
FENDT 722NA S4 (742/00101-06000) (WAM742XXX00F06001-99999)

F742105

TRANSMITTER

Page01-0015

Item	Part Number	Qty	Description Comments
			ENGINE SPEED EDC
1	72626758	1	TRANSMITTER
2	72628348	1	O-RING



035317

Fendt

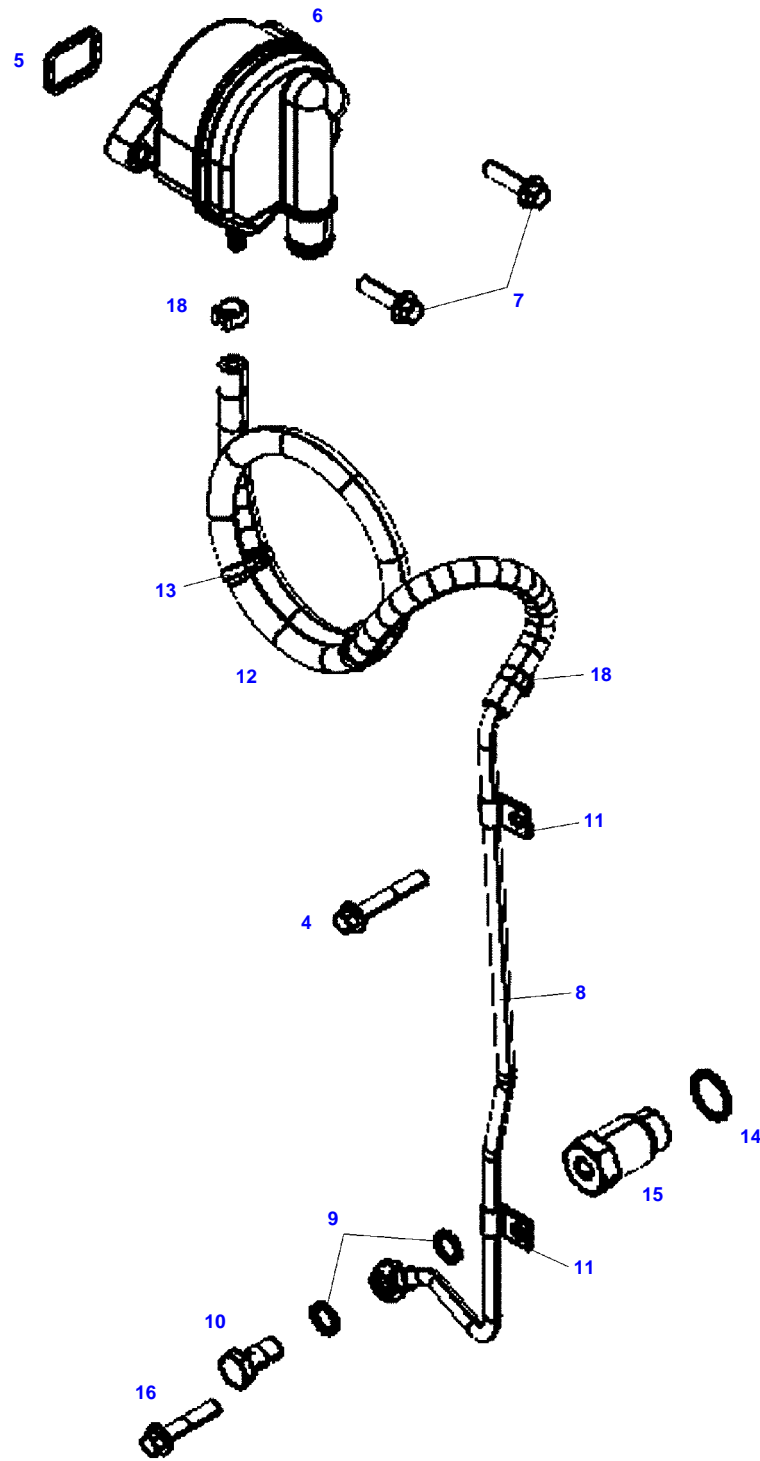
FENDT 722NA S4 (742/00101-06000) (WAM742XXX00F06001-99999)

F742105

TRANSMITTER

Page01-0016

Item	Part Number	Qty	Description Comments	Technical Specification
			ENGINE SPEED FASTENINGS	
1	72315460	1	SOCKET HEAD BOLT	DIN 912 M6X16-8.8



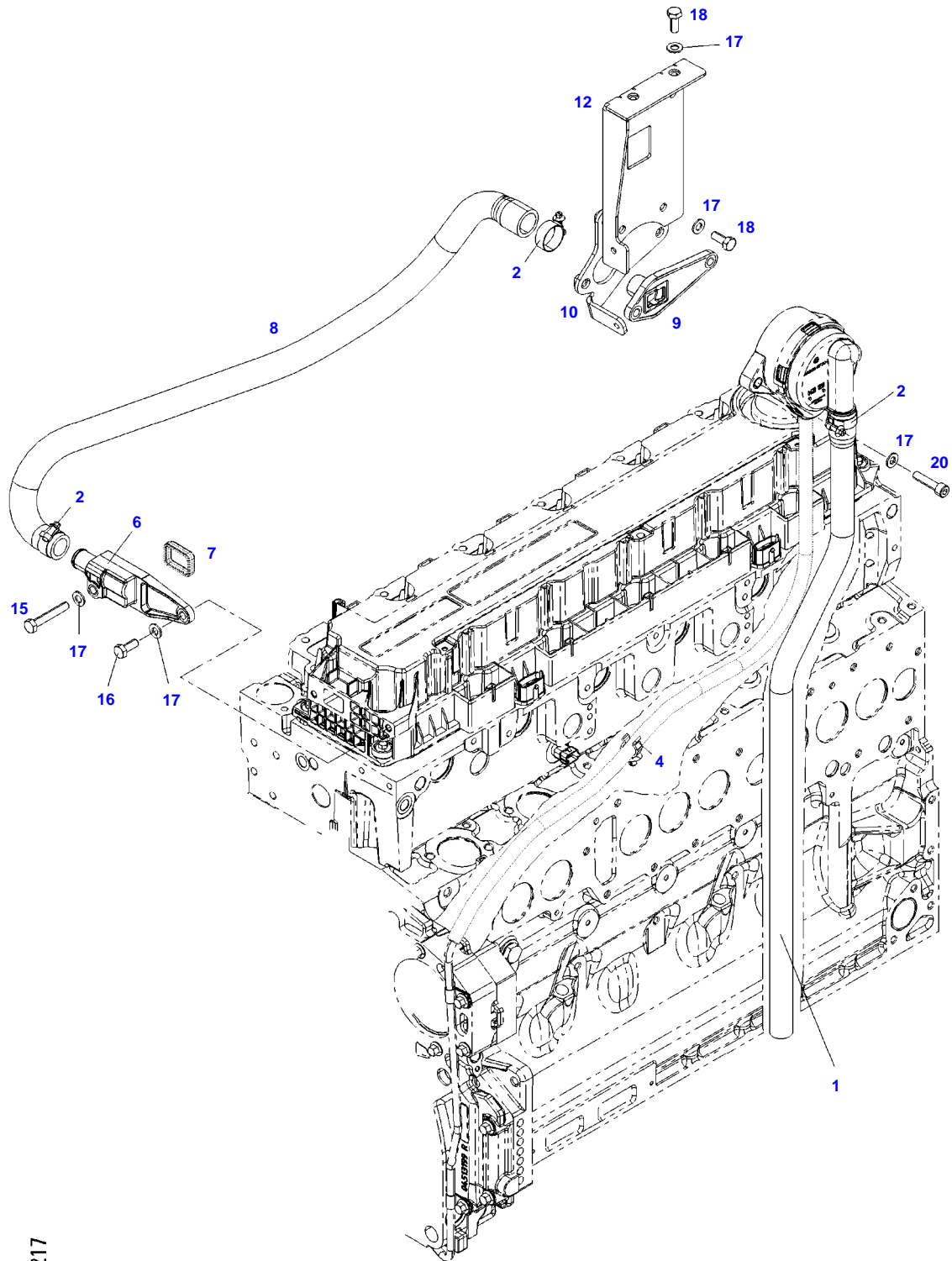
F060828



## CRANKCASE BREATHER

Item	Part Number	Qty	Description Comments	Technical Specification
4	72325453	1	HEXAGONAL HEAD BOLT	
5	72455795	1	SEAL	
6	72437250	1	BREATHER ><5	
7	72325293	2	HEXAGONAL HEAD BOLT M8X30	M8X30
8	72615422	1	OIL RETURN LINE ><9-13	
9	72439873	2	SEALING WASHER	
10	72323517	1	BANJO BOLT	
11	72425772	2	PIPE CLAMP	
12	72479423	1	RUBBER HOSE	
13	72416001	2	RETAINING STRAP	
14	72439874	1	SEALING WASHER	
15	72425770	1	LOCK VALVE	
16	72325457	1	HEXAGONAL HEAD BOLT M8X40	
18	72479013	2	HOSE CLIP	

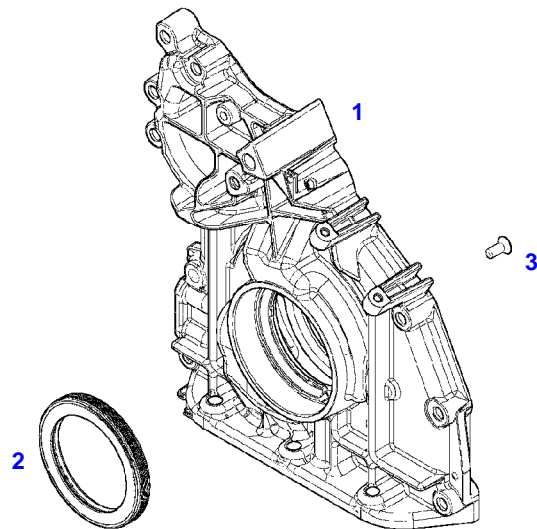
FENDT 722NA S4 (742/00101-06000) (WAM742XXX00F06001-99999)  
F51217



051217



Item	Part Number	Qty	Description Comments	Technical Specification
<b>BREATHER TUBE</b>				
1	72648984	1	HOSE	
2	72311167	3	HOSE CLIP	
4	72488959	1	CLIP	SCHLAUCH POM
6	72455520	1	ADAPTER	
7	72455795	1	SEAL	
8	72648983	1	HOSE	
9	72437633	1	CONNECTING FLANGE	
10	72613957	1	BRACKET	
12	72613956	1	BRACKET	
15	72315665	1	HEXAGONAL HEAD BOLT	DIN 933 M8X45-8.8A3L
16	72315650	1	HEXAGONAL HEAD BOLT	DIN 933 M8 X 20-8.8A3L
17	72315053	8	SPLIT WASHER	FWN 65208-8-A3L
18	72315642	4	HEXAGONAL HEAD BOLT	DIN 933 M8 X 16-8.8A3L
20	72315478	2	SOCKET HEAD BOLT	DIN 912 M8X35-8.8



041199

---

Fendt

FENDT 722NA S4 (742/00101-06000) (WAM742XXX00F06001-99999)

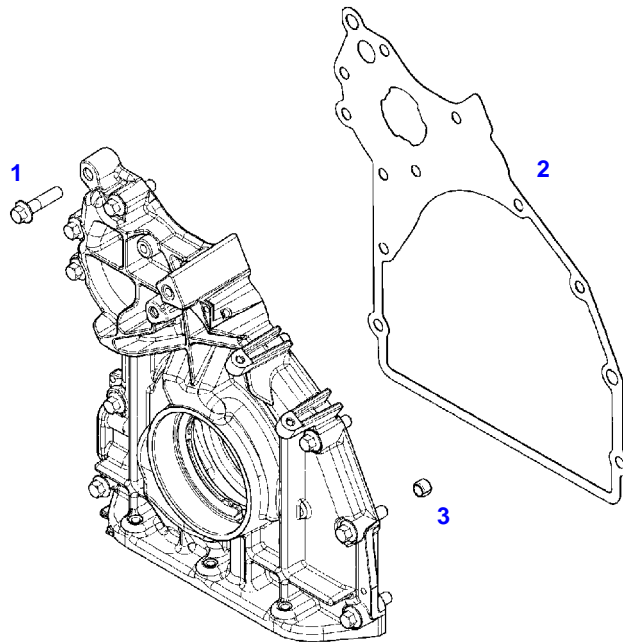
F742105

FRONT COVER

Page01-0019

---

Item	Part Number	Qty	Description Comments
			<b>INTEGRATED OIL PUMP</b>
1	72648947	1	CRANKCASE END COVER INTEGRATED OIL PUMP ><2,3
2	72479487	1	SHAFT SEAL
3	72416228	8	COUNTERSUNK CAPSCREW M6X16



041243

Fendt

FENDT 722NA S4 (742/00101-06000) (WAM742XXX00F06001-99999)

F742105

FRONT COVER

Page01-0020

Item	Part Number	Qty	Description Comments	Technical Specification
<b>FASTENINGS</b>				
1	72605244	12	HEXAGONAL HEAD BOLT M8X35	M8X35
2	72486511	1	SEAL	
3	72325352	1	TENSIONER BUSHING	



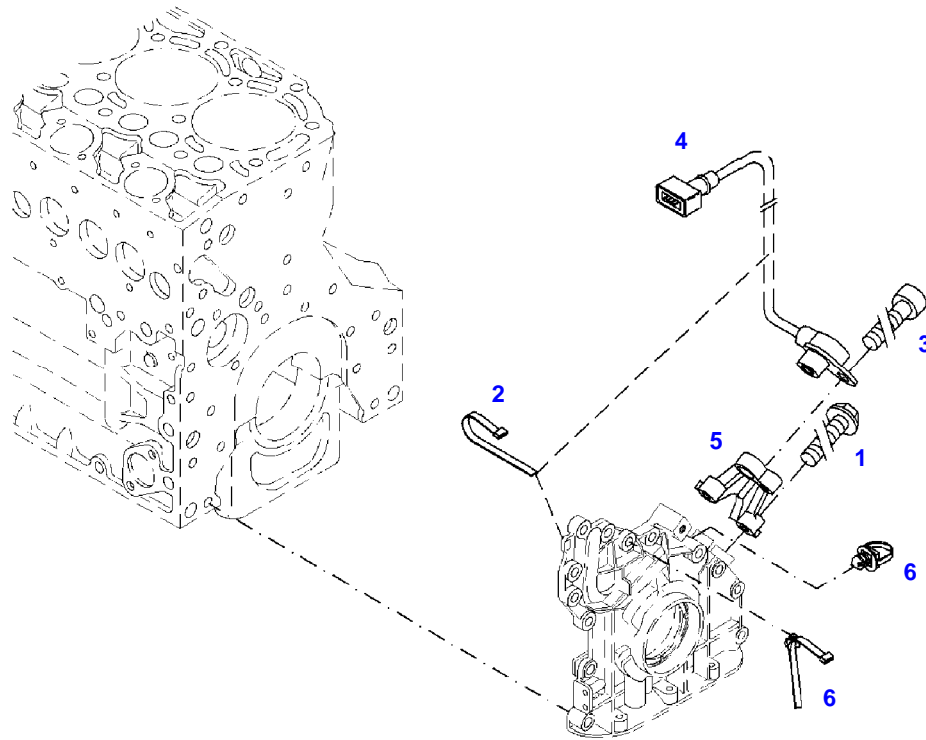
**Suggest:**

**For more complete manuals. Please go to the home page.**

**<https://www.ebooklibonline.com>**

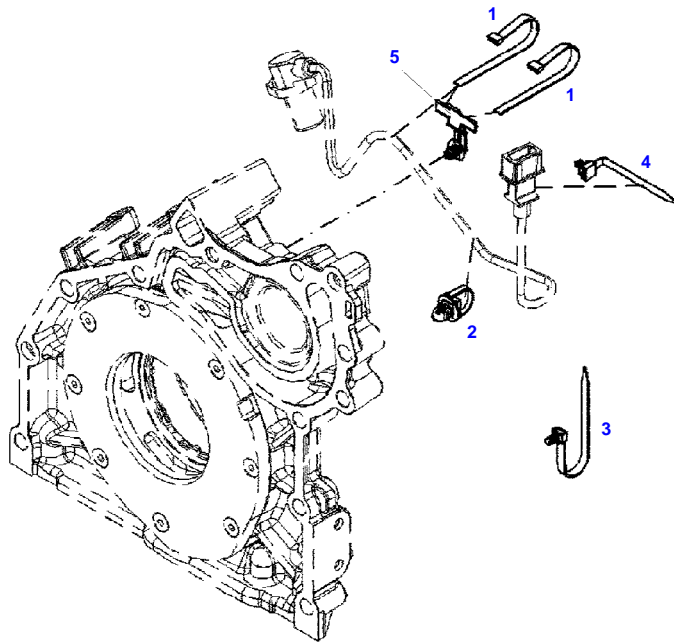
**If the above button click is invalid. Please download this document first, and then click the above link to download the complete manual.**

**Thank you so much for reading**



041001

Item	Part Number	Qty	Description Comments	Technical Specification
			<b>ENGINE SPEED EDC</b>	
1	72436834	2	HEXAGONAL HEAD BOLT M6X30	
2	72416001	3	RETAINING STRAP	
3	72315460	1	SOCKET HEAD BOLT	DIN 912 M6X16-8.8
4	72436872	1	TRANSMITTER ENGINE SPEED EDC	
5	72494073	1	RETAINER	
6	72455561	2	RETAINING STRAP	



050763

**<https://www.ebooklibonline.com>**

Hello dear friend!

Thank you very much for reading.

Enter the link into your browser.

The full manual is available for immediate download.

**<https://www.ebooklibonline.com>**