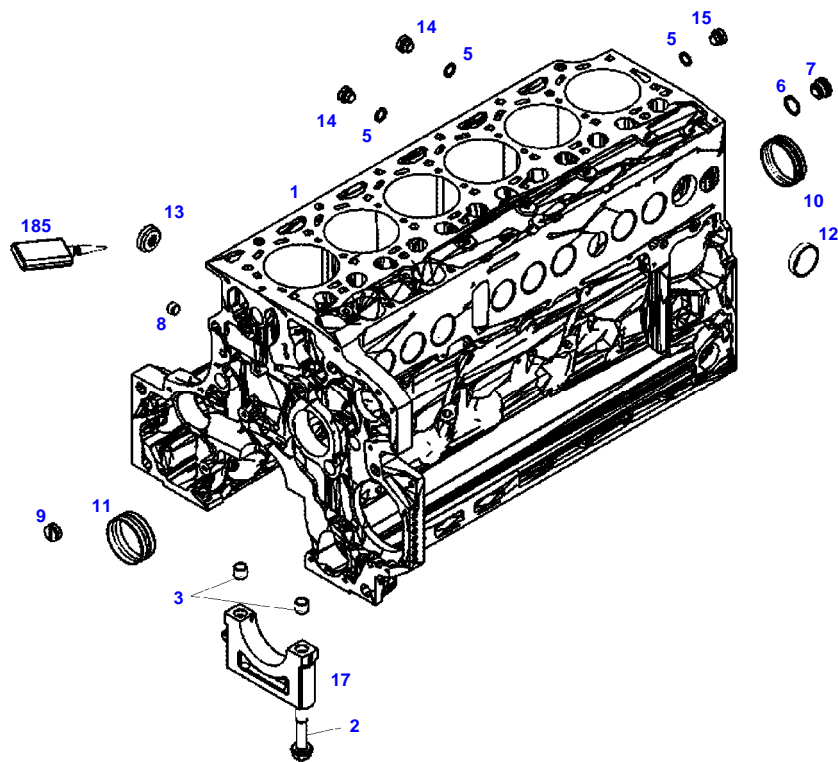


TABLE OF CONTENT

Page Number	Page Title	Page Reference
01-000-TOC	ENGINE, FUEL AND EXHAUST SYSTEM	01-000-TOC
02-000-TOC	AXLES	02-000-TOC
03-000-TOC	STEERING SYSTEM	03-000-TOC
04-000-TOC	DRIVE TRAIN SYSTEM	04-000-TOC
05-000-TOC	COMPRESSED AIR SYSTEM	05-000-TOC
06-000-TOC	HYDRAULIC SYSTEM	06-000-TOC
07-000-TOC	ELECTRICAL SYSTEM	07-000-TOC
08-000-TOC	CAB	08-000-TOC
09-000-TOC	AIR CONDITIONING AND HEATING SYSTEM	09-000-TOC
10-000-TOC	CHASSIS	10-000-TOC
11-000-TOC	WHEELS	11-000-TOC
12-000-TOC	IMPLEMENT LIFT SYSTEM FRONT	12-000-TOC
13-000-TOC	IMPLEMENT LIFT SYSTEM REAR	13-000-TOC
14-000-TOC	LINKAGE	14-000-TOC
15-000-TOC	FRONT/REAR LOADERS	15-000-TOC
16-000-TOC	PRECISION FARMING SYSTEMS	16-000-TOC
17-000-TOC	ACCESSORIES	17-000-TOC



051160

Item	Part Number	Qty	Description Comments	Technical Specification
			ENGINE <-- 11903824 --> 11922234	
	E741200011102	1	ENGINE	TCD6.1L6
1	F743200210150	1	CRANKCASE	
2	F716201210030	14	HEXAGONAL HEAD BOLT	
3	F395200210040	14	ADAPTER BUSH	
5	F731200060160	4	SEALING WASHER	DIN7603-14X18-CU-VERZ
6	F731200210190	1	SEALING WASHER	
7	F731200210150	1	PLUG SCREW	
8	F717200210040	1	SCREW	M14X1,5
9	F001200210030	1	LOCKING PLUG	
10	ACP0152940	6	FEMALE BEARING	
11	ACP0152930	1	FEMALE BEARING	
12	F119200210070	9	CORE HOLE PLUG	
13	F119200210080	6	CORE HOLE PLUG	
14	X494203800000	3	PLUG	DIN 7604 AM14X1,5-A3L
15	X483800800000	1	PLUG SCREW	DIN 908 M14X1,5-ST
17				
			NOT AVAILABLE IN SINGLE PARTS	
185	X903050084000	1	THREADLOCKER	LOCTITE 243 10ML

<https://www.ebooklibonline.com>

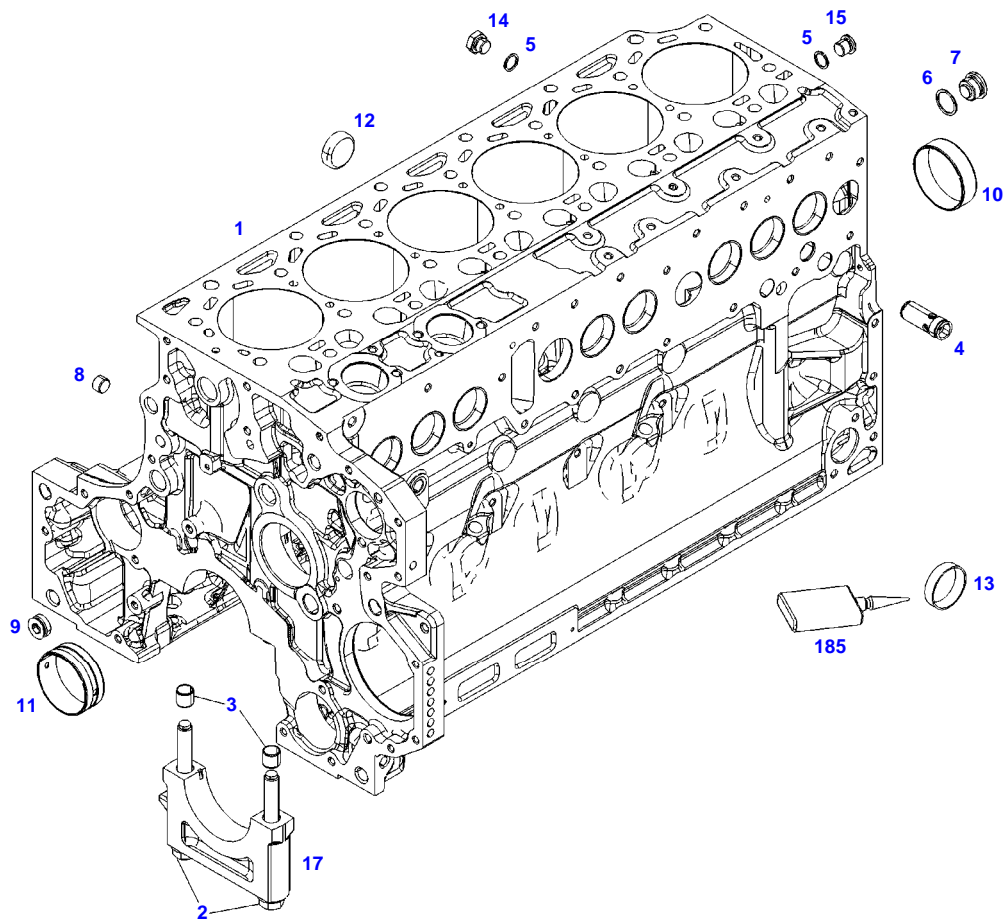
Hello dear friend!

Thank you very much for reading.

Enter the link into your browser.

The full manual is available for immediate download.

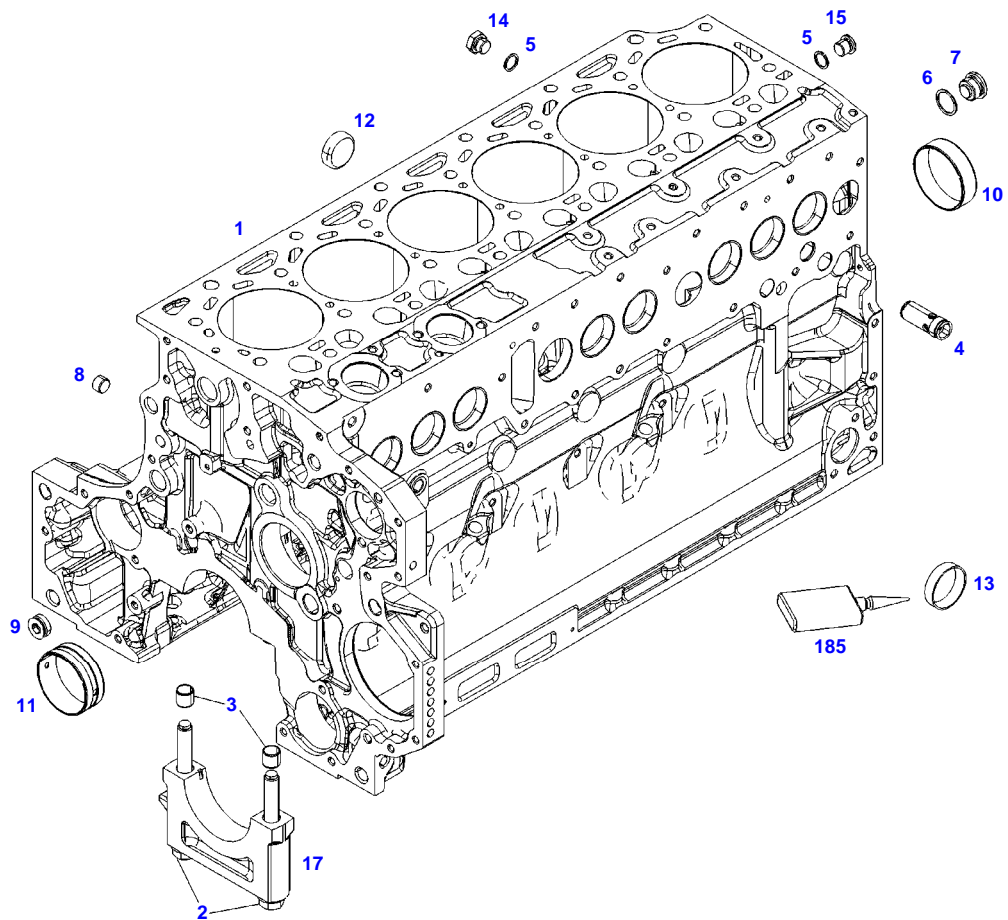
<https://www.ebooklibonline.com>



F061603



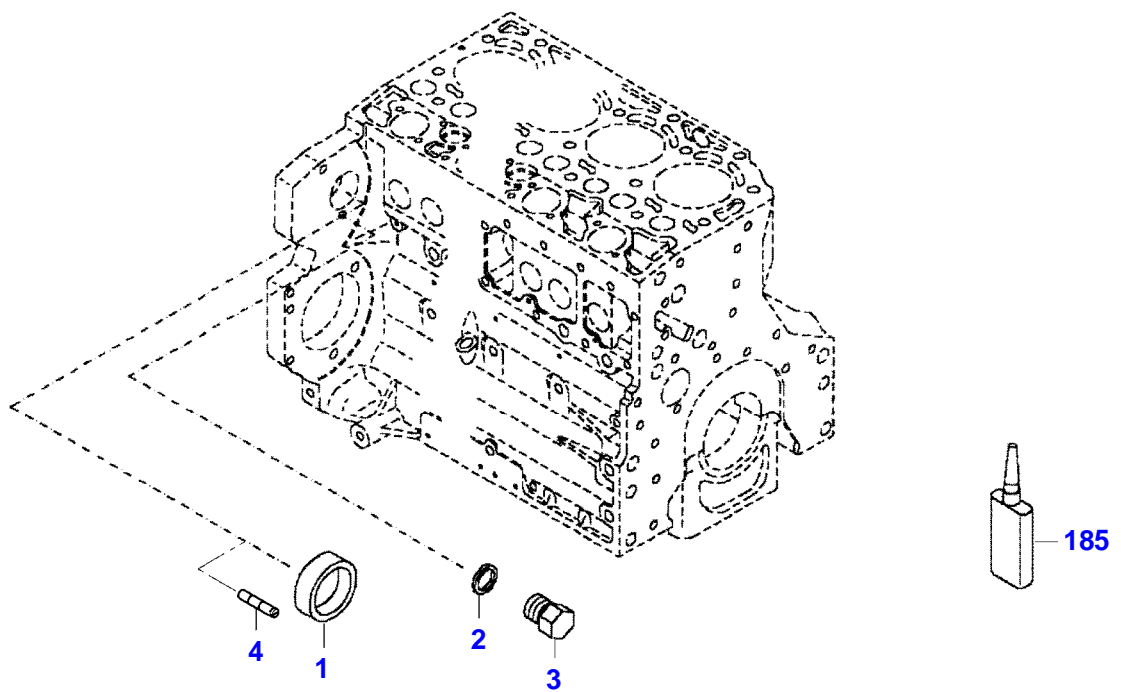
Item	Part Number	Qty	Description Comments	Technical Specification
			ENGINE <-- 11922235 --> 12299950	
1	F743200210170	1	CRANKCASE	
2	F716201210030	14	HEXAGONAL HEAD BOLT	
3	F395200210040	14	ADAPTER BUSH	
4	F743200210190	1	DISCHARGE VALVE	
5	F731200060160	3	SEALING WASHER	DIN7603-14X18-CU-VERZ
6	F731200210190	1	SEALING WASHER	
7	F731200210150	1	PLUG SCREW	
8	F717200210040	1	SCREW	M14X1,5
9	F001200210030	1	LOCKING PLUG	
10	ACP0152940	6	FEMALE BEARING	
11	ACP0152930	1	FEMALE BEARING	
12	F119200210070	9	CORE HOLE PLUG	
13	F119200210080	6	CORE HOLE PLUG	
14	X494203800000	3	PLUG	DIN 7604 AM14X1,5-A3L
15	X483800800000	1	PLUG SCREW	DIN 908 M14X1,5-ST
17				
			NOT AVAILABLE IN SINGLE PARTS	
185	F716201210220	1	SAFE.LOCK AGENT	



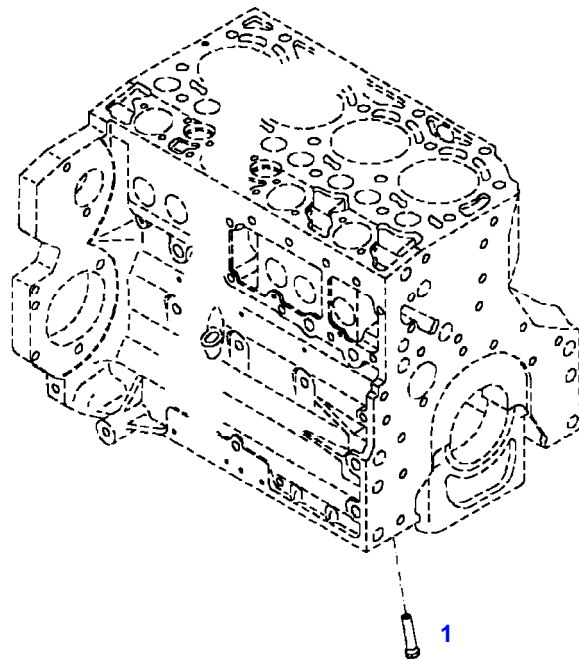
F061603



Item	Part Number	Qty	Description Comments	Technical Specification
			FROM ENGINE S/N 12299951	
1	F743200210170	1	CRANKCASE	
2	F716201210030	14	HEXAGONAL HEAD BOLT	
3	F395200210040	14	ADAPTER BUSH	
4	F743200210190	1	DISCHARGE VALVE	
5	F731200060160	3	SEALING WASHER	DIN7603-14X18-CU-VERZ
6	F731200210190	1	SEALING WASHER	
7	F731200210150	1	PLUG SCREW	
8	F717200210040	1	SCREW	M14X1,5
9	F001200210030	1	LOCKING PLUG	
10	ACP0152940	6	FEMALE BEARING	
11	ACP0152930	1	FEMALE BEARING	
12	F119200210070	9	CORE HOLE PLUG	
13	F119200210080	6	CORE HOLE PLUG	
14	X494203800000	3	PLUG	DIN 7604 AM14X1,5-A3L
15	X483800800000	1	PLUG SCREW	DIN 908 M14X1,5-ST
17			NOT AVAILABLE IN SINGLE PARTS	
185	F716201210220	1	SAFE.LOCK AGENT	



Item	Part Number	Qty	Description Comments	Technical Specification
BLANKING PARTS				
1	F416200210110	1	CORE HOLE PLUG UP TO ENGINE NUMBER 11981720	
	F842201210130	1	CAP COVER FROM ENGINE S/N 11981721	
2	X540002478000	2	SEALING WASHER	DIN 7603 A10X13,5-CU
3	F100001215567	2	PLUG	
4	F438200210170	2	THREADED PIN UP TO ENGINE S/N 12473740	
	F438200210390	2	PLUG SCREW STARTING FROM ENGINE SERIAL NUMBER 12473741	
185	F119200210850	1	SAFE.LOCK AGENT UP TO ENGINE NUMBER 11981720	
	F339202710350	1	INSTALLATION AIDS FROM ENGINE S/N 11981721	



7600E0

Fendt

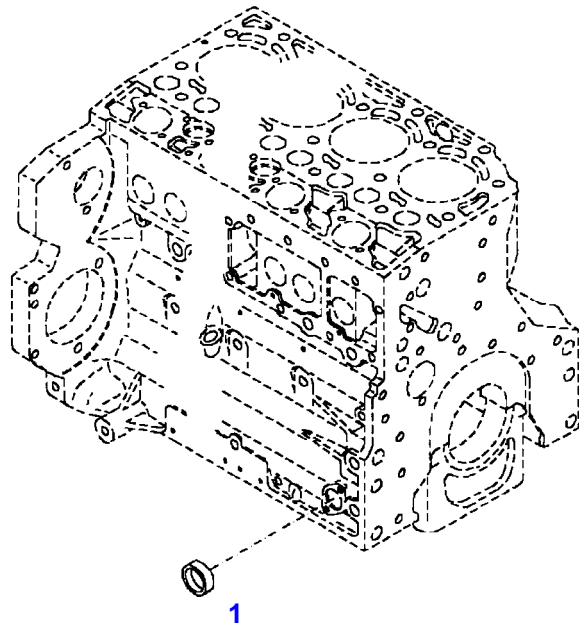
FENDT 720 S4 (NON SCR) (741/01001-06000) (WAM741XXX00F06001-99999)

F741003

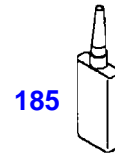
CRANKCASE

Page01-0008

Item	Part Number	Qty	Description Comments
			PISTON COOL.NOZZLE
1	F716201210070	6	PISTON COOLING JET

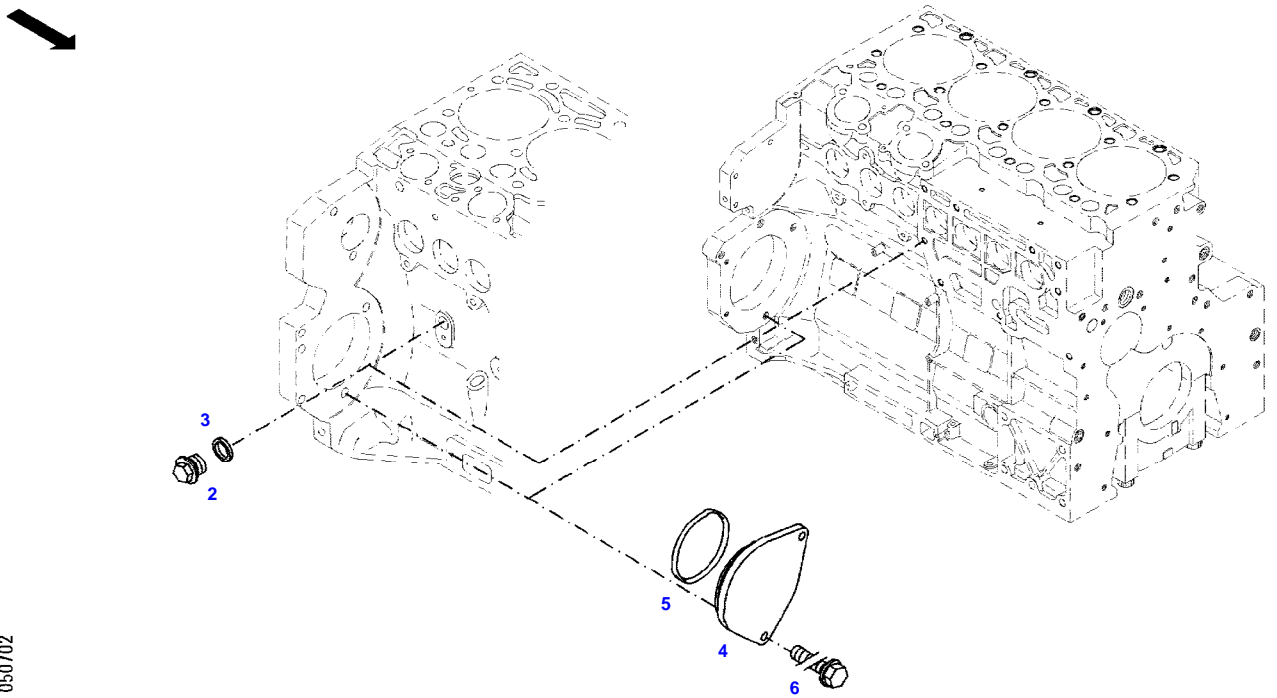


040194



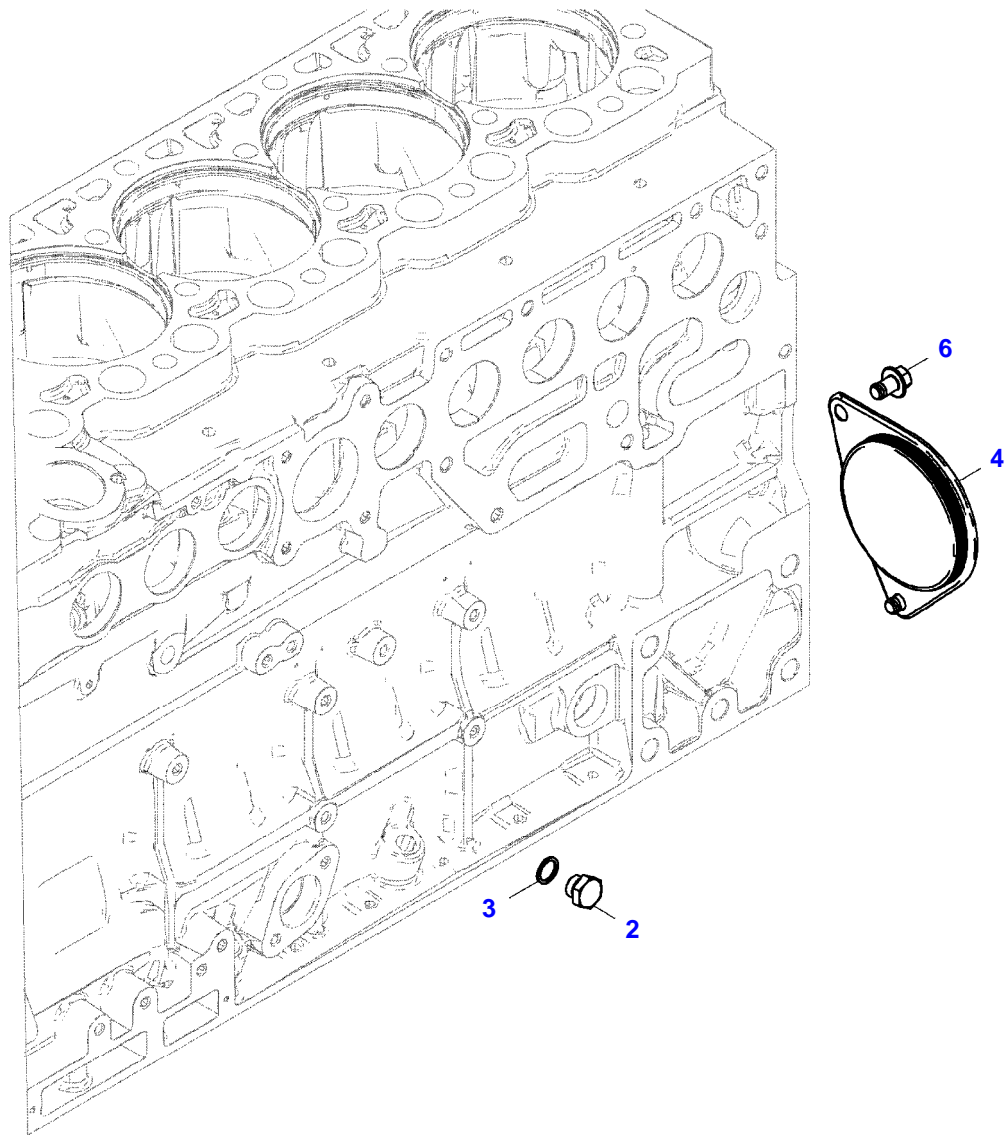
185

Item	Part Number	Qty	Description Comments
			LOCKING PLUG
1	F119200210080	1	CORE HOLE PLUG UP TO ENGINE NUMBER 11981720
	F842201210140	1	CAP COVER FROM ENGINE S/N 11981721
185	F119200210850	1	SAFE.LOCK AGENT UP TO ENGINE NUMBER 11981720 UP TO ENGINE NUMBER 11981720
	F339202710350	1	INSTALLATION AIDS FROM ENGINE S/N 11981721



050702

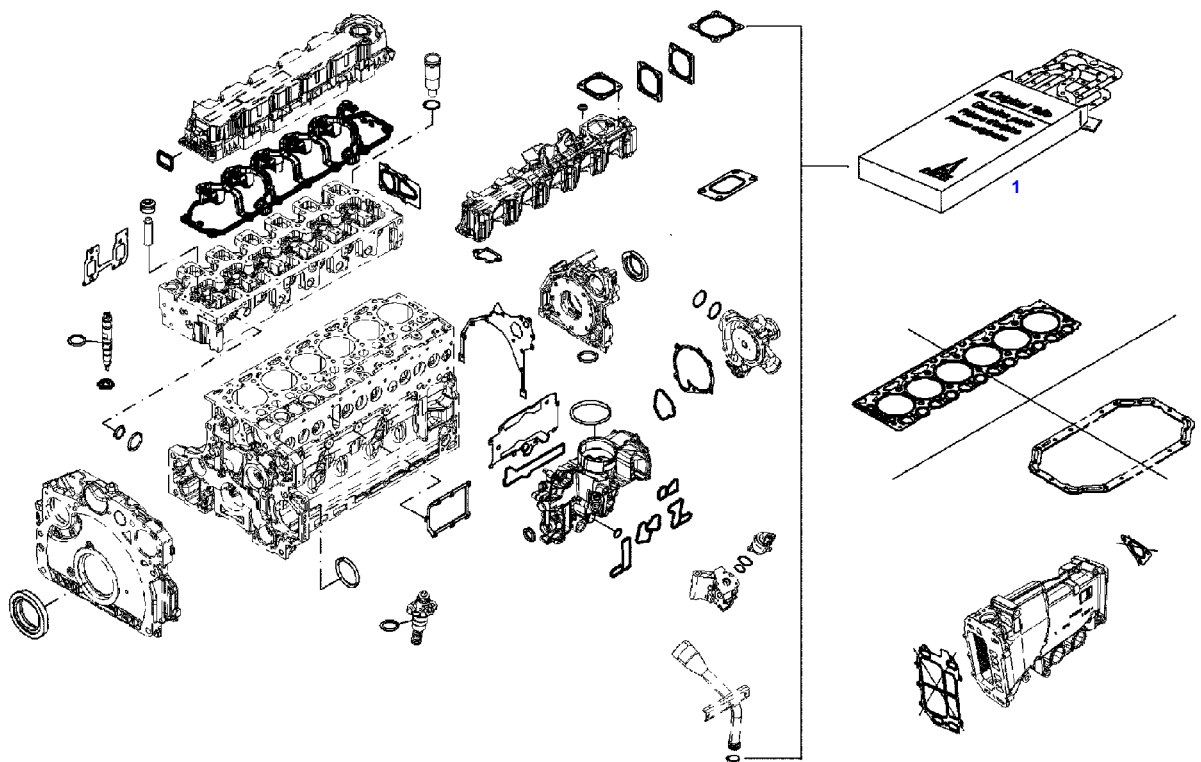
Item	Part Number	Qty	Description Comments	Technical Specification
BLANKING PARTS				
2	X494203800000	1	PLUG NOT NEEDED WITH AIR BRAKE	DIN 7604 AM14X1,5-A3L
3	F731200060160	1	SEALING WASHER NOT NEEDED WITH AIR BRAKE	DIN7603-14X18-CU-VERZ
4	F412201210020	1	COVER NOT NEEDED WITH AIR BRAKE	
5	F716201210090	1	SEAL 96X4MM NOT NEEDED WITH AIR BRAKE	
6	F339900040220	1	HEXAGONAL HEAD BOLT NOT NEEDED WITH AIR BRAKE UP TO 2017-08	M10X20
	F438200210220	1	HEXAGONAL HEAD BOLT NOT NEEDED WITH AIR BRAKE FROM 2017-09	M10X16



25548786-M-1

Item	Part Number	Qty	Description Comments	Technical Specification
			BLANKING PARTS FROM ENGINE S/N 12163344	
2	F954200210410	1	PLUG SCREW NOT NEEDED WITH AIR BRAKE	
3	F731200060160	1	SEALING WASHER NOT NEEDED WITH AIR BRAKE	DIN7603-14X18-CU-VERZ
4	F438200210380	1	COVER NOT NEEDED WITH AIR BRAKE	
6	F438200210220	2	HEXAGONAL HEAD BOLT	M10X16

051161



Fendt

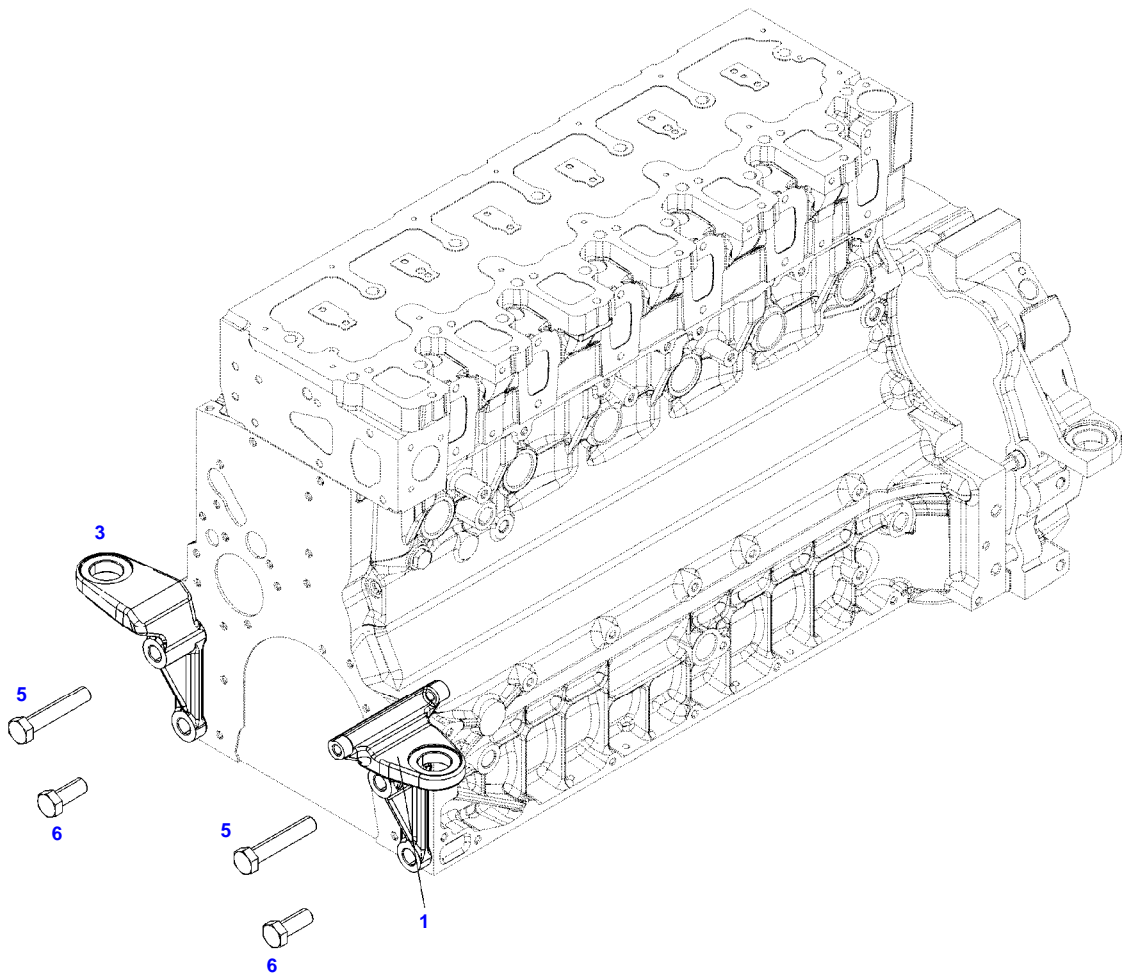
FENDT 720 S4 (NON SCR) (741/01001-06000) (WAM741XXX00F06001-99999)

F741003

SET OF GASKETS - MOTOR

Page01-0012

Item	Part Number	Qty	Description Comments
1	F743200210040	1	SEAL KIT WITHOUT CYLINDER HEAD GASKET



051220



Fendt

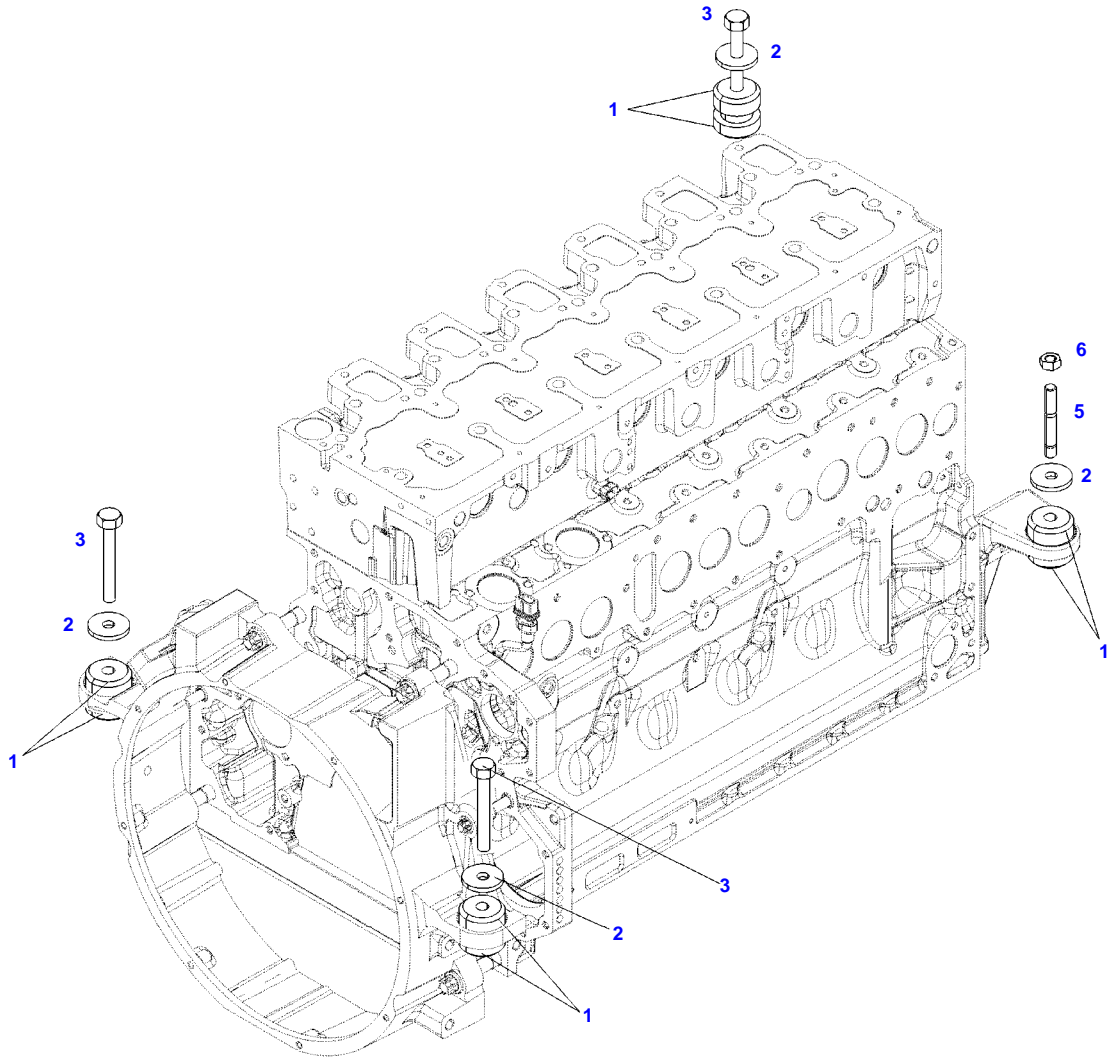
FENDT 720 S4 (NON SCR) (741/01001-06000) (WAM741XXX00F06001-99999)

F741003

ENGINE MOUNTINGS

Page01-0013

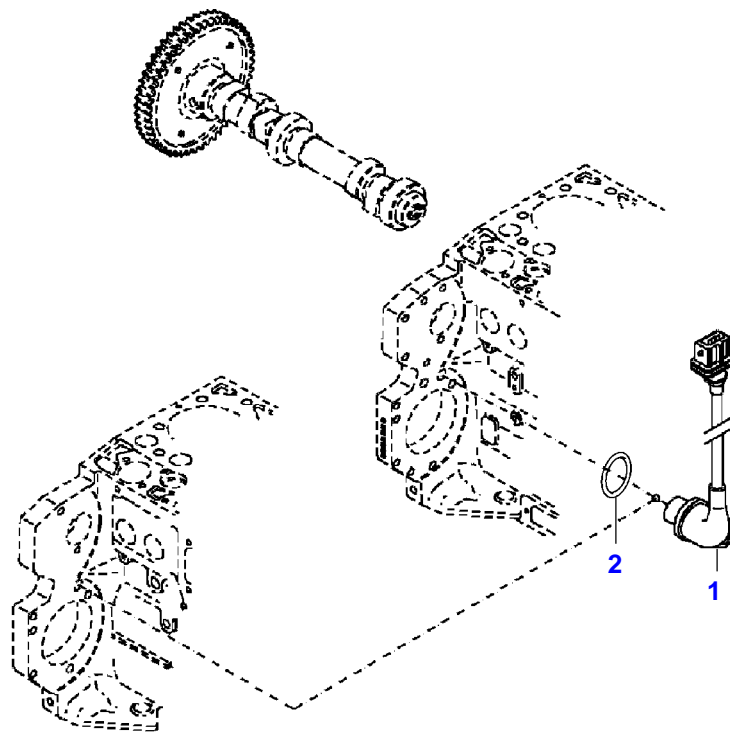
Item	Part Number	Qty	Description Comments	Technical Specification
1	416200010070	1	ENGINE SUSPENSION	LI
3	743200011011	1	ENGINE SUSPENSION	R
5	X486546406000	2	HEXAGONAL HEAD BOLT	DIN 931-M16X85 GWA-10.9
6	X487545200000	2	HEXAGONAL HEAD BOLT	DIN 933 M16X40 GWA-10.9



051219



Item	Part Number	Qty	Description Comments	Technical Specification
1	H716201010100	4	ENGINE MOUNT	
2	716200010010	4	DISC	
3	X486536641000	3	HEXAGONAL HEAD BOLT	DIN 931 M12X80-8.8A3L
5	X489136400000	1	SCREW	DIN 939 M12X70-8.8 A3L
6	X428203239000	1	NUT	DIN 934 M12-8A3L



431755-M-1

Fendt

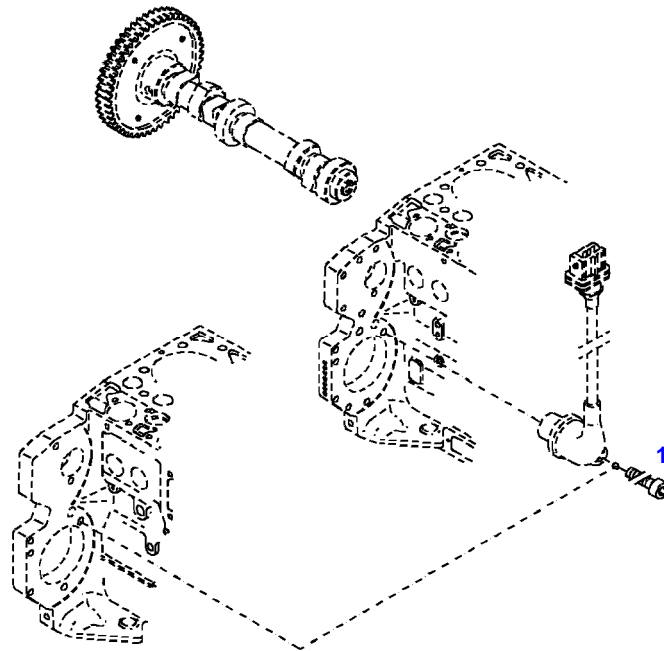
FENDT 720 S4 (NON SCR) (741/01001-06000) (WAM741XXX00F06001-99999)

F741003

TRANSMITTER

Page01-0015

Item	Part Number	Qty	Description Comments
			ENGINE SPEED EDC
1	F842200210010	1	TRANSMITTER
2	F842200210020	1	O-RING



035317

Fendt

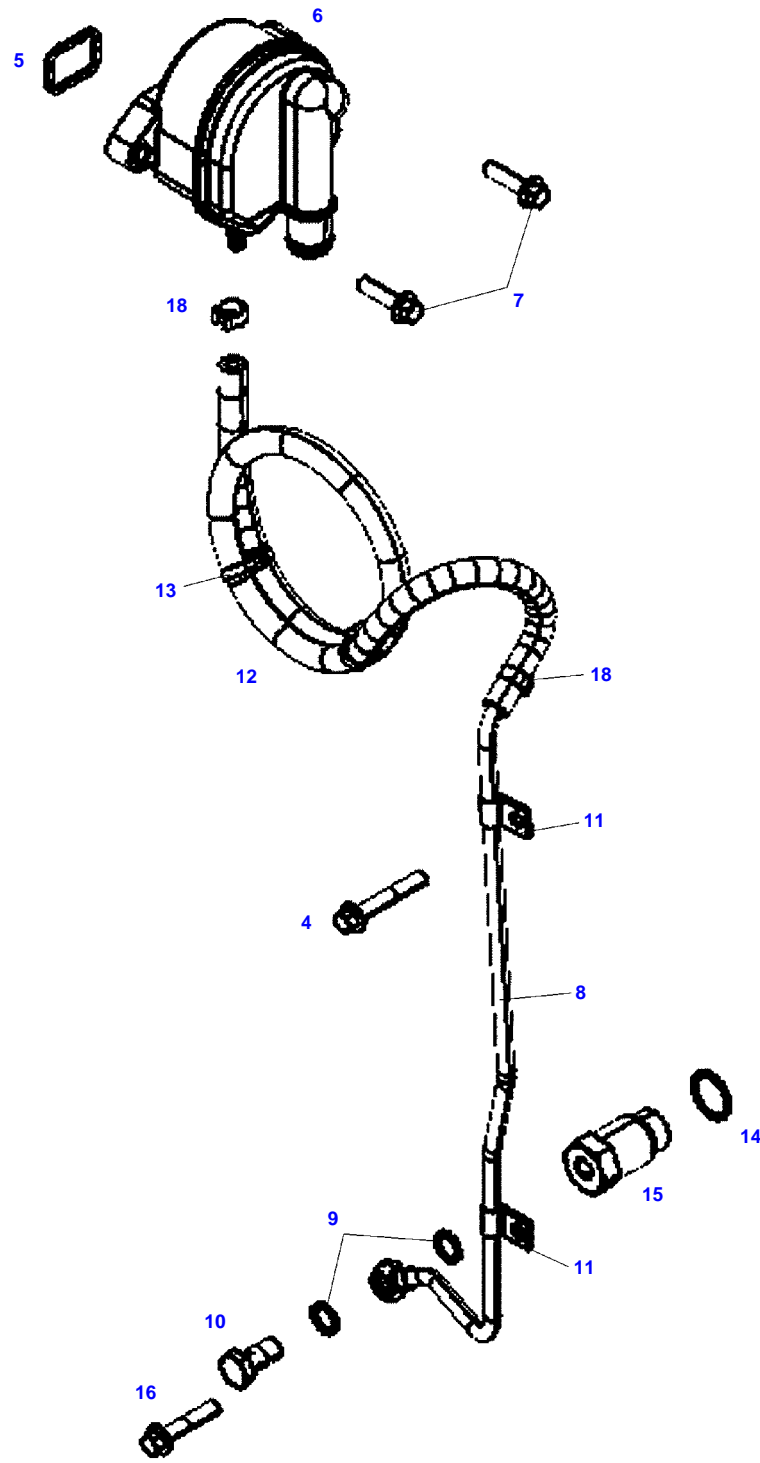
FENDT 720 S4 (NON SCR) (741/01001-06000) (WAM741XXX00F06001-99999)

F741003

TRANSMITTER

Page01-0016

Item	Part Number	Qty	Description Comments	Technical Specification
			ENGINE SPEED FASTENINGS	
1	X485004405000	1	SOCKET HEAD BOLT	DIN 912 M6X16-8.8



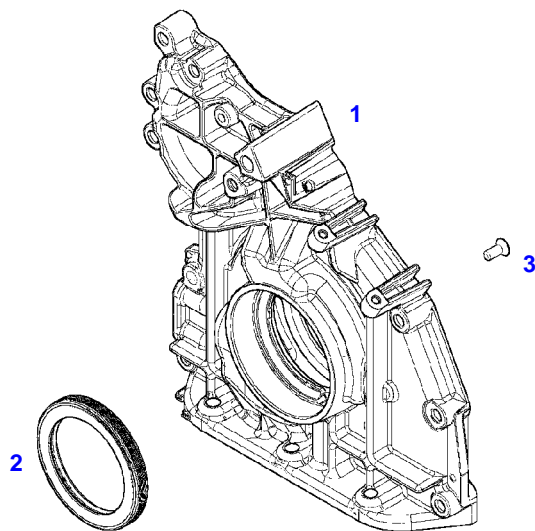
F060828



CRANKCASE BREATHER

Item	Part Number	Qty	Description Comments	Technical Specification
4	F119200510110	1	HEXAGONAL HEAD BOLT	
5	725200010251	1	SEAL	
6	F339202210280	1	BREATHER ><5	
7	F119200090080	2	HEXAGONAL HEAD BOLT M8X30	M8X30
8	F743200210050	1	OIL RETURN LINE ><9-13	
9	F731200210180	2	SEALING WASHER	
10	F100001119241	1	BANJO BOLT	
11	F716201210630	2	PIPE CLAMP	
12	F836200210050	1	RUBBER HOSE	
13	F149200090100	2	RETAINING STRAP	
14	F731200210190	1	SEALING WASHER	
15	F716201210610	1	LOCK VALVE	
16	F119200510150	1	HEXAGONAL HEAD BOLT M8X40	
18	F731200210200	2	HOSE CLIP	

Item	Part Number	Qty	Description Comments	Technical Specification
BREATHER TUBE				
1	743200011031	1	HOSE	
2	X458651300000	3	HOSE CLIP	
4	X668465900000	1	CLIP	SCHLAUCH POM
6	H725200010031	1	ADAPTER	
7	725200010251	1	SEAL	
8	743200011022	1	HOSE	
9	H725200010040	1	CONNECTING FLANGE	
10	H743200011041	1	BRACKET	
12	H743200011030	1	BRACKET	
15	X487528441000	1	HEXAGONAL HEAD BOLT	DIN 933 M8X45-8.8A3L
16	X487527741000	1	HEXAGONAL HEAD BOLT	DIN 933 M8 X 20-8.8A3L
17	X520803901000	8	SPLIT WASHER	FWN 65208-8-A3L
18	X487526841000	4	HEXAGONAL HEAD BOLT	DIN 933 M8 X 16-8.8A3L
20	X485007705000	2	SOCKET HEAD BOLT	DIN 912 M8X35-8.8



041199

Fendt

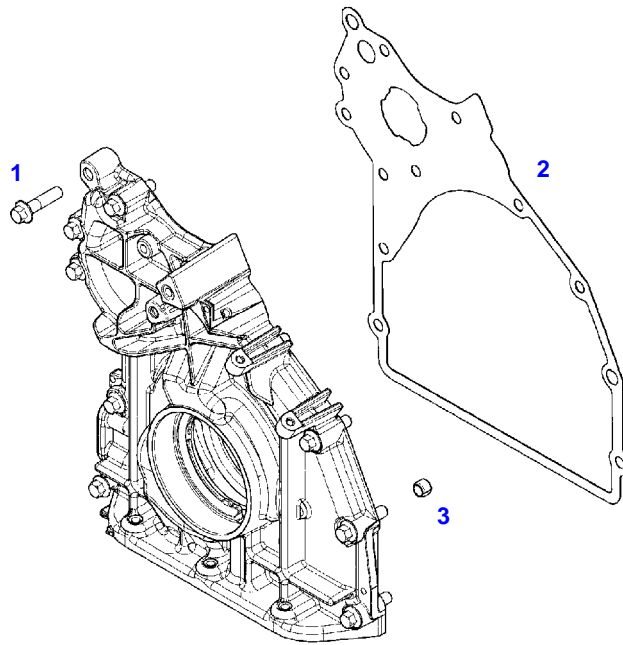
FENDT 720 S4 (NON SCR) (741/01001-06000) (WAM741XXX00F06001-99999)

F741003

FRONT COVER

Page01-0019

Item	Part Number	Qty	Description Comments
			INTEGRATED OIL PUMP
1	F836200210540	1	CRANKCASE END COVER INTEGRATED OIL PUMP ><2,3
2	F836200210080	1	SHAFT SEAL
3	F411201210080	8	COUNTERSUNK CAPSCREW M6X16



041243

Fendt

FENDT 720 S4 (NON SCR) (741/01001-06000) (WAM741XXX00F06001-99999)

F741003

FRONT COVER

Page01-0020

Item	Part Number	Qty	Description Comments	Technical Specification
FASTENINGS				
1	F416200210030	12	HEXAGONAL HEAD BOLT M8X35	M8X35
2	F836200210300	1	SEAL	
3	F119200210340	1	TENSIONER BUSH	



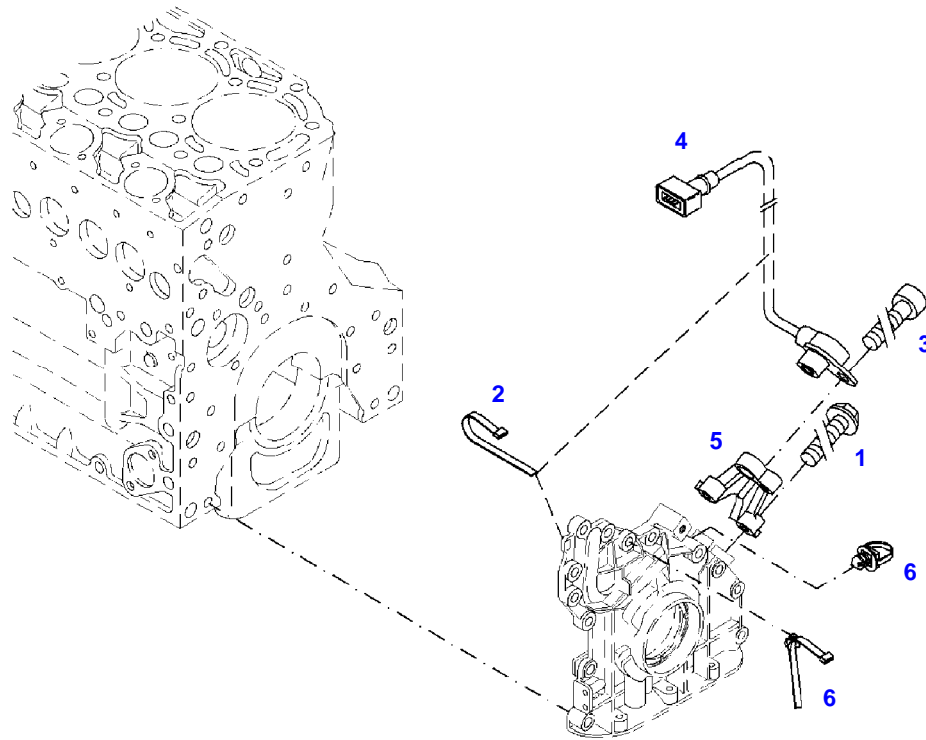
Suggest:

For more complete manuals. Please go to the home page.

<https://www.ebooklibonline.com>

If the above button click is invalid. Please download this document first, and then click the above link to download the complete manual.

Thank you so much for reading



041001

Item	Part Number	Qty	Description Comments	Technical Specification
			ENGINE SPEED EDC	
1	F339202210170	2	HEXAGONAL HEAD BOLT M6X30	
2	F149200090100	3	RETAINING STRAP	
3	X485004405000	1	SOCKET HEAD BOLT	DIN 912 M6X16-8.8
4	F339202210180	1	TRANSMITTER ENGINE SPEED EDC	
5	F731200210250	1	RETAINER	
6	F731200210170	2	RETAINING STRAP	

<https://www.ebooklibonline.com>

Hello dear friend!

Thank you very much for reading.

Enter the link into your browser.

The full manual is available for immediate download.

<https://www.ebooklibonline.com>