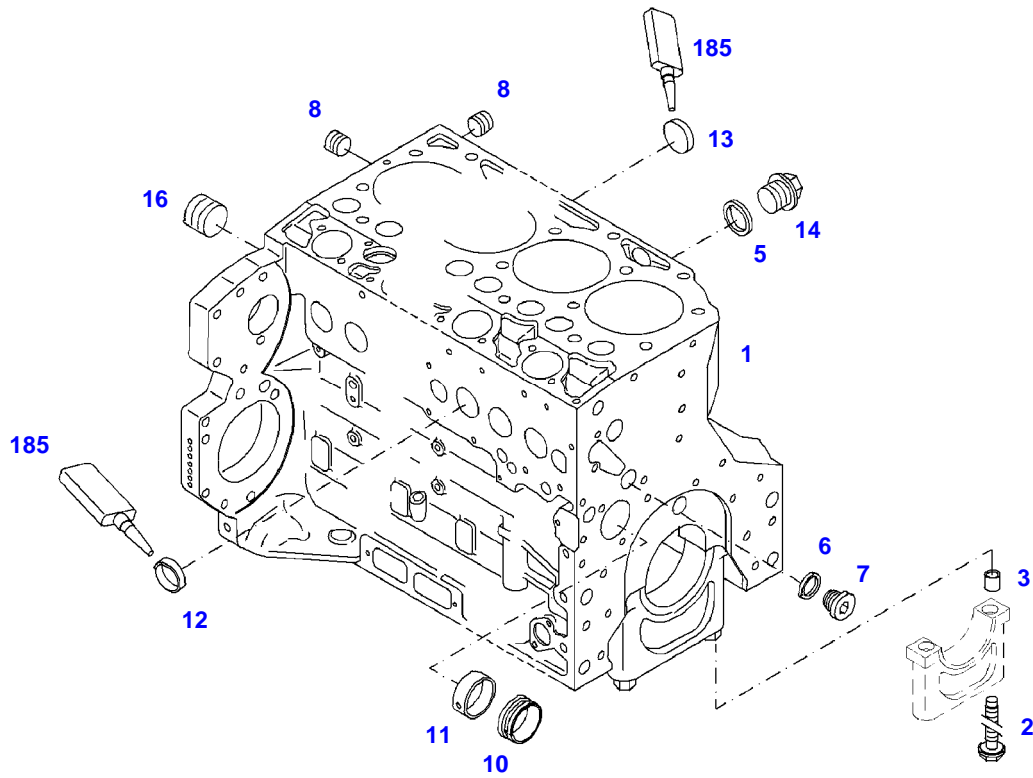


| <b>Page Number</b> | <b>Page Title</b>                   | <b>Page Reference</b> |
|--------------------|-------------------------------------|-----------------------|
| 01-000-TOC         | ENGINE, FUEL AND EXHAUST SYSTEM     | 01-000-TOC            |
| 02-000-TOC         | AXLES                               | 02-000-TOC            |
| 03-000-TOC         | STEERING SYSTEM                     | 03-000-TOC            |
| 04-000-TOC         | DRIVE TRAIN SYSTEM                  | 04-000-TOC            |
| 05-000-TOC         | COMPRESSED AIR SYSTEM               | 05-000-TOC            |
| 06-000-TOC         | HYDRAULIC SYSTEM                    | 06-000-TOC            |
| 07-000-TOC         | ELECTRICAL SYSTEM                   | 07-000-TOC            |
| 08-000-TOC         | CAB                                 | 08-000-TOC            |
| 09-000-TOC         | AIR CONDITIONING AND HEATING SYSTEM | 09-000-TOC            |
| 10-000-TOC         | CHASSIS                             | 10-000-TOC            |
| 11-000-TOC         | WHEELS                              | 11-000-TOC            |
| 12-000-TOC         | IMPLEMENT LIFT SYSTEM FRONT         | 12-000-TOC            |
| 13-000-TOC         | IMPLEMENT LIFT SYSTEM REAR          | 13-000-TOC            |
| 14-000-TOC         | FRONT/REAR LOADERS                  | 14-000-TOC            |
| 15-000-TOC         | ACCESSORIES                         | 15-000-TOC            |

FENDT 718NA (727/00101-99999)  
41000



041000

| Item | Part Number | Qty | Description<br>Comments  | Technical Specification  |
|------|-------------|-----|--|--------------------------|
|      |             |     | <-- 727/1001 --> 727/3955  |                          |
|      | 72437877    | 1   | ENGINE<br>PLEASE ORDER WITH<br>ENGINE NO. ONLY !<br><-- 727/1001 --> 727/1341<br><-- Z727.200.010.010<br>ENGINE EXCHANGE | TCD2012L064V             |
|      | 72604556    | 1   | REMANUFACTURED SHORT BLOCK ENGINE<br><-- 727/1001 --> 727/1341   |                          |
|      | 72455376    | 1   | ENGINE<br>PLEASE ORDER WITH<br>ENGINE NO. ONLY !<br><-- 727/1342   | TCD2012L064V             |
|      | 72604556    | 1   | REMANUFACTURED SHORT BLOCK ENGINE<br><-- 727/1342  |                          |
| 1    | 72618972    | 1   | CRANKCASE<br>><2-16  |                          |
| 2    | 72416467    | 14  | HEXAGONAL HEAD BOLT  |                          |
| 3    | 72344342    | 14  | ADAPTER BUSH   |                          |
| 5    | 72315095    | 2   | SEALING WASHER   | DIN 7603 A14X20-CU       |
| 6    |             |     | NOT USED<br>ENG.NO.<br>--> 10405431  |                          |
|      | 72455567    | 1   | SEALING WASHER<br>ENG.NO.<br><-- 10405432  | DIN 7603 D22X27-CU       |
| 7    | 72325321    | 1   | PLUG<br>M22X1,5<br>ENG.NO.<br>--> 10405431   |                          |
|      | 72455559    | 1   | PLUG SCREW<br>ENG.NO.<br><-- 10405432  |                          |
| 8    | 72429347    | 2   | SCREW<br>M14X1,5   | M14X1,5                  |
| 10   | 72416469    | 6   | BEARING BUSHING  |                          |
| 11   | 72416470    | 1   | BEARING BUSHING  |                          |
| 12   | 72325325    | 9   | CORE HOLE PLUG   |                          |
| 13   | 72325326    | 5   | CORE HOLE PLUG   |                          |
| 14   | 72315799    | 2   | PLUG   | DIN 7604<br>AM14X1,5-A3L |
| 16   | 72431135    | 1   | LOCKING PLUG   |                          |
| 185  | 72381391    | 1   | THREADLOCKER   | LOCTITE 243 10ML         |

**<https://www.ebooklibonline.com>**

Hello dear friend!

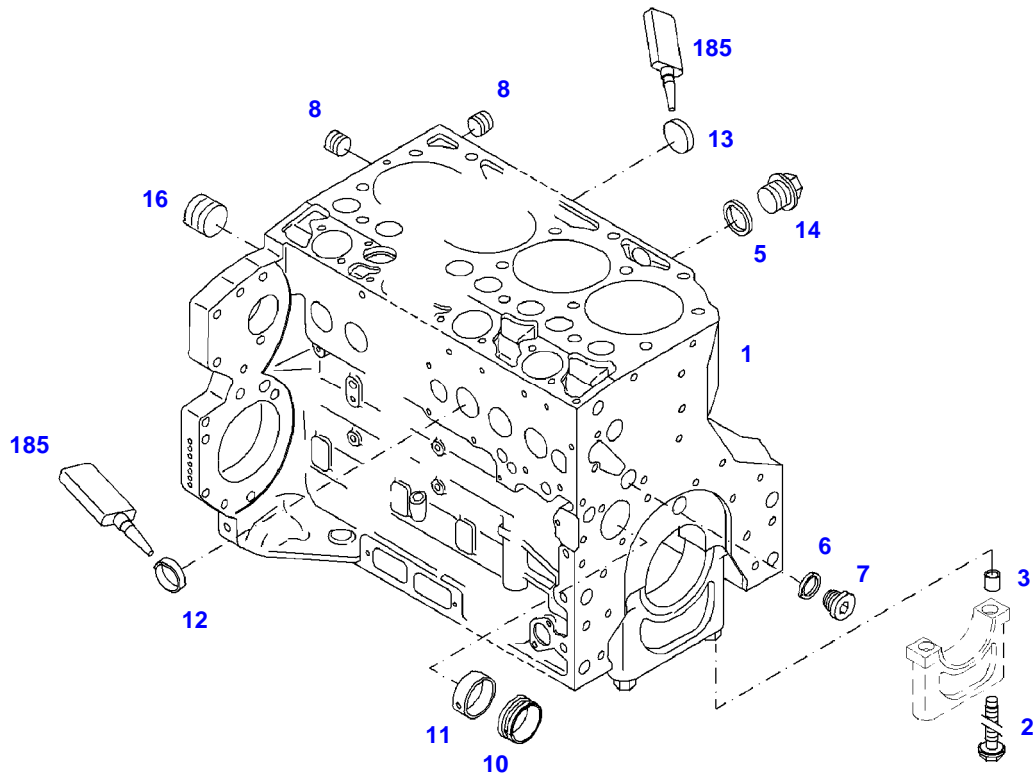
Thank you very much for reading.

Enter the link into your browser.

The full manual is available for immediate download.

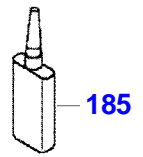
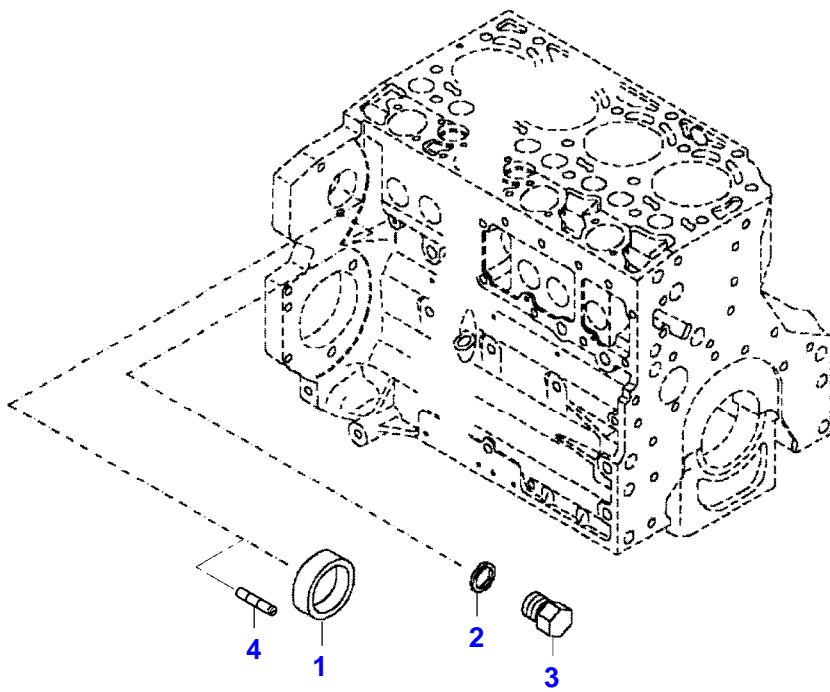
**<https://www.ebooklibonline.com>**

FENDT 718NA (727/00101-99999)  
41000



041000

| Item | Part Number | Qty | Description<br>Comments                         | Technical Specification |
|------|-------------|-----|---|-------------------------|
|      |             |     | <-- 727/3956                                    |                         |
|      | 72488407    | 1   | ENGINE<br>PLEASE ORDER WITH<br>ENGINE NO. ONLY! | TCD2012L064V            |
|      | 72604560    | 1   | REMANUFACTURED SHORT BLOCK ENGINE               |                         |
| 1    | 72495102    | 1   | CRANKCASE<br>><2-16                             |                         |
| 2    | 72416467    | 14  | HEXAGONAL HEAD BOLT                             |                         |
| 3    | 72344342    | 14  | ADAPTER BUSH                                    |                         |
| 5    | 72315095    | 2   | SEALING WASHER                                  | DIN 7603 A14X20-CU      |
| 6    | 72455567    | 1   | SEALING WASHER                                  | DIN 7603 D22X27-CU      |
| 7    | 72455559    | 1   | PLUG SCREW                                      |                         |
| 8    | 72429347    | 2   | SCREW<br>M14X1,5                                | M14X1,5                 |
| 10   | 72416469    | 6   | BEARING BUSHING                                 |                         |
| 11   | 72416470    | 1   | BEARING BUSHING                                 |                         |
| 12   | 72325325    | 9   | CORE HOLE PLUG                                  |                         |
| 13   | 72325326    | 5   | CORE HOLE PLUG                                  |                         |
| 14   | 72315799    | 2   | PLUG  | DIN 7604 AM14X1,5-A3L   |
| 16   | 72431135    | 1   | LOCKING PLUG                                    |                         |
| 185  | 72381391    | 1   | THREADLOCKER                                    | LOCTITE 243 10ML        |



432327-M-1

Fendt

FENDT 718NA (727/00101-99999)

F727105

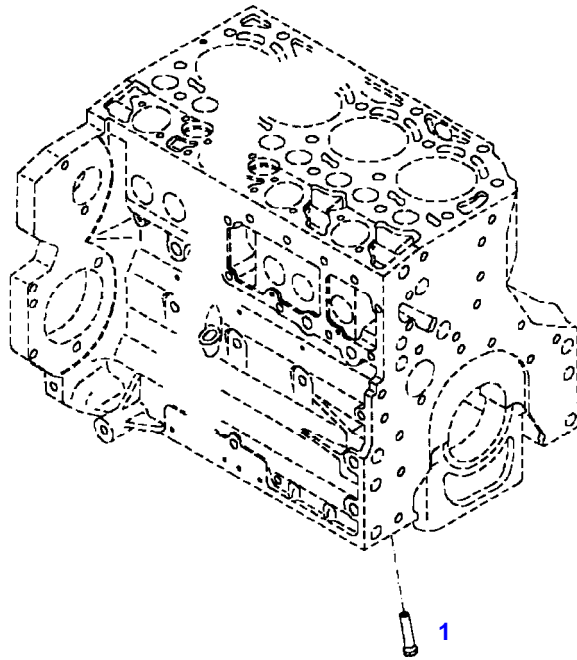
CRANKCASE

Page01-0003

| Item                  | Part Number | Qty | Description<br>Comments | Technical Specification |
|-----------------------|-------------|-----|-------------------------|-------------------------|
| <b>BLANKING PARTS</b> |             |     |                         |                         |
| 1                     | 72627515    | 1   | CORE HOLE PLUG          |                         |
| 2                     | 72315088    | 2   | SEALING WASHER          | DIN 7603 A10X13,5-CU    |
| 3                     | 72323677    | 2   | PLUG                    |                         |
| 4                     | 72631860    | 2   | SLUG                    |                         |
| 185                   | 72325403    | 1   | SAFE.LOCK AGENT         |                         |

FENDT 718NA (727/00101-99999)  
30094

---



7600E0

---

Fendt

FENDT 718NA (727/00101-99999)

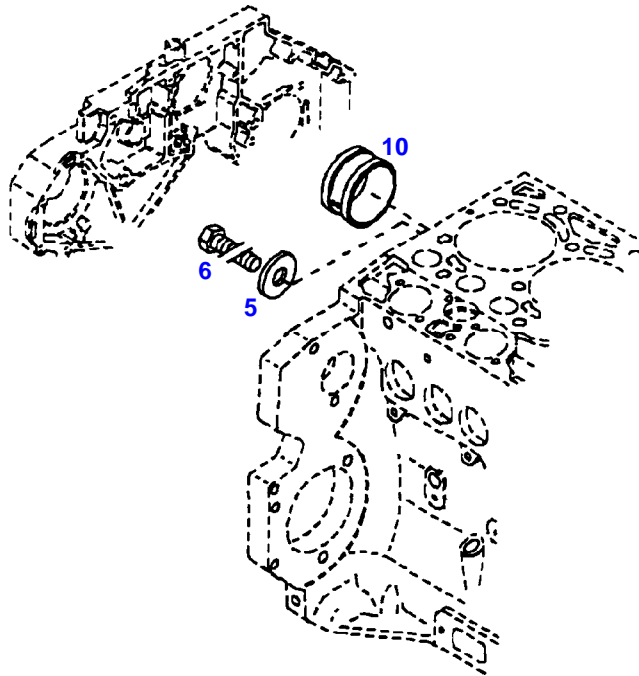
F727105

CRANKCASE

Page01-0004

---

| Item | Part Number | Qty | Description<br>Comments |
|------|-------------|-----|-------------------------|
|      |             |     | PISTON COOL.NOZZLE      |
| 1    | 72415140    | 6   | PISTON COOLING JET      |



12574

---

Fendt

FENDT 718NA (727/00101-99999)

F727105

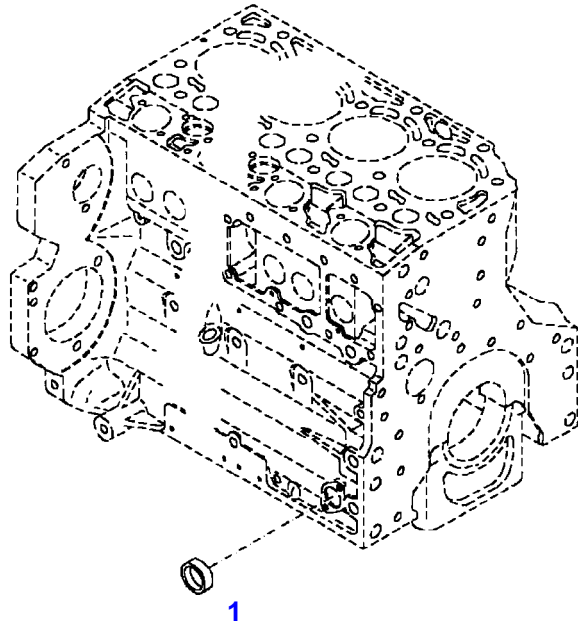
CRANKCASE

Page01-0005

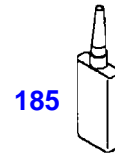
---

| Item                  | Part Number | Qty | Description<br>Comments |
|-----------------------|-------------|-----|-------------------------|
| <b>BLANKING PARTS</b> |             |     |                         |
| 5                     | 72415828    | 1   | DISC                    |
| 6                     | 72426697    | 1   | HEXAGONAL HEAD BOLT     |
| 10                    | 72426698    | 1   | BUSH                    |

FENDT 718NA (727/00101-99999)  
40194



040194



---

Fendt

FENDT 718NA (727/00101-99999)

F727105

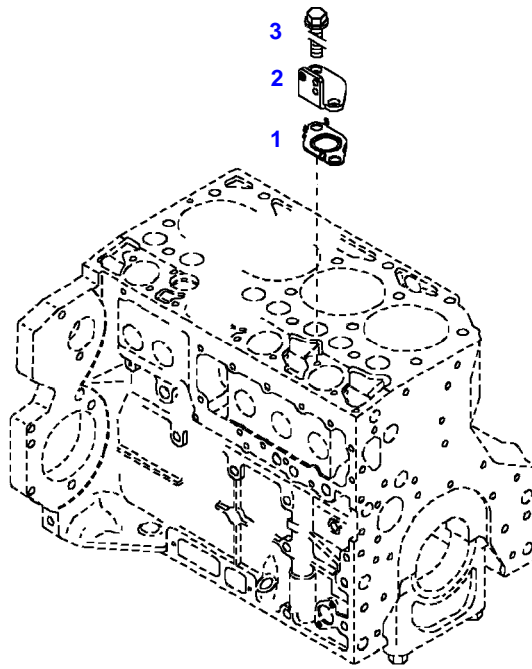
CRANKCASE

Page01-0006

| Item | Part Number | Qty | Description<br>Comments |
|------|-------------|-----|-------------------------|
|      |             |     | LOCKING PLUG            |
| 1    | 72325326    | 1   | CORE HOLE PLUG          |
| 185  | 72325403    | 1   | SAFE.LOCK AGENT         |

FENDT 718NA (727/00101-99999)  
35315

---



035315

---

Fendt

FENDT 718NA (727/00101-99999)

F727105

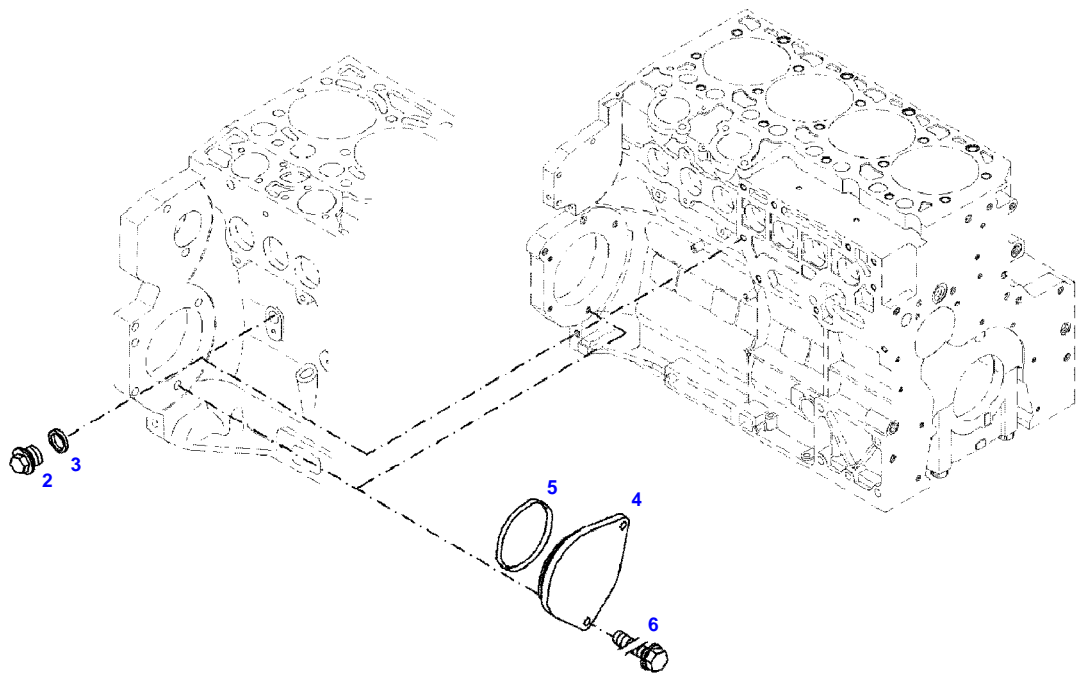
CRANKCASE

Page01-0007

---

| Item                  | Part Number | Qty | Description<br>Comments      |
|-----------------------|-------------|-----|------------------------------|
| <b>BLANKING PARTS</b> |             |     |                              |
| 1                     | 72490265    | 1   | SEAL                         |
| 2                     | 72436408    | 1   | COVER                        |
| 3                     | 72415878    | 2   | HEXAGONAL HEAD BOLT<br>M8X16 |

FENDT 718NA (727/00101-99999)  
F51577

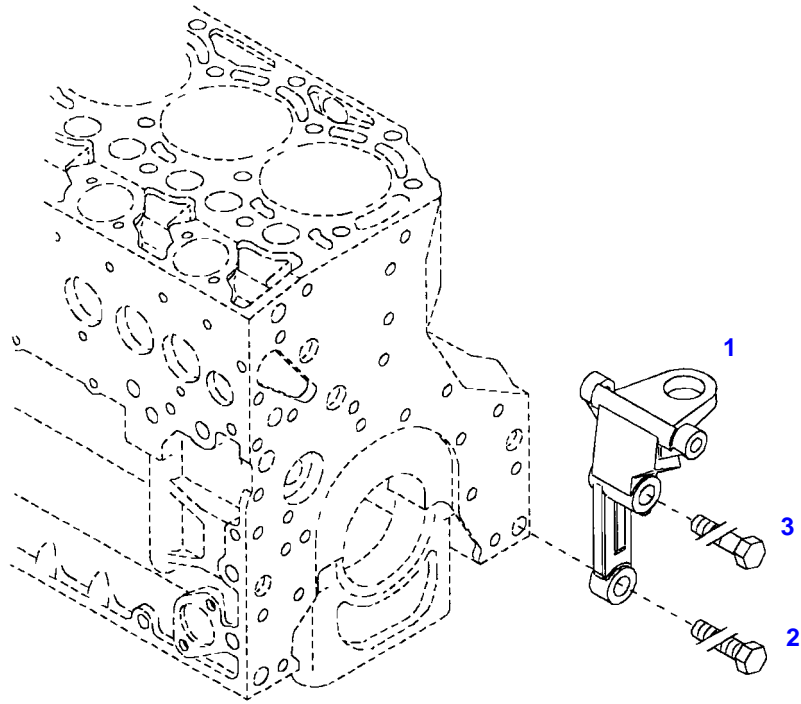


051577



| Item                  | Part Number | Qty | Description<br>Comments                          | Technical Specification |
|-----------------------|-------------|-----|--|-------------------------|
| <b>BLANKING PARTS</b> |             |     |  |                         |
| 2                     | 72315799    | 1   | PLUG<br>NOT NEEDED WITH AIR BRAKE                | DIN 7604 AM14X1,5-A3L   |
| 3                     | 72315094    | 1   | SEALING WASHER<br>NOT NEEDED WITH AIR BRAKE      | DIN 7603 A14X18-CU      |
| 4                     | 72431648    | 1   | COVER<br>NOT NEEDED WITH AIR BRAKE               |                         |
| 5                     | 72416472    | 1   | SEAL<br>96X4MM<br>NOT NEEDED WITH AIR BRAKE      |                         |
| 6                     | 72438057    | 2   | HEXAGONAL HEAD BOLT<br>NOT NEEDED WITH AIR BRAKE | M10X20                  |

FENDT 718NA (727/00101-99999)  
40029



040029



**Suggest:**

**For more complete manuals. Please go to the home page.**

**<https://www.ebooklibonline.com>**

**If the above button click is invalid. Please download this document first, and then click the above link to download the complete manual.**

**Thank you so much for reading**

---

Fendt

FENDT 718NA (727/00101-99999)

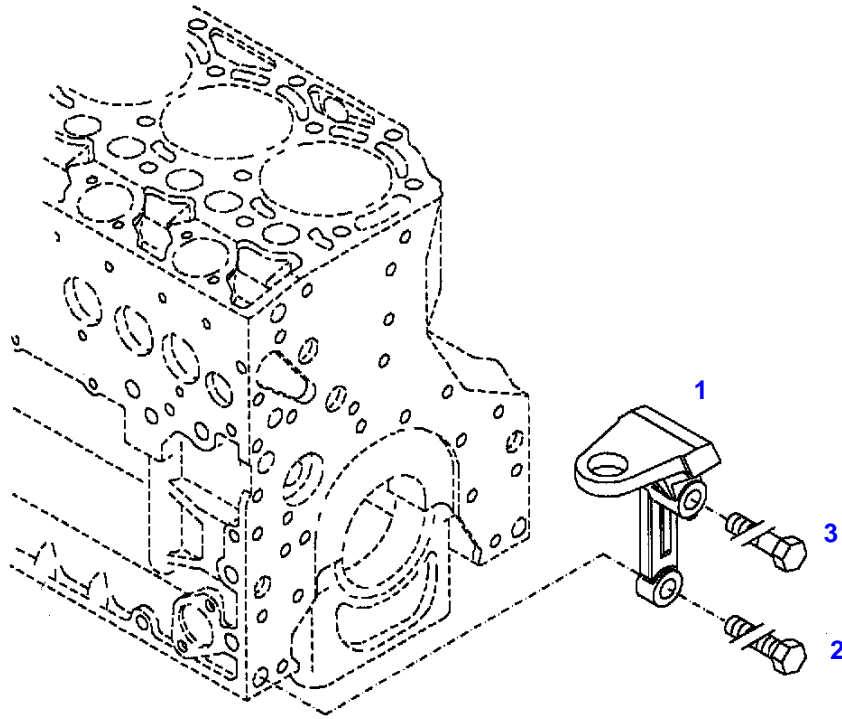
F727105

ENGINE MOUNTINGS

Page01-0009

| Item | Part Number | Qty | Description<br>Comments | Technical Specification |
|------|-------------|-----|-------------------------|-------------------------|
|      |             |     | LEFT                    |                         |
| 1    | 72428791    | 1   | ENGINE SUSPENSION       |                         |
| 2    | 72418408    | 1   | HEXAGONAL HEAD BOLT     | DIN 933 M16X40 GWA-10.9 |
| 3    | 72374294    | 1   | HEXAGONAL HEAD BOLT     | DIN 931-M16X85 GWA-10.9 |

FENDT 718NA (727/00101-99999)  
40030



040030

**<https://www.ebooklibonline.com>**

Hello dear friend!

Thank you very much for reading.

Enter the link into your browser.

The full manual is available for immediate download.

**<https://www.ebooklibonline.com>**