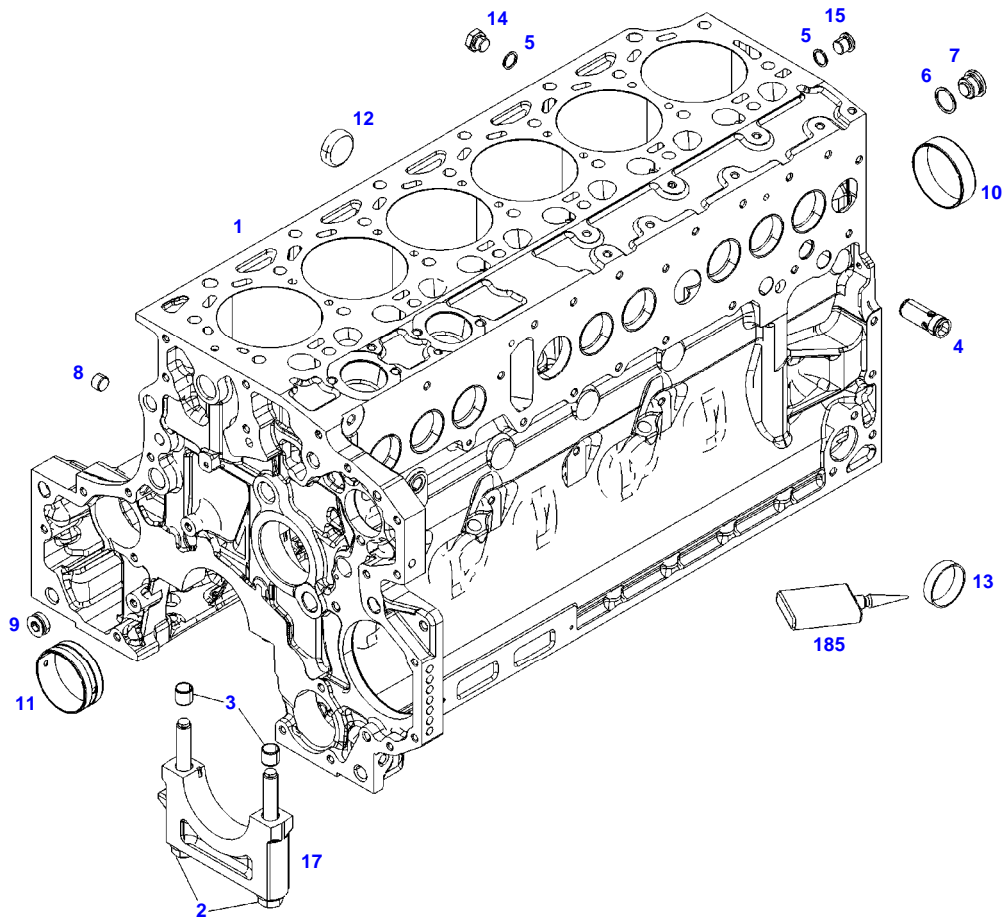


TABLE OF CONTENT

Page Number	Page Title	Page Reference
01-000-TOC	ENGINE, FUEL AND EXHAUST SYSTEM	01-000-TOC
02-000-TOC	AXLES	02-000-TOC
03-000-TOC	STEERING SYSTEM	03-000-TOC
04-000-TOC	DRIVE TRAIN SYSTEM	04-000-TOC
05-000-TOC	COMPRESSED AIR SYSTEM	05-000-TOC
06-000-TOC	HYDRAULIC SYSTEM	06-000-TOC
07-000-TOC	ELECTRICAL SYSTEM	07-000-TOC
08-000-TOC	CAB	08-000-TOC
09-000-TOC	AIR CONDITIONING AND HEATING SYSTEM	09-000-TOC
10-000-TOC	CHASSIS	10-000-TOC
11-000-TOC	WHEELS	11-000-TOC
12-000-TOC	IMPLEMENT LIFT SYSTEM FRONT	12-000-TOC
13-000-TOC	IMPLEMENT LIFT SYSTEM REAR	13-000-TOC
14-000-TOC	LINKAGE	14-000-TOC
15-000-TOC	FRONT/REAR LOADERS	15-000-TOC
16-000-TOC	PRECISION FARMING SYSTEMS	16-000-TOC
17-000-TOC	ACCESSORIES	17-000-TOC



F061603



Item	Part Number	Qty	Description Comments	Technical Specification
			ENGINE <-- 11922235 --> 12299950	
	72624625	1	ENGINE FROM - UP TO MACHINE S/N 739/101 - 739/6035	TCD6.1L6
	72627970	1	DIESEL ENGINE FROM MACHINE S/N 739/6036	F739 NA
1	72627713	1	CRANKCASE	
2	72416467	14	HEXAGONAL HEAD BOLT	
3	72344342	14	ADAPTER BUSH	
4	72628299	1	DISCHARGE VALVE	
5	72439867	3	SEALING WASHER	DIN7603-14X18-CU-VERZ
6	72439874	1	SEALING WASHER	
7	72455559	1	PLUG SCREW	
8	72429347	1	SCREW	M14X1,5
9	72431135	1	LOCKING PLUG	
10	ACP0152940	6	FEMALE BEARING	
11	ACP0152930	1	FEMALE BEARING	
12	72325325	9	CORE HOLE PLUG	
13	72325326	6	CORE HOLE PLUG	
14	72315799	3	PLUG	DIN 7604 AM14X1,5-A3L
15	72315438	1	PLUG SCREW	DIN 908 M14X1,5-ST
17			NOT AVAILABLE IN SINGLE PARTS	
185	72416485	1	SAFE.LOCK AGENT	

<https://www.ebooklibonline.com>

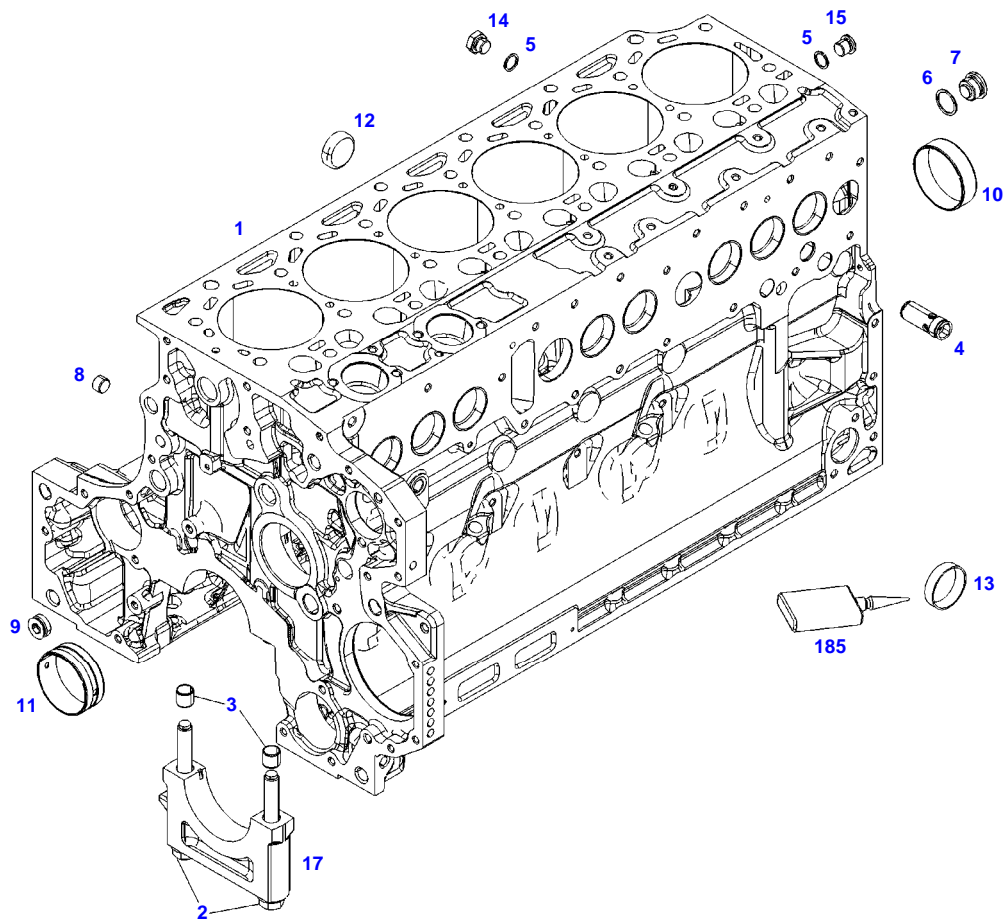
Hello dear friend!

Thank you very much for reading.

Enter the link into your browser.

The full manual is available for immediate download.

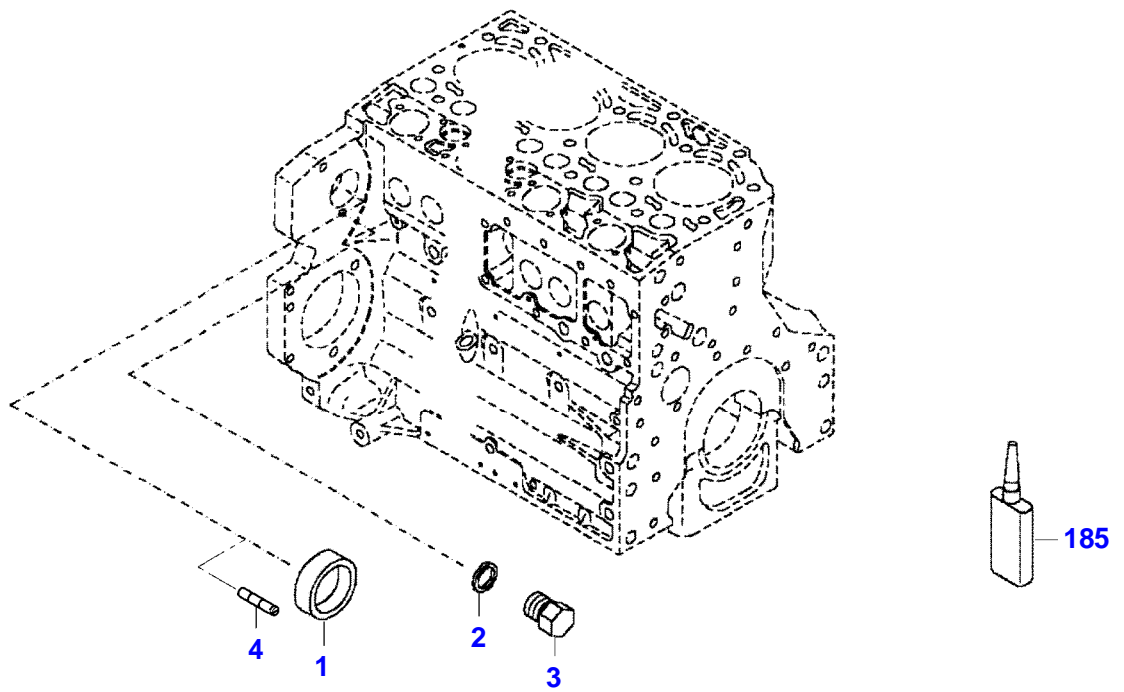
<https://www.ebooklibonline.com>



F061603

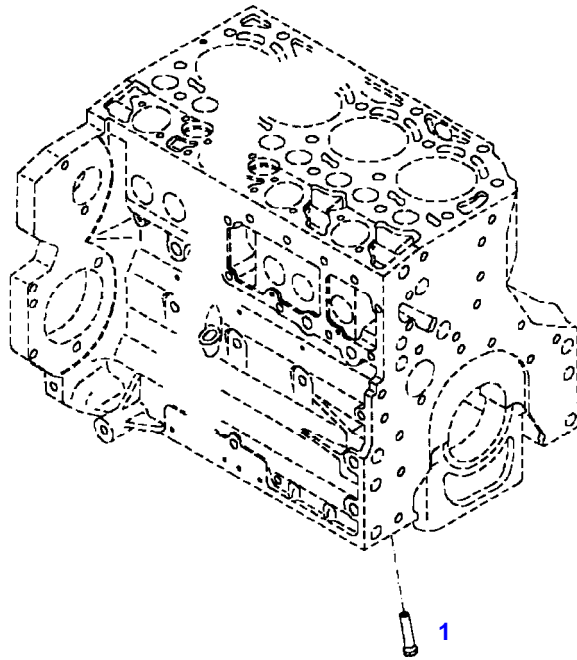


Item	Part Number	Qty	Description Comments	Technical Specification
			FROM ENGINE S/N 12299951	
	72624625	1	ENGINE FROM - UP TO MACHINE S/N 739/101 - 739/6035	TCD6.1L6
	72627970	1	DIESEL ENGINE FROM MACHINE S/N 739/6036	F739 NA
1	72627713	1	CRANKCASE	
2	72416467	14	HEXAGONAL HEAD BOLT	
3	72344342	14	ADAPTER BUSH	
4	72628299	1	DISCHARGE VALVE	
5	72439867	3	SEALING WASHER	DIN7603-14X18-CU-VERZ
6	72439874	1	SEALING WASHER	
7	72455559	1	PLUG SCREW	
8	72429347	1	SCREW	M14X1,5
9	72431135	1	LOCKING PLUG	
10	ACP0152940	6	FEMALE BEARING	
11	ACP0152930	1	FEMALE BEARING	
12	72325325	9	CORE HOLE PLUG	
13	72325326	6	CORE HOLE PLUG	
14	72315799	3	PLUG	DIN 7604 AM14X1,5-A3L
15	72315438	1	PLUG SCREW	DIN 908 M14X1,5-ST
17			NOT AVAILABLE IN SINGLE PARTS	
185	72416485	1	SAFE.LOCK AGENT	



432327-M-1

Item	Part Number	Qty	Description Comments	Technical Specification
BLANKING PARTS				
1	72627515	1	CORE HOLE PLUG UP TO ENGINE NUMBER 11981720	
	72628071	1	CAP COVER FROM ENGINE S/N 11981721	
2	72315088	2	SEALING WASHER	DIN 7603 A10X13,5-CU
3	72323677	2	PLUG	
4	72631860	2	THREADED PIN UP TO ENGINE S/N 12473740	
	72657969	2	PLUG SCREW STARTING FROM ENGINE SERIAL NUMBER 12473741	
185	72325403	1	SAFE.LOCK AGENT UP TO ENGINE NUMBER 11981720	
	72493900	1	INSTALLATION AIDS FROM ENGINE S/N 11981721	



7600E0

Fendt

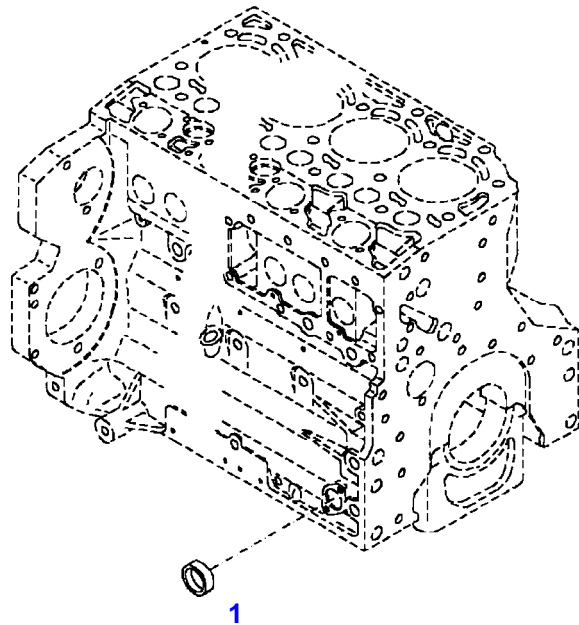
FENDT 716NA S4 (739/00101-06000) (WAM739XXX00F06001-99999)

F739105

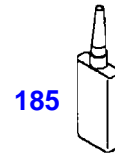
CRANKCASE

Page01-0008

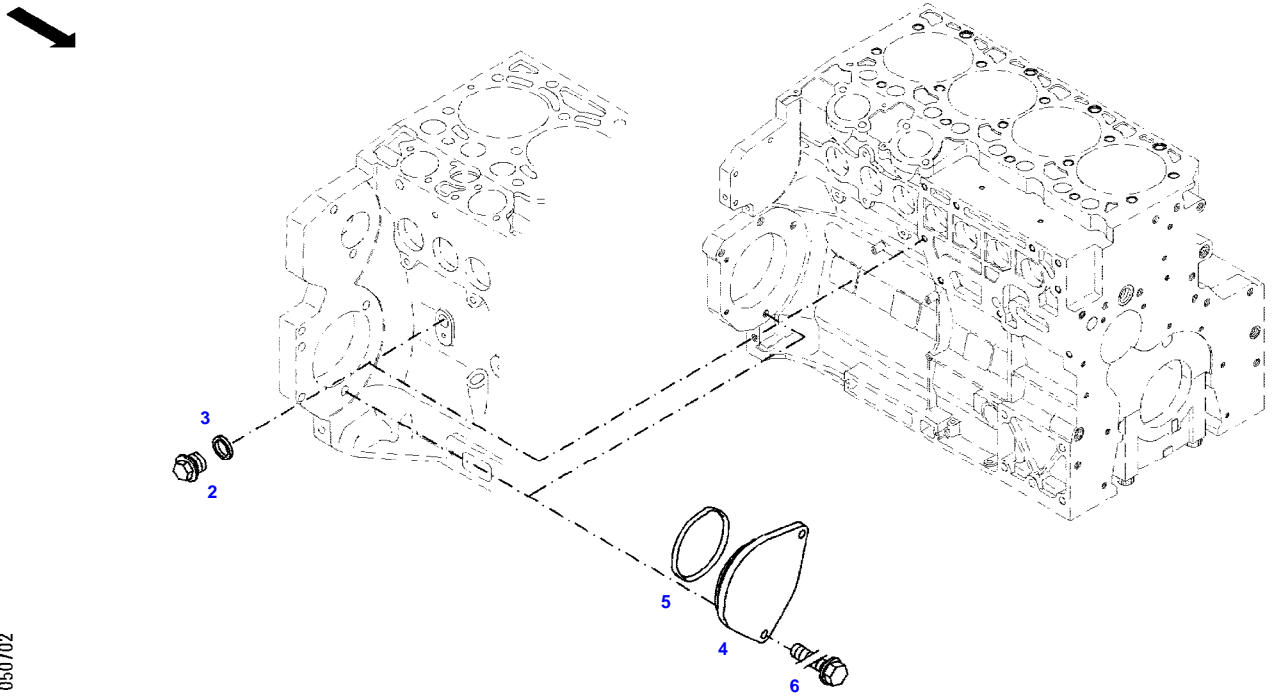
Item	Part Number	Qty	Description Comments
			PISTON COOL.NOZZLE
1	72415140	6	PISTON COOLING JET



040194

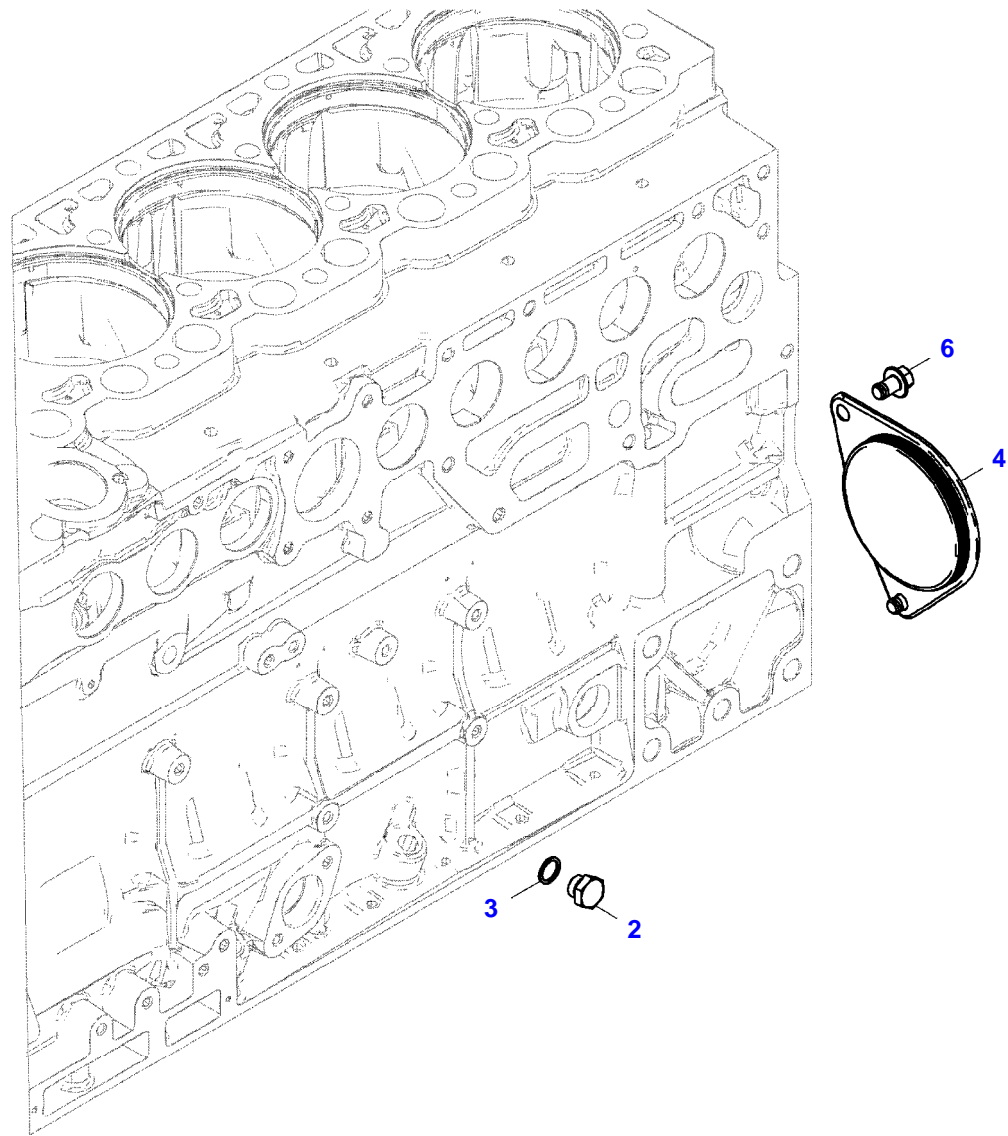


Item	Part Number	Qty	Description Comments
			LOCKING PLUG
1	72325326	1	CORE HOLE PLUG UP TO ENGINE NUMBER 11981720
	72628072	1	CAP COVER FROM ENGINE S/N 11981721
185	72325403	1	SAFE.LOCK AGENT UP TO ENGINE NUMBER 11981720
	72493900	1	INSTALLATION AIDS FROM ENGINE S/N 11981721



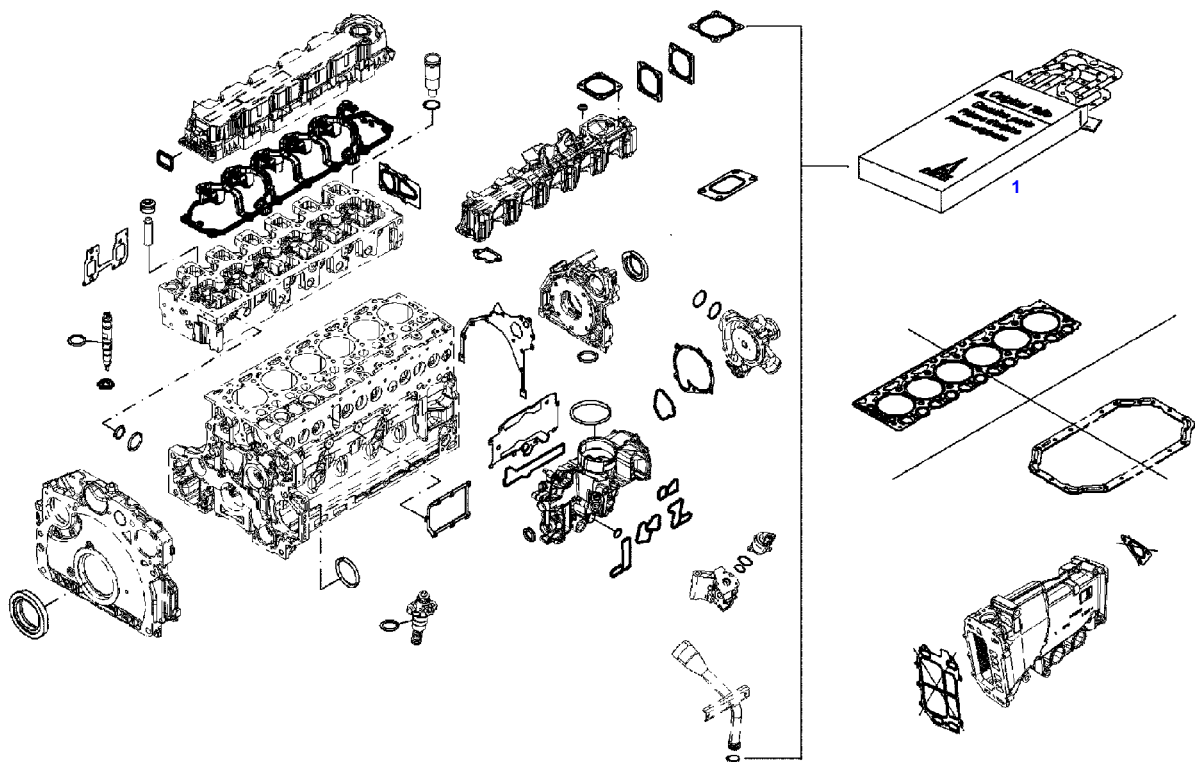
050702

Item	Part Number	Qty	Description Comments	Technical Specification
BLANKING PARTS				
2	72315799	1	PLUG NOT NEEDED WITH AIR BRAKE	DIN 7604 AM14X1,5-A3L
3	72439867	1	SEALING WASHER NOT NEEDED WITH AIR BRAKE	DIN7603-14X18-CU-VERZ
4	72431648	1	COVER NOT NEEDED WITH AIR BRAKE	
5	72416472	1	SEAL 96X4MM NOT NEEDED WITH AIR BRAKE	
6	72438057	1	HEXAGONAL HEAD BOLT NOT NEEDED WITH AIR BRAKE UP TO 2017-08	M10X20
	72657640	1	HEXAGONAL HEAD BOLT NOT NEEDED WITH AIR BRAKE FROM 2017-09	M10X16



25548786-M-1

Item	Part Number	Qty	Description Comments	Technical Specification
			BLANKING PARTS FROM ENGINE S/N 12163344	
2	72631866	1	PLUG SCREW NOT NEEDED WITH AIR BRAKE	
3	72439867	1	SEALING WASHER NOT NEEDED WITH AIR BRAKE	DIN7603-14X18-CU-VERZ
4	72657732	1	COVER NOT NEEDED WITH AIR BRAKE	
6	72657640	2	HEXAGONAL HEAD BOLT	M10X16



051161

Fendt

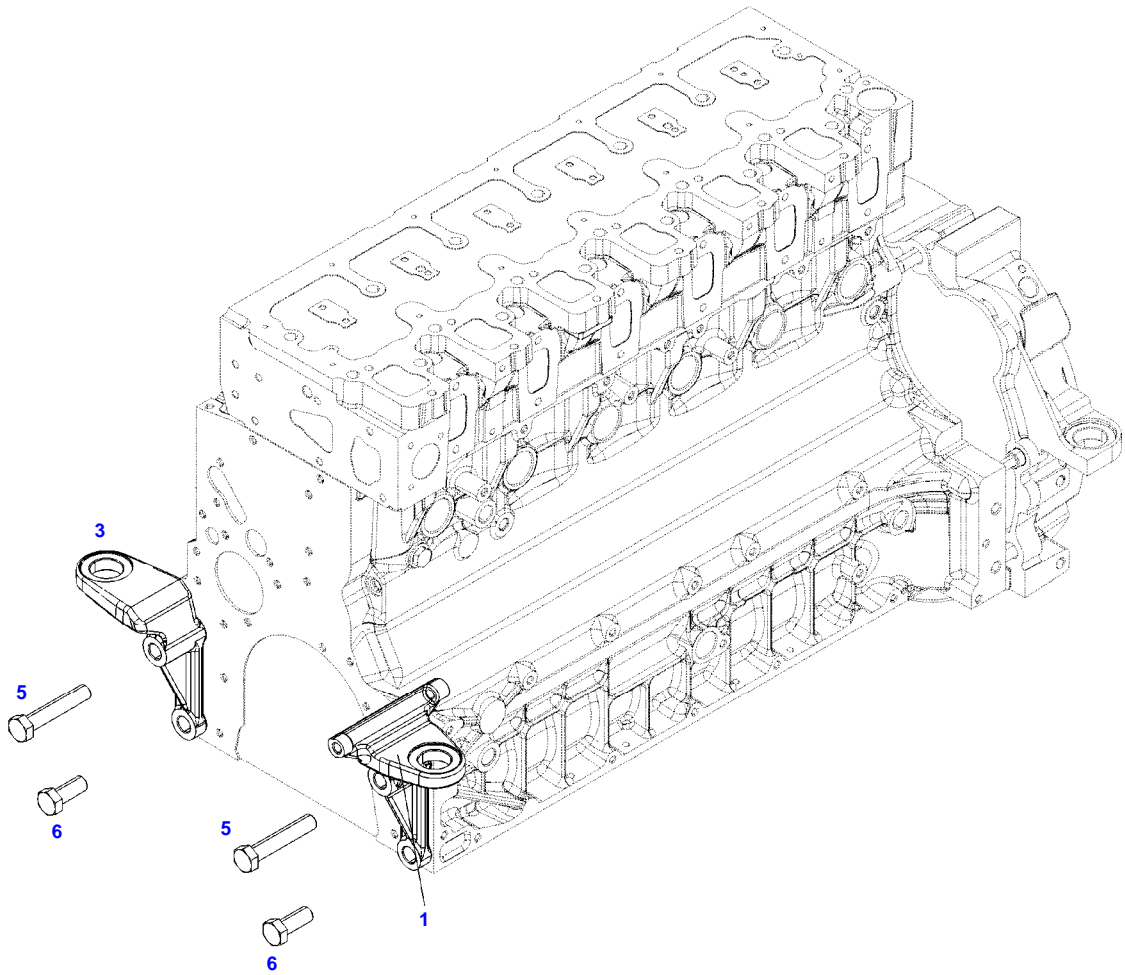
FENDT 716NA S4 (739/00101-06000) (WAM739XXX00F06001-99999)

F739105

SET OF GASKETS - MOTOR

Page01-0012

Item	Part Number	Qty	Description Comments
1	72615421	1	SEAL KIT WITHOUT CYLINDER HEAD GASKET



051220





Suggest:

For more complete manuals. Please go to the home page.

<https://www.ebooklibonline.com>

If the above button click is invalid. Please download this document first, and then click the above link to download the complete manual.

Thank you so much for reading

Fendt

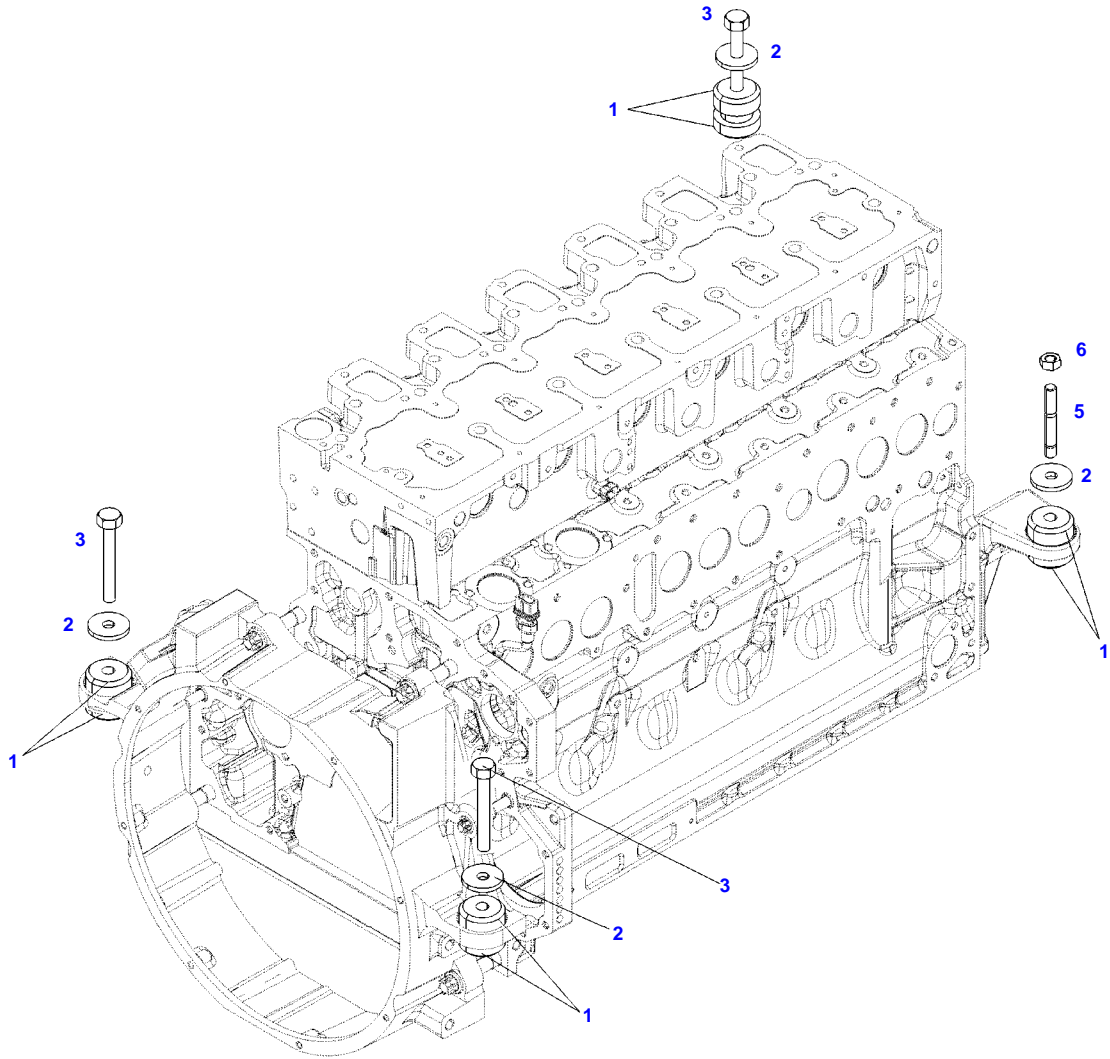
FENDT 716NA S4 (739/00101-06000) (WAM739XXX00F06001-99999)

F739105

ENGINE MOUNTINGS

Page01-0013

Item	Part Number	Qty	Description Comments	Technical Specification
1	72600590	1	ENGINE SUSPENSION	LI
3	72613694	1	ENGINE SUSPENSION	R
5	72374294	2	HEXAGONAL HEAD BOLT	DIN 931-M16X85 GWA-10.9
6	72418408	2	HEXAGONAL HEAD BOLT	DIN 933 M16X40 GWA-10.9



051219



<https://www.ebooklibonline.com>

Hello dear friend!

Thank you very much for reading.

Enter the link into your browser.

The full manual is available for immediate download.

<https://www.ebooklibonline.com>