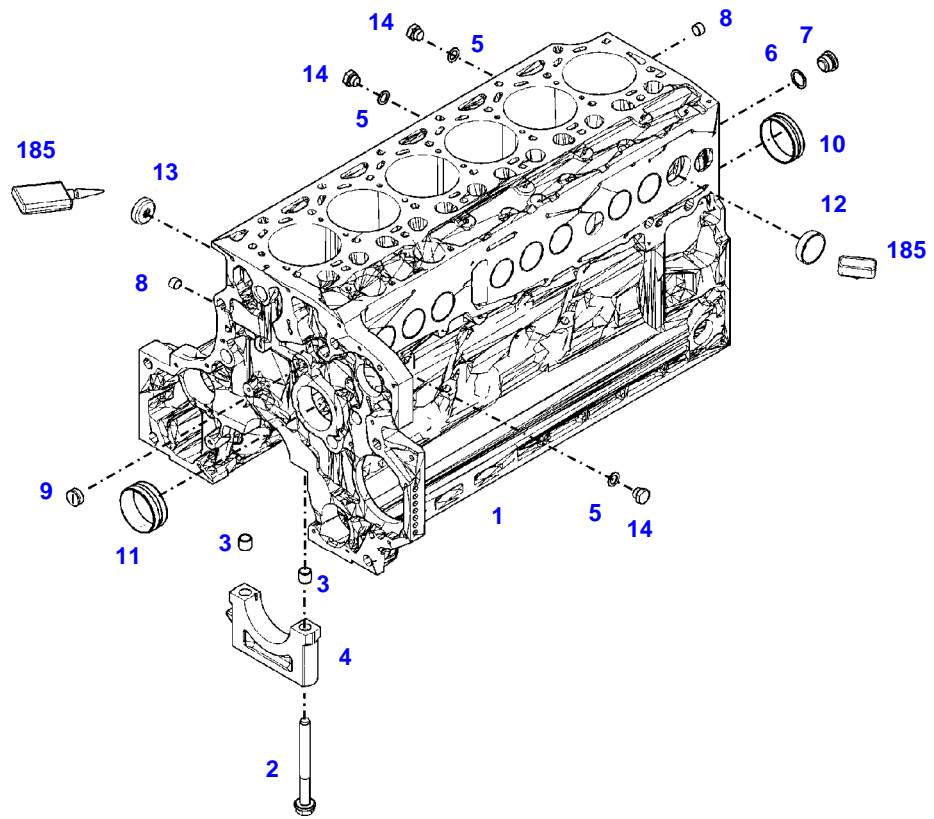


<b>Page Number</b>	<b>Page Title</b>	<b>Page Reference</b>
01-000-TOC	ENGINE, FUEL AND EXHAUST SYSTEM	01-000-TOC
02-000-TOC	AXLES	02-000-TOC
03-000-TOC	STEERING SYSTEM	03-000-TOC
04-000-TOC	DRIVE TRAIN SYSTEM	04-000-TOC
05-000-TOC	COMPRESSED AIR SYSTEM	05-000-TOC
06-000-TOC	HYDRAULIC SYSTEM	06-000-TOC
07-000-TOC	ELECTRICAL SYSTEM	07-000-TOC
08-000-TOC	CAB	08-000-TOC
09-000-TOC	AIR CONDITIONING AND HEATING SYSTEM	09-000-TOC
10-000-TOC	CHASSIS	10-000-TOC
11-000-TOC	WHEELS	11-000-TOC
12-000-TOC	IMPLEMENT LIFT SYSTEM FRONT	12-000-TOC
13-000-TOC	IMPLEMENT LIFT SYSTEM REAR	13-000-TOC
14-000-TOC	FRONT/REAR LOADERS	14-000-TOC
15-000-TOC	PRECISION FARMING SYSTEMS	15-000-TOC
16-000-TOC	ACCESSORIES	16-000-TOC

FENDT 714 SCR (732/00101-99999)  
41239



041239

Item	Part Number	Qty	Description Comments	Technical Specification
			<b>ENGINE NUMBER</b> --> 11227851	
	72442864	1	ENGINE --> 732/1001	TCD6.1L6
	72605694	1	ENGINE <-- 732/1002	TCD6.1L6
	72608986	1	REMANUFACTURED SHORT BLOCK ENGINE <-- 732/1002	
1	72486485	1	CRANKCASE ><2-14 ENG.NO. --> 11081905	
	72494059	1	CRANKCASE ><2-14 ENG.NO. <-- 11081906	
2	72416467	14	HEXAGONAL HEAD BOLT	
3	72344342	14	ADAPTER BUSH	
4			NOT AVAILABLE IN SINGLE PARTS	
5	72456134	3	SEALING WASHER	DIN 7603 D14X20-CU-VERZINNT
6	72439874	1	SEALING WASHER	
7	72455559	1	PLUG SCREW	
8	72429347	2	SCREW M14X1,5	M14X1,5
9	72431135	1	LOCKING PLUG	
10	72416469	6	BEARING BUSHING	
11	72479363	1	BEARING BUSHING ENG.NO. --> 11081905	
	72491822	1	BEARING BUSHING ENG.NO. <-- 11081906	
12	72325325	9	CORE HOLE PLUG	
13	72325326	6	CORE HOLE PLUG	
14	72315799	3	PLUG	DIN 7604 AM14X1,5-A3L
185	72381391	1	THREADLOCKER	LOCTITE 243 10ML

**<https://www.ebooklibonline.com>**

Hello dear friend!

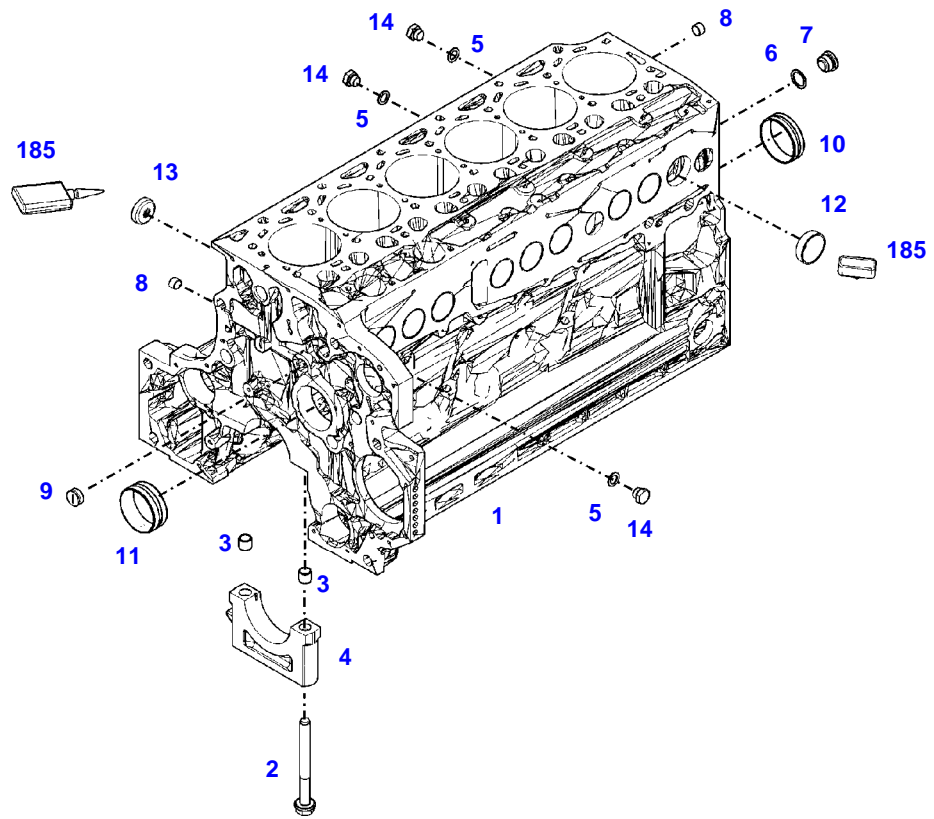
Thank you very much for reading.

Enter the link into your browser.

The full manual is available for immediate download.

**<https://www.ebooklibonline.com>**

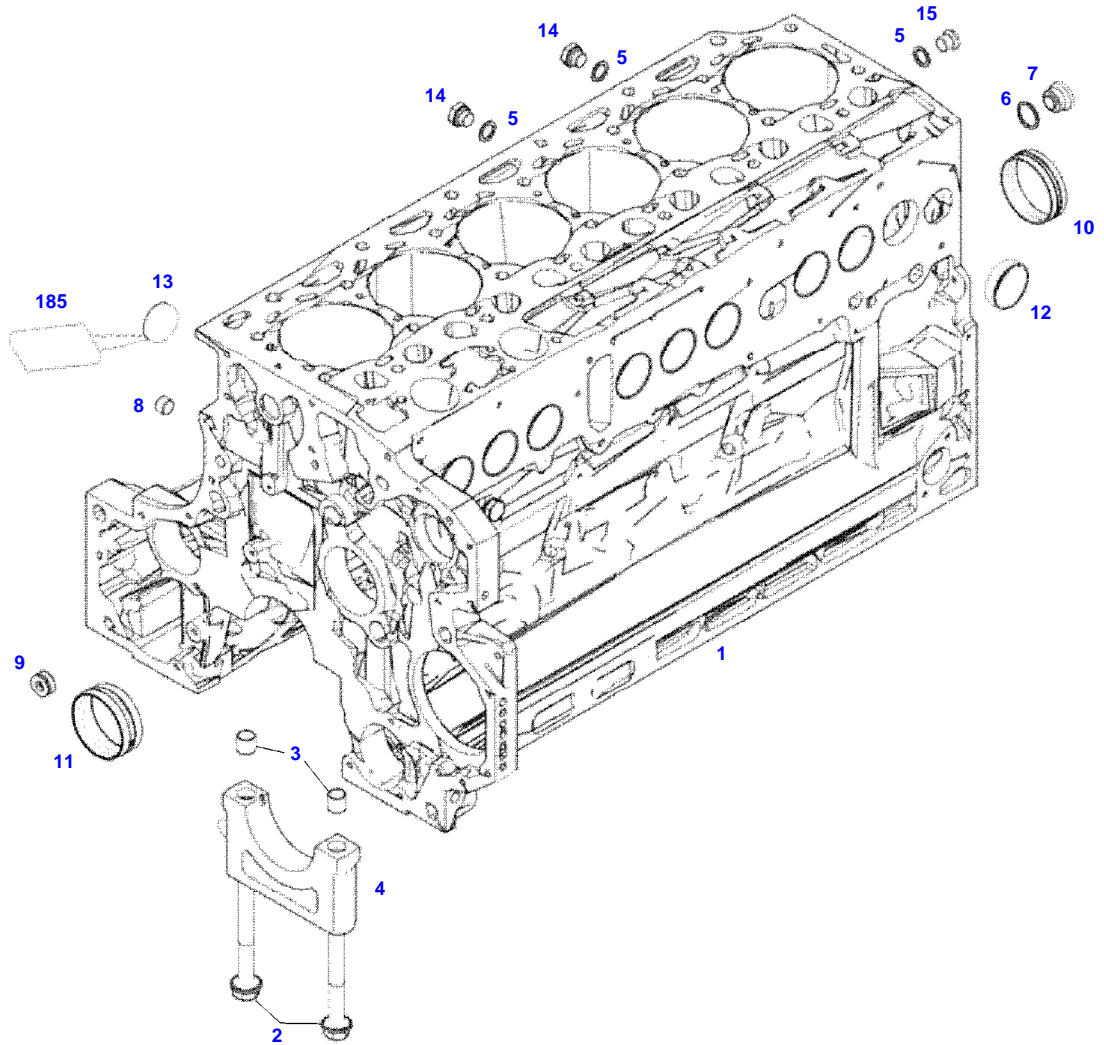
FENDT 714 SCR (732/00101-99999)  
41239



041239

Item	Part Number	Qty	Description Comments	Technical Specification
			<b>ENGINE NUMBER</b> <-- 11227852 --> 11627665	
	72605694	1	ENGINE --> 732/1711	TCD6.1L6
	72608986	1	REMANUFACTURED SHORT BLOCK ENGINE --> 732/1711	
	72609270	1	ENGINE <-- 732/1712 --> 732/2146	TCD6.1L6
	72626697	1	ENGINE FLEXI ENGINE <-- 732/2147	TCD6.1L6
1	72497419	1	CRANKCASE ><2-14	
2	72416467	14	HEXAGONAL HEAD BOLT	
3	72344342	14	ADAPTER BUSH	
4			NOT AVAILABLE IN SINGLE PARTS	
5	72456134	3	SEALING WASHER	DIN 7603 D14X20-CU-VERZINNT
6	72439874	1	SEALING WASHER	
7	72455559	1	PLUG SCREW	
8	72429347	2	SCREW M14X1,5	M14X1,5
9	72431135	1	LOCKING PLUG	
10	72497417	6	BEARING BUSHING	
11	72491822	1	BEARING BUSHING	
12	72325325	9	CORE HOLE PLUG	
13	72325326	6	CORE HOLE PLUG	
14	72315799	3	PLUG	DIN 7604 AM14X1,5-A3L
185	72381391	1	THREADLOCKER	LOCTITE 243 10ML

FENDT 714 SCR (732/00101-99999)  
F061411

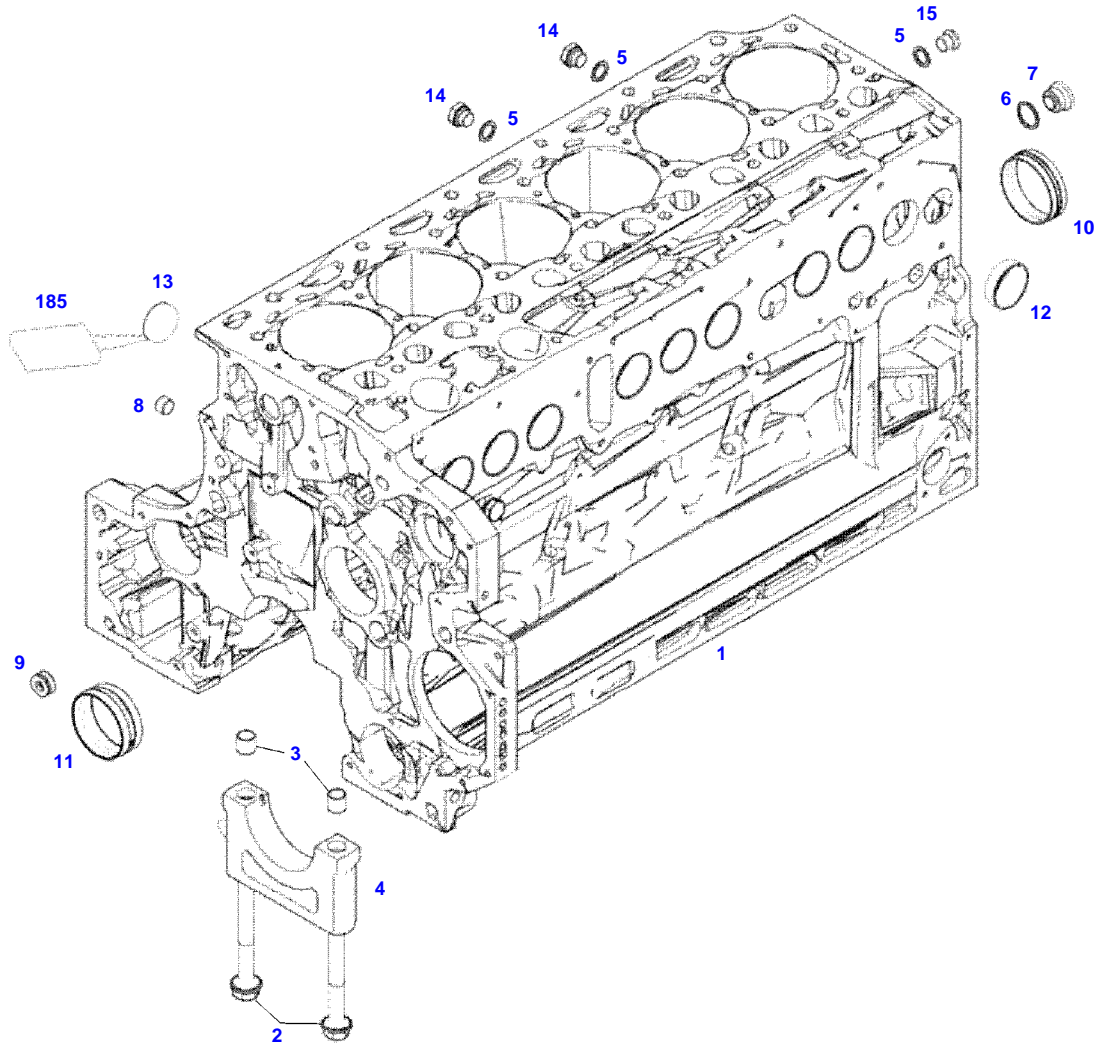


F061411



Item	Part Number	Qty	Description Comments	Technical Specification
			<b>ENGINE NUMBER</b> <-- 11627666 --> 11727015	
	72605694	1	ENGINE --> 732/1711	TCD6.1L6
	72608986	1	REMANUFACTURED SHORT BLOCK ENGINE --> 732/1711	
	72609270	1	ENGINE <-- 732/1712 --> 732/2146	TCD6.1L6
	72626697	1	ENGINE FLEXI ENGINE <-- 732/2147	TCD6.1L6
1	72616334	1	CRANKCASE ><2-14	
2	72416467	14	HEXAGONAL HEAD BOLT	
3	72344342	14	ADAPTER BUSH	
4			NOT AVAILABLE IN SINGLE PARTS	
5	72456134	3	SEALING WASHER	DIN 7603 D14X20-CU-VERZINNT
6	72439874	1	SEALING WASHER	
7	72455559	1	PLUG SCREW	
8	72429347	2	SCREW M14X1,5	M14X1,5
9	72431135	1	LOCKING PLUG	
10	72615416	6	BEARING BUSHING	
11	72491822	1	BEARING BUSHING	
12	72325325	9	CORE HOLE PLUG	
13	72325326	6	CORE HOLE PLUG	
14	72315799	3	PLUG	DIN 7604 AM14X1,5-A3L
15	72315438	1	PLUG SCREW	DIN 908 M14X1,5-ST
185	72381391	1	THREADLOCKER	LOCTITE 243 10ML

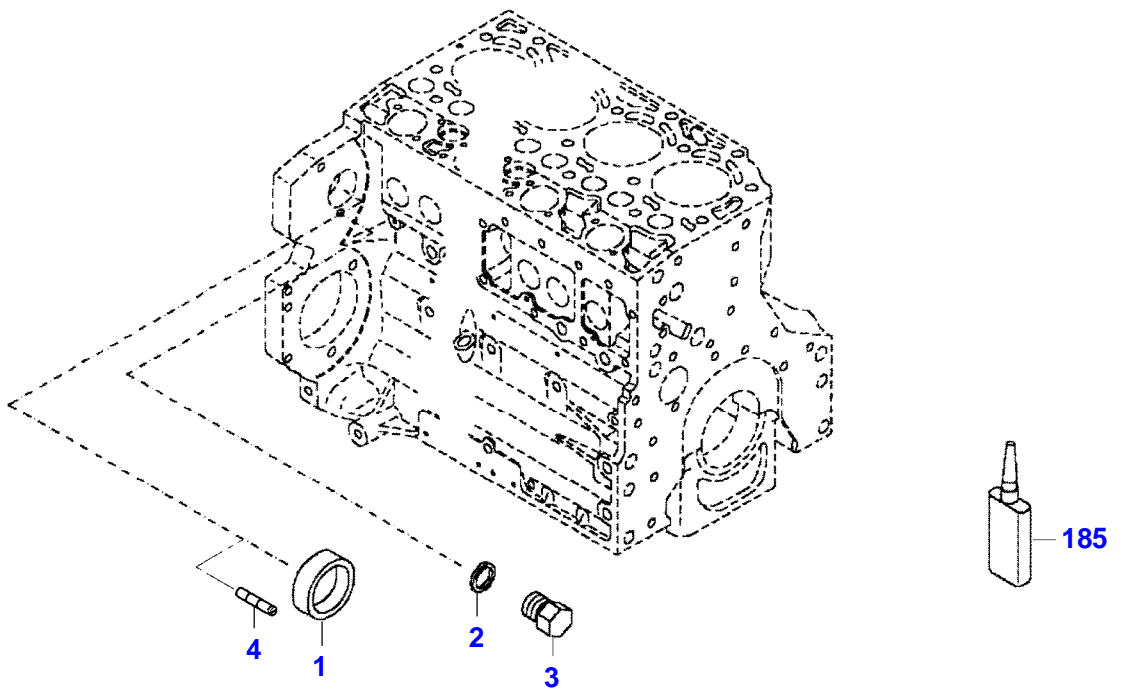
FENDT 714 SCR (732/00101-99999)  
F061411



F061411



Item	Part Number	Qty	Description Comments	Technical Specification
			<b>ENGINE NUMBER</b> <-- 11727016	
	72605694	1	ENGINE --> 732/1711	TCD6.1L6
	72608986	1	REMANUFACTURED SHORT BLOCK ENGINE --> 732/1711	
	72609270	1	ENGINE <-- 732/1712 --> 732/2146	TCD6.1L6
	72626697	1	ENGINE FLEXI ENGINE <-- 732/2147	TCD6.1L6
1	72616334	1	CRANKCASE ><2-14	
2	72416467	14	HEXAGONAL HEAD BOLT	
3	72344342	14	ADAPTER BUSH	
4			NOT AVAILABLE IN SINGLE PARTS	
5	72456134	3	SEALING WASHER	DIN 7603 D14X20-CU-VERZINNT
6	72439874	1	SEALING WASHER	
7	72455559	1	PLUG SCREW	
8	72429347	2	SCREW M14X1,5	M14X1,5
9	72431135	1	LOCKING PLUG	
10	ACP0152940	6	FEMALE BEARING	
11	ACP0152930	1	FEMALE BEARING	
12	72325325	9	CORE HOLE PLUG	
13	72325326	6	CORE HOLE PLUG	
14	72315799	3	PLUG	DIN 7604 AM14X1,5-A3L
15	72315438	1	PLUG SCREW	DIN 908 M14X1,5-ST
185	72381391	1	THREADLOCKER	LOCTITE 243 10ML

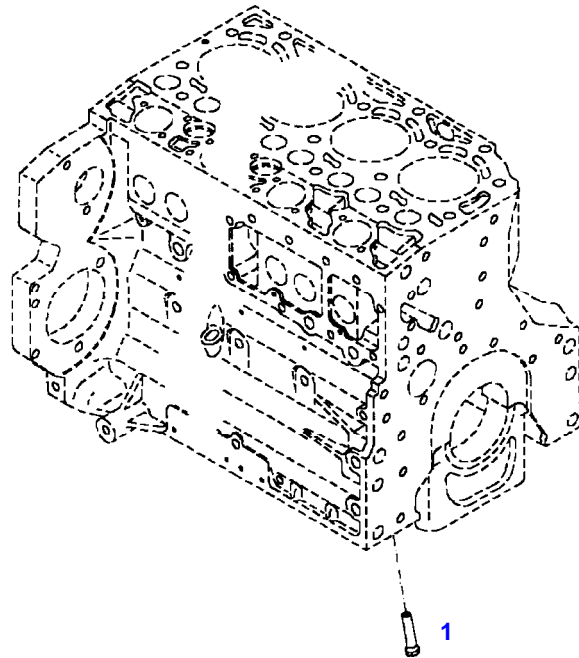


432327-M-1

Item	Part Number	Qty	Description Comments	Technical Specification
<b>BLANKING PARTS</b>				
1	72627515	1	CORE HOLE PLUG	
2	72315088	2	SEALING WASHER	DIN 7603 A10X13,5-CU
3	72323677	2	PLUG	
4	72631860	2	THREADED PIN	
185	72325403	1	SAFE.LOCK AGENT	

FENDT 714 SCR (732/00101-99999)  
30094

---



030004

---

Fendt

FENDT 714 SCR (732/00101-99999)

F732000

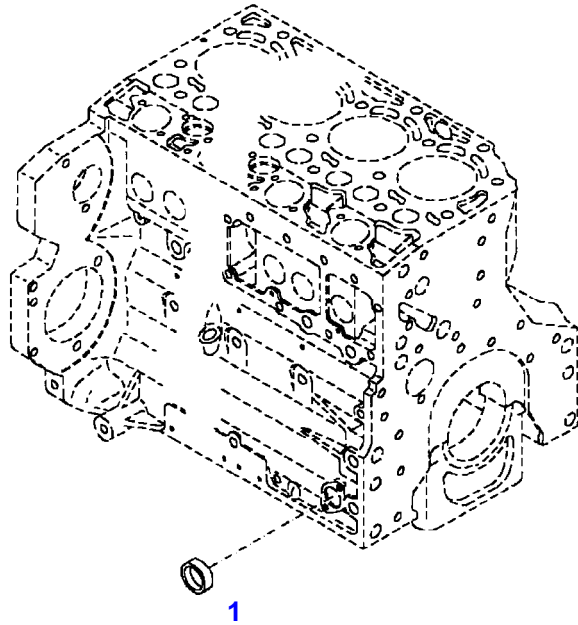
CRANKCASE

Page01-0006

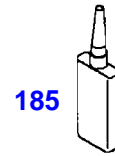
---

Item	Part Number	Qty	Description Comments
			PISTON COOL.NOZZLE
1	72415140	6	PISTON COOLING JET

FENDT 714 SCR (732/00101-99999)  
40194



040194



---

Fendt

FENDT 714 SCR (732/00101-99999)

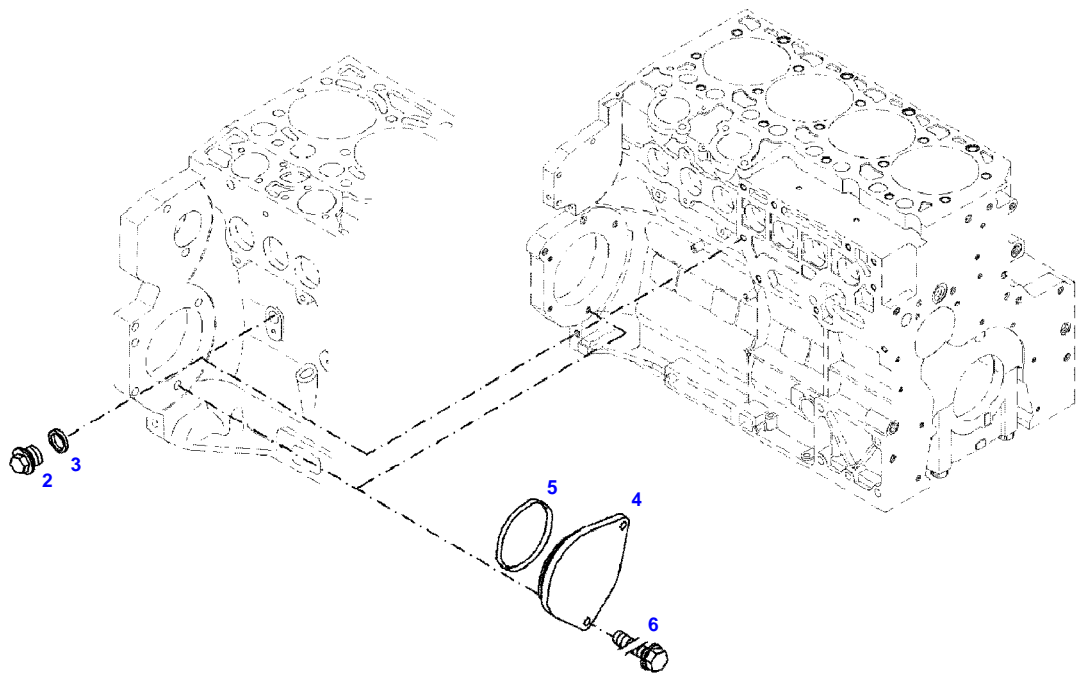
F732000

CRANKCASE

Page01-0007

---

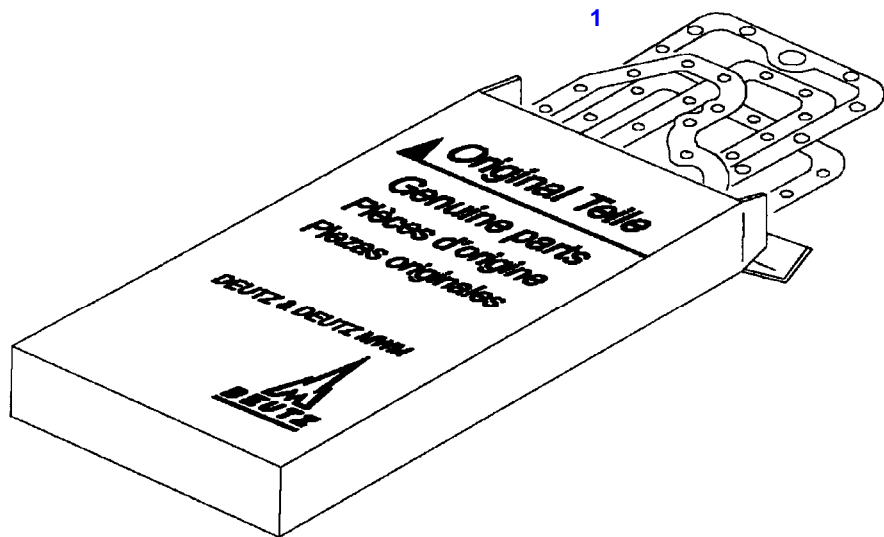
Item	Part Number	Qty	Description Comments
			LOCKING PLUG
1	72325326	1	CORE HOLE PLUG
185	72325403	1	SAFE.LOCK AGENT



051577



Item	Part Number	Qty	Description Comments	Technical Specification
<b>BLANKING PARTS</b>				
2	72315799	1	PLUG NOT NEEDED WITH AIR BRAKE	DIN 7604 AM14X1,5-A3L
3	72315094	1	SEALING WASHER NOT NEEDED WITH AIR BRAKE	DIN 7603 A14X18-CU
4	72431648	1	COVER NOT NEEDED WITH AIR BRAKE	
5	72416472	1	SEAL 96X4MM NOT NEEDED WITH AIR BRAKE	
6	72438057	2	HEXAGONAL HEAD BOLT NOT NEEDED WITH AIR BRAKE	M10X20



030100

---

Fendt

FENDT 714 SCR (732/00101-99999)

F732000

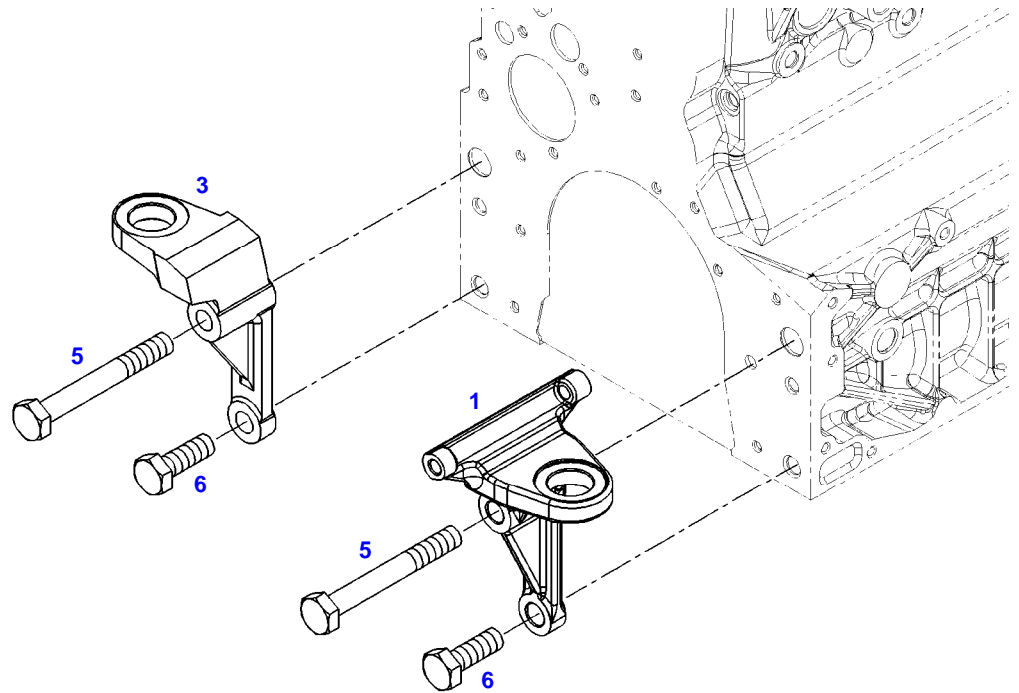
SET OF GASKETS - MOTOR

Page01-0009

---

Item	Part Number	Qty	Description Comments
1	72609323	1	SEAL KIT WITHOUT CYLINDER HEAD GASKET UP TO ENGINE NUMBER 11691133
	72615421	1	SEAL KIT WITHOUT CYLINDER HEAD GASKET FROM ENGINE S/N 11691134

FENDT 714 SCR (732/00101-99999)  
38791

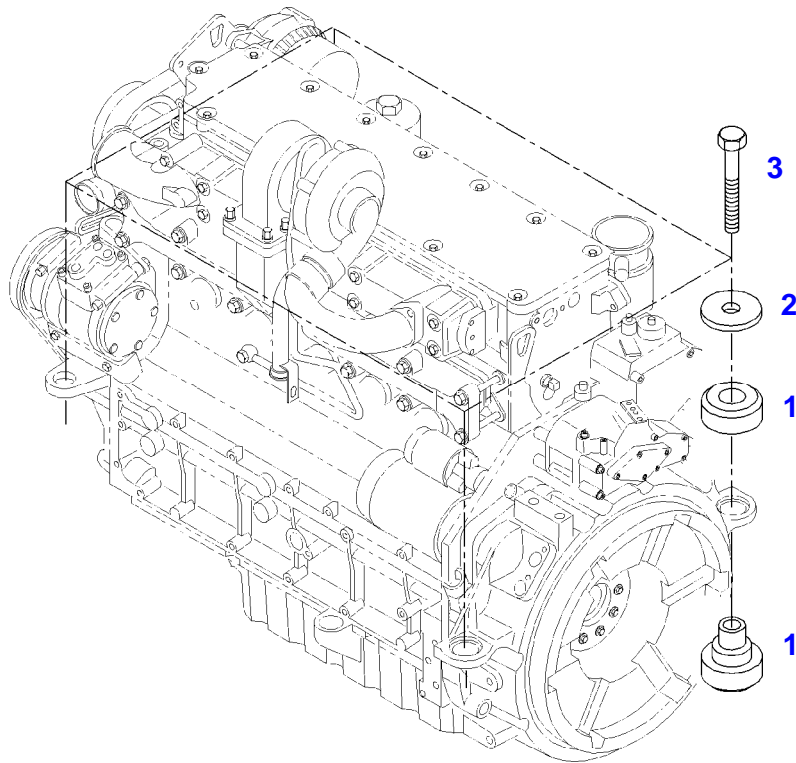


038791

**ENGINE MOUNTINGS**

<b>Item</b>	<b>Part Number</b>	<b>Qty</b>	<b>Description Comments</b>	<b>Technical Specification</b>
1	72442925	1	ENGINE SUSPENSION LEFT	
3	72423955	1	ENGINE SUSPENSION RIGHT	
5	72374294	2	HEXAGONAL HEAD BOLT	DIN 931-M16X85 GWA-10.9
6	72418408	2	HEXAGONAL HEAD BOLT	DIN 933 M16X40 GWA-10.9

FENDT 714 SCR (732/00101-99999)  
35107



035107



**Suggest:**

**For more complete manuals. Please go to the home page.**

**<https://www.ebooklibonline.com>**

**If the above button click is invalid. Please download this document first, and then click the above link to download the complete manual.**

**Thank you so much for reading**

---

Fendt

FENDT 714 SCR (732/00101-99999)

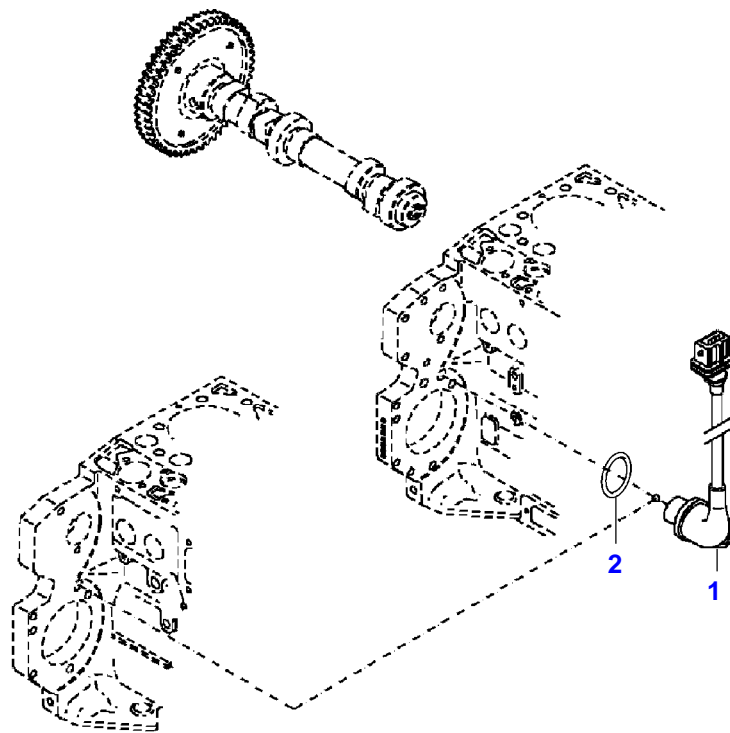
F732000

ENGINE BEARINGS

Page01-0011

---

Item	Part Number	Qty	Description Comments	Technical Specification
1	72423991	4	ENGINE MOUNT	
2	72318110	4	DISC	
3	72315563	4	HEXAGONAL HEAD BOLT	DIN 931 M12X80-8.8A3L



**<https://www.ebooklibonline.com>**

Hello dear friend!

Thank you very much for reading.

Enter the link into your browser.

The full manual is available for immediate download.

**<https://www.ebooklibonline.com>**