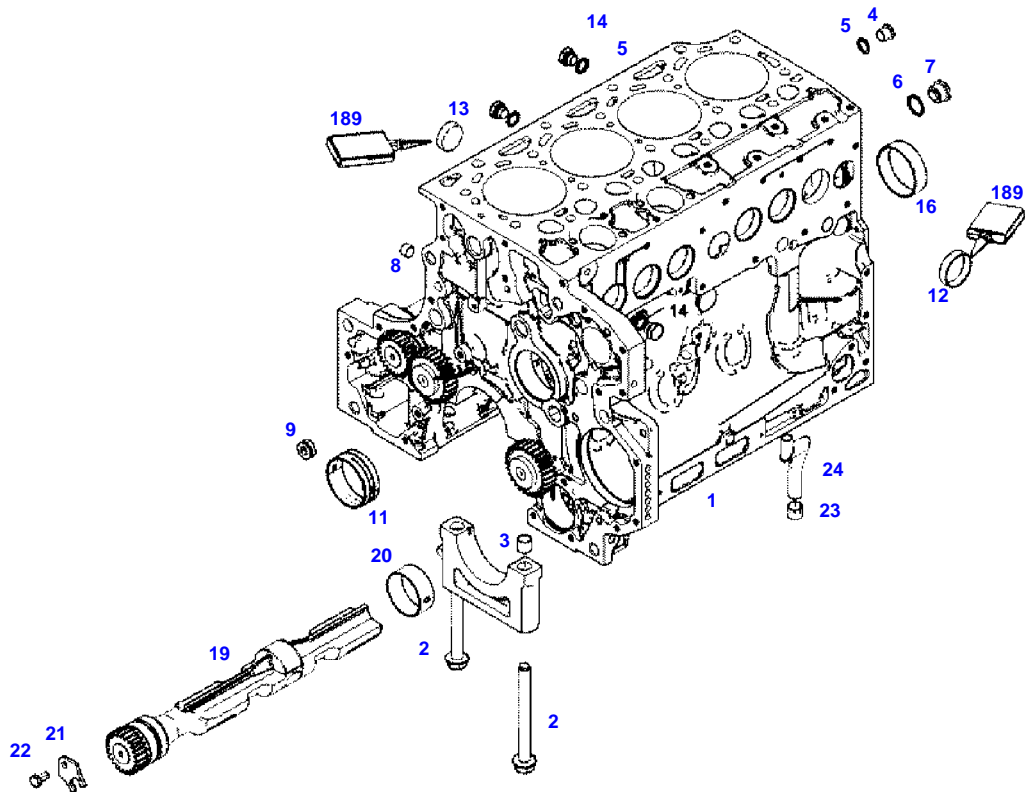


TABLE OF CONTENT

Page Number	Page Title	Page Reference
01-000-TOC	ENGINE, FUEL AND EXHAUST SYSTEM	01-000-TOC
02-000-TOC	AXLES	02-000-TOC
03-000-TOC	STEERING SYSTEM	03-000-TOC
04-000-TOC	DRIVE TRAIN SYSTEM	04-000-TOC
05-000-TOC	COMPRESSED AIR SYSTEM	05-000-TOC
06-000-TOC	HYDRAULIC SYSTEM	06-000-TOC
07-000-TOC	ELECTRICAL SYSTEM	07-000-TOC
08-000-TOC	CAB	08-000-TOC
09-000-TOC	AIR CONDITIONING AND HEATING SYSTEM	09-000-TOC
10-000-TOC	CHASSIS	10-000-TOC
11-000-TOC	WHEELS	11-000-TOC
12-000-TOC	IMPLEMENT LIFT SYSTEM FRONT	12-000-TOC
13-000-TOC	IMPLEMENT LIFT SYSTEM REAR	13-000-TOC
14-000-TOC	LINKAGE	14-000-TOC
15-000-TOC	FRONT/REAR LOADERS	15-000-TOC
16-000-TOC	PRECISION FARMING SYSTEMS	16-000-TOC
17-000-TOC	ACCESSORIES	17-000-TOC



F060459

Item	Part Number	Qty	Description Comments	Technical Specification
			FROM ENGINE S/N 12290736	
	72617519	1	ENGINE FROM - UP TO MACHINE S/N 436/0001 - 436/1057	TCD4.1L4
	72654936	1	ENGINE FROM MACHINE S/N 436/1058	TCD4.1L4
1	ACP0152920	1	CRANKCASE ><2-14, 19-24	
2	72416467	10	HEXAGONAL HEAD BOLT	
3	72344342	10	ADAPTER BUSH	
4	72315438	1	PLUG SCREW	DIN 908 M14X1,5-ST
5	72456134	4	SEALING WASHER	DIN 7603 D14X20-CU-VERZINNT
6	72439874	1	SEALING WASHER	
7	72455559	1	PLUG SCREW	
8	72429347	1	SCREW	M14X1,5
9	72431135	1	LOCKING PLUG	
11	ACP0152930	1	FEMALE BEARING	
12	72325325	6	CORE HOLE PLUG	
13	72325326	4	CORE HOLE PLUG	
14	72315799	3	PLUG	DIN 7604 AM14X1,5-A3L
16	ACP0152940	4	FEMALE BEARING	
19	72439854	2	GANG SHAFT	
20	72325339	4	BUSHING	
21	72415943	2	THRUST WASHER	
22	72423137	2	HEXAGONAL HEAD BOLT	
23	72420773	1	LOCKING PART	
24	72436713	1	LINE	
189	72381391	1	THREADLOCKER	LOCTITE 243 10ML

<https://www.ebooklibonline.com>

Hello dear friend!

Thank you very much for reading.

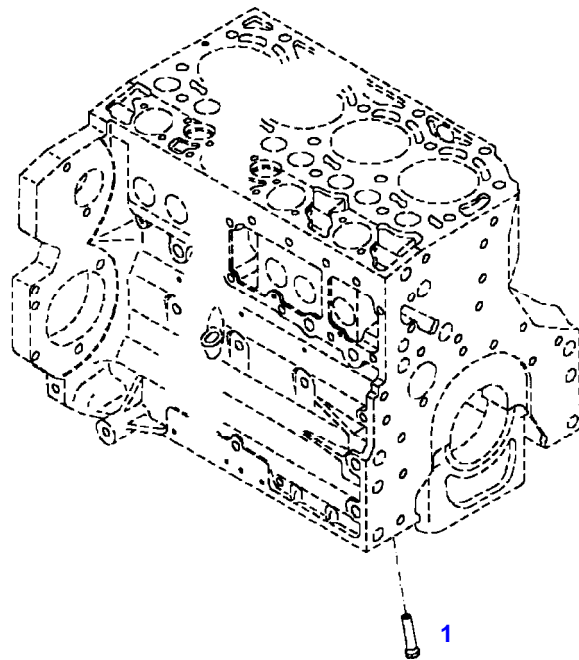
Enter the link into your browser.

The full manual is available for immediate download.

<https://www.ebooklibonline.com>



Item	Part Number	Qty	Description Comments	Technical Specification
BLANKING PARTS				
1	72627515	1	CORE HOLE PLUG UP TO ENGINE NUMBER 11983491	
	72628071	1	CAP COVER FROM ENGINE S/N 11983492	
2	72315088	2	SEALING WASHER	DIN 7603 A10X13,5-CU
3	72323677	2	PLUG	
4	72631860	2	THREADED PIN UP TO ENGINE S/N 12473107	
	72657969	2	PLUG SCREW STARTING FROM ENGINE SERIAL NUMBER 12473108	
185	72325403	1	SAFE.LOCK AGENT UP TO ENGINE NUMBER 11983491	
	72493900	1	INSTALLATION AIDS FROM ENGINE S/N 11983492	



030004

Fendt

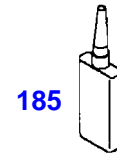
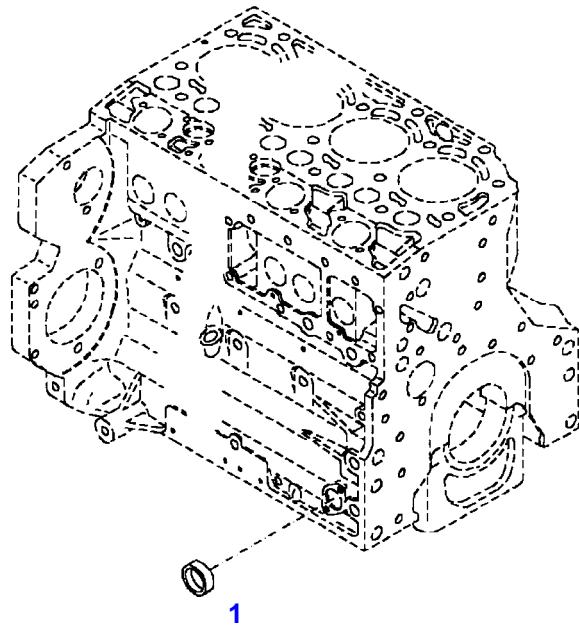
FENDT 513NA S4 (436/00101-05000) (WAM436XXX00F05001-99999)

F436105

CRANKCASE

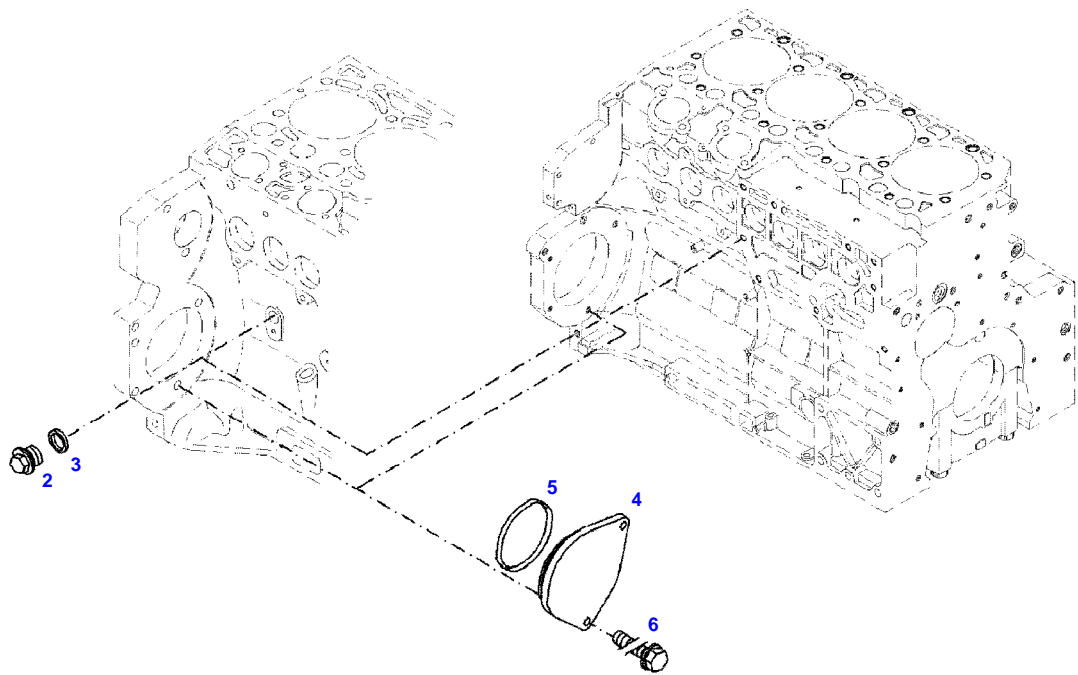
Page01-0005

Item	Part Number	Qty	Description Comments
			PISTON COOL.NOZZLE
1	72415140	4	PISTON COOLING JET



040194

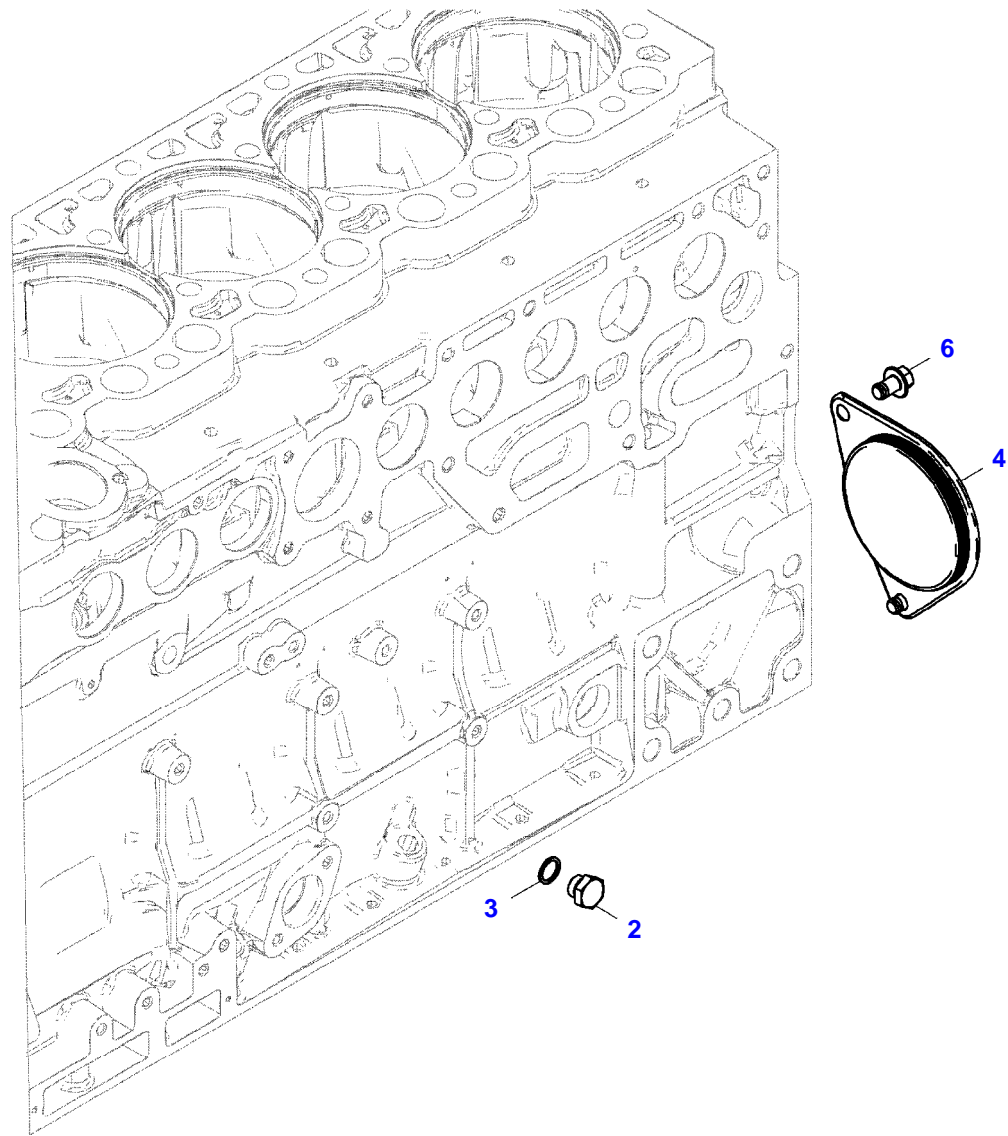
Item	Part Number	Qty	Description Comments
			LOCKING PLUG
1	72325326	1	CORE HOLE PLUG UP TO ENGINE NUMBER 11983491
	72628072	1	CAP COVER FROM ENGINE S/N 11983492
185	72325403	1	SAFE.LOCK AGENT UP TO ENGINE NUMBER 11983491
	72493900	1	INSTALLATION AIDS FROM ENGINE S/N 11983492



051577

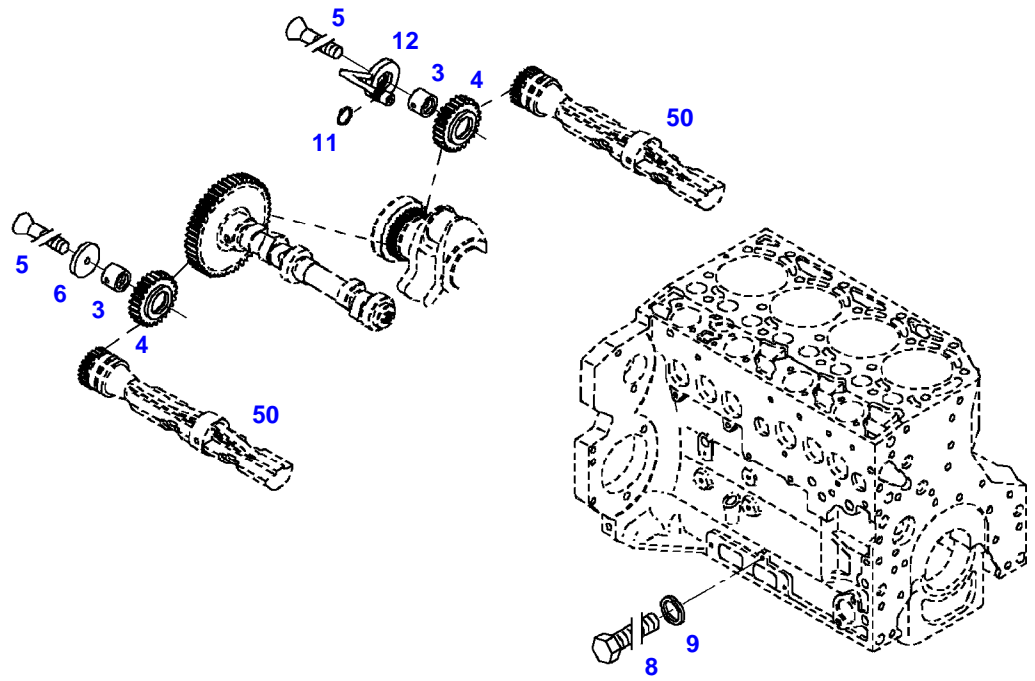


Item	Part Number	Qty	Description Comments	Technical Specification
			BLANKING PARTS UP TO ENGINE S/N 12125465	
2	72315799	1	PLUG NOT NEEDED WITH AIR BRAKE	DIN 7604 AM14X1,5-A3L
3	72439867	1	SEALING WASHER NOT NEEDED WITH AIR BRAKE	DIN7603-14X18-CU-VERZ
4	72431648	1	COVER NOT NEEDED WITH AIR BRAKE	
5	72416472	1	SEAL 96X4MM NOT NEEDED WITH AIR BRAKE	
6	72438057	2	HEXAGONAL HEAD BOLT NOT NEEDED WITH AIR BRAKE UP TO JANUARY 2017	M10X20
	72657640	2	HEXAGONAL HEAD BOLT FROM JANUARY 2017	M10X16



25548786-M-1

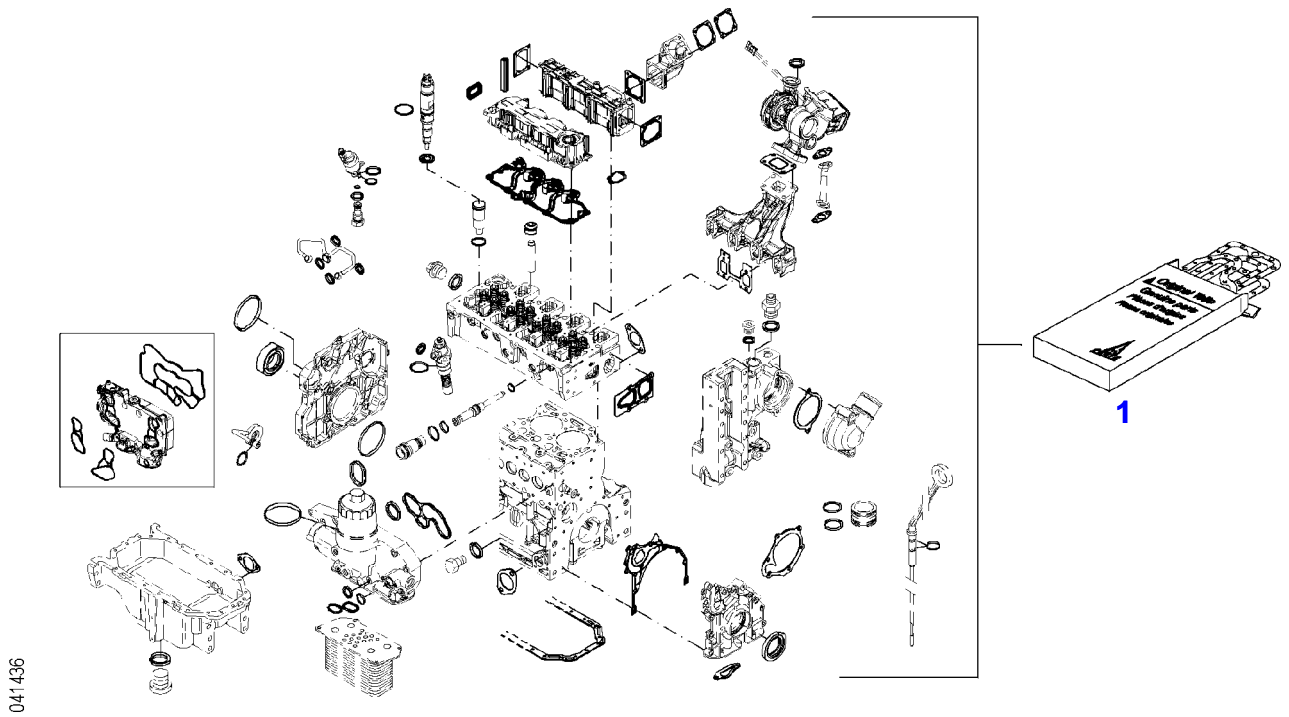
Item	Part Number	Qty	Description Comments	Technical Specification
			BLANKING PARTS FROM ENGINE S/N 12125466	
2	72631866	1	PLUG SCREW NOT NEEDED WITH AIR BRAKE	
3	72439867	1	SEALING WASHER NOT NEEDED WITH AIR BRAKE	DIN7603-14X18-CU-VERZ
4	72657732	1	COVER NOT NEEDED WITH AIR BRAKE	
6	72657640	2	HEXAGONAL HEAD BOLT	M10X16



033867

MASS BALANCER GEAR

Item	Part Number	Qty	Description Comments	Technical Specification
3	72415940	2	PIVOT	
4	72415941	2	GEAR WHEEL	
5	72423136	2	COUNTERSUNK CAPSCREW M8X45	
6	72415942	1	FIXING SHIM	
8	72315644	2	HEXAGONAL HEAD BOLT	DIN 933 M8X10-8.8A3L
9	72315087	2	SEALING WASHER	DIN 7603 A8X14-CU
11	72423138	1	SEAL 7X1,5MM	
12	72415945	1	PIVOT	
50			SEE CRANKCASE	



Fendt

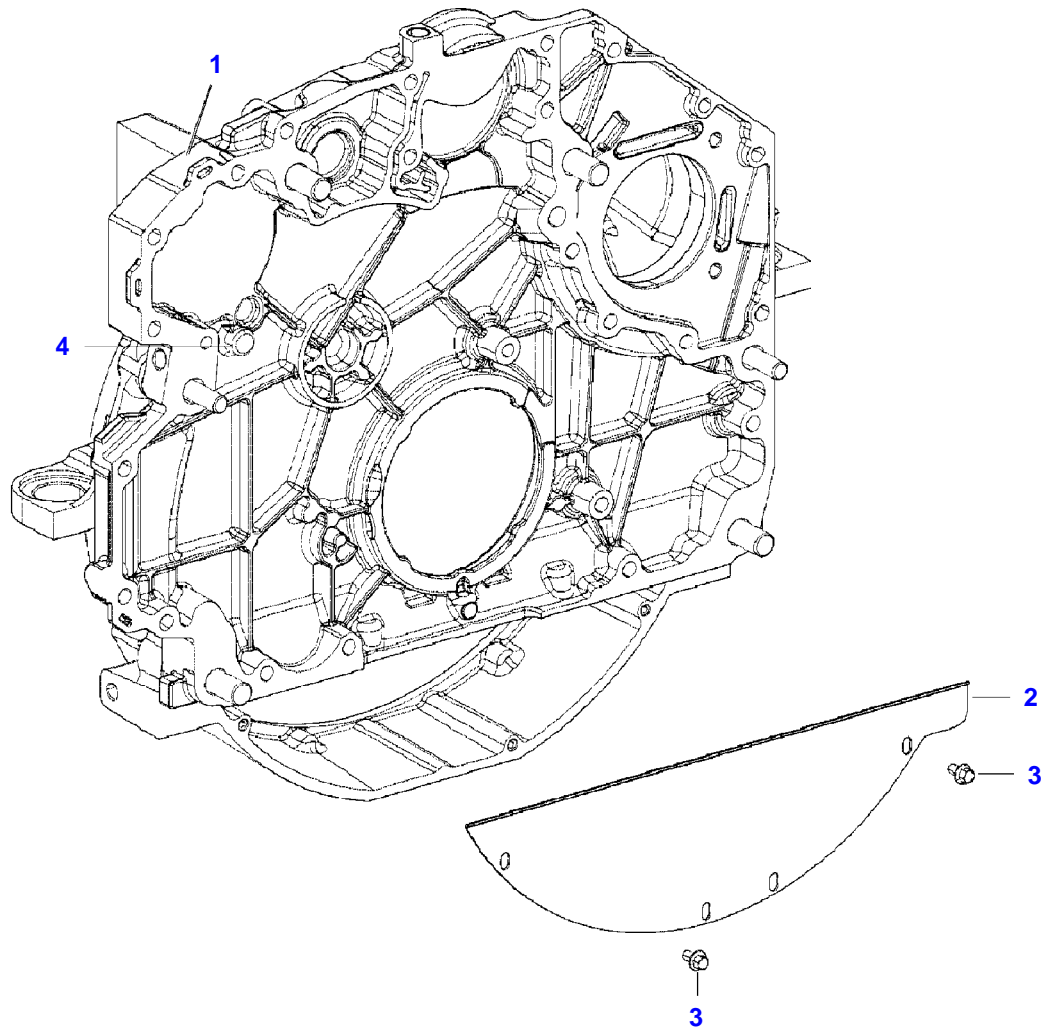
FENDT 513NA S4 (436/00101-05000) (WAM436XXX00F05001-99999)

F436105

SET OF GASKETS

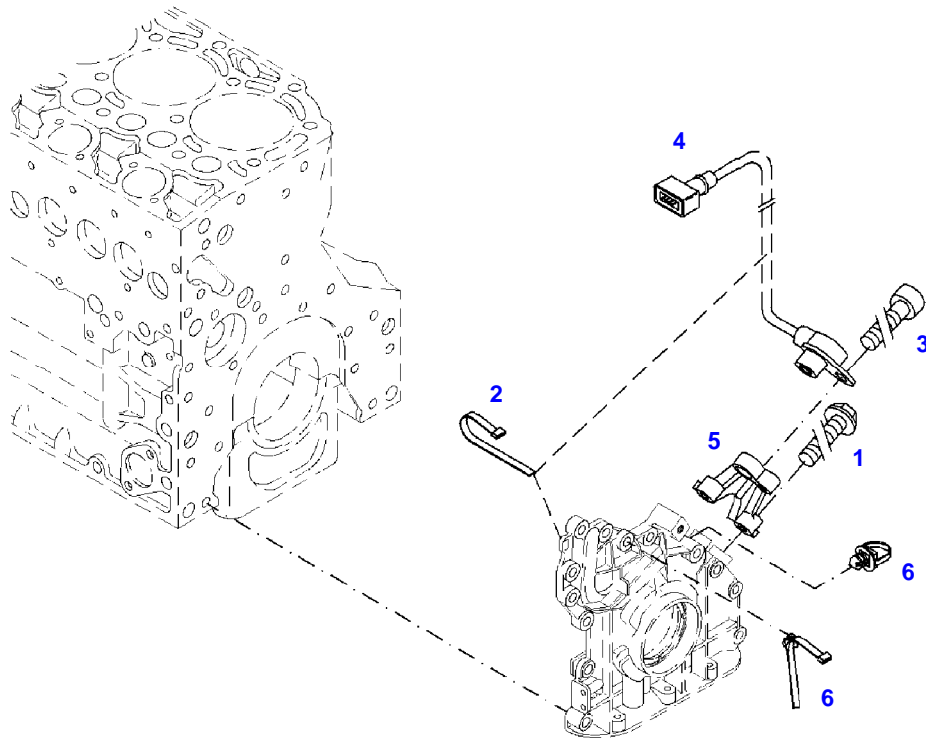
Page01-0010

Item	Part Number	Qty	Description Comments
			ENGINE
1	72609180	1	SEAL KIT WITHOUT CYLINDER HEAD GASKET



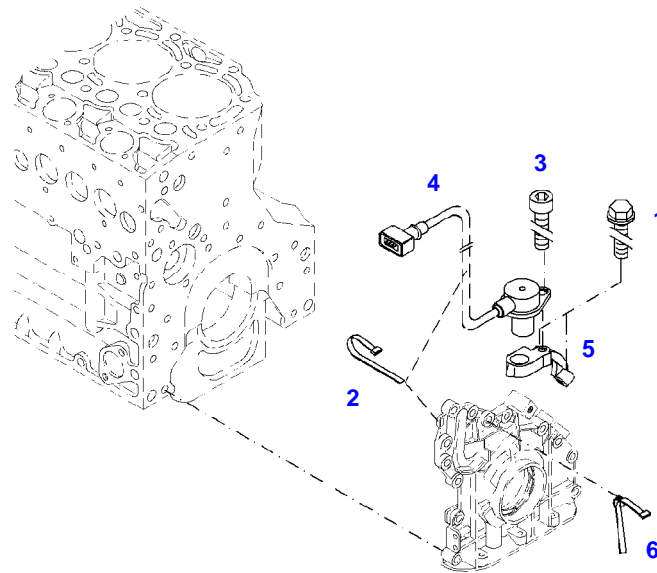
11180031-M-1

Item	Part Number	Qty	Description Comments	Technical Specification
1	72605242	1	CONNECTING HOUSING ><2,3	
2	72416423	1	COVER PANEL	
3	72325300	3	HEXAGONAL HEAD BOLT	M6X12
4	72657641	1	BUSHING	



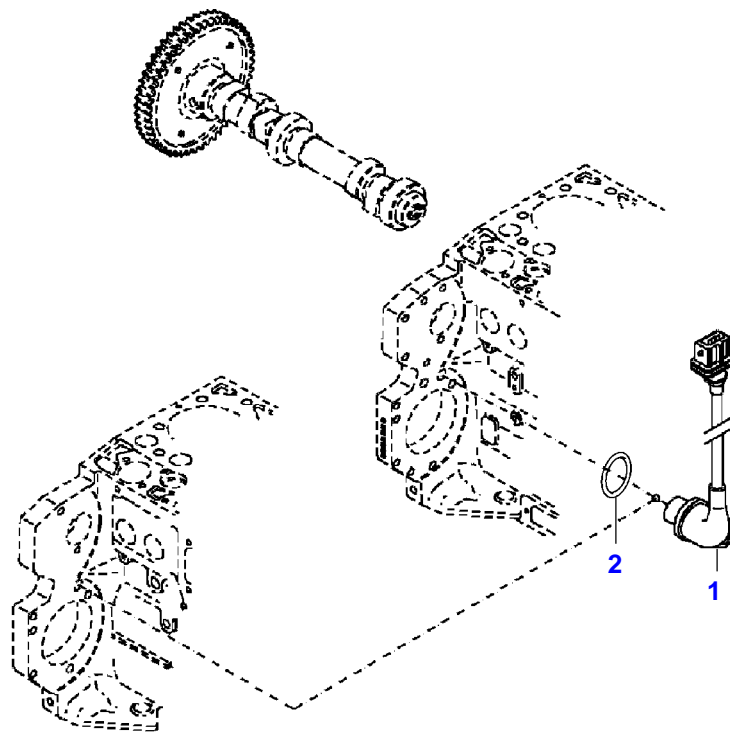
041001

Item	Part Number	Qty	Description Comments	Technical Specification
			ENGINE SPEED EDC ENGINE NUMBER -->11613728	
1	72436834	2	HEXAGONAL HEAD BOLT M6X30	
2	72416001	1	RETAINING STRAP	
3	72315460	1	SOCKET HEAD BOLT	DIN 912 M6X16-8.8
4	72436872	1	TRANSMITTER ENGINE SPEED EDC	
5	72494073	1	RETAINER	
6	72455561	2	RETAINING STRAP	



041030

Item	Part Number	Qty	Description Comments	Technical Specification
			ENGINE SPEED EDC ENGINE NUMBER <--11613729	
1	72436834	2	HEXAGONAL HEAD BOLT M6X30	
2	72416001	2	RETAINING STRAP	
3	72315460	1	SOCKET HEAD BOLT	DIN 912 M6X16-8.8
4	72436872	1	TRANSMITTER ENGINE SPEED EDC	
5	72495289	1	RETAINER	
6	72455561	1	RETAINING STRAP	



431755-M-1

Fendt

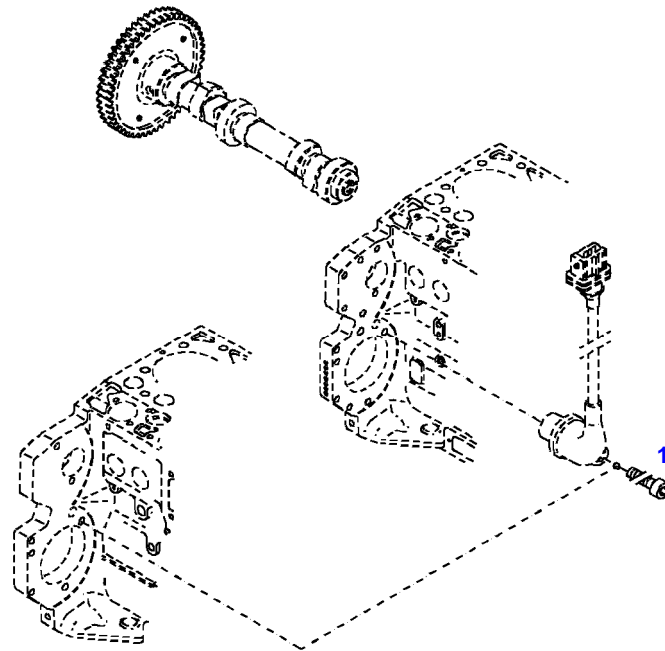
FENDT 513NA S4 (436/00101-05000) (WAM436XXX00F05001-99999)

F436105

TRANSMITTER

Page01-0014

Item	Part Number	Qty	Description Comments
			ENGINE SPEED EDC
1	72436871	1	TRANSMITTER UP TO ENGINE NUMBER 11948102
	72626758	1	TRANSMITTER FROM ENGINE S/N 11948103
2	72628348	1	O-RING



035317

Fendt

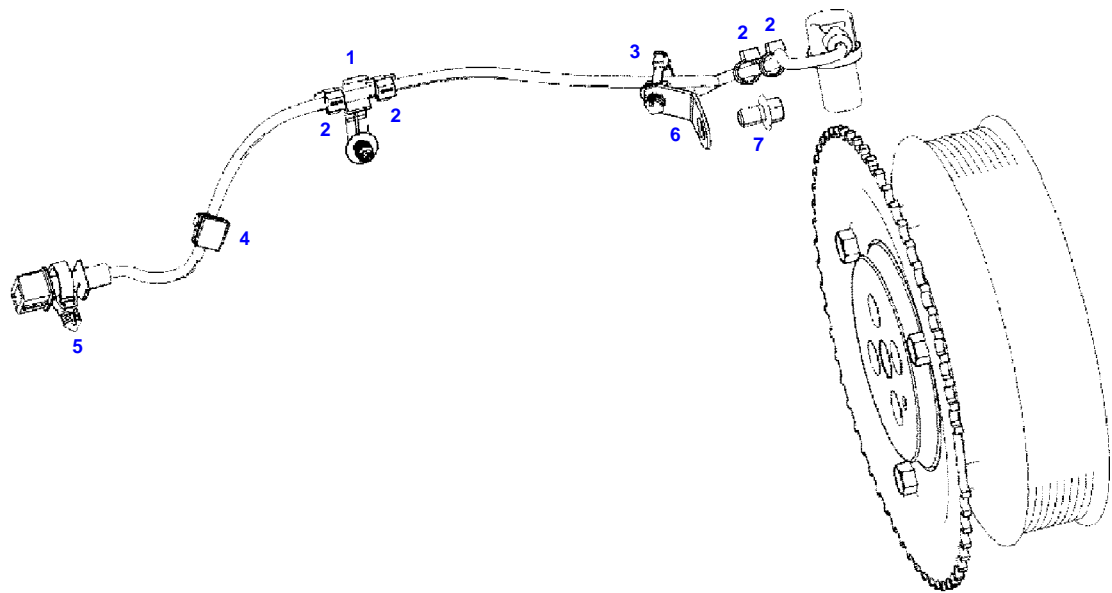
FENDT 513NA S4 (436/00101-05000) (WAM436XXX00F05001-99999)

F436105

TRANSMITTER

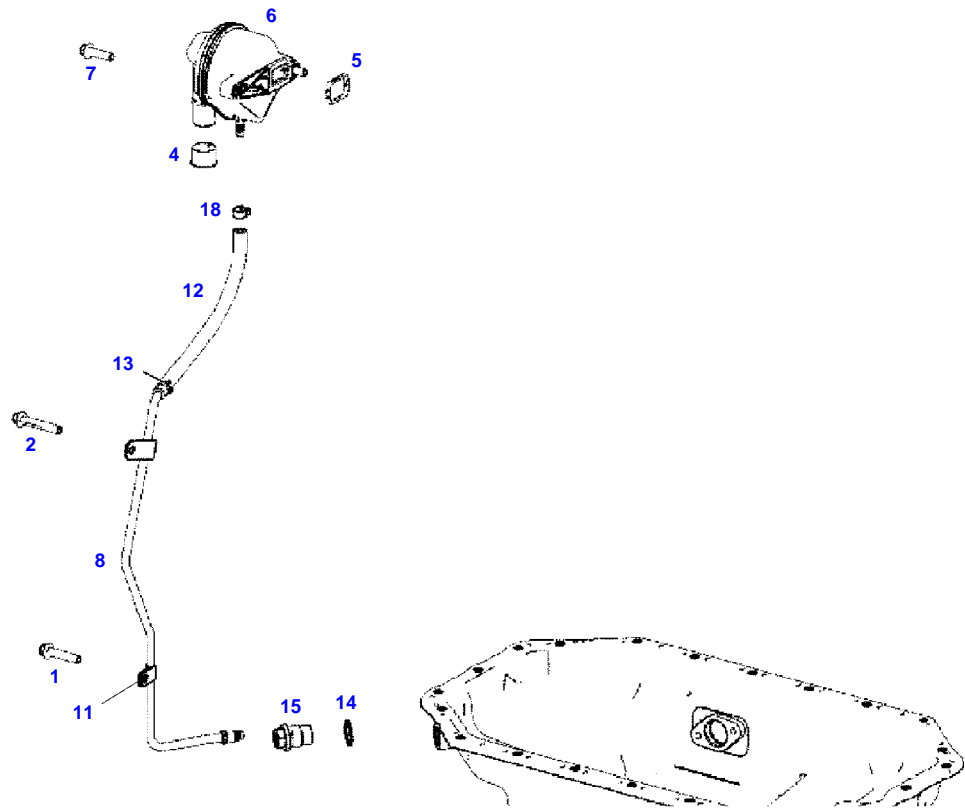
Page01-0015

Item	Part Number	Qty	Description Comments	Technical Specification
			ENGINE SPEED FASTENINGS	
1	72315460	1	SOCKET HEAD BOLT	DIN 912 M6X16-8.8



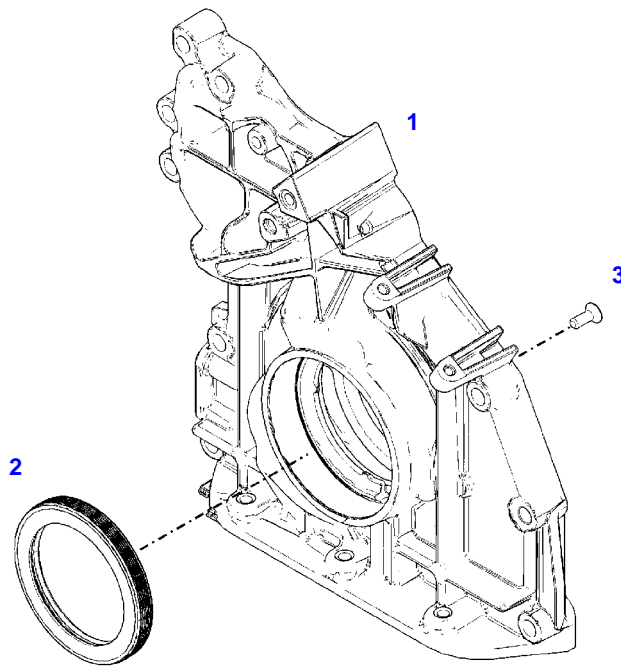
F060457

Item	Part Number	Qty	Description Comments	Technical Specification
1	72613268	1	PLASTIC CLIP	
2	72416001	4	RETAINING STRAP	
3	72455561	1	RETAINING STRAP	
4	72614683	1	RETAINING STRAP	
5	72436349	1	RETAINING STRAP	
6	ACP0152700	1	RETAINING SHEET METAL	
7	72613267	1	HEXAGONAL HEAD BOLT	M8X12



F060461

Item	Part Number	Qty	Description Comments	Technical Specification
1	72325457	1	HEXAGONAL HEAD BOLT	
2	72325453	1	HEXAGONAL HEAD BOLT	
4	ACP0153300	1	LOCKING PLUG	
5	72455795	1	SEAL	
6	72437250	1	BREATHER ><5	
7	72325293	2	HEXAGONAL HEAD BOLT	M8X30
8	ACP0153020	1	OIL RETURN LINE ><11-13	
11	72425772	1	PIPE CLAMP	
12	72495349	1	RUBBER HOSE	
13	72479013	1	HOSE CLIP	
14	72439874	1	SEALING WASHER	
15	72436504	1	LOCK VALVE	
18	72479013	1	HOSE CLIP	



041342

Fendt

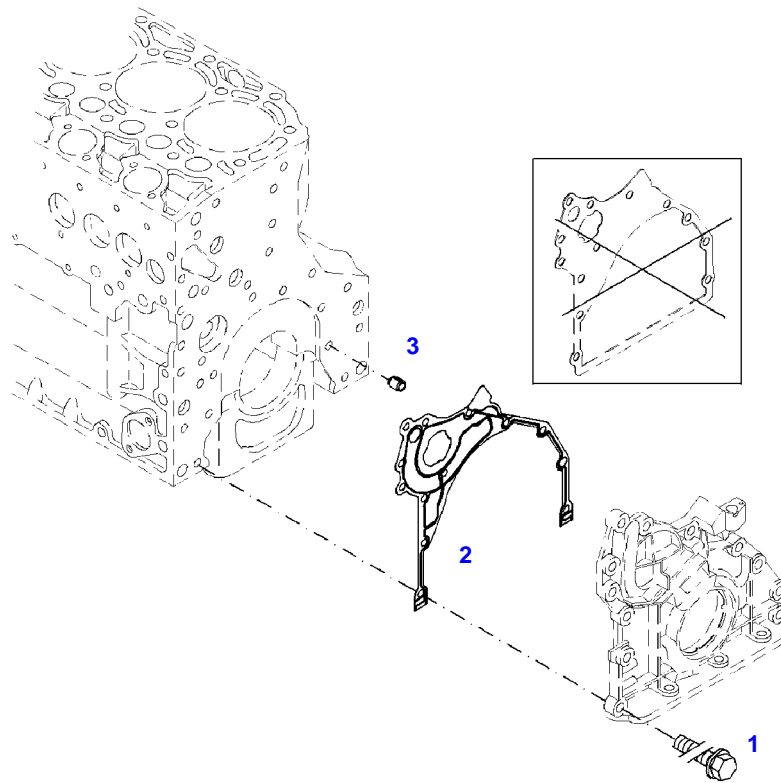
FENDT 513NA S4 (436/00101-05000) (WAM436XXX00F05001-99999)

F436105

FRONT COVER

Page01-0018

Item	Part Number	Qty	Description Comments
			INTEGRATED OIL PUMP
1	72630300	1	CRANKCASE END COVER INTEGRATED OIL PUMP ><2,3
2	72479487	1	SHAFT SEAL
3	72416228	8	COUNTERSUNK CAPSCREW M6X16



041308

Fendt

FENDT 513NA S4 (436/00101-05000) (WAM436XXX00F05001-99999)

F436105

FRONT COVER

Page01-0019

Item	Part Number	Qty	Description Comments	Technical Specification
FASTENINGS				
1	72605244	10	HEXAGONAL HEAD BOLT	M8X35
2	72486511	1	SEAL	
3	72325352	1	TENSIONER BUSHING	



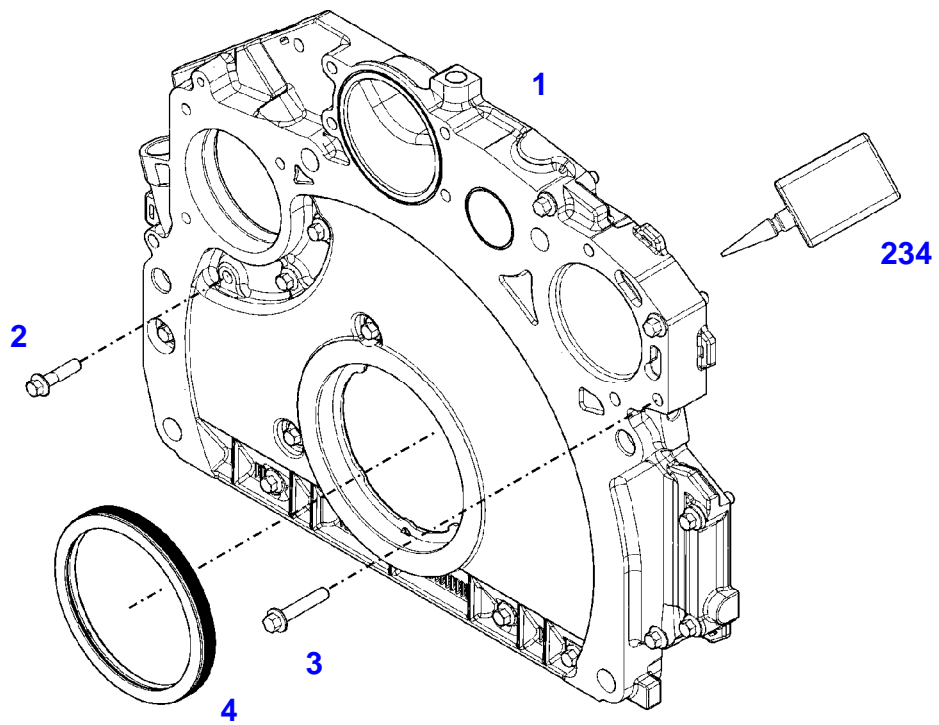
Suggest:

For more complete manuals. Please go to the home page.

<https://www.ebooklibonline.com>

If the above button click is invalid. Please download this document first, and then click the above link to download the complete manual.

Thank you so much for reading



041437

Item	Part Number	Qty	Description Comments	Technical Specification
			ENGINE NUMBER -->11776651 <--11805110 -->1208616	
1	ACP0153060	1	WHEEL BOX	
2	72605244	12	HEXAGONAL HEAD BOLT	M8X35
3	72325388	9	HEXAGONAL HEAD BOLT M8X45	M8X45
4	72479495	1	SHAFT SEAL	
234	72626246	1	SEALING COMPOUND	

<https://www.ebooklibonline.com>

Hello dear friend!

Thank you very much for reading.

Enter the link into your browser.

The full manual is available for immediate download.

<https://www.ebooklibonline.com>