

<b>Page Number</b>	<b>Page Title</b>	<b>Page Reference</b>
01-000-TOC	ENGINE, FUEL AND EXHAUST SYSTEM	01-000-TOC
02-000-TOC	AXLES	02-000-TOC
03-000-TOC	STEERING SYSTEM	03-000-TOC
04-000-TOC	DRIVE TRAIN SYSTEM	04-000-TOC
05-000-TOC	COMPRESSED AIR SYSTEM	05-000-TOC
06-000-TOC	HYDRAULIC SYSTEM	06-000-TOC
07-000-TOC	ELECTRICAL SYSTEM	07-000-TOC
08-000-TOC	CAB	08-000-TOC
09-000-TOC	AIR CONDITIONING AND HEATING SYSTEM	09-000-TOC
10-000-TOC	CHASSIS	10-000-TOC
11-000-TOC	WHEELS	11-000-TOC
12-000-TOC	IMPLEMENT LIFT SYSTEM FRONT	12-000-TOC
13-000-TOC	IMPLEMENT LIFT SYSTEM REAR	13-000-TOC
14-000-TOC	FRONT/REAR LOADERS	14-000-TOC
15-000-TOC	ACCESSORIES	15-000-TOC



Item	Part Number	Qty	Description Comments	Technical Specification
			<b>ENGINE NUMBER</b> --> 10401349	
	72437089	1	ENGINE PLEASE ORDER WITH ENGINE NO. ONLY !	TCD2012L044V
	72474242	1	REMANUFACTURED ENGINE	UNTIL ENGINE NUMBER 10766783
	72604534	1	REMANUFACTURED SHORT BLOCK ENGINE	
1	72436417	1	CRANKCASE ><2,3,5,7-14,18 <-- F400.200.210.010	
2	72416467	10	HEXAGONAL HEAD BOLT	
3	72344342	10	ADAPTER BUSH	
5	72315095	2	SEALING WASHER	DIN 7603 A14X20-CU
7	72325321	1	PLUG M22X1,5	
8	72429347	2	SCREW M14X1,5	M14X1,5
10	72416469	4	BEARING BUSHING	
11	72416470	1	BEARING BUSHING	
12	72325325	6	CORE HOLE PLUG	
13	72325326	3	CORE HOLE PLUG	
14	72315799	2	PLUG	DIN 7604 AM14X1,5-A3L
18	72431135	1	LOCKING PLUG	
19	72439854	2	GANG SHAFT	
20	72325339	4	BUSH	
21	72415943	2	THRUST WASHER	
22	72423137	2	HEXAGONAL HEAD BOLT M8X16	
23	72420773	1	LOCKING PART	
24	72436713	1	LINE	
30	72313743	1	THREADED PIN	DIN 913 M10X10-45H
185	72381391	1	THREADLOCKER	LOCTITE 243 10ML

**<https://www.ebooklibonline.com>**

Hello dear friend!

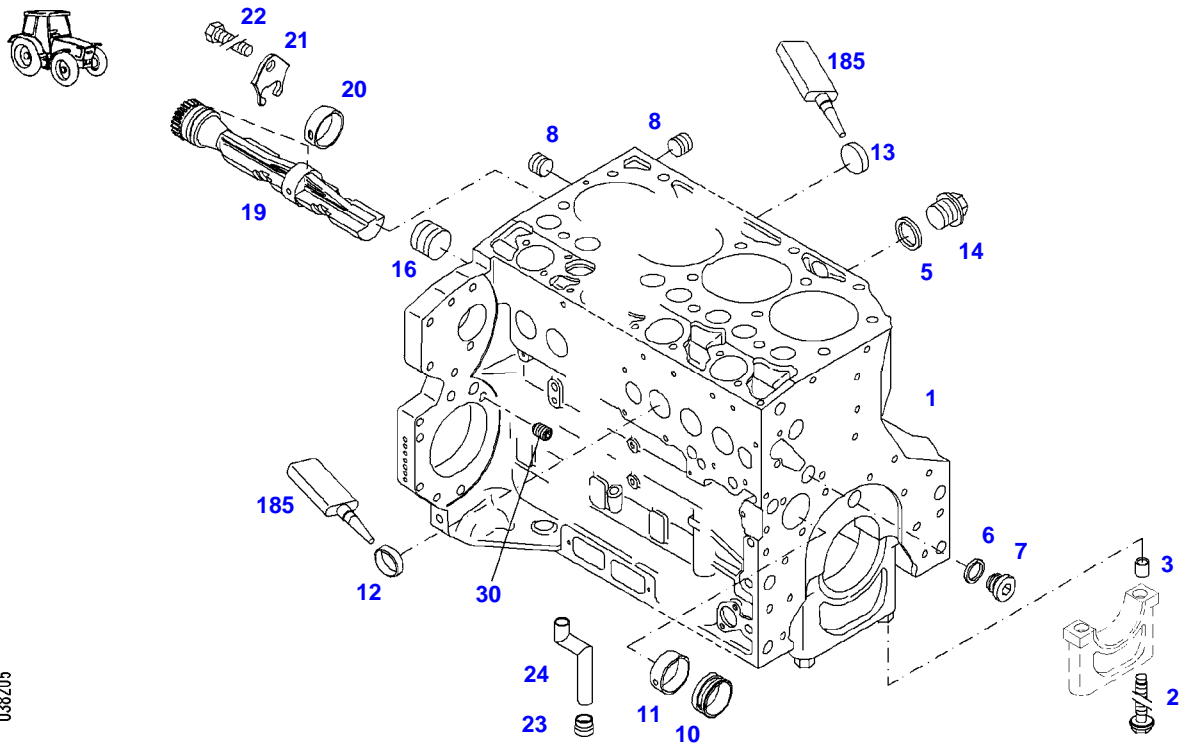
Thank you very much for reading.

Enter the link into your browser.

The full manual is available for immediate download.

**<https://www.ebooklibonline.com>**

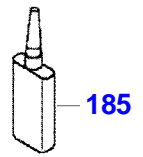
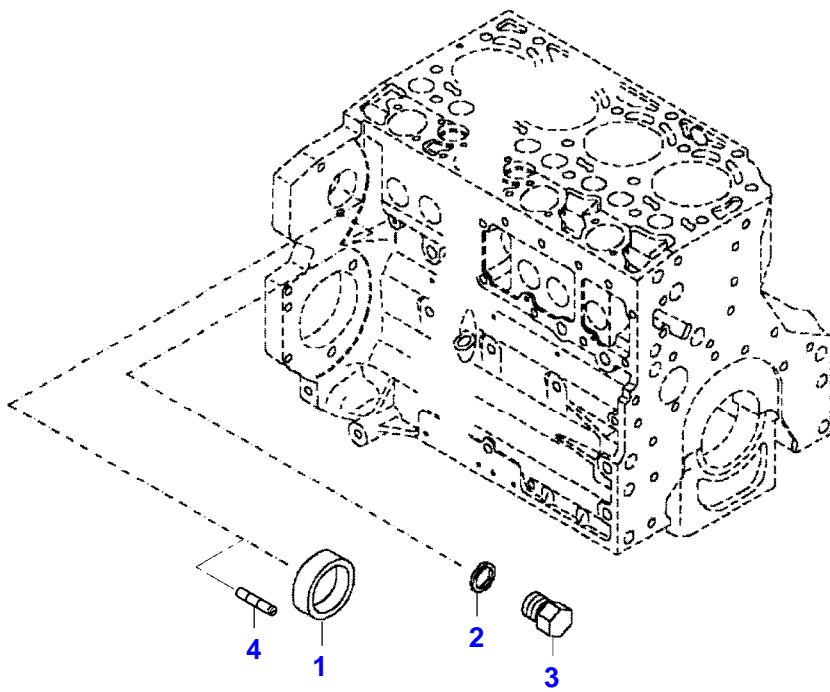
FENDT 310 VARIO (337/00101-99999)  
38205



038205

Item	Part Number	Qty	Description Comments	Technical Specification
			<b>ENGINE NUMBER</b> <-- 10401350	
	72437089	1	ENGINE PLEASE ORDER WITH ENGINE NO. ONLY !	TCD2012L044V
	72474242	1	REMANUFACTURED ENGINE ENG.NO. --> 10766783	UNTIL ENGINE NUMBER 10766783
	72609046	1	REMANUFACTURED ENGINE ENG.NO. <-- 10766784	FROM ENGINE NUMBER 10766784
	72604534	1	REMANUFACTURED SHORT BLOCK ENGINE	
1	72439843	1	CRANKCASE ><2,3,5-8,10-14,16,19-24 ENG.NO. --> 11152078	
	72495184	1	CRANKCASE ><2,3,5-8,10-14,16,19-24 ENG.NO. <-- 11152079	
2	72416467	10	HEXAGONAL HEAD BOLT	
3	72344342	10	ADAPTER BUSH	
5	72315095	2	SEALING WASHER	DIN 7603 A14X20-CU
6	72455567	1	SEALING WASHER	DIN 7603 D22X27-CU
7	72455559	1	PLUG SCREW	
8	72429347	2	SCREW	M14X1,5
10	72416469	4	BEARING BUSHING	
11	72416470	1	BEARING BUSHING	
12	72325325	6	CORE HOLE PLUG	
13	72325326	3	CORE HOLE PLUG	
14	72315799	2	PLUG	DIN 7604 AM14X1,5-A3L
16	72431135	1	LOCKING PLUG	
19	72439854	2	GANG SHAFT	
20	72325339	4	BUSH	
21	72415943	2	THRUST WASHER	
22	72423137	2	HEXAGONAL HEAD BOLT M8X16	
23	72420773	1	LOCKING PART	
24	72436713	1	LINE	
30	72313743	1	THREADED PIN	DIN 913 M10X10-45H
185	72381391	1	THREADLOCKER	LOCTITE 243 10ML

FENDT 310 VARIO (337/00101-99999)  
432327-M-1

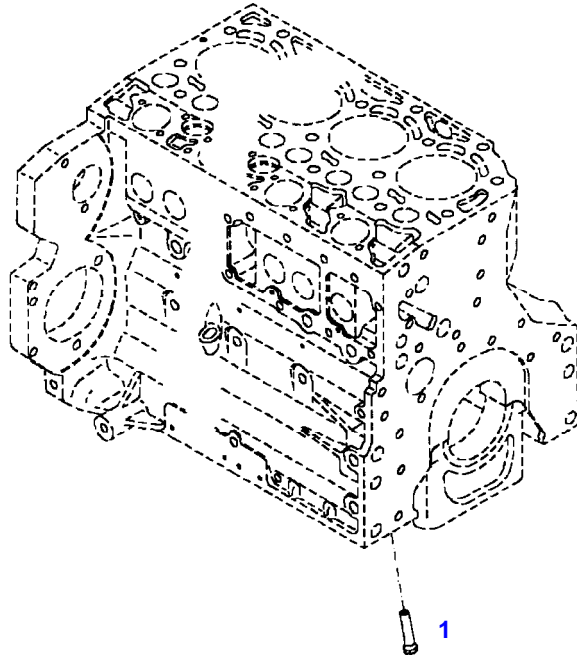


432327-M-1

Item	Part Number	Qty	Description Comments	Technical Specification
<b>BLANKING PARTS</b>				
1	72627515	1	CORE HOLE PLUG	
2	72315088	2	SEALING WASHER	DIN 7603 A10X13,5-CU
3	72323677	2	PLUG	
4	72631860	2	SLUG	
185	72325403	1	SAFE.LOCK AGENT	

FENDT 310 VARIO (337/00101-99999)  
30094

---



030004

---

Fendt

FENDT 310 VARIO (337/00101-99999)

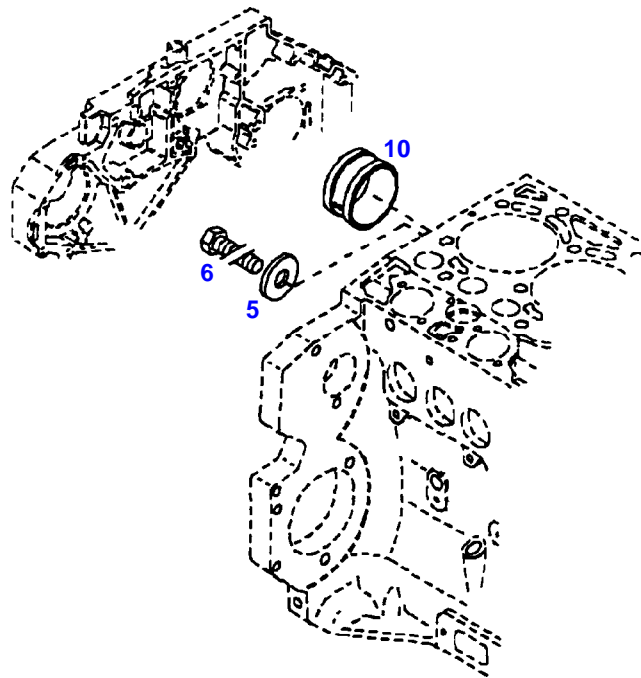
F337000

CRANKCASE

Page01-0004

---

Item	Part Number	Qty	Description Comments
			PISTON COOL.NOZZLE
1	72415140	4	PISTON COOLING JET



12574

---

Fendt

FENDT 310 VARIO (337/00101-99999)

F337000

CRANKCASE

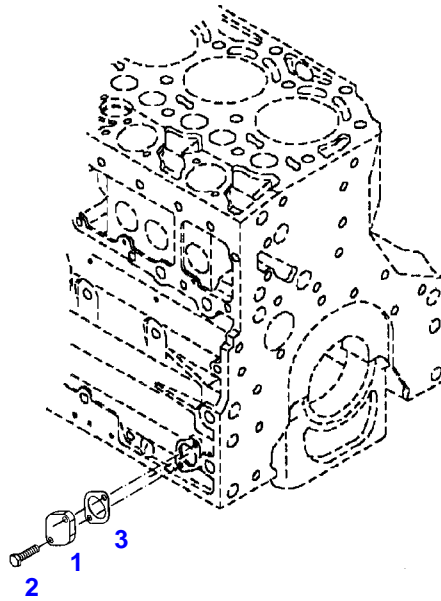
Page01-0005

---

Item	Part Number	Qty	Description Comments
<b>BLANKING PARTS</b>			
5	72415828	1	DISC
6	72426697	1	HEXAGONAL HEAD BOLT
10	72426698	1	BUSH

FENDT 310 VARIO (337/00101-99999)  
31896

---



96810

Fendt

FENDT 310 VARIO (337/00101-99999)

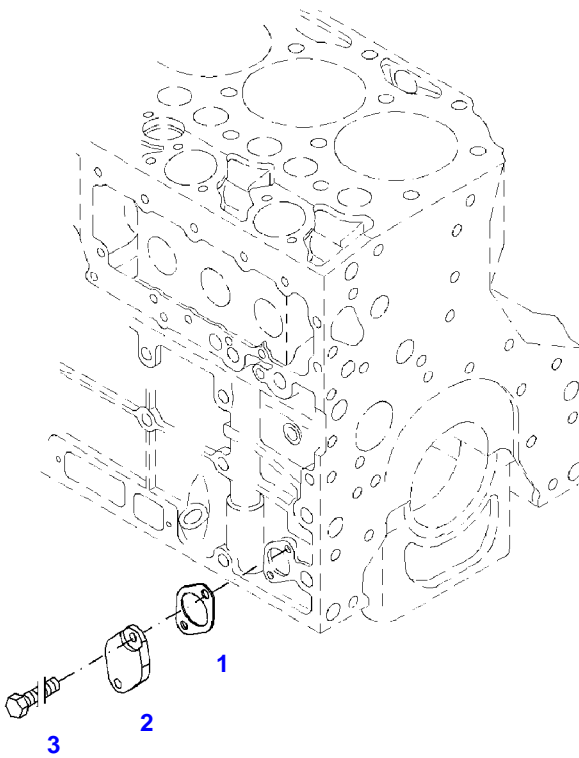
F337000

CRANKCASE

Page01-0006

Item	Part Number	Qty	Description Comments	Technical Specification
			<b>BLANKING PARTS</b> <b>ENGINE NUMBER</b> --> 10418642	
1	72326910	1	COVER NOT NEEDED WITH AIR BRAKE	
2	72415315	2	HEXAGONAL HEAD BOLT NOT NEEDED WITH AIR BRAKE	M8X20
3	72325401	1	SEAL	

FENDT 310 VARIO (337/00101-99999)  
41018

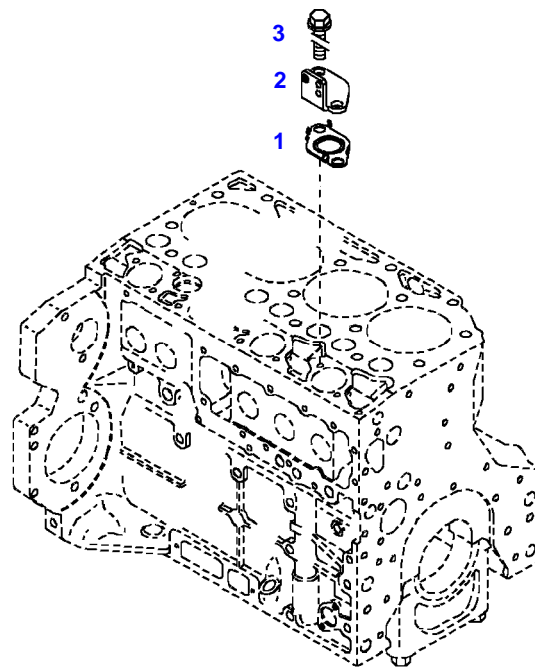


041018

Item	Part Number	Qty	Description Comments	Technical Specification
			<b>BLANKING PARTS ENGINE NUMBER &lt;-- 10418643</b>	
1	72325401	1	SEAL	
2	72439814	1	FLANGE NOT NEEDED WITH AIR BRAKE	
3	72374423	2	HEXAGONAL HEAD BOLT NOT NEEDED WITH AIR BRAKE	DIN 933 M8X20-10.9A4C

FENDT 310 VARIO (337/00101-99999)  
35315

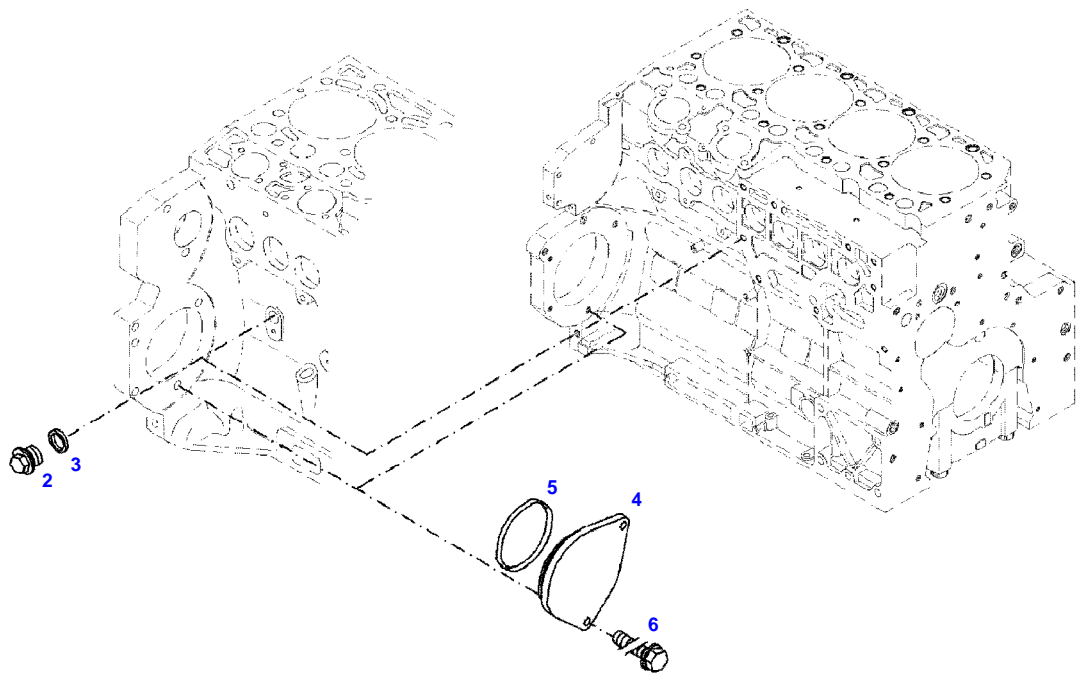
---



035315

Item	Part Number	Qty	Description Comments
<b>BLANKING PARTS</b>			
1	72490265	1	SEAL
2	72436408	1	COVER
3	72415878	2	HEXAGONAL HEAD BOLT M8X16

FENDT 310 VARIO (337/00101-99999)  
F51577

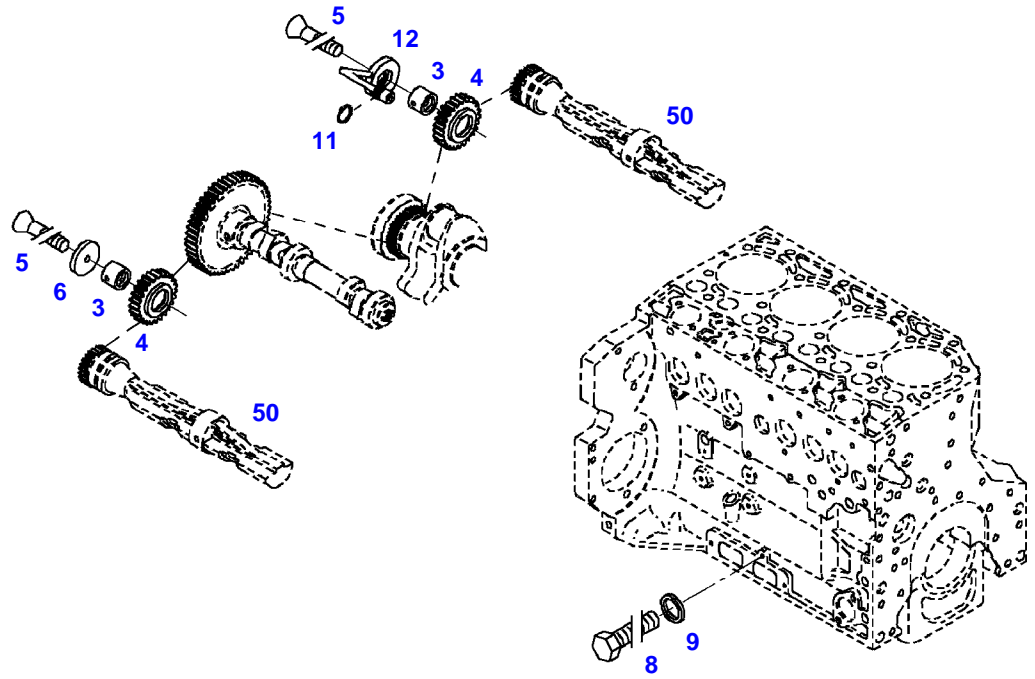


051577



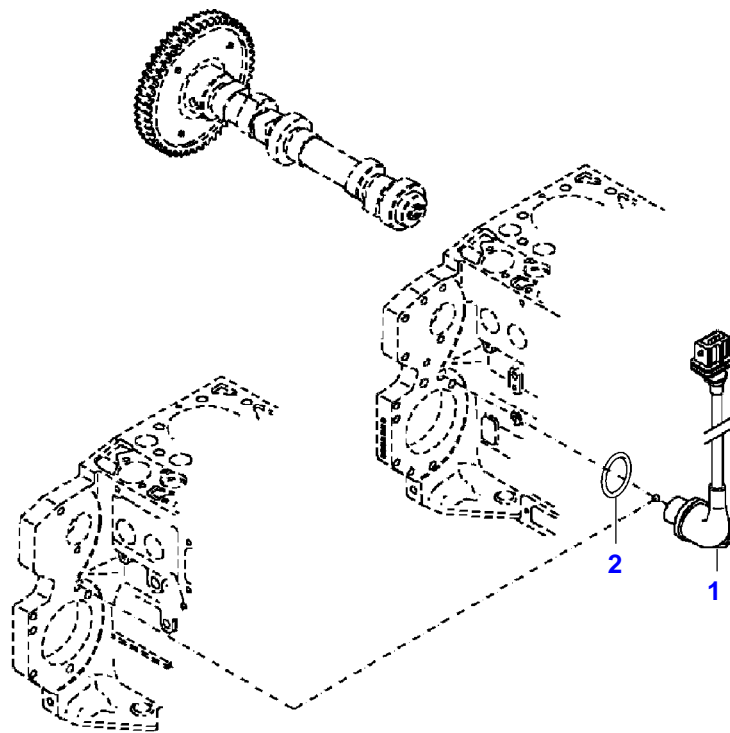
Item	Part Number	Qty	Description Comments	Technical Specification
<b>BLANKING PARTS</b>				
2	72315799	1	PLUG NOT NEEDED WITH AIR BRAKE	DIN 7604 AM14X1,5-A3L
3	72315094	1	SEALING WASHER NOT NEEDED WITH AIR BRAKE	DIN 7603 A14X18-CU
4	72431648	1	COVER NOT NEEDED WITH AIR BRAKE	
5	72416472	1	SEAL 96X4MM NOT NEEDED WITH AIR BRAKE	
6	72438057	2	HEXAGONAL HEAD BOLT NOT NEEDED WITH AIR BRAKE	M10X20

FENDT 310 VARIO (337/00101-99999)  
33867



033867

Item	Part Number	Qty	Description Comments	Technical Specification
3	72415940	2	PIVOT	
4	72415941	2	GEAR WHEEL	
5	72423136	2	COUNTERSUNK CAPSCREW M8X45	
6	72415942	1	FIXING SHIM	
8	72315644	2	HEXAGONAL HEAD BOLT	DIN 933 M8X10-8.8A3L
9	72315087	2	SEALING WASHER	DIN 7603 A8X14-CU
11	72423138	1	SEAL 7X1,5MM	
12	72415945	1	PIVOT	
50			SEE CRANKCASE	



431755-M-1

---

Fendt

FENDT 310 VARIO (337/00101-99999)

F337000

TRANSMITTER

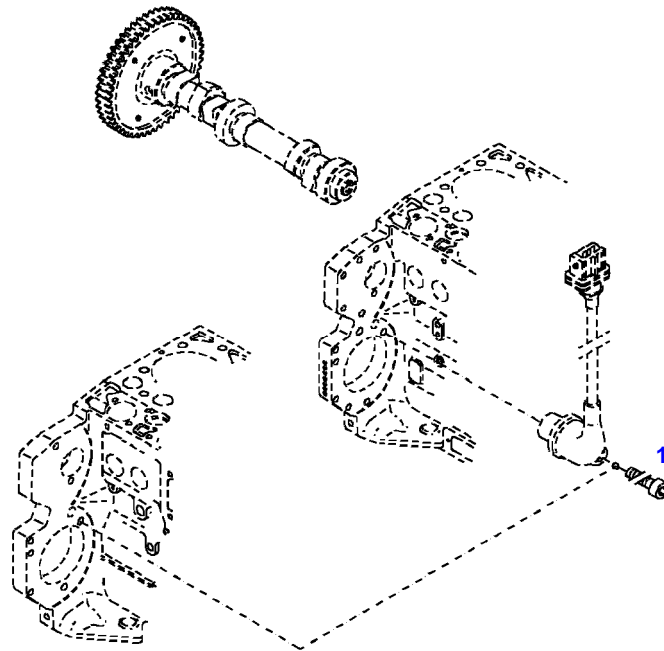
Page01-0011

---

Item	Part Number	Qty	Description Comments
			ENGINE SPEED EDC
1	72626758	1	TRANSMITTER
2	72628348	1	O-RING

FENDT 310 VARIO (337/00101-99999)  
35317

---



035317

---

Fendt

FENDT 310 VARIO (337/00101-99999)

F337000

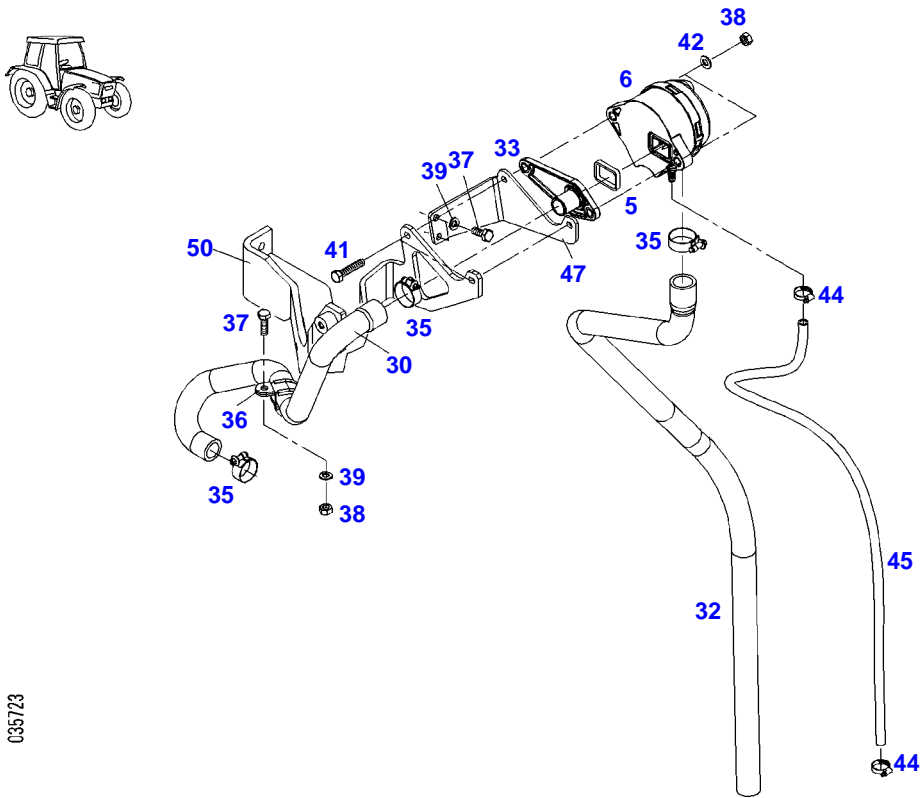
TRANSMITTER

Page01-0012

---

Item	Part Number	Qty	Description Comments	Technical Specification
			ENGINE SPEED FASTENINGS	
1	72315460	1	SOCKET HEAD BOLT	DIN 912 M6X16-8.8

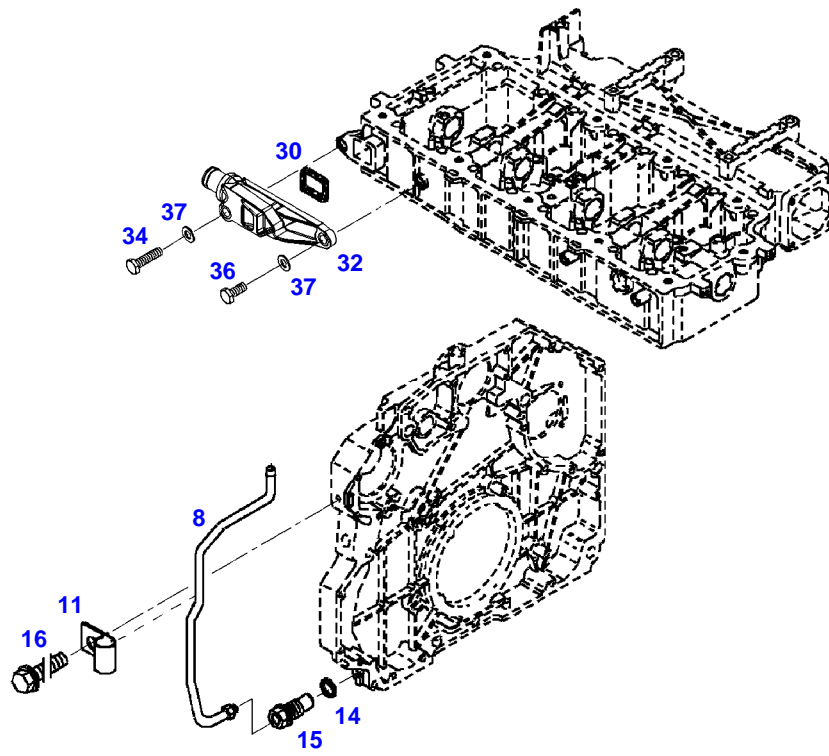
FENDT 310 VARIO (337/00101-99999)  
35723



035723

Item	Part Number	Qty	Description Comments	Technical Specification
5	72455795	1	SEAL	
6	72437250	1	BREATHER ><5	
30	72437818	1	HOSE LINE	
32	72437755	1	HOSE	
33	72437633	1	CONNECTING FLANGE	
35	72311167	3	HOSE CLIP	
36	72373546	1	PIPE CLAMP	
37	72315650	3	HEXAGONAL HEAD BOLT	DIN 933 M8 X 20-8.8A3L
38	72313268	3	NUT	DIN 934 M8-8A3L
39	72315053	3	SPLIT WASHER	FWN 65208-8-A3L
41	72315663	2	HEXAGONAL HEAD BOLT	DIN 933 M8X40-8.8A3L
42	72311788	2	DISC	DIN 125-8,4-ST.A3L
44	72438345	2	HOSE CLIP	
45	72450297	1	PRESSURE HOSE 1X 640 MM CUT TO LENGTH	L=800 FWN 66041-M6
47	72439187	1	RETAINER	
50			SEE CHASSIS CONSOLE	

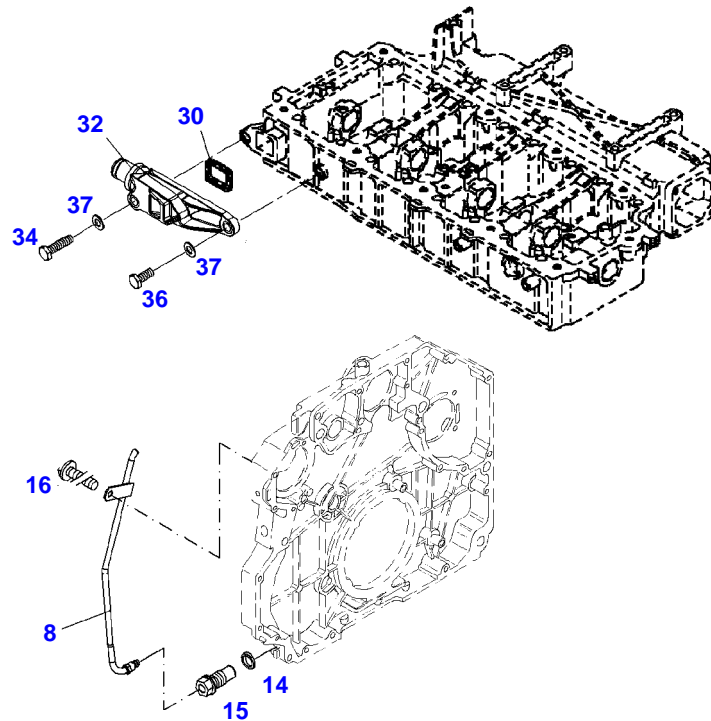
FENDT 310 VARIO (337/00101-99999)  
40924



040924

Item	Part Number	Qty	Description Comments	Technical Specification
			<b>OIL RETURN TUBE ENGINE NUMBER --&gt; 10222380</b>	
8	72438014	1	OIL RETURN LINE	
11	72425772	1	PIPE CLAMP	
14	72315101	1	SEALING WASHER	DIN 7603 A22X27-CU
15	72436504	1	LOCK VALVE	
16	72325300	1	HEXAGONAL HEAD BOLT M6X12	M6X12
30	72455795	1	SEAL	
32	72455520	1	ADAPTER	
34	72315668	1	HEXAGONAL HEAD BOLT	DIN 933 M8X50-8.8A3L
36	72315650	1	HEXAGONAL HEAD BOLT	DIN 933 M8 X 20-8.8A3L
37	72311788	2	DISC	DIN 125-8,4-ST.A3L

FENDT 310 VARIO (337/00101-99999)  
40923

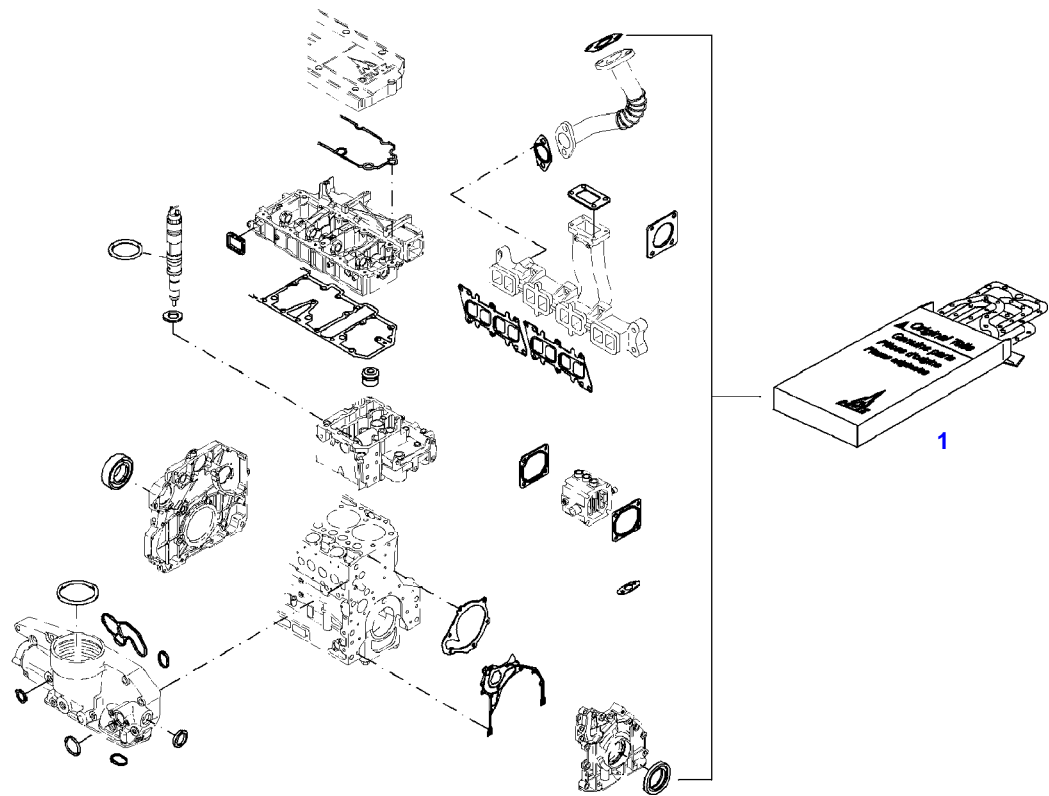


040923

Item	Part Number	Qty	Description Comments	Technical Specification
			OIL RETURN TUBE ENGINE NUMBER <-- 10222381	
8	72438014	1	OIL RETURN LINE	
14	72315101	1	SEALING WASHER	DIN 7603 A22X27-CU
15	72436504	1	LOCK VALVE	
16	72325453	1	HEXAGONAL HEAD BOLT M8X50	
30	72455795	1	SEAL	
32	72455520	1	ADAPTER	
34	72315668	1	HEXAGONAL HEAD BOLT	DIN 933 M8X50-8.8A3L
36	72315650	1	HEXAGONAL HEAD BOLT	DIN 933 M8 X 20-8.8A3L
37	72311788	2	DISC	DIN 125-8,4-ST.A3L

FENDT 310 VARIO (337/00101-99999)  
41307

041307



---

Fendt

FENDT 310 VARIO (337/00101-99999)

F337000

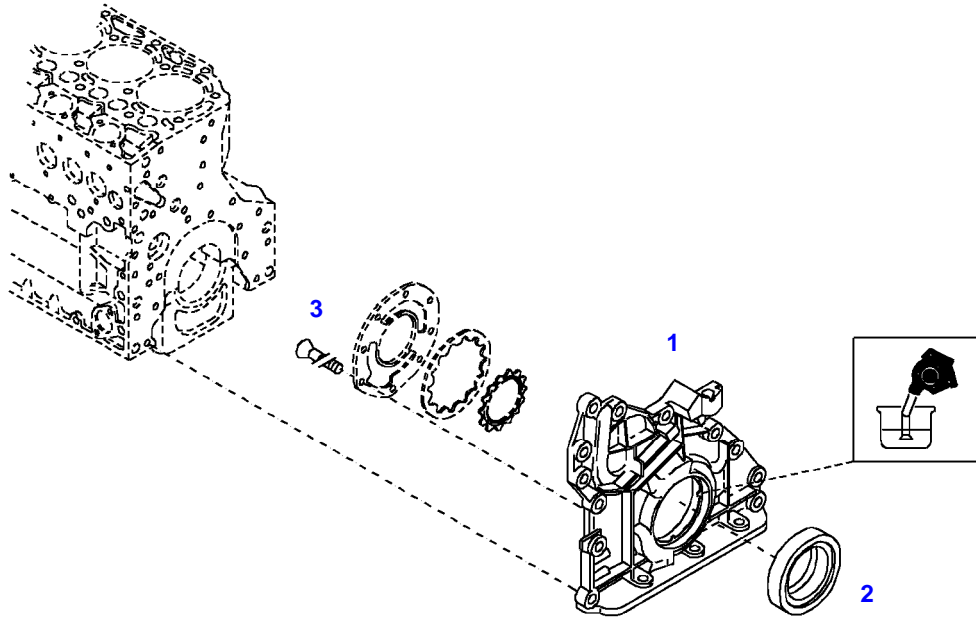
SET OF GASKETS

Page01-0016

---

Item	Part Number	Qty	Description Comments
			<b>ENGINE</b>
1	72487657	1	SEAL KIT WITHOUT CYLINDER HEAD GASKET

FENDT 310 VARIO (337/00101-99999)  
40475



040475

Item	Part Number	Qty	Description Comments
			<b>INTEGRATED OIL PUMP ENGINE NUMBER --&gt; 11017352</b>
1	72492235	1	CRANKCASE END COVER INTEGRATED OIL PUMP ><2,3
2	72479487	1	SHAFT SEAL
3	72416228	8	COUNTERSUNK CAPSCREW M6X16



**Suggest:**

**For more complete manuals. Please go to the home page.**

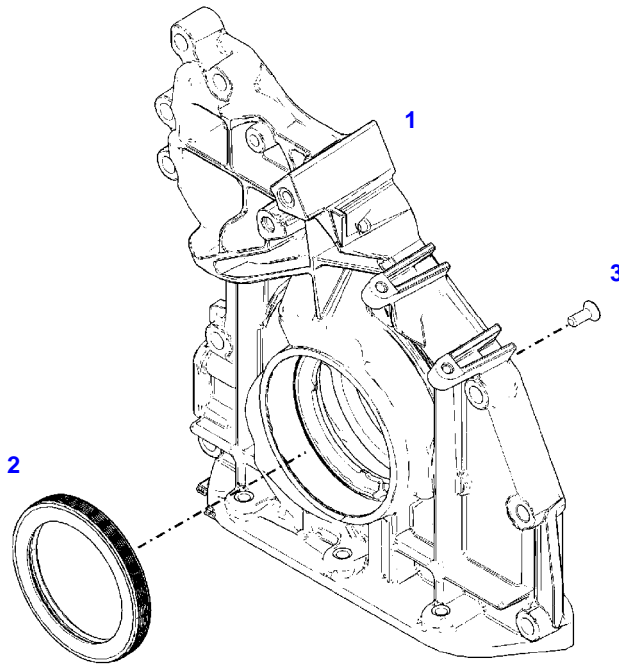
**<https://www.ebooklibonline.com>**

**If the above button click is invalid. Please download this document first, and then click the above link to download the complete manual.**

**Thank you so much for reading**

FENDT 310 VARIO (337/00101-99999)  
41342

---



041342

Item	Part Number	Qty	Description Comments
			INTEGRATED OIL PUMP ENGINE NUMBER <-- 11017353
1	72630300	1	CRANKCASE END COVER INTEGRATED OIL PUMP ><2,3
2	72479487	1	SHAFT SEAL
3	72416228	8	COUNTERSUNK CAPSCREW M6X16

**<https://www.ebooklibonline.com>**

Hello dear friend!

Thank you very much for reading.

Enter the link into your browser.

The full manual is available for immediate download.

**<https://www.ebooklibonline.com>**