

**TABLE OF CONTENT**

<b>Page Number</b>	<b>Page Title</b>	<b>Page Reference</b>
01-000-TOC	ENGINE, FUEL AND EXHAUST SYSTEM	01-000-TOC
02-000-TOC	AXLES	02-000-TOC
03-000-TOC	STEERING SYSTEM	03-000-TOC
04-000-TOC	DRIVE TRAIN SYSTEM	04-000-TOC
05-000-TOC	COMPRESSED AIR SYSTEM	05-000-TOC
06-000-TOC	HYDRAULIC SYSTEM	06-000-TOC
07-000-TOC	ELECTRICAL SYSTEM	07-000-TOC
08-000-TOC	CAB	08-000-TOC
09-000-TOC	AIR CONDITIONING AND HEATING SYSTEM	09-000-TOC
10-000-TOC	CHASSIS	10-000-TOC
11-000-TOC	WHEELS	11-000-TOC
12-000-TOC	IMPLEMENT LIFT SYSTEM FRONT	12-000-TOC
13-000-TOC	IMPLEMENT LIFT SYSTEM REAR	13-000-TOC
14-000-TOC	LINKAGE	14-000-TOC
15-000-TOC	FRONT/REAR LOADERS	15-000-TOC
16-000-TOC	PRECISION FARMING SYSTEMS	16-000-TOC
17-000-TOC	ACCESSORIES	17-000-TOC

Page Number	Page Title	Page Reference
01-0001	ENGINE ASSEMBLIES	1968872
01-0002	ENGINE ASSEMBLIES	1968873
01-0003	CYLINDER BLOCK	1968874
01-0004	TIMING GEARS AND HOUSING	1968875
01-0005	V-BELT	1878981
01-0006	BELT TENSIONER	1968876
01-0007	TENSION ROLLER - ALTERNATOR	1870667
01-0008	FLYWHEEL AND HOUSING	1968877
01-0009	CRANKSHAFT AND PISTONS - UP TO ENGINE S/N B69999	1968878
01-0010	CRANKSHAFT AND PISTONS - FROM ENGINE S/N C50000/JLD291001	1968879
01-0011	CAMSHAFT AND VALVE MECHANISM	1968880
01-0012	CYLINDER HEAD	1968881
01-0013	VALVE ROCKER COVER - UP TO ENGINE SERIAL NUMBER B65264	1968882
01-0014	VALVE ROCKER COVER - STARTING FROM ENGINE SERIAL NUMBER B65265/JLD291001	1968883
01-0015	INTAKE MANIFOLD	1968884
01-0016	TURBOCHARGER AND EXHAUST MANIFOLD	1968885
01-0017	EXHAUST GAS RECIRCULATION (EGR) - UP TO ENGINE SERIAL NUMBER B64865	1968886
01-0018	EXHAUST GAS RECIRCULATION (EGR) - ENGINE SERIAL NUMBER RANGE B64866 - C58769	1968887
01-0019	EXHAUST GAS RECIRCULATION (EGR) - STARTING FROM ENGINE SERIAL NUMBER C58770	1968888
01-0020	OIL PUMP AND SUMP	1968889
01-0021	OIL COOLER AND FILTER	1968890
01-0022	CLOSED CRANKCASE VENTILATION (CCV)	1968891
01-0023	CRANKCASE VENTILATION	1870688
01-0024	COOLANT PUMP AND THERMOSTAT	1968892
01-0025	FUEL INJECTION SYSTEM	1968893
01-0026	FUEL FILTERS	1968894
01-0027	ELECTRONIC ENGINE MANAGEMENT	1968895
01-0028	ELECTRONIC ENGINE MANAGEMENT CLAMPING PARTS	1870693
01-0029	STARTER MOTOR	1968896
01-0030	ENGINE OVERHAUL PARTS	1968897
01-0031	SPECIAL OVERHAUL PARTS	1968898
01-0032	ENGINE MOUNTINGS	1870665
01-0033	BULKHEAD	1871958
01-0034	AIR FILTER - INTAKE HOSE	1871959
01-0035	BOOST INTERCOOLING	1870822
01-0036	WATER COOLED RADIATOR	1871327
01-0037	WATER COOLED RADIATOR - COOL. WATER PIPING	1871363
01-0038	COOL. WATER PIPING	1872238
01-0039	COOL. WATER PIPING	1878824
01-0040	FUEL TANK	1871785
01-0041	FUEL LINES	1872222
01-0042	EXHAUST AFTER-TREATMENT TANK ADBLUE	1877496
01-0043	EXHAUST AFTER-TREATMENT SUPPLY UNIT	1877948
01-0044	EXHAUST AFTER-TREATMENT CATHAL. CONVERTER	1872147
01-0045	EXHAUST AFTERTREATMENT	1968899
01-0046	EXHAUST AFTER-TREATMENT PIPING	1872241
01-0047	EXHAUST END PIPE	1872118
01-0048	FAN WITH DRIVE	1870748
01-0049	ENGINE PRE-HEATER	1879311



**<https://www.ebooklibonline.com>**

Hello dear friend!

Thank you very much for reading.

Enter the link into your browser.

The full manual is available for immediate download.

**<https://www.ebooklibonline.com>**

Fendt

FENDT 310 S4 (347/00101-05000) (WAM347XXX00F05001-99999)

F347000

ENGINE ASSEMBLIES

Page01-0001

Item	Part Number	Qty	Description Comments	Technical Specification
1	V834477319	1	ENGINE 97/2100 (KW/RPM)	44 AWF
2	864477319V	1	LONG BLOCK ENGINE	44 AWF
3	864477319X	1	SHORT BLOCK ENGINE	44 AWF
4	V837079921	1	LABEL ENGINE TYPE PLATE	

FENDT 310 S4 (347/00101-05000) (WAM347XXX00F05001-99999)  
AP\_ENGAS\_4CYL

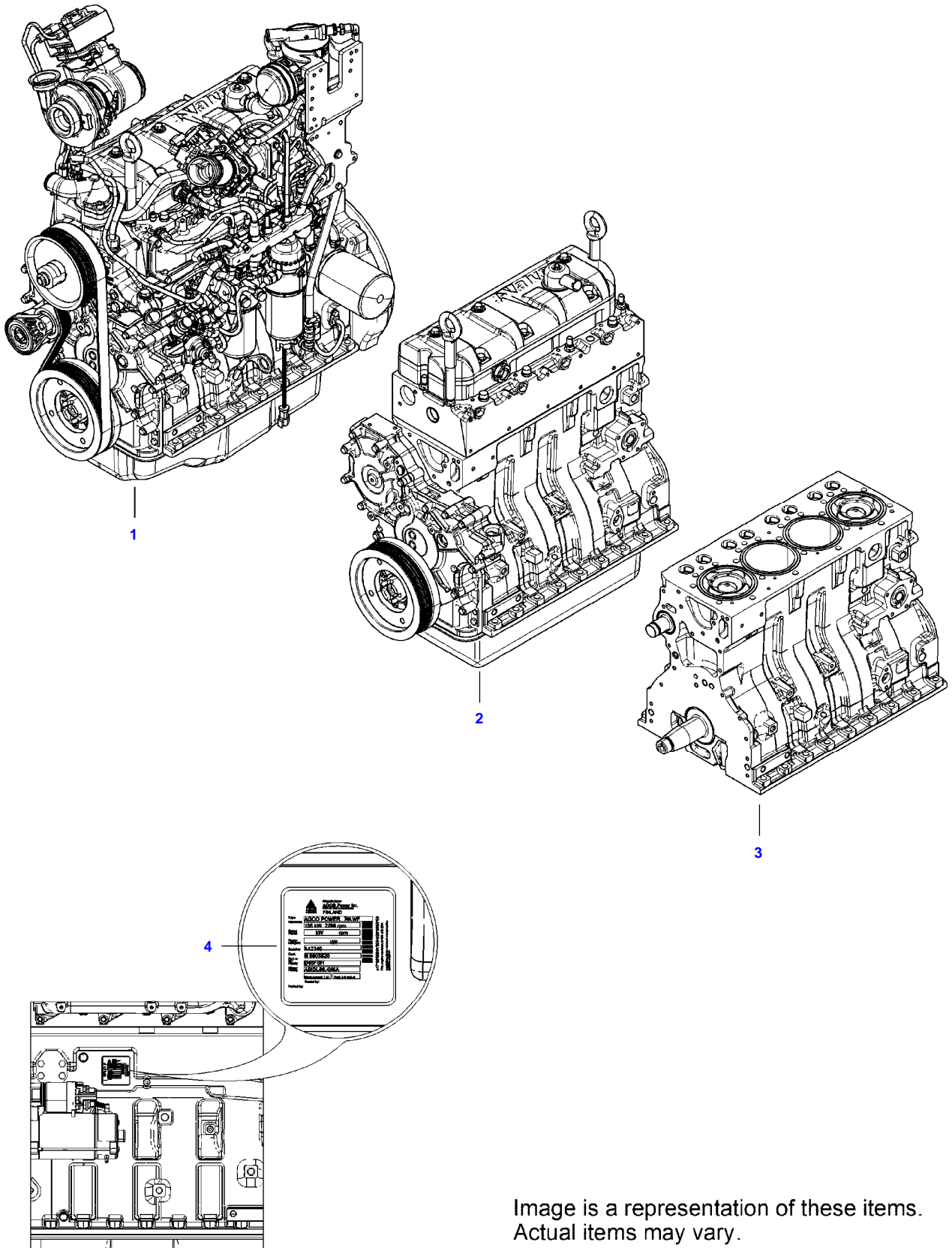


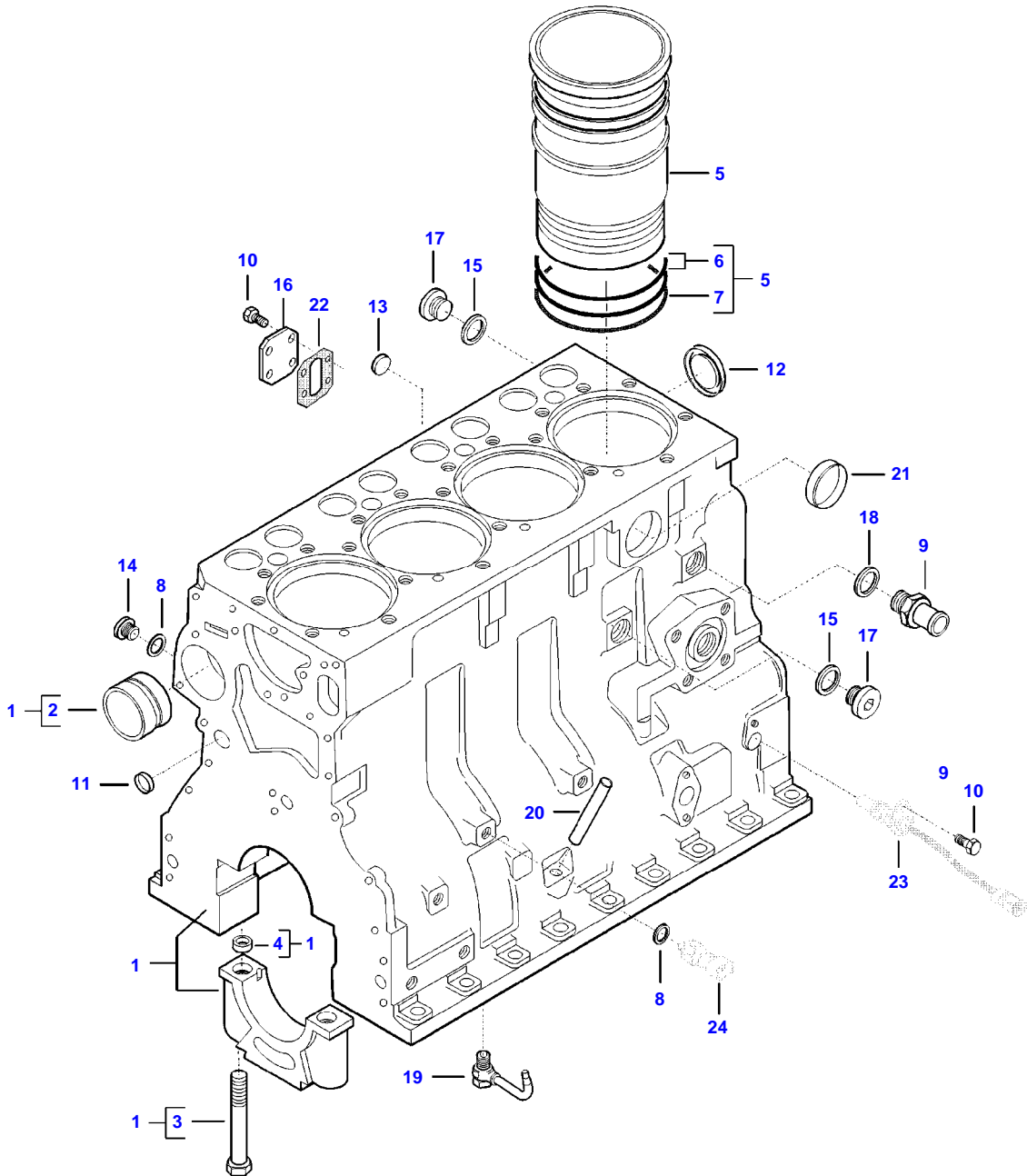
Image is a representation of these items.  
Actual items may vary.

**ENGINE ASSEMBLIES**

<b>Item</b>	<b>Part Number</b>	<b>Qty</b>	<b>Description Comments</b>	<b>Technical Specification</b>
1	V834477759	1	ENGINE	44 AWF
2	864491879V	1	LONG BLOCK ENGINE	44 AWF
3	864491664X	1	SHORT BLOCK ENGINE	44 AWF
4	V837079921	1	LABEL ENGINE TYPE PLATE	

FENDT 310 S4 (347/00101-05000) (WAM347XXX00F05001-99999)  
AP1B1442

AP1B1442

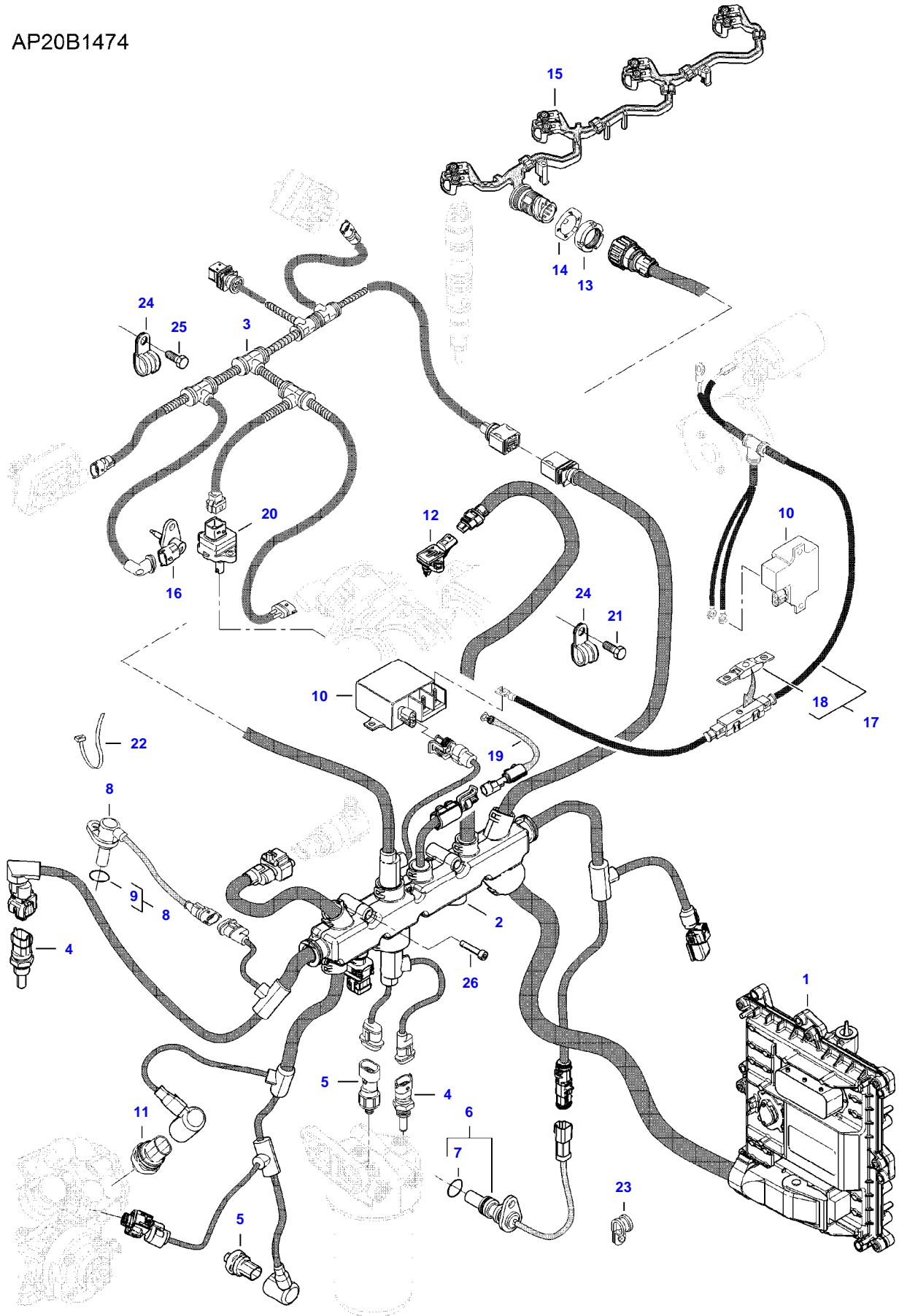


## CYLINDER BLOCK

Item	Part Number	Qty	Description Comments
1	V836773437	1	CYLINDER BLOCK
2	V836866069	1	CAMSHAFT BEARING BUSHING (1)
3	V835329030	10	HEX CAP SCREW (1)
4	V836214478	8	GUIDE SLEEVE (1)
5	V836673191	4	LINER
6	V836647502	8	CYLINDER LINER O-RING (5) [B]
7	V836647503	4	CYLINDER LINER O-RING (5) [B]
8	V615871016	5	SEALING WASHER [B]
9	V836119837	1	HOSE COUPLER
10	V528801362	5	HEX CAP SCREW
11	V640016016	4	CUP PLUG [B]
12	V836529872	1	PLUG
13	V640016018	2	CUP PLUG
14	V640325110	4	SCREW PLUG
15	V615881822	2	SEALING WASHER [B]
16	V836866957	1	COVER
17	V640325018	2	PLUG
18	V615881822	1	SEALING WASHER [B]
19	V837074224	4	PISTON COOLING JET
20	V836666910	1	OIL DIPSTICK GUIDE PIPE
21	V640016040	1	CUP PLUG
22	V836866958	1	GASKET [B]
23		1	SEE PAGE 01-0027
24		1	SEE PAGE 01-0027 [B] INCLUDED IN COMPLETE ENGINE GASKET KIT 2

FENDT 310 S4 (347/00101-05000) (WAM347XXX00F05001-99999)  
AP20B1474

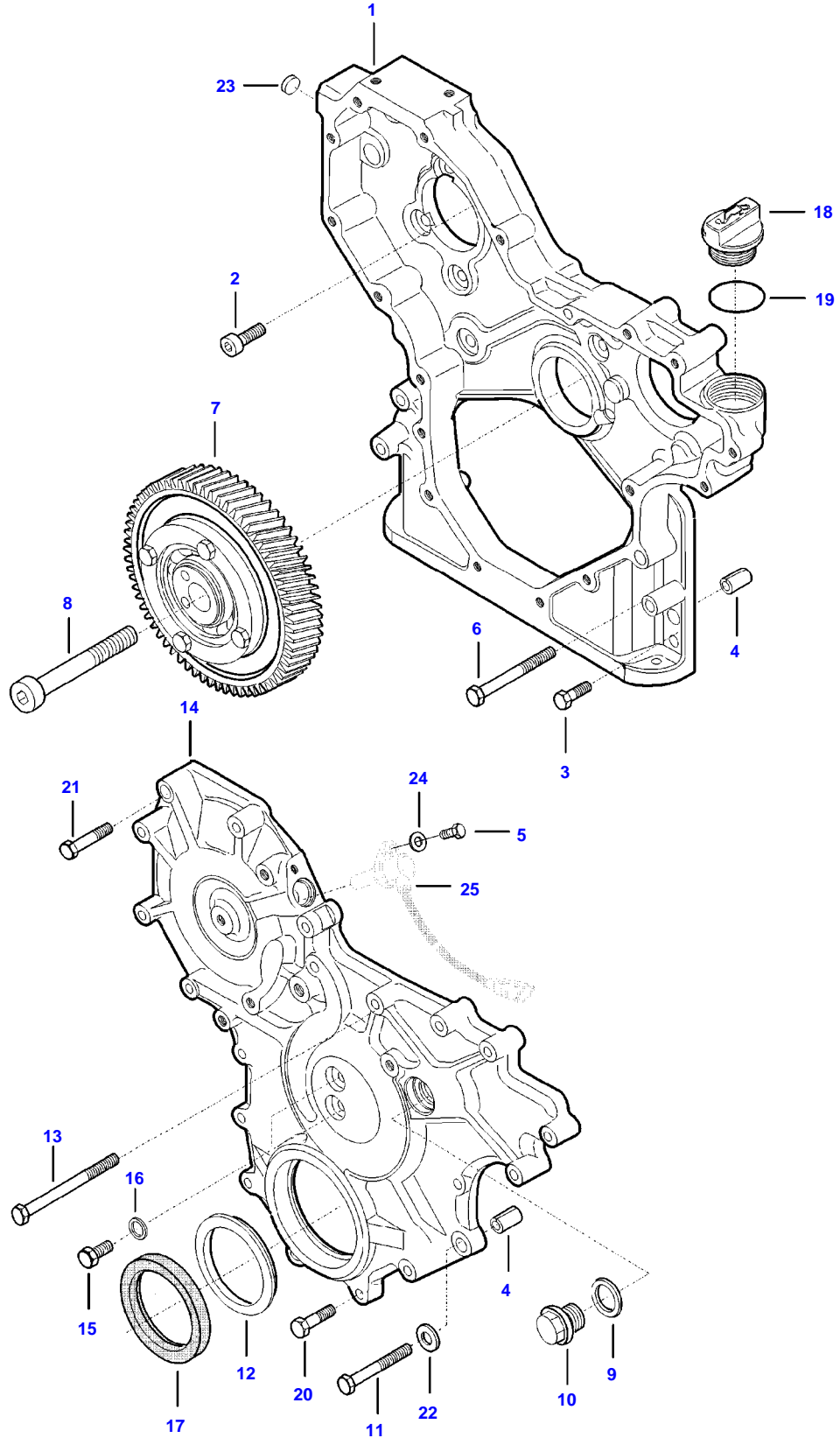
AP20B1474



Item	Part Number	Qty	Description Comments
1	V837074863	1	ENGINE CONTROL UNIT
2	V837084994	1	ENGINE WIRE HARNESS
3	V837084227	1	ENGINE WIRE HARNESS
4	V836667732	2	TEMPERATURE SENSOR
5	V837070201	2	PRESSURE SENSOR
6	V837069150	1	CRANKSHAFT SPEED SENSOR
7	V614601524	1	O-RING (6)
8	V837070189	1	SPEED SENSOR
9	V614601718	1	O-RING (8)
10	V837069047	2	RELAY
11	V837070209	1	PRESSURE SENSOR
12	V837084326	1	BOOST PRESSURE SENSOR
13	V837073921	1	LOCKING RING
14	V837073922	1	LOCKING PLATE
15	V837074692	1	ENGINE WIRE HARNESS
16	V837074507	1	TEMPERATURE SENSOR
17	V837073596	1	WIRE
18	V836662501	1	FUSE (17)
19	V837073594	1	WIRE
20	V837074737	1	MASS AIR FLOW SENSOR (MAF)
21	V528800752	1	HEX CAP SCREW
22	V651754720	10	CABLE TIE
23	V602060610	1	RETAINER CLAMP
24	V602069813	2	RETAINER CLAMP
25	V528801052	2	HEX CAP SCREW
26	V581804252	2	HEX SOCKET SCREW

FENDT 310 S4 (347/00101-05000) (WAM347XXX00F05001-99999)  
AP2F1871

AP2F1871

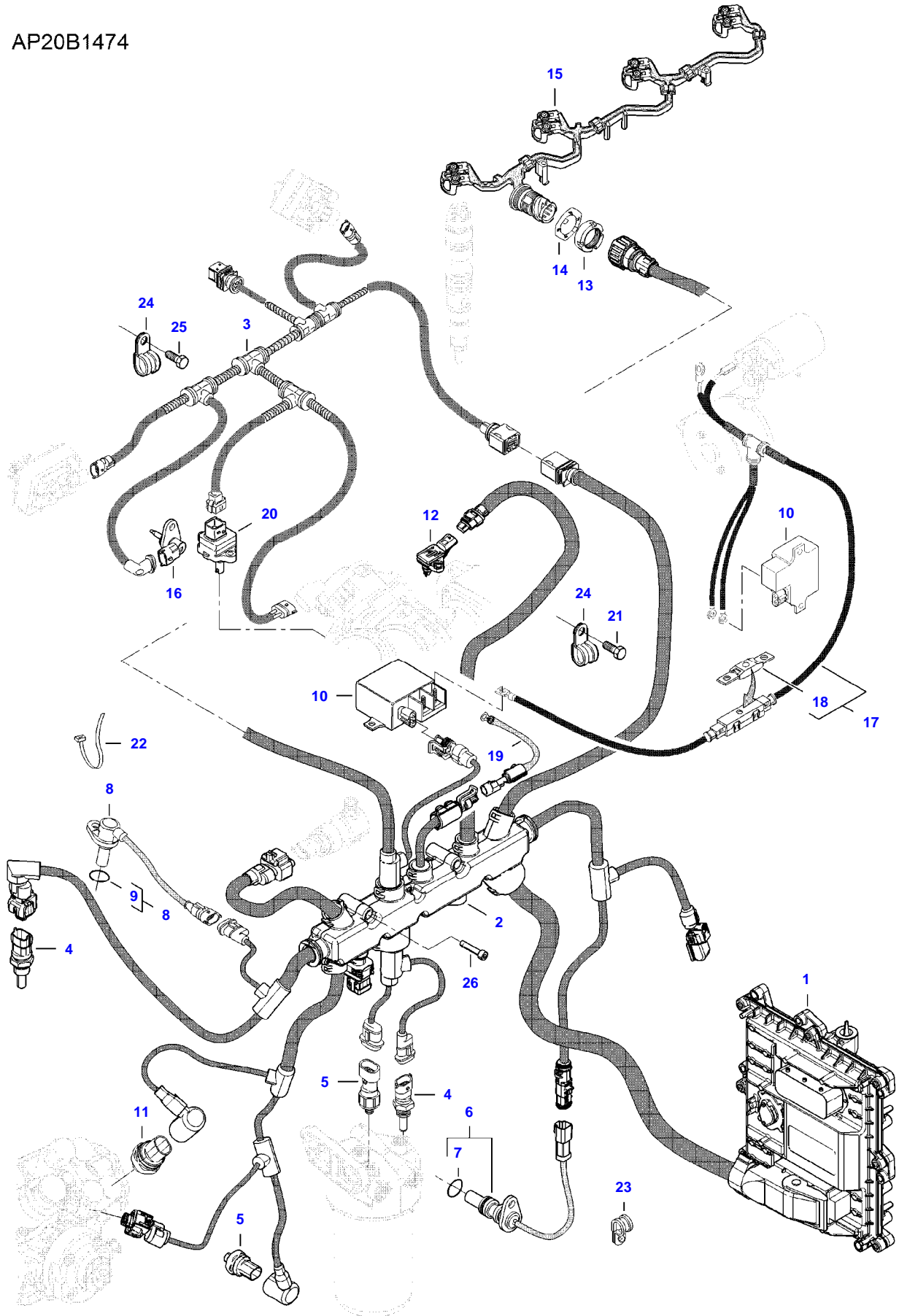


## TIMING GEARS AND HOUSING

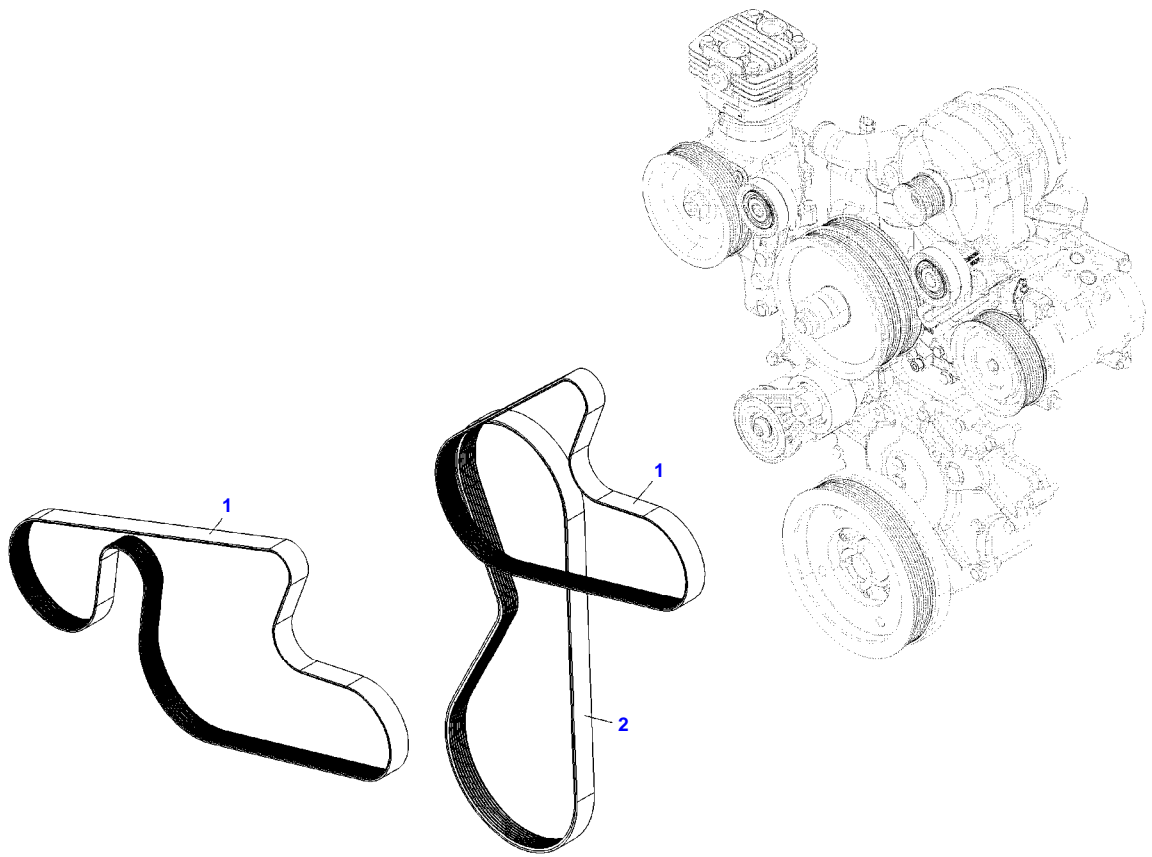
Item	Part Number	Qty	Description Comments
1	V837074705	1	TIMING GEAR CASE
2	V581804602	10	HEX SOCKET SCREW
3	V528801402	2	HEX CAP SCREW
4	V598359850	3	PIN
5	V528801062	1	HEX CAP SCREW
6	V529801470	3	HEX CAP SCREW
7	V837073583	1	IDLER GEAR
8	V581705910	1	HEX SOCKET SCREW
9	V615882227	1	SEALING WASHER [B]
10	V640045022	1	PLUG
11	V529801520	1	HEX CAP SCREW
12	V836855636	1	SHIELD
13	V529801540	1	HEX CAP SCREW
14	V837074707	1	GEAR HOUSING FRONT COVER
15	V528801382	2	HEX CAP SCREW
16	V615870814	2	SEALING WASHER [B]
17	V836840883	1	CRANKSHAFT SEAL [B]
18	V837081106	1	OIL FILLER CAP
19	V614603540	1	O-RING [B]
20	V528801410	7	HEX CAP SCREW
21	V529801440	10	HEX CAP SCREW
22	V836120989	1	WASHER
23	V640016016	1	CUP PLUG
24	V500150642	1	WASHER
25		1	SEE PAGE 01-0027 [B] INCLUDED IN COMPLETE ENGINE GASKET KIT 2

FENDT 310 S4 (347/00101-05000) (WAM347XXX00F05001-99999)  
AP20B1474

AP20B1474



Item	Part Number	Qty	Description Comments
1	V837074863	1	ENGINE CONTROL UNIT
2	V837084994	1	ENGINE WIRE HARNESS
3	V837084227	1	ENGINE WIRE HARNESS
4	V836667732	2	TEMPERATURE SENSOR
5	V837070201	2	PRESSURE SENSOR
6	V837069150	1	CRANKSHAFT SPEED SENSOR
7	V614601524	1	O-RING (6)
8	V837070189	1	SPEED SENSOR
9	V614601718	1	O-RING (8)
10	V837069047	2	RELAY
11	V837070209	1	PRESSURE SENSOR
12	V837084326	1	BOOST PRESSURE SENSOR
13	V837073921	1	LOCKING RING
14	V837073922	1	LOCKING PLATE
15	V837074692	1	ENGINE WIRE HARNESS
16	V837074507	1	TEMPERATURE SENSOR
17	V837073596	1	WIRE
18	V836662501	1	FUSE (17)
19	V837073594	1	WIRE
20	V837074737	1	MASS AIR FLOW SENSOR (MAF)
21	V528800752	1	HEX CAP SCREW
22	V651754720	10	CABLE TIE
23	V602060610	1	RETAINER CLAMP
24	V602069813	2	RETAINER CLAMP
25	V528801052	2	HEX CAP SCREW
26	V581804252	2	HEX SOCKET SCREW



F060015



Fendt

FENDT 310 S4 (347/00101-05000) (WAM347XXX00F05001-99999)

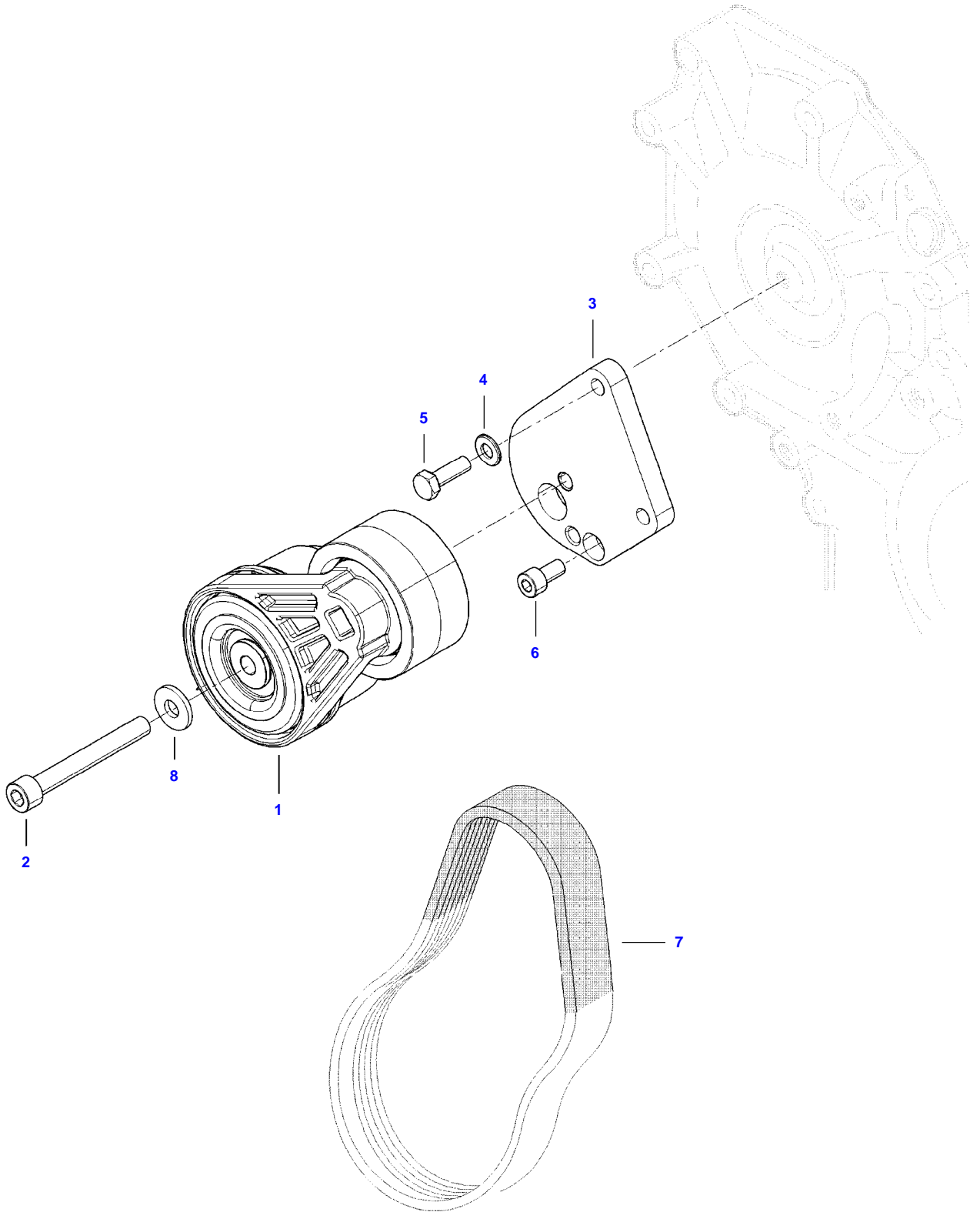
F347000

V-BELT

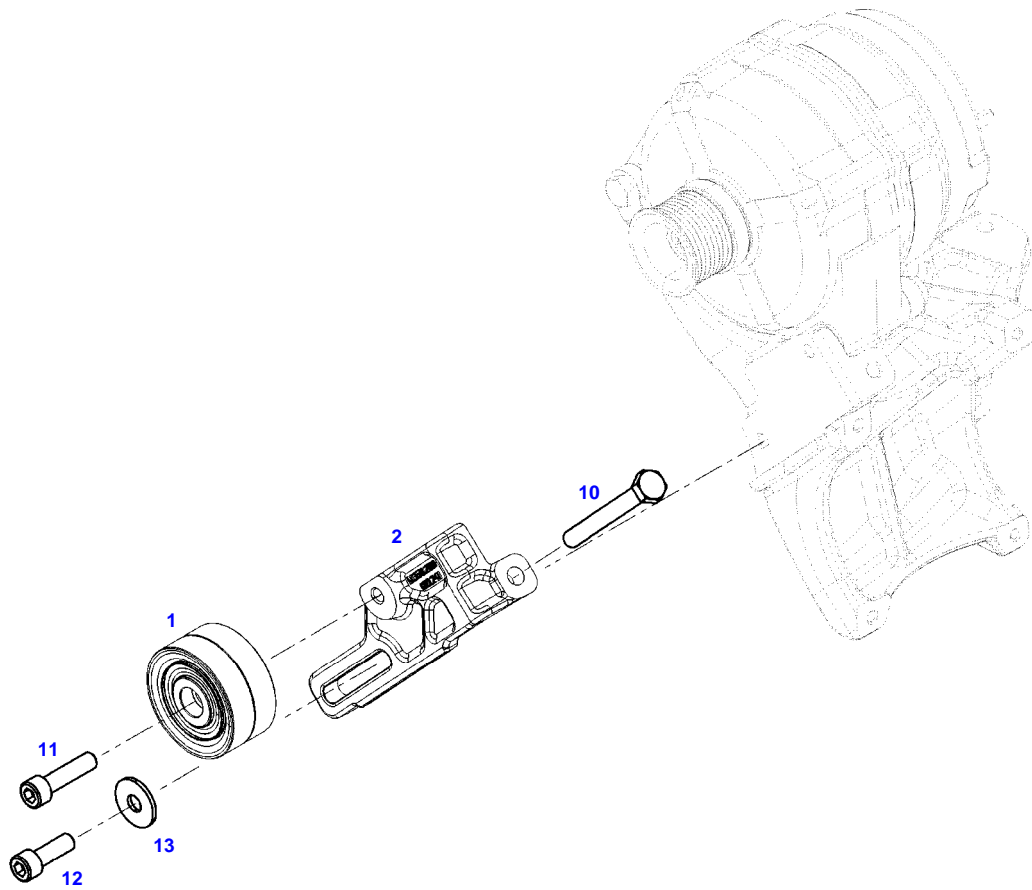
Page01-0005

Item	Part Number	Qty	Description Comments	Technical Specification
1	72614350	1	SERPENTINE BELT WITHOUT BRAKIN SYSTEM	
	72614352	1	SERPENTINE BELT WITH AIR BRAKING EQUIPMENT	_8PK
2			SEE PAGE 01-0006	

AP24B2012



<b>Item</b>	<b>Part Number</b>	<b>Qty</b>	<b>Description</b> <b>Comments</b>
1	V837086282	1	BELT TENSIONER
2	V581705130	1	HEX SOCKET SCREW
3	V837074417	1	BELT TENSIONER BRACKET
4	V500150842	2	WASHER
5	V528801402	2	HEX CAP SCREW
6	V581804582	1	HEX SOCKET SCREW
7	V685081450	1	MULTI-RIBBED BELT
8	V500951002	1	SPRING WASHER



F060010



Fendt

FENDT 310 S4 (347/00101-05000) (WAM347XXX00F05001-99999)

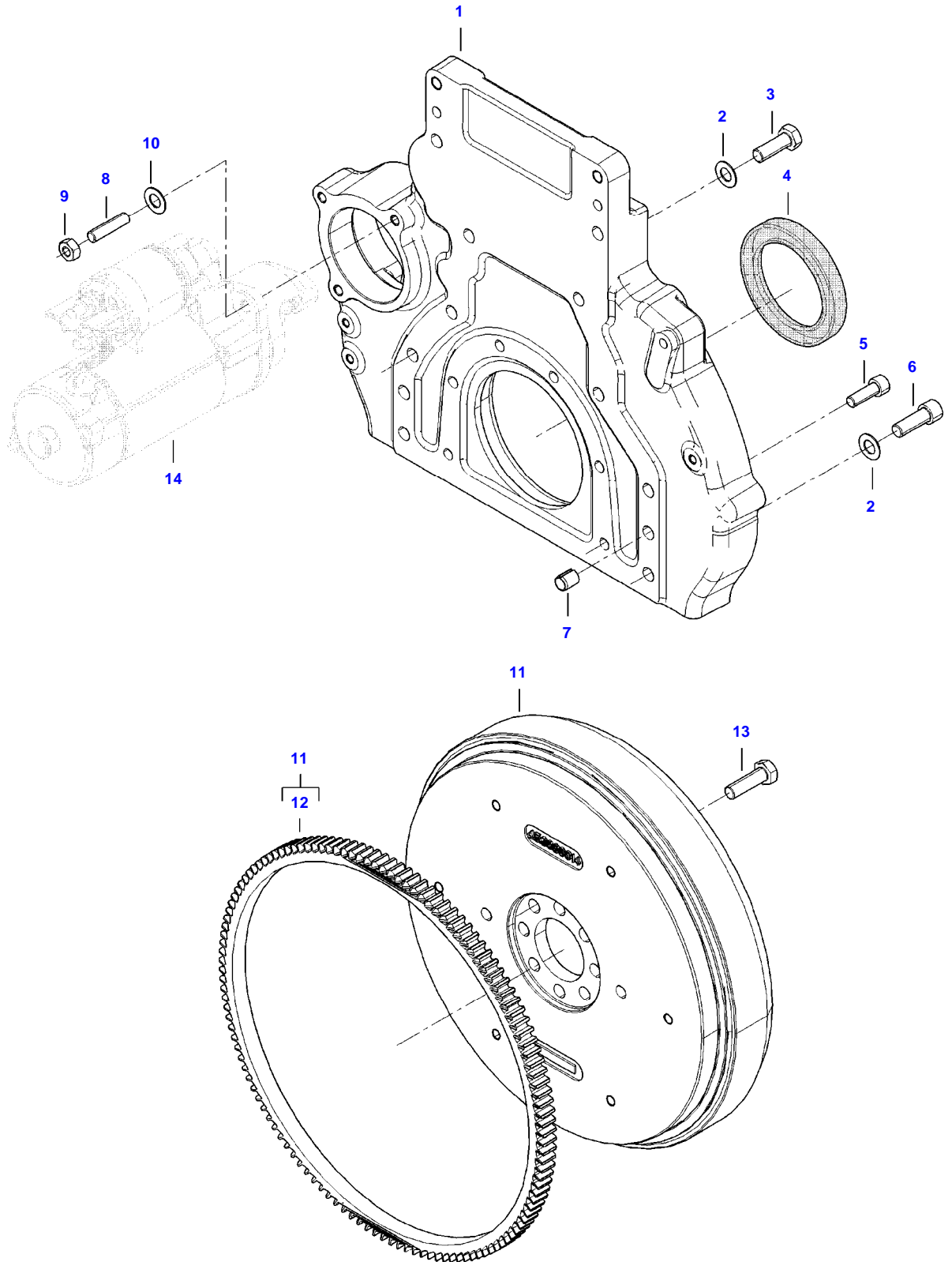
F347000

TENSION ROLLER - ALTERNATOR

Page01-0007

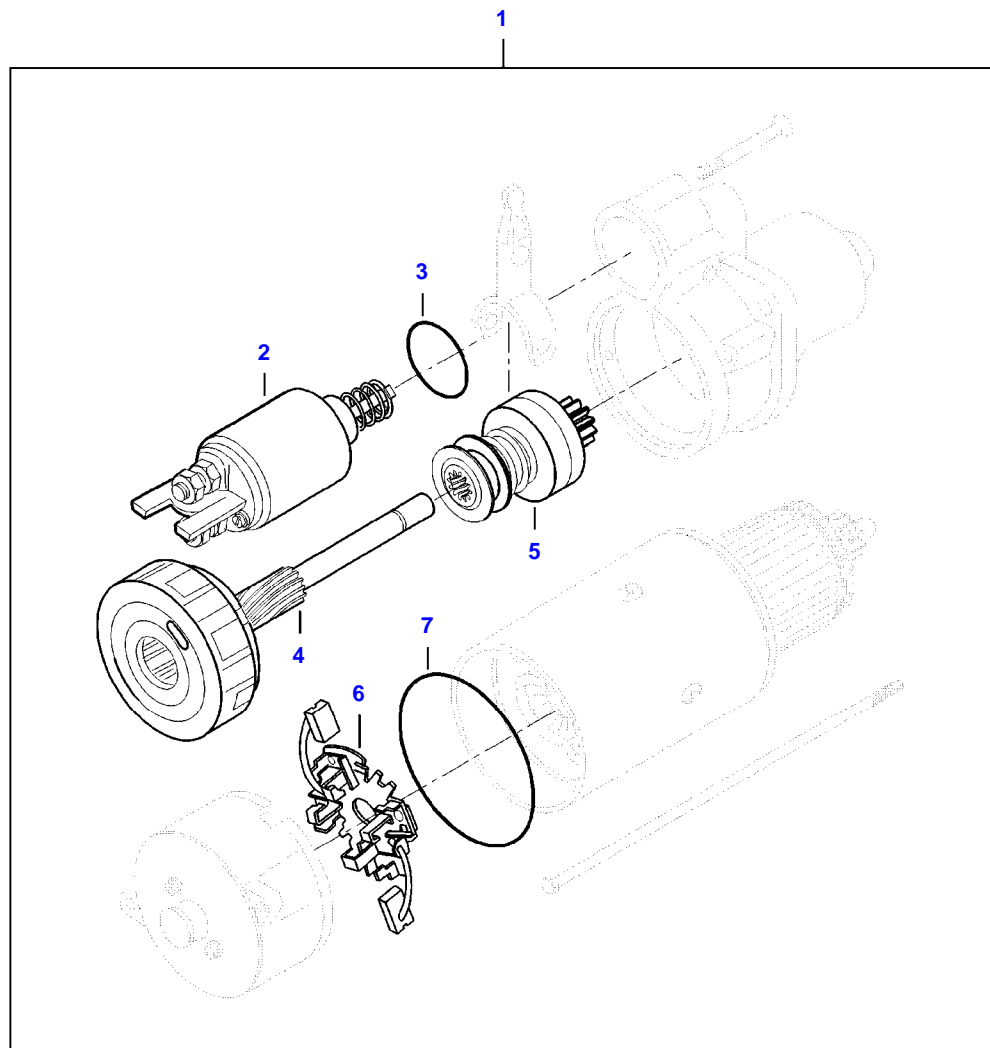
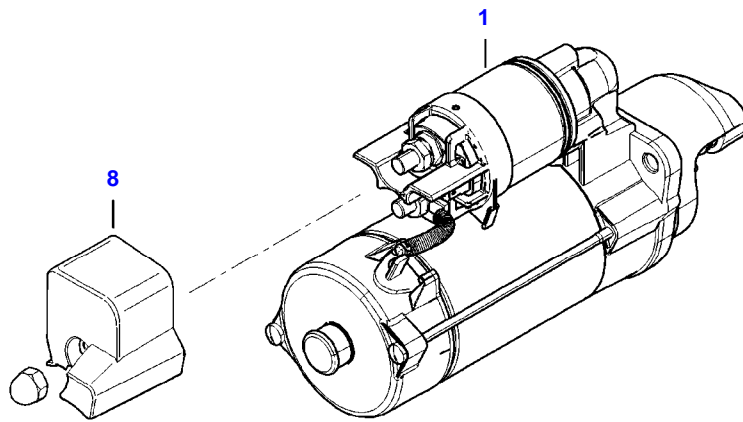
Item	Part Number	Qty	Description Comments	Technical Specification
1	72614349	1	IDLER PULLEY	
2	72616753	1	TENSIONER	
10	72315699	1	HEXAGONAL HEAD BOLT	DIN 933 M10X90-8.8A3L
11	72315498	1	SOCKET HEAD BOLT	DIN 912 M10X40-8.8 OB1-SW
12	72315685	1	HEXAGONAL HEAD BOLT	DIN 933 M10X30-8.8A3L
13	72311829	1	DISC	DIN 7349-10,5-ST.A3L

AP3B1448



Item	Part Number	Qty	Description Comments
1	V837074652	1	FLYWHEEL HOUSING
2	V500951202	8	SPRING WASHER
3	V528702220	6	HEX CAP SCREW
4	V837091172	1	CRANKSHAFT SEAL [B]
5	V581705030	6	HEX SOCKET SCREW
6	V581705440	2	HEX SOCKET SCREW
7	V598359850	2	PIN
8	V546801810	3	STUD BOLT
9	V504601002	3	NUT
10	V500951002	3	SPRING WASHER
11	V837086015	1	FLYWHEEL
12	V836117970	1	STARTER RING (11)
13	V528702230	8	HEX CAP SCREW
14		1	SEE PAGE 01-0029 [B] INCLUDED IN COMPLETE ENGINE GASKET KIT 2

AP22D1074

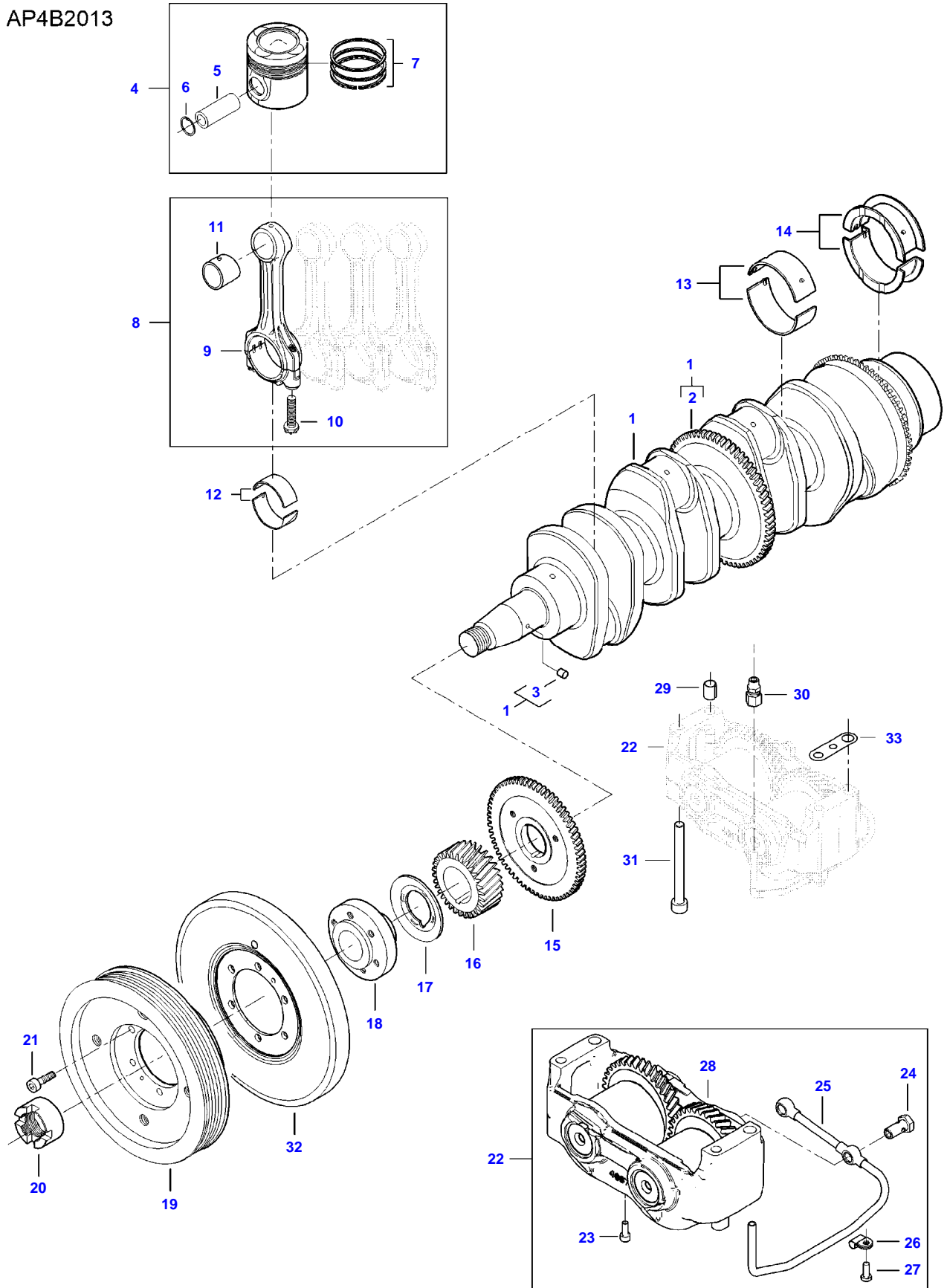


**STARTER MOTOR**

<b>Item</b>	<b>Part Number</b>	<b>Qty</b>	<b>Description Comments</b>
1	V836873457	1	STARTER MOTOR
2	V836879293	1	SOLENOID (1)
3	V836879294	1	GASKET (1)
4	V836879295	1	PLANET GEAR (1)
5	V836879296	1	BENDIX DRIVE (1)
6	V836879297	1	KIT,BRUSH HOLDER (1)
7	V836879298	2	O-RING (1)
8	V836873458	1	COVER

FENDT 310 S4 (347/00101-05000) (WAM347XXX00F05001-99999)  
AP4B2013

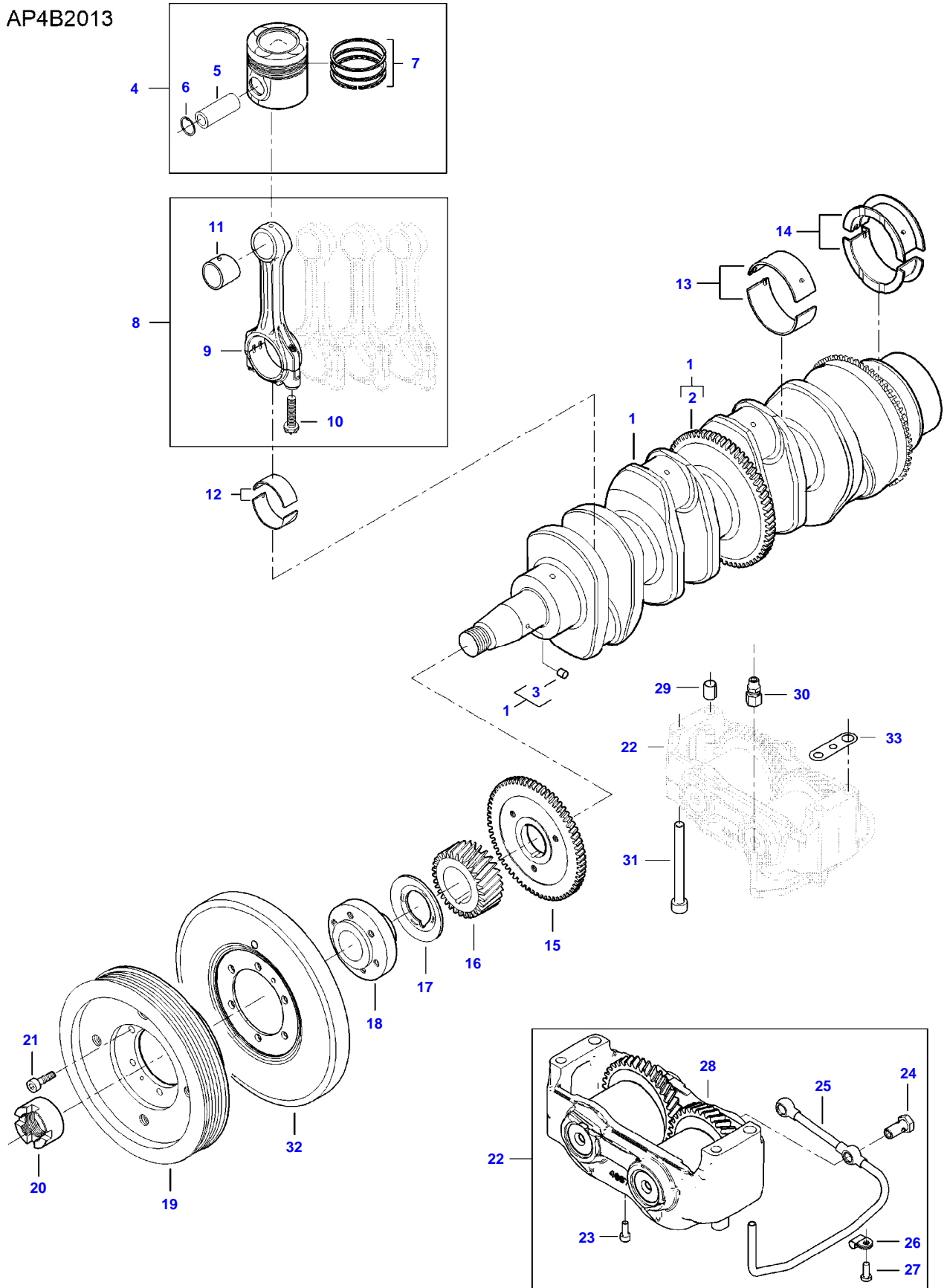
AP4B2013



Item	Part Number	Qty	Description Comments	Technical Specification
1	V837074340	1	CRANKSHAFT	
2	V836124524	1	GEAR (1)	
3	V836867857	1	KEY (1)	
4	V837074081	4	PISTON	
5		4	NOT AVAILABLE AS SINGLE PART (4)	
6		8	NOT AVAILABLE AS SINGLE PART (4)	
7	V837079460	4	PISTON RING KIT (4)	
8	V836740859	1	CONNECTING ROD KIT	
9		4	NOT AVAILABLE AS SINGLE PART (8)	
10	V836864141	8	CONNECTING ROD BOLT (8)	
11	V836110646	4	BEARING BUSH (8),(9)	STD
12	V836179781	4	CONROD BEARING	STD
13	V836655514	4	MAIN BEARING	
14	V836679154	1	MAIN BEARING	
15	V836674069	1	GEAR,CRANKSHAFT	
16	V837073560	1	GEAR,CRANKSHAFT	
17	V836855637	1	RING	
18	V837073677	1	CRANKSHAFT HUB	
19	V837084287	1	CRANKSHAFT PULLEY	
20	V836847641	1	CRANKSHAFT NUT	
21	V577904620	6	HEX SOCKET SCREW	
22	V837084821	1	COUNTERWEIGHT	
23	V581804182	2	HEX SOCKET SCREW (22)	
24	ACW2388530	2	BANJO BOLT (22)	
25	V836747478	1	OIL PIPE (22)	
26	V602071608	1	HOSE CLIP (22)	
27	V528801062	1	HEX CAP SCREW (22)	
28			NOT AVAILABLE AS SINGLE PART (22)	
29	V598359850	2	PIN	
30	V641016008	1	STRAIGHT FITTING	
31	V581805170	4	HEX SOCKET SCREW	
32	V837084282	1	CRANKSHAFT VIBRATION DAMPENER	
33	V836119920		SHIM AS REQUIRED, REFER TO WORKSHOP MANUAL	

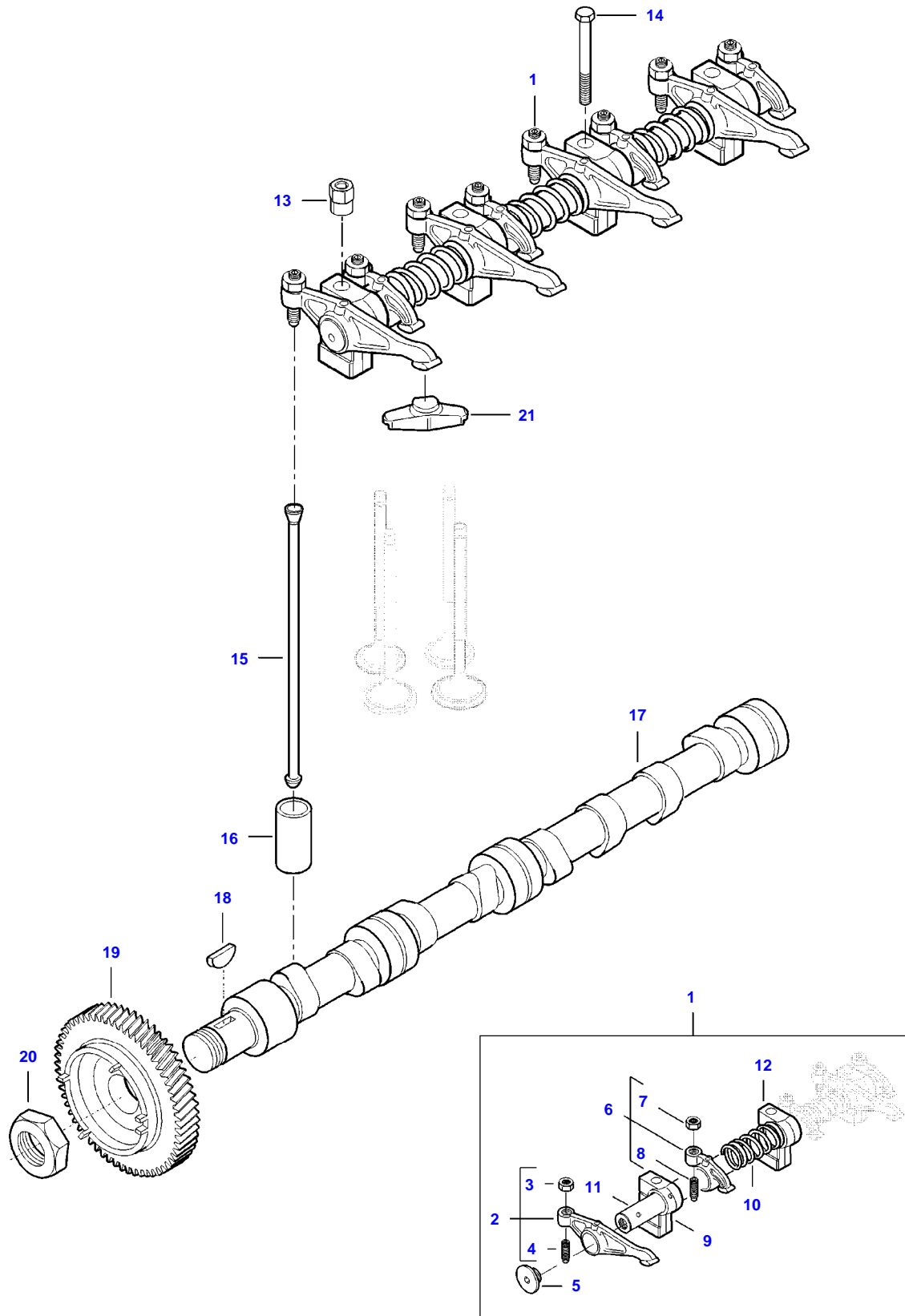
FENDT 310 S4 (347/00101-05000) (WAM347XXX00F05001-99999)  
AP4B2013

AP4B2013



Item	Part Number	Qty	Description Comments	Technical Specification
1	V837074340	1	CRANKSHAFT	
2	V836124524	1	GEAR (1)	
3	V836867857	1	KEY (1)	
4	V837086208	4	PISTON	
5		4	NOT AVAILABLE AS SINGLE PART (4)	
6		8	NOT AVAILABLE AS SINGLE PART (4)	
7	V837079460	4	PISTON RING KIT (4)	
8	V836740859	1	CONNECTING ROD KIT	
9		4	NOT AVAILABLE AS SINGLE PART (8)	
10	V836864141	8	CONNECTING ROD BOLT (8)	
11	V836110646	4	BEARING BUSH (8),(9)	STD
12	V836179781	4	CONROD BEARING	STD
13	V836655514	4	MAIN BEARING	
14	V836679154	1	MAIN BEARING	
15	V836674069	1	GEAR,CRANKSHAFT	
16	V837073560	1	GEAR,CRANKSHAFT	
17	V836855637	1	RING	
18	V837073677	1	CRANKSHAFT HUB	
19	V837084287	1	CRANKSHAFT PULLEY	
20	V836847641	1	CRANKSHAFT NUT	
21	V577904620	6	HEX SOCKET SCREW	
22	V837084821	1	COUNTERWEIGHT	
23	V581804182	2	HEX SOCKET SCREW (22)	
24	ACW2388530	2	BANJO BOLT (22)	
25	V836747478	1	OIL PIPE (22)	
26	V602071608	1	HOSE CLIP (22)	
27	V528801062	1	HEX CAP SCREW (22)	
28			NOT AVAILABLE AS SINGLE PART (22)	
29	V598359850	2	PIN	
30	V641016008	1	STRAIGHT FITTING	
31	V581805170	4	HEX SOCKET SCREW	
32	V837084282	1	CRANKSHAFT VIBRATION DAMPENER	
33	V836119920		SHIM AS REQUIRED, REFER TO WORKSHOP MANUAL	

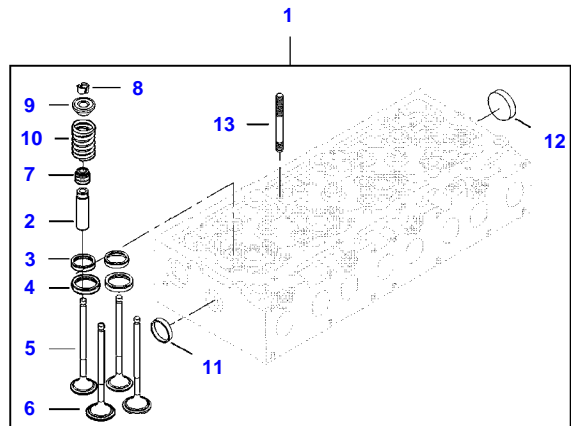
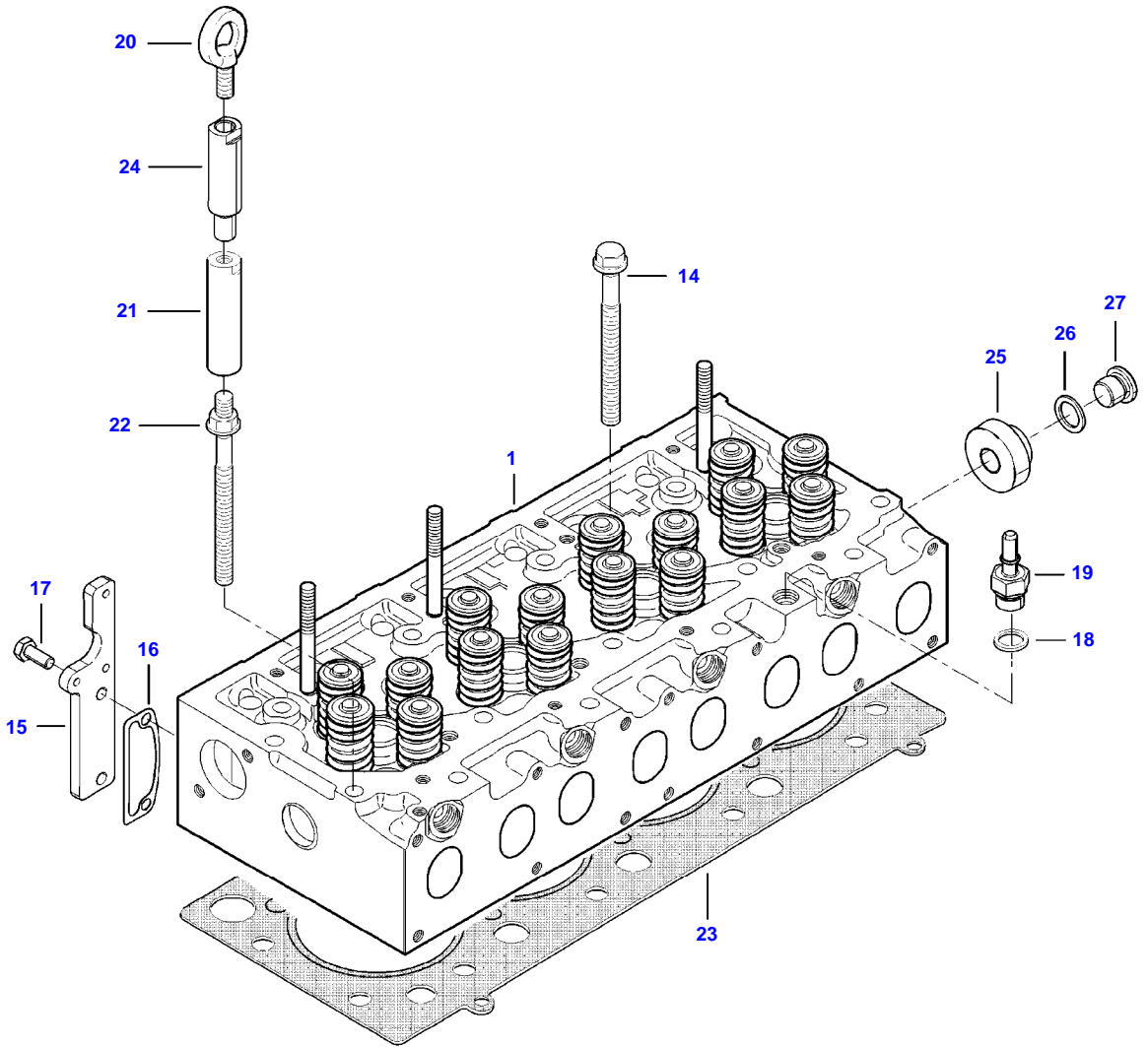
AP5B1960



Item	Part Number	Qty	Description Comments
1	V837070105	1	ROCKER SHAFT ASM
2	V837069011	4	ROCKER ARM (1)
3	V512861000	4	NUT (1),(2)
4	V837069023	4	VALVE ROCKER ADJUSTMENT SCREW (1),(2)
5	V837069020	2	PLUG (1)
6	V837069013	4	ROCKER ARM (1)
7	V512861000	4	NUT (1),(6)
8	V837069023	4	VALVE ROCKER ADJUSTMENT SCREW (1),(6)
9	V837069017	3	ROCKER SHAFT BRACKET (1)
10	V837069019	3	SPRING (1)
11	V837070104	1	SHAFT (1)
12	V837069018	1	ROCKER SHAFT BRACKET (1)
13	V836655406	3	SLEEVE NUT
14	V529801912	1	HEX CAP SCREW
15	V837084417	8	PUSH ROD
16	V836014264	8	TAPPET
17	V837073039	1	CAMSHAFT
18	V603305760	1	WOODRUFF KEY
19	V837073674	1	GEAR,CAMSHAFT
20	V837069085	1	NUT
21	V837073089	8	VALVE BRIDGE

FENDT 310 S4 (347/00101-05000) (WAM347XXX00F05001-99999)  
AP6B2014

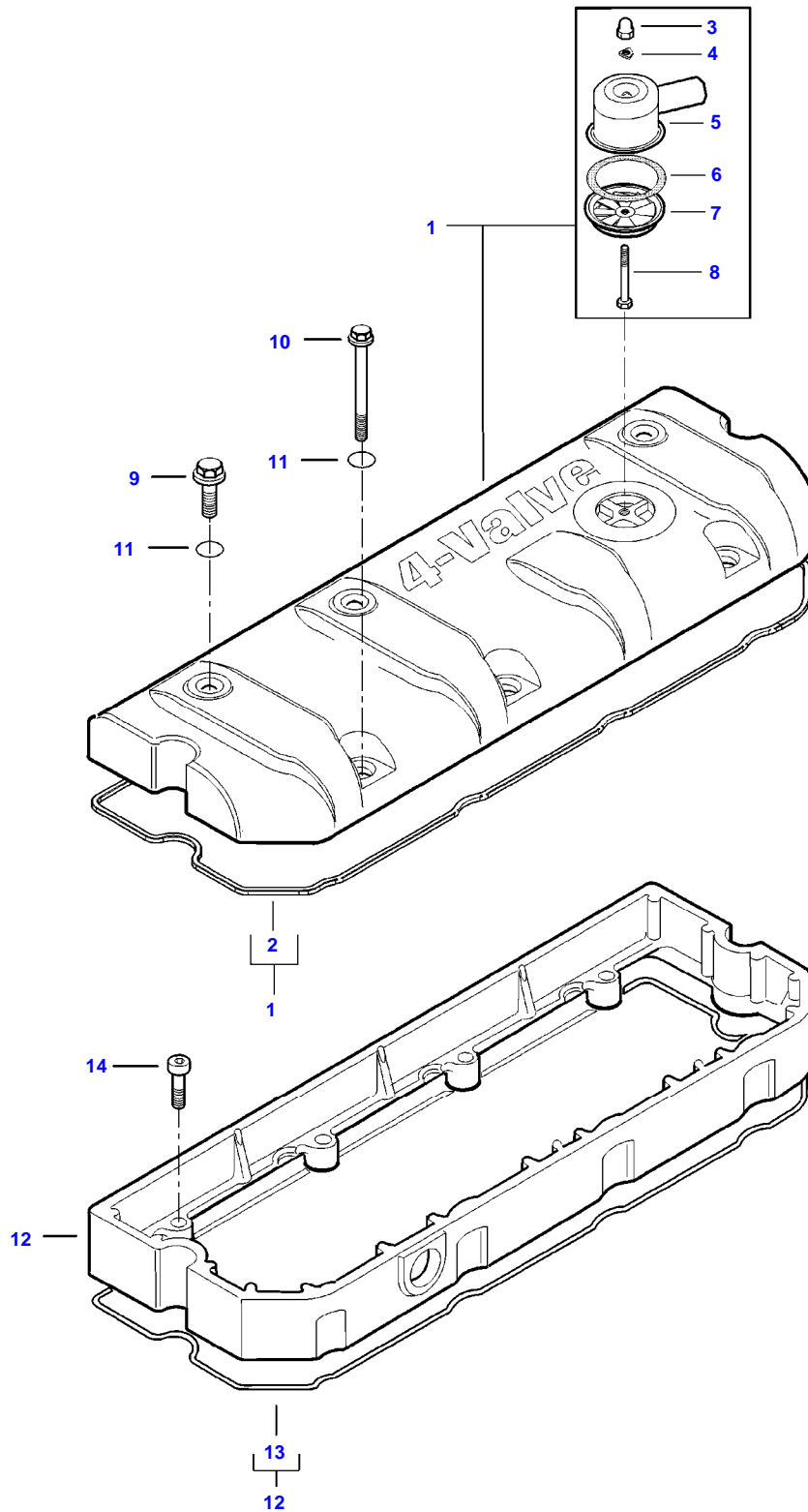
AP6B2014



## CYLINDER HEAD

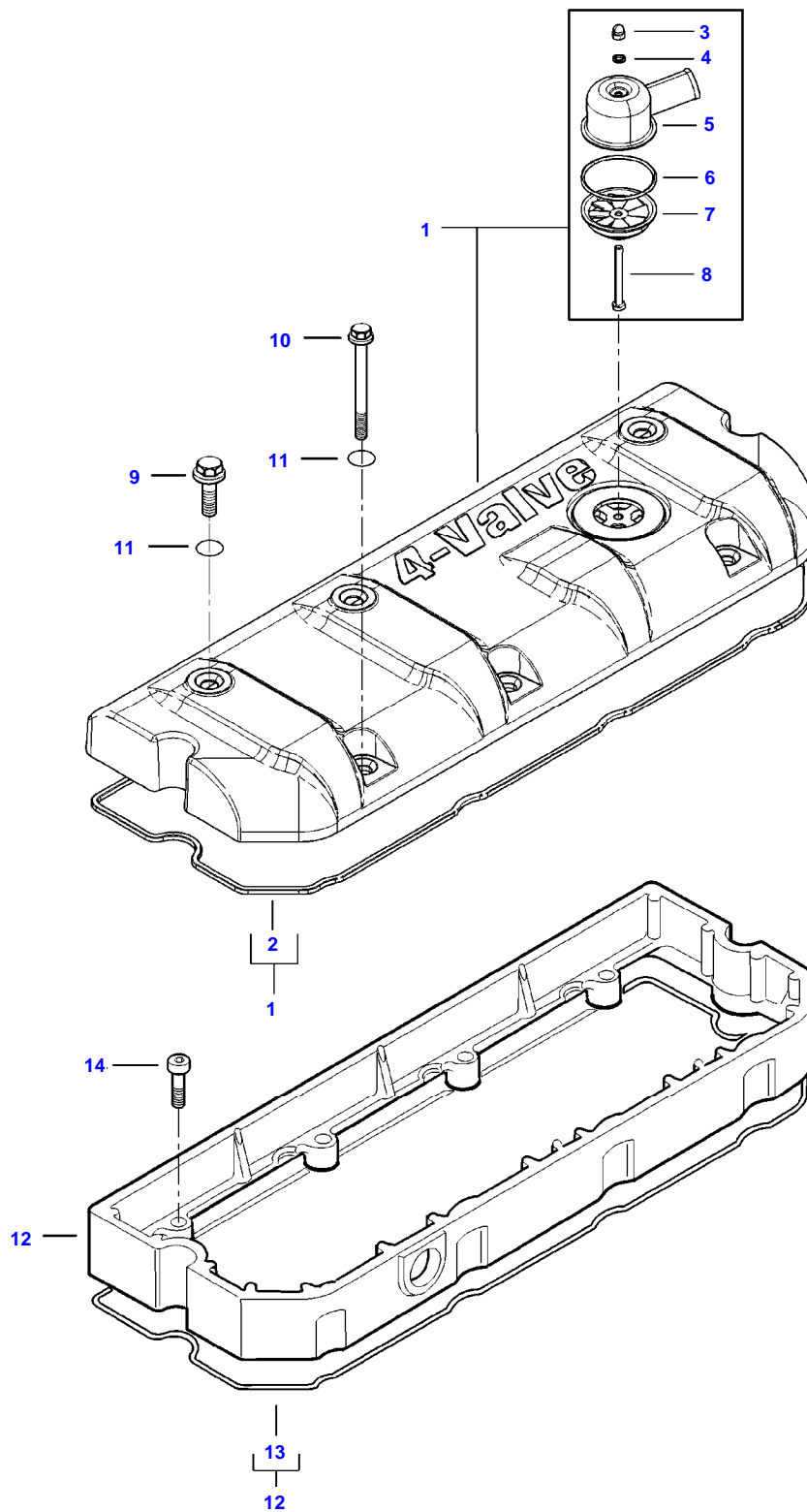
Item	Part Number	Qty	Description Comments	Technical Specification
1	V837073202	1	CYLINDER HEAD	
2	V837073174	16	VALVE GUIDE (1)	
3	V837064907	8	VALVE SEAT (1)	STD 4V EXHAUST
4	V837064908	8	VALVE SEAT (1)	STD 4V INTAKE
5	V837069002	8	EXHAUST VALVE (1)	
6	V837069003	8	INTAKE VALVE (1)	
7	V837073165	16	VALVE STEM GASKET (1) [A]	
8	V837064910	32	COTTER (1)	
9	V837069004	16	SPRING PLATE (1)	
10	V837069005	16	VALVE SPRING (1)	
11	V836647942	5	CUP PLUG (1)	
12	V640016045	1	CUP PLUG (1)	
13	V546901900	3	STUD BOLT (1)	
14	V837069025	18	CYLINDER HEAD BOLT	
15	V837084151	1	PLATE	
16	V836867753	1	GASKET [A]	
17	V528801800	2	HEX CAP SCREW	
18	V615881822	1	SEALING WASHER [A]	
19	V837084995	1	MALE COUPLER	
20	V836640752	2	LIFT EYE	
21	V836867567	2	LIFTING EYE EXTENSION	
22	V837073571	4	CYLINDER HEAD BOLT	
23	V837084524	1	CYLINDER HEAD GASKET [A]	
24	V837074991	1	EXTENSION	
25	V837084863	1	FITTING	
26	V615881420	1	SEALING WASHER	
27	V640325014	1	PLUG	
			[A] INCLUDED IN CYLINDER HEAD GASKET KIT 1	

AP35B2021



Item	Part Number	Qty	Description Comments
1	V837084225	1	VALVE ROCKER COVER
2	V837070128	1	VALVE ROCKER COVER GASKET (1) [A]
3	V519600602	1	NUT (1)
4	V836667508	1	SEALING WASHER (1)
5	V837070442	1	BREATHER CAP (1)
6	V836667459	1	GASKET (1)
7	V837070443	1	BREATHER (1)
8	V528801172	1	HEX CAP SCREW (1)
9	V540801782	3	HEXAGON FLANGE BOLT
10	V540801912	3	HEXAGON FLANGE BOLT
11	V614901030	6	O-RING [A]
12	V837084224	1	VALVE ROCKER COVER FRAME
13	V837070128	1	VALVE ROCKER COVER GASKET (12) [A]
14	V581804632	4	HEX SOCKET SCREW [A] INCLUDED IN CYLINDER HEAD GASKET KIT 1

AP35B1963





**Suggest:**

**For more complete manuals. Please go to the home page.**

**<https://www.ebooklibonline.com>**

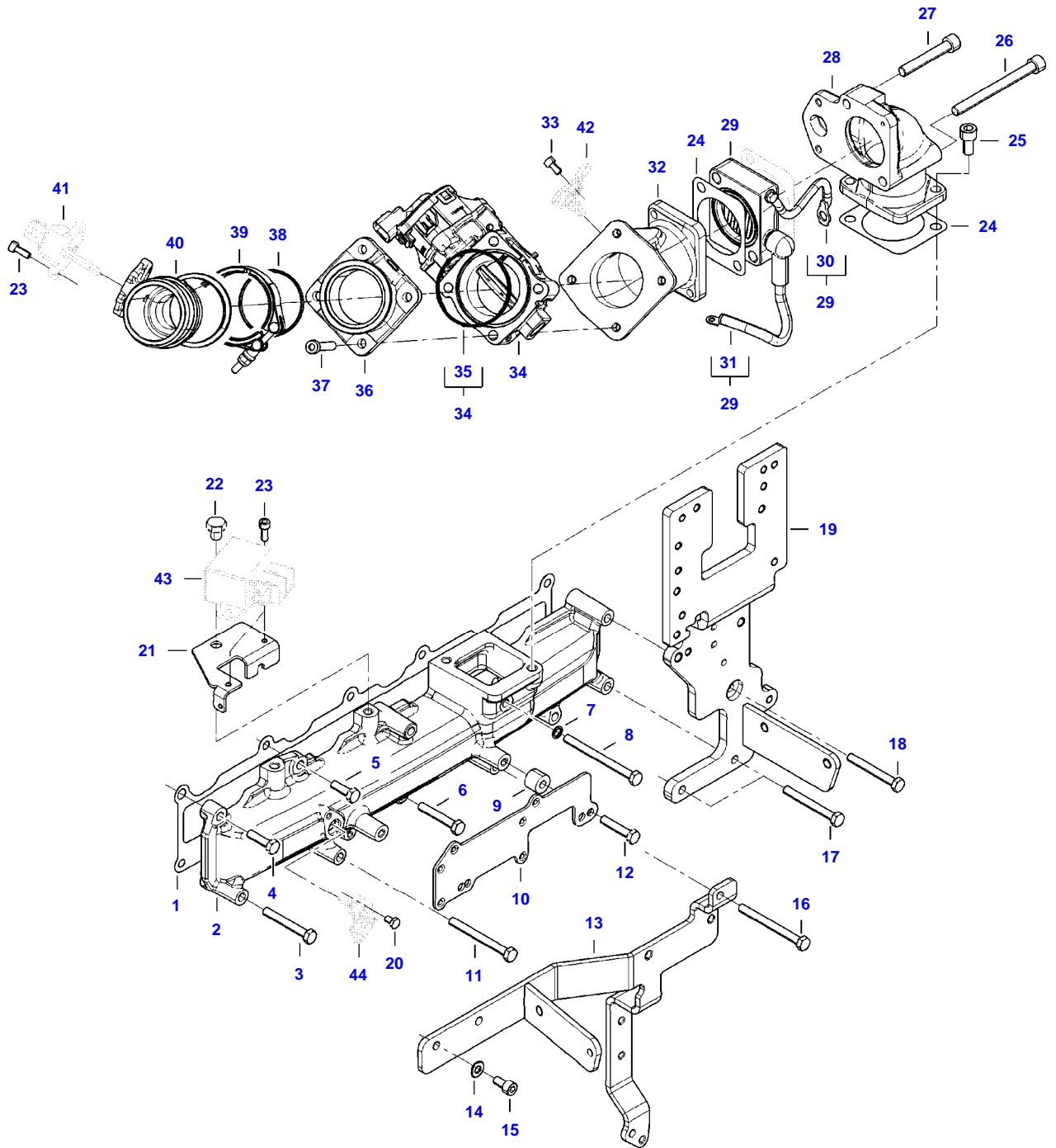
**If the above button click is invalid. Please download this document first, and then click the above link to download the complete manual.**

**Thank you so much for reading**

Item	Part Number	Qty	Description Comments
1	V837086138	1	VALVE ROCKER COVER
2	V837070128	1	VALVE ROCKER COVER GASKET (1) [A]
3	V519600602	1	NUT (1)
4	V836684766	1	SEALING WASHER (1)
5	V837070442	1	BREATHER CAP (1)
6	V614605930	1	O-RING (1)
7	V837070443	1	BREATHER (1)
8	V528801172	1	HEX CAP SCREW (1)
9	V540801782	3	HEXAGON FLANGE BOLT
10	V540801912	3	HEXAGON FLANGE BOLT
11	V614901030	6	O-RING [A]
12	V837084224	1	VALVE ROCKER COVER FRAME
13	V837070128	1	VALVE ROCKER COVER GASKET (12) [A]
14	V581804632	4	HEX SOCKET SCREW [A] INCLUDED IN CYLINDER HEAD GASKET KIT 1

FENDT 310 S4 (347/00101-05000) (WAM347XXX00F05001-99999)  
AP7B2015

AP7B2015



Item	Part Number	Qty	Description Comments
1	V837070364	1	INTAKE MANIFOLD GASKET [A]
2	V837084511	1	INTAKE MANIFOLD
3	V529801470	2	HEX CAP SCREW
4	V528801410	1	HEX CAP SCREW
5	V528801402	1	HEX CAP SCREW
6	V529801450	1	HEX CAP SCREW
7	V836015967	1	SEALING WASHER [A]
8	V529801540	1	HEX CAP SCREW
9	V836119384	2	SPACER PIECE
10	V837074646	1	BRACKET
11	V529801510	1	HEX CAP SCREW
12	V529801430	2	HEX CAP SCREW
13	V837084956	1	BRACKET
14	V500150842	3	WASHER
15	V581804580	3	HEX SOCKET SCREW
16	V529801520	1	HEX CAP SCREW
17	V529801490	2	HEX CAP SCREW
18	V529801480	1	HEX CAP SCREW
19	V837086260	1	FUEL FILTER BRACKET
20	V528801042	1	HEX CAP SCREW
21	V837084566	1	BRACKET
22	V528801760	1	HEX CAP SCREW
23	V581804182	4	HEX SOCKET SCREW
24	V836666074	3	GASKET [A]
25	V581805000	2	HEX SOCKET SCREW
26	V581705180	1	HEX SOCKET SCREW
27	V581705100	1	HEX SOCKET SCREW
28	V837084146	1	AIR PIPE
29	V836674519	1	INTAKE AIR PREHEATER
30	V836767085	1	GROUND WIRE (29)
31	V836866713	1	WIRE (29)
32	V837084642	1	AIR PIPE
33	V581804170	1	HEX SOCKET SCREW
34	V837084473	1	THROTTLE FLAP
35	V837079937	2	GASKET (34) [A]
36	V837074936	1	AIR PIPE
37	V581804702	4	HEX SOCKET SCREW
38	V614606225	1	O-RING [A]
39	V836866454	1	V CLAMP
40	V837074933	1	AIR PIPE
41		1	SEE PAGE 01-0027
42		1	SEE PAGE 01-0027
43		1	SEE PAGE 01-0027
44		1	SEE PAGE 01-0027 [A] INCLUDED IN CYLINDER HEAD GASKET KIT 1

**<https://www.ebooklibonline.com>**

Hello dear friend!

Thank you very much for reading.

Enter the link into your browser.

The full manual is available for immediate download.

**<https://www.ebooklibonline.com>**