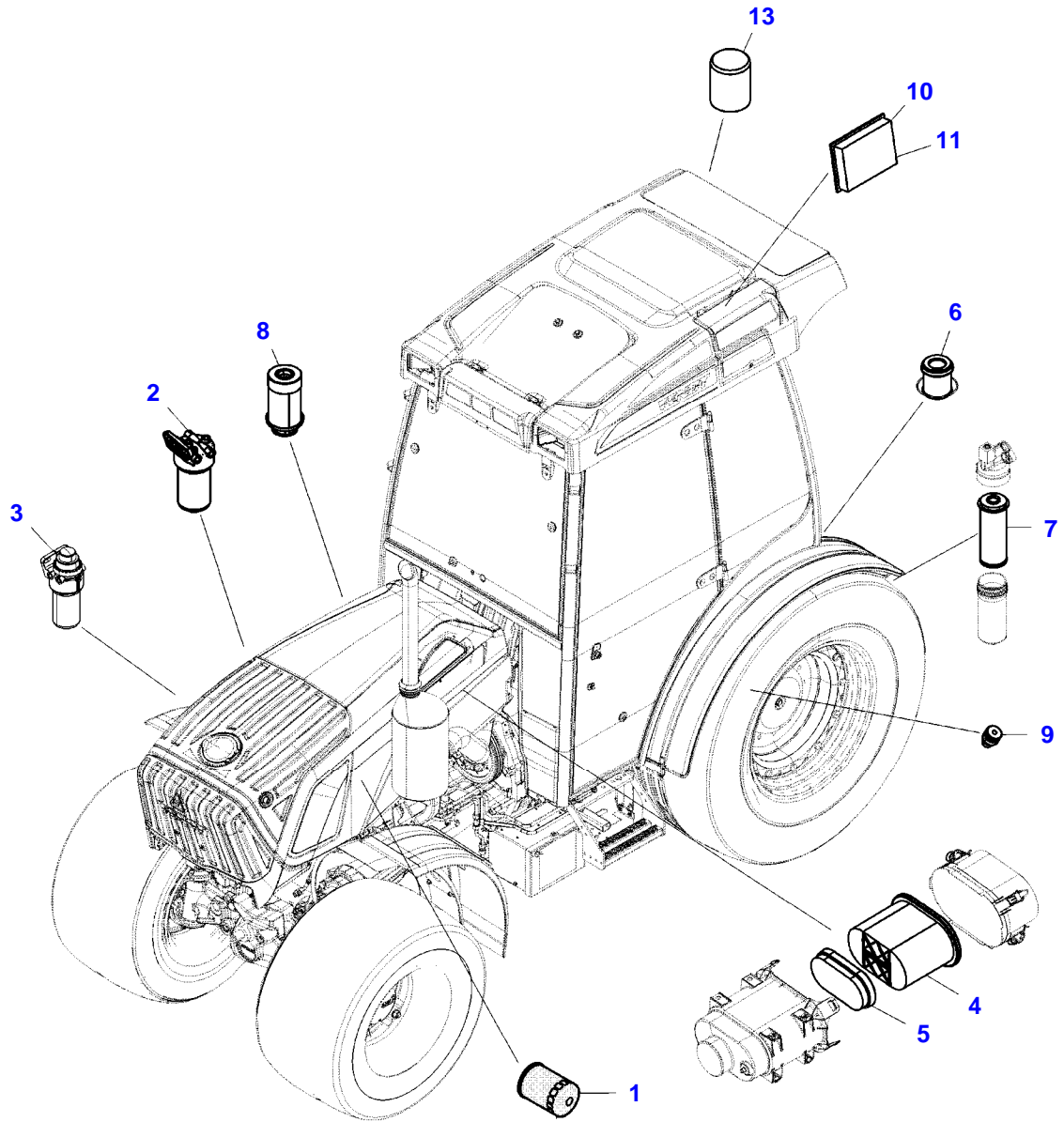


<b>Page Number</b>	<b>Page Title</b>	<b>Page Reference</b>
01-000-TOC	ENGINE, FUEL AND EXHAUST SYSTEM	01-000-TOC
02-000-TOC	AXLES	02-000-TOC
03-000-TOC	STEERING SYSTEM	03-000-TOC
04-000-TOC	DRIVE TRAIN SYSTEM	04-000-TOC
05-000-TOC	COMPRESSED AIR SYSTEM	05-000-TOC
06-000-TOC	HYDRAULIC SYSTEM	06-000-TOC
07-000-TOC	ELECTRICAL SYSTEM	07-000-TOC
08-000-TOC	CAB	08-000-TOC
09-000-TOC	AIR CONDITIONING AND HEATING SYSTEM	09-000-TOC
10-000-TOC	CHASSIS	10-000-TOC
11-000-TOC	WHEELS	11-000-TOC
12-000-TOC	IMPLEMENT LIFT SYSTEM FRONT	12-000-TOC
13-000-TOC	IMPLEMENT LIFT SYSTEM REAR	13-000-TOC
14-000-TOC	LINKAGE	14-000-TOC
15-000-TOC	ACCESSORIES	15-000-TOC

Page Number	Page Title	Page Reference
01-0001	FILTERS - OVERVIEW	2216887
01-0002	ENGINE ASSEMBLIES	2210490
01-0003	ENGINE - RETAINER	2219287
01-0004	CYLINDER BLOCK	2210499
01-0005	TIMING GEARS AND HOUSING	2211025
01-0006	FLYWHEEL AND FLYWHEEL HOUSING	2211109
01-0007	CRANKSHAFT AND PISTONS	2211111
01-0008	CAMSHAFT AND VALVE MECHANISM	2211113
01-0009	CYLINDER HEAD	2211161
01-0010	VALVE ROCKER COVER	2211287
01-0011	INTAKE MANIFOLD	2211619
01-0012	TURBOCHARGER AND EXHAUST MANIFOLD	2215178
01-0013	EXHAUST GAS RECIRCULATION (EGR)	2215348
01-0014	OIL PUMP AND SUMP	2215349
01-0015	OIL COOLER AND FILTER	2215352
01-0016	CLOSED CRANKCASE VENTILATION (CCV)	2215412
01-0017	COOLANT PUMP AND THERMOSTAT	2215455
01-0018	FUEL INJECTION SYSTEM	2215531
01-0019	FUEL FILTERS	2216167
01-0020	ELECTRONIC ENGINE MANAGEMENT	2216543
01-0021	ALTERNATOR	2216544
01-0022	STARTER MOTOR	2216545
01-0023	ENGINE OVERHAUL PARTS	2216560
01-0024	SPECIAL OVERHAUL PARTS	2327201
01-0025	AIR CLEANER	2218216
01-0026	WATER COOLED RADIATOR	2217031
01-0027	EXPANSION TANK	2217032
01-0028	BOOST INTERCOOLING	2218549
01-0029	FUEL TANK	2218108
01-0030	FUEL LINES	2218109
01-0031	EXHAUST - EXHAUST AFTER-TREATMENT LOWER	2218459
01-0032	EXHAUST - EXHAUST AFTER-TREATMENT TOP	2218460
01-0033	VISCO FAN	2216897
01-0034	VISCO FAN - REVERSIBLE FAN	2216898
01-0035	VALVE BLOCK ASSEMBLY - REVERSIBLE FAN	2256142
01-0036	SPEED CONTROL FOOT OPERATION	2218920
01-0037	SPEED CONTROL MANUAL OPERATION	2218900
01-0038	ENGINE PRE-HEATER	2218943

FENDT 211F VARIO S3 (WAM243XXX00F00101-99999)  
18067842-M-1



18067842-M-1

**<https://www.ebooklibonline.com>**

Hello dear friend!

Thank you very much for reading.

Enter the link into your browser.

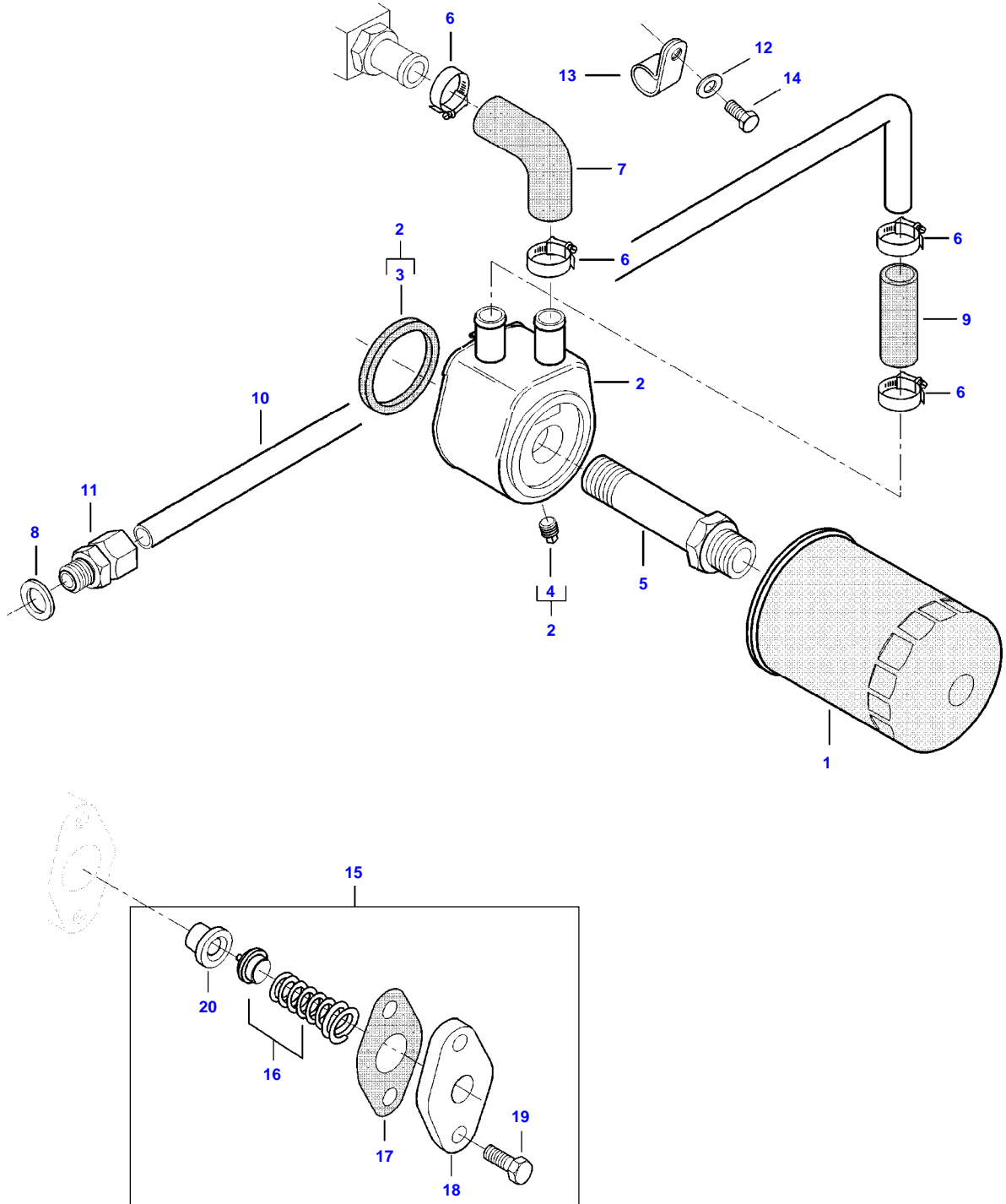
The full manual is available for immediate download.

**<https://www.ebooklibonline.com>**

Item	Part Number	Qty	Description Comments
1	V836479591	1	ENGINE OIL FILTER SEE PAGE 01-0015
2	V837086099	1	MAIN FUEL FILTER SEE PAGE 01-0019
3	V837086172	1	FUEL PREFILTER SEE PAGE 01-0019
4	72474352	1	FILTER CARTRIDGE SEE PAGE 01-0025
5	72474353	1	SAFETY CARTRIDGE SEE PAGE 01-0025
6	72474644	1	SUCTION FILTER TRANSMISSION SEE PAGE 04-0029
7	72311028	1	FILTER ELEMENT TRANSMISSION OIL PRESSURE SEE PAGE 04-0034
8	72436468	1	OIL FILTER ELEMENT OIL TANK SEE PAGE 13-0007
9	72474412	1	VENTILATION FILTER OIL TANK SEE PAGE 13-0006
10	72477670	1	FILTER FRESH AIR
11	72481531	1	FILTER ACTIVE COAL FILTER
13	72437515	1	CARTRIDGE JET AIR DRIER

FENDT 211F VARIO S3 (WAM243XXX00F00101-99999)  
AP14A2426

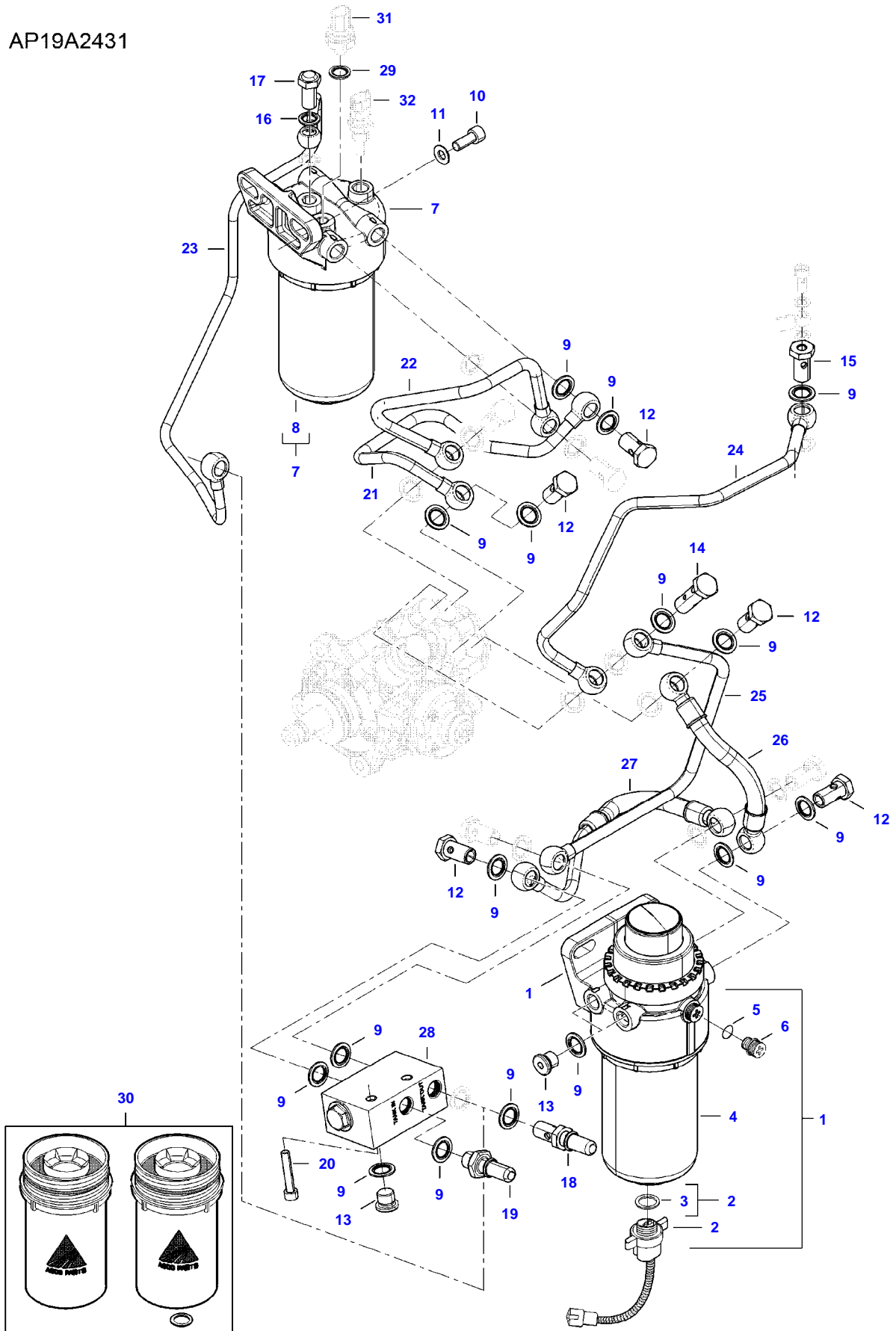
AP14A2426



Item	Part Number	Qty	Description Comments
1	V836479591	1	ENGINE OIL FILTER
2	V836859699	1	OIL COOLER
3	V836862235	1	SEAL (2)
4	V640004004	1	PLUG (2)
5	V836859700	1	UNION
6	V602079516	4	HOSE CLIP
7	V836859899	1	RUBBER ELBOW
8	V615881822	1	SEALING WASHER [B]
9	V836673590	1	RUBBER HOSE
10	V836673588	1	PIPE
11	V641086015	1	STRAIGHT FITTING
12	V500050642	1	WASHER
13	V602074615	1	RETAINER CLAMP
14	V528801062	1	HEX CAP SCREW
15	V837091147	1	OIL PRESSURE CONTROL VALVE
16		1	NOT AVAILABLE AS SINGLE PART (15)
17	V836322190	1	GASKET (15) [B]
18	V837074289	1	COVER (15)
19	V528801382	2	HEX CAP SCREW (15)
20		1	NOT AVAILABLE AS SINGLE PART (15) <b>[B] INCLUDED IN COMPLETE ENGINE GASKET KIT 2</b>

FENDT 211F VARIO S3 (WAM243XXX00F00101-99999)  
AP19A2431

AP19A2431

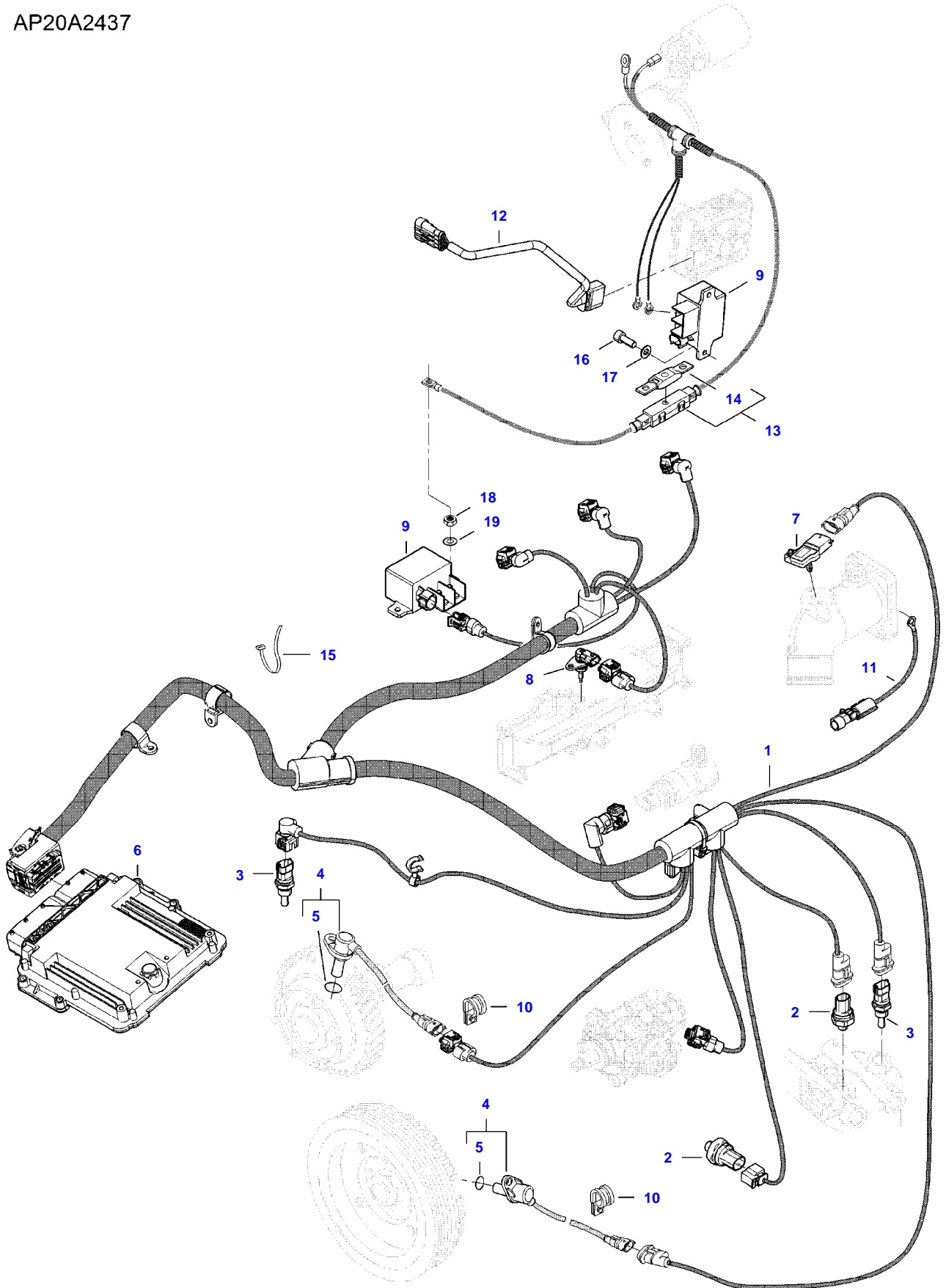


## FUEL FILTERS

Item	Part Number	Qty	Description Comments
1	V837086172	1	FUEL PREFILTER
2	V837074054	1	FUEL FILTER WATER ALARM (1)
3	V837091271	1	SEAL (1),(2),(30)
4		1	NOT AVAILABLE AS SINGLE PART (1),(30)
5	V837079628	1	O-RING (1)
6	V837079627	1	BLEED SCREW (1)
7	V837086099	1	MAIN FUEL FILTER
8		1	NOT AVAILABLE AS SINGLE PART (7),(30)
9	V836684770	29	SEALING WASHER [A]
10	V581805022	4	HEX SOCKET SCREW
11	V500151052	4	WASHER
12	V640435010	9	BANJO BOLT
13	V640325014	3	PLUG
14	V640425010	1	DUAL BANJO BOLT
15	V836007420	1	BANJO BOLT
16	V836684769	2	SEALING WASHER [A]
17	V837074134	1	BANJO BOLT
18	V837074191	1	QUICK COUPLER
19	V837086171	1	QUICK COUPLER
20	V529801442	2	HEX CAP SCREW
21	V837074725	1	FUEL PIPE
22	V837074724	1	FUEL PIPE
23	V837086181	1	FUEL PIPE
24	V837086348	1	FUEL PIPE
25	V837086178	1	FUEL PIPE
26	V837086179	1	FUEL HOSE
27	V837086180	1	FUEL HOSE
28	V837086013	1	FLOW CONTROL VALVE
29	V615871016	1	SEALING WASHER [A]
30	V837091129	1	FUEL FILTER KIT
31		1	SEE PAGE 01-0020
32		1	SEE PAGE 01-0020 [A] INCLUDED IN CYLINDER HEAD GASKET KIT 1

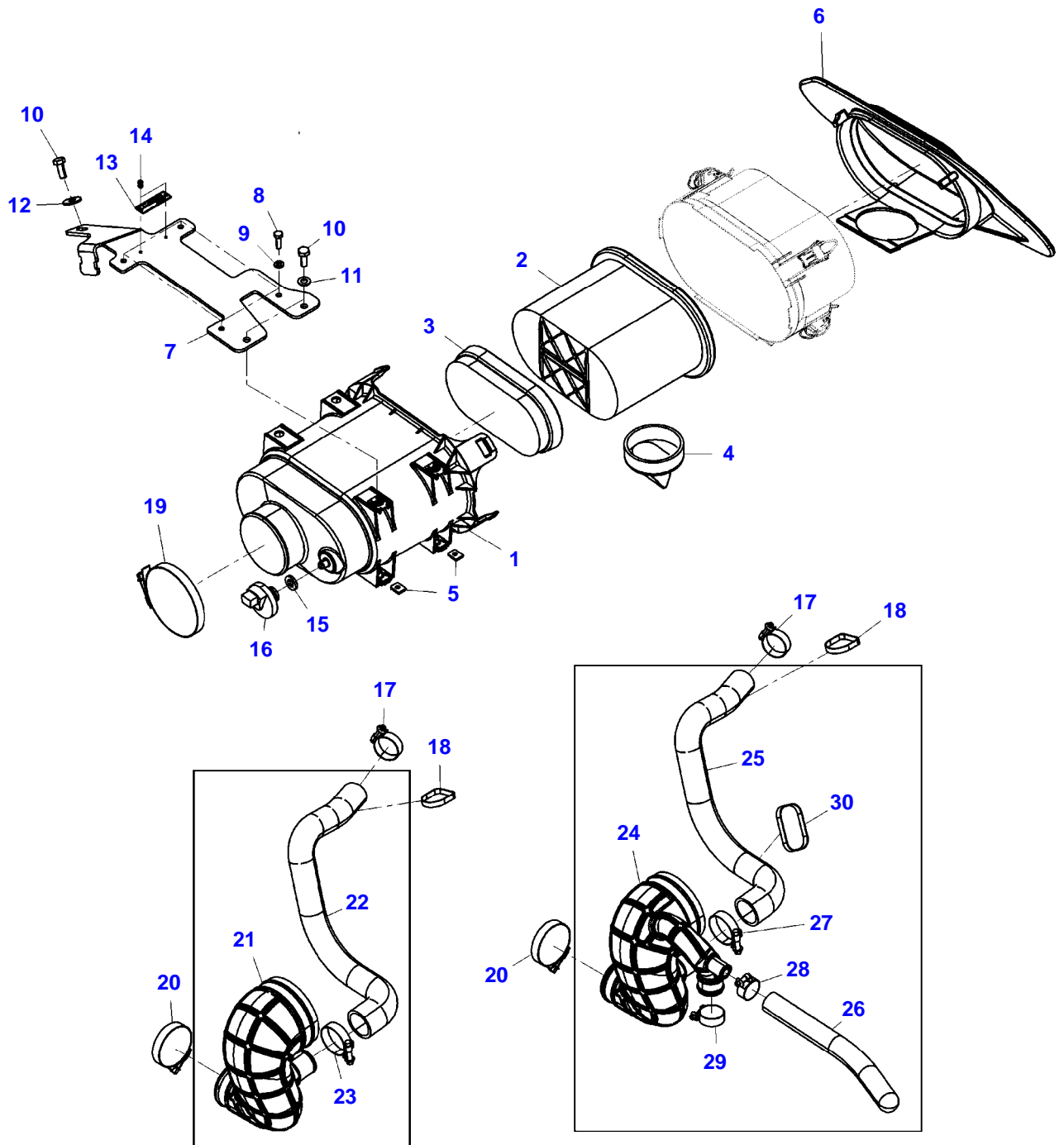
FENDT 211F VARIO S3 (WAM243XXX00F00101-99999)  
AP20A2437

AP20A2437



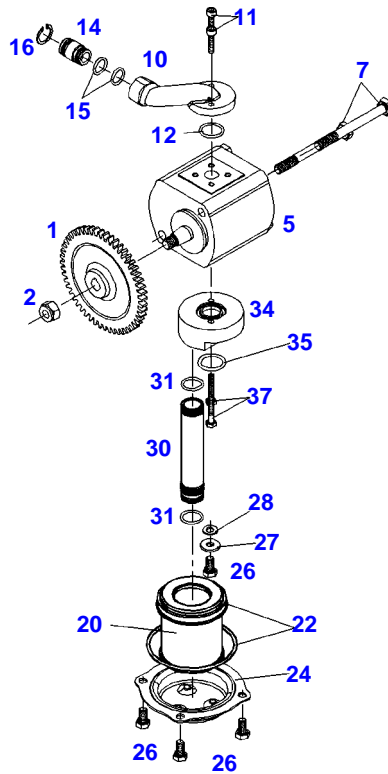
Item	Part Number	Qty	Description Comments
1	V837086121	1	ENGINE WIRE HARNESS
2	V837070201	2	PRESSURE SENSOR
3	V836667732	2	TEMPERATURE SENSOR
4	V837070189	2	SPEED SENSOR
5	V614601718	2	O-RING (4)
6	V837073357	1	ENGINE CONTROL UNIT
7	V837073934	1	BOOST PRESSURE SENSOR
8	V837074507	1	TEMPERATURE SENSOR
9	V837069047	2	RELAY
10	V602060610	2	RETAINER CLAMP
11	V837073594	1	WIRE
12	V837073595	1	WIRE
13	V837073596	1	WIRE
14	V836662501	1	FUSE (13)
15	V651754720	10	CABLE TIE
16	V581804182	2	HEX SOCKET SCREW
17	V500150642	2	WASHER
18	V504600602	2	NUT
19	V500050642	2	WASHER

FENDT 211F VARIO S3 (WAM243XXX00F00101-99999)  
18114946-M-1



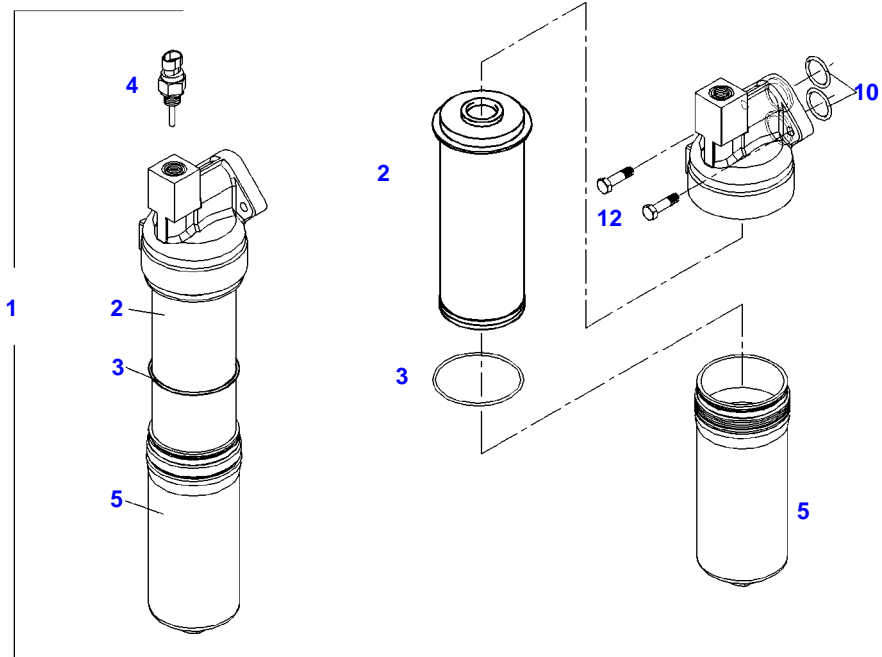
18114946-M-1

Item	Part Number	Qty	Description Comments	Technical Specification
1	72441307	1	AIR FILTER INCLUDES ITEMS 2-5	
2	72474352	1	FILTER CARTRIDGE	
3	72474353	1	SAFETY CARTRIDGE	
4	72441351	1	DUST DISCHARGE VALVE	
5	72474602	4	U-CLAMP	
6	72629003	1	AIR DUCT	
7	72628818	1	HOLDER	
8	72315631	4	HEXAGONAL HEAD BOLT	DIN 933 M6 X 20-8.8A3L
9	72311787	4	DISC	DIN 125-6,4-ST.A3L
10	72315650	3	HEXAGONAL HEAD BOLT	DIN 933 M8 X 20-8.8A3L
11	72311788	2	DISC	DIN 125-8,4-ST.A3L
12	72311824	1	DISC	DIN9021-8,4-140HV-A3L
13	72628761	1	IDENTIFICATION PLATE	
14	72315252	2	POP RIVET	3X8
15	72311896	1	FRICTION WASHER	
16	72379889	1	MAINTENANCE SWITCH	
17	72311168	1	HOSE CLIP	
18	72316913	1	CABLE STRAP	FWN 66650 B360X7,5-SW
19	72311172	1	HOSE CLIP	
20	72311163	1	HOSE CLIP	
21	72629020	1	AIR INTAKE HOSE WITHOUT BRAKIN SYSTEM	
22	72629100	1	HOSE WITHOUT BRAKIN SYSTEM	
23	72311162	1	HOSE CLIP WITHOUT BRAKIN SYSTEM	
24	72629021	1	AIR INTAKE HOSE WITH AIR BRAKING EQUIPMENT	
25	72629100	1	HOSE WITH AIR BRAKING EQUIPMENT	
26	72629101	1	HOSE WITH AIR BRAKING EQUIPMENT	
27	72311162	1	HOSE CLIP WITH AIR BRAKING EQUIPMENT	
28	72311167	1	HOSE CLIP WITH AIR BRAKING EQUIPMENT	
29	72311167	1	HOSE CLIP WITH AIR BRAKING EQUIPMENT	
30	72316913	1	CABLE STRAP WITH AIR BRAKING EQUIPMENT	FWN 66650 B360X7,5-SW



037111

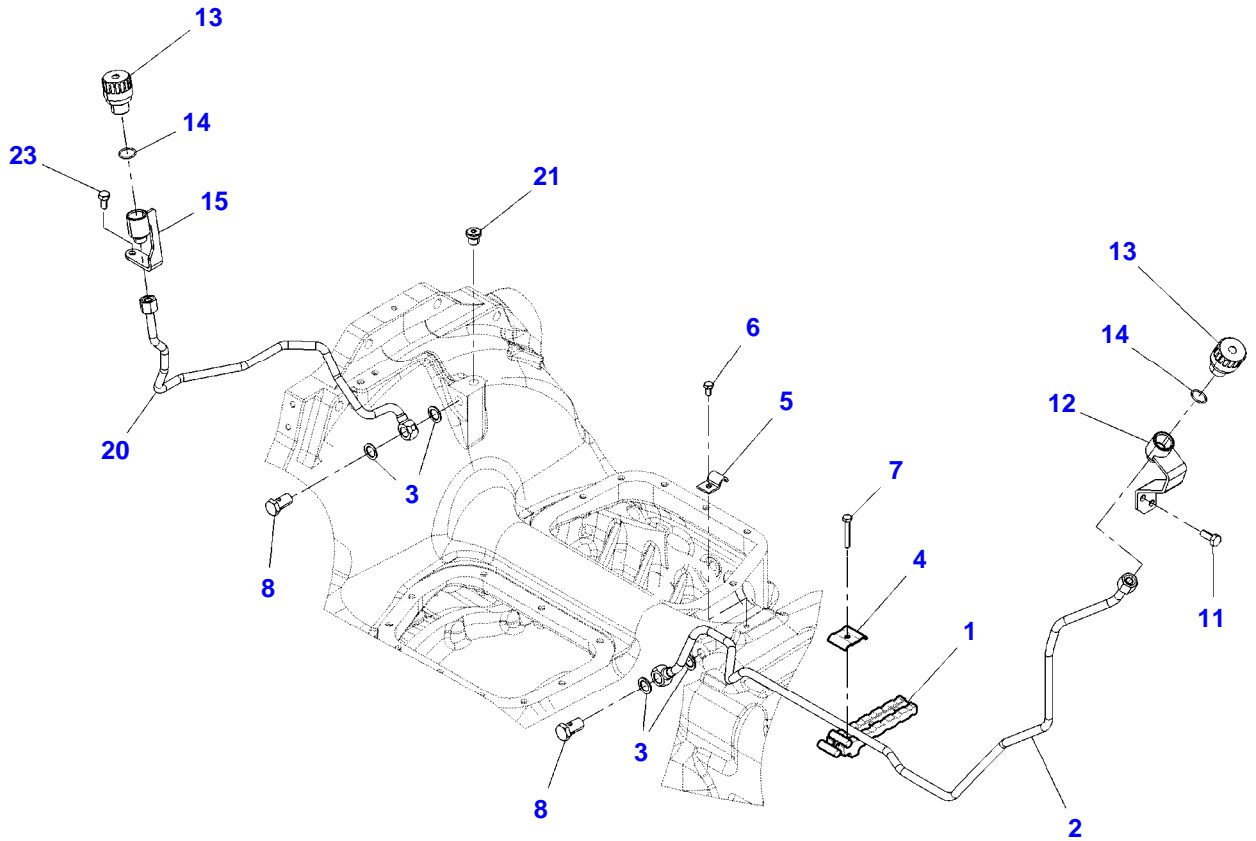
Item	Part Number	Qty	Description Comments	Technical Specification
			<b>GEAR BOX LUBRICATION SUCTION FILTER</b>	
1	72441046	1	SPUR GEAR NUMBER OF TEETH/SPINES 52	
2	72313326	1	NUT	DIN 980-VM12X1,5-8-A3L
5			SEE GEAR PUMP	
7	72418393	2	HEXAGONAL HEAD BOLT	DIN 931 M10X100 GWA-1
10	72441048	1	COMPRESSION FLANGE	
11	72315465	2	SOCKET HEAD BOLT	DIN 912 M6X25-8.8
12	72313447	1	O-RING	22,3X2,4-NBR 70-FWN56402
14	72441047	1	PIPE	
15	72492558	2	O-RING	15,3X2,4-FPM 70
16	72375602	1	LOCK WASHER	DIN 472-22X1
20	72474644	1	SUCTION FILTER INCLUDES ITEMS 22	
22	72441052	1	SEAL KIT	
24	72441051	1	COVER	
26	72315642	4	HEXAGONAL HEAD BOLT	DIN 933 M8 X 16-8.8A3L
	72315648	1	HEXAGONAL HEAD BOLT	DIN 933 M8X20-8.8
27	72311858	1	DISC	
28	72311788	1	DISC	DIN 125-8,4-ST.A3L
30	72441049	1	AIR INTAKE PORT	
31	72376467	2	O-RING	20,3X2,4-FPM 70 FWN56402
34	72441050	1	ADAPTER	
35	72313452	1	O-RING	24,2X3-FPM 70 FWN56402
37	72315635	2	HEXAGONAL HEAD BOLT	DIN 933 M6X35-8.8A3L



037101

Item	Part Number	Qty	Description Comments	Technical Specification
			<b>PRESSURE FILTER</b>	
1	72425778	1	FILTER INCLUDES ITEMS 2-5	
2	72311028	1	FILTER ELEMENT	
3	72313495	1	O-RING	76X2,5-NBR 70 FWN56402
4				
			SEE ELECTRICAL SYSTEM SWITCH	
5	72425928	1	HOUSING	
10	72313459	2	O-RING	28X3-NBR 70 FWN56402
12	72315655	2	HEXAGONAL HEAD BOLT	DIN 933 M8X30-8.8

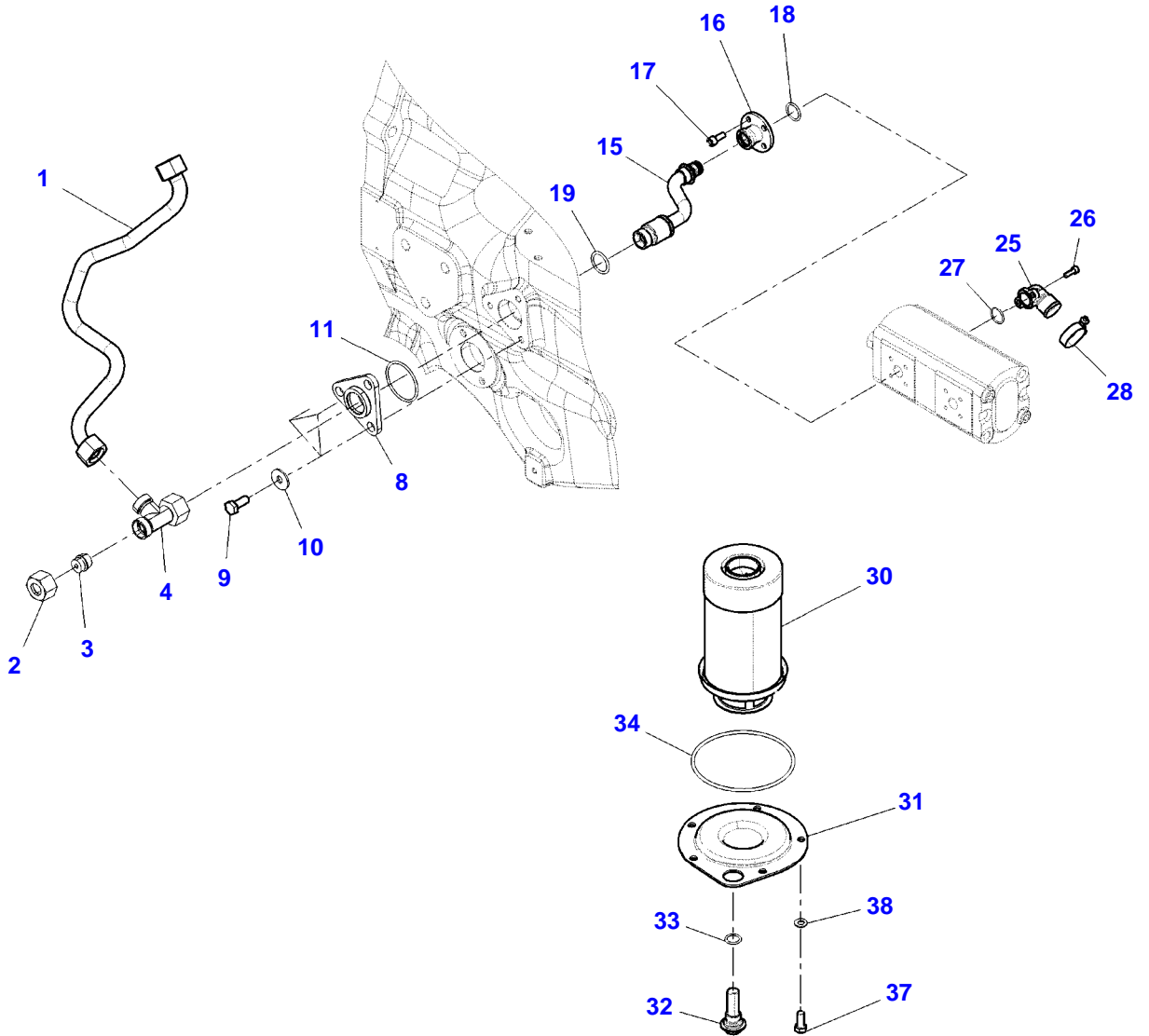
FENDT 211F VARIO S3 (WAM243XXX00F00101-99999)  
17863080-M-1



17863080-M-1

Item	Part Number	Qty	Description Comments	Technical Specification
1	72628512	1	SPACER	
2	72629028	1	TUBE	
3	72608905	4	GASKETS	14X22X1,5
4	72311266	1	CLIP	
5	72455432	1	CLAMP	
6	72315629	1	HEXAGONAL HEAD BOLT	DIN 933 M6 X 12-8.8A3L
7	72315636	1	HEXAGONAL HEAD BOLT	DIN 933 M6X40-8.8A3L
8	72315808	2	BANJO BOLT	DIN 7643-10-3-A3L
11	72315650		HEXAGONAL HEAD BOLT	DIN 933 M8 X 20-8.8A3L
12	72628771	1	HOLDER	
13	72474412	2	VENTILATION FILTER INCLUDES ITEMS 14	
14	72313441	2	O-RING	18,72X2,62-NBR 70 FWN56402
15	72628831	1	HOLDER	
20	72629027	1	TUBE	
21	72427121	1	SCREW	DIN908*VSTIM14X1,5-ED-FPM
23	72315642	1	HEXAGONAL HEAD BOLT	DIN 933 M8 X 16-8.8A3L

FENDT 211F VARIO S3 (WAM243XXX00F00101-99999)  
17876367-M-1



17876367-M-1

Item	Part Number	Qty	Description Comments	Technical Specification
1	72628645	1	BOOST PIPE	
2	72313367	1	CONNECTING NUT	DIN3870 AL15/M22X1.5-9S20K A3L
3	72314781	1	PLUG NECK	FWN 65713-15L-A3L
4	72438335	1	ADJUSTABLE L-THREADED CONNECTION	
8	72441579	1	FLANGE	
9	72315650	3	HEXAGONAL HEAD BOLT	DIN 933 M8 X 20-8.8A3L
10	72311824	3	DISC	DIN9021-8,4-140HV-A3L
11	72376542	1	O-RING	42X2,5-FPM 80-FWN56402
15	72628644	1	BOOST PIPE	
16	72475625	1	COMPRESSION FLANGE	
17	72315460	4	SOCKET HEAD BOLT	DIN 912 M6X16-8.8
18	72313441	1	O-RING	18,72X2,62-NBR 70 FWN56402
19	72376476	1	O-RING	22X3-NBR 70 FWN56402
25	72475631	1	SUCTION FLANGE	
26	72315463	2	SOCKET HEAD BOLT	DIN 912-M6X18-8.8-A3L
27	72313447	1	O-RING	22,3X2,4-NBR 70-FWN56402
28	72311168	1	HOSE CLIP	
30	72436468	1	OIL FILTER ELEMENT	
31	72475637	1	COVER INCLUDES ITEMS 34	
32	72436853	1	SCREW INCLUDES ITEMS 33	
33	72493820	1	O-RING	
34	72474606	1	O-RING	117X4 MM
37	72315650	5	HEXAGONAL HEAD BOLT	DIN 933 M8 X 20-8.8A3L
38	72311788	5	DISC	DIN 125-8,4-ST.A3L

FENDT 211F VARIO S3 (WAM243XXX00F00101-99999)  
AP\_ENGAS\_3CYL

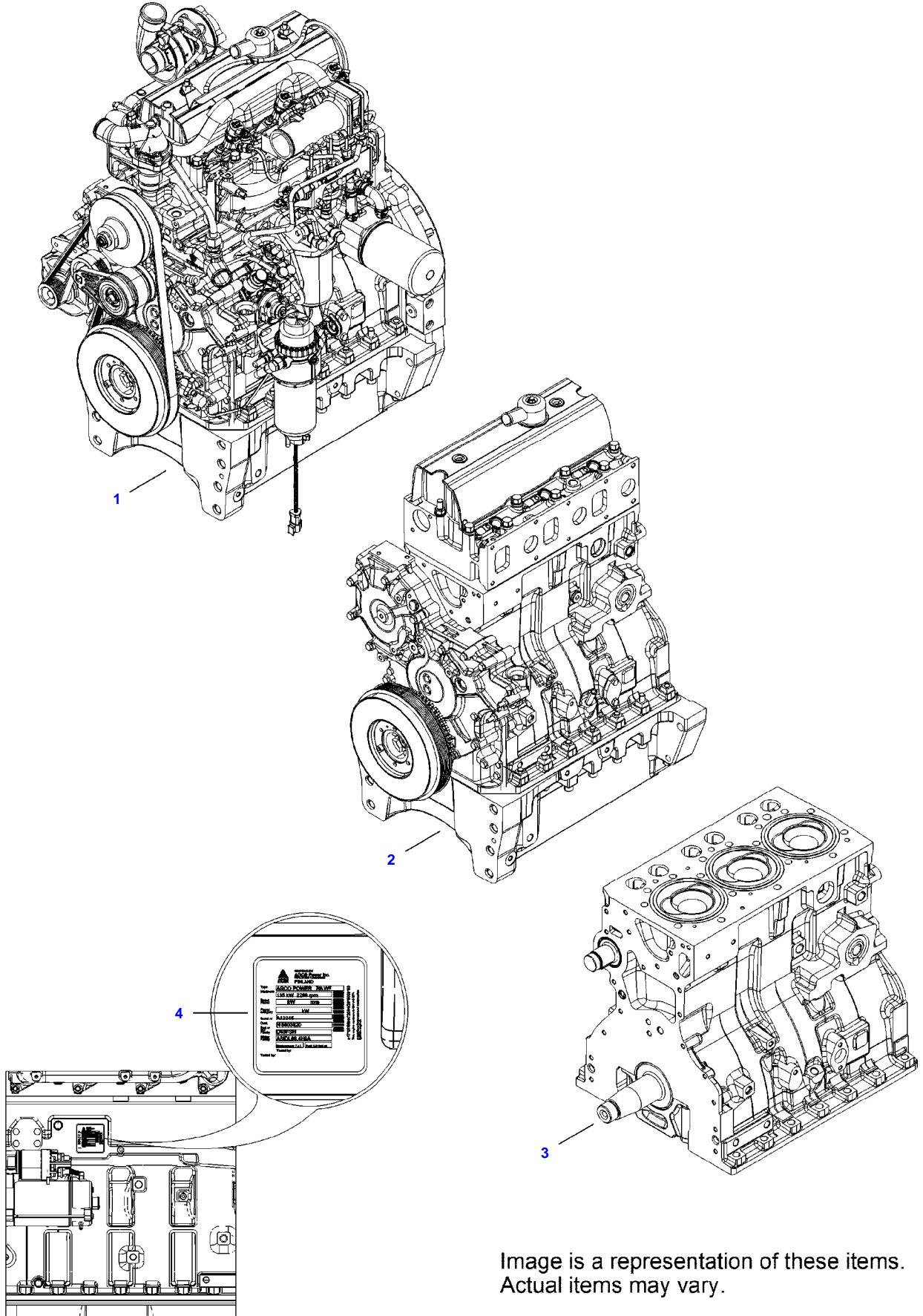


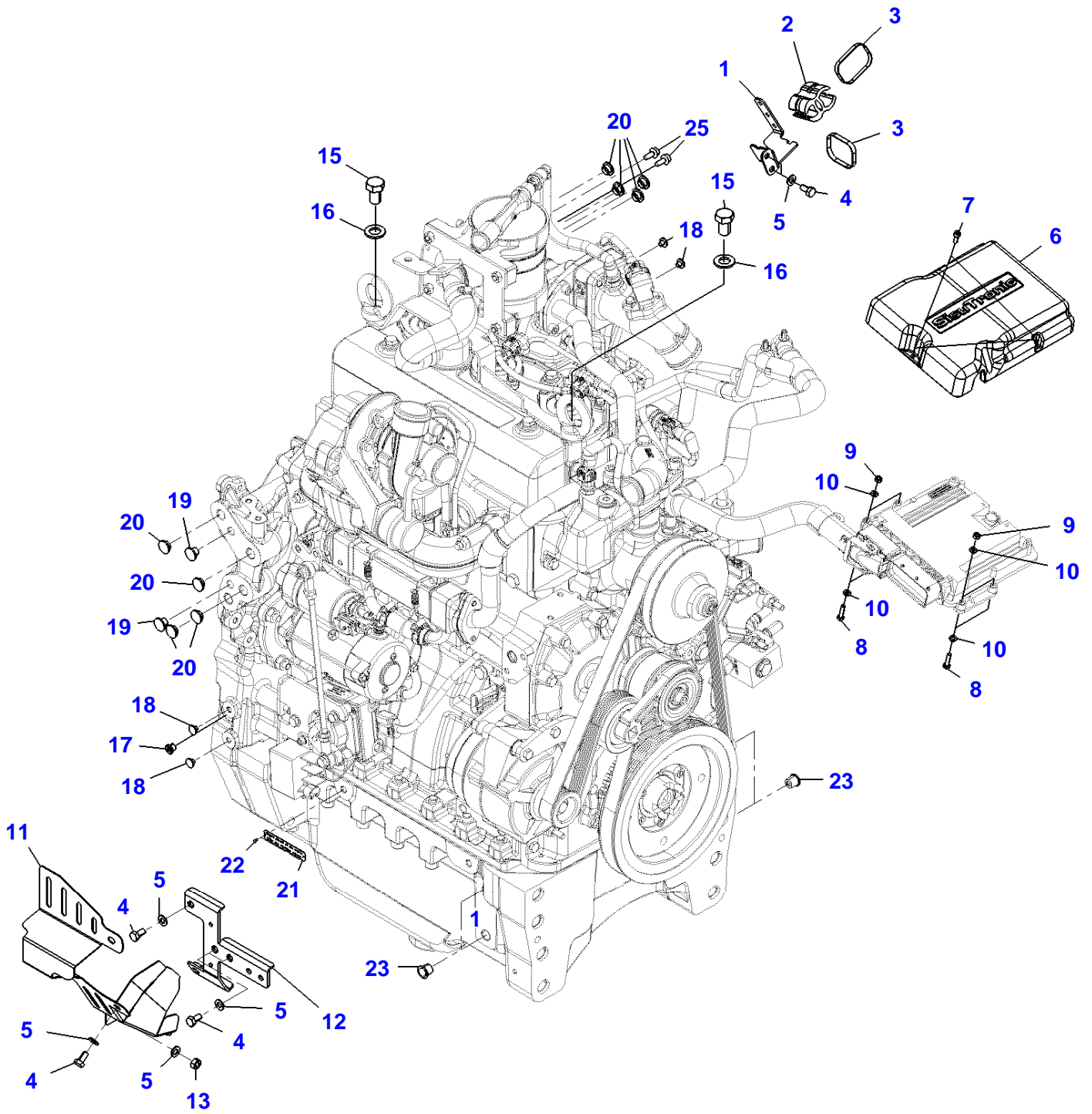
Image is a representation of these items.  
Actual items may vary.

**ENGINE ASSEMBLIES**

---

<b>Item</b>	<b>Part Number</b>	<b>Qty</b>	<b>Description Comments</b>	<b>Technical Specification</b>
1	V834277842	1	ENGINE	33 AWI
2	V864291641V	1	LONG BLOCK ENGINE	33 AWI
3	V864291642X	1	SHORT BLOCK ENGINE	33 AWI
4	V837079921	1	LABEL ENGINE TYPE PLATE	

FENDT 211F VARIO S3 (WAM243XXX00F00101-99999)  
18140872-M-3

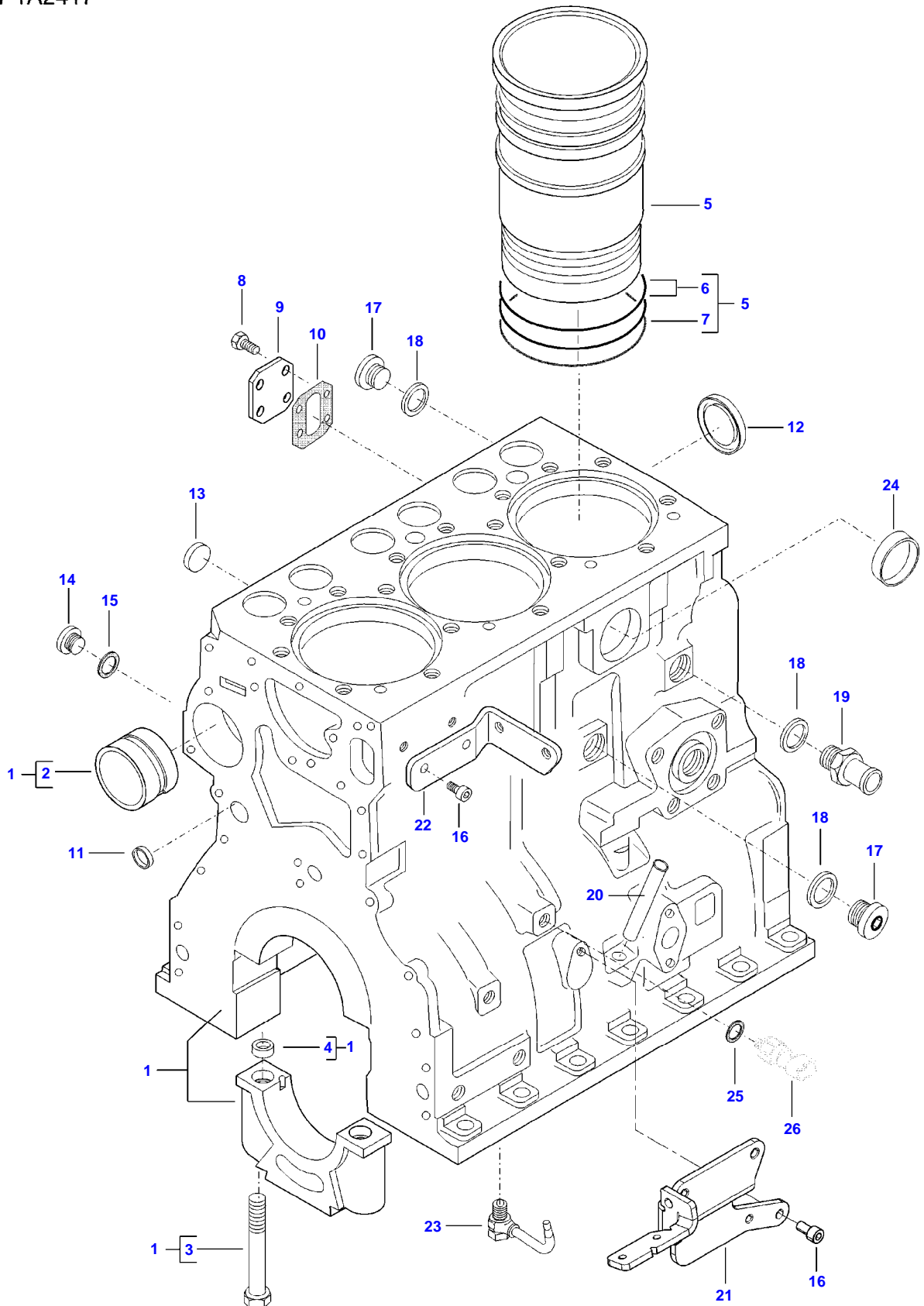


18140872-M-3

Item	Part Number	Qty	Description Comments	Technical Specification
1	72628814	1	HOLDER	
2	72486891	1	HOLDER	
3	72316913	2	CABLE STRAP	FWN 66650 B360X7,5-SW
4	72315642	6	HEXAGONAL HEAD BOLT	DIN 933 M8 X 16-8.8A3L
5	72311788	7	DISC	DIN 125-8,4-ST.A3L
6	72605912	1	COVERING	EDC
7	72612487	3	SOCKET HEAD BOLT	DIN 912 M6X16-8.8 A3L
8	72315633	4	HEXAGONAL HEAD BOLT	DIN 933 M6X25-8.8A3L
9	72313266	4	NUT	DIN 934 M6-8A3L
10	72311787	8	DISC	DIN 125-6,4-ST.A3L
11	72609473	1	COVER	RE
12	72604736	1	RETAINING SHEET METAL	RE
13	72313268	1	NUT	DIN 934 M8-8A3L
15	72315730	2	HEXAGONAL HEAD BOLT	DIN 933 M16X25-8.8A3L
16	72311793	2	DISC	DIN 125-17-ST.A3L
17	72314744	1	LOCKING PLUG	F4
18	72314743	4	LOCKING PLUG	F2
19	72314765	2	LOCKING PLUG	
20	72314748	8	LOCKING PLUG	SW-F11
21	72452403	1	MARKING PLATE	
22	72313751	2	SLOTTED PIN	DIN 1476-3X5-AL
23	72314742	4	PROTECTIVE PLUG	UNIV.
25	ACW0775830	2	HEXAGON FLANGE BOLT	EN1665 M8X1.25X20-8 VDA30

FENDT 211F VARIO S3 (WAM243XXX00F00101-99999)  
AP1A2417

AP1A2417





**Suggest:**

**For more complete manuals. Please go to the home page.**

**<https://www.ebooklibonline.com>**

**If the above button click is invalid. Please download this document first, and then click the above link to download the complete manual.**

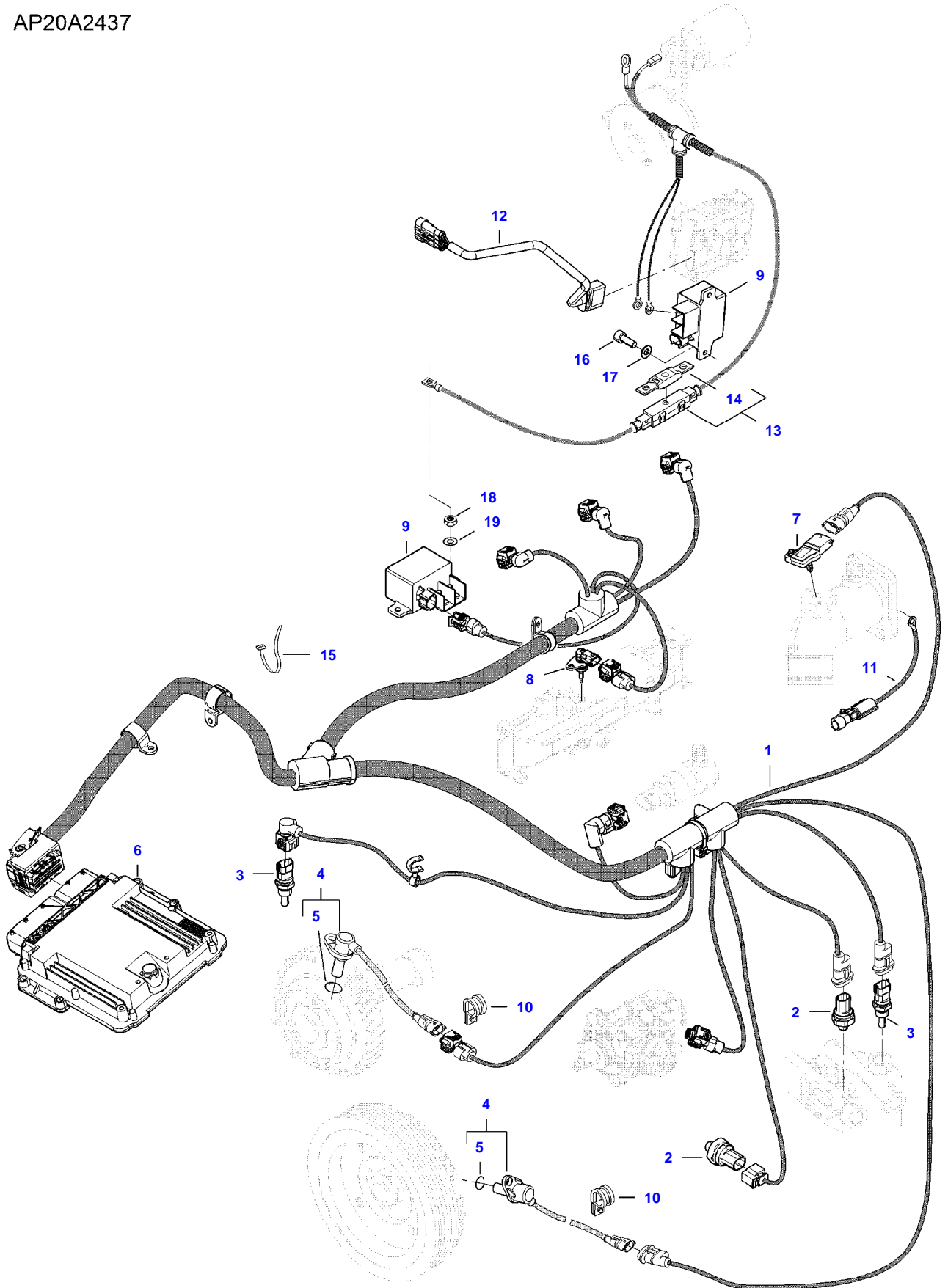
**Thank you so much for reading**

## CYLINDER BLOCK

Item	Part Number	Qty	Description Comments
1	V837070453	1	CYLINDER BLOCK
2	V836866069	1	CAMSHAFT BEARING BUSHING (1)
3	V835329030	8	HEX CAP SCREW (1)
4	V836214478	8	GUIDE SLEEVE (1)
5	V836673191	3	LINER
6	V836647502	6	CYLINDER LINER O-RING (5) [B]
7	V836647503	3	CYLINDER LINER O-RING (5) [B]
8	V528801362	4	HEX CAP SCREW
9	V836866957	1	COVER
10	V836866958	1	GASKET [B]
11	V640016016	4	CUP PLUG [B]
12	V836529872	1	PLUG
13	V640016018	1	CUP PLUG
14	V640325110	3	SCREW PLUG
15	V615871014	3	SEALING WASHER [B]
16	V581804580	5	HEX SOCKET SCREW
17	V640325018	2	PLUG
18	V615881824	3	SEALING WASHER [B]
19	V836119837	1	HOSE COUPLER
20	V836666910	1	OIL DIPSTICK GUIDE PIPE
21	V837086143	1	FUEL FILTER BRACKET
22	V837074723	1	BRACKET
23	V837074224	3	PISTON COOLING JET
24	V640016040	1	CUP PLUG
25	V615871016	1	SEALING WASHER [B]
26		1	SEE PAGE 01-0020 [B] INCLUDED IN COMPLETE ENGINE GASKET KIT 2

FENDT 211F VARIO S3 (WAM243XXX00F00101-99999)  
AP20A2437

AP20A2437



**<https://www.ebooklibonline.com>**

Hello dear friend!

Thank you very much for reading.

Enter the link into your browser.

The full manual is available for immediate download.

**<https://www.ebooklibonline.com>**