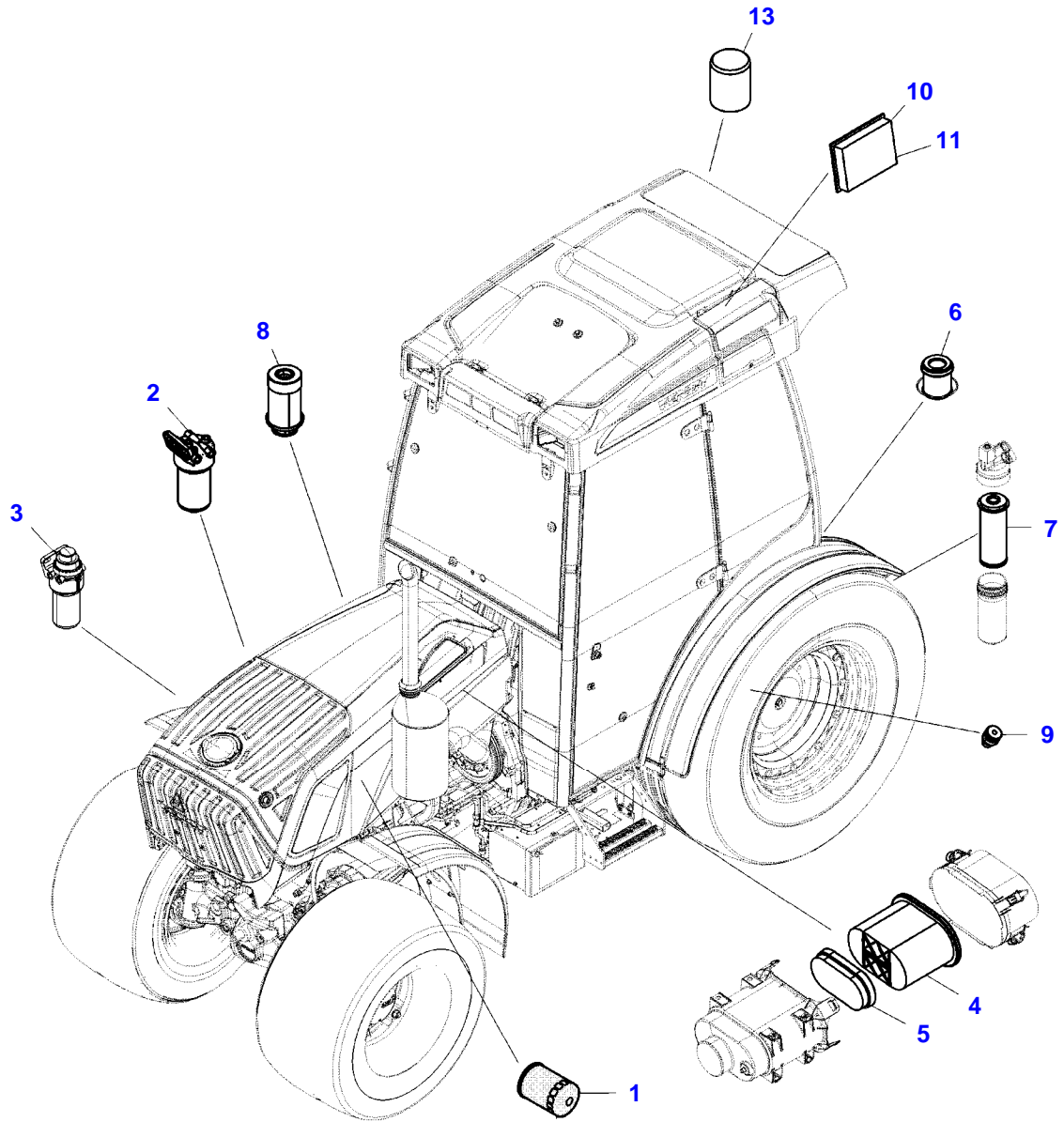


| <b>Page Number</b> | <b>Page Title</b>                   | <b>Page Reference</b> |
|--------------------|-------------------------------------|-----------------------|
| 01-000-TOC         | ENGINE, FUEL AND EXHAUST SYSTEM     | 01-000-TOC            |
| 02-000-TOC         | AXLES                               | 02-000-TOC            |
| 03-000-TOC         | STEERING SYSTEM                     | 03-000-TOC            |
| 04-000-TOC         | DRIVE TRAIN SYSTEM                  | 04-000-TOC            |
| 05-000-TOC         | COMPRESSED AIR SYSTEM               | 05-000-TOC            |
| 06-000-TOC         | HYDRAULIC SYSTEM                    | 06-000-TOC            |
| 07-000-TOC         | ELECTRICAL SYSTEM                   | 07-000-TOC            |
| 08-000-TOC         | CAB                                 | 08-000-TOC            |
| 09-000-TOC         | AIR CONDITIONING AND HEATING SYSTEM | 09-000-TOC            |
| 10-000-TOC         | CHASSIS                             | 10-000-TOC            |
| 11-000-TOC         | WHEELS                              | 11-000-TOC            |
| 12-000-TOC         | IMPLEMENT LIFT SYSTEM FRONT         | 12-000-TOC            |
| 13-000-TOC         | IMPLEMENT LIFT SYSTEM REAR          | 13-000-TOC            |
| 14-000-TOC         | LINKAGE                             | 14-000-TOC            |
| 15-000-TOC         | ACCESSORIES                         | 15-000-TOC            |

| Page Number | Page Title                                 | Page Reference |
|-------------|--------------------------------------------|----------------|
| 01-0001     | FILTERS - OVERVIEW                         | 2216887        |
| 01-0002     | ENGINE ASSEMBLIES                          | 2210490        |
| 01-0003     | ENGINE - RETAINER                          | 2219287        |
| 01-0004     | CYLINDER BLOCK                             | 2210499        |
| 01-0005     | TIMING GEARS AND HOUSING                   | 2211025        |
| 01-0006     | FLYWHEEL AND FLYWHEEL HOUSING              | 2211109        |
| 01-0007     | CRANKSHAFT AND PISTONS                     | 2211111        |
| 01-0008     | CAMSHAFT AND VALVE MECHANISM               | 2211113        |
| 01-0009     | CYLINDER HEAD                              | 2211161        |
| 01-0010     | VALVE ROCKER COVER                         | 2211287        |
| 01-0011     | INTAKE MANIFOLD                            | 2211619        |
| 01-0012     | TURBOCHARGER AND EXHAUST MANIFOLD          | 2215178        |
| 01-0013     | EXHAUST GAS RECIRCULATION (EGR)            | 2215348        |
| 01-0014     | OIL PUMP AND SUMP                          | 2215349        |
| 01-0015     | OIL COOLER AND FILTER                      | 2215352        |
| 01-0016     | CLOSED CRANKCASE VENTILATION (CCV)         | 2215412        |
| 01-0017     | COOLANT PUMP AND THERMOSTAT                | 2215455        |
| 01-0018     | FUEL INJECTION SYSTEM                      | 2215531        |
| 01-0019     | FUEL FILTERS                               | 2216167        |
| 01-0020     | ELECTRONIC ENGINE MANAGEMENT               | 2216543        |
| 01-0021     | ALTERNATOR                                 | 2216544        |
| 01-0022     | STARTER MOTOR                              | 2216545        |
| 01-0023     | ENGINE OVERHAUL PARTS                      | 2216560        |
| 01-0024     | SPECIAL OVERHAUL PARTS                     | 2327194        |
| 01-0025     | AIR CLEANER                                | 2218216        |
| 01-0026     | WATER COOLED RADIATOR                      | 2217031        |
| 01-0027     | EXPANSION TANK                             | 2217032        |
| 01-0028     | BOOST INTERCOOLING                         | 2218549        |
| 01-0029     | FUEL TANK                                  | 2218108        |
| 01-0030     | FUEL LINES                                 | 2218109        |
| 01-0031     | EXHAUST - EXHAUST AFTER-TREATMENT<br>LOWER | 2218459        |
| 01-0032     | EXHAUST - EXHAUST AFTER-TREATMENT<br>TOP   | 2218460        |
| 01-0033     | VISCO FAN                                  | 2216897        |
| 01-0034     | VISCO FAN - REVERSIBLE FAN                 | 2216898        |
| 01-0035     | VALVE BLOCK ASSEMBLY - REVERSIBLE FAN      | 2256135        |
| 01-0036     | SPEED CONTROL<br>FOOT OPERATION            | 2218920        |
| 01-0037     | SPEED CONTROL<br>MANUAL OPERATION          | 2218900        |
| 01-0038     | ENGINE PRE-HEATER                          | 2218943        |

FENDT 209V VARIO S3 (WAM234XXX00F00101-99999)  
18067842-M-1



18067842-M-1

**<https://www.ebooklibonline.com>**

Hello dear friend!

Thank you very much for reading.

Enter the link into your browser.

The full manual is available for immediate download.

**<https://www.ebooklibonline.com>**

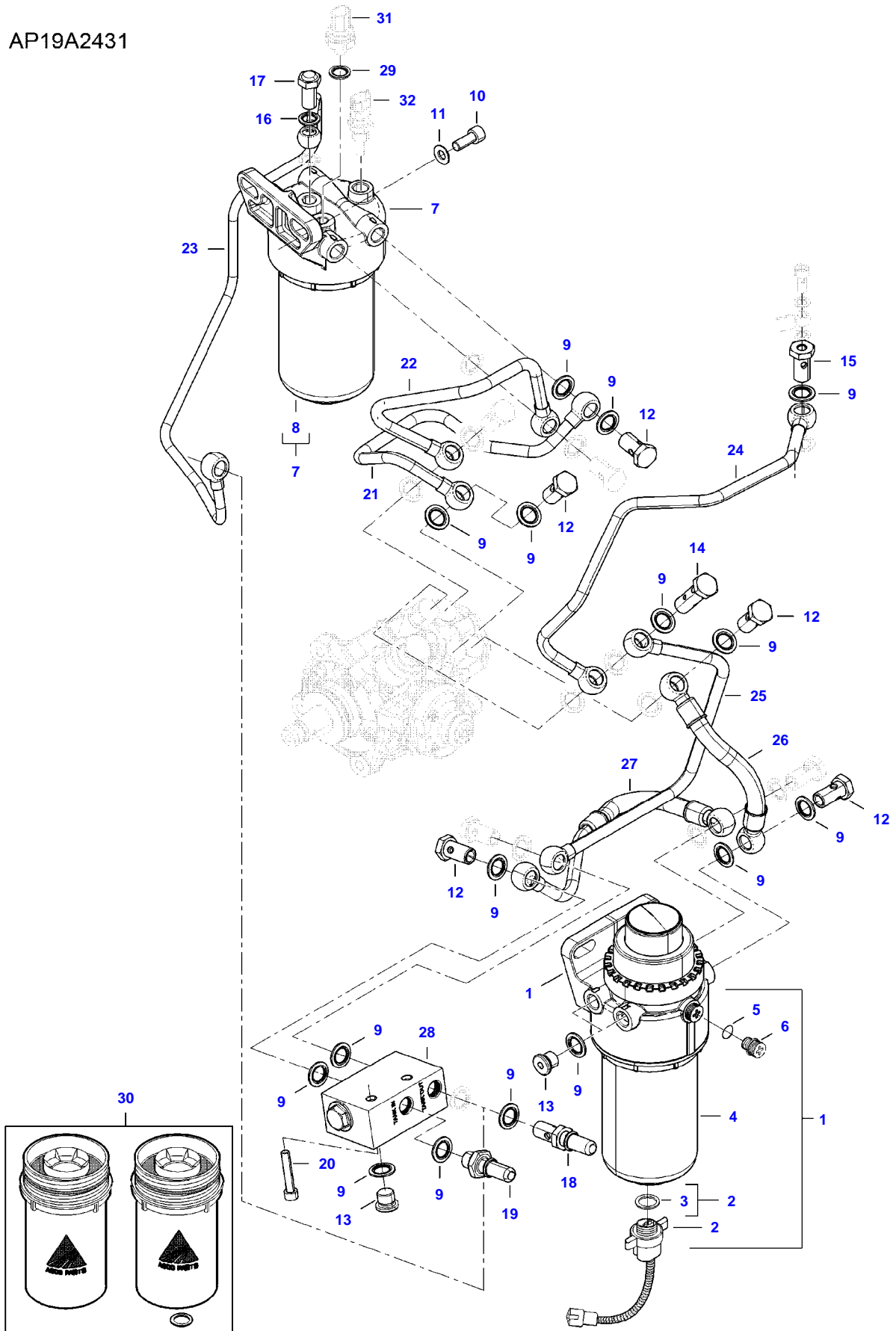
| Item | Part Number | Qty | Description<br>Comments                                            |
|------|-------------|-----|--------------------------------------------------------------------|
| 1    | V836479591  | 1   | ENGINE OIL FILTER<br>SEE PAGE 01-0015                              |
| 2    | V837086099  | 1   | MAIN FUEL FILTER<br>SEE PAGE 01-0019                               |
| 3    | V837086172  | 1   | FUEL PREFILTER<br>SEE PAGE 01-0019                                 |
| 4    | 72474352    | 1   | FILTER CARTRIDGE<br>SEE PAGE 01-0025                               |
| 5    | 72474353    | 1   | SAFETY CARTRIDGE<br>SEE PAGE 01-0025                               |
| 6    | 72474644    | 1   | SUCTION FILTER<br>TRANSMISSION<br>SEE PAGE 04-0029                 |
| 7    | 72311028    | 1   | FILTER ELEMENT<br>TRANSMISSION<br>OIL PRESSURE<br>SEE PAGE 04-0034 |
| 8    | 72436468    | 1   | OIL FILTER ELEMENT<br>OIL TANK<br>SEE PAGE 13-0007                 |
| 9    | 72474412    | 1   | VENTILATION FILTER<br>OIL TANK<br>SEE PAGE 13-0006                 |
| 10   | 72477670    | 1   | FILTER<br>FRESH AIR                                                |
| 11   | 72481531    | 1   | FILTER<br>ACTIVE COAL FILTER                                       |
| 13   | 72437515    | 1   | CARTRIDGE JET<br>AIR DRIER                                         |



| Item | Part Number | Qty | Description<br>Comments                                                                     |
|------|-------------|-----|---------------------------------------------------------------------------------------------|
| 1    | V836479591  | 1   | ENGINE OIL FILTER                                                                           |
| 2    | V836859699  | 1   | OIL COOLER                                                                                  |
| 3    | V836862235  | 1   | SEAL<br>(2)                                                                                 |
| 4    | V640004004  | 1   | PLUG<br>(2)                                                                                 |
| 5    | V836859700  | 1   | UNION                                                                                       |
| 6    | V602079516  | 4   | HOSE CLIP                                                                                   |
| 7    | V836859899  | 1   | RUBBER ELBOW                                                                                |
| 8    | V615881822  | 1   | SEALING WASHER<br>[B]                                                                       |
| 9    | V836673590  | 1   | RUBBER HOSE                                                                                 |
| 10   | V836673588  | 1   | PIPE                                                                                        |
| 11   | V641086015  | 1   | STRAIGHT FITTING                                                                            |
| 12   | V500050642  | 1   | WASHER                                                                                      |
| 13   | V602074615  | 1   | RETAINER CLAMP                                                                              |
| 14   | V528801062  | 1   | HEX CAP SCREW                                                                               |
| 15   | V837091147  | 1   | OIL PRESSURE CONTROL VALVE                                                                  |
| 16   |             | 1   | NOT AVAILABLE AS SINGLE PART<br>(15)                                                        |
| 17   | V836322190  | 1   | GASKET<br>(15)<br>[B]                                                                       |
| 18   | V837074289  | 1   | COVER<br>(15)                                                                               |
| 19   | V528801382  | 2   | HEX CAP SCREW<br>(15)                                                                       |
| 20   |             | 1   | NOT AVAILABLE AS SINGLE PART<br>(15)<br><b>[B] INCLUDED IN COMPLETE ENGINE GASKET KIT 2</b> |

FENDT 209V VARIO S3 (WAM234XXX00F00101-99999)  
AP19A2431

AP19A2431

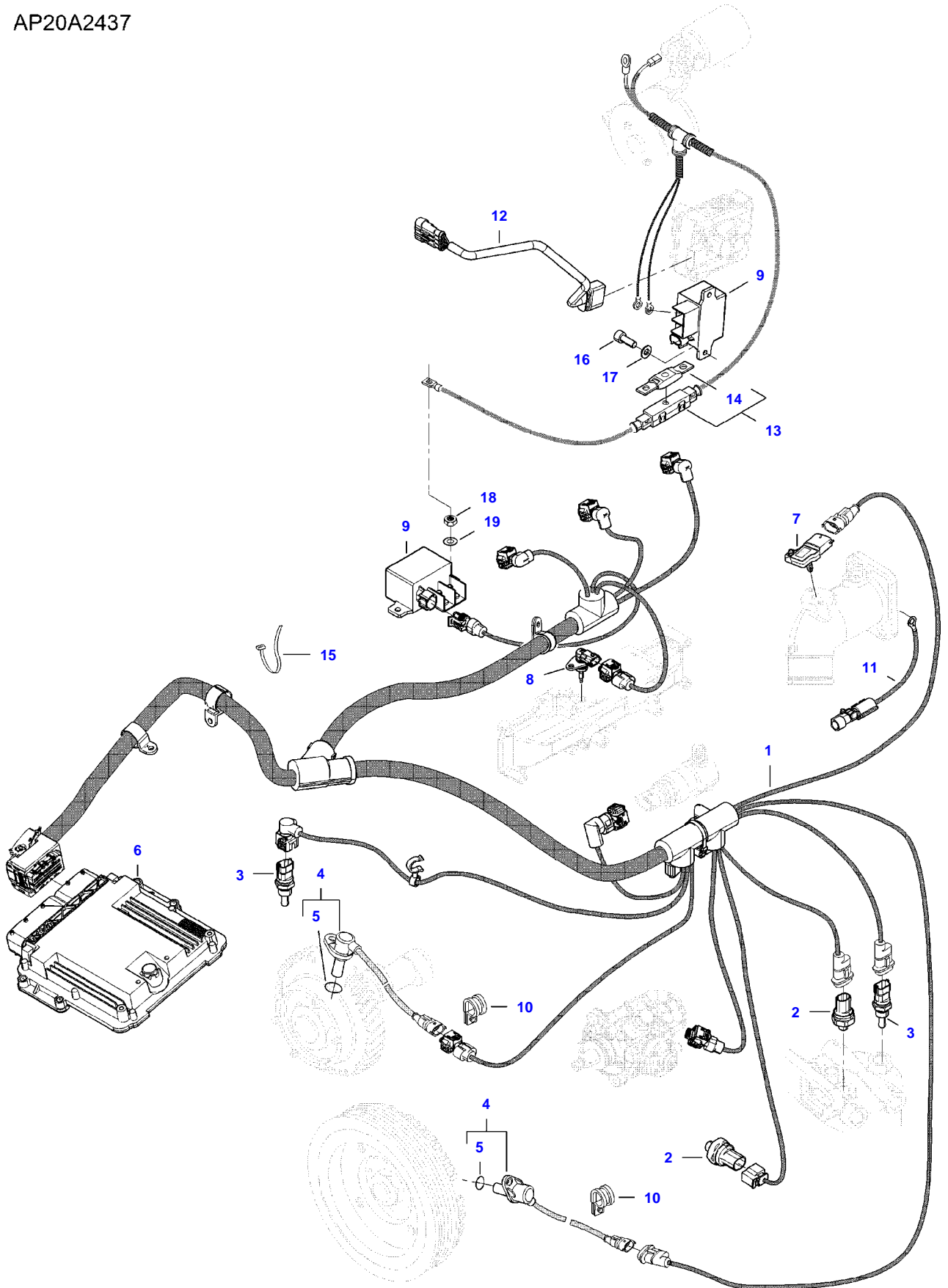


## FUEL FILTERS

| Item | Part Number | Qty | Description<br>Comments                                        |
|------|-------------|-----|----------------------------------------------------------------|
| 1    | V837086172  | 1   | FUEL PREFILTER                                                 |
| 2    | V837074054  | 1   | FUEL FILTER WATER ALARM<br>(1)                                 |
| 3    | V837091271  | 1   | SEAL<br>(1),(2),(30)                                           |
| 4    |             | 1   | NOT AVAILABLE AS SINGLE PART<br>(1),(30)                       |
| 5    | V837079628  | 1   | O-RING<br>(1)                                                  |
| 6    | V837079627  | 1   | BLEED SCREW<br>(1)                                             |
| 7    | V837086099  | 1   | MAIN FUEL FILTER                                               |
| 8    |             | 1   | NOT AVAILABLE AS SINGLE PART<br>(7),(30)                       |
| 9    | V836684770  | 29  | SEALING WASHER<br>[A]                                          |
| 10   | V581805022  | 4   | HEX SOCKET SCREW                                               |
| 11   | V500151052  | 4   | WASHER                                                         |
| 12   | V640435010  | 9   | BANJO BOLT                                                     |
| 13   | V640325014  | 3   | PLUG                                                           |
| 14   | V640425010  | 1   | DUAL BANJO BOLT                                                |
| 15   | V836007420  | 1   | BANJO BOLT                                                     |
| 16   | V836684769  | 2   | SEALING WASHER<br>[A]                                          |
| 17   | V837074134  | 1   | BANJO BOLT                                                     |
| 18   | V837074191  | 1   | QUICK COUPLER                                                  |
| 19   | V837086171  | 1   | QUICK COUPLER                                                  |
| 20   | V529801442  | 2   | HEX CAP SCREW                                                  |
| 21   | V837074725  | 1   | FUEL PIPE                                                      |
| 22   | V837074724  | 1   | FUEL PIPE                                                      |
| 23   | V837086181  | 1   | FUEL PIPE                                                      |
| 24   | V837086348  | 1   | FUEL PIPE                                                      |
| 25   | V837086178  | 1   | FUEL PIPE                                                      |
| 26   | V837086179  | 1   | FUEL HOSE                                                      |
| 27   | V837086180  | 1   | FUEL HOSE                                                      |
| 28   | V837086013  | 1   | FLOW CONTROL VALVE                                             |
| 29   | V615871016  | 1   | SEALING WASHER<br>[A]                                          |
| 30   | V837091129  | 1   | FUEL FILTER KIT                                                |
| 31   |             | 1   | SEE PAGE 01-0020                                               |
| 32   |             | 1   | SEE PAGE 01-0020<br>[A] INCLUDED IN CYLINDER HEAD GASKET KIT 1 |

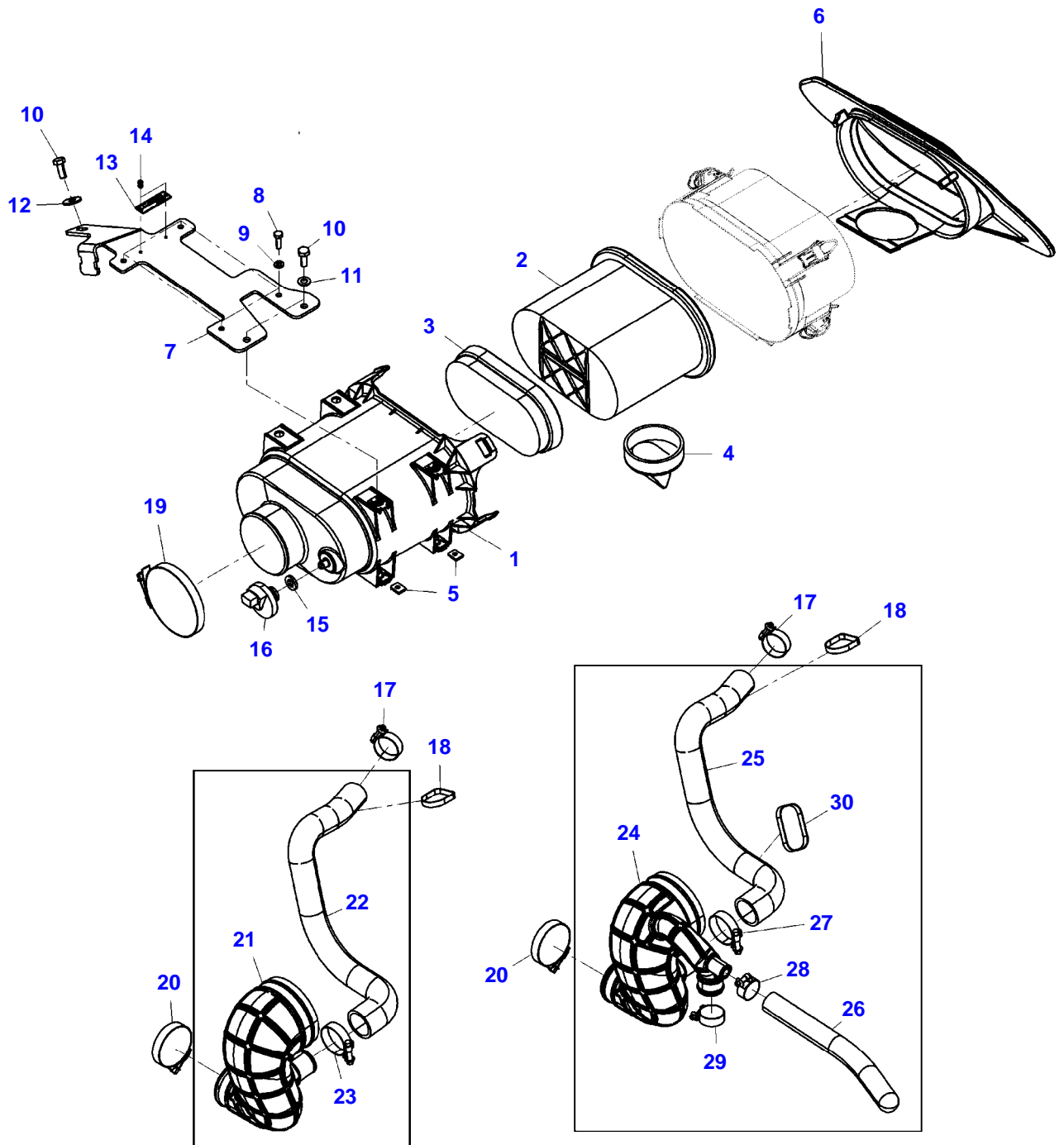
FENDT 209V VARIO S3 (WAM234XXX00F00101-99999)  
AP20A2437

AP20A2437



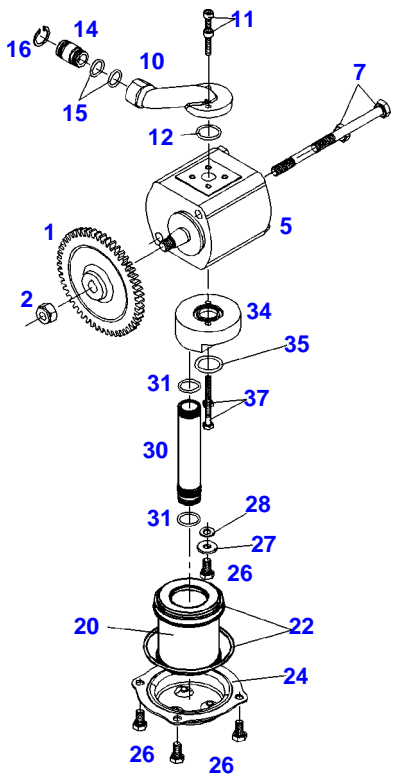
| Item | Part Number | Qty | Description<br>Comments |
|------|-------------|-----|-------------------------|
| 1    | V837086121  | 1   | ENGINE WIRE HARNESS     |
| 2    | V837070201  | 2   | PRESSURE SENSOR         |
| 3    | V836667732  | 2   | TEMPERATURE SENSOR      |
| 4    | V837070189  | 2   | SPEED SENSOR            |
| 5    | V614601718  | 2   | O-RING<br>(4)           |
| 6    | V837073357  | 1   | ENGINE CONTROL UNIT     |
| 7    | V837073934  | 1   | BOOST PRESSURE SENSOR   |
| 8    | V837074507  | 1   | TEMPERATURE SENSOR      |
| 9    | V837069047  | 2   | RELAY                   |
| 10   | V602060610  | 2   | RETAINER CLAMP          |
| 11   | V837073594  | 1   | WIRE                    |
| 12   | V837073595  | 1   | WIRE                    |
| 13   | V837073596  | 1   | WIRE                    |
| 14   | V836662501  | 1   | FUSE<br>(13)            |
| 15   | V651754720  | 10  | CABLE TIE               |
| 16   | V581804182  | 2   | HEX SOCKET SCREW        |
| 17   | V500150642  | 2   | WASHER                  |
| 18   | V504600602  | 2   | NUT                     |
| 19   | V500050642  | 2   | WASHER                  |

FENDT 209V VARIO S3 (WAM234XXX00F00101-99999)  
18114946-M-1



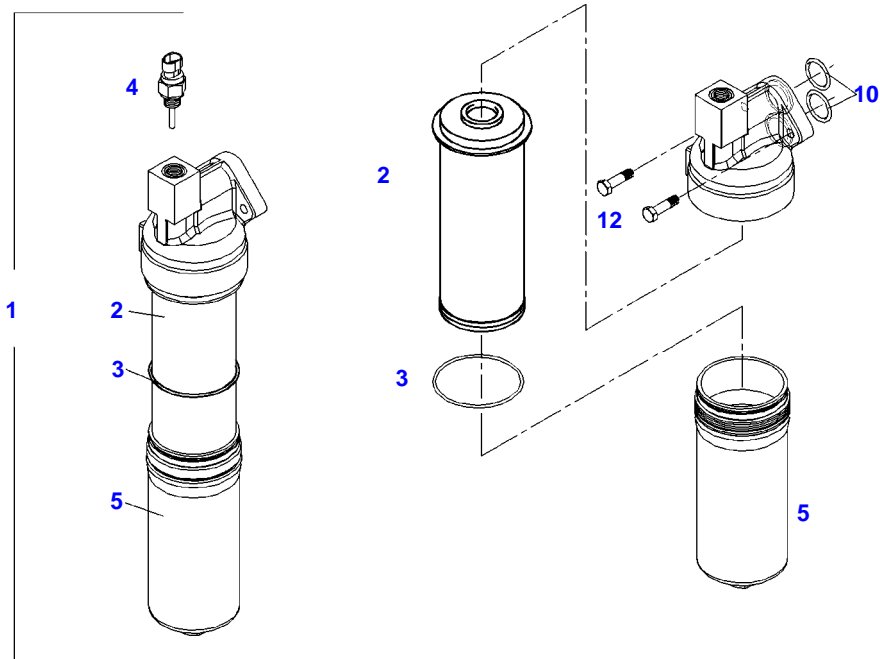
18114946-M-1

| Item | Part Number | Qty | Description<br>Comments                       | Technical Specification |
|------|-------------|-----|-----------------------------------------------|-------------------------|
| 1    | 72441307    | 1   | AIR FILTER<br>INCLUDES ITEMS<br>2-5           |                         |
| 2    | 72474352    | 1   | FILTER CARTRIDGE                              |                         |
| 3    | 72474353    | 1   | SAFETY CARTRIDGE                              |                         |
| 4    | 72441351    | 1   | DUST DISCHARGE VALVE                          |                         |
| 5    | 72474602    | 4   | U-CLAMP                                       |                         |
| 6    | 72629003    | 1   | AIR DUCT                                      |                         |
| 7    | 72628818    | 1   | HOLDER                                        |                         |
| 8    | 72315631    | 4   | HEXAGONAL HEAD BOLT                           | DIN 933 M6 X 20-8.8A3L  |
| 9    | 72311787    | 4   | DISC                                          | DIN 125-6,4-ST.A3L      |
| 10   | 72315650    | 3   | HEXAGONAL HEAD BOLT                           | DIN 933 M8 X 20-8.8A3L  |
| 11   | 72311788    | 2   | DISC                                          | DIN 125-8,4-ST.A3L      |
| 12   | 72311824    | 1   | DISC                                          | DIN9021-8,4-140HV-A3L   |
| 13   | 72628761    | 1   | IDENTIFICATION PLATE                          |                         |
| 14   | 72315252    | 2   | POP RIVET                                     | 3X8                     |
| 15   | 72311896    | 1   | FRICTION WASHER                               |                         |
| 16   | 72379889    | 1   | MAINTENANCE SWITCH                            |                         |
| 17   | 72311168    | 1   | HOSE CLIP                                     |                         |
| 18   | 72316913    | 1   | CABLE STRAP                                   | FWN 66650 B360X7,5-SW   |
| 19   | 72311172    | 1   | HOSE CLIP                                     |                         |
| 20   | 72311163    | 1   | HOSE CLIP                                     |                         |
| 21   | 72629020    | 1   | AIR INTAKE HOSE<br>WITHOUT BRAKIN SYSTEM      |                         |
| 22   | 72629100    | 1   | HOSE<br>WITHOUT BRAKIN SYSTEM                 |                         |
| 23   | 72311162    | 1   | HOSE CLIP<br>WITHOUT BRAKIN SYSTEM            |                         |
| 24   | 72629021    | 1   | AIR INTAKE HOSE<br>WITH AIR BRAKING EQUIPMENT |                         |
| 25   | 72629100    | 1   | HOSE<br>WITH AIR BRAKING EQUIPMENT            |                         |
| 26   | 72629101    | 1   | HOSE<br>WITH AIR BRAKING EQUIPMENT            |                         |
| 27   | 72311162    | 1   | HOSE CLIP<br>WITH AIR BRAKING EQUIPMENT       |                         |
| 28   | 72311167    | 1   | HOSE CLIP<br>WITH AIR BRAKING EQUIPMENT       |                         |
| 29   | 72311167    | 1   | HOSE CLIP<br>WITH AIR BRAKING EQUIPMENT       |                         |
| 30   | 72316913    | 1   | CABLE STRAP<br>WITH AIR BRAKING EQUIPMENT     | FWN 66650 B360X7,5-SW   |



037111

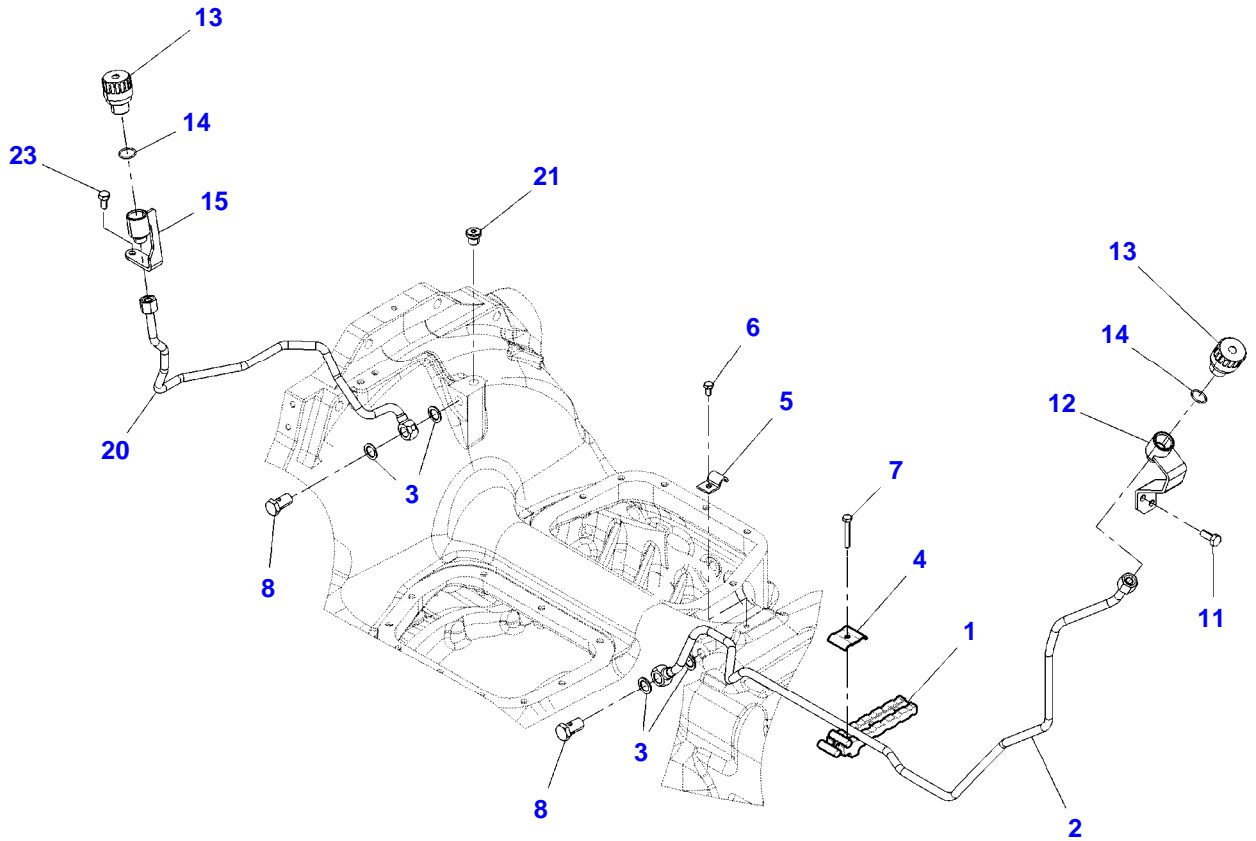
| Item | Part Number | Qty | Description<br>Comments                        | Technical Specification  |
|------|-------------|-----|------------------------------------------------|--------------------------|
|      |             |     | <b>GEAR BOX LUBRICATION<br/>SUCTION FILTER</b> |                          |
| 1    | 72441046    | 1   | SPUR GEAR<br>NUMBER OF TEETH/SPINES<br>52      |                          |
| 2    | 72313326    | 1   | NUT                                            | DIN 980-VM12X1,5-8-A3L   |
| 5    |             |     | SEE GEAR PUMP                                  |                          |
| 7    | 72418393    | 2   | HEXAGONAL HEAD BOLT                            | DIN 931 M10X100 GWA-1    |
| 10   | 72441048    | 1   | COMPRESSION FLANGE                             |                          |
| 11   | 72315465    | 2   | SOCKET HEAD BOLT                               | DIN 912 M6X25-8.8        |
| 12   | 72313447    | 1   | O-RING                                         | 22,3X2,4-NBR 70-FWN56402 |
| 14   | 72441047    | 1   | PIPE                                           |                          |
| 15   | 72492558    | 2   | O-RING                                         | 15,3X2,4-FPM 70          |
| 16   | 72375602    | 1   | LOCK WASHER                                    | DIN 472-22X1             |
| 20   | 72474644    | 1   | SUCTION FILTER<br>INCLUDES ITEMS<br>22         |                          |
| 22   | 72441052    | 1   | SEAL KIT                                       |                          |
| 24   | 72441051    | 1   | COVER                                          |                          |
| 26   | 72315642    | 4   | HEXAGONAL HEAD BOLT                            | DIN 933 M8 X 16-8.8A3L   |
|      | 72315648    | 1   | HEXAGONAL HEAD BOLT                            | DIN 933 M8X20-8.8        |
| 27   | 72311858    | 1   | DISC                                           |                          |
| 28   | 72311788    | 1   | DISC                                           | DIN 125-8,4-ST.A3L       |
| 30   | 72441049    | 1   | AIR INTAKE PORT                                |                          |
| 31   | 72376467    | 2   | O-RING                                         | 20,3X2,4-FPM 70 FWN56402 |
| 34   | 72441050    | 1   | ADAPTER                                        |                          |
| 35   | 72313452    | 1   | O-RING                                         | 24,2X3-FPM 70 FWN56402   |
| 37   | 72315635    | 2   | HEXAGONAL HEAD BOLT                            | DIN 933 M6X35-8.8A3L     |



037101

| Item | Part Number | Qty | Description<br>Comments         | Technical Specification |
|------|-------------|-----|---------------------------------|-------------------------|
|      |             |     | <b>PRESSURE FILTER</b>          |                         |
| 1    | 72425778    | 1   | FILTER<br>INCLUDES ITEMS<br>2-5 |                         |
| 2    | 72311028    | 1   | FILTER ELEMENT                  |                         |
| 3    | 72313495    | 1   | O-RING                          | 76X2,5-NBR 70 FWN56402  |
| 4    |             |     |                                 |                         |
|      |             |     | SEE ELECTRICAL SYSTEM SWITCH    |                         |
| 5    | 72425928    | 1   | HOUSING                         |                         |
| 10   | 72313459    | 2   | O-RING                          | 28X3-NBR 70 FWN56402    |
| 12   | 72315655    | 2   | HEXAGONAL HEAD BOLT             | DIN 933 M8X30-8.8       |

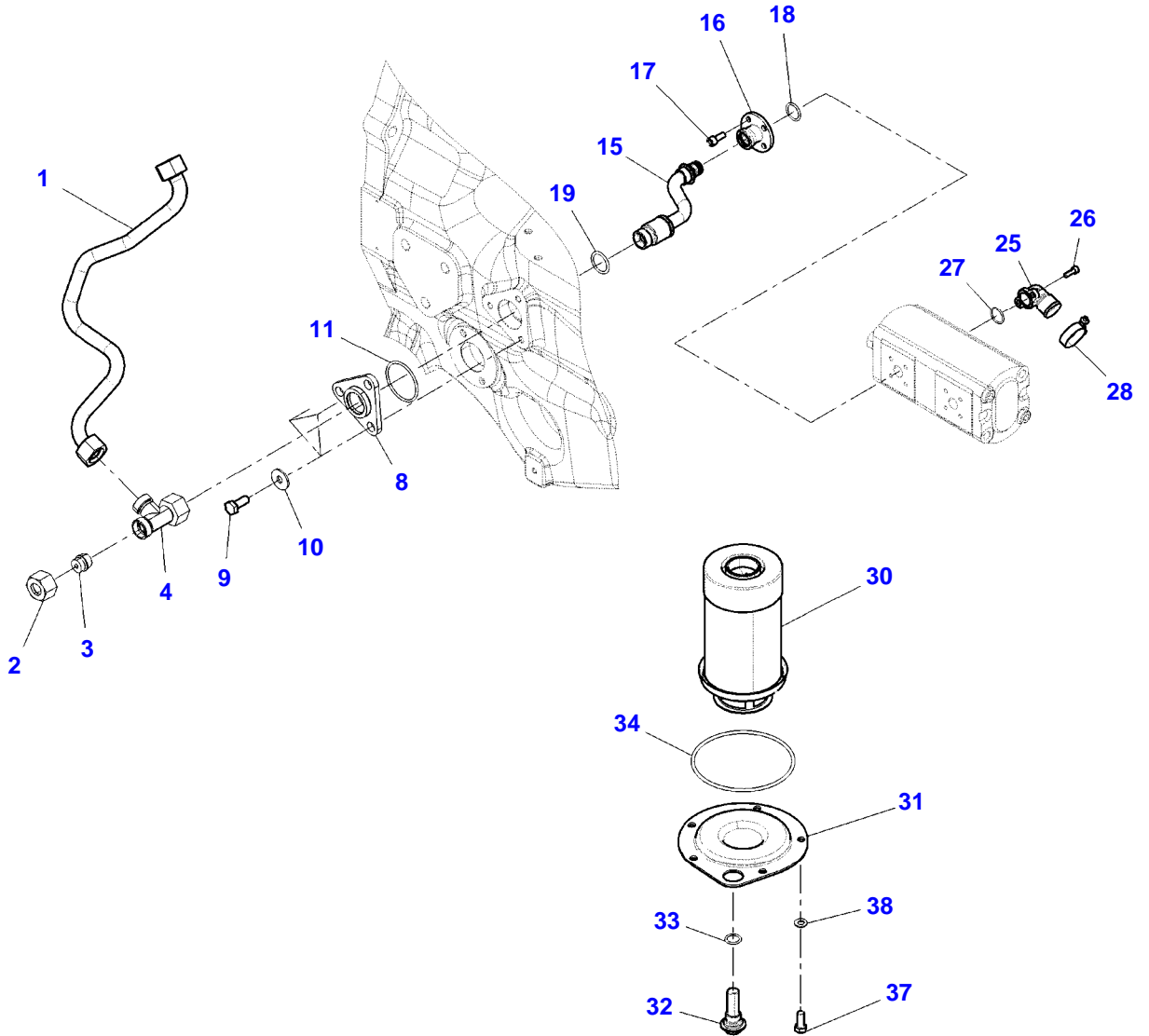
FENDT 209V VARIO S3 (WAM234XXX00F00101-99999)  
17863080-M-1



17863080-M-1

| Item | Part Number | Qty | Description<br>Comments                    | Technical Specification    |
|------|-------------|-----|--------------------------------------------|----------------------------|
| 1    | 72628512    | 1   | SPACER                                     |                            |
| 2    | 72629028    | 1   | TUBE                                       |                            |
| 3    | 72608905    | 4   | GASKETS                                    | 14X22X1,5                  |
| 4    | 72311266    | 1   | CLIP                                       |                            |
| 5    | 72455432    | 1   | CLAMP                                      |                            |
| 6    | 72315629    | 1   | HEXAGONAL HEAD BOLT                        | DIN 933 M6 X 12-8.8A3L     |
| 7    | 72315636    | 1   | HEXAGONAL HEAD BOLT                        | DIN 933 M6X40-8.8A3L       |
| 8    | 72315808    | 2   | BANJO BOLT                                 | DIN 7643-10-3-A3L          |
| 11   | 72315650    |     | HEXAGONAL HEAD BOLT                        | DIN 933 M8 X 20-8.8A3L     |
| 12   | 72628771    | 1   | HOLDER                                     |                            |
| 13   | 72474412    | 2   | VENTILATION FILTER<br>INCLUDES ITEMS<br>14 |                            |
| 14   | 72313441    | 2   | O-RING                                     | 18,72X2,62-NBR 70 FWN56402 |
| 15   | 72628831    | 1   | HOLDER                                     |                            |
| 20   | 72629027    | 1   | TUBE                                       |                            |
| 21   | 72427121    | 1   | SCREW                                      | DIN908*VSTIM14X1,5-ED-FPM  |
| 23   | 72315642    | 1   | HEXAGONAL HEAD BOLT                        | DIN 933 M8 X 16-8.8A3L     |

FENDT 209V VARIO S3 (WAM234XXX00F00101-99999)  
17876367-M-1



17876367-M-1

## OIL TANK

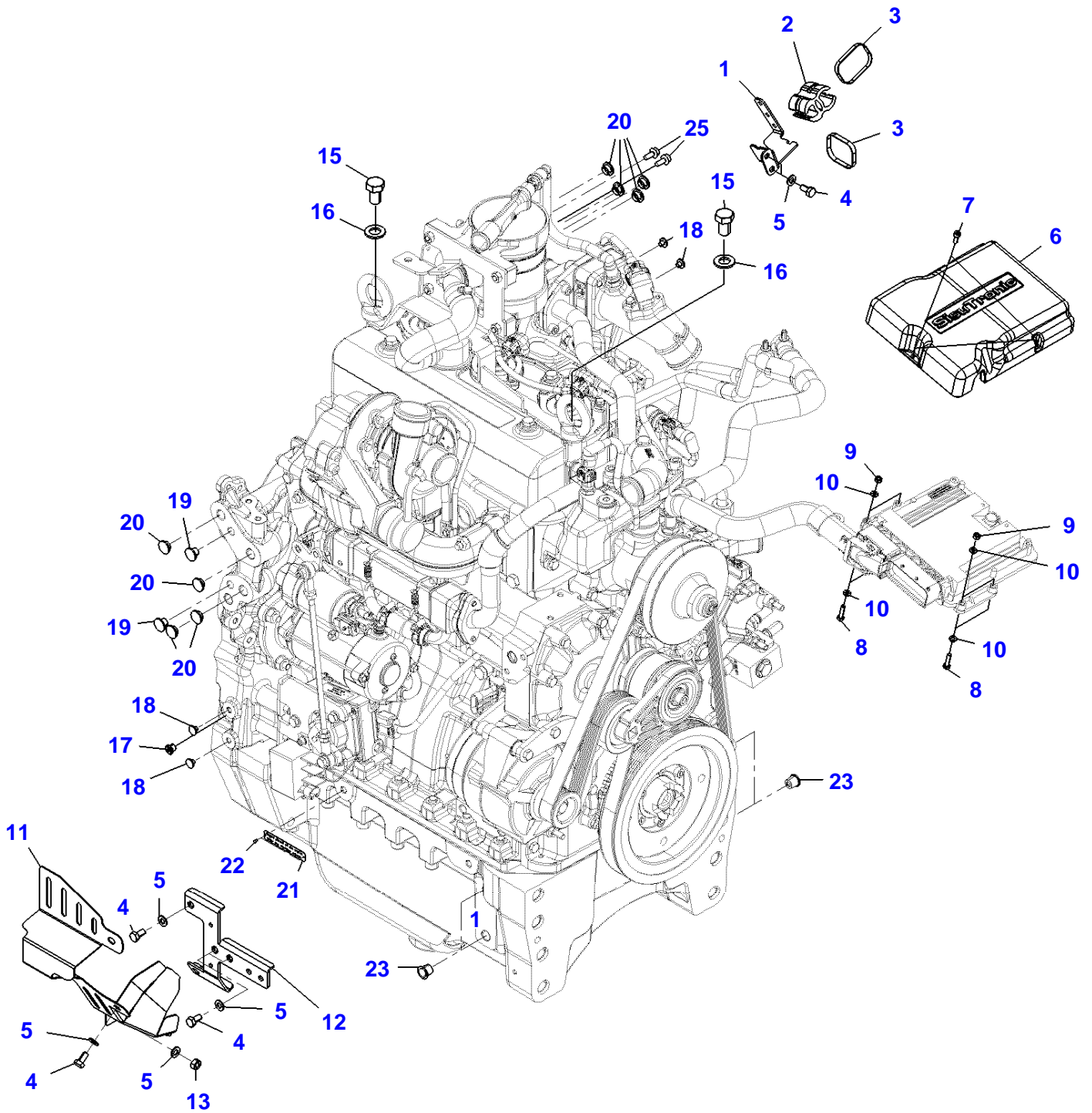
| Item | Part Number | Qty | Description<br>Comments          | Technical Specification        |
|------|-------------|-----|----------------------------------|--------------------------------|
| 1    | 72628645    | 1   | BOOST PIPE                       |                                |
| 2    | 72313367    | 1   | CONNECTING NUT                   | DIN3870 AL15/M22X1.5-9S20K A3L |
| 3    | 72314781    | 1   | PLUG NECK                        | FWN 65713-15L-A3L              |
| 4    | 72438335    | 1   | ADJUSTABLE L-THREADED CONNECTION |                                |
| 8    | 72441579    | 1   | FLANGE                           |                                |
| 9    | 72315650    | 3   | HEXAGONAL HEAD BOLT              | DIN 933 M8 X 20-8.8A3L         |
| 10   | 72311824    | 3   | DISC                             | DIN9021-8,4-140HV-A3L          |
| 11   | 72376542    | 1   | O-RING                           | 42X2,5-FPM 80-FWN56402         |
| 15   | 72628644    | 1   | BOOST PIPE                       |                                |
| 16   | 72475625    | 1   | COMPRESSION FLANGE               |                                |
| 17   | 72315460    | 4   | SOCKET HEAD BOLT                 | DIN 912 M6X16-8.8              |
| 18   | 72313441    | 1   | O-RING                           | 18,72X2,62-NBR 70 FWN56402     |
| 19   | 72376476    | 1   | O-RING                           | 22X3-NBR 70 FWN56402           |
| 25   | 72475631    | 1   | SUCTION FLANGE                   |                                |
| 26   | 72315463    | 2   | SOCKET HEAD BOLT                 | DIN 912-M6X18-8.8-A3L          |
| 27   | 72313447    | 1   | O-RING                           | 22,3X2,4-NBR 70-FWN56402       |
| 28   | 72311168    | 1   | HOSE CLIP                        |                                |
| 30   | 72436468    | 1   | OIL FILTER ELEMENT               |                                |
| 31   | 72475637    | 1   | COVER<br>INCLUDES ITEMS<br>34    |                                |
| 32   | 72436853    | 1   | SCREW<br>INCLUDES ITEMS<br>33    |                                |
| 33   | 72493820    | 1   | O-RING                           |                                |
| 34   | 72474606    | 1   | O-RING                           | 117X4 MM                       |
| 37   | 72315650    | 5   | HEXAGONAL HEAD BOLT              | DIN 933 M8 X 20-8.8A3L         |
| 38   | 72311788    | 5   | DISC                             | DIN 125-8,4-ST.A3L             |



**ENGINE ASSEMBLIES**

| <b>Item</b> | <b>Part Number</b> | <b>Qty</b> | <b>Description<br/>Comments</b> | <b>Technical Specification</b> |
|-------------|--------------------|------------|---------------------------------|--------------------------------|
| 1           | V834277842         | 1          | ENGINE                          | 33 AWI                         |
| 2           | V864291641V        | 1          | LONG BLOCK ENGINE               | 33 AWI                         |
| 3           | V864291642X        | 1          | SHORT BLOCK ENGINE              | 33 AWI                         |
| 4           | V837079921         | 1          | LABEL<br>ENGINE TYPE PLATE      |                                |

FENDT 209V VARIO S3 (WAM234XXX00F00101-99999)  
18140872-M-3

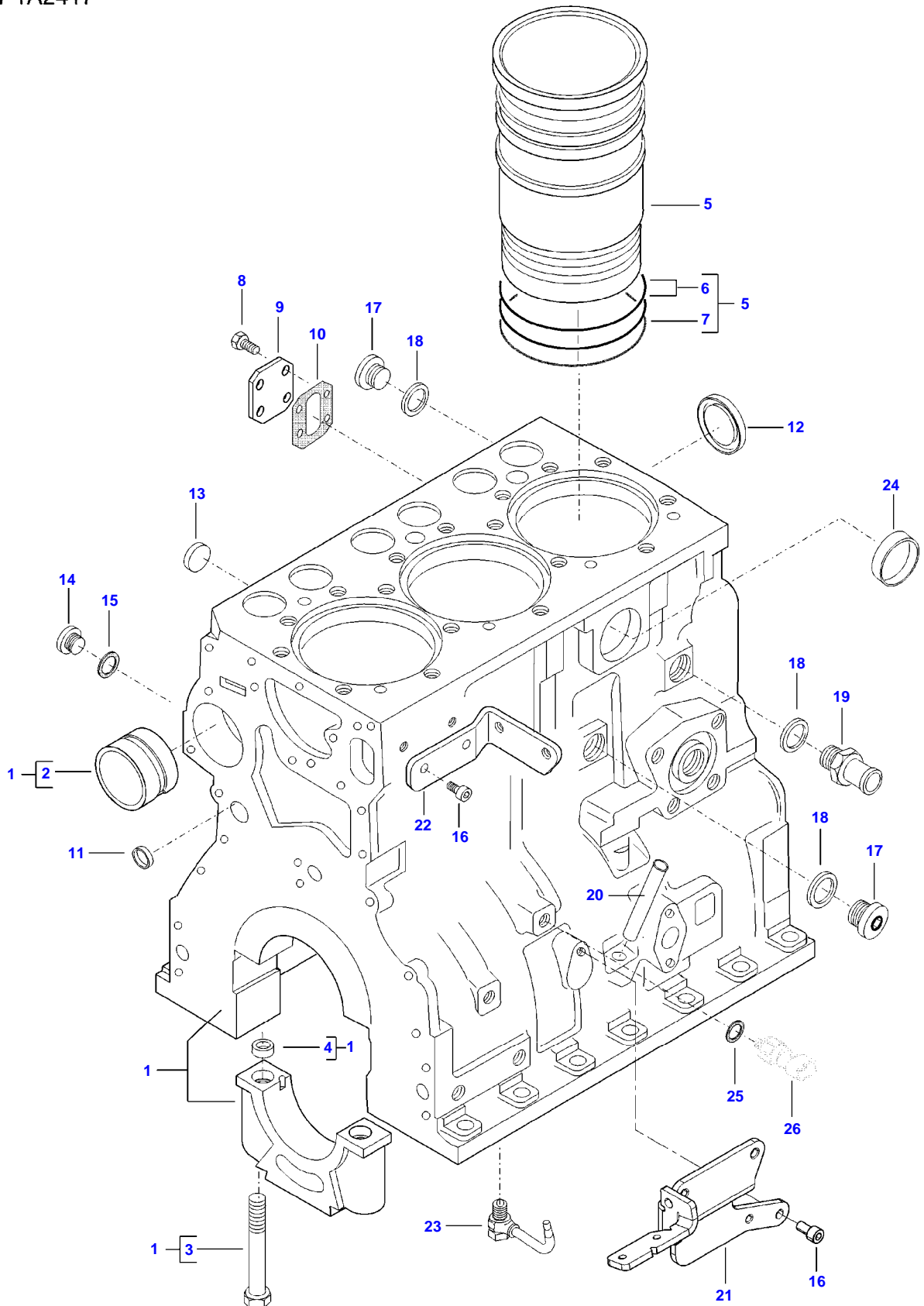


18140872-M-3

| Item | Part Number | Qty | Description<br>Comments | Technical Specification   |
|------|-------------|-----|-------------------------|---------------------------|
| 1    | 72628814    | 1   | HOLDER                  |                           |
| 2    | 72486891    | 1   | HOLDER                  |                           |
| 3    | 72316913    | 2   | CABLE STRAP             | FWN 66650 B360X7,5-SW     |
| 4    | 72315642    | 6   | HEXAGONAL HEAD BOLT     | DIN 933 M8 X 16-8.8A3L    |
| 5    | 72311788    | 7   | DISC                    | DIN 125-8,4-ST.A3L        |
| 6    | 72605912    | 1   | COVERING                | EDC                       |
| 7    | 72612487    | 3   | SOCKET HEAD BOLT        | DIN 912 M6X16-8.8 A3L     |
| 8    | 72315633    | 4   | HEXAGONAL HEAD BOLT     | DIN 933 M6X25-8.8A3L      |
| 9    | 72313266    | 4   | NUT                     | DIN 934 M6-8A3L           |
| 10   | 72311787    | 8   | DISC                    | DIN 125-6,4-ST.A3L        |
| 11   | 72609473    | 1   | COVER                   | RE                        |
| 12   | 72604736    | 1   | RETAINING SHEET METAL   | RE                        |
| 13   | 72313268    | 1   | NUT                     | DIN 934 M8-8A3L           |
| 15   | 72315730    | 2   | HEXAGONAL HEAD BOLT     | DIN 933 M16X25-8.8A3L     |
| 16   | 72311793    | 2   | DISC                    | DIN 125-17-ST.A3L         |
| 17   | 72314744    | 1   | LOCKING PLUG            | F4                        |
| 18   | 72314743    | 4   | LOCKING PLUG            | F2                        |
| 19   | 72314765    | 2   | LOCKING PLUG            |                           |
| 20   | 72314748    | 8   | LOCKING PLUG            | SW-F11                    |
| 21   | 72452403    | 1   | MARKING PLATE           |                           |
| 22   | 72313751    | 2   | SLOTTED PIN             | DIN 1476-3X5-AL           |
| 23   | 72314742    | 4   | PROTECTIVE PLUG         | UNIV.                     |
| 25   | ACW0775830  | 2   | HEXAGON FLANGE BOLT     | EN1665 M8X1.25X20-8 VDA30 |

FENDT 209V VARIO S3 (WAM234XXX00F00101-99999)  
AP1A2417

AP1A2417



| Item | Part Number | Qty | Description<br>Comments                                          |
|------|-------------|-----|------------------------------------------------------------------|
| 1    | V837070453  | 1   | CYLINDER BLOCK                                                   |
| 2    | V836866069  | 1   | CAMSHAFT BEARING BUSHING<br>(1)                                  |
| 3    | V835329030  | 8   | HEX CAP SCREW<br>(1)                                             |
| 4    | V836214478  | 8   | GUIDE SLEEVE<br>(1)                                              |
| 5    | V836673191  | 3   | LINER                                                            |
| 6    | V836647502  | 6   | CYLINDER LINER O-RING<br>(5)<br>[B]                              |
| 7    | V836647503  | 3   | CYLINDER LINER O-RING<br>(5)<br>[B]                              |
| 8    | V528801362  | 4   | HEX CAP SCREW                                                    |
| 9    | V836866957  | 1   | COVER                                                            |
| 10   | V836866958  | 1   | GASKET<br>[B]                                                    |
| 11   | V640016016  | 4   | CUP PLUG<br>[B]                                                  |
| 12   | V836529872  | 1   | PLUG                                                             |
| 13   | V640016018  | 1   | CUP PLUG                                                         |
| 14   | V640325110  | 3   | SCREW PLUG                                                       |
| 15   | V615871014  | 3   | SEALING WASHER<br>[B]                                            |
| 16   | V581804580  | 5   | HEX SOCKET SCREW                                                 |
| 17   | V640325018  | 2   | PLUG                                                             |
| 18   | V615881824  | 3   | SEALING WASHER<br>[B]                                            |
| 19   | V836119837  | 1   | HOSE COUPLER                                                     |
| 20   | V836666910  | 1   | OIL DIPSTICK GUIDE PIPE                                          |
| 21   | V837086143  | 1   | FUEL FILTER BRACKET                                              |
| 22   | V837074723  | 1   | BRACKET                                                          |
| 23   | V837074224  | 3   | PISTON COOLING JET                                               |
| 24   | V640016040  | 1   | CUP PLUG                                                         |
| 25   | V615871016  | 1   | SEALING WASHER<br>[B]                                            |
| 26   |             | 1   | SEE PAGE 01-0020<br>[B] INCLUDED IN COMPLETE ENGINE GASKET KIT 2 |



**Suggest:**

**For more complete manuals. Please go to the home page.**

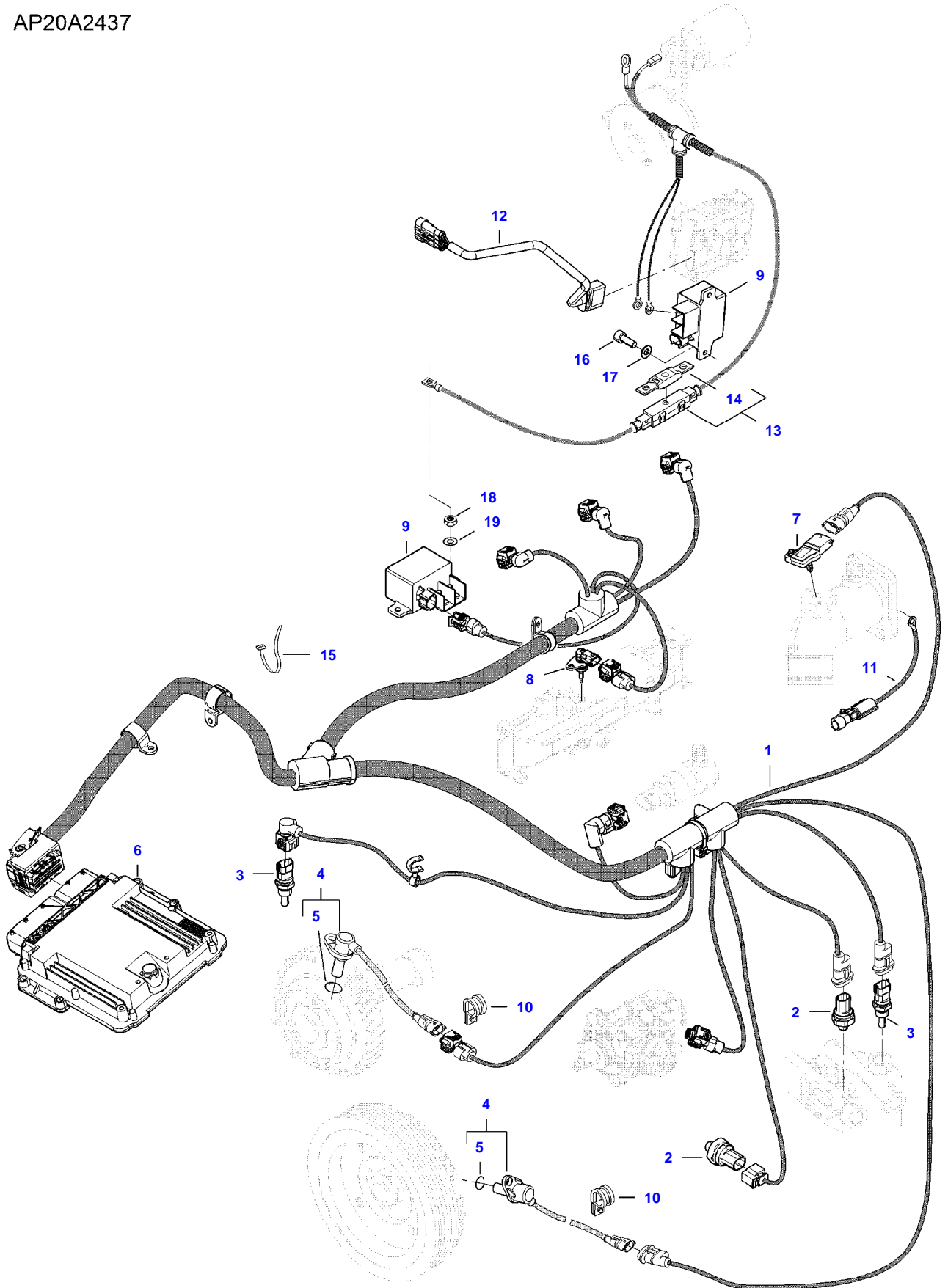
**<https://www.ebooklibonline.com>**

**If the above button click is invalid. Please download this document first, and then click the above link to download the complete manual.**

**Thank you so much for reading**

FENDT 209V VARIO S3 (WAM234XXX00F00101-99999)  
AP20A2437

AP20A2437



| Item | Part Number | Qty | Description<br>Comments |
|------|-------------|-----|-------------------------|
| 1    | V837086121  | 1   | ENGINE WIRE HARNESS     |
| 2    | V837070201  | 2   | PRESSURE SENSOR         |
| 3    | V836667732  | 2   | TEMPERATURE SENSOR      |
| 4    | V837070189  | 2   | SPEED SENSOR            |
| 5    | V614601718  | 2   | O-RING<br>(4)           |
| 6    | V837073357  | 1   | ENGINE CONTROL UNIT     |
| 7    | V837073934  | 1   | BOOST PRESSURE SENSOR   |
| 8    | V837074507  | 1   | TEMPERATURE SENSOR      |
| 9    | V837069047  | 2   | RELAY                   |
| 10   | V602060610  | 2   | RETAINER CLAMP          |
| 11   | V837073594  | 1   | WIRE                    |
| 12   | V837073595  | 1   | WIRE                    |
| 13   | V837073596  | 1   | WIRE                    |
| 14   | V836662501  | 1   | FUSE<br>(13)            |
| 15   | V651754720  | 10  | CABLE TIE               |
| 16   | V581804182  | 2   | HEX SOCKET SCREW        |
| 17   | V500150642  | 2   | WASHER                  |
| 18   | V504600602  | 2   | NUT                     |
| 19   | V500050642  | 2   | WASHER                  |

**<https://www.ebooklibonline.com>**

Hello dear friend!

Thank you very much for reading.

Enter the link into your browser.

The full manual is available for immediate download.

**<https://www.ebooklibonline.com>**