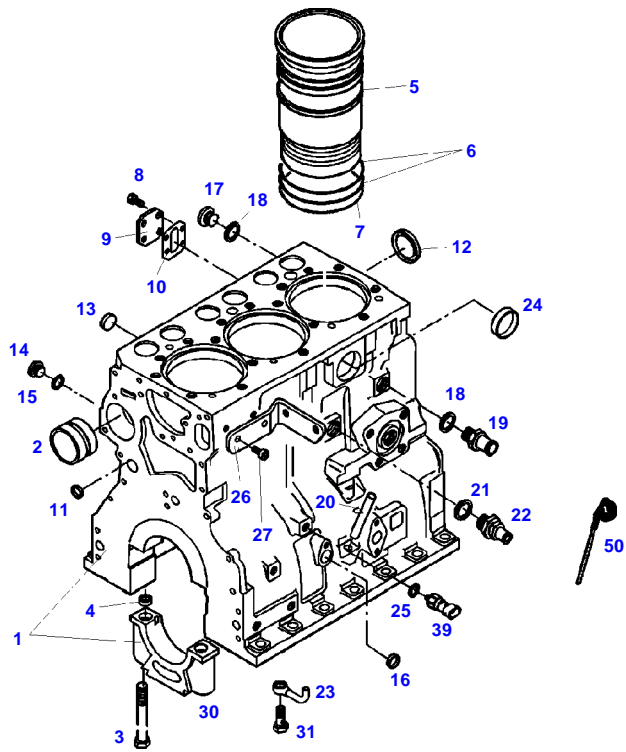


Page Number	Page Title	Page Reference
01-000-TOC	ENGINE, FUEL AND EXHAUST SYSTEM	01-000-TOC
02-000-TOC	AXLES	02-000-TOC
03-000-TOC	STEERING SYSTEM	03-000-TOC
04-000-TOC	DRIVE TRAIN SYSTEM	04-000-TOC
05-000-TOC	COMPRESSED AIR SYSTEM	05-000-TOC
06-000-TOC	HYDRAULIC SYSTEM	06-000-TOC
07-000-TOC	ELECTRICAL SYSTEM	07-000-TOC
08-000-TOC	CAB	08-000-TOC
09-000-TOC	AIR CONDITIONING AND HEATING SYSTEM	09-000-TOC
10-000-TOC	CHASSIS	10-000-TOC
11-000-TOC	WHEELS	11-000-TOC
12-000-TOC	IMPLEMENT LIFT SYSTEM FRONT	12-000-TOC
13-000-TOC	IMPLEMENT LIFT SYSTEM REAR	13-000-TOC
14-000-TOC	ACCESSORIES	14-000-TOC

FENDT 209V+F VARIO (262/00101-99999)
F50335



050335

Item	Part Number	Qty	Description Comments	Technical Specification
			<-- 262/4068	
	E262200011400	1	DIESEL ENGINE .../21/.... .../23/....	F262 _FLEX
	E262200011020	1	DIESEL ENGINE .../25/.... .../27/....	F262
	72605960	1	SHORT BLOCK ENGINE	33 T1
1	V837070453	1	CYLINDER BLOCK >< 2,3,4,30	
2	V836866069	1	CAMSHAFT BEARING BUSHING	
	V836866036	1	CAMSHAFT BEARING BUSHING OVERSIZE 0,40MM	+ 0.40 MM
3	V835329030	8	HEX CAP SCREW	
4	V836214478	8	GUIDE SLEEVE	
5	V836673191	3	LINER >< 6,7	
	V836647933	3	LINER COLLAR HIGHT 9,08MM >< 6,7	
	V836647934	3	LINER COLLAR HIGHT 9,13MM >< 6,7	
	V836647935	3	LINER COLLAR HIGHT 9,23MM >< 6,7	
6	V836647502	6	CYLINDER LINER O-RING	
7	V836647503	3	CYLINDER LINER O-RING	
8	V528801362	4	HEX CAP SCREW	
9	V836866957	1	COVER	
10	V836866958	1	GASKET	
11	V640016016	4	CUP PLUG	
12	V836529872	1	PLUG	
13	V640016018	1	CUP PLUG	
14	V640325110	3	SCREW PLUG	
15	V615871014	3	SEALING WASHER	
16	V640016020	1	CUP PLUG	
17	V640325018	1	PLUG	
18	V615881822	2	SEALING WASHER	
19	V836119837	1	HOSE COUPLER	
20	V836666910	1	OIL DIPSTICK GUIDE PIPE	
21	V615881824	1	SEALING WASHER	
22	V836664377	1	DRAIN VALVE	
23	V837074224	6	PISTON COOLING JET ><31	
24	V640016040	1	CUP PLUG	
25	V615871016	1	SEALING WASHER	
26	V837074723	1	BRACKET	
27	V581804580	2	HEX SOCKET SCREW	
30			NOT AVAILABLE IN SINGLE PARTS	
31			NOT AVAILABLE IN SINGLE PARTS	
39	V837070201	1	PRESSURE SENSOR	
50	V836666908	1	DIPSTICK	

<https://www.ebooklibonline.com>

Hello dear friend!

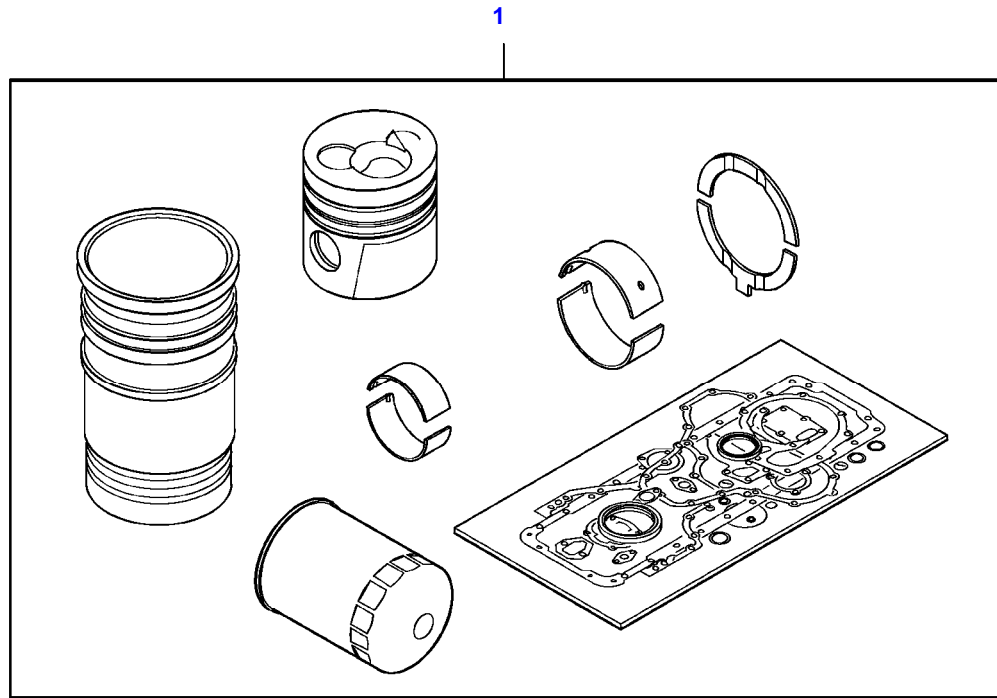
Thank you very much for reading.

Enter the link into your browser.

The full manual is available for immediate download.

<https://www.ebooklibonline.com>

FENDT 209V+F VARIO (262/00101-99999)
41091



041091

Fendt

FENDT 209V+F VARIO (262/00101-99999)

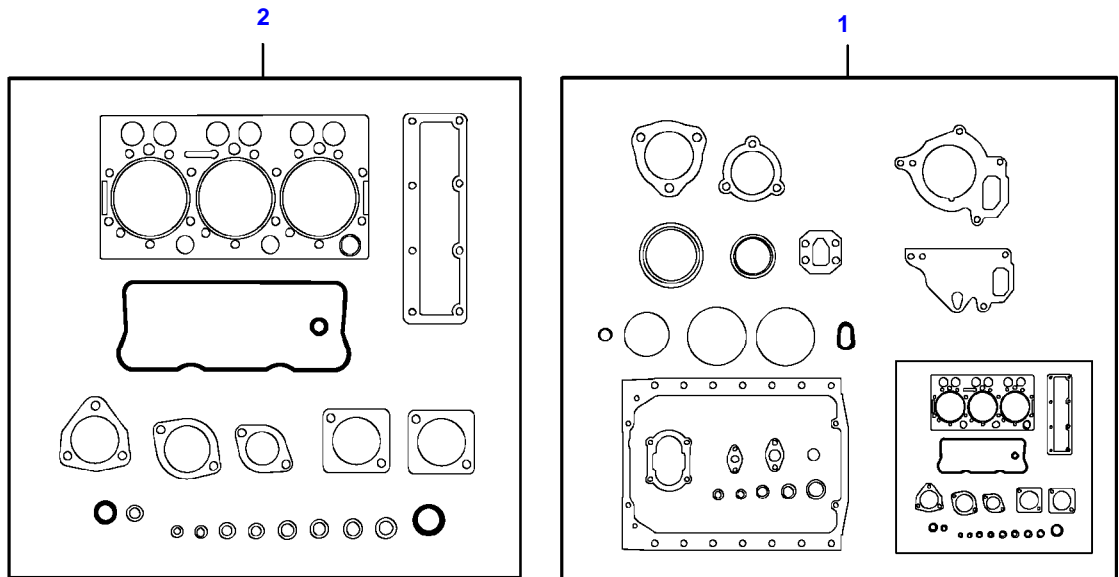
F262000

REPAIR KIT

Page01-0005

Item	Part Number	Qty	Description Comments
			ENGINE
1	V837079775	1	KIT,ENG.OVERHAUL

FENDT 209V+F VARIO (262/00101-99999)
41166



041166

Fendt

FENDT 209V+F VARIO (262/00101-99999)

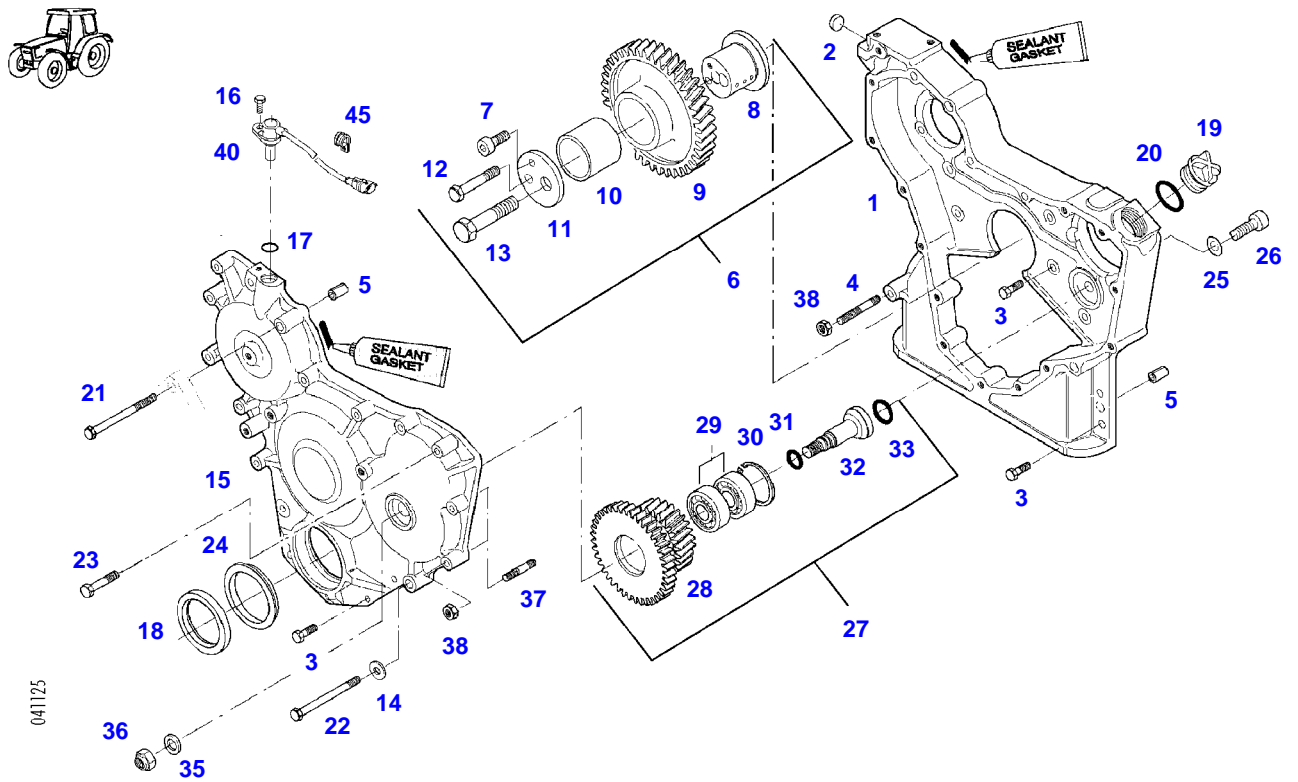
F262000

SET OF GASKETS

Page01-0006

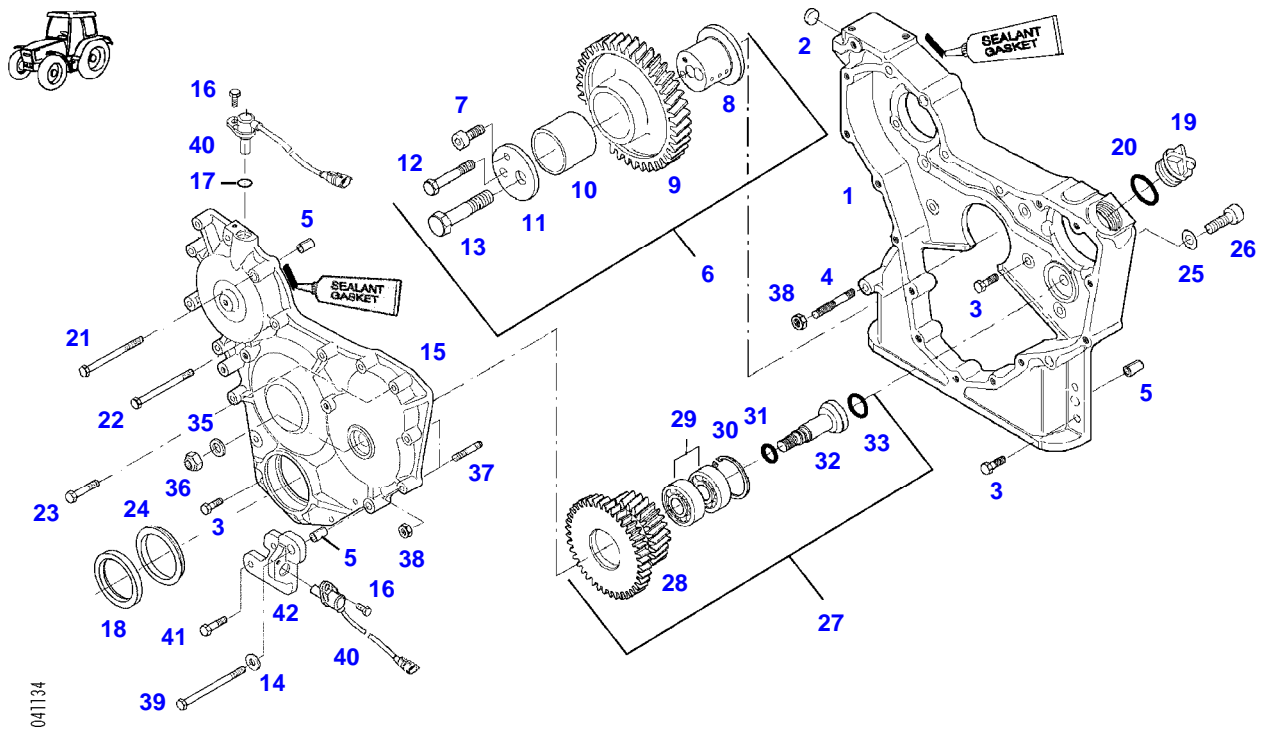
Item	Part Number	Qty	Description Comments
			ENGINE CYLINDER
1	V837079774	1	ENGINE GASKET KIT >>2
2	V837079773	1	ENGINE GASKET KIT CYLINDER

FENDT 209V+F VARIO (262/00101-99999)
41125



Item	Part Number	Qty	Description Comments
			GEARCASE <-- 262/0101 --> 262/0200
1	V837070025	1	TIMING GEAR CASE
2	V640016016	1	CUP PLUG
3	V528801402	16	HEX CAP SCREW M8X25
4	V546801490	1	STUD BOLT M8X70
5	V598359850	4	PIN
6	V837073330	1	IDLER GEAR ><7-13
7	V581804602	1	HEX SOCKET SCREW M8X20
8	V836766127	1	SHAFT
9	V837070034	1	GEAR ><10
10	V836139039	1	BUSHING
11	V836129845	1	FLANGE
12	V529801910	1	HEX CAP SCREW M10X80
13	V529902720	1	HEX CAP SCREW M14X85
14	V836120989	2	WASHER
15	V837070026	1	GEAR HOUSING FRONT COVER
16	V528801062	1	HEX CAP SCREW M6X16
17	V614601718	1	O-RING
18	V836673387	1	SHAFT SEAL
19	V836017927	1	CAP
20	V614603540	1	O-RING
21	V529801560	1	HEX CAP SCREW M8X105
22	V529801540	4	HEX CAP SCREW M8X95
23	V529801440	7	HEX CAP SCREW M8X45
24	V836129782	1	COVER
	V835328899	X	SPACER S=3,00MM
25	V500951200	1	SPRING WASHER
26	V581705420	1	HEX SOCKET SCREW M12X25
27	V837070095	1	DUAL GEAR WHEEL ><28-33
28	V837070111	1	DUAL GEAR WHEEL
29	V610073040	2	BALL BEARING
30	V617330052	1	LOCK RING
31	V614601324	1	O-RING
32	V837069069	1	SHAFT
33	V614601924	1	O-RING
35	V837069070	1	WASHER
36	V504601400	1	NUT M14
37	V546801450	2	STUD BOLT M8X50
38	V504800800	3	NUT M8
40	V837070189	1	SPEED SENSOR CAM SHAFT
45	V602060610	1	RETAINER CLAMP

FENDT 209V+F VARIO (262/00101-99999)
41134



Item	Part Number	Qty	Description Comments
			GEARCASE <-- 262/1001 --> 262/2999
1	V837070025	1	TIMING GEAR CASE
2	V640016016	1	CUP PLUG
3	V528801402	14	HEX CAP SCREW M8X25
4	V546801490	1	STUD BOLT M8X70
5	V598359850	5	PIN
6	V837073330	1	IDLER GEAR ><7-13
7	V581804602	1	HEX SOCKET SCREW M8X20
8	V836766127	1	SHAFT
9	V837070034	1	GEAR ><10
10	V836139039	1	BUSHING
11	V836129845	1	FLANGE
12	V529801910	1	HEX CAP SCREW M10X80
13	V529902720	1	HEX CAP SCREW M14X85
14	V500150842	1	WASHER
15	V837070026	1	GEAR HOUSING FRONT COVER
16	V528801062	2	HEX CAP SCREW M6X16
17	V614601718	1	O-RING
18	V836673387	1	SHAFT SEAL
19	V836017927	1	CAP
20	V614603540	1	O-RING
21	V529801560	1	HEX CAP SCREW M8X105
22	V529801540	3	HEX CAP SCREW M8X95
23	V529801440	7	HEX CAP SCREW M8X45
24	V836129782	1	COVER
	V835328899	X	SPACER S=3,00MM
25	V500951200	1	SPRING WASHER
26	V581705420	1	HEX SOCKET SCREW M12X25
27	V837070095	1	DUAL GEAR WHEEL ><28-33
28	V837070111	1	DUAL GEAR WHEEL
29	V610073040	2	BALL BEARING
30	V617330052	1	LOCK RING
31	V614601324	1	O-RING
32	V837069069	1	SHAFT
33	V614601924	1	O-RING
35	V837069070	1	WASHER
36	V504601400	1	NUT M14
37	V546801450	2	STUD BOLT M8X50
38	V504800800	3	NUT M8
39	V529801562	1	HEX CAP SCREW M8X110
40	V837070189	2	SPEED SENSOR CAM SHAFT CRANKSHAFT
41	V528801420	2	HEX CAP SCREW M8X35

Fendt

FENDT 209V+F VARIO (262/00101-99999)

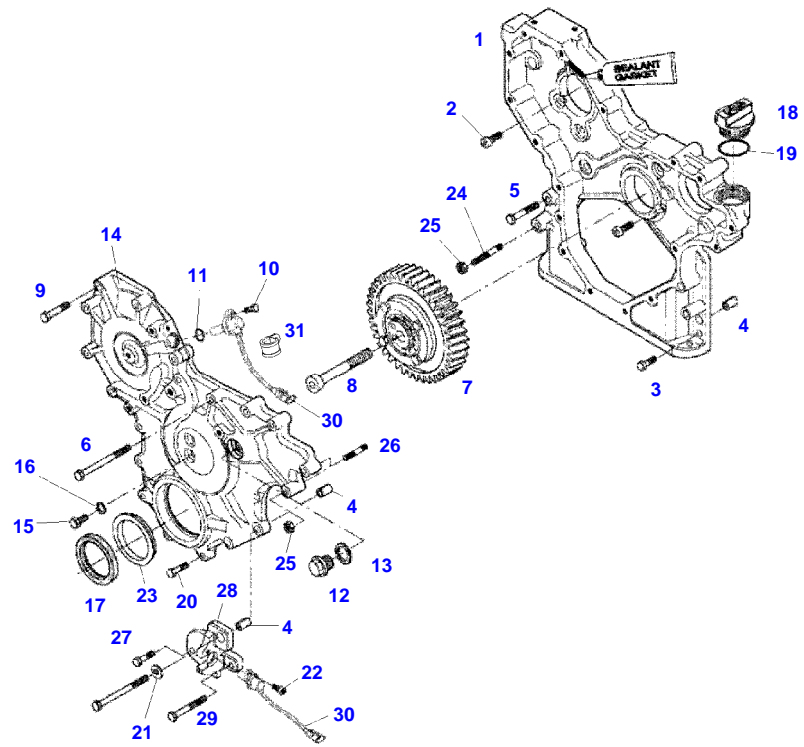
F262000

FRONT COVER

Page01-0008

Item	Part Number	Qty	Description Comments
42	V837073691	1	BRACKET

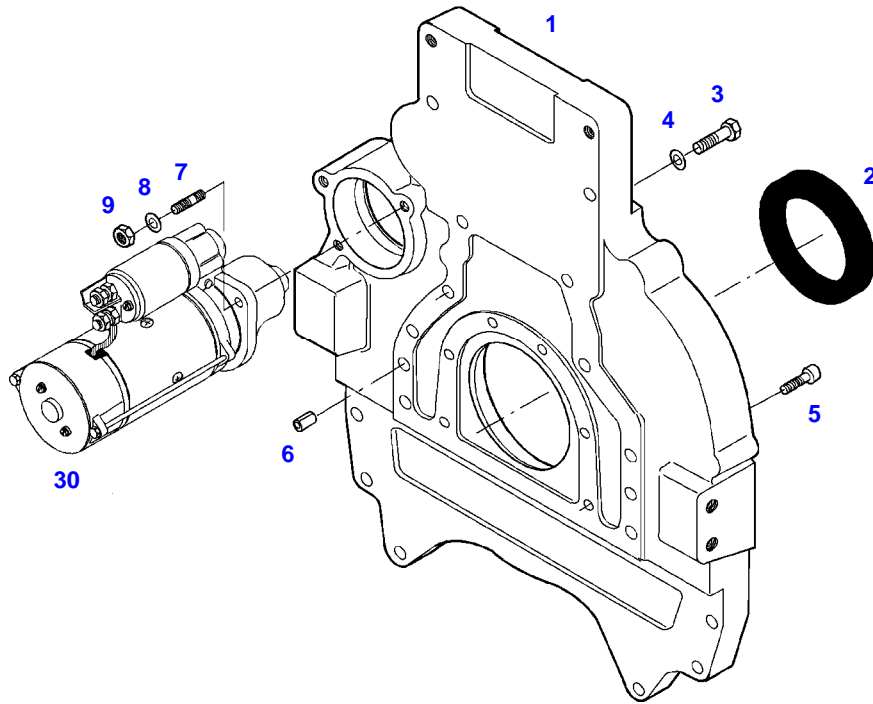
FENDT 209V+F VARIO (262/00101-99999)
39856



039856

Item	Part Number	Qty	Description Comments	Technical Specification
			<-- 262/3000	
1	V837074705	1	TIMING GEAR CASE	
2	V581804602	10	HEX SOCKET SCREW	
3	V528801402	4	HEX CAP SCREW	
4	VJE8802	4	PIN	
5	V529801470	2	HEX CAP SCREW	
6	V529801540	2	HEX CAP SCREW	
7	V837073583	1	IDLER GEAR	
8	V581705910	1	HEX SOCKET SCREW	
9	V529801440	9	HEX CAP SCREW	
10	VHA6313	1	SCREW	M6 X 16 ISO 8.8
11	V614601718	1	O-RING	
12	V640045022	1	PLUG	
13	V615882227	1	SEALING WASHER	
14	V837074707	1	GEAR HOUSING FRONT COVER	
15	V528801382	2	HEX CAP SCREW	
16	V615870814	2	SEALING WASHER	
17	V836840883	1	CRANKSHAFT SEAL	
18	V837081106	1	OIL FILLER CAP	
19	V614603540	1	O-RING	
20	VHA6325	6	SCREW	M8 X 30 ISO 8.8
21	V836120989	1	WASHER	
22	V581804182	1	HEX SOCKET SCREW	
23	V836855636	1	SHIELD	
	V835328899	1	SPACER S=3,0MM	
24	V546801494	1	STUD BOLT	
25	V504800800	3	NUT	
26	V546801450	2	STUD BOLT	
27	V528801422	1	HEX CAP SCREW	
28	V837074080	1	BRACKET	
29	V529801490	1	HEX CAP SCREW	
30	V837070189	2	SPEED SENSOR	
31	V602060610	1	RETAINER CLAMP	

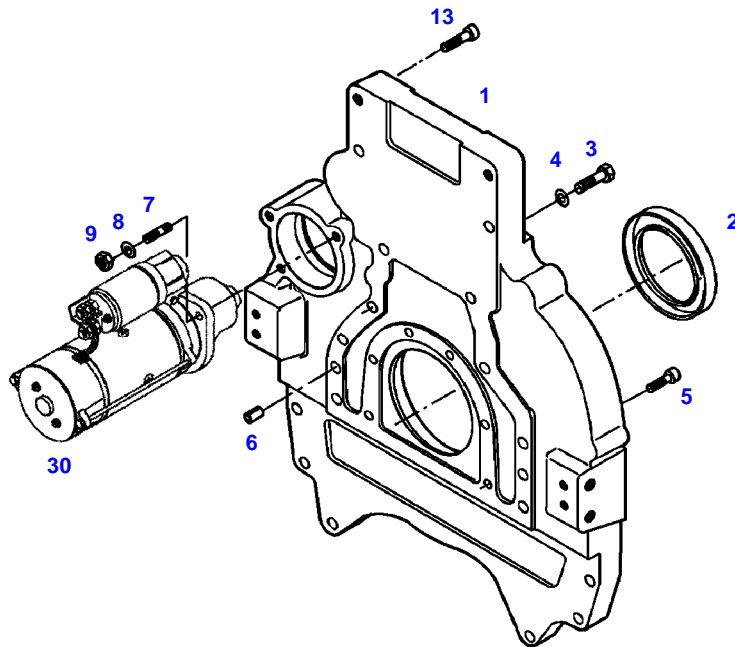
FENDT 209V+F VARIO (262/00101-99999)
41094



041094

Item	Part Number	Qty	Description Comments	Technical Specification
			<-- 262/0101 --> 262/0200 <-- 262/1001 --> 262/2999	
1	V837073056	1	FLYWHEEL HOUSING	
2	V614500002	1	CRANKSHAFT SEAL	
	V836020054	X	SPACER RING S=2,00MM	+ 2.00 MM
3	V528702230	10	HEX CAP SCREW M12X40	
4	V500951200	10	SPRING WASHER	
5	V581705030	6	HEX SOCKET SCREW M10X30	
6	V598359850	2	PIN	
7	V546801815	3	STUD BOLT M10X30	
8	V500951000	3	SPRING WASHER	
9	V504601000	3	NUT M10	
30			SEE ELECTRICAL SYSTEM STARTER SYSTEM	

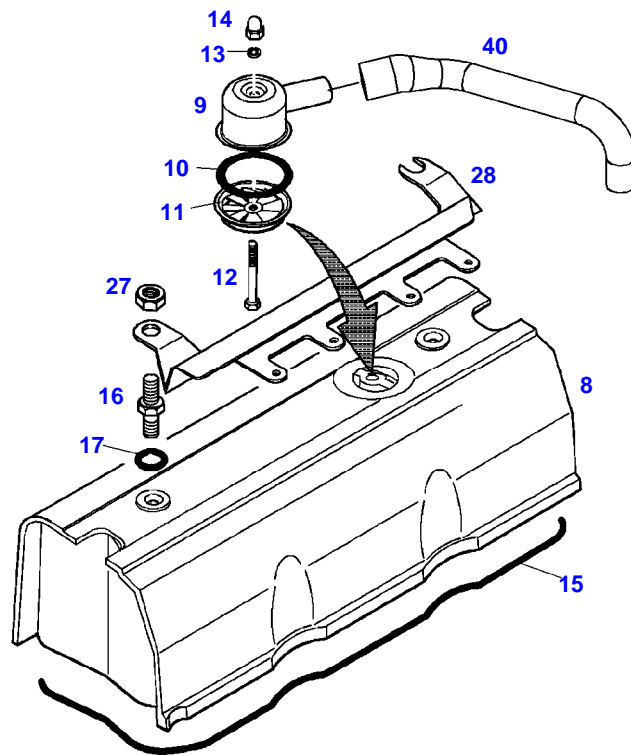
FENDT 209V+F VARIO (262/00101-99999)
39855



039855

Item	Part Number	Qty	Description Comments	Technical Specification
			<-- 262/3000	
1	V837073056	1	FLYWHEEL HOUSING	
2	V837091172	1	CRANKSHAFT SEAL	
	V836020054	X	SPACER RING S=2,00MM	+ 2.00 MM
3	V528702230	10	HEX CAP SCREW	
4	V500951200	10	SPRING WASHER	
5	V581705030	6	HEX SOCKET SCREW	
6	VJE8802	2	PIN 13MM X 16MM	
7	V546801815	3	STUD BOLT M10X30	
8	V500951000	3	SPRING WASHER	
9	VJB1110	3	NUT	M10
13	V581705470	2	HEX SOCKET SCREW	
30			SEE ELECTRICAL SYSTEM STARTER SYSTEM	

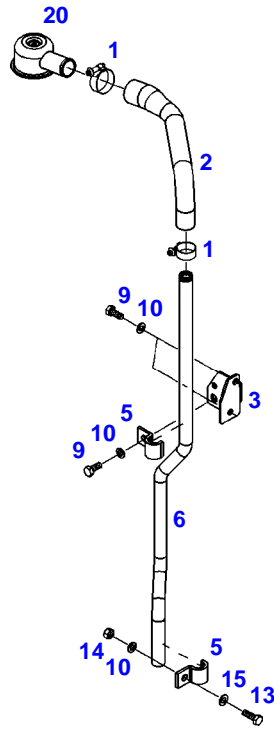
FENDT 209V+F VARIO (262/00101-99999)
37158



037158

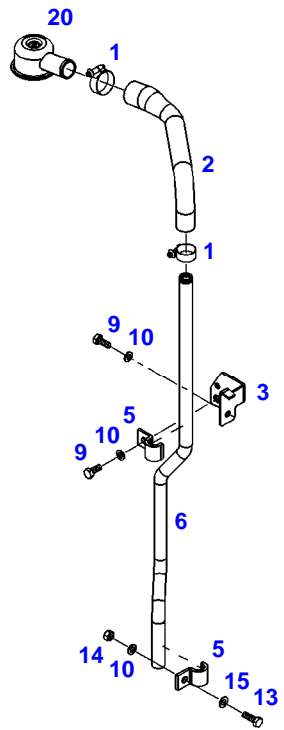
Item	Part Number	Qty	Description Comments	Technical Specification
8	V837070456	1	VALVE ROCKER COVER ><9-14	
9	V837070442	1	BREATHER CAP	
10	V836667459	1	GASKET	
11	V837070455	1	BREATHER	
12	V528801182	1	HEX CAP SCREW	
13	V836667508	1	SEALING WASHER	
14	V519600602	1	NUT	
15	V836667243	1	VALVE ROCKER COVER GASKET	
16	V836667033	2	STUD BOLT	
17	V614901030	2	O-RING	
27	VJB1110	2	NUT	M10
28	V837073250	1	SUPPORT	
40			SEE CRANKCASE BREATHER	

FENDT 209V+F VARIO (262/00101-99999)
37175



037175

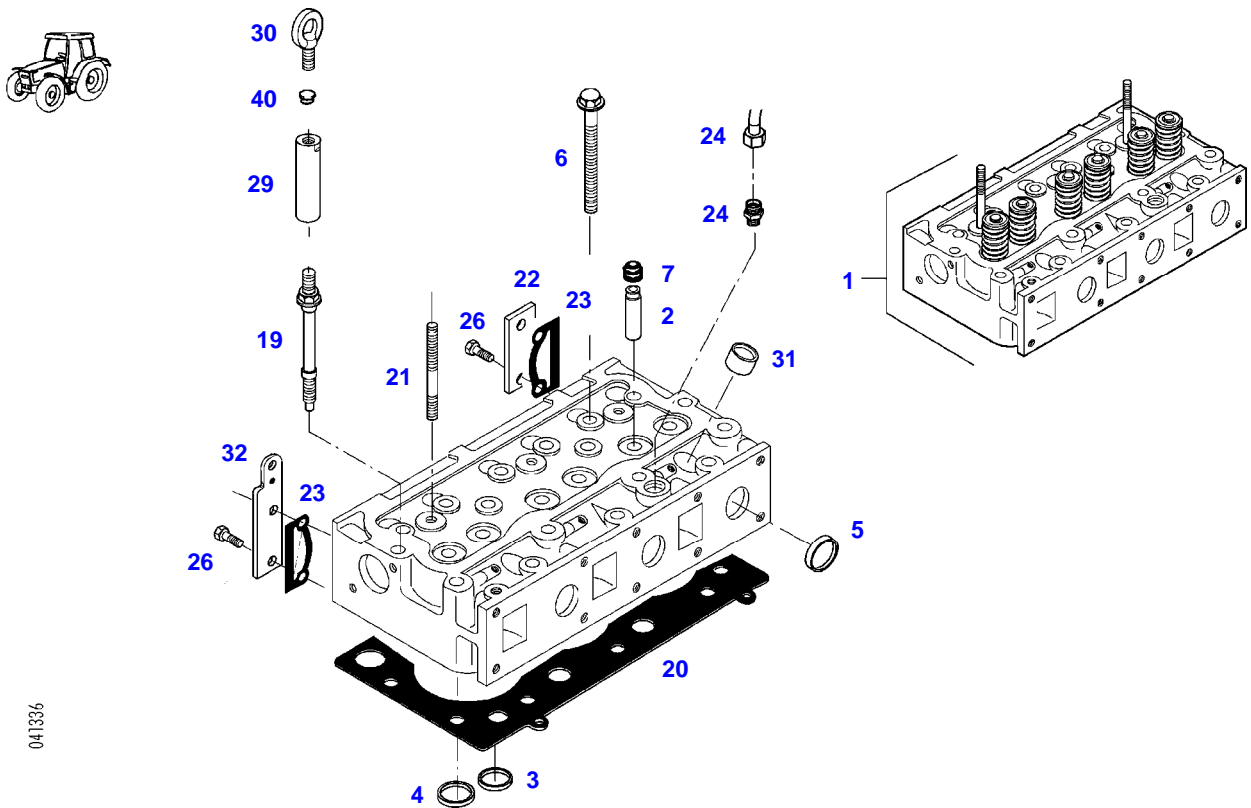
Item	Part Number	Qty	Description Comments	Technical Specification
			<-- 262/0101 --> 262/0200 <-- 262/1001 --> 262/2999	
1	72311168	2	HOSE CLIP	
2	72441275	1	HOSE LINE	
3	72441277	1	RETAINER	
5	72311256	2	CLAMP	
6	72441276	1	PIPE	
9	72315650	3	HEXAGONAL HEAD BOLT	DIN 933 M8 X 20-8.8A3L
10	72315053	4	SPLIT WASHER	FWN 65208-8-A3L
13	72315653	1	HEXAGONAL HEAD BOLT	DIN 933 M8 X 25-8.8A3L
14	72313268	1	NUT	DIN 934 M8-8A3L
15	72311788	1	DISC	DIN 125-8,4-ST.A3L
20			SEE VALVE COVER	



039882

Item	Part Number	Qty	Description Comments	Technical Specification
			<-- 262/3000	
1	72311168	2	HOSE CLIP	
2	72441275	1	HOSE LINE	
3	72605914	1	HOLDER	
5	72311256	2	CLAMP	
6	72441276	1	PIPE	
9	72315650	2	HEXAGONAL HEAD BOLT	DIN 933 M8 X 20-8.8A3L
10	72311788	3	DISC	DIN 125-8,4-ST.A3L
13	72315653	1	HEXAGONAL HEAD BOLT	DIN 933 M8 X 25-8.8A3L
14	72313268	1	NUT	DIN 934 M8-8A3L
15	72311788	1	DISC	DIN 125-8,4-ST.A3L
20			SEE VALVE COVER	

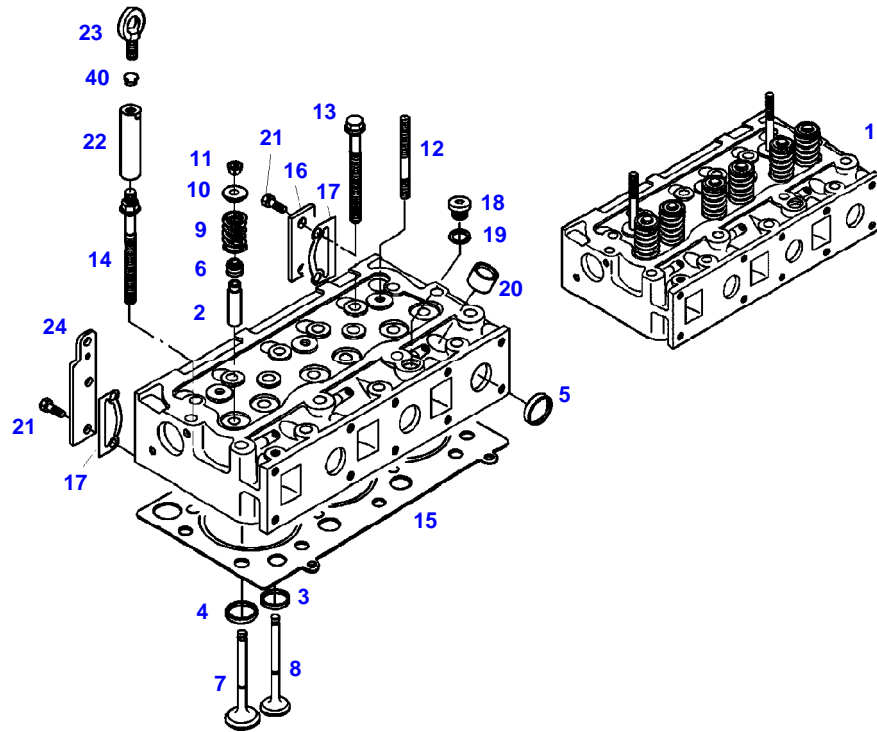
FENDT 209V+F VARIO (262/00101-99999)
41336



CYLINDER HEAD

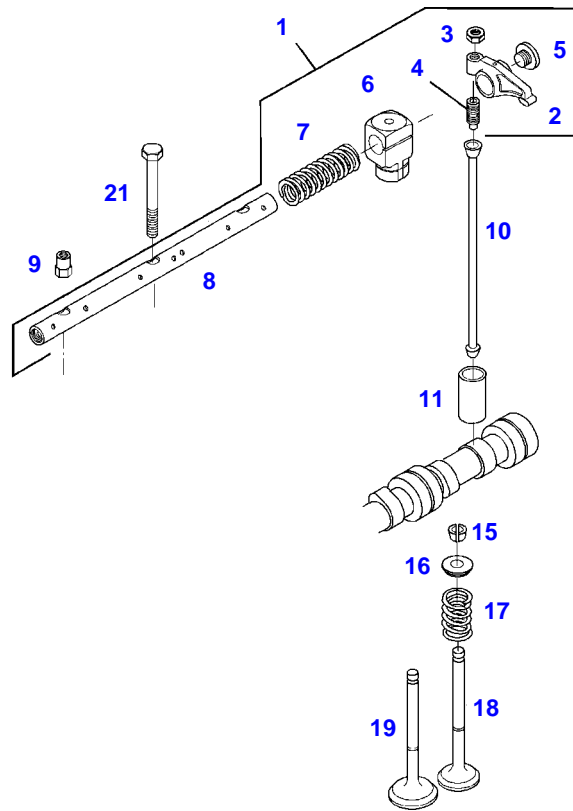
Item	Part Number	Qty	Description Comments	Technical Specification
			<-- 262/0101 --> 262/0200 <-- 262/1001 --> 262/2999	
1	V837073265	1	CYLINDER HEAD ><2-5	
2	V836673175	6	VALVE GUIDE	
3	V836647600	3	VALVE SEAT OUTLET	
4	V836647936	3	VALVE SEAT INTAKE	
5	V836647942	5	CUP PLUG	
6	V837069025	15	CYLINDER HEAD BOLT	
7	V837073166	6	VALVE STEM GASKET	
19	V837073571	2	CYLINDER HEAD BOLT	
20	V837070290	1	CYLINDER HEAD GASKET	
21	V546801900	2	STUD BOLT M10X75	
22	V836855350	1	BLOCK OFF PLATE	
23	V836867753	2	GASKET	
24			SEE DRIVERS CAB - TUBES HEATING	
26	V528801800	4	HEX CAP SCREW M10X25	
29	V836867567	2	LIFTING EYE EXTENSION	
30	V836640752	2	LIFT EYE	
31	V837073439	3	GUIDE SLEEVE	
32	V837073152	1	COVER	
40	72314748	2	LOCKING PLUG	SW-F11

FENDT 209V+F VARIO (262/00101-99999)
39863



039863

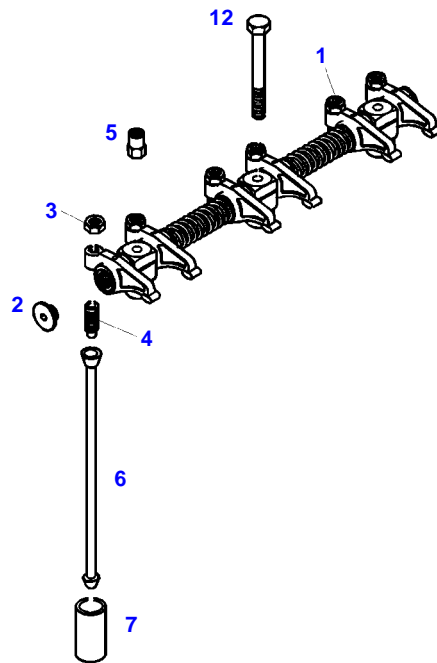
Item	Part Number	Qty	Description Comments	Technical Specification
			<-- 262/3000	
1	V837073265	1	CYLINDER HEAD >< 2-12	
2	V836673175	6	VALVE GUIDE	
3	V836647600	3	VALVE SEAT	
4	V836647936	3	VALVE SEAT	
5	V836647942	5	CUP PLUG	
6	V837073166	6	VALVE STEM GASKET	
7	V836646356	3	INTAKE VALVE	
8	V836646357	3	EXHAUST VALVE	
9	V837073405	6	VALVE SPRING	
10	V836646381	6	WASHER	
11	V836646382	12	COTTER	
12	V546801900	2	STUD BOLT	
13	V837069025	15	CYLINDER HEAD BOLT	
14	V837073571	2	CYLINDER HEAD BOLT	
15	V837070290	1	CYLINDER HEAD GASKET	
16	V836855350	1	BLOCK OFF PLATE	
17	V836867753	2	GASKET	
18	V640325018	1	PLUG	
19	V615881822	1	SEALING WASHER	
20	V837073439	3	GUIDE SLEEVE	
21	V528801800	4	HEX CAP SCREW	
22	V836867567	2	LIFTING EYE EXTENSION	
23	V836640752	2	LIFT EYE	
24	V837073152	1	COVER	
40	72314748	2	LOCKING PLUG	SW-F11



041097

Item	Part Number	Qty	Description Comments
			<-- 262/0101 --> 262/0200 <-- 262/1001 --> 262/2999
1	V836667043	1	ROCKER SHAFT ASM ><2-8
2	V836667042	6	ROCKER ARM ><3,4
3	V512861000	6	NUT
4	V837069023	6	VALVE ROCKER ADJUSTMENT SCREW
5	V837069020	2	PLUG
6	V836666609	3	BRACKET
7	V836655884	2	SPRING
8	V836655870	1	SHAFT
9	V836655406	2	SLEEVE NUT
10	V836655867	6	PUSH ROD
11	V836014264	6	TAPPET
15	V836646382	12	COTTER
16	V836646381	6	WASHER
17	V837073405	6	VALVE SPRING
18	V836646357	3	EXHAUST VALVE
19	V836646356	3	INTAKE VALVE
21	V529801910	1	HEX CAP SCREW M10X80

FENDT 209V+F VARIO (262/00101-99999)
39864



039864

Fendt

FENDT 209V+F VARIO (262/00101-99999)

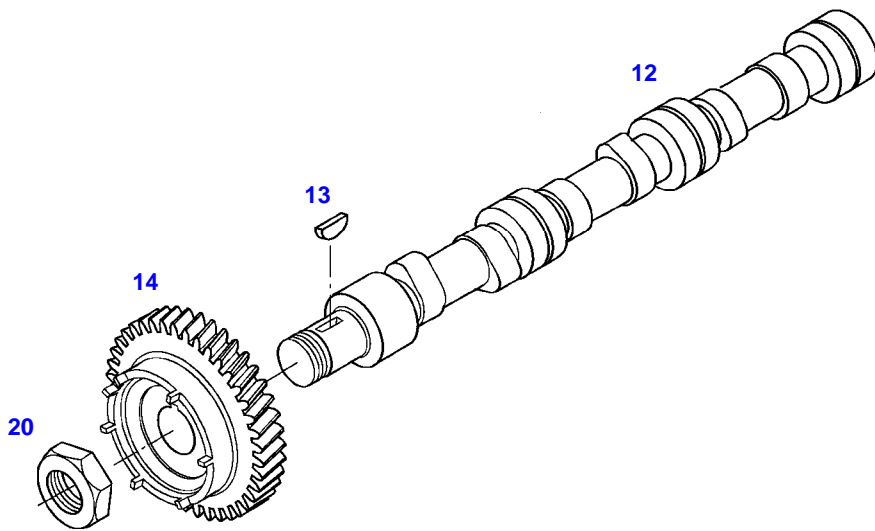
F262000

VALVE DRIVE

Page01-0018

Item	Part Number	Qty	Description Comments
			<-- 262/3000
1	V836667043	1	ROCKER SHAFT ASM >< 2,3,4
2	V837069020	2	PLUG
3	V512861000	6	NUT
4	V837069023	6	VALVE ROCKER ADJUSTMENT SCREW
5	V836655406	2	SLEEVE NUT
6	V836655867	6	PUSH ROD
7	V836014264	6	TAPPET
12	V529801910	1	HEX CAP SCREW

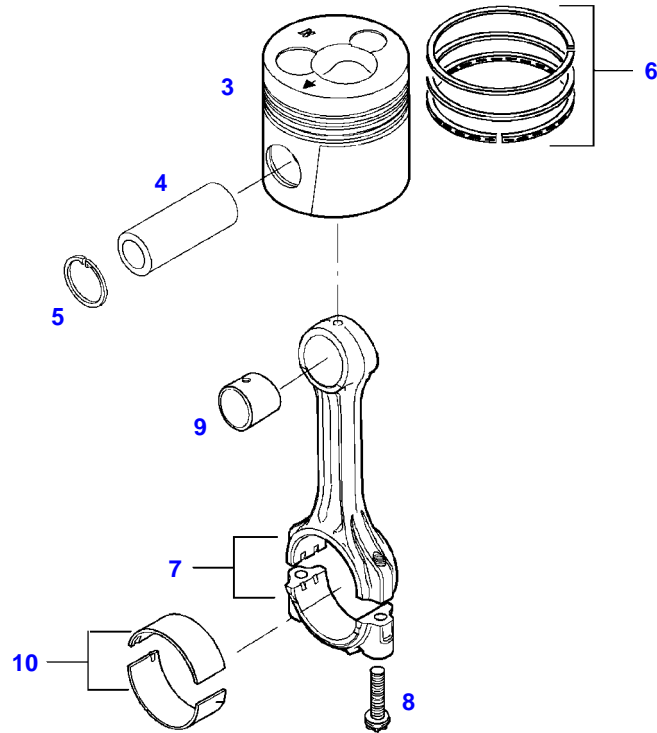
FENDT 209V+F VARIO (262/00101-99999)
41098



041098

Item	Part Number	Qty	Description Comments
12	V837073037	1	CAMSHAFT
13	V603305760	1	WOODRUFF KEY
14	V837070030	1	GEAR,CAMSHAFT <-- 262/0101 --> 262/0200 <-- 262/1001 --> 262/2999
	V837073562	1	GEAR,CAMSHAFT <-- 262/3000
20	V837069085	1	NUT

FENDT 209V+F VARIO (262/00101-99999)
41120



041120



Suggest:

For more complete manuals. Please go to the home page.

<https://www.ebooklibonline.com>

If the above button click is invalid. Please download this document first, and then click the above link to download the complete manual.

Thank you so much for reading

Item	Part Number	Qty	Description Comments	Technical Specification
3	V837070068	3	PISTON ><4,5,6	
4			NOT AVAILABLE IN SINGLE PARTS	
5			NOT AVAILABLE IN SINGLE PARTS	
6	V836640078	3	PISTON RING KIT	
7	V836640968	1	CONNECTING ROD KIT SET (3 PCE) ><8,9	
8	V836864141	6	CONNECTING ROD BOLT	
9	V836110646	3	BEARING BUSH	STD
10	V836110552	3	BEARING SHELL	
	V836112762	3	BEARING SHELL OVERSIZE 0,25MM	
	V836112763	3	BEARING SHELL OVERSIZE 0,50MM	
	V836112765	3	BEARING SHELL OVERSIZE 1,00MM	
	V836112767	3	BEARING SHELL OVERSIZE 1,25MM	
	V836140950	3	MAIN BEARING OVERSIZE INNER DIAMETER -0.5MM OUTER DIAMETER +1.00MM	

<https://www.ebooklibonline.com>

Hello dear friend!

Thank you very much for reading.

Enter the link into your browser.

The full manual is available for immediate download.

<https://www.ebooklibonline.com>