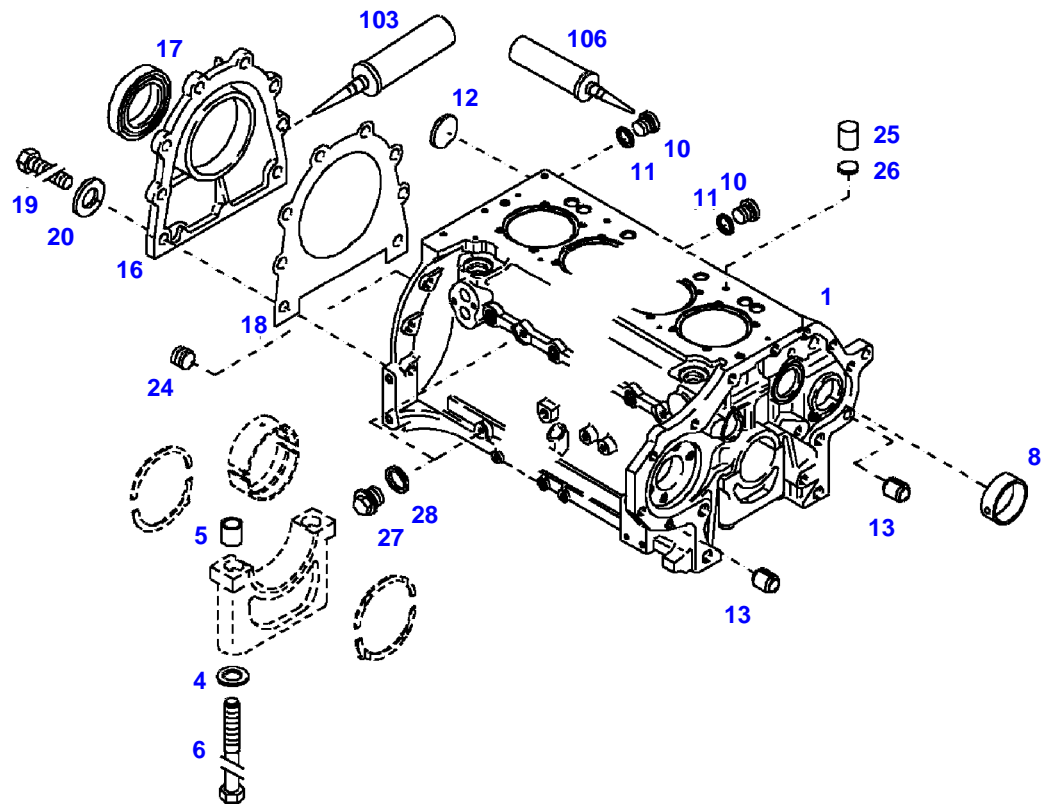


<b>Page Number</b>	<b>Page Title</b>	<b>Page Reference</b>
01-000-TOC	ENGINE, FUEL AND EXHAUST SYSTEM	01-000-TOC
02-000-TOC	AXLES	02-000-TOC
03-000-TOC	STEERING SYSTEM	03-000-TOC
04-000-TOC	DRIVE TRAIN SYSTEM	04-000-TOC
05-000-TOC	COMPRESSED AIR SYSTEM	05-000-TOC
06-000-TOC	HYDRAULIC SYSTEM	06-000-TOC
07-000-TOC	ELECTRICAL SYSTEM	07-000-TOC
08-000-TOC	CAB	08-000-TOC
09-000-TOC	AIR CONDITIONING AND HEATING SYSTEM	09-000-TOC
10-000-TOC	CHASSIS	10-000-TOC
11-000-TOC	WHEELS	11-000-TOC
12-000-TOC	IMPLEMENT LIFT SYSTEM FRONT	12-000-TOC
13-000-TOC	IMPLEMENT LIFT SYSTEM REAR	13-000-TOC
14-000-TOC	ACCESSORIES	14-000-TOC

FENDT 209V+F (214/00101-99999)  
33510



033510

Item	Part Number	Qty	Description Comments	Technical Specification
	72427692	1	DIESEL ENGINE ENGINE NEW <-- 214/0101 --> 214/0200 <-- 214/1001 --> 214/2226 <-- Z214.202.010.010 ENGINE EXCHANGE	F329
	72436666	1	DIESEL ENGINE ENGINE NEW <-- 214/2227 --> 214/3110 <-- Z214.202.010.020 ENGINE EXCHANGE	
	72438712	1	DIESEL ENGINE ENGINE NEW <-- 214/3111 --> 214/3279 <-- Z214.202.010.030 ENGINE EXCHANGE	F329
	72439801	1	DIESEL ENGINE <-- 214/3280 <-- Z214.202.010.040 ENGINE EXCHANGE	F329
1	72431548	1	CRANKCASE ><4-6,8,10-13,24,27,28	
4	72323682	10	DISC	
5	72344342	10	ADAPTER BUSH	
6	72344343	10	HEXAGONAL HEAD BOLT	
8	72344344	1	BUSH	
10	72427167	5	SCREW	DIN 908 M12 X 1,5-ST-A3
11	72315090	5	SEALING WASHER	DIN 7603 A12X15,5-CU
12	72323690	1	LOCKING DISC	
13	72323573	2	TENSIONER BUSHING	
16	72324099	1	COVER	
17	72425119	1	SHAFT SEAL	
18	72324291	1	SEAL	
19	72315650	8	HEXAGONAL HEAD BOLT	DIN 933 M8 X 20-8.8A3L DIN 125-8,4-ST.A3L
20	72311788	8	DISC	
24	72431459	2	SCREW	
25	72323592	3	PLUG	
26	72323572	3	DISC	
27	72374942	1	PLUG	DIN 7604 CM10X1-ST DIN 7603 A10X13,5-CU
28	72315088	1	SEALING WASHER	TEROST-63S
103	72311273	1	SEALING COMPOUND	
106	72431547	1	SEALING COMPOUND	

**<https://www.ebooklibonline.com>**

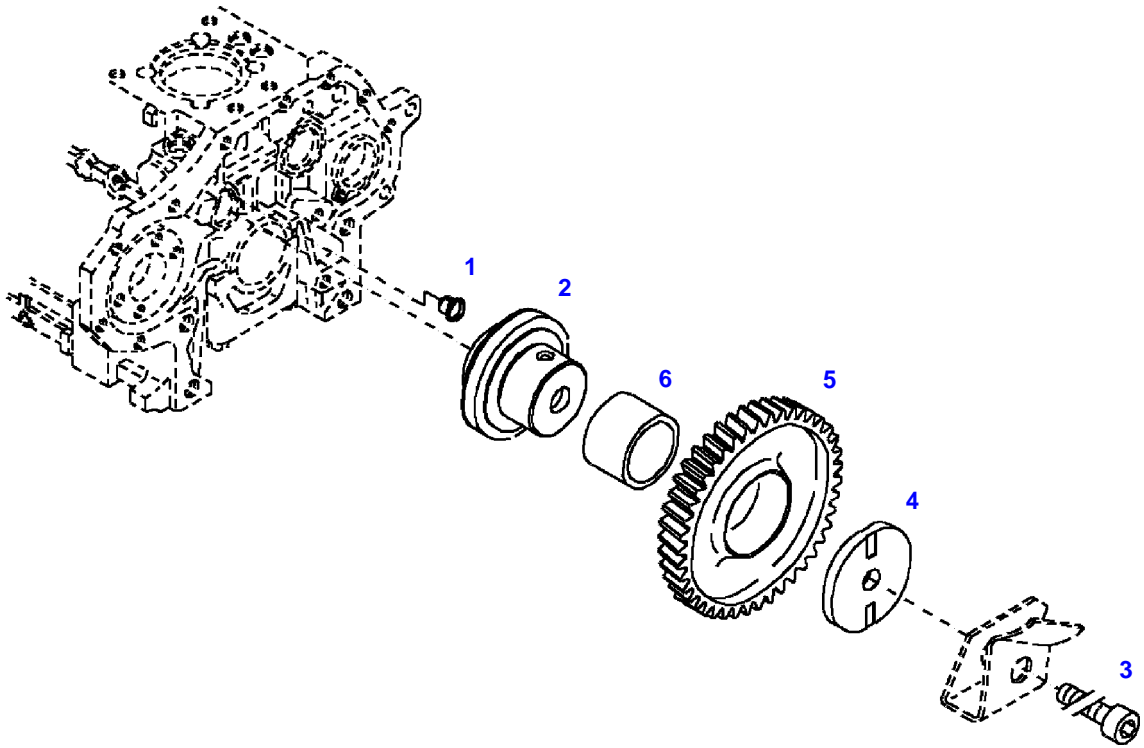
Hello dear friend!

Thank you very much for reading.

Enter the link into your browser.

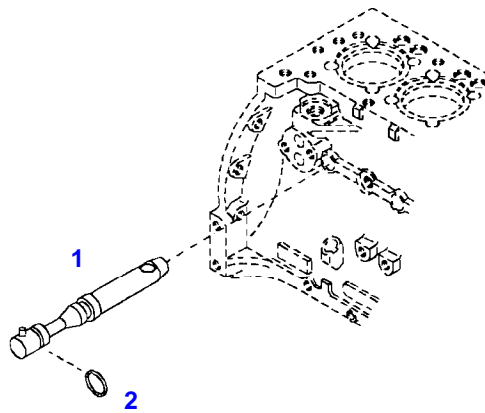
The full manual is available for immediate download.

**<https://www.ebooklibonline.com>**



033511

Item	Part Number	Qty	Description Comments
			<b>INTERM. GEAR WHEEL</b>
1	72344346	1	TENSIONER BUSHING
2	72344347	1	PIVOT
3	72324090	1	SOCKET HEAD BOLT
4	72324457	1	DISC
5	72420823	1	INTERMEDIATE GEAR ><6
6	72324455	1	BUSH



040154

---

Fendt

FENDT 209V+F (214/00101-99999)

F214000

CRANKCASE

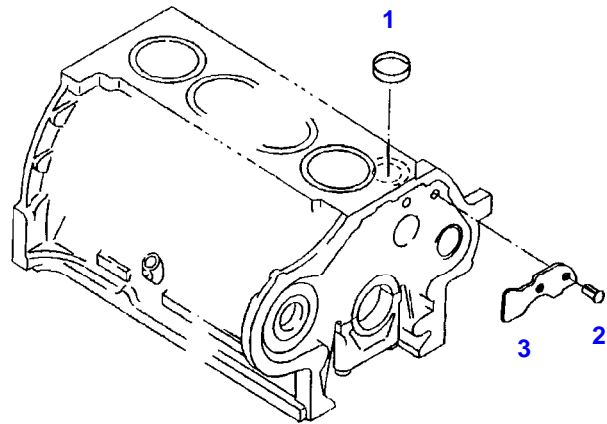
Page01-0003

---

Item	Part Number	Qty	Description Comments
			<b>NOZZLE</b>
1	72324217	4	SPRAY NOZZLE >< 2
2	72323628	4	SEAL

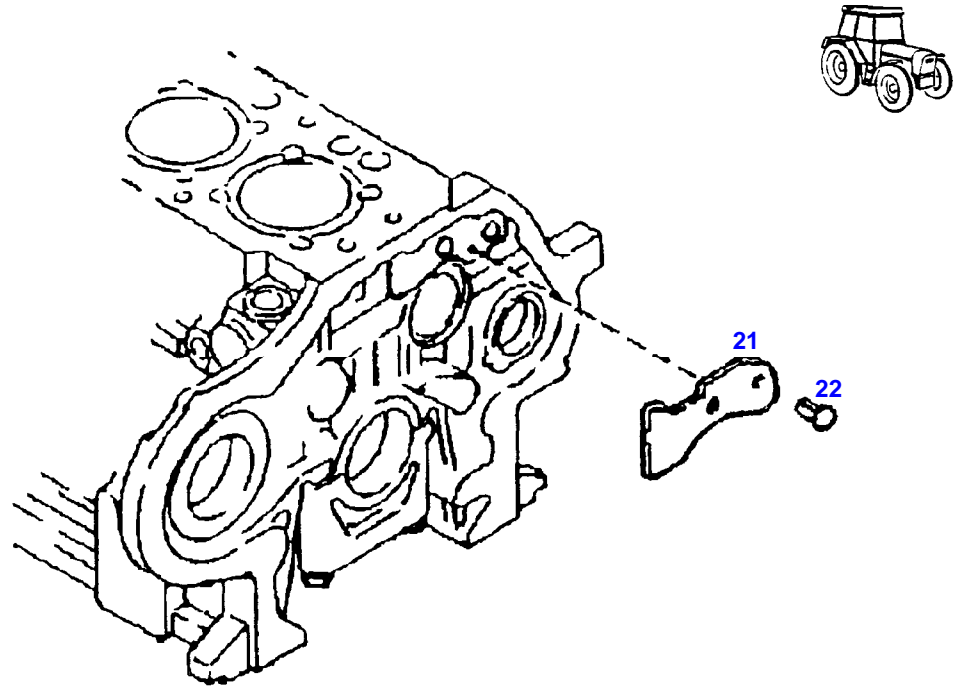
FENDT 209V+F (214/00101-99999)  
40097

---



040097

Item	Part Number	Qty	Description Comments	Technical Specification
			LOCKING PLUG <-- 214/0101 --> 214/0200 <-- 214/1001 --> 214/2226	
1	72323653	1	CORE HOLE PLUG	
2	72372707	2	SLOTTED PIN	DIN 1476-6X10-ST
3	72344345	1	BAFFLE	



12459

---

Fendt

FENDT 209V+F (214/00101-99999)

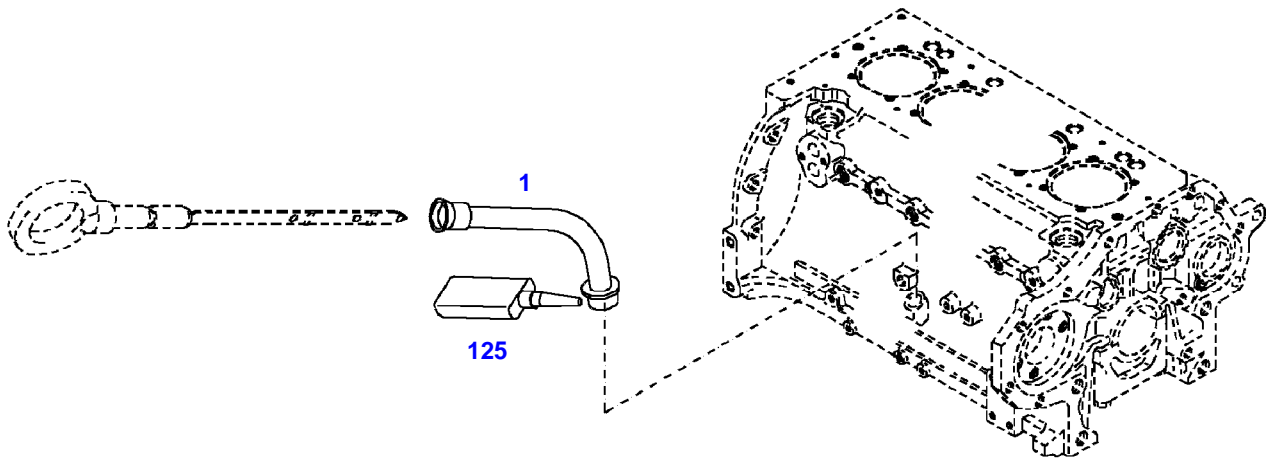
F214000

CRANKCASE

Page01-0005

---

Item	Part Number	Qty	Description Comments	Technical Specification
			<b>BLANKING PARTS</b> <-- 214/2227	
21	72344345	1	BAFFLE	
22	72372707	2	SLOTTED PIN	DIN 1476-6X10-ST



033512

---

Fendt

FENDT 209V+F (214/00101-99999)

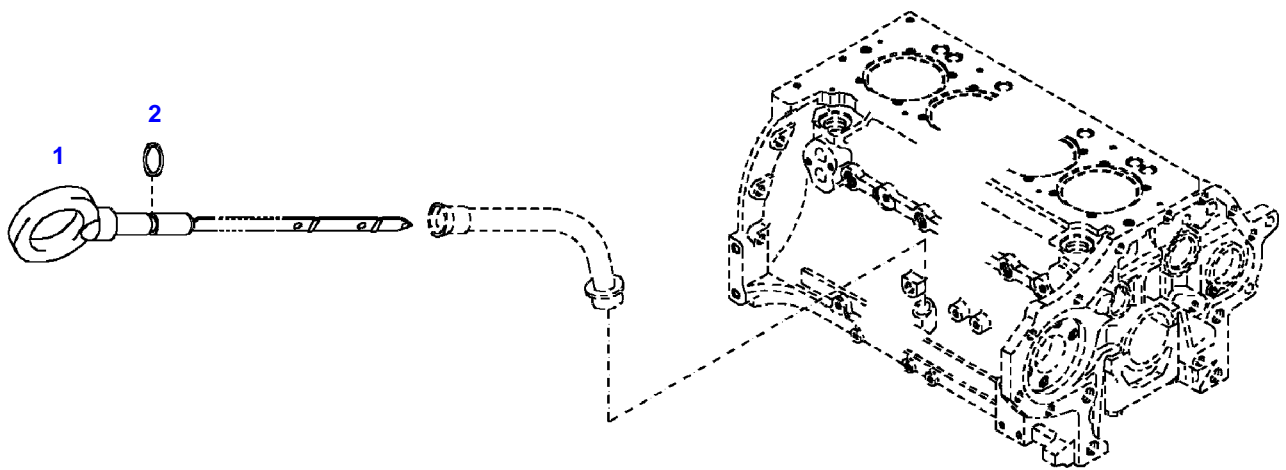
F214000

OIL DIPSTICK

Page01-0006

---

Item	Part Number	Qty	Description Comments
			<b>GUIDE TUBE</b>
1	72428343	1	GUIDE TUBE
125	72415445	1	SAFE.LOCK AGENT



033528

---

Fendt

FENDT 209V+F (214/00101-99999)

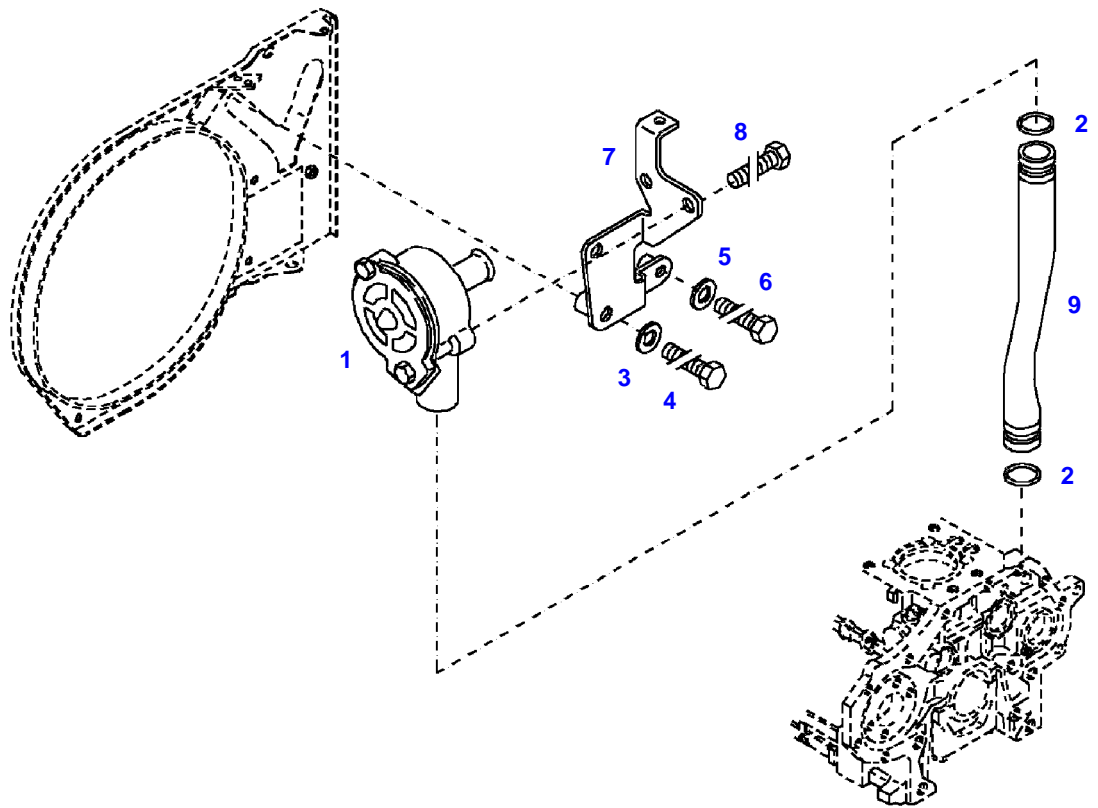
F214000

OIL DIPSTICK

Page01-0007

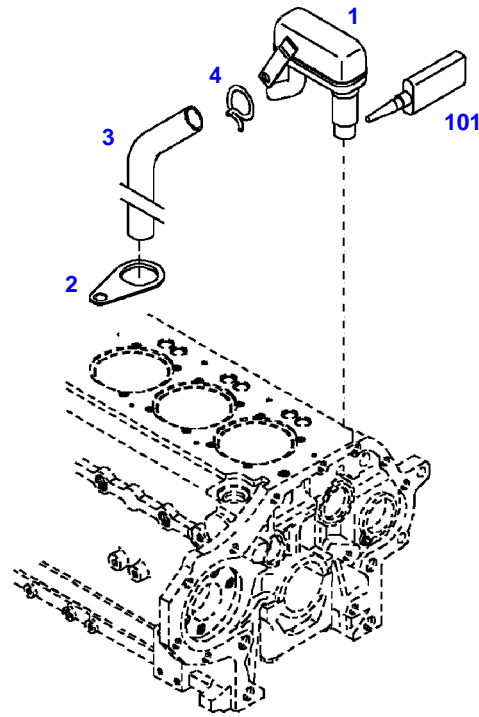
---

Item	Part Number	Qty	Description Comments
1	72451107	1	DIPSTICK ><2
2	72323559	1	PERMANENT REINFORCEMENT



033513

Item	Part Number	Qty	Description Comments	Technical Specification
			<-- 214/0101 --> 214/0200 <-- 214/1001 --> 214/2226	
1	72615403	1	BLEEDER VALVE	
2	72416005	2	SEAL 24X3MM	
3	72611358	1	DISC	
4	72427710	1	HEXAGONAL HEAD BOLT M8X35	
5	72416026	1	DISC	
6	72427711	1	HEXAGONAL HEAD BOLT M6X30	
7	72431551	1	RETAINER	
8	72315650	2	HEXAGONAL HEAD BOLT	DIN 933 M8 X 20-8.8A3L
9	72431552	1	BREATHER PIPE	



035121

---

Fendt

FENDT 209V+F (214/00101-99999)

F214000

CRANKCASE BREATHER

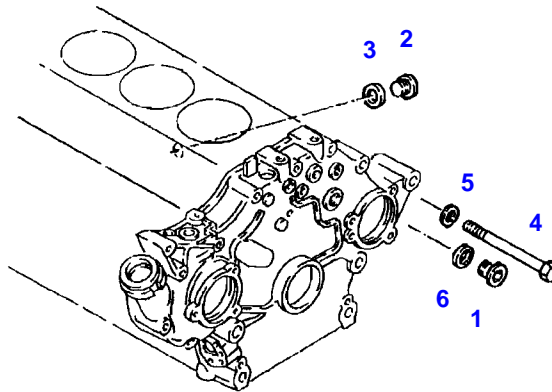
Page01-0009

---

Item	Part Number	Qty	Description Comments
			<-- 214/2227
1	72451208	1	BLEEDER VALVE
2	72426064	1	RETAINING SHEET METAL
3	72451209	1	HOSE
4	72431275	1	CLAMP
101	72431276	1	SEALING COMPOUND

FENDT 209V+F (214/00101-99999)  
40099

---

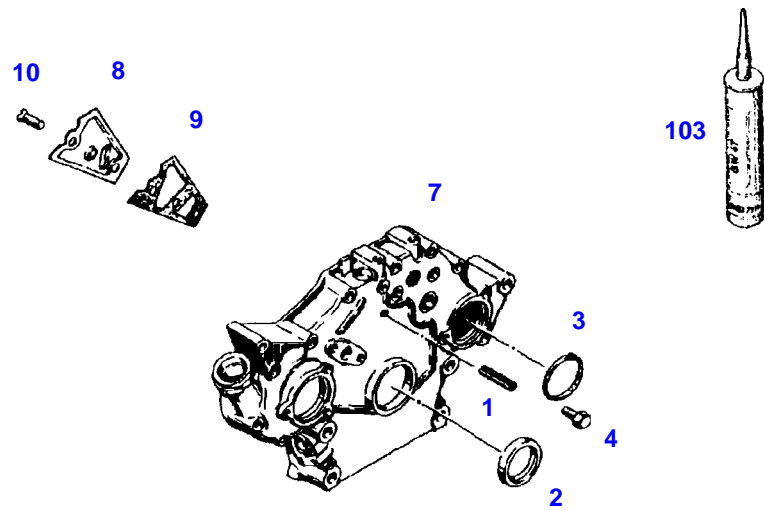


040099

Item	Part Number	Qty	Description Comments	Technical Specification
<b>BLANKING PARTS</b>				
1	72315440	1	PLUG SCREW	DIN 908 M18 X 1,5-ST
2	72427167	1	SCREW	DIN 908 M12 X 1,5-ST-A3
3	72315090	1	SEALING WASHER	DIN 7603 A12X15,5-CU
4	72315534	2	HEXAGONAL HEAD BOLT	DIN 931 M8 X 70-8.8
5	72311788	1	DISC	DIN 125-8,4-ST.A3L
6	72315100	1	SEALING WASHER	DIN 7603 A18X24-CU

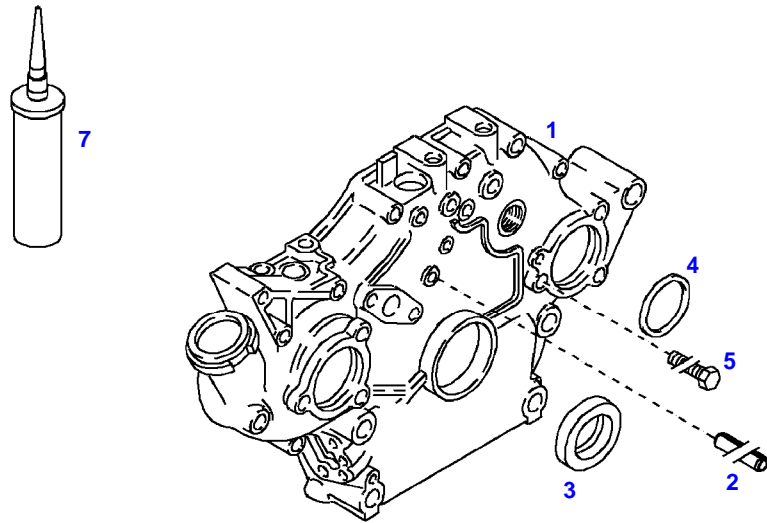
FENDT 209V+F (214/00101-99999)  
40155

---



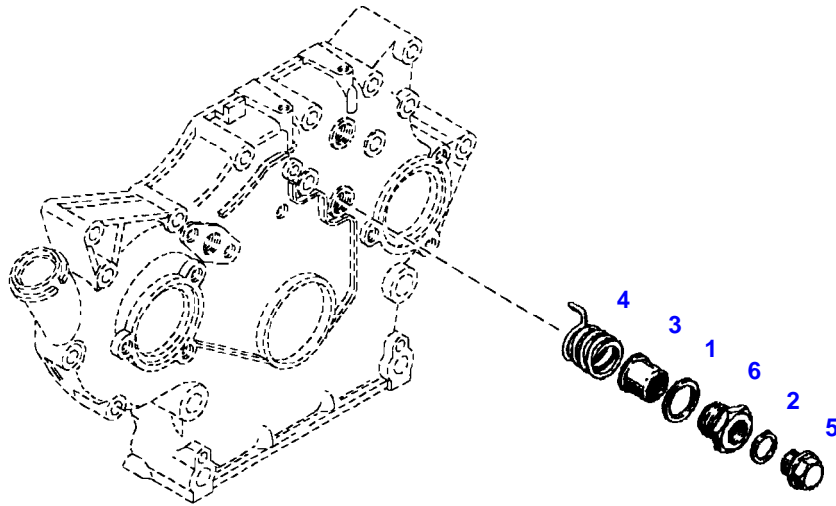
040155

Item	Part Number	Qty	Description Comments	Technical Specification
			<-- 214/0101 --> 214/0200 <-- 214/1001 --> 214/2226	
1	72375153	1	TENSIONING PIN	ISO8752-6X45-A-ST-ZNPHR10F-KOE
2	72317651	1	SHAFT SEAL	
3	72323566	1	PERMANENT REINFORCEMENT	
4	72374417	1	HEXAGONAL HEAD BOLT	DIN 933 M8X8-8.8
7	72431553	1	CRANKCASE END COVER	
8	72416037	1	COVER PANEL	
9	72416038	1	SEAL	
10	72418423	3	THREAD-CUTTING TAPPING SCREW	DIN 7513-FE M6X16-ST
103	72311273	1	SEALING COMPOUND	TEROST-63S



035122

Item	Part Number	Qty	Description Comments	Technical Specification
			<-- 214/2227	
1	72323843	1	COVER	
2	72375153	1	TENSIONING PIN	ISO8752-6X45-A-ST-ZNPHR10F-KOE
3	72317651	1	SHAFT SEAL	
4	72323566	1	PERMANENT REINFORCEMENT	
5	72374417	1	HEXAGONAL HEAD BOLT	DIN 933 M8X8-8.8
7	72311273	1	SEALING COMPOUND	TEROST-63S

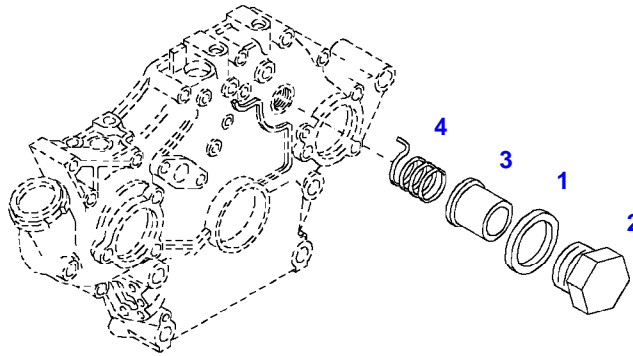


040107

Item	Part Number	Qty	Description Comments	Technical Specification
			<b>BLANKING PARTS</b>	
			<b>ENGINE NUMBER</b>	
			--> 8674078	
1	72376036	1	SEALING WASHER	DIN7603 A24X30-ALU
2	72315099	1	SEALING WASHER	DIN 7603 A18X22-CU
3	72323827	1	START-UP CAP	
4	72324159	1	COMPRESSION SPRING	
5	72315801	1	SCREW	DIN 7604-AM18 X 1,5-ST A3L
6	72324020	1	SCREW	

FENDT 209V+F (214/00101-99999)  
40416

---



040416

---

Fendt

FENDT 209V+F (214/00101-99999)

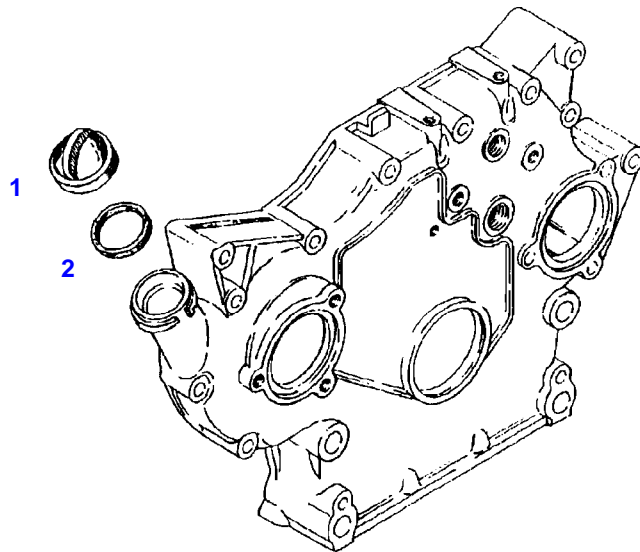
F214000

FRONT COVER

Page01-0014

---

Item	Part Number	Qty	Description Comments	Technical Specification
			<b>BLANKING PARTS</b> <b>ENGINE NUMBER</b> <b>&lt;-- 8674079</b>	
1	72376036	1	SEALING WASHER	DIN7603 A24X30-ALU
2	72323829	1	SCREW	
3	72323827	1	START-UP CAP	
4	72324159	1	COMPRESSION SPRING	



040104

---

Fendt

FENDT 209V+F (214/00101-99999)

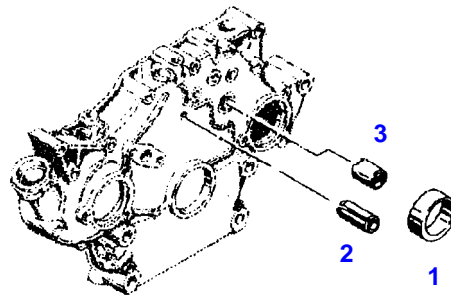
F214000

FRONT COVER

Page01-0015

---

Item	Part Number	Qty	Description Comments
			LOCKING
1	72323709	1	COVER ><2
2	72323708	1	SEALING WASHER



040105

Fendt

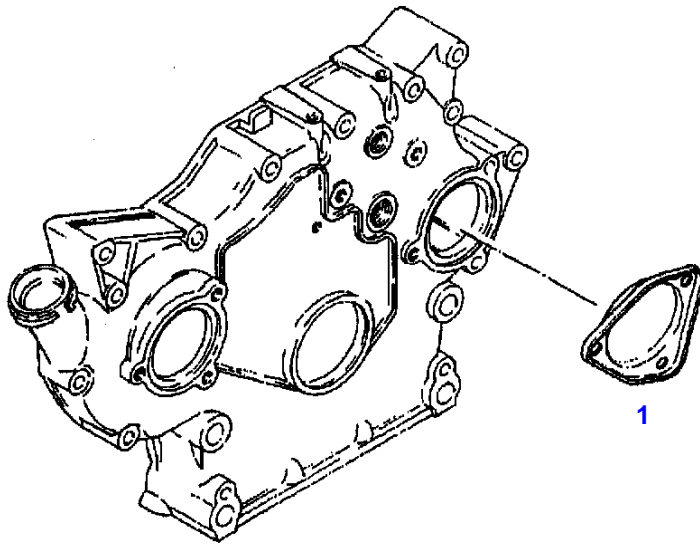
FENDT 209V+F (214/00101-99999)

F214000

FRONT COVER

Page01-0016

Item	Part Number	Qty	Description Comments	Technical Specification
			CLAMPING PARTS ENGINE NUMBER --> 8701893	
1	72323976	1	RING	
2	72313818	1	TENSIONING PIN	ISO8752-6X20-A-ST-ZNPHR10F-KOE
3	72324243	1	DRIVER	



040106

---

Fendt

FENDT 209V+F (214/00101-99999)

F214000

FRONT COVER

Page01-0017

---

Item	Part Number	Qty	Description Comments
			CLAMPING PARTS
1	72324418	1	COVER



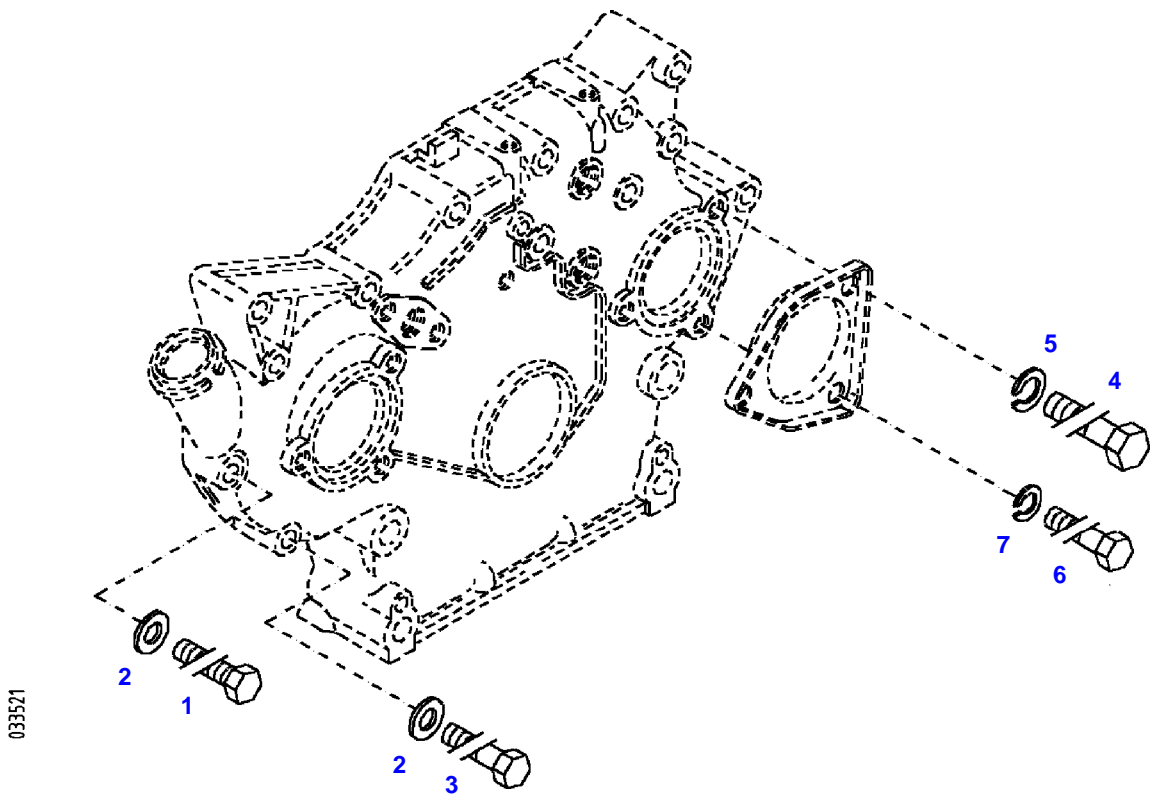
**Suggest:**

**For more complete manuals. Please go to the home page.**

**<https://www.ebooklibonline.com>**

**If the above button click is invalid. Please download this document first, and then click the above link to download the complete manual.**

**Thank you so much for reading**



033521

Item	Part Number	Qty	Description Comments	Technical Specification
<b>FASTENINGS</b>				
1	72606335	1	HEXAGONAL HEAD BOLT	M8X60
2	72311788	2	DISC	DIN 125-8,4-ST.A3L
3	72315534	1	HEXAGONAL HEAD BOLT	DIN 931 M8 X 70-8.8
4	72374183	1	HEXAGONAL HEAD BOLT	DIN 931 M10X75-8.8
5	72315054	1	SPLIT WASHER	FWN 65208-10-A3L
6	72315537	1	HEXAGONAL HEAD BOLT	DIN 931 M8X85-8.8A3L
7	72315053	1	SPLIT WASHER	FWN 65208-8-A3L

**<https://www.ebooklibonline.com>**

Hello dear friend!

Thank you very much for reading.

Enter the link into your browser.

The full manual is available for immediate download.

**<https://www.ebooklibonline.com>**