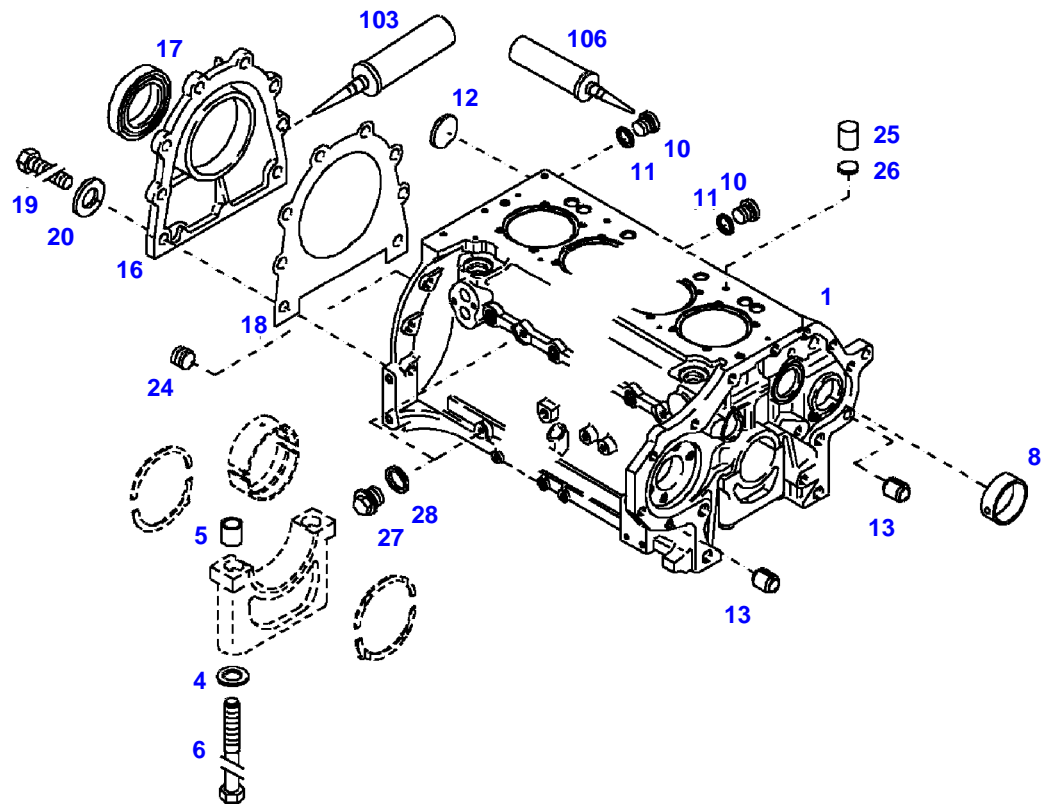


Page Number	Page Title	Page Reference
01-000-TOC	ENGINE, FUEL AND EXHAUST SYSTEM	01-000-TOC
02-000-TOC	AXLES	02-000-TOC
03-000-TOC	STEERING SYSTEM	03-000-TOC
04-000-TOC	DRIVE TRAIN SYSTEM	04-000-TOC
05-000-TOC	COMPRESSED AIR SYSTEM	05-000-TOC
06-000-TOC	HYDRAULIC SYSTEM	06-000-TOC
07-000-TOC	ELECTRICAL SYSTEM	07-000-TOC
08-000-TOC	CAB	08-000-TOC
09-000-TOC	AIR CONDITIONING AND HEATING SYSTEM	09-000-TOC
10-000-TOC	CHASSIS	10-000-TOC
11-000-TOC	WHEELS	11-000-TOC
12-000-TOC	IMPLEMENT LIFT SYSTEM FRONT	12-000-TOC
13-000-TOC	IMPLEMENT LIFT SYSTEM REAR	13-000-TOC
14-000-TOC	FRONT/REAR LOADERS	14-000-TOC
15-000-TOC	ACCESSORIES	15-000-TOC

FENDT 209S (329/00101-99999)
33510



033510

Item	Part Number	Qty	Description Comments	Technical Specification
	72427692	1	DIESEL ENGINE ENGINE NEW <-- 329/0101 --> 329/0200 <-- 329/1001 --> 329/2089 <-- Z214.202.010.010	F329
	72436666	1	DIESEL ENGINE ENGINE NEW <-- 329/2090 --> 329/3089 <-- Z214.202.010.020	
	72438712	1	DIESEL ENGINE ENGINE NEW <-- 329/3090 --> 329/3300 <-- Z214.202.010.030	F329
	72439801	1	DIESEL ENGINE <-- 329/3301 <-- Z214.202.010.040	F329
1	72431548	1	CRANKCASE ><4-6,8,10-13,24,27,28	
4	72323682	10	DISC	
5	72344342	10	ADAPTER BUSH	
6	72344343	10	HEXAGONAL HEAD BOLT	
8	72344344	1	BUSH	
10	72427167	5	SCREW	DIN 908 M12 X 1,5-ST-A3
11	72315090	5	SEALING WASHER	DIN 7603 A12X15,5-CU
12	72323690	1	LOCKING DISC	
13	72323573	2	TENSIONER BUSHING	
16	72324099	1	COVER	
17	72425119	1	SHAFT SEAL	
18	72324291	1	SEAL	
19	72315650	8	HEXAGONAL HEAD BOLT	DIN 933 M8 X 20-8.8A3L
20	72311788	8	DISC	DIN 125-8,4-ST.A3L
24	72431459	2	SCREW	
25	72323592	3	PLUG	
26	72323572	3	DISC	
27	72374942	1	PLUG	DIN 7604 CM10X1-ST
28	72315088	1	SEALING WASHER	DIN 7603 A10X13,5-CU
103	72311273	1	SEALING COMPOUND	TEROST-63S
106	72431547	1	SEALING COMPOUND	

<https://www.ebooklibonline.com>

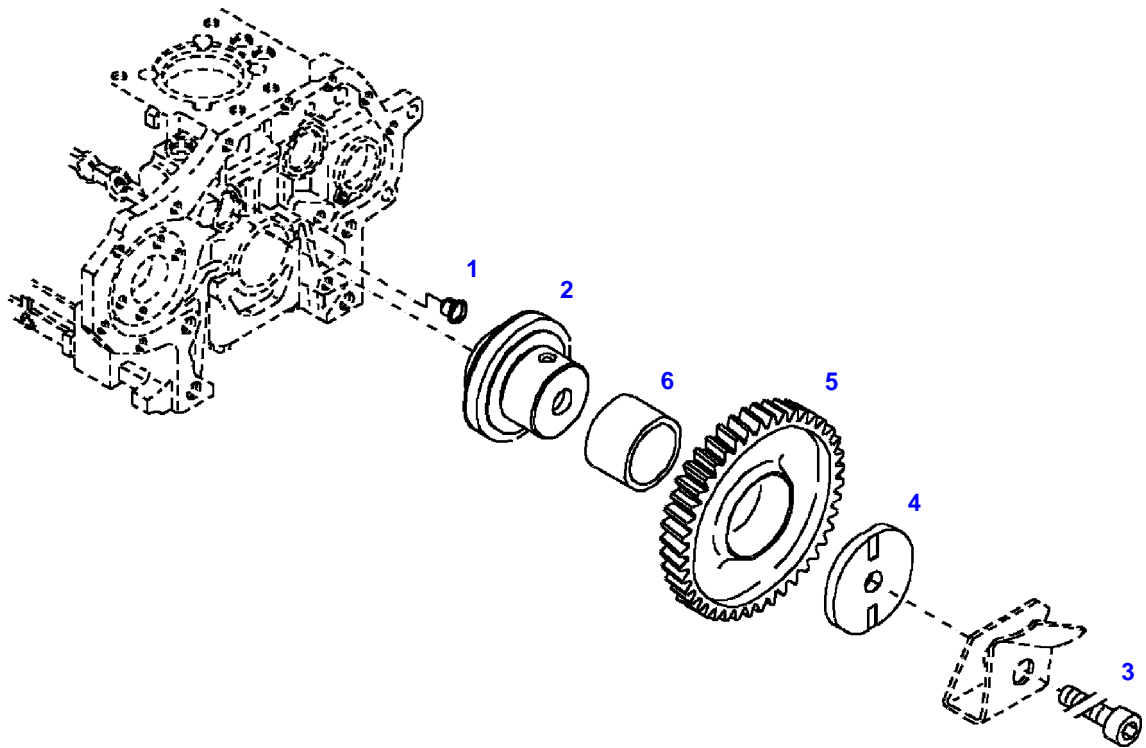
Hello dear friend!

Thank you very much for reading.

Enter the link into your browser.

The full manual is available for immediate download.

<https://www.ebooklibonline.com>



033511

Fendt

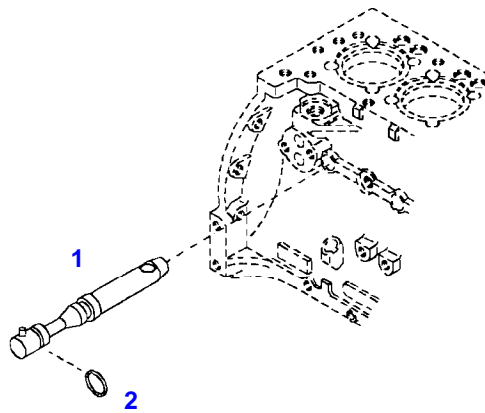
FENDT 209S (329/00101-99999)

F329000

CRANKCASE

Page01-0002

Item	Part Number	Qty	Description Comments
			INTERM. GEAR WHEEL
1	72344346	1	TENSIONER BUSHING
2	72344347	1	PIVOT
3	72324090	1	SOCKET HEAD BOLT
4	72324457	1	DISC
5	72420823	1	INTERMEDIATE GEAR ><6
6	72324455	1	BUSH



040154

Fendt

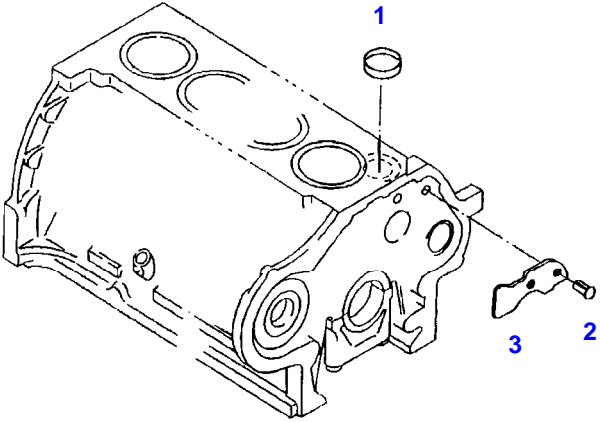
FENDT 209S (329/00101-99999)

F329000

CRANKCASE

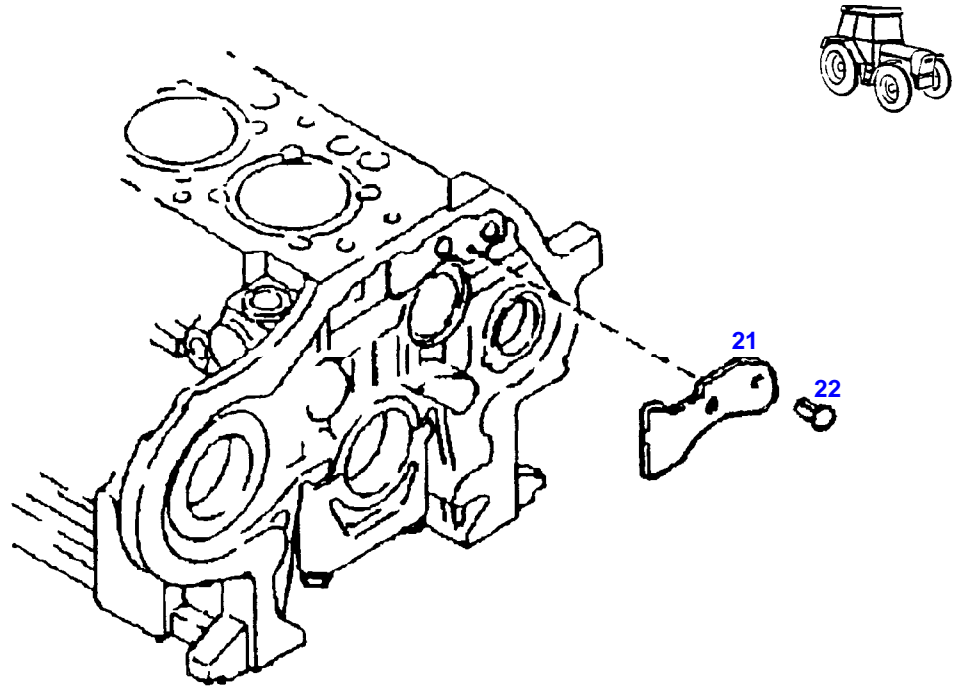
Page01-0003

Item	Part Number	Qty	Description Comments
			NOZZLE
1	72324217	4	SPRAY NOZZLE >< 2
2	72323628	4	SEAL



040097

Item	Part Number	Qty	Description Comments	Technical Specification
			LOCKING PLUG <-- 329/0101 --> 329/0200 <-- 329/1001 --> 329/2089	
1	72323653	1	CORE HOLE PLUG	
2	72372707	2	SLOTTED PIN	DIN 1476-6X10-ST
3	72344345	1	BAFFLE	



12459

Fendt

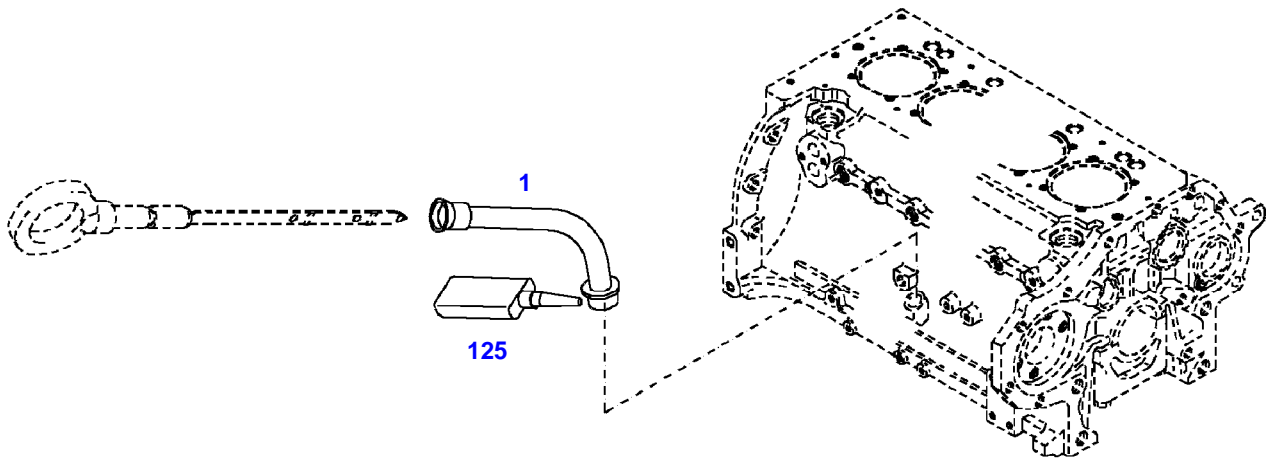
FENDT 209S (329/00101-99999)

F329000

CRANKCASE

Page01-0005

Item	Part Number	Qty	Description Comments	Technical Specification
			BLANKING PARTS <-- 329/2090	
21	72344345	1	BAFFLE	
22	72372707	2	SLOTTED PIN	DIN 1476-6X10-ST



033512

Fendt

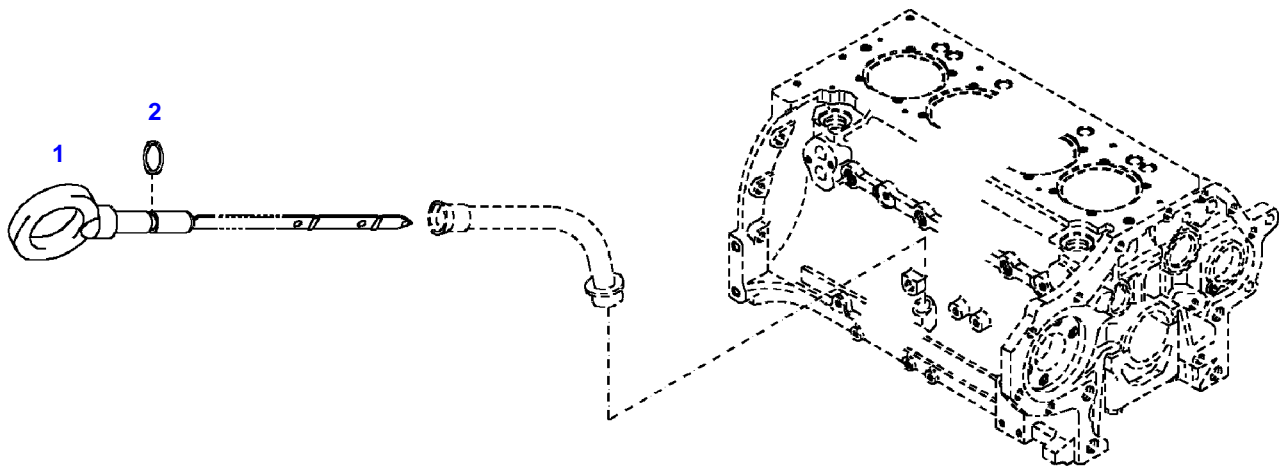
FENDT 209S (329/00101-99999)

F329000

OIL DIPSTICK

Page01-0006

Item	Part Number	Qty	Description Comments
			GUIDE TUBE
1	72428343	1	GUIDE TUBE
125	72415445	1	SAFE.LOCK AGENT



033528

Fendt

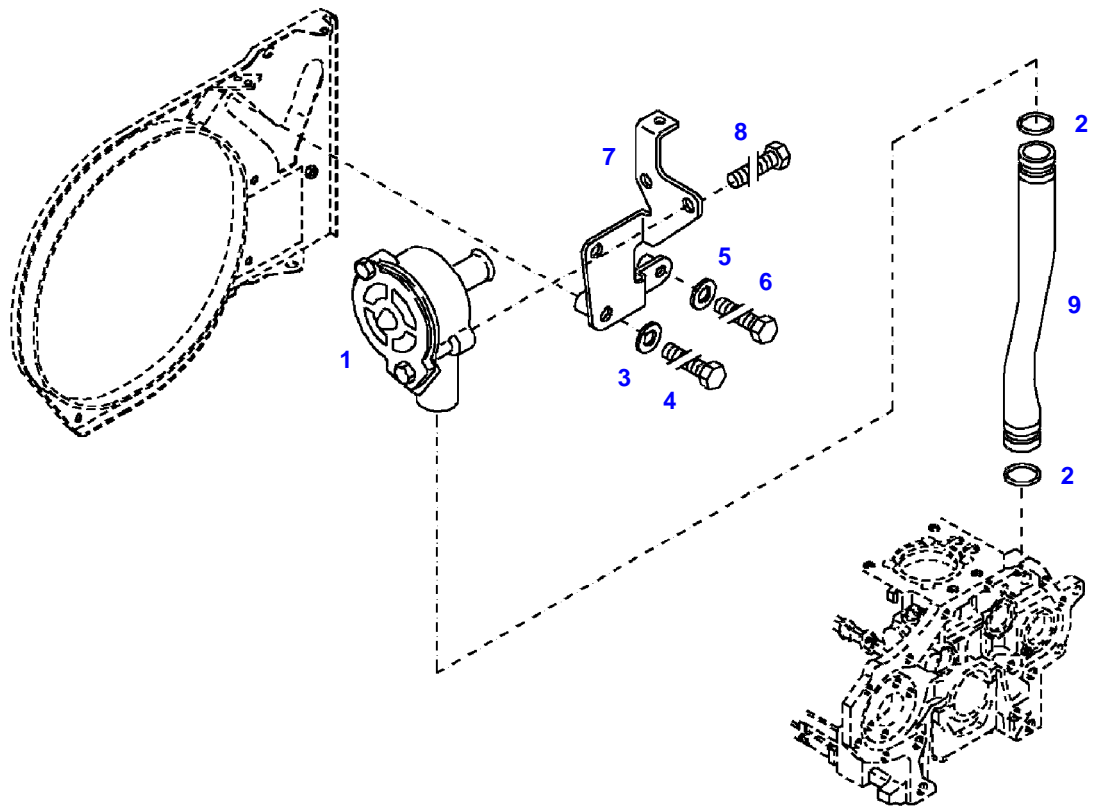
FENDT 209S (329/00101-99999)

F329000

OIL DIPSTICK

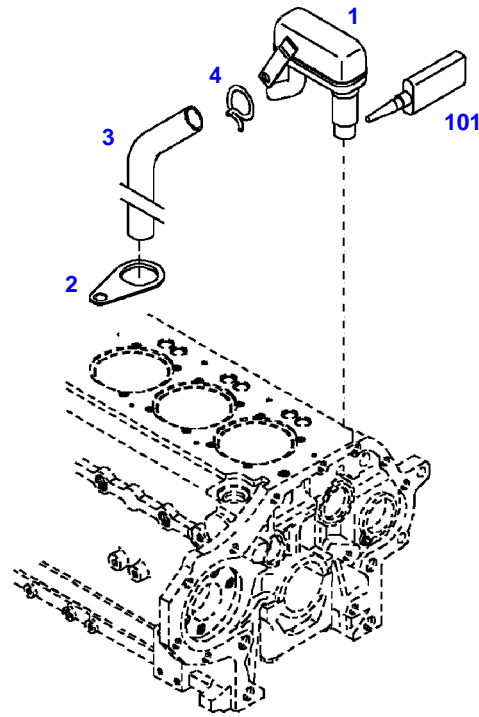
Page01-0007

Item	Part Number	Qty	Description Comments
1	72451107	1	DIPSTICK ><2
2	72323559	1	PERMANENT REINFORCEMENT



033513

Item	Part Number	Qty	Description Comments	Technical Specification
			<-- 329/0101 --> 329/0200 <-- 329/1001 --> 329/2089	
1	72615403	1	BLEEDER VALVE	
2	72416005	2	SEAL 24X3MM	
3	72611358	1	DISC	
4	72427710	1	HEXAGONAL HEAD BOLT M8X35	
5	72416026	1	DISC	
6	72427711	1	HEXAGONAL HEAD BOLT M6X30	
7	72431551	1	RETAINER	
8	72315650	2	HEXAGONAL HEAD BOLT	DIN 933 M8 X 20-8.8A3L
9	72431552	1	BREATHER PIPE	



035121

Fendt

FENDT 209S (329/00101-99999)

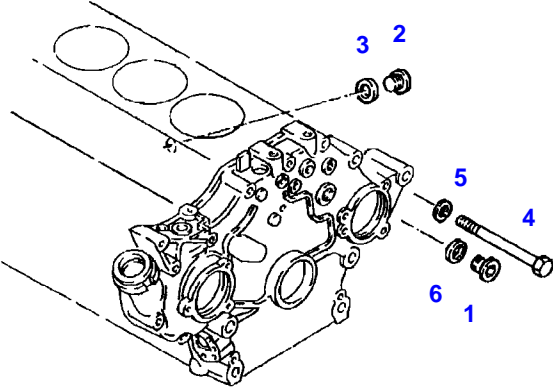
F329000

CRANKCASE BREATHER

Page01-0009

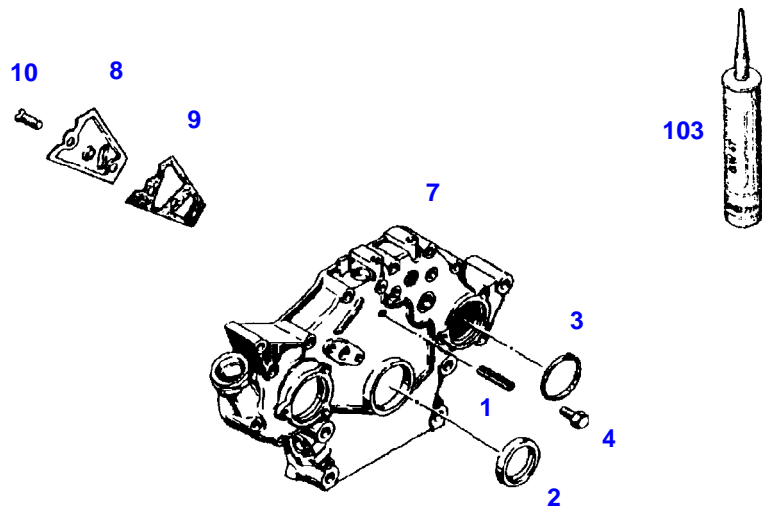
Item	Part Number	Qty	Description Comments
			<-- 329/2090
1	72451208	1	BLEEDER VALVE
2	72426064	1	RETAINING SHEET METAL
3	72451209	1	HOSE
4	72431275	1	CLAMP
101	72431276	1	SEALING COMPOUND

FENDT 209S (329/00101-99999)
40099



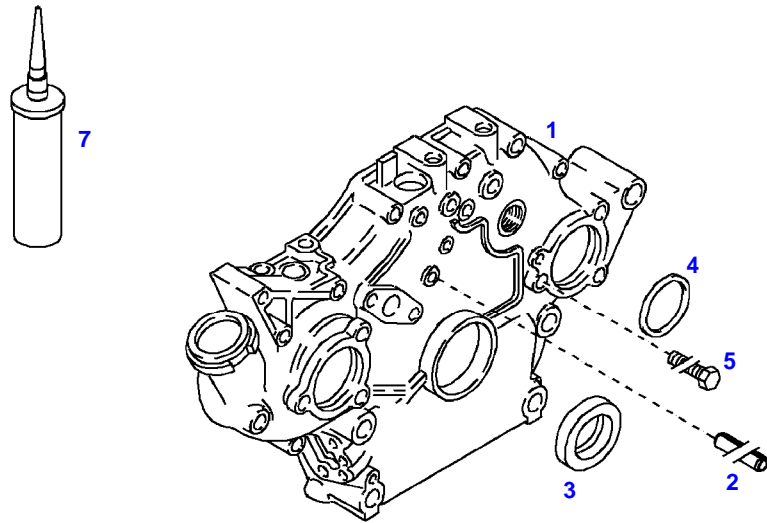
040099

Item	Part Number	Qty	Description Comments	Technical Specification
BLANKING PARTS				
1	72315440	1	PLUG SCREW	DIN 908 M18 X 1,5-ST
2	72427167	1	SCREW	DIN 908 M12 X 1,5-ST-A3
3	72315090	1	SEALING WASHER	DIN 7603 A12X15,5-CU
4	72315534	2	HEXAGONAL HEAD BOLT	DIN 931 M8 X 70-8.8
5	72311788	1	DISC	DIN 125-8,4-ST.A3L
6	72315100	1	SEALING WASHER	DIN 7603 A18X24-CU



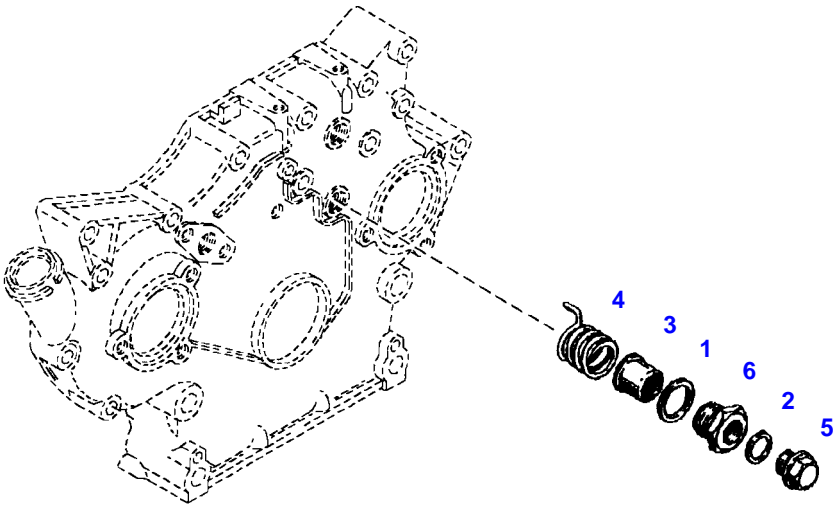
040155

Item	Part Number	Qty	Description Comments	Technical Specification
			<-- 329/0101 --> 329/0200 <-- 329/1001 --> 329/2089	
1	72375153	1	TENSIONING PIN	ISO8752-6X45-A-ST-ZNPHR10F-KOE
2	72317651	1	SHAFT SEAL	
3	72323566	1	PERMANENT REINFORCEMENT	
4	72374417	1	HEXAGONAL HEAD BOLT	DIN 933 M8X8-8.8
7	72431553	1	CRANKCASE END COVER	
8	72416037	1	COVER PANEL	
9	72416038	1	SEAL	
10	72418423	3	THREAD-CUTTING TAPPING SCREW	DIN 7513-FE M6X16-ST
103	72311273	1	SEALING COMPOUND	TEROST-63S



035122

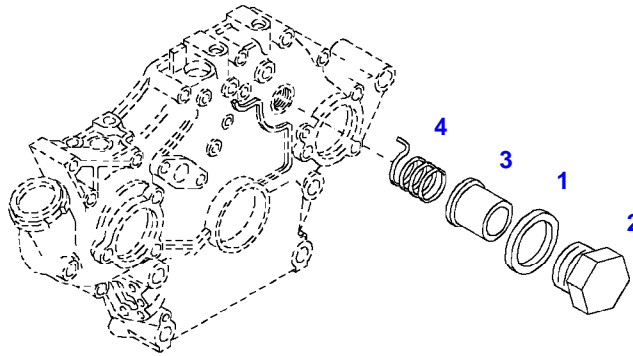
Item	Part Number	Qty	Description Comments	Technical Specification
			<-- 329/2090	
1	72323843	1	COVER	
2	72375153	1	TENSIONING PIN	ISO8752-6X45-A-ST-ZNPHR10F-KOE
3	72317651	1	SHAFT SEAL	
4	72323566	1	PERMANENT REINFORCEMENT	
5	72374417	1	HEXAGONAL HEAD BOLT	DIN 933 M8X8-8.8
7	72311273	1	SEALING COMPOUND	TEROST-63S



040107

Item	Part Number	Qty	Description Comments	Technical Specification
			BLANKING PARTS	
			ENGINE NUMBER	
			--> 8674078	
1	72376036	1	SEALING WASHER	DIN7603 A24X30-ALU
2	72315099	1	SEALING WASHER	DIN 7603 A18X22-CU
3	72323827	1	START-UP CAP	
4	72324159	1	COMPRESSION SPRING	
5	72315801	1	SCREW	DIN 7604-AM18 X 1,5-ST A3L
6	72324020	1	SCREW	

FENDT 209S (329/00101-99999)
40416



040416

Fendt

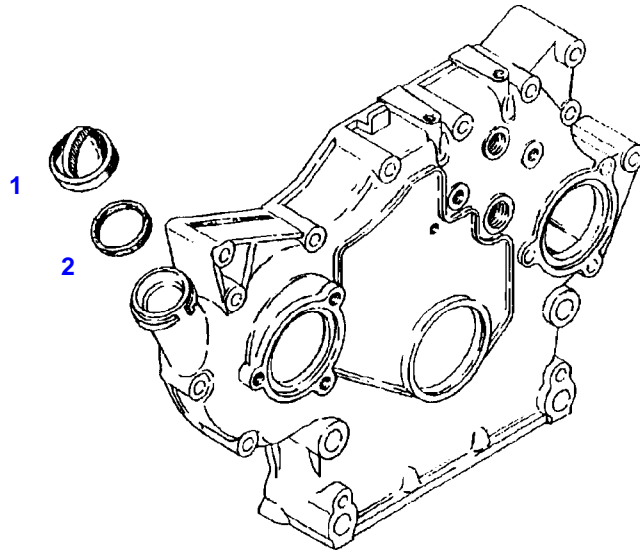
FENDT 209S (329/00101-99999)

F329000

FRONT COVER

Page01-0014

Item	Part Number	Qty	Description Comments	Technical Specification
			BLANKING PARTS ENGINE NUMBER <-- 8674079	
1	72376036	1	SEALING WASHER	DIN7603 A24X30-ALU
2	72323829	1	SCREW	
3	72323827	1	START-UP CAP	
4	72324159	1	COMPRESSION SPRING	



040104

Fendt

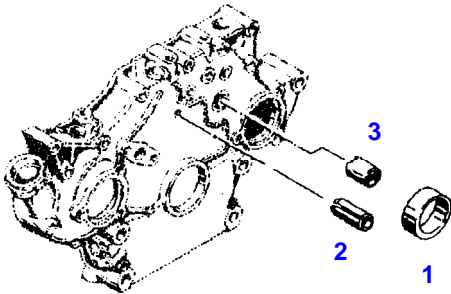
FENDT 209S (329/00101-99999)

F329000

FRONT COVER

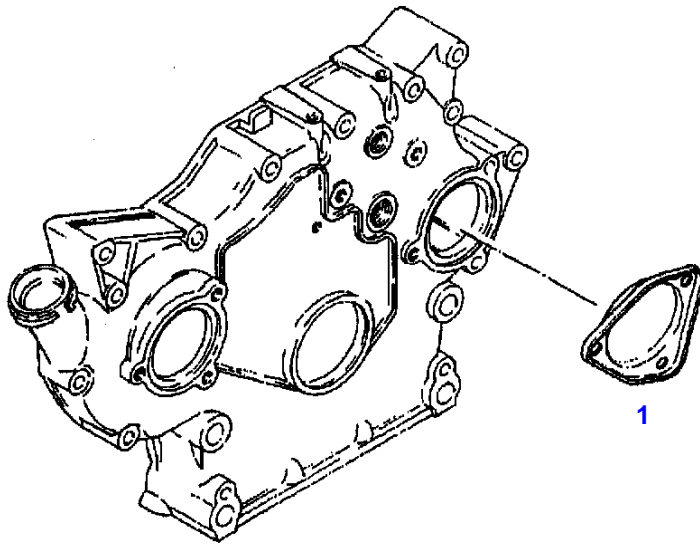
Page01-0015

Item	Part Number	Qty	Description Comments
			LOCKING
1	72323709	1	COVER ><2
2	72323708	1	SEALING WASHER



040105

Item	Part Number	Qty	Description Comments	Technical Specification
			CLAMPING PARTS ENGINE NUMBER --> 8701893	
1	72323976	1	RING	
2	72313818	1	TENSIONING PIN	ISO8752-6X20-A-ST-ZNPHR10F-KOE
3	72324243	1	DRIVER	



040106



Suggest:

For more complete manuals. Please go to the home page.

<https://www.ebooklibonline.com>

If the above button click is invalid. Please download this document first, and then click the above link to download the complete manual.

Thank you so much for reading

Fendt

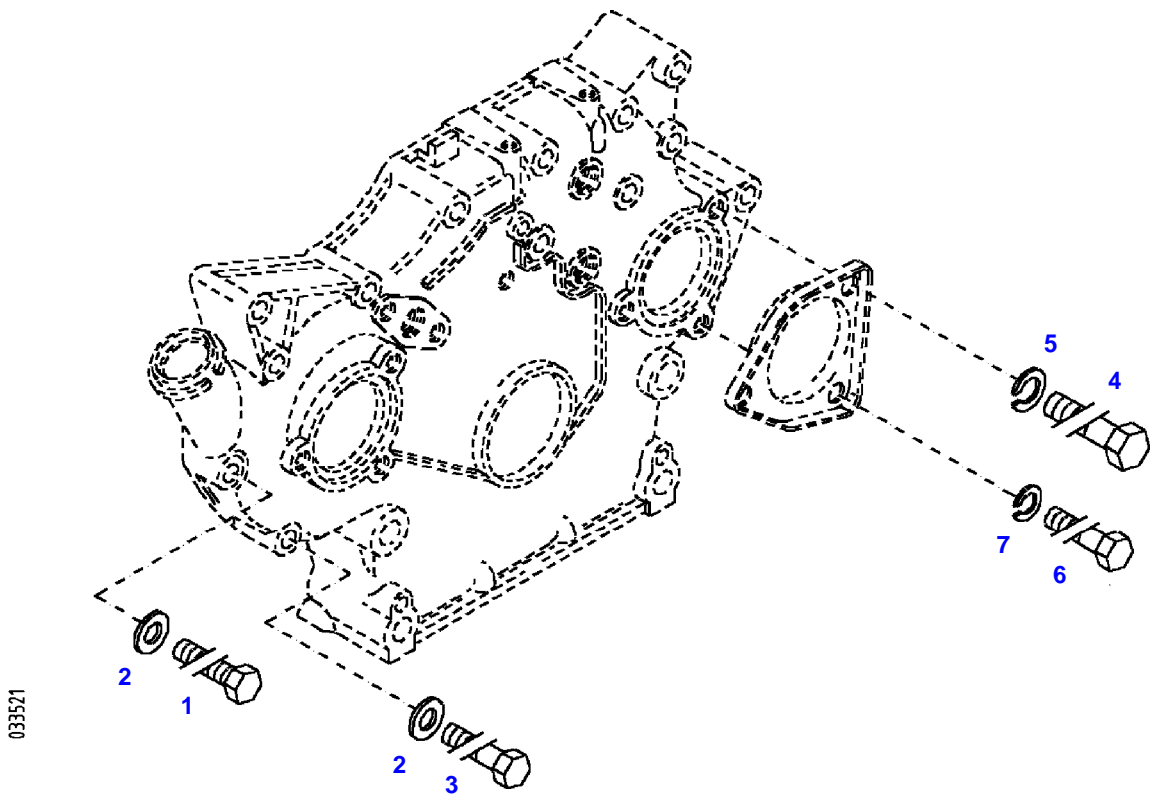
FENDT 209S (329/00101-99999)

F329000

FRONT COVER

Page01-0017

Item	Part Number	Qty	Description Comments
			CLAMPING PARTS
1	72324418	1	COVER



033521

<https://www.ebooklibonline.com>

Hello dear friend!

Thank you very much for reading.

Enter the link into your browser.

The full manual is available for immediate download.

<https://www.ebooklibonline.com>