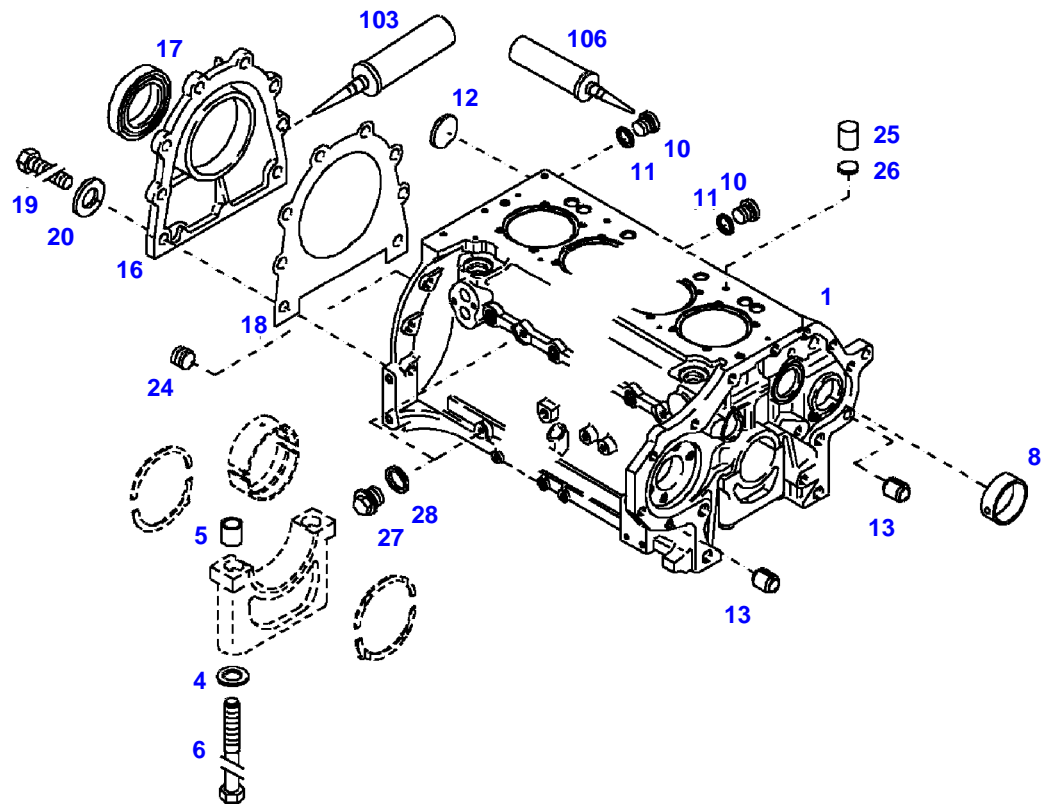


| Page Number | Page Title | Page Reference |
|--------------------|-------------------------------------|-----------------------|
| 01-000-TOC | ENGINE, FUEL AND EXHAUST SYSTEM | 01-000-TOC |
| 02-000-TOC | AXLES | 02-000-TOC |
| 03-000-TOC | STEERING SYSTEM | 03-000-TOC |
| 04-000-TOC | DRIVE TRAIN SYSTEM | 04-000-TOC |
| 05-000-TOC | COMPRESSED AIR SYSTEM | 05-000-TOC |
| 06-000-TOC | HYDRAULIC SYSTEM | 06-000-TOC |
| 07-000-TOC | ELECTRICAL SYSTEM | 07-000-TOC |
| 08-000-TOC | CAB | 08-000-TOC |
| 09-000-TOC | AIR CONDITIONING AND HEATING SYSTEM | 09-000-TOC |
| 10-000-TOC | CHASSIS | 10-000-TOC |
| 11-000-TOC | WHEELS | 11-000-TOC |
| 12-000-TOC | IMPLEMENT LIFT SYSTEM FRONT | 12-000-TOC |
| 13-000-TOC | IMPLEMENT LIFT SYSTEM REAR | 13-000-TOC |
| 14-000-TOC | FRONT/REAR LOADERS | 14-000-TOC |
| 15-000-TOC | ACCESSORIES | 15-000-TOC |

FENDT 209P (222/00101-99999)
33510



033510

| Item | Part Number | Qty | Description Comments | Technical Specification |
|------|-------------|-----|---|---|
| | 72427692 | 1 | DIESEL ENGINE ENGINE NEW <-- 222/0101 --> 222/0200 <-- 222/1001 --> 222/2018 <-- Z214.202.010.010 | F329 |
| | 72436666 | 1 | DIESEL ENGINE ENGINE NEW <-- 222/2019 --> 222/3039 <-- Z214.202.010.020 | |
| | 72438712 | 1 | DIESEL ENGINE ENGINE NEW <-- 222/3040 --> 222/3121 <-- Z214.202.010.030 | F329 |
| | 72439801 | 1 | DIESEL ENGINE <-- 222/3122 <-- Z214.202.010.040 | F329 |
| 1 | 72431548 | 1 | CRANKCASE ><4-6,8,10-13,24,27,28 | |
| 4 | 72323682 | 10 | DISC | |
| 5 | 72344342 | 10 | ADAPTER BUSH | |
| 6 | 72344343 | 10 | HEXAGONAL HEAD BOLT | |
| 8 | 72344344 | 1 | BUSH | |
| 10 | 72427167 | 5 | SCREW | DIN 908 M12 X 1,5-ST-A3 |
| 11 | 72315090 | 5 | SEALING WASHER | DIN 7603 A12X15,5-CU |
| 12 | 72323690 | 1 | LOCKING DISC | |
| 13 | 72323573 | 2 | TENSIONER BUSHING | |
| 16 | 72324099 | 1 | COVER | |
| 17 | 72425119 | 1 | SHAFT SEAL | |
| 18 | 72324291 | 1 | SEAL | |
| 19 | 72315650 | 8 | HEXAGONAL HEAD BOLT | DIN 933 M8 X 20-8.8A3L DIN 125-8,4-ST.A3L |
| 20 | 72311788 | 8 | DISC | |
| 24 | 72431459 | 2 | SCREW | |
| 25 | 72323592 | 3 | PLUG | |
| 26 | 72323572 | 3 | DISC | |
| 27 | 72374942 | 1 | PLUG | DIN 7604 CM10X1-ST |
| 28 | 72315088 | 1 | SEALING WASHER | DIN 7603 A10X13,5-CU |
| 103 | 72311273 | 1 | SEALING COMPOUND | TEROST-63S |
| 106 | 72431547 | 1 | SEALING COMPOUND | |

<https://www.ebooklibonline.com>

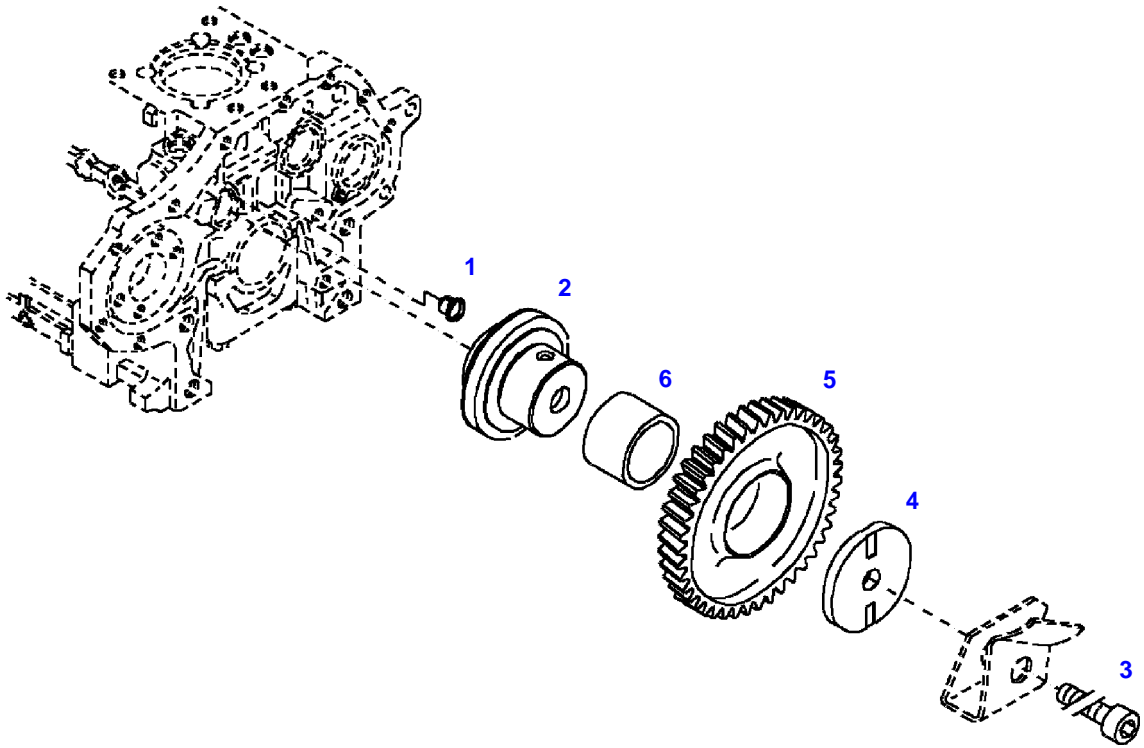
Hello dear friend!

Thank you very much for reading.

Enter the link into your browser.

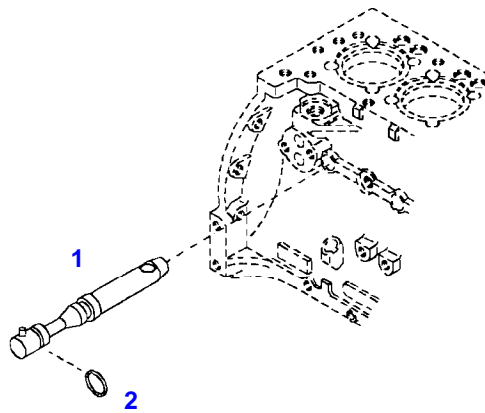
The full manual is available for immediate download.

<https://www.ebooklibonline.com>



033511

| Item | Part Number | Qty | Description Comments |
|------|-------------|-----|---------------------------|
| | | | INTERM. GEAR WHEEL |
| 1 | 72344346 | 1 | TENSIONER BUSHING |
| 2 | 72344347 | 1 | PIVOT |
| 3 | 72324090 | 1 | SOCKET HEAD BOLT |
| 4 | 72324457 | 1 | DISC |
| 5 | 72420823 | 1 | INTERMEDIATE GEAR ><6 |
| 6 | 72324455 | 1 | BUSH |



040154

Fendt

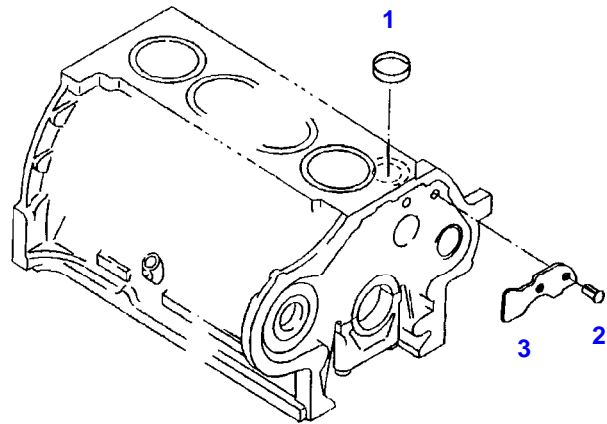
FENDT 209P (222/00101-99999)

F222000

CRANKCASE

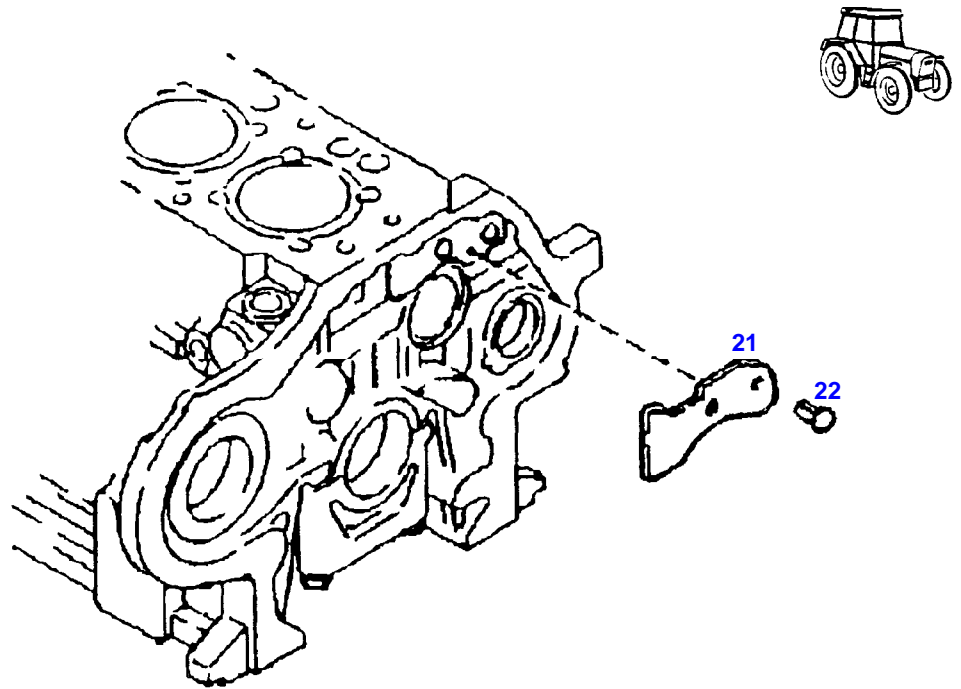
Page01-0003

| Item | Part Number | Qty | Description Comments |
|------|-------------|-----|-------------------------|
| | | | NOZZLE |
| 1 | 72324217 | 4 | SPRAY NOZZLE >< 2 |
| 2 | 72323628 | 4 | SEAL |



040097

| Item | Part Number | Qty | Description Comments | Technical Specification |
|------|-------------|-----|--|-------------------------|
| | | | LOCKING PLUG <-- 222/0101 --> 222/0200 <-- 222/1001 --> 222/2018 | |
| 1 | 72323653 | 1 | CORE HOLE PLUG | |
| 2 | 72372707 | 2 | SLOTTED PIN | DIN 1476-6X10-ST |
| 3 | 72344345 | 1 | BAFFLE | |



12459

Fendt

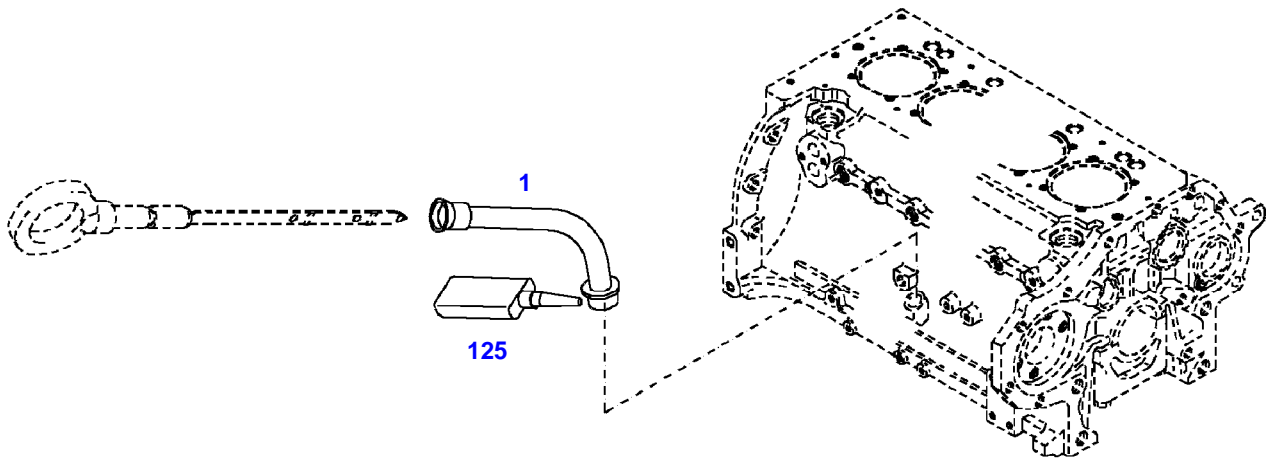
FENDT 209P (222/00101-99999)

F222000

CRANKCASE

Page01-0005

| Item | Part Number | Qty | Description Comments | Technical Specification |
|------|-------------|-----|---------------------------------------|-------------------------|
| | | | BLANKING PARTS <-- 222/2019 | |
| 21 | 72344345 | 1 | BAFFLE | |
| 22 | 72372707 | 2 | SLOTTED PIN | DIN 1476-6X10-ST |



033512

Fendt

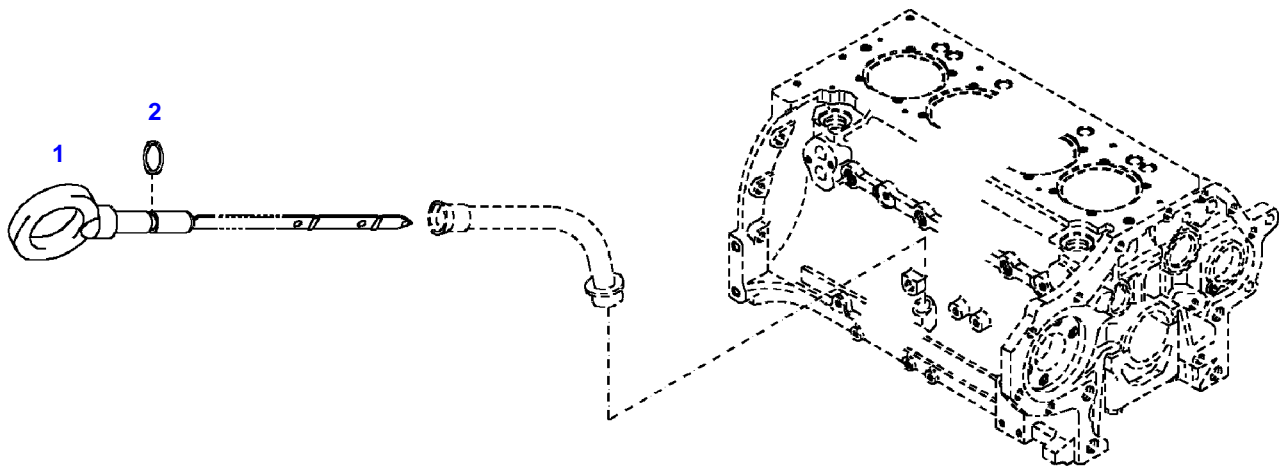
FENDT 209P (222/00101-99999)

F222000

OIL DIPSTICK

Page01-0006

| Item | Part Number | Qty | Description Comments |
|------|-------------|-----|-------------------------|
| | | | GUIDE TUBE |
| 1 | 72428343 | 1 | GUIDE TUBE |
| 125 | 72415445 | 1 | SAFE.LOCK AGENT |



033528

Fendt

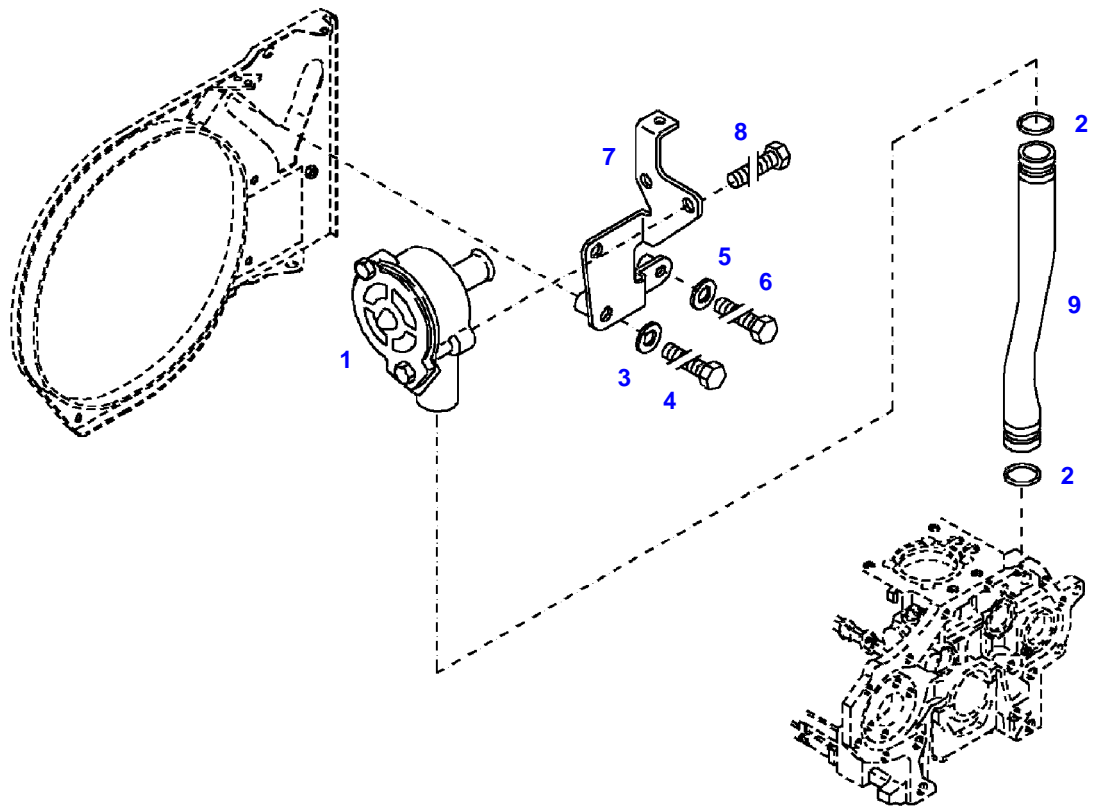
FENDT 209P (222/00101-99999)

F222000

OIL DIPSTICK

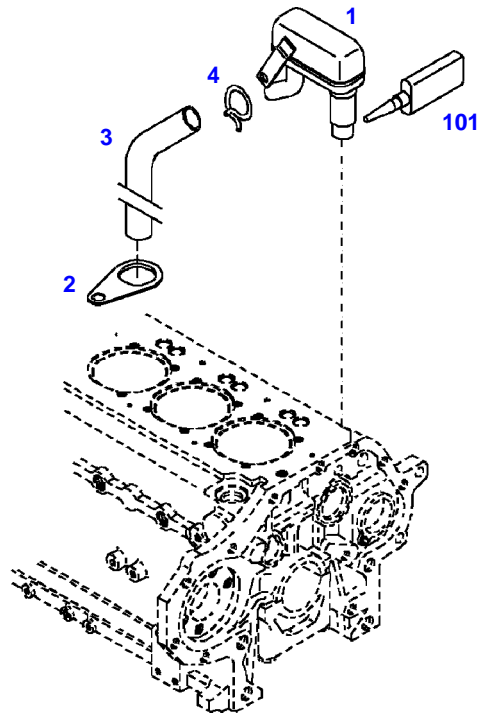
Page01-0007

| Item | Part Number | Qty | Description Comments |
|------|-------------|-----|-------------------------|
| 1 | 72451107 | 1 | DIPSTICK ><2 |
| 2 | 72323559 | 1 | PERMANENT REINFORCEMENT |



033513

| Item | Part Number | Qty | Description Comments | Technical Specification |
|------|-------------|-----|--|-------------------------|
| | | | <-- 222/0101 --> 222/0200 <-- 222/1001 --> 222/2018 | |
| 1 | 72615403 | 1 | BLEEDER VALVE | |
| 2 | 72416005 | 2 | SEAL 24X3MM | |
| 3 | 72611358 | 1 | DISC | |
| 4 | 72427710 | 1 | HEXAGONAL HEAD BOLT M8X35 | |
| 5 | 72416026 | 1 | DISC | |
| 6 | 72427711 | 1 | HEXAGONAL HEAD BOLT M6X30 | |
| 7 | 72431551 | 1 | RETAINER | |
| 8 | 72315650 | 2 | HEXAGONAL HEAD BOLT | DIN 933 M8 X 20-8.8A3L |
| 9 | 72431552 | 1 | BREATHER PIPE | |



035121

Fendt

FENDT 209P (222/00101-99999)

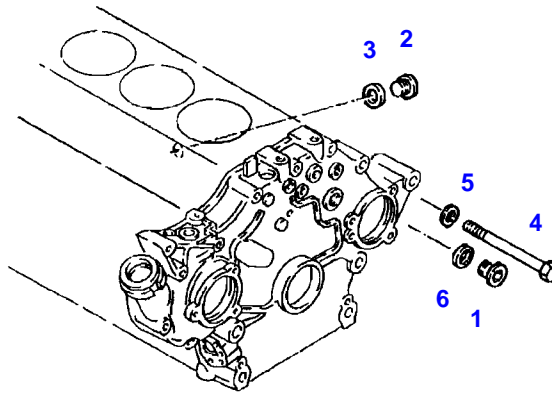
F222000

CRANKCASE BREATHER

Page01-0009

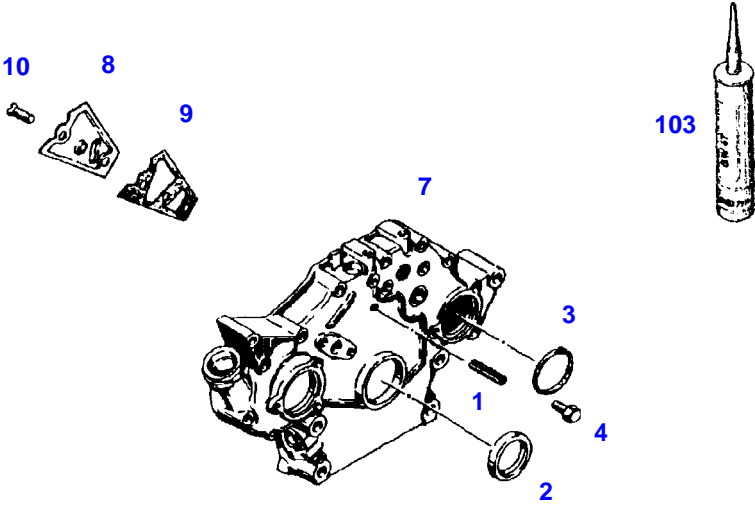
| Item | Part Number | Qty | Description Comments |
|------|-------------|-----|-------------------------|
| | | | <-- 222/2019 |
| 1 | 72451208 | 1 | BLEEDER VALVE |
| 2 | 72426064 | 1 | RETAINING SHEET METAL |
| 3 | 72451209 | 1 | HOSE |
| 4 | 72431275 | 1 | CLAMP |
| 101 | 72431276 | 1 | SEALING COMPOUND |

FENDT 209P (222/00101-99999)
40099



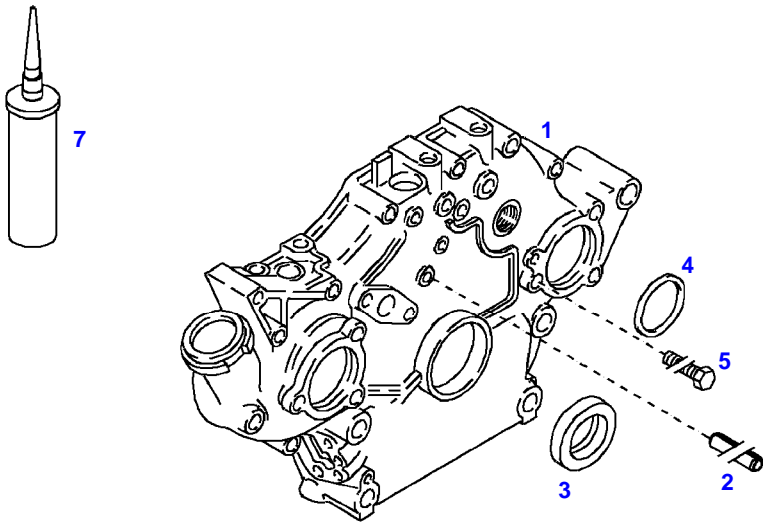
040099

| Item | Part Number | Qty | Description Comments | Technical Specification |
|-----------------------|-------------|-----|-------------------------|-------------------------|
| BLANKING PARTS | | | | |
| 1 | 72315440 | 1 | PLUG SCREW | DIN 908 M18 X 1,5-ST |
| 2 | 72427167 | 1 | SCREW | DIN 908 M12 X 1,5-ST-A3 |
| 3 | 72315090 | 1 | SEALING WASHER | DIN 7603 A12X15,5-CU |
| 4 | 72315534 | 2 | HEXAGONAL HEAD BOLT | DIN 931 M8 X 70-8.8 |
| 5 | 72311788 | 1 | DISC | DIN 125-8,4-ST.A3L |
| 6 | 72315100 | 1 | SEALING WASHER | DIN 7603 A18X24-CU |



040155

| Item | Part Number | Qty | Description Comments | Technical Specification |
|------|-------------|-----|--|--------------------------------|
| | | | <-- 222/0101 --> 222/0200 <-- 222/1001 --> 222/2018 | |
| 1 | 72375153 | 1 | TENSIONING PIN | ISO8752-6X45-A-ST-ZNPHR10F-KOE |
| 2 | 72317651 | 1 | SHAFT SEAL | |
| 3 | 72323566 | 1 | PERMANENT REINFORCEMENT | |
| 4 | 72374417 | 1 | HEXAGONAL HEAD BOLT | DIN 933 M8X8-8.8 |
| 7 | 72431553 | 1 | CRANKCASE END COVER | |
| 8 | 72416037 | 1 | COVER PANEL | |
| 9 | 72416038 | 1 | SEAL | |
| 10 | 72418423 | 3 | THREAD-CUTTING TAPPING SCREW | DIN 7513-FE M6X16-ST |
| 103 | 72311273 | 1 | SEALING COMPOUND | TEROST-63S |



035122

| Item | Part Number | Qty | Description Comments | Technical Specification |
|------|-------------|-----|-------------------------|--------------------------------|
| | | | <-- 222/2019 | |
| 1 | 72323843 | 1 | COVER | |
| 2 | 72375153 | 1 | TENSIONING PIN | ISO8752-6X45-A-ST-ZNPHR10F-KOE |
| 3 | 72317651 | 1 | SHAFT SEAL | |
| 4 | 72323566 | 1 | PERMANENT REINFORCEMENT | |
| 5 | 72374417 | 1 | HEXAGONAL HEAD BOLT | DIN 933 M8X8-8.8 |
| 7 | 72311273 | 1 | SEALING COMPOUND | TEROST-63S |



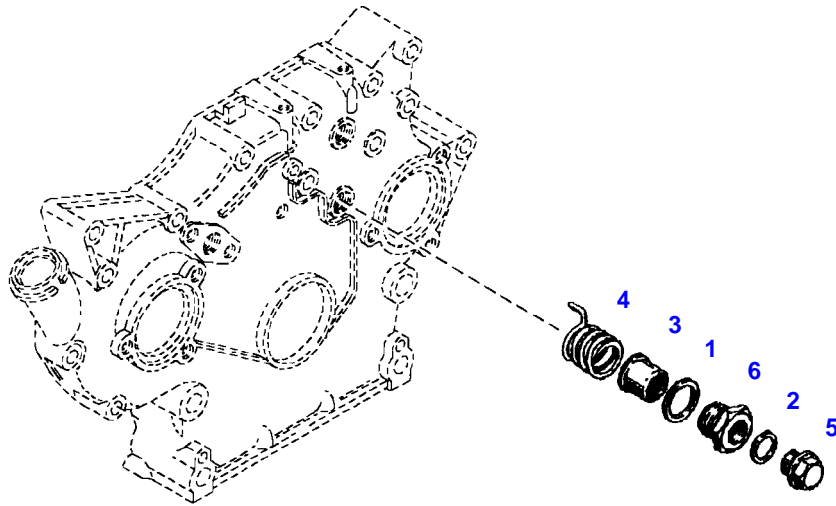
Suggest:

For more complete manuals. Please go to the home page.

<https://www.ebooklibonline.com>

If the above button click is invalid. Please download this document first, and then click the above link to download the complete manual.

Thank you so much for reading



040107

| Item | Part Number | Qty | Description Comments | Technical Specification |
|------|-------------|-----|-------------------------|----------------------------|
| | | | BLANKING PARTS | |
| | | | ENGINE NUMBER | |
| | | | --> 8674078 | |
| 1 | 72376036 | 1 | SEALING WASHER | DIN7603 A24X30-ALU |
| 2 | 72315099 | 1 | SEALING WASHER | DIN 7603 A18X22-CU |
| 3 | 72323827 | 1 | START-UP CAP | |
| 4 | 72324159 | 1 | COMPRESSION SPRING | |
| 5 | 72315801 | 1 | SCREW | DIN 7604-AM18 X 1,5-ST A3L |
| 6 | 72324020 | 1 | SCREW | |

<https://www.ebooklibonline.com>

Hello dear friend!

Thank you very much for reading.

Enter the link into your browser.

The full manual is available for immediate download.

<https://www.ebooklibonline.com>