

<b>Page Number</b>	<b>Page Title</b>	<b>Page Reference</b>
01-000-TOC	ENGINE, FUEL AND EXHAUST SYSTEM	01-000-TOC
02-000-TOC	AXLES	02-000-TOC
03-000-TOC	STEERING SYSTEM	03-000-TOC
04-000-TOC	DRIVE TRAIN SYSTEM	04-000-TOC
05-000-TOC	COMPRESSED AIR SYSTEM	05-000-TOC
06-000-TOC	HYDRAULIC SYSTEM	06-000-TOC
07-000-TOC	ELECTRICAL SYSTEM	07-000-TOC
08-000-TOC	CAB	08-000-TOC
09-000-TOC	AIR CONDITIONING AND HEATING SYSTEM	09-000-TOC
10-000-TOC	CHASSIS	10-000-TOC
11-000-TOC	WHEELS	11-000-TOC
12-000-TOC	IMPLEMENT LIFT SYSTEM FRONT	12-000-TOC
13-000-TOC	IMPLEMENT LIFT SYSTEM REAR	13-000-TOC
14-000-TOC	FRONT/REAR LOADERS	14-000-TOC
15-000-TOC	ACCESSORIES	15-000-TOC

Page Number	Page Title	Page Reference
01-0001	CRANKCASE	2010
01-0002	CRANKCASE	2015
01-0003	INTERM. GEAR WHEEL CRANKCASE	2020
01-0004	NOZZLE CRANKCASE LOCKING PLUG	2025
01-0005	<-- 221/0101 --> 221/0200 <-- 221/1001 --> 221/2010 CRANKCASE BLANKING PARTS	2026
01-0006	<-- 221/2011 OIL DIPSTICK GUIDE TUBE	2030
01-0007	OIL DIPSTICK	2036
01-0008	CRANKCASE BREATHER <-- 221/0101 --> 221/0200 <-- 221/1001 --> 221/2010	2040
01-0009	CRANKCASE BREATHER <-- 221/2011	2041
01-0010	FRONT COVER BLANKING PARTS	2045
01-0011	FRONT COVER <-- 221/0101 --> 221/0200 <-- 221/1001 --> 221/2010	2050
01-0012	FRONT COVER <-- 221/2011	2051
01-0013	FRONT COVER BLANKING PARTS ENGINE NUMBER --> 8674078	2055
01-0014	FRONT COVER BLANKING PARTS ENGINE NUMBER <-- 8674079	2056
01-0015	FRONT COVER LOCKING	2060
01-0016	FRONT COVER CLAMPING PARTS ENGINE NUMBER --> 8701893	2065
01-0017	FRONT COVER CLAMPING PARTS	2070
01-0018	FRONT COVER FASTENINGS	2072
01-0019	FRONT COVER CLAMPING PARTS	2075
01-0020	SET OF GASKETS ENGINE	2078
01-0021	TEMP. TRANSMITTER ENGINE TEMP.	2080
01-0022	CYLINDER HEAD COVER	2085
01-0023	CYLINDER HEAD FASTENINGS	2090
01-0024	CYLINDER HEAD ENGINE NUMBER --> 8686072	2095
01-0025	CYLINDER HEAD ENGINE NUMBER <-- 8686073 --> 8689109	2096
01-0026	CYLINDER HEAD ENGINE NUMBER <-- 8689110 --> 8750180	2097

Page Number	Page Title	Page Reference
01-0027	CYLINDER HEAD ENGINE NUMBER <-- 8750181	2098
01-0028	VALVE DRIVE	2100
01-0029	VALVE DRIVE PROTECTING TUBE	2105
01-0030	CYLINDER	2110
01-0031	CAMSHAFT	2115
01-0032	MASS BALANCER GEAR	2120
01-0033	PISTON	2125
01-0034	CONNECTING ROD	2130
01-0035	CRANKSHAFT	2135
01-0036	CRANKSHAFT V-BELT PULLEY	2140
01-0037	FLYWHEEL	2145
01-0038	OIL PAN ENGINE NUMBER --> 8714291	2150
01-0039	OIL PAN ENGINE NUMBER <-- 8714292	2151
01-0040	LUBE OIL PUMP	2155
01-0041	PRESSURE OIL PIPE	2160
01-0042	OIL SUCTION TUBE	2165
01-0043	LUBRIC. OIL COOLER	2170
01-0044	FILTER CARRIER	2175
01-0045	FILTER CARRIER BLANKING PARTS	2178
01-0046	OIL FILTER	2180
01-0047	OIL PRESSURE SWITCH	2185
01-0048	MANIFOLD	2190
01-0049	TURBO-SUPERCHARGER	2195
01-0050	TURBO-SUPERCHARGER FASTENINGS	2200
01-0051	TURBO-SUPERCHARGER LUBE OIL LINE	2205
01-0052	TURBO-SUPERCHARGER RETURN LINE	2210
01-0053	INTAKE MANIFOLD	2215
01-0054	TUBE	2220
01-0055	INJECTION PUMP LUBE OIL LINE	2225
01-0056	INJECTION PUMP FUEL PUMP	2230
01-0057	INJECTION PUMP SINGLE PART	2233
01-0058	ADJUSTING DEVICE	2235
01-0059	ENGINE STOP ENGINE NUMBER --> 8754195	2240
01-0060	ENGINE STOP ENGINE NUMBER <-- 8754196	2241
01-0061	ENGINE STOP MAGNET	2245
01-0062	ENGINE STOP PLUG HOUSING	2250
01-0063	INJECTION LINE ENGINE NUMBER --> 8760283 <-- 8774483 --> 8777328 <-- 8777469 --> 8777705	2255

**<https://www.ebooklibonline.com>**

Hello dear friend!

Thank you very much for reading.

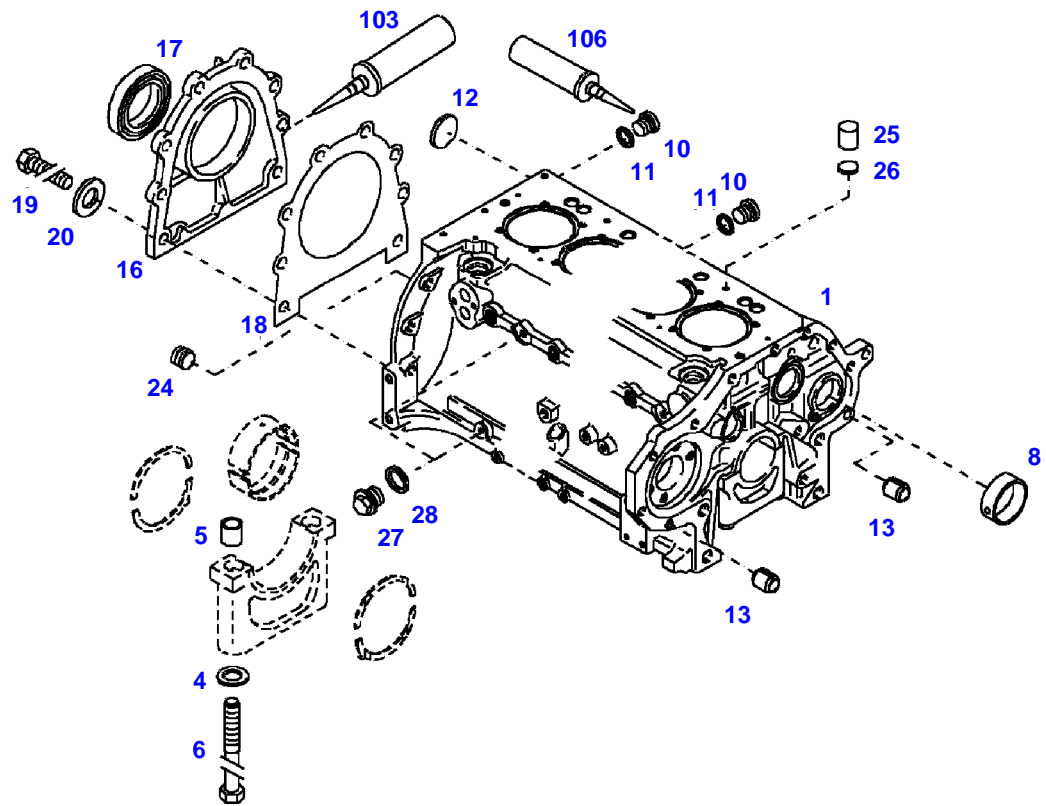
Enter the link into your browser.

The full manual is available for immediate download.

**<https://www.ebooklibonline.com>**

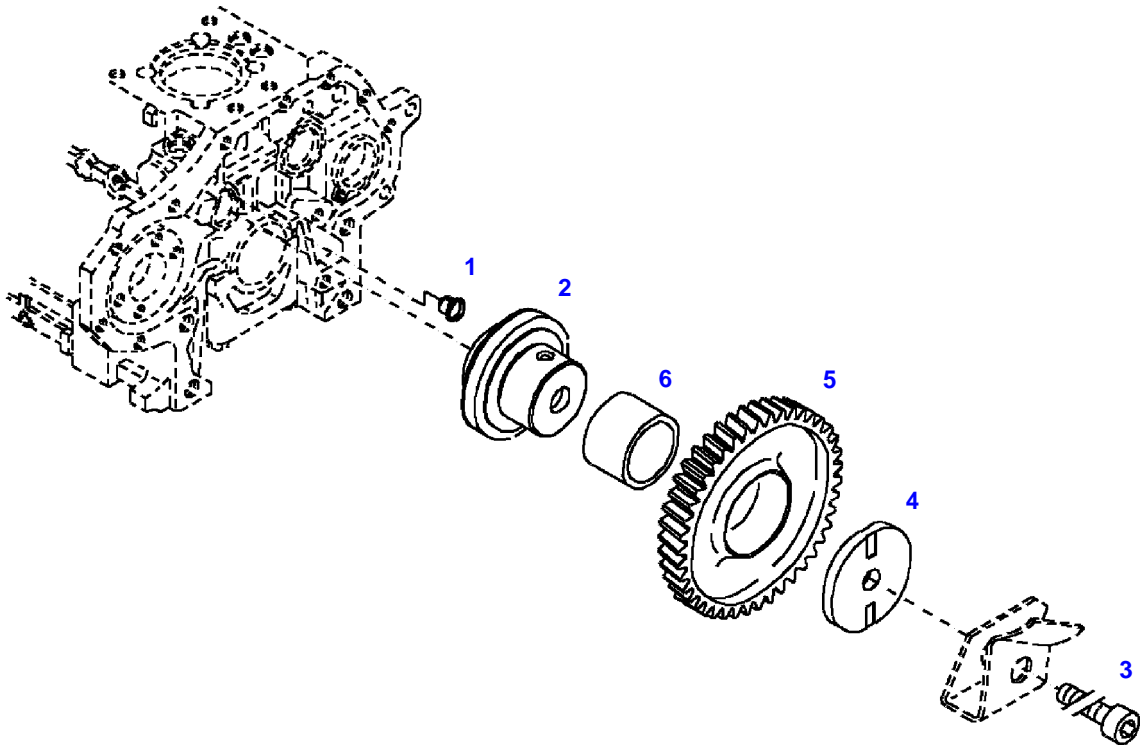
Page Number	Page Title	Page Reference
01-0064	INJECTION LINE ENGINE NUMBER <-- 8760284 --> 8774482 <-- 8777329 --> 8777468 <-- 8777706	2256
01-0065	INJECTOR VALVE	2270
01-0066	COLD STARTING AID HEATER PLUG	2275
01-0067	COLD STARTING AID SOLENOID VALVE	2280
01-0068	COLD STARTING AID FUEL LINES	2285
01-0069	HYDRAULIC OIL COOLING	2290
01-0070	AIR GUIDANCE	2295
01-0071	COOLING AIR BLOWER	2301
01-0072	FAN PANELLING VERTICAL SHEET	2305
01-0073	FAN PANELLING VERTICAL SHEET REAR	2310
01-0074	FAN PANELLING SCREENING SHEET	2315
01-0075	FAN PANELLING GUIDE STRIP	2320
01-0076	FAN PANELLING AIR DUCT	2325
01-0077	FAN PANELLING TOP PART	2330
01-0078	BULKHEAD <-- 221/0101 --> 221/0200 <-- 221/1001 --> 221/2010	2580
01-0079	BULKHEAD <-- 221/2011	2581
01-0080	FUEL TANK <-- 221/0101 --> 221/0200 <-- 221/1001 --> 221/2008	2600
01-0081	FUEL TANK <-- 221/2009	2601
01-0082	FUEL LINES	2620
01-0083	FUEL FILTER	2640
01-0084	AIR FILTER <-- 221/0101 --> 221/0200 <-- 221/1001 --> 221/2010	2680
01-0085	AIR FILTER <-- 221/2011	2681
01-0086	EXHAUST TO BOTTOM FRONTLOADER	2740
01-0087	EXHAUST UPRIGHT MID MOUNTED IMPLEMENT LEFT	2750
01-0088	SPEED CONTROL MANUAL OPERATION	2800
01-0089	SPEED CONTROL FOOT OPERATION	2820
01-0090	V-BELT	2900
01-0091	V-BELT WITH AIR BRAKIN SYSTEM	2910
01-0092	TENSION ROLLER	2915

FENDT 208P NA (221/00101-99999)  
33510



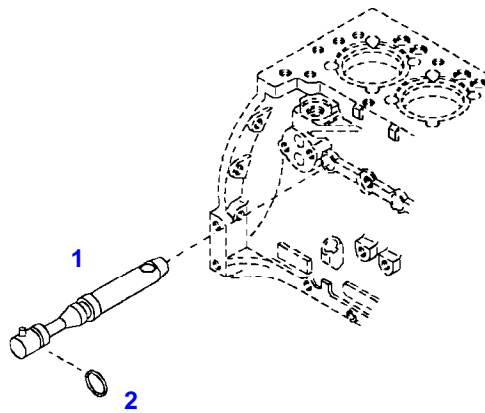
033510

Item	Part Number	Qty	Description Comments	Technical Specification
	72430037	1	DIESEL ENGINE ENGINE NEW <-- 221/0101 --> 221/0200 <-- 221/1001 --> 221/2010 <-- Z213.202.010.020 ENGINE EXCHANGE <>	
	72436452	1	DIESEL ENGINE ENGINE NEW <-- 221/2011 <-- Z213.202.010.030 ENGINE EXCHANGE	F329
1	72431548	1	CRANKCASE ><4-6,8,10-13,24,27,28	
4	72323682	10	DISC	
5	72344342	10	ADAPTER BUSH	
6	72344343	10	HEXAGONAL HEAD BOLT	
8	72344344	1	BUSH	
10	72427167	5	SCREW	DIN 908 M12 X 1,5-ST-A3
11	72315090	5	SEALING WASHER	DIN 7603 A12X15,5-CU
12	72323690	1	LOCKING DISC	
13	72323573	2	TENSIONER BUSHING	
16	72324099	1	COVER	
17	72425119	1	SHAFT SEAL	
18	72324291	1	SEAL	
19	72315650	8	HEXAGONAL HEAD BOLT	DIN 933 M8 X 20-8.8A3L
20	72311788	8	DISC	
24	72431459	2	SCREW	DIN 125-8,4-ST.A3L
25	72323592	3	PLUG	
26	72323572	3	DISC	
27	72374942	1	PLUG	DIN 7604 CM10X1-ST
28	72315088	1	SEALING WASHER	DIN 7603 A10X13,5-CU
103	72311273	1	SEALING COMPOUND	TEROST-63S
106	72431547	1	SEALING COMPOUND	



033511

Item	Part Number	Qty	Description Comments
			<b>INTERM. GEAR WHEEL</b>
1	72344346	1	TENSIONER BUSHING
2	72344347	1	PIVOT
3	72324090	1	SOCKET HEAD BOLT
4	72324457	1	DISC
5	72420823	1	INTERMEDIATE GEAR ><6
6	72324455	1	BUSH



040154

---

Fendt

FENDT 208P NA (221/00101-99999)

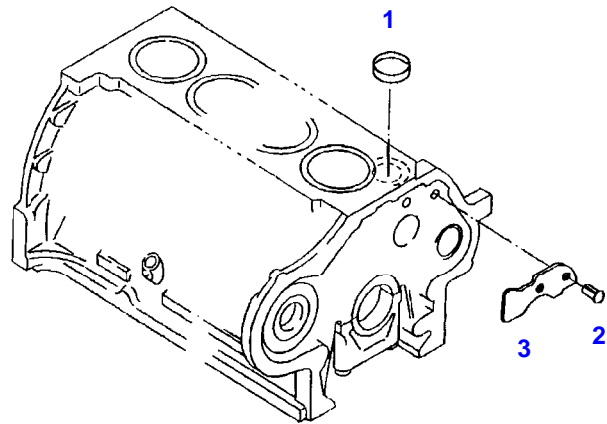
F221105

CRANKCASE

Page01-0003

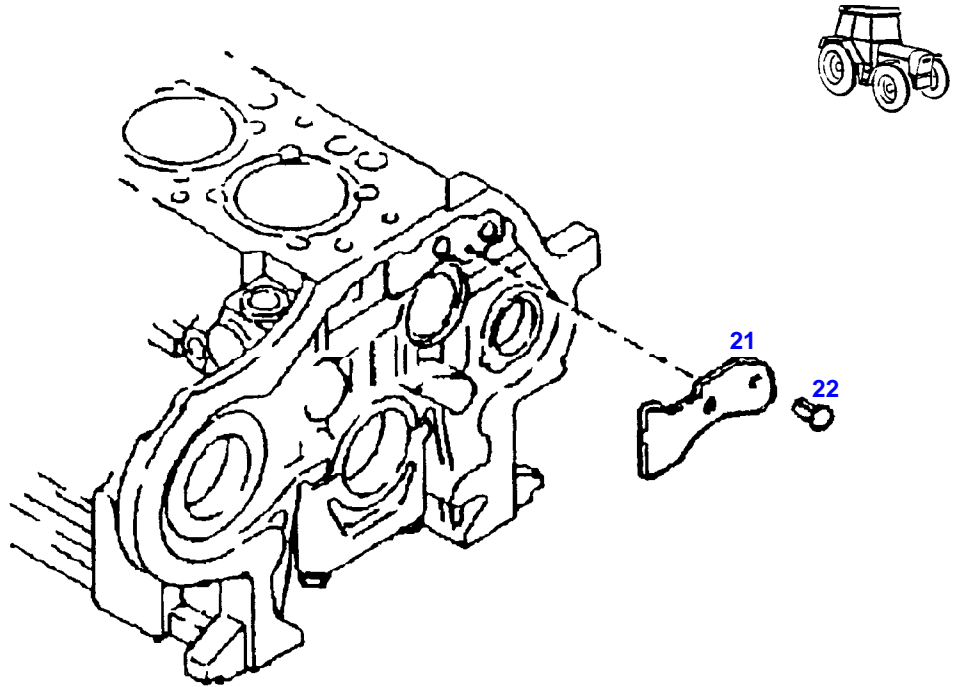
---

Item	Part Number	Qty	Description Comments
			<b>NOZZLE</b>
1	72324217	4	SPRAY NOZZLE >< 2
2	72323628	4	SEAL



040097

Item	Part Number	Qty	Description Comments	Technical Specification
			LOCKING PLUG <-- 221/0101 --> 221/0200 <-- 221/1001 --> 221/2010	
1	72323653	1	CORE HOLE PLUG	
2	72372707	2	SLOTTED PIN	DIN 1476-6X10-ST
3	72344345	1	BAFFLE	



12459

---

Fendt

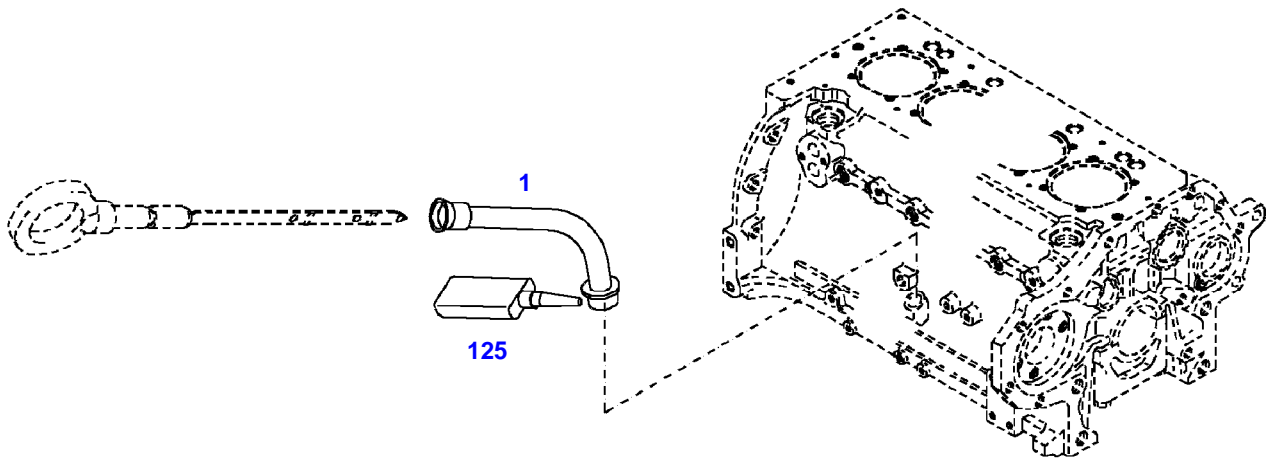
FENDT 208P NA (221/00101-99999)

F221105

CRANKCASE

Page01-0005

Item	Part Number	Qty	Description Comments	Technical Specification
			BLANKING PARTS <-- 221/2011	
21	72344345	1	BAFFLE	
22	72372707	2	SLOTTED PIN	DIN 1476-6X10-ST



033512

---

Fendt

FENDT 208P NA (221/00101-99999)

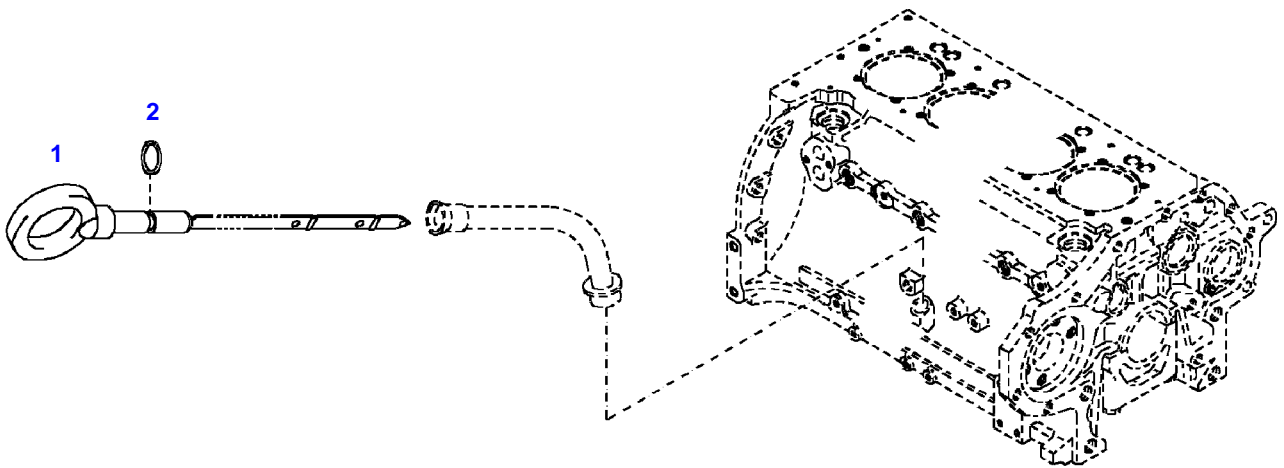
F221105

OIL DIPSTICK

Page01-0006

---

Item	Part Number	Qty	Description Comments
			<b>GUIDE TUBE</b>
1	72428343	1	GUIDE TUBE
125	72415445	1	SAFE.LOCK AGENT



033528

---

Fendt

FENDT 208P NA (221/00101-99999)

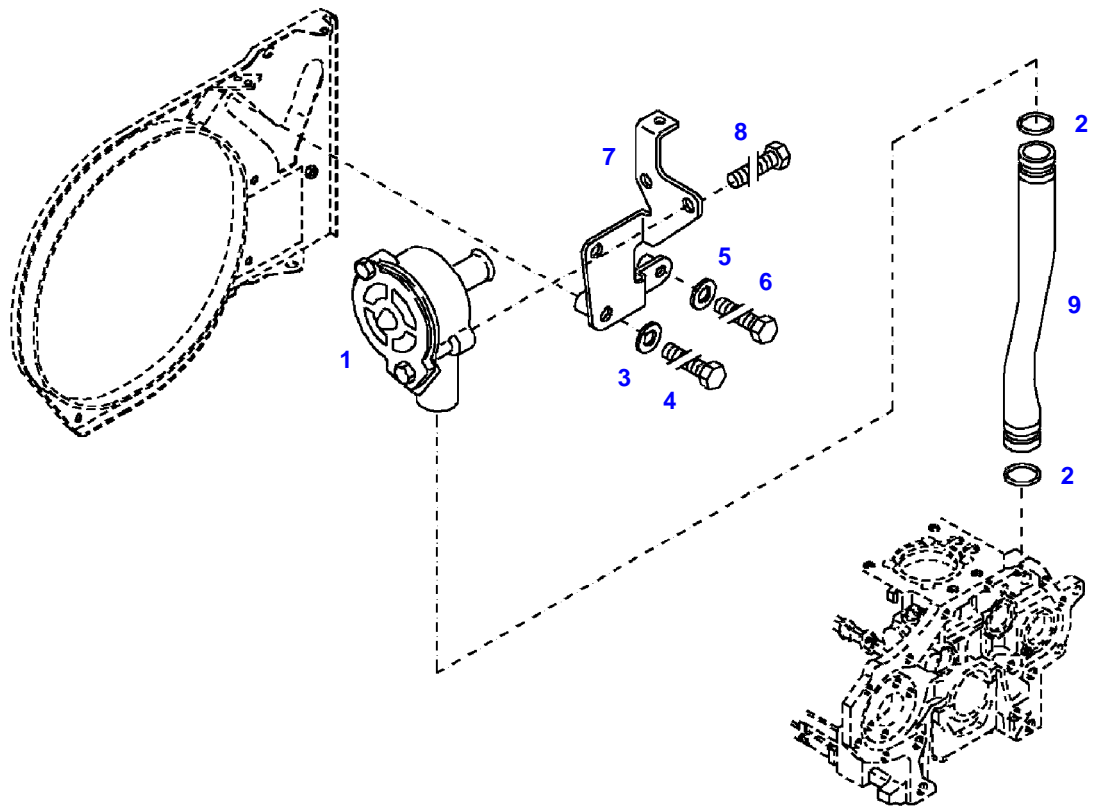
F221105

OIL DIPSTICK

Page01-0007

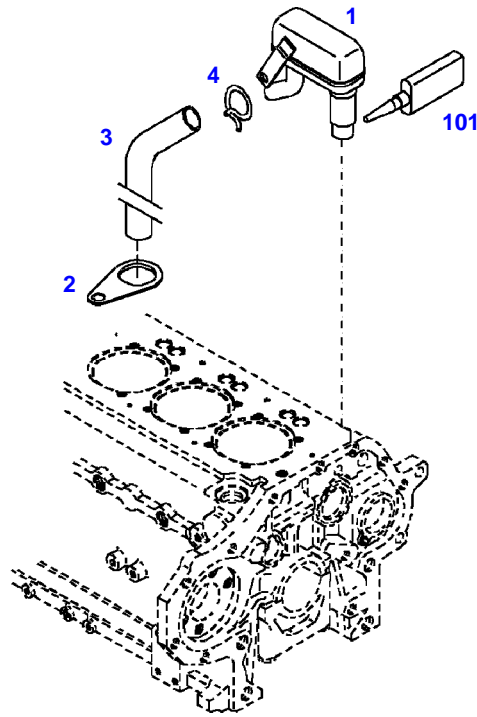
---

Item	Part Number	Qty	Description Comments
1	72451107	1	DIPSTICK ><2
2	72323559	1	PERMANENT REINFORCEMENT



033513

Item	Part Number	Qty	Description Comments	Technical Specification
			<-- 221/0101 --> 221/0200 <-- 221/1001 --> 221/2010	
1	72615403	1	BLEEDER VALVE	
2	72416005	2	SEAL 24X3MM	
3	72611358	1	DISC	
4	72427710	1	HEXAGONAL HEAD BOLT M8X35	
5	72416026	1	DISC	
6	72427711	1	HEXAGONAL HEAD BOLT M6X30	
7	72431551	1	RETAINER	
8	72315650	2	HEXAGONAL HEAD BOLT	DIN 933 M8 X 20-8.8A3L
9	72431552	1	BREATHER PIPE	



035121

---

Fendt

FENDT 208P NA (221/00101-99999)

F221105

CRANKCASE BREATHER

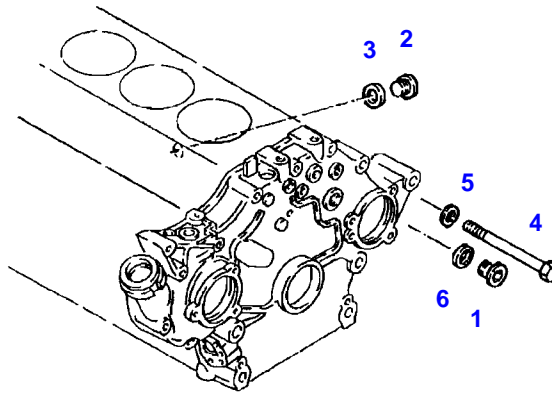
Page01-0009

---

Item	Part Number	Qty	Description Comments
			<-- 221/2011
1	72451208	1	BLEEDER VALVE
2	72426064	1	RETAINING SHEET METAL
3	72451209	1	HOSE
4	72431275	1	CLAMP
101	72431276	1	SEALING COMPOUND

FENDT 208P NA (221/00101-99999)  
40099

---

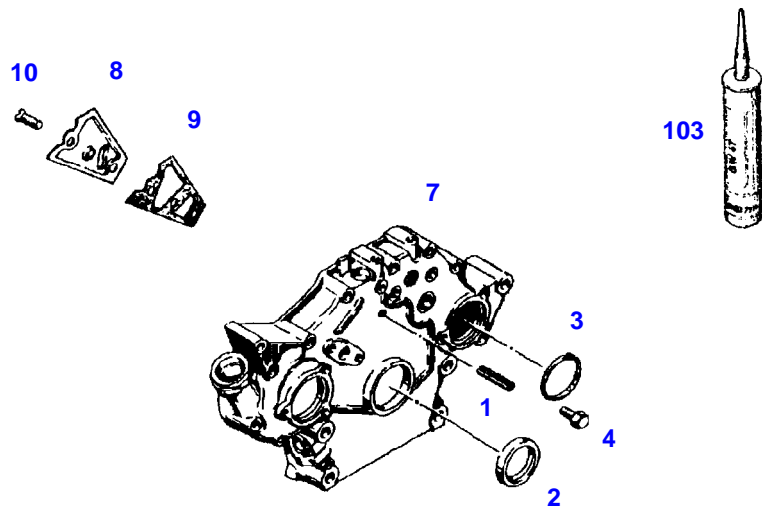


040099

Item	Part Number	Qty	Description Comments	Technical Specification
<b>BLANKING PARTS</b>				
1	72315440	1	PLUG SCREW	DIN 908 M18 X 1,5-ST
2	72427167	1	SCREW	DIN 908 M12 X 1,5-ST-A3
3	72315090	1	SEALING WASHER	DIN 7603 A12X15,5-CU
4	72315534	2	HEXAGONAL HEAD BOLT	DIN 931 M8 X 70-8.8
5	72311788	1	DISC	DIN 125-8,4-ST.A3L
6	72315100	1	SEALING WASHER	DIN 7603 A18X24-CU

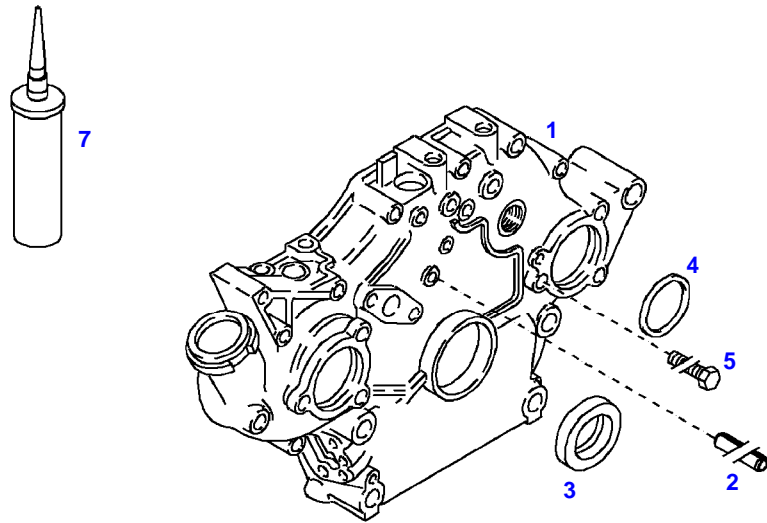
FENDT 208P NA (221/00101-99999)  
40155

---



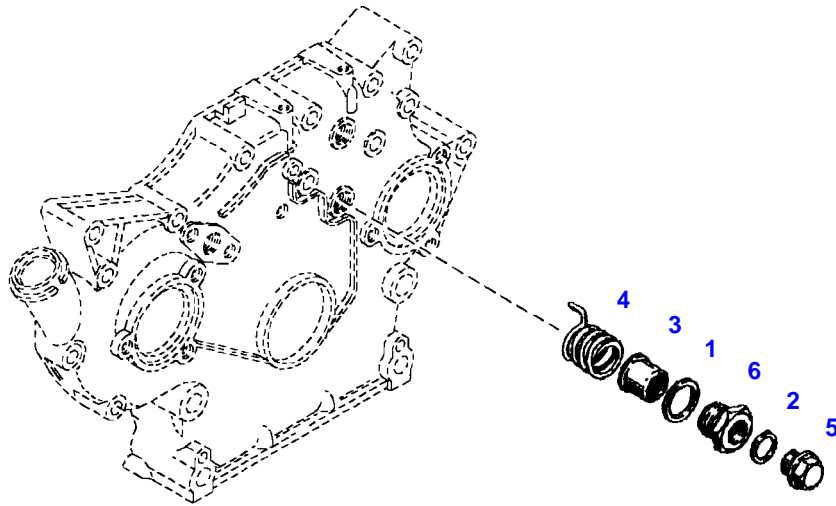
040155

Item	Part Number	Qty	Description Comments	Technical Specification
			<-- 221/0101 --> 221/0200 <-- 221/1001 --> 221/2010	
1	72375153	1	TENSIONING PIN	ISO8752-6X45-A-ST-ZNPHR10F-KOE
2	72317651	1	SHAFT SEAL	
3	72323566	1	PERMANENT REINFORCEMENT	
4	72374417	1	HEXAGONAL HEAD BOLT	DIN 933 M8X8-8.8
7	72431553	1	CRANKCASE END COVER	
8	72416037	1	COVER PANEL	
9	72416038	1	SEAL	
10	72418423	3	THREAD-CUTTING TAPPING SCREW	DIN 7513-FE M6X16-ST
103	72311273	1	SEALING COMPOUND	TEROST-63S



035122

Item	Part Number	Qty	Description Comments	Technical Specification
			<-- 221/2011	
1	72323843	1	COVER	
2	72375153	1	TENSIONING PIN	ISO8752-6X45-A-ST-ZNPHR10F-KOE
3	72317651	1	SHAFT SEAL	
4	72323566	1	PERMANENT REINFORCEMENT	
5	72374417	1	HEXAGONAL HEAD BOLT	DIN 933 M8X8-8.8
7	72311273	1	SEALING COMPOUND	TEROST-63S

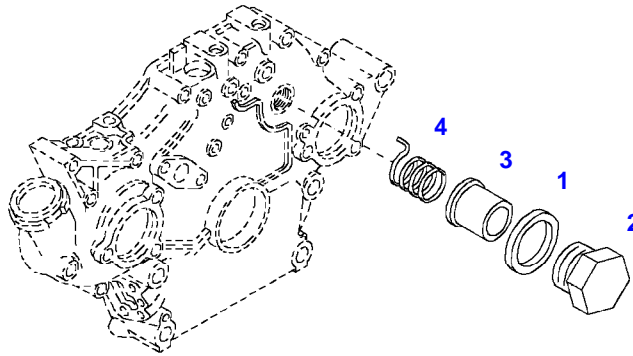


040107

Item	Part Number	Qty	Description Comments	Technical Specification
			<b>BLANKING PARTS</b>	
			<b>ENGINE NUMBER</b>	
			--> 8674078	
1	72376036	1	SEALING WASHER	DIN7603 A24X30-ALU
2	72315099	1	SEALING WASHER	DIN 7603 A18X22-CU
3	72323827	1	START-UP CAP	
4	72324159	1	COMPRESSION SPRING	
5	72315801	1	SCREW	DIN 7604-AM18 X 1,5-ST A3L
6	72324020	1	SCREW	

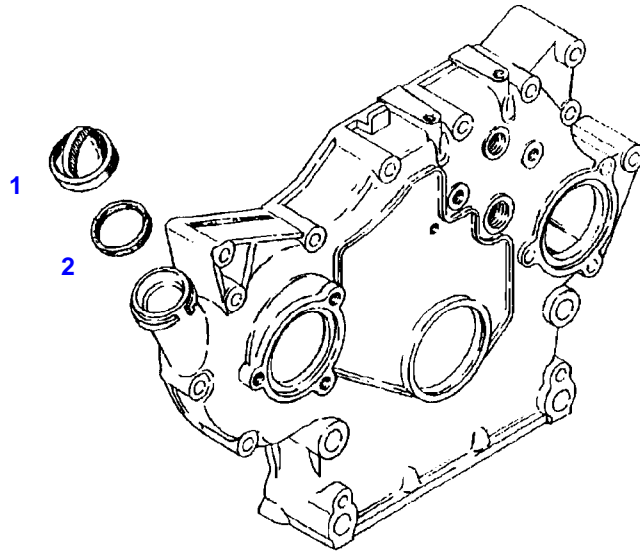
FENDT 208P NA (221/00101-99999)  
40416

---



040416

Item	Part Number	Qty	Description Comments	Technical Specification
			<b>BLANKING PARTS</b> <b>ENGINE NUMBER</b> <b>&lt;-- 8674079</b>	
1	72376036	1	SEALING WASHER	DIN7603 A24X30-ALU
2	72323829	1	SCREW	
3	72323827	1	START-UP CAP	
4	72324159	1	COMPRESSION SPRING	



040104

---

Fendt

FENDT 208P NA (221/00101-99999)

F221105

FRONT COVER

Page01-0015

---

Item	Part Number	Qty	Description Comments
			LOCKING
1	72323709	1	COVER ><2
2	72323708	1	SEALING WASHER



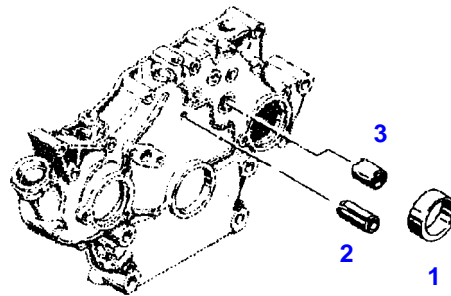
**Suggest:**

**For more complete manuals. Please go to the home page.**

**<https://www.ebooklibonline.com>**

**If the above button click is invalid. Please download this document first, and then click the above link to download the complete manual.**

**Thank you so much for reading**



040105

Item	Part Number	Qty	Description Comments	Technical Specification
			CLAMPING PARTS ENGINE NUMBER --> 8701893	
1	72323976	1	RING	
2	72313818	1	TENSIONING PIN	ISO8752-6X20-A-ST-ZNPHR10F-KOE
3	72324243	1	DRIVER	

**<https://www.ebooklibonline.com>**

Hello dear friend!

Thank you very much for reading.

Enter the link into your browser.

The full manual is available for immediate download.

**<https://www.ebooklibonline.com>**