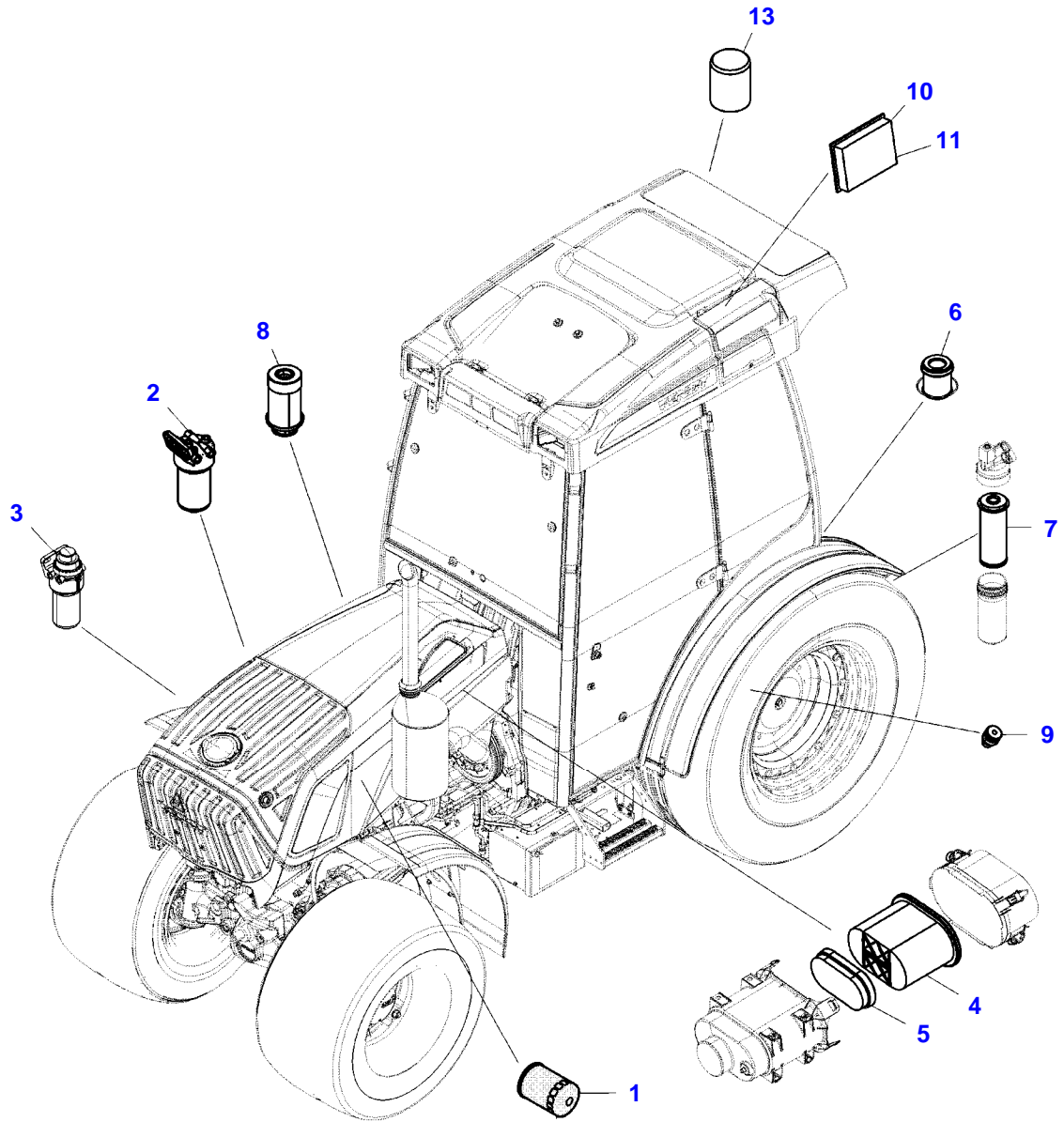


| Page Number | Page Title | Page Reference |
|--------------------|-------------------------------------|-----------------------|
| 01-000-TOC | ENGINE, FUEL AND EXHAUST SYSTEM | 01-000-TOC |
| 02-000-TOC | AXLES | 02-000-TOC |
| 03-000-TOC | STEERING SYSTEM | 03-000-TOC |
| 04-000-TOC | DRIVE TRAIN SYSTEM | 04-000-TOC |
| 05-000-TOC | COMPRESSED AIR SYSTEM | 05-000-TOC |
| 06-000-TOC | HYDRAULIC SYSTEM | 06-000-TOC |
| 07-000-TOC | ELECTRICAL SYSTEM | 07-000-TOC |
| 08-000-TOC | CAB | 08-000-TOC |
| 09-000-TOC | AIR CONDITIONING AND HEATING SYSTEM | 09-000-TOC |
| 10-000-TOC | CHASSIS | 10-000-TOC |
| 11-000-TOC | WHEELS | 11-000-TOC |
| 12-000-TOC | IMPLEMENT LIFT SYSTEM FRONT | 12-000-TOC |
| 13-000-TOC | IMPLEMENT LIFT SYSTEM REAR | 13-000-TOC |
| 14-000-TOC | LINKAGE | 14-000-TOC |
| 15-000-TOC | ACCESSORIES | 15-000-TOC |

| Page Number | Page Title | Page Reference |
|-------------|--|----------------|
| 01-0001 | FILTERS - OVERVIEW | 2216887 |
| 01-0002 | ENGINE ASSEMBLIES | 2210490 |
| 01-0003 | ENGINE - RETAINER | 2219287 |
| 01-0004 | CYLINDER BLOCK | 2210499 |
| 01-0005 | TIMING GEARS AND HOUSING | 2211025 |
| 01-0006 | FLYWHEEL AND FLYWHEEL HOUSING | 2211109 |
| 01-0007 | CRANKSHAFT AND PISTONS | 2211111 |
| 01-0008 | CAMSHAFT AND VALVE MECHANISM | 2211113 |
| 01-0009 | CYLINDER HEAD | 2211161 |
| 01-0010 | VALVE ROCKER COVER | 2211287 |
| 01-0011 | INTAKE MANIFOLD | 2211619 |
| 01-0012 | TURBOCHARGER AND EXHAUST MANIFOLD | 2215178 |
| 01-0013 | EXHAUST GAS RECIRCULATION (EGR) | 2215348 |
| 01-0014 | OIL PUMP AND SUMP | 2215349 |
| 01-0015 | OIL COOLER AND FILTER | 2215352 |
| 01-0016 | CLOSED CRANKCASE VENTILATION (CCV) | 2215412 |
| 01-0017 | COOLANT PUMP AND THERMOSTAT | 2215455 |
| 01-0018 | FUEL INJECTION SYSTEM | 2215531 |
| 01-0019 | FUEL FILTERS | 2216167 |
| 01-0020 | ELECTRONIC ENGINE MANAGEMENT | 2216543 |
| 01-0021 | ALTERNATOR | 2216544 |
| 01-0022 | STARTER MOTOR | 2216545 |
| 01-0023 | ENGINE OVERHAUL PARTS | 2216560 |
| 01-0024 | SPECIAL OVERHAUL PARTS | 2327198 |
| 01-0025 | AIR CLEANER | 2218216 |
| 01-0026 | WATER COOLED RADIATOR | 2217031 |
| 01-0027 | EXPANSION TANK | 2217032 |
| 01-0028 | BOOST INTERCOOLING | 2218549 |
| 01-0029 | FUEL TANK | 2218108 |
| 01-0030 | FUEL LINES | 2218109 |
| 01-0031 | EXHAUST - EXHAUST AFTER-TREATMENT LOWER | 2218459 |
| 01-0032 | EXHAUST - EXHAUST AFTER-TREATMENT TOP | 2218460 |
| 01-0033 | VISCO FAN | 2216897 |
| 01-0034 | VISCO FAN - REVERSIBLE FAN | 2216898 |
| 01-0035 | VALVE BLOCK ASSEMBLY - REVERSIBLE FAN | 2256139 |
| 01-0036 | SPEED CONTROL FOOT OPERATION | 2218920 |
| 01-0037 | SPEED CONTROL MANUAL OPERATION | 2218900 |
| 01-0038 | ENGINE PRE-HEATER | 2218943 |

FENDT 208F VARIO S3 (WAM240XXX00F00101-99999)
18067842-M-1



18067842-M-1

<https://www.ebooklibonline.com>

Hello dear friend!

Thank you very much for reading.

Enter the link into your browser.

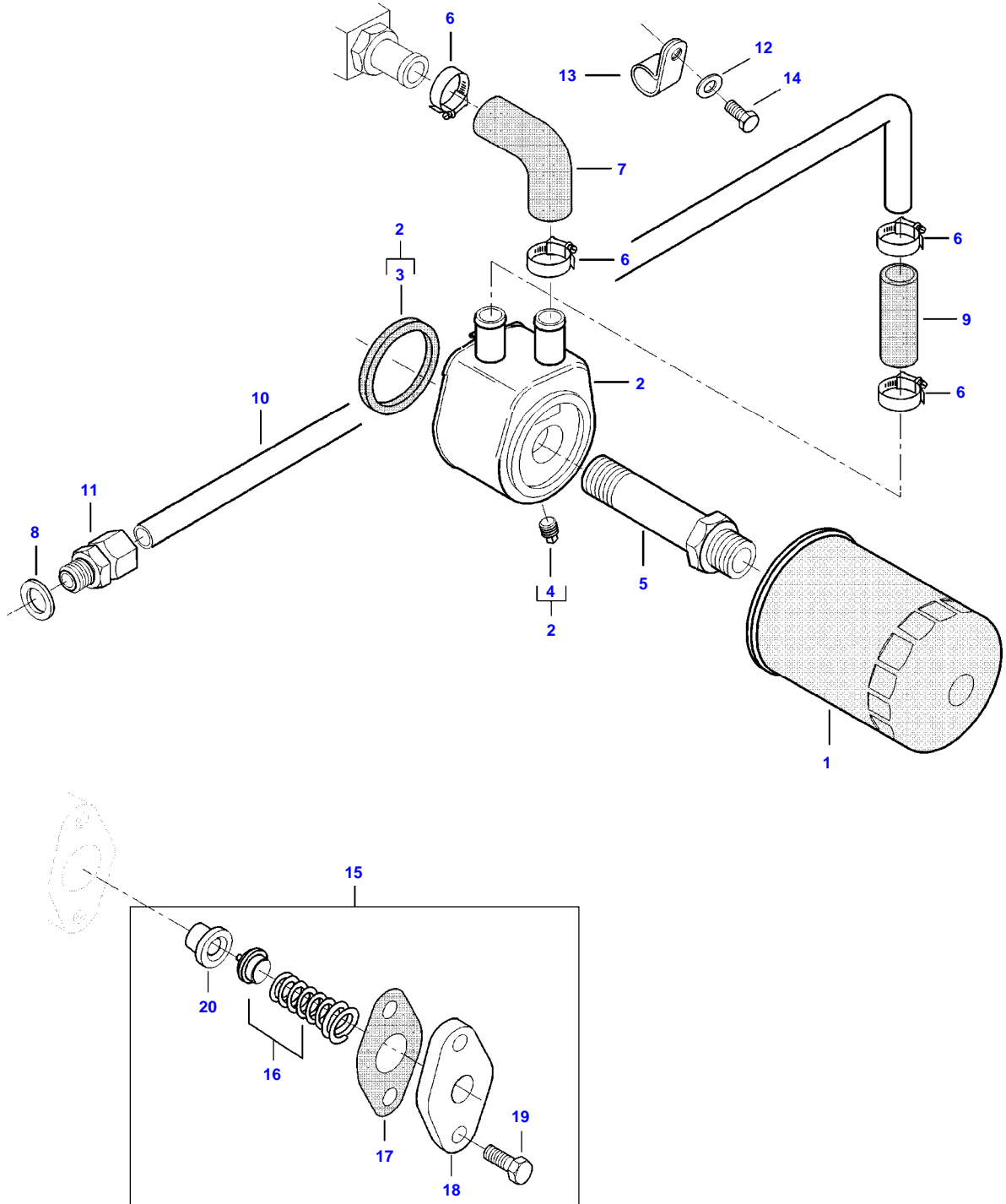
The full manual is available for immediate download.

<https://www.ebooklibonline.com>

| Item | Part Number | Qty | Description Comments |
|------|-------------|-----|--|
| 1 | V836479591 | 1 | ENGINE OIL FILTER SEE PAGE 01-0015 |
| 2 | V837086099 | 1 | MAIN FUEL FILTER SEE PAGE 01-0019 |
| 3 | V837086172 | 1 | FUEL PREFILTER SEE PAGE 01-0019 |
| 4 | 72474352 | 1 | FILTER CARTRIDGE SEE PAGE 01-0025 |
| 5 | 72474353 | 1 | SAFETY CARTRIDGE SEE PAGE 01-0025 |
| 6 | 72474644 | 1 | SUCTION FILTER TRANSMISSION SEE PAGE 04-0029 |
| 7 | 72311028 | 1 | FILTER ELEMENT TRANSMISSION OIL PRESSURE SEE PAGE 04-0034 |
| 8 | 72436468 | 1 | OIL FILTER ELEMENT OIL TANK SEE PAGE 13-0007 |
| 9 | 72474412 | 1 | VENTILATION FILTER OIL TANK SEE PAGE 13-0006 |
| 10 | 72477670 | 1 | FILTER FRESH AIR |
| 11 | 72481531 | 1 | FILTER ACTIVE COAL FILTER |
| 13 | 72437515 | 1 | CARTRIDGE JET AIR DRIER |

FENDT 208F VARIO S3 (WAM240XXX00F00101-99999)
AP14A2426

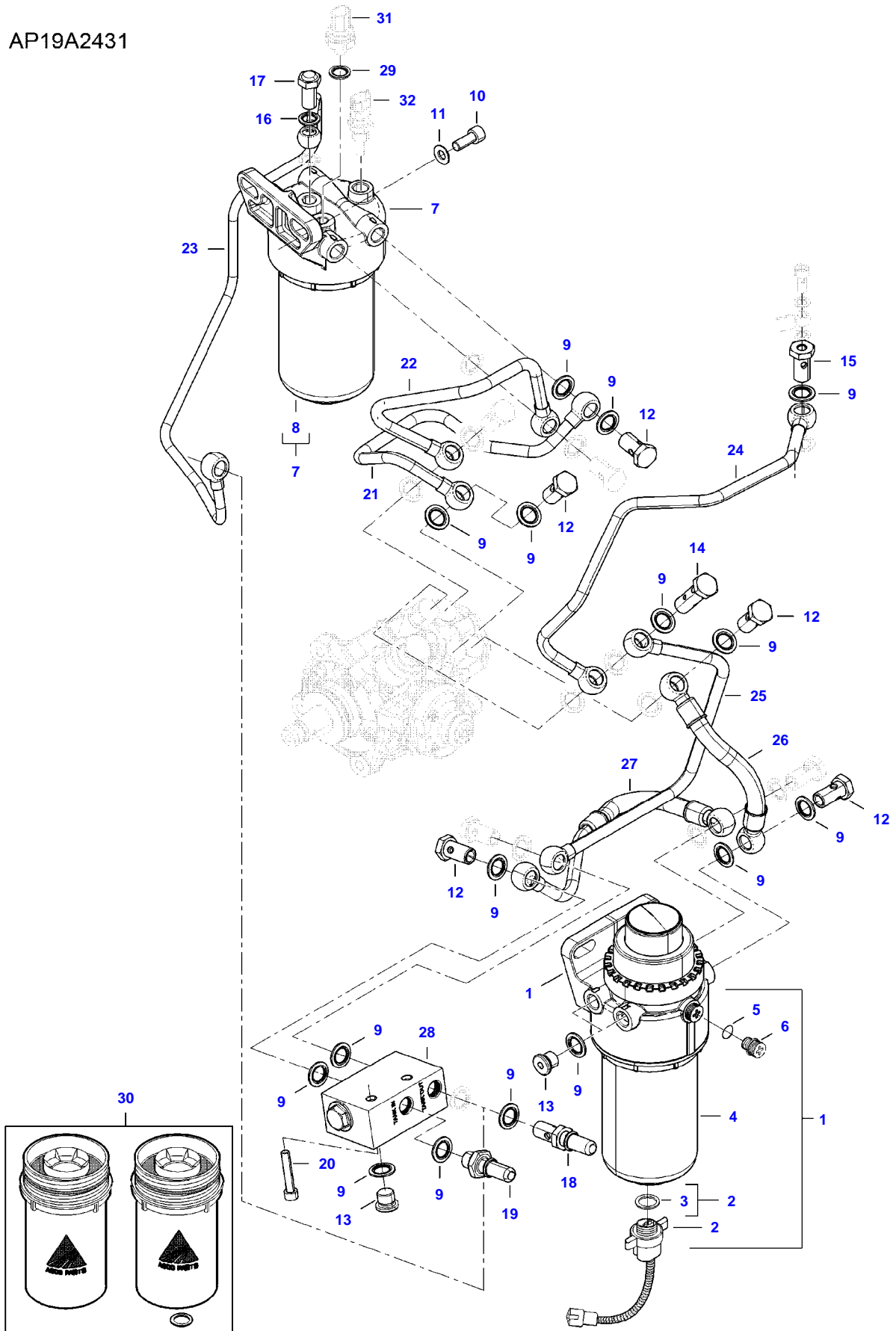
AP14A2426



| Item | Part Number | Qty | Description Comments |
|------|-------------|-----|---|
| 1 | V836479591 | 1 | ENGINE OIL FILTER |
| 2 | V836859699 | 1 | OIL COOLER |
| 3 | V836862235 | 1 | SEAL (2) |
| 4 | V640004004 | 1 | PLUG (2) |
| 5 | V836859700 | 1 | UNION |
| 6 | V602079516 | 4 | HOSE CLIP |
| 7 | V836859899 | 1 | RUBBER ELBOW |
| 8 | V615881822 | 1 | SEALING WASHER [B] |
| 9 | V836673590 | 1 | RUBBER HOSE |
| 10 | V836673588 | 1 | PIPE |
| 11 | V641086015 | 1 | STRAIGHT FITTING |
| 12 | V500050642 | 1 | WASHER |
| 13 | V602074615 | 1 | RETAINER CLAMP |
| 14 | V528801062 | 1 | HEX CAP SCREW |
| 15 | V837091147 | 1 | OIL PRESSURE CONTROL VALVE |
| 16 | | 1 | NOT AVAILABLE AS SINGLE PART (15) |
| 17 | V836322190 | 1 | GASKET (15) [B] |
| 18 | V837074289 | 1 | COVER (15) |
| 19 | V528801382 | 2 | HEX CAP SCREW (15) |
| 20 | | 1 | NOT AVAILABLE AS SINGLE PART (15) [B] INCLUDED IN COMPLETE ENGINE GASKET KIT 2 |

FENDT 208F VARIO S3 (WAM240XXX00F00101-99999)
AP19A2431

AP19A2431

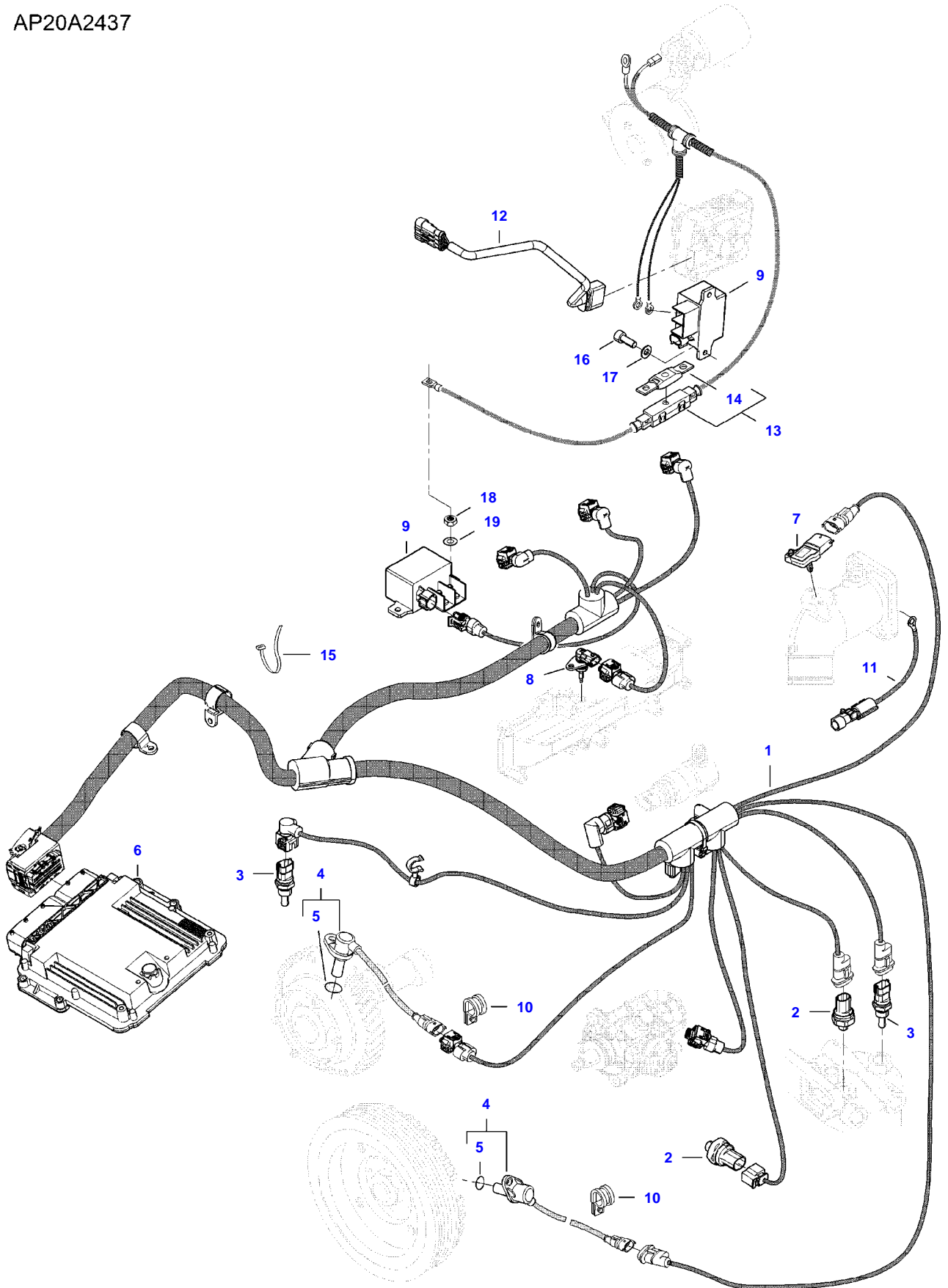


FUEL FILTERS

| Item | Part Number | Qty | Description Comments |
|------|-------------|-----|--|
| 1 | V837086172 | 1 | FUEL PREFILTER |
| 2 | V837074054 | 1 | FUEL FILTER WATER ALARM (1) |
| 3 | V837091271 | 1 | SEAL (1),(2),(30) |
| 4 | | 1 | NOT AVAILABLE AS SINGLE PART (1),(30) |
| 5 | V837079628 | 1 | O-RING (1) |
| 6 | V837079627 | 1 | BLEED SCREW (1) |
| 7 | V837086099 | 1 | MAIN FUEL FILTER |
| 8 | | 1 | NOT AVAILABLE AS SINGLE PART (7),(30) |
| 9 | V836684770 | 29 | SEALING WASHER [A] |
| 10 | V581805022 | 4 | HEX SOCKET SCREW |
| 11 | V500151052 | 4 | WASHER |
| 12 | V640435010 | 9 | BANJO BOLT |
| 13 | V640325014 | 3 | PLUG |
| 14 | V640425010 | 1 | DUAL BANJO BOLT |
| 15 | V836007420 | 1 | BANJO BOLT |
| 16 | V836684769 | 2 | SEALING WASHER [A] |
| 17 | V837074134 | 1 | BANJO BOLT |
| 18 | V837074191 | 1 | QUICK COUPLER |
| 19 | V837086171 | 1 | QUICK COUPLER |
| 20 | V529801442 | 2 | HEX CAP SCREW |
| 21 | V837074725 | 1 | FUEL PIPE |
| 22 | V837074724 | 1 | FUEL PIPE |
| 23 | V837086181 | 1 | FUEL PIPE |
| 24 | V837086348 | 1 | FUEL PIPE |
| 25 | V837086178 | 1 | FUEL PIPE |
| 26 | V837086179 | 1 | FUEL HOSE |
| 27 | V837086180 | 1 | FUEL HOSE |
| 28 | V837086013 | 1 | FLOW CONTROL VALVE |
| 29 | V615871016 | 1 | SEALING WASHER [A] |
| 30 | V837091129 | 1 | FUEL FILTER KIT |
| 31 | | 1 | SEE PAGE 01-0020 |
| 32 | | 1 | SEE PAGE 01-0020 [A] INCLUDED IN CYLINDER HEAD GASKET KIT 1 |

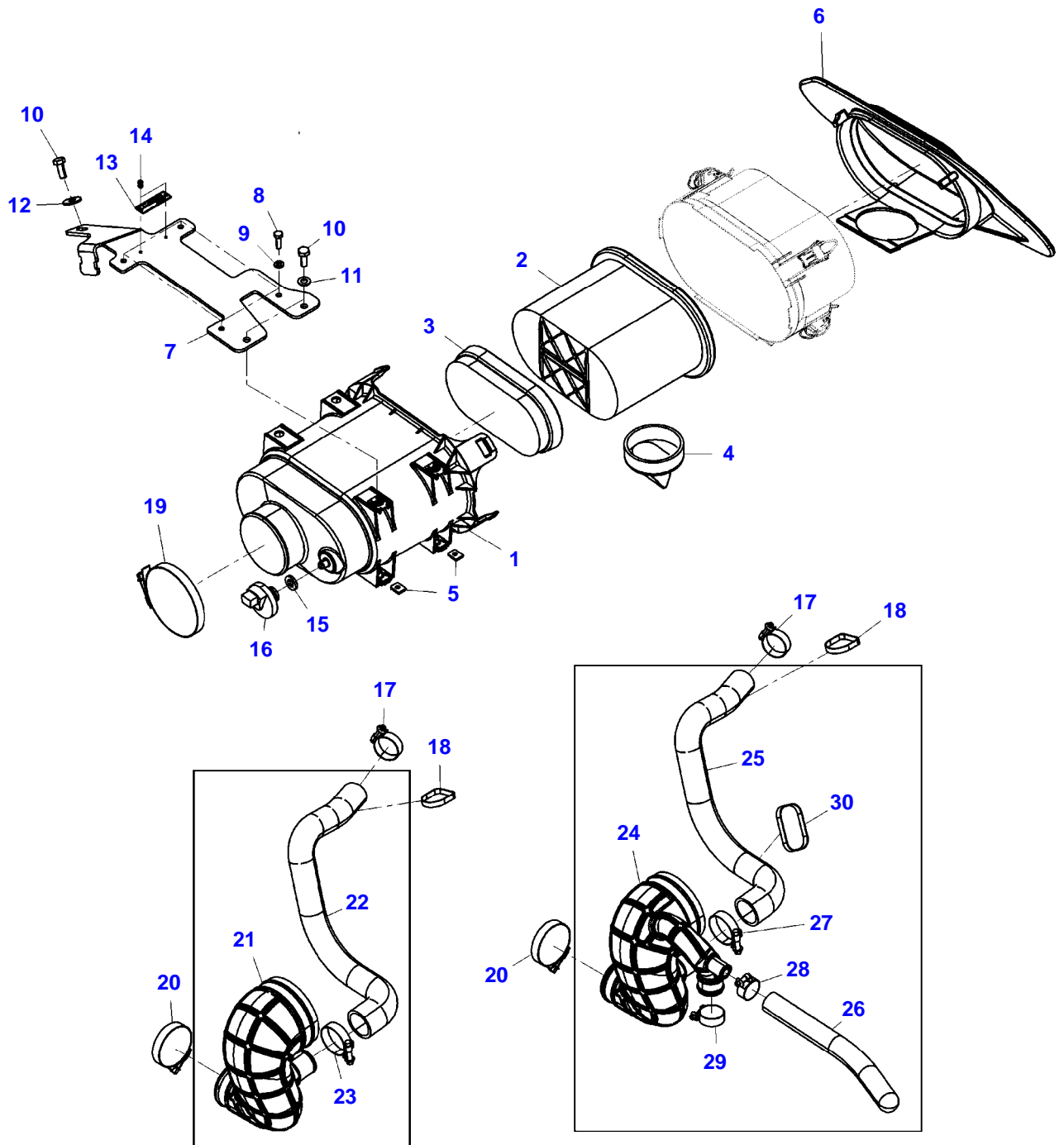
FENDT 208F VARIO S3 (WAM240XXX00F00101-99999)
AP20A2437

AP20A2437



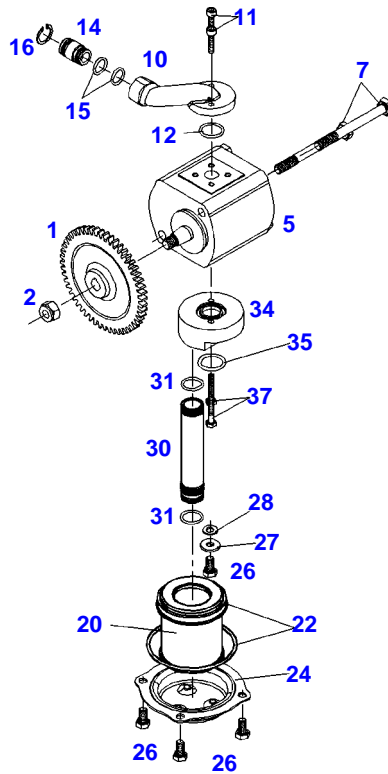
| Item | Part Number | Qty | Description Comments |
|------|-------------|-----|-------------------------|
| 1 | V837086121 | 1 | ENGINE WIRE HARNESS |
| 2 | V837070201 | 2 | PRESSURE SENSOR |
| 3 | V836667732 | 2 | TEMPERATURE SENSOR |
| 4 | V837070189 | 2 | SPEED SENSOR |
| 5 | V614601718 | 2 | O-RING (4) |
| 6 | V837073357 | 1 | ENGINE CONTROL UNIT |
| 7 | V837073934 | 1 | BOOST PRESSURE SENSOR |
| 8 | V837074507 | 1 | TEMPERATURE SENSOR |
| 9 | V837069047 | 2 | RELAY |
| 10 | V602060610 | 2 | RETAINER CLAMP |
| 11 | V837073594 | 1 | WIRE |
| 12 | V837073595 | 1 | WIRE |
| 13 | V837073596 | 1 | WIRE |
| 14 | V836662501 | 1 | FUSE (13) |
| 15 | V651754720 | 10 | CABLE TIE |
| 16 | V581804182 | 2 | HEX SOCKET SCREW |
| 17 | V500150642 | 2 | WASHER |
| 18 | V504600602 | 2 | NUT |
| 19 | V500050642 | 2 | WASHER |

FENDT 208F VARIO S3 (WAM240XXX00F00101-99999)
18114946-M-1



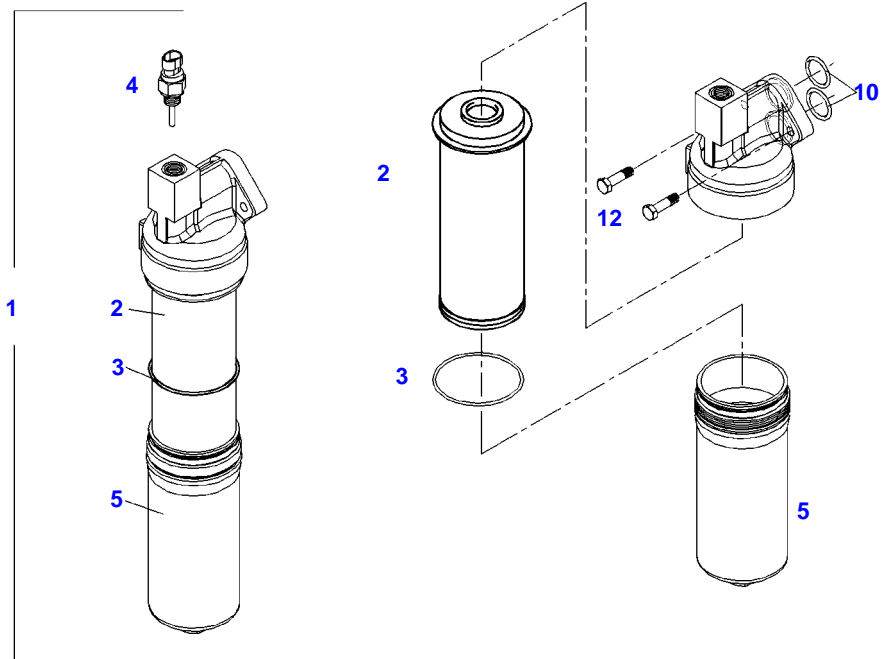
18114946-M-1

| Item | Part Number | Qty | Description Comments | Technical Specification |
|------|-------------|-----|---|-------------------------|
| 1 | 72441307 | 1 | AIR FILTER INCLUDES ITEMS 2-5 | |
| 2 | 72474352 | 1 | FILTER CARTRIDGE | |
| 3 | 72474353 | 1 | SAFETY CARTRIDGE | |
| 4 | 72441351 | 1 | DUST DISCHARGE VALVE | |
| 5 | 72474602 | 4 | U-CLAMP | |
| 6 | 72629003 | 1 | AIR DUCT | |
| 7 | 72628818 | 1 | HOLDER | |
| 8 | 72315631 | 4 | HEXAGONAL HEAD BOLT | DIN 933 M6 X 20-8.8A3L |
| 9 | 72311787 | 4 | DISC | DIN 125-6,4-ST.A3L |
| 10 | 72315650 | 3 | HEXAGONAL HEAD BOLT | DIN 933 M8 X 20-8.8A3L |
| 11 | 72311788 | 2 | DISC | DIN 125-8,4-ST.A3L |
| 12 | 72311824 | 1 | DISC | DIN9021-8,4-140HV-A3L |
| 13 | 72628761 | 1 | IDENTIFICATION PLATE | |
| 14 | 72315252 | 2 | POP RIVET | 3X8 |
| 15 | 72311896 | 1 | FRICTION WASHER | |
| 16 | 72379889 | 1 | MAINTENANCE SWITCH | |
| 17 | 72311168 | 1 | HOSE CLIP | |
| 18 | 72316913 | 1 | CABLE STRAP | FWN 66650 B360X7,5-SW |
| 19 | 72311172 | 1 | HOSE CLIP | |
| 20 | 72311163 | 1 | HOSE CLIP | |
| 21 | 72629020 | 1 | AIR INTAKE HOSE WITHOUT BRAKIN SYSTEM | |
| 22 | 72629100 | 1 | HOSE WITHOUT BRAKIN SYSTEM | |
| 23 | 72311162 | 1 | HOSE CLIP WITHOUT BRAKIN SYSTEM | |
| 24 | 72629021 | 1 | AIR INTAKE HOSE WITH AIR BRAKING EQUIPMENT | |
| 25 | 72629100 | 1 | HOSE WITH AIR BRAKING EQUIPMENT | |
| 26 | 72629101 | 1 | HOSE WITH AIR BRAKING EQUIPMENT | |
| 27 | 72311162 | 1 | HOSE CLIP WITH AIR BRAKING EQUIPMENT | |
| 28 | 72311167 | 1 | HOSE CLIP WITH AIR BRAKING EQUIPMENT | |
| 29 | 72311167 | 1 | HOSE CLIP WITH AIR BRAKING EQUIPMENT | |
| 30 | 72316913 | 1 | CABLE STRAP WITH AIR BRAKING EQUIPMENT | FWN 66650 B360X7,5-SW |



037111

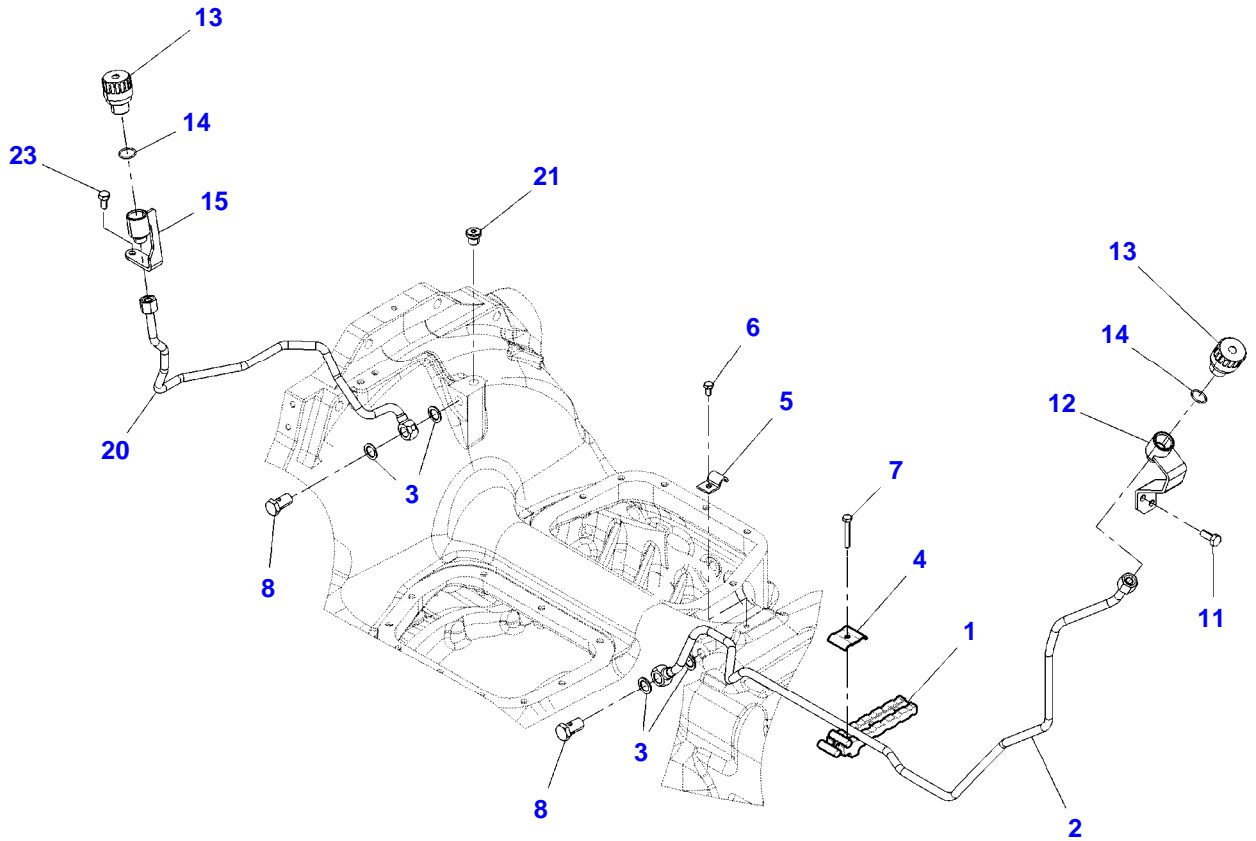
| Item | Part Number | Qty | Description Comments | Technical Specification |
|------|-------------|-----|--|--------------------------|
| | | | GEAR BOX LUBRICATION SUCTION FILTER | |
| 1 | 72441046 | 1 | SPUR GEAR NUMBER OF TEETH/SPINES 52 | |
| 2 | 72313326 | 1 | NUT | DIN 980-VM12X1,5-8-A3L |
| 5 | | | SEE GEAR PUMP | |
| 7 | 72418393 | 2 | HEXAGONAL HEAD BOLT | DIN 931 M10X100 GWA-1 |
| 10 | 72441048 | 1 | COMPRESSION FLANGE | |
| 11 | 72315465 | 2 | SOCKET HEAD BOLT | DIN 912 M6X25-8.8 |
| 12 | 72313447 | 1 | O-RING | 22,3X2,4-NBR 70-FWN56402 |
| 14 | 72441047 | 1 | PIPE | |
| 15 | 72492558 | 2 | O-RING | 15,3X2,4-FPM 70 |
| 16 | 72375602 | 1 | LOCK WASHER | DIN 472-22X1 |
| 20 | 72474644 | 1 | SUCTION FILTER INCLUDES ITEMS 22 | |
| 22 | 72441052 | 1 | SEAL KIT | |
| 24 | 72441051 | 1 | COVER | |
| 26 | 72315642 | 4 | HEXAGONAL HEAD BOLT | DIN 933 M8 X 16-8.8A3L |
| | 72315648 | 1 | HEXAGONAL HEAD BOLT | DIN 933 M8X20-8.8 |
| 27 | 72311858 | 1 | DISC | |
| 28 | 72311788 | 1 | DISC | DIN 125-8,4-ST.A3L |
| 30 | 72441049 | 1 | AIR INTAKE PORT | |
| 31 | 72376467 | 2 | O-RING | 20,3X2,4-FPM 70 FWN56402 |
| 34 | 72441050 | 1 | ADAPTER | |
| 35 | 72313452 | 1 | O-RING | 24,2X3-FPM 70 FWN56402 |
| 37 | 72315635 | 2 | HEXAGONAL HEAD BOLT | DIN 933 M6X35-8.8A3L |



037101

| Item | Part Number | Qty | Description Comments | Technical Specification |
|------|-------------|-----|---------------------------------|-------------------------|
| | | | PRESSURE FILTER | |
| 1 | 72425778 | 1 | FILTER INCLUDES ITEMS 2-5 | |
| 2 | 72311028 | 1 | FILTER ELEMENT | |
| 3 | 72313495 | 1 | O-RING | 76X2,5-NBR 70 FWN56402 |
| 4 | | | | |
| | | | SEE ELECTRICAL SYSTEM SWITCH | |
| 5 | 72425928 | 1 | HOUSING | |
| 10 | 72313459 | 2 | O-RING | 28X3-NBR 70 FWN56402 |
| 12 | 72315655 | 2 | HEXAGONAL HEAD BOLT | DIN 933 M8X30-8.8 |

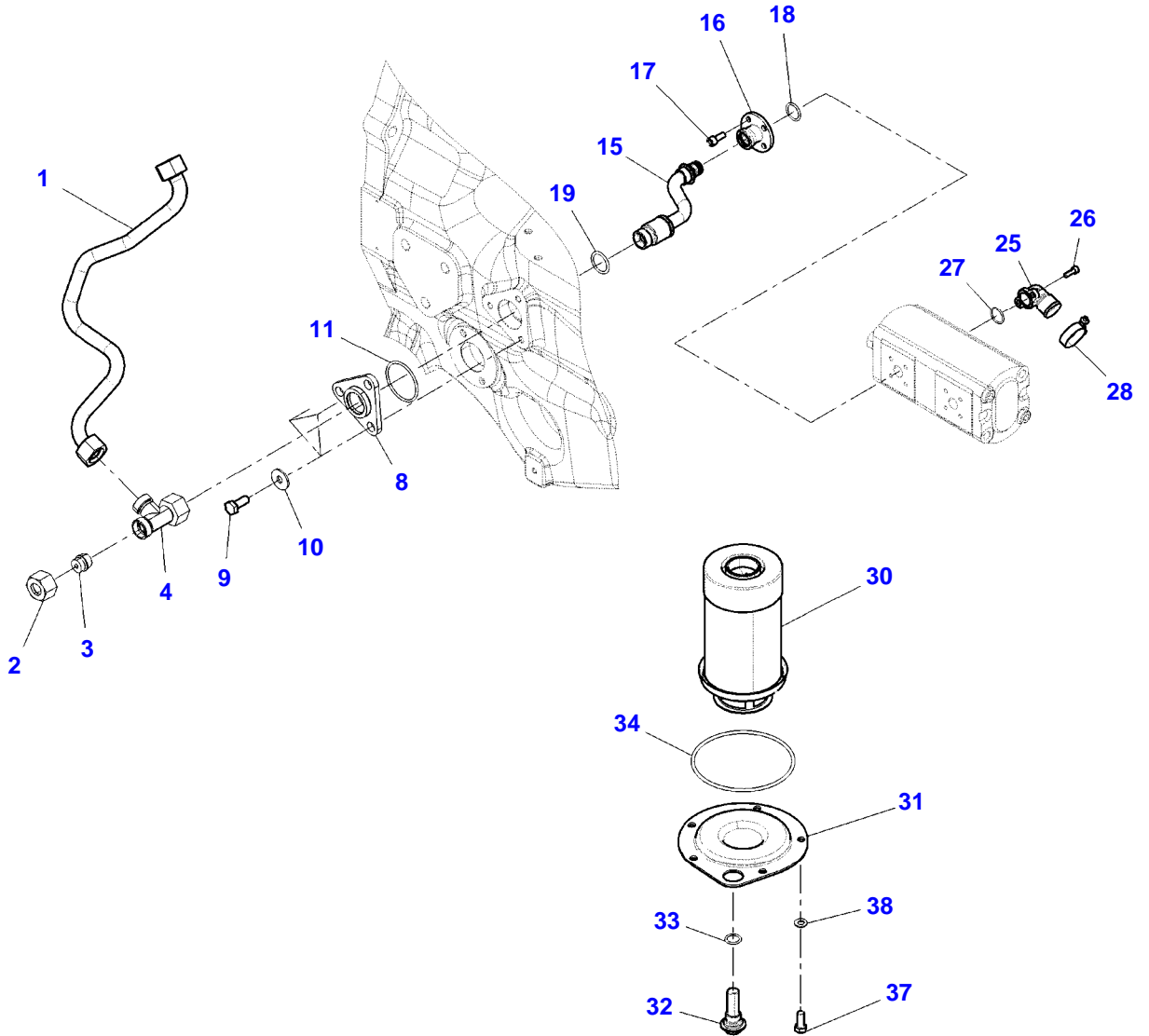
FENDT 208F VARIO S3 (WAM240XXX00F00101-99999)
17863080-M-1



17863080-M-1

| Item | Part Number | Qty | Description Comments | Technical Specification |
|------|-------------|-----|--|----------------------------|
| 1 | 72628512 | 1 | SPACER | |
| 2 | 72629028 | 1 | TUBE | |
| 3 | 72608905 | 4 | GASKETS | 14X22X1,5 |
| 4 | 72311266 | 1 | CLIP | |
| 5 | 72455432 | 1 | CLAMP | |
| 6 | 72315629 | 1 | HEXAGONAL HEAD BOLT | DIN 933 M6 X 12-8.8A3L |
| 7 | 72315636 | 1 | HEXAGONAL HEAD BOLT | DIN 933 M6X40-8.8A3L |
| 8 | 72315808 | 2 | BANJO BOLT | DIN 7643-10-3-A3L |
| 11 | 72315650 | | HEXAGONAL HEAD BOLT | DIN 933 M8 X 20-8.8A3L |
| 12 | 72628771 | 1 | HOLDER | |
| 13 | 72474412 | 2 | VENTILATION FILTER INCLUDES ITEMS 14 | |
| 14 | 72313441 | 2 | O-RING | 18,72X2,62-NBR 70 FWN56402 |
| 15 | 72628831 | 1 | HOLDER | |
| 20 | 72629027 | 1 | TUBE | |
| 21 | 72427121 | 1 | SCREW | DIN908*VSTIM14X1,5-ED-FPM |
| 23 | 72315642 | 1 | HEXAGONAL HEAD BOLT | DIN 933 M8 X 16-8.8A3L |

FENDT 208F VARIO S3 (WAM240XXX00F00101-99999)
17876367-M-1



17876367-M-1

| Item | Part Number | Qty | Description Comments | Technical Specification |
|------|-------------|-----|----------------------------------|--------------------------------|
| 1 | 72628645 | 1 | BOOST PIPE | |
| 2 | 72313367 | 1 | CONNECTING NUT | DIN3870 AL15/M22X1.5-9S20K A3L |
| 3 | 72314781 | 1 | PLUG NECK | FWN 65713-15L-A3L |
| 4 | 72438335 | 1 | ADJUSTABLE L-THREADED CONNECTION | |
| 8 | 72441579 | 1 | FLANGE | |
| 9 | 72315650 | 3 | HEXAGONAL HEAD BOLT | DIN 933 M8 X 20-8.8A3L |
| 10 | 72311824 | 3 | DISC | DIN9021-8,4-140HV-A3L |
| 11 | 72376542 | 1 | O-RING | 42X2,5-FPM 80-FWN56402 |
| 15 | 72628644 | 1 | BOOST PIPE | |
| 16 | 72475625 | 1 | COMPRESSION FLANGE | |
| 17 | 72315460 | 4 | SOCKET HEAD BOLT | DIN 912 M6X16-8.8 |
| 18 | 72313441 | 1 | O-RING | 18,72X2,62-NBR 70 FWN56402 |
| 19 | 72376476 | 1 | O-RING | 22X3-NBR 70 FWN56402 |
| 25 | 72475631 | 1 | SUCTION FLANGE | |
| 26 | 72315463 | 2 | SOCKET HEAD BOLT | DIN 912-M6X18-8.8-A3L |
| 27 | 72313447 | 1 | O-RING | 22,3X2,4-NBR 70-FWN56402 |
| 28 | 72311168 | 1 | HOSE CLIP | |
| 30 | 72436468 | 1 | OIL FILTER ELEMENT | |
| 31 | 72475637 | 1 | COVER INCLUDES ITEMS 34 | |
| 32 | 72436853 | 1 | SCREW INCLUDES ITEMS 33 | |
| 33 | 72493820 | 1 | O-RING | |
| 34 | 72474606 | 1 | O-RING | 117X4 MM |
| 37 | 72315650 | 5 | HEXAGONAL HEAD BOLT | DIN 933 M8 X 20-8.8A3L |
| 38 | 72311788 | 5 | DISC | DIN 125-8,4-ST.A3L |

FENDT 208F VARIO S3 (WAM240XXX00F00101-99999)
AP_ENGAS_3CYL

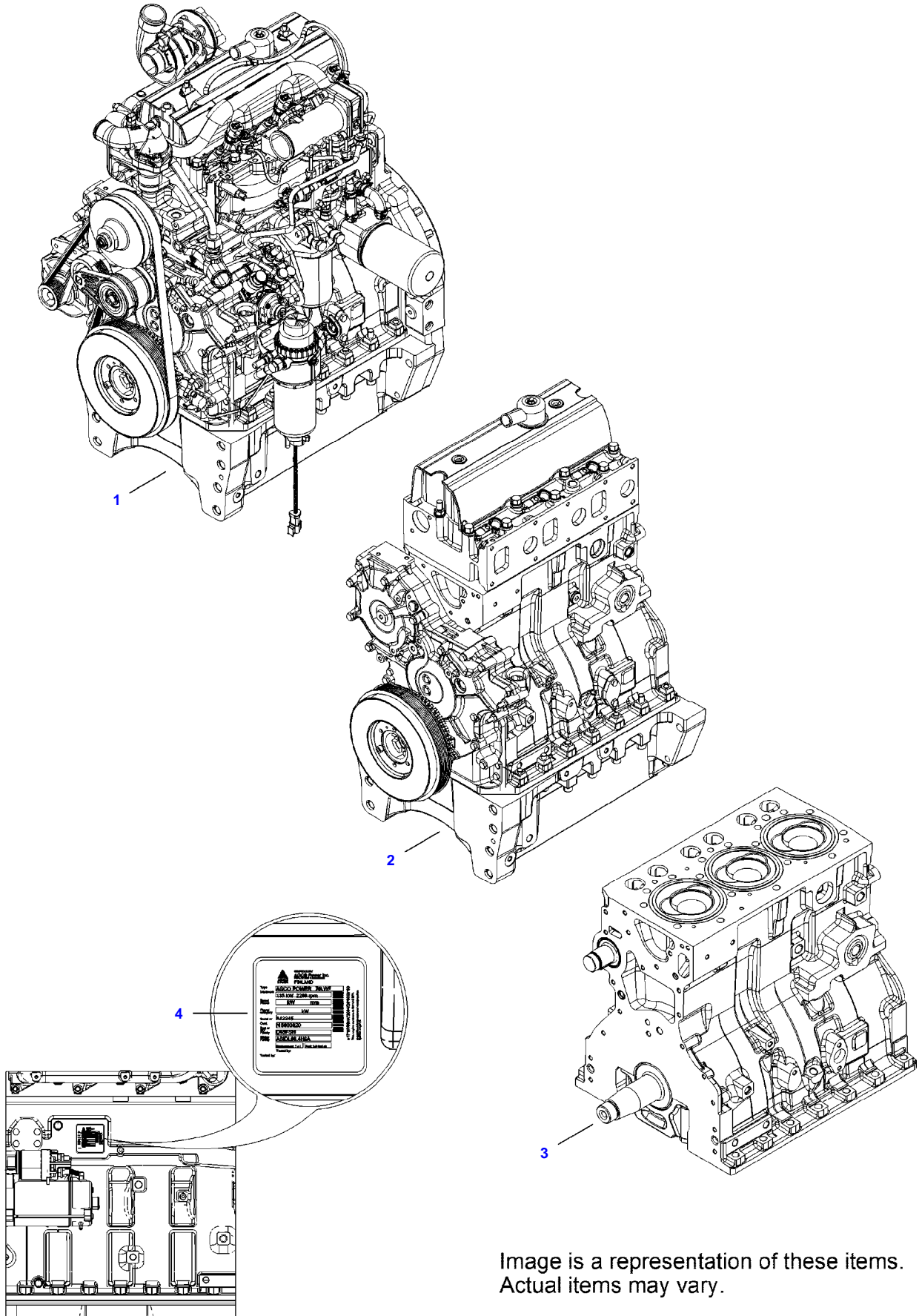
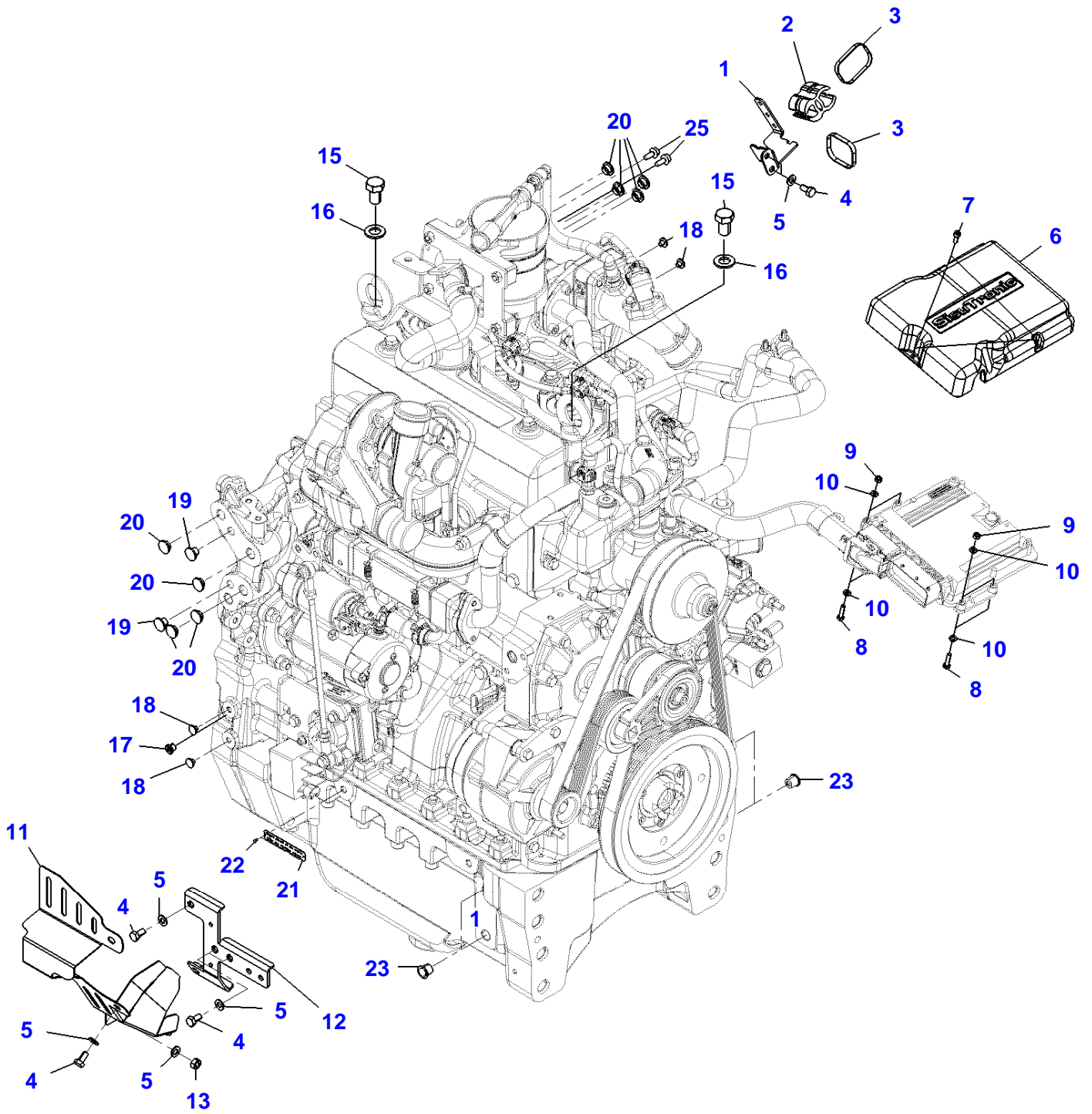


Image is a representation of these items.
Actual items may vary.

| Item | Part Number | Qty | Description Comments | Technical Specification |
|------|-------------|-----|----------------------------|-------------------------|
| 1 | V834277842 | 1 | ENGINE | 33 AWI |
| 2 | V864291641V | 1 | LONG BLOCK ENGINE | 33 AWI |
| 3 | V864291642X | 1 | SHORT BLOCK ENGINE | 33 AWI |
| 4 | V837079921 | 1 | LABEL ENGINE TYPE PLATE | |

FENDT 208F VARIO S3 (WAM240XXX00F00101-99999)
18140872-M-3

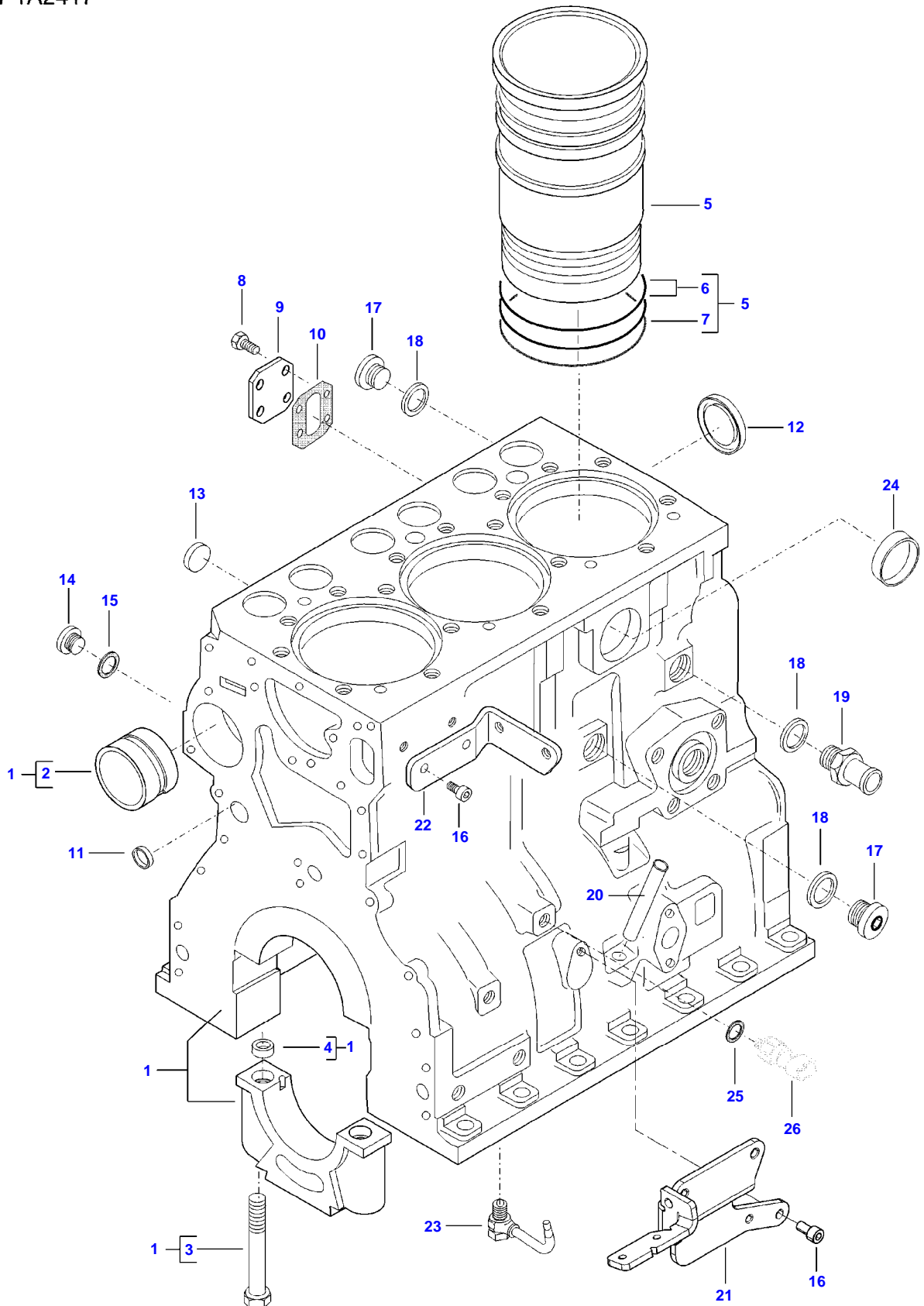


18140872-M-3

| Item | Part Number | Qty | Description Comments | Technical Specification |
|------|-------------|-----|-------------------------|---------------------------|
| 1 | 72628814 | 1 | HOLDER | |
| 2 | 72486891 | 1 | HOLDER | |
| 3 | 72316913 | 2 | CABLE STRAP | FWN 66650 B360X7,5-SW |
| 4 | 72315642 | 6 | HEXAGONAL HEAD BOLT | DIN 933 M8 X 16-8.8A3L |
| 5 | 72311788 | 7 | DISC | DIN 125-8,4-ST.A3L |
| 6 | 72605912 | 1 | COVERING | EDC |
| 7 | 72612487 | 3 | SOCKET HEAD BOLT | DIN 912 M6X16-8.8 A3L |
| 8 | 72315633 | 4 | HEXAGONAL HEAD BOLT | DIN 933 M6X25-8.8A3L |
| 9 | 72313266 | 4 | NUT | DIN 934 M6-8A3L |
| 10 | 72311787 | 8 | DISC | DIN 125-6,4-ST.A3L |
| 11 | 72609473 | 1 | COVER | RE |
| 12 | 72604736 | 1 | RETAINING SHEET METAL | RE |
| 13 | 72313268 | 1 | NUT | DIN 934 M8-8A3L |
| 15 | 72315730 | 2 | HEXAGONAL HEAD BOLT | DIN 933 M16X25-8.8A3L |
| 16 | 72311793 | 2 | DISC | DIN 125-17-ST.A3L |
| 17 | 72314744 | 1 | LOCKING PLUG | F4 |
| 18 | 72314743 | 4 | LOCKING PLUG | F2 |
| 19 | 72314765 | 2 | LOCKING PLUG | |
| 20 | 72314748 | 8 | LOCKING PLUG | SW-F11 |
| 21 | 72452403 | 1 | MARKING PLATE | |
| 22 | 72313751 | 2 | SLOTTED PIN | DIN 1476-3X5-AL |
| 23 | 72314742 | 4 | PROTECTIVE PLUG | UNIV. |
| 25 | ACW0775830 | 2 | HEXAGON FLANGE BOLT | EN1665 M8X1.25X20-8 VDA30 |

FENDT 208F VARIO S3 (WAM240XXX00F00101-99999)
AP1A2417

AP1A2417

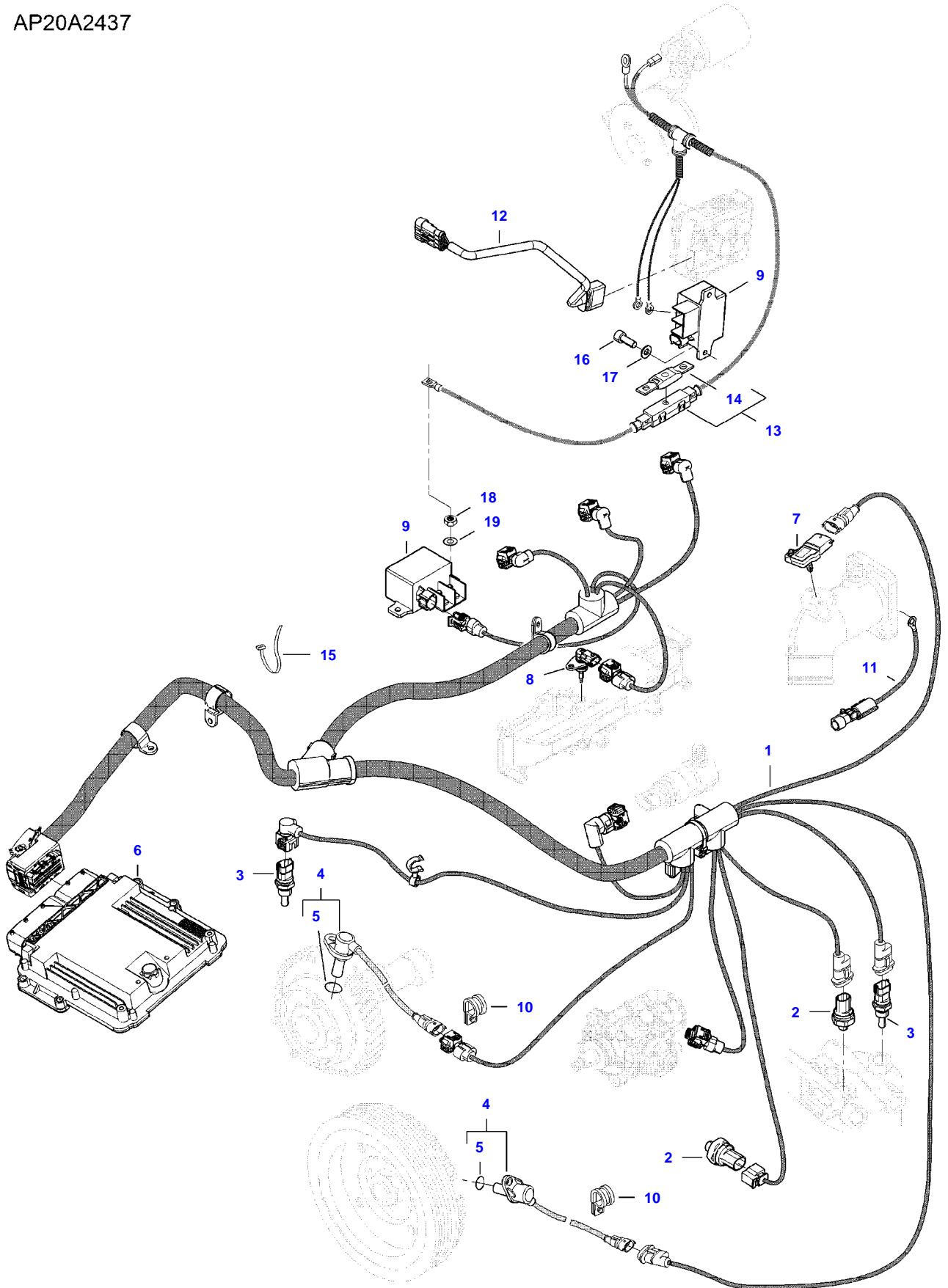


CYLINDER BLOCK

| Item | Part Number | Qty | Description Comments |
|------|-------------|-----|--|
| 1 | V837070453 | 1 | CYLINDER BLOCK |
| 2 | V836866069 | 1 | CAMSHAFT BEARING BUSHING (1) |
| 3 | V835329030 | 8 | HEX CAP SCREW (1) |
| 4 | V836214478 | 8 | GUIDE SLEEVE (1) |
| 5 | V836673191 | 3 | LINER |
| 6 | V836647502 | 6 | CYLINDER LINER O-RING (5) [B] |
| 7 | V836647503 | 3 | CYLINDER LINER O-RING (5) [B] |
| 8 | V528801362 | 4 | HEX CAP SCREW |
| 9 | V836866957 | 1 | COVER |
| 10 | V836866958 | 1 | GASKET [B] |
| 11 | V640016016 | 4 | CUP PLUG [B] |
| 12 | V836529872 | 1 | PLUG |
| 13 | V640016018 | 1 | CUP PLUG |
| 14 | V640325110 | 3 | SCREW PLUG |
| 15 | V615871014 | 3 | SEALING WASHER [B] |
| 16 | V581804580 | 5 | HEX SOCKET SCREW |
| 17 | V640325018 | 2 | PLUG |
| 18 | V615881824 | 3 | SEALING WASHER [B] |
| 19 | V836119837 | 1 | HOSE COUPLER |
| 20 | V836666910 | 1 | OIL DIPSTICK GUIDE PIPE |
| 21 | V837086143 | 1 | FUEL FILTER BRACKET |
| 22 | V837074723 | 1 | BRACKET |
| 23 | V837074224 | 3 | PISTON COOLING JET |
| 24 | V640016040 | 1 | CUP PLUG |
| 25 | V615871016 | 1 | SEALING WASHER [B] |
| 26 | | 1 | SEE PAGE 01-0020 [B] INCLUDED IN COMPLETE ENGINE GASKET KIT 2 |

FENDT 208F VARIO S3 (WAM240XXX00F00101-99999)
AP20A2437

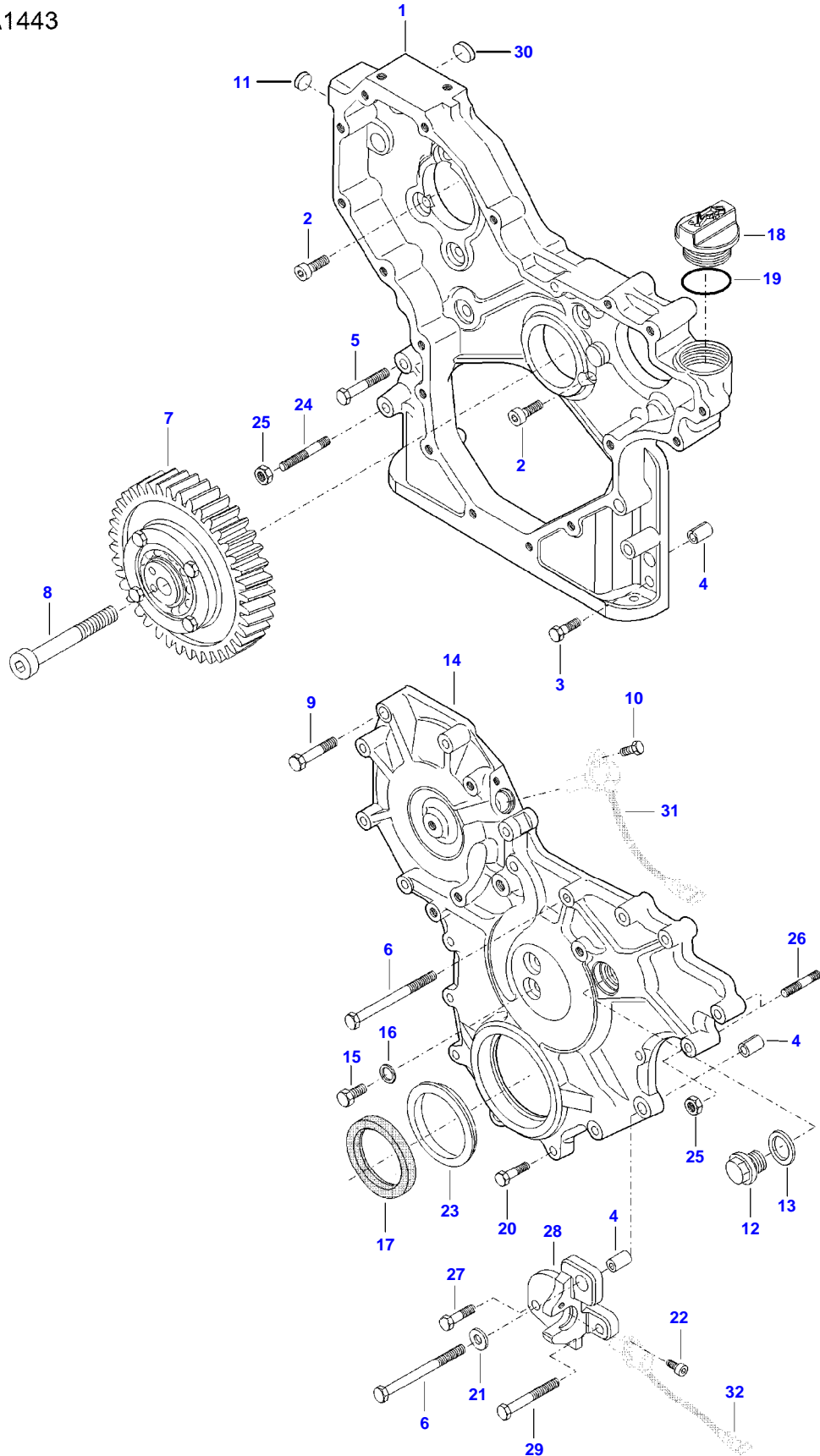
AP20A2437



| Item | Part Number | Qty | Description Comments |
|------|-------------|-----|-------------------------|
| 1 | V837086121 | 1 | ENGINE WIRE HARNESS |
| 2 | V837070201 | 2 | PRESSURE SENSOR |
| 3 | V836667732 | 2 | TEMPERATURE SENSOR |
| 4 | V837070189 | 2 | SPEED SENSOR |
| 5 | V614601718 | 2 | O-RING (4) |
| 6 | V837073357 | 1 | ENGINE CONTROL UNIT |
| 7 | V837073934 | 1 | BOOST PRESSURE SENSOR |
| 8 | V837074507 | 1 | TEMPERATURE SENSOR |
| 9 | V837069047 | 2 | RELAY |
| 10 | V602060610 | 2 | RETAINER CLAMP |
| 11 | V837073594 | 1 | WIRE |
| 12 | V837073595 | 1 | WIRE |
| 13 | V837073596 | 1 | WIRE |
| 14 | V836662501 | 1 | FUSE (13) |
| 15 | V651754720 | 10 | CABLE TIE |
| 16 | V581804182 | 2 | HEX SOCKET SCREW |
| 17 | V500150642 | 2 | WASHER |
| 18 | V504600602 | 2 | NUT |
| 19 | V500050642 | 2 | WASHER |

FENDT 208F VARIO S3 (WAM240XXX00F00101-99999)
AP2A1443

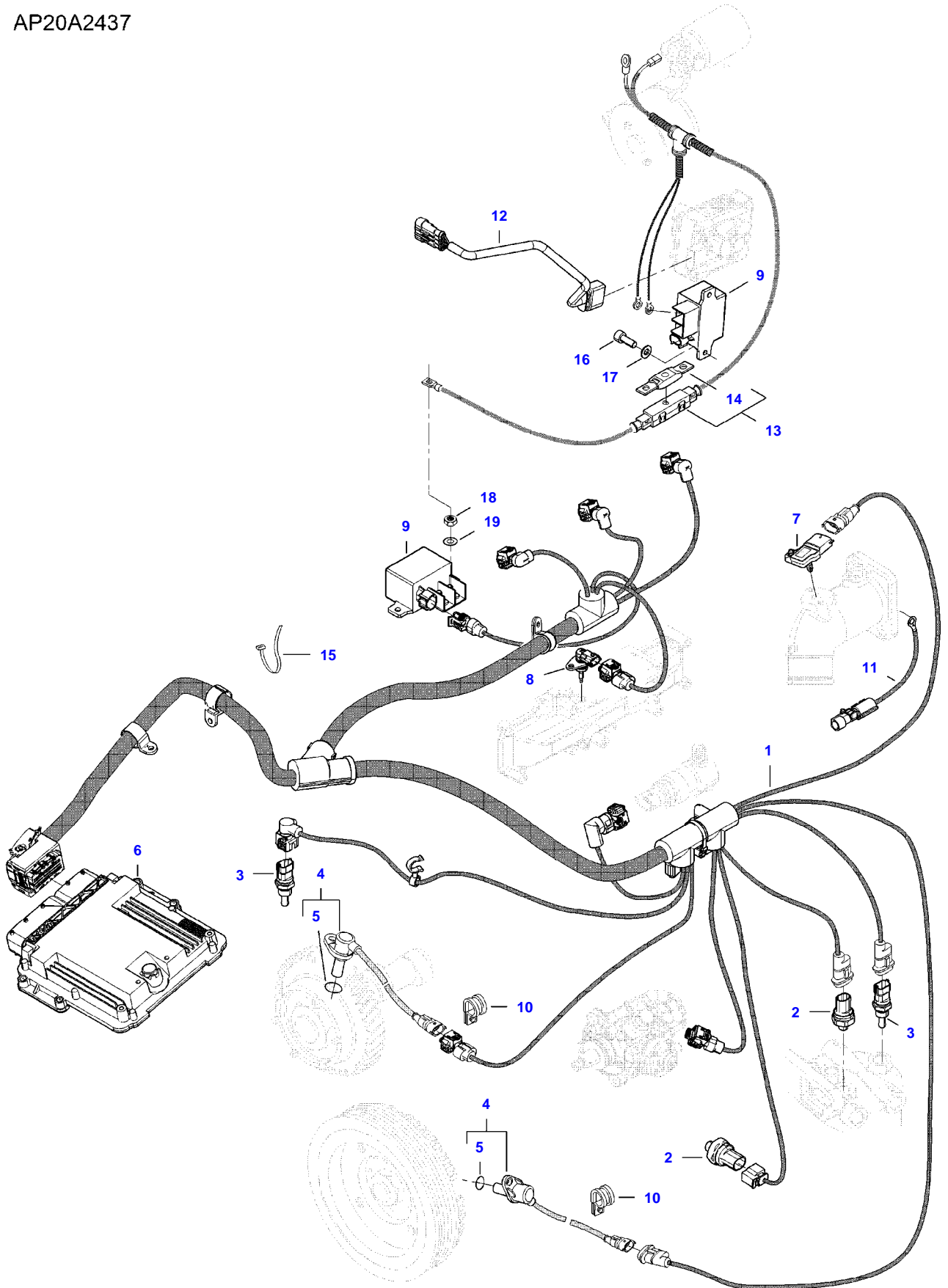
AP2A1443



| Item | Part Number | Qty | Description Comments |
|------|-------------|-----|--|
| 1 | V837074705 | 1 | TIMING GEAR CASE |
| 2 | V581704600 | 10 | HEX SOCKET SCREW |
| 3 | V528801402 | 2 | HEX CAP SCREW |
| 4 | V598359850 | 3 | PIN |
| 5 | V529801470 | 2 | HEX CAP SCREW |
| 6 | V529801540 | 2 | HEX CAP SCREW |
| 7 | V837073583 | 1 | IDLER GEAR |
| 8 | V581705910 | 1 | HEX SOCKET SCREW |
| 9 | V529801440 | 5 | HEX CAP SCREW |
| 10 | V528801062 | 1 | HEX CAP SCREW |
| 11 | V640016016 | 1 | CUP PLUG |
| 12 | V640045022 | 1 | PLUG |
| 13 | V615882227 | 1 | SEALING WASHER [B] |
| 14 | V837074707 | 1 | GEAR HOUSING FRONT COVER |
| 15 | V528801382 | 2 | HEX CAP SCREW |
| 16 | V615870814 | 2 | SEALING WASHER [B] |
| 17 | V836840883 | 1 | CRANKSHAFT SEAL [B] |
| 18 | V837081106 | 1 | OIL FILLER CAP |
| 19 | V614603540 | 1 | O-RING [B] |
| 20 | V528801410 | 6 | HEX CAP SCREW |
| 21 | V836120989 | 1 | WASHER |
| 22 | V581804182 | 1 | HEX SOCKET SCREW |
| 23 | V836855636 | 1 | SHIELD |
| 24 | V546801494 | 1 | STUD BOLT |
| 25 | V504800800 | 4 | NUT |
| 26 | V546801452 | 3 | STUD BOLT |
| 27 | V528801422 | 1 | HEX CAP SCREW |
| 28 | V837074080 | 1 | BRACKET |
| 29 | V529801490 | 1 | HEX CAP SCREW |
| 30 | V640016020 | 1 | CUP PLUG |
| 31 | | 1 | SEE PAGE 01-0020 |
| 32 | | 1 | SEE PAGE 01-0020 [B] INCLUDED IN COMPLETE ENGINE GASKET KIT 2 |

FENDT 208F VARIO S3 (WAM240XXX00F00101-99999)
AP20A2437

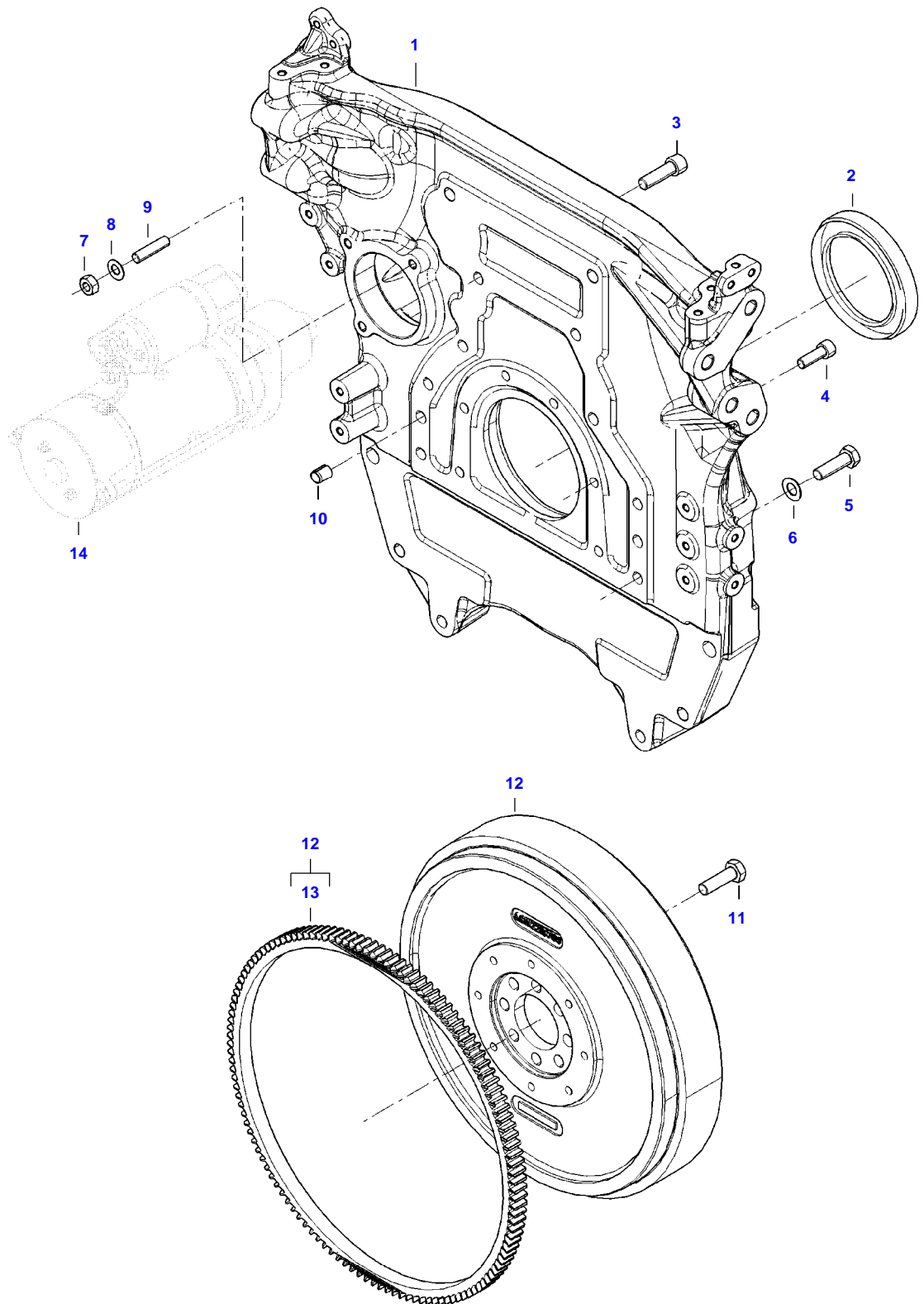
AP20A2437



| Item | Part Number | Qty | Description Comments |
|------|-------------|-----|-------------------------|
| 1 | V837086121 | 1 | ENGINE WIRE HARNESS |
| 2 | V837070201 | 2 | PRESSURE SENSOR |
| 3 | V836667732 | 2 | TEMPERATURE SENSOR |
| 4 | V837070189 | 2 | SPEED SENSOR |
| 5 | V614601718 | 2 | O-RING (4) |
| 6 | V837073357 | 1 | ENGINE CONTROL UNIT |
| 7 | V837073934 | 1 | BOOST PRESSURE SENSOR |
| 8 | V837074507 | 1 | TEMPERATURE SENSOR |
| 9 | V837069047 | 2 | RELAY |
| 10 | V602060610 | 2 | RETAINER CLAMP |
| 11 | V837073594 | 1 | WIRE |
| 12 | V837073595 | 1 | WIRE |
| 13 | V837073596 | 1 | WIRE |
| 14 | V836662501 | 1 | FUSE (13) |
| 15 | V651754720 | 10 | CABLE TIE |
| 16 | V581804182 | 2 | HEX SOCKET SCREW |
| 17 | V500150642 | 2 | WASHER |
| 18 | V504600602 | 2 | NUT |
| 19 | V500050642 | 2 | WASHER |

FENDT 208F VARIO S3 (WAM240XXX00F00101-99999)
AP3A2418

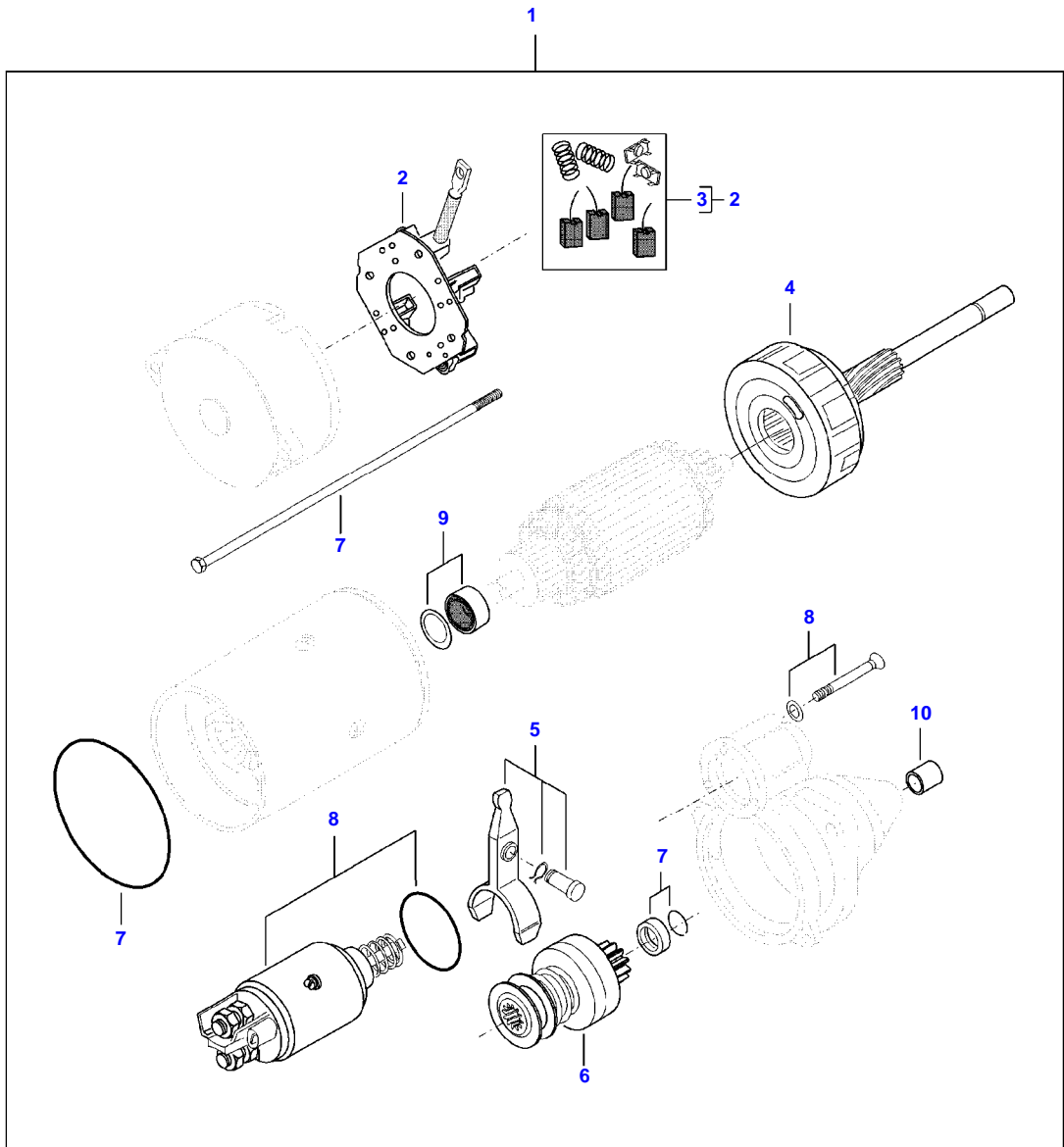
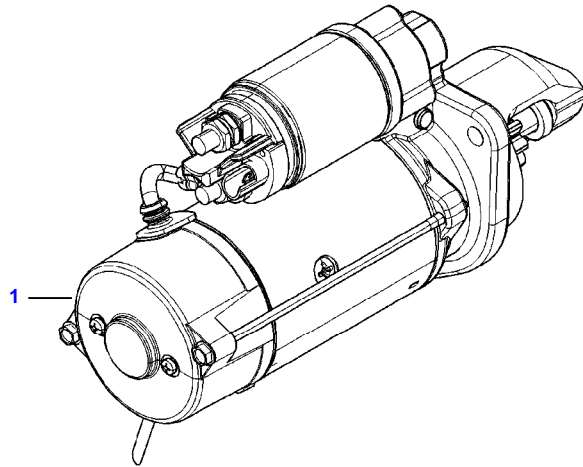
AP3A2418



| Item | Part Number | Qty | Description Comments |
|------|-------------|-----|--|
| 1 | V837086055 | 1 | FLYWHEEL HOUSING |
| 2 | V837091172 | 1 | CRANKSHAFT SEAL [B] |
| 3 | V581705450 | 2 | HEX SOCKET SCREW |
| 4 | V581705030 | 6 | HEX SOCKET SCREW |
| 5 | V528702230 | 8 | HEX CAP SCREW |
| 6 | V500951202 | 8 | SPRING WASHER |
| 7 | V504601002 | 3 | NUT |
| 8 | V500951002 | 3 | SPRING WASHER |
| 9 | V546801810 | 3 | STUD BOLT |
| 10 | V598359850 | 2 | PIN |
| 11 | V528702230 | 8 | HEX CAP SCREW |
| 12 | ACW2215770 | 1 | FLYWHEEL |
| 13 | V836117970 | 1 | STARTER RING (12) |
| 14 | | 1 | SEE PAGE 01-0022 [B] INCLUDED IN COMPLETE ENGINE GASKET KIT 2 |

FENDT 208F VARIO S3 (WAM240XXX00F00101-99999)
AP22D1267

AP22D1267





Suggest:

For more complete manuals. Please go to the home page.

<https://www.ebooklibonline.com>

If the above button click is invalid. Please download this document first, and then click the above link to download the complete manual.

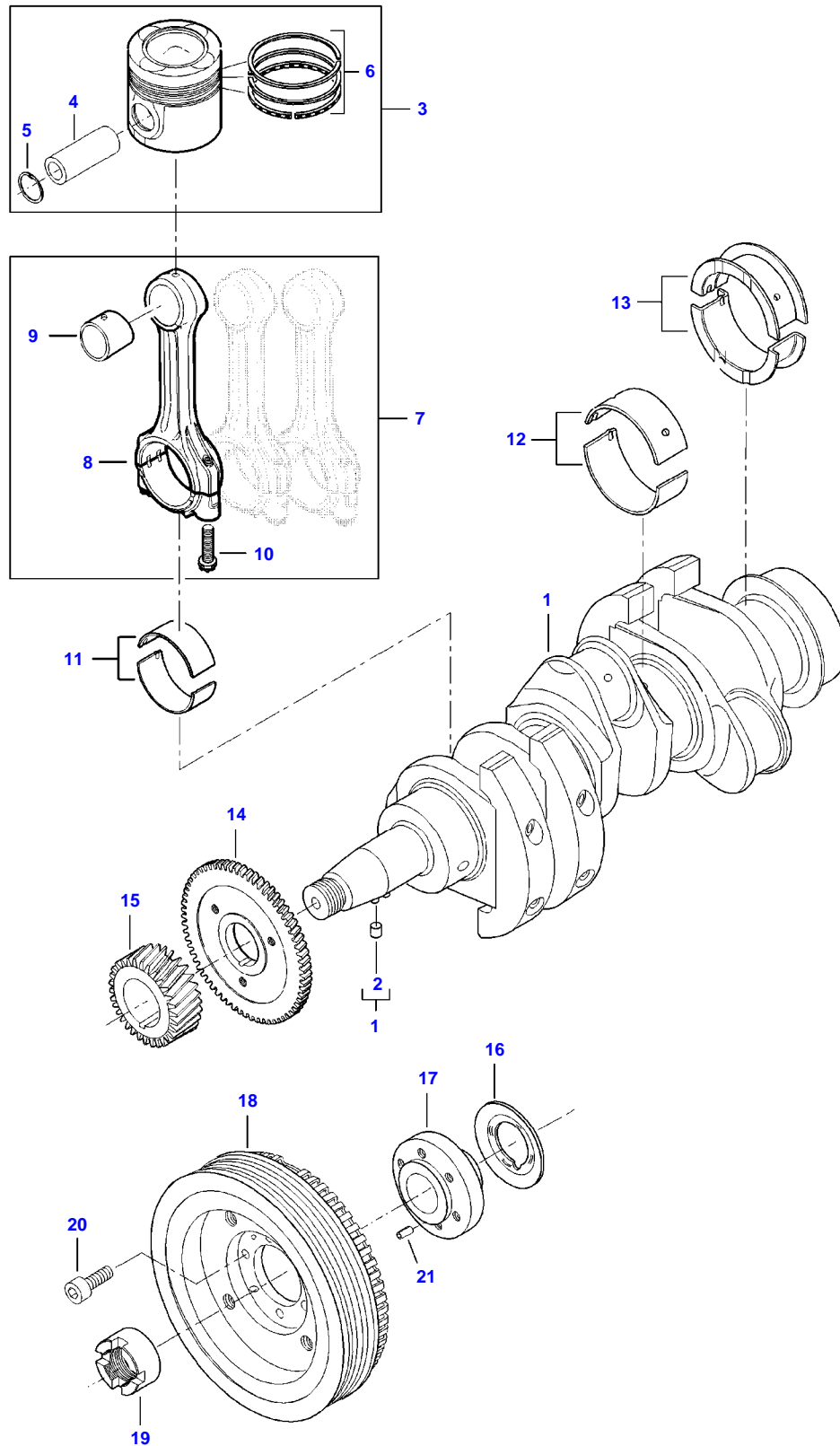
Thank you so much for reading

STARTER MOTOR

| Item | Part Number | Qty | Description Comments |
|------|-------------|-----|-------------------------|
| 1 | V836673353 | 1 | STARTER MOTOR |
| 2 | V836662545 | 1 | KIT,BRUSH HOLDER (1) |
| 3 | V836662546 | 1 | CARBON BRUSH (1),(2) |
| 4 | V836679529 | 1 | GEAR,STARTERMOTR (1) |
| 5 | V836862457 | 1 | LEVER (1) |
| 6 | V836679528 | 1 | BENDIX DRIVE (1) |
| 7 | V836679530 | 1 | KIT, MOUNTING (1) |
| 8 | V836662709 | 1 | STARTER SOLENOID (1) |
| 9 | V836662543 | 1 | BEARING (1) |
| 10 | V836662095 | 1 | BEARING BUSH (1) |

FENDT 208F VARIO S3 (WAM240XXX00F00101-99999)
AP4A2419

AP4A2419



<https://www.ebooklibonline.com>

Hello dear friend!

Thank you very much for reading.

Enter the link into your browser.

The full manual is available for immediate download.

<https://www.ebooklibonline.com>