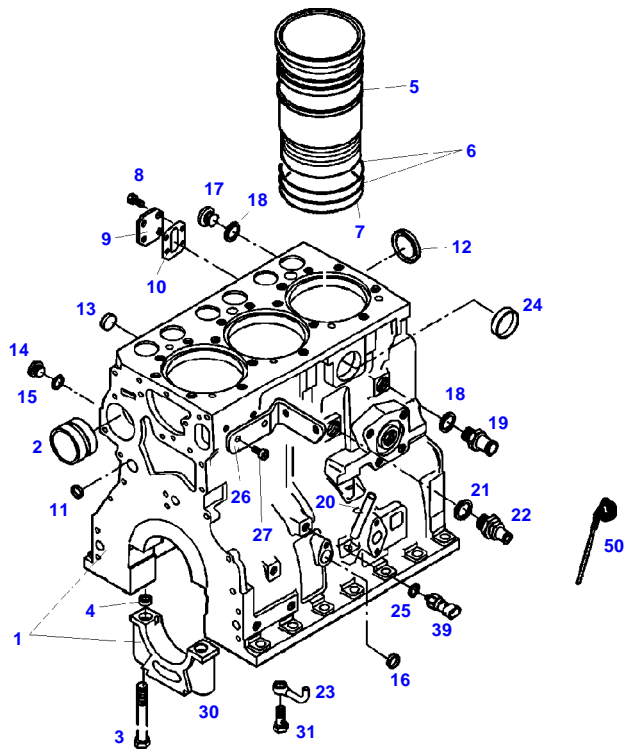


<b>Page Number</b>	<b>Page Title</b>	<b>Page Reference</b>
01-000-TOC	ENGINE, FUEL AND EXHAUST SYSTEM	01-000-TOC
02-000-TOC	AXLES	02-000-TOC
03-000-TOC	STEERING SYSTEM	03-000-TOC
04-000-TOC	DRIVE TRAIN SYSTEM	04-000-TOC
05-000-TOC	COMPRESSED AIR SYSTEM	05-000-TOC
06-000-TOC	HYDRAULIC SYSTEM	06-000-TOC
07-000-TOC	ELECTRICAL SYSTEM	07-000-TOC
08-000-TOC	CAB	08-000-TOC
09-000-TOC	AIR CONDITIONING AND HEATING SYSTEM	09-000-TOC
10-000-TOC	CHASSIS	10-000-TOC
11-000-TOC	WHEELS	11-000-TOC
12-000-TOC	IMPLEMENT LIFT SYSTEM FRONT	12-000-TOC
13-000-TOC	IMPLEMENT LIFT SYSTEM REAR	13-000-TOC
14-000-TOC	ACCESSORIES	14-000-TOC

FENDT 207V+F VARIO (260/00101-99999)  
F50335



050335

Item	Part Number	Qty	Description Comments	Technical Specification
			<-- 260/3260	
	E260200011400	1	DIESEL ENGINE .../21/.... .../23/....	F260 _FLEX
	E260200011020	1	DIESEL ENGINE .../25/.... .../27/....	F260
	72605960	1	SHORT BLOCK ENGINE	33 TI
1	V837070453	1	CYLINDER BLOCK >< 2,3,4,30	
2	V836866069	1	CAMSHAFT BEARING BUSHING	
	V836866036	1	CAMSHAFT BEARING BUSHING OVERSIZE 0,40MM	+ 0.40 MM
3	V835329030	8	HEX CAP SCREW	
4	V836214478	8	GUIDE SLEEVE	
5	V836673191	3	LINER >< 6,7	
	V836647933	3	LINER COLLAR HIGHT 9,08MM >< 6,7	
	V836647934	3	LINER COLLAR HIGHT 9,13MM >< 6,7	
	V836647935	3	LINER COLLAR HIGHT 9,23MM >< 6,7	
6	V836647502	6	CYLINDER LINER O-RING	
7	V836647503	3	CYLINDER LINER O-RING	
8	V528801362	4	HEX CAP SCREW	
9	V836866957	1	COVER	
10	V836866958	1	GASKET	
11	V640016016	4	CUP PLUG	
12	V836529872	1	PLUG	
13	V640016018	1	CUP PLUG	
14	V640325110	3	SCREW PLUG	
15	V615871014	3	SEALING WASHER	
16	V640016020	1	CUP PLUG	
17	V640325018	1	PLUG	
18	V615881822	2	SEALING WASHER	
19	V836119837	1	HOSE COUPLER	
20	V836666910	1	OIL DIPSTICK GUIDE PIPE	
21	V615881824	1	SEALING WASHER	
22	V836664377	1	DRAIN VALVE	
23	V837074224	6	PISTON COOLING JET ><31	
24	V640016040	1	CUP PLUG	
25	V615871016	1	SEALING WASHER	
26	V837074723	1	BRACKET	
27	V581804580	2	HEX SOCKET SCREW	
30			NOT AVAILABLE IN SINGLE PARTS	
31			NOT AVAILABLE IN SINGLE PARTS	
39	V837070201	1	PRESSURE SENSOR	
50	V836666908	1	DIPSTICK	

**<https://www.ebooklibonline.com>**

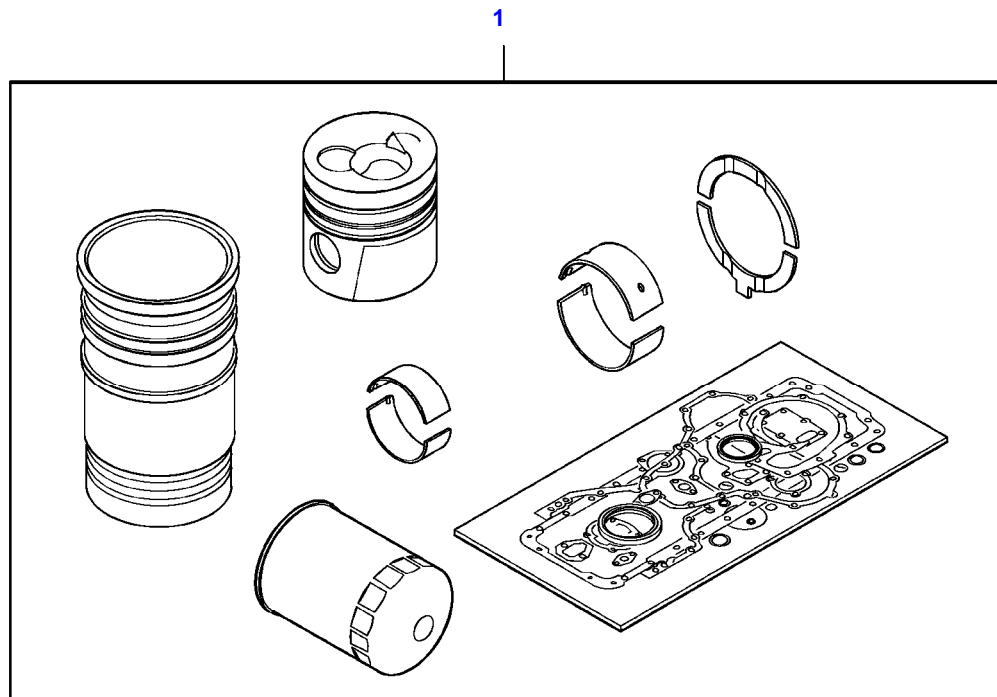
Hello dear friend!

Thank you very much for reading.

Enter the link into your browser.

The full manual is available for immediate download.

**<https://www.ebooklibonline.com>**



041091

---

Fendt

FENDT 207V+F VARIO (260/00101-99999)

F260000

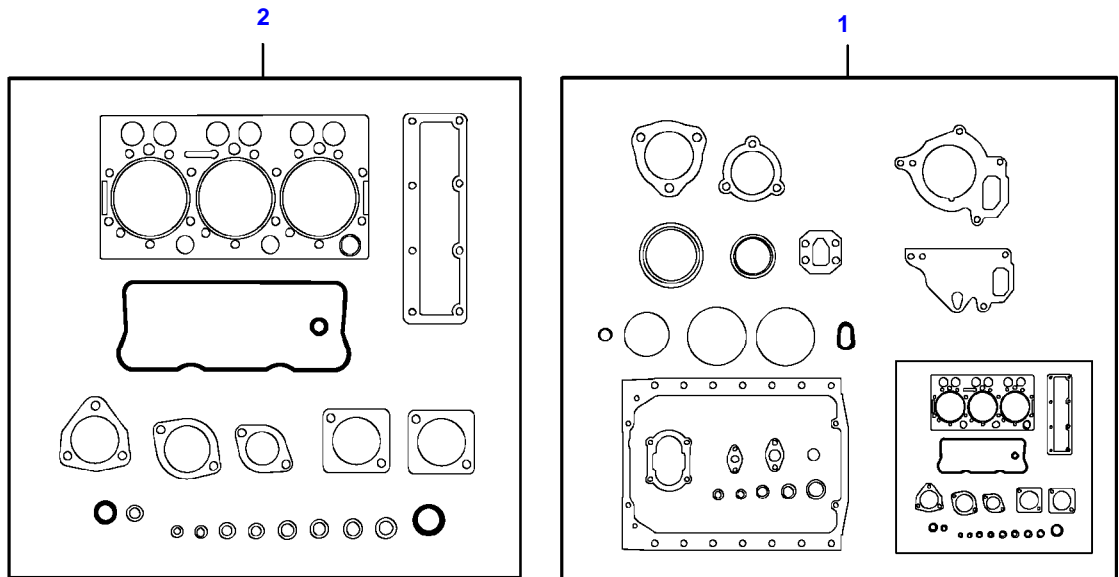
REPAIR KIT

Page01-0005

---

Item	Part Number	Qty	Description Comments
			ENGINE
1	V837079775	1	KIT,ENG.OVERHAUL

FENDT 207V+F VARIO (260/00101-99999)  
41166



041166

---

Fendt

FENDT 207V+F VARIO (260/00101-99999)

F260000

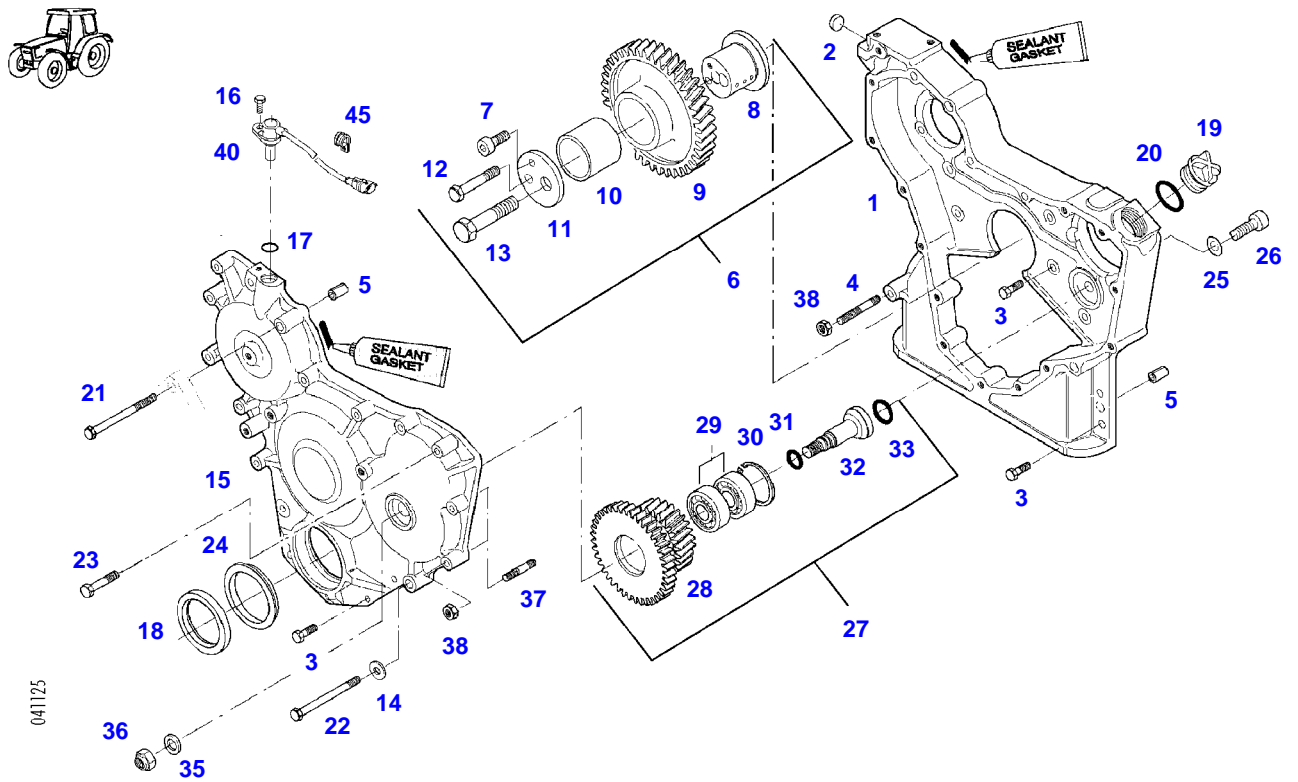
SET OF GASKETS

Page01-0006

---

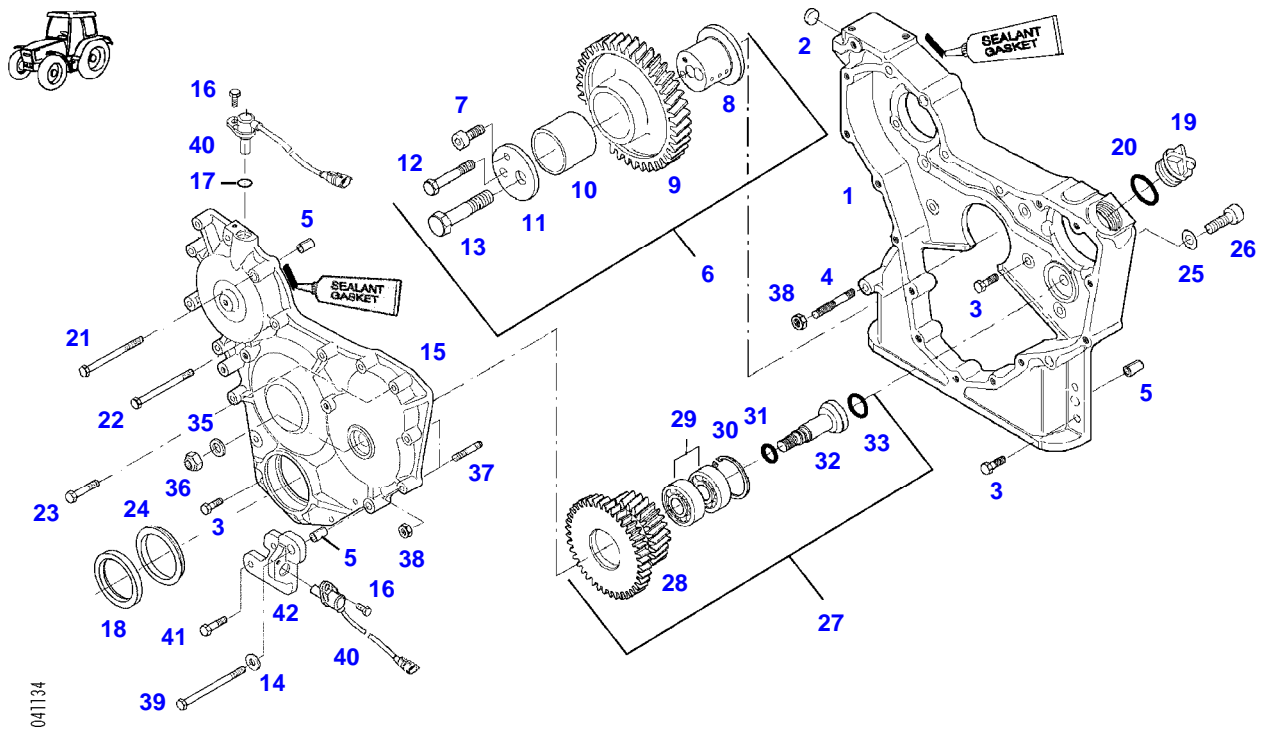
Item	Part Number	Qty	Description Comments
			ENGINE CYLINDER
1	V837079774	1	ENGINE GASKET KIT >>2
2	V837079773	1	ENGINE GASKET KIT CYLINDER

FENDT 207V+F VARIO (260/00101-99999)  
41125



Item	Part Number	Qty	Description Comments
<b>GEARCASE</b>			
<-- 260/0101 --> 260/0200			
1	V837070025	1	TIMING GEAR CASE
2	V640016016	1	CUP PLUG
3	V528801402	16	HEX CAP SCREW M8X25
4	V546801490	1	STUD BOLT M8X70
5	V598359850	4	PIN
6	V837073330	1	IDLER GEAR ><7-13
7	V581804602	1	HEX SOCKET SCREW M8X20
8	V836766127	1	SHAFT
9	V837070034	1	GEAR ><10
10	V836139039	1	BUSHING
11	V836129845	1	FLANGE
12	V529801910	1	HEX CAP SCREW M10X80
13	V529902720	1	HEX CAP SCREW M14X85
14	V836120989	2	WASHER
15	V837070026	1	GEAR HOUSING FRONT COVER
16	V528801062	1	HEX CAP SCREW M6X16
17	V614601718	1	O-RING
18	V836673387	1	SHAFT SEAL
19	V836017927	1	CAP
20	V614603540	1	O-RING
21	V529801560	1	HEX CAP SCREW M8X105
22	V529801540	4	HEX CAP SCREW M8X95
23	V529801440	7	HEX CAP SCREW M8X45
24	V836129782	1	COVER
	V835328899	X	SPACER S=3,00MM
25	V500951200	1	SPRING WASHER
26	V581705420	1	HEX SOCKET SCREW M12X25
27	V837070095	1	DUAL GEAR WHEEL ><28-33
28	V837070111	1	DUAL GEAR WHEEL
29	V610073040	2	BALL BEARING
30	V617330052	1	LOCK RING
31	V614601324	1	O-RING
32	V837069069	1	SHAFT
33	V614601924	1	O-RING
35	V837069070	1	WASHER
36	V504601400	1	NUT M14
37	V546801450	2	STUD BOLT M8X50
38	V504800800	3	NUT M8
40	V837070189	1	SPEED SENSOR CAM SHAFT
45	V602060610	1	RETAINER CLAMP

FENDT 207V+F VARIO (260/00101-99999)  
41134



Item	Part Number	Qty	Description Comments
			<b>GEARCASE</b> <-- 260/1001 --> 260/2999
1	V837070025	1	TIMING GEAR CASE
2	V640016016	1	CUP PLUG
3	V528801402	14	HEX CAP SCREW M8X25
4	V546801490	1	STUD BOLT M8X70
5	V598359850	5	PIN
6	V837073330	1	IDLER GEAR ><7-13
7	V581804602	1	HEX SOCKET SCREW M8X20
8	V836766127	1	SHAFT
9	V837070034	1	GEAR ><10
10	V836139039	1	BUSHING
11	V836129845	1	FLANGE
12	V529801910	1	HEX CAP SCREW M10X80
13	V529902720	1	HEX CAP SCREW M14X85
14	V500150842	1	WASHER
15	V837070026	1	GEAR HOUSING FRONT COVER
16	V528801062	2	HEX CAP SCREW M6X16
17	V614601718	1	O-RING
18	V836673387	1	SHAFT SEAL
19	V836017927	1	CAP
20	V614603540	1	O-RING
21	V529801560	1	HEX CAP SCREW M8X105
22	V529801540	3	HEX CAP SCREW M8X95
23	V529801440	7	HEX CAP SCREW M8X45
24	V836129782	1	COVER
	V835328899	X	SPACER S=3,00MM
25	V500951200	1	SPRING WASHER
26	V581705420	1	HEX SOCKET SCREW M12X25
27	V837070095	1	DUAL GEAR WHEEL ><28-33
28	V837070111	1	DUAL GEAR WHEEL
29	V610073040	2	BALL BEARING
30	V617330052	1	LOCK RING
31	V614601324	1	O-RING
32	V837069069	1	SHAFT
33	V614601924	1	O-RING
35	V837069070	1	WASHER
36	V504601400	1	NUT M14
37	V546801450	2	STUD BOLT M8X50
38	V504800800	3	NUT M8
39	V529801562	1	HEX CAP SCREW M8X110
40	V837070189	2	SPEED SENSOR CAM SHAFT CRANKSHAFT
41	V528801420	2	HEX CAP SCREW M8X35

---

Fendt

FENDT 207V+F VARIO (260/00101-99999)

F260000

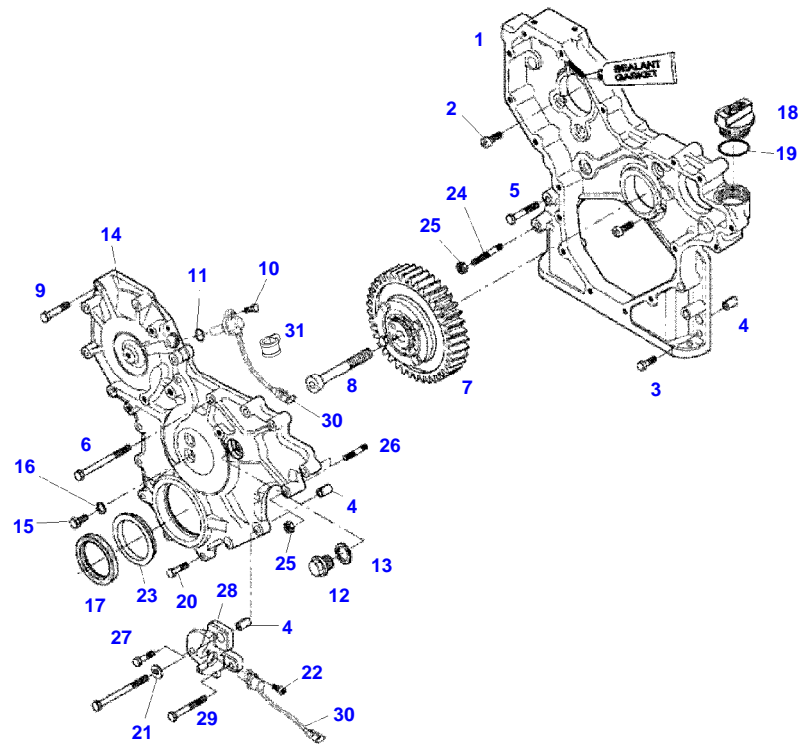
FRONT COVER

Page01-0008

---

Item	Part Number	Qty	Description Comments
42	V837073691	1	BRACKET

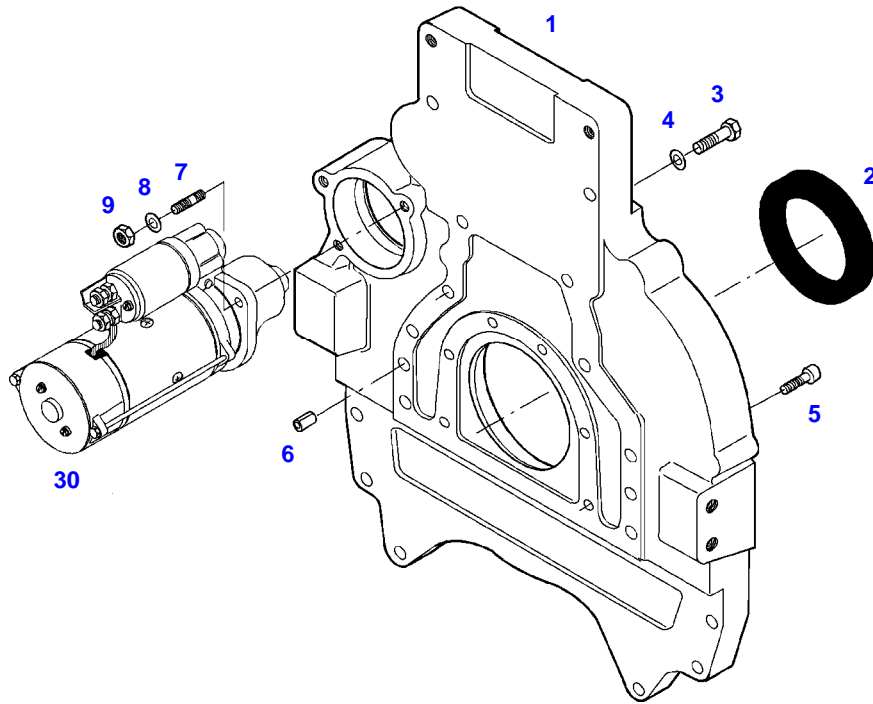
FENDT 207V+F VARIO (260/00101-99999)  
39856



039856

Item	Part Number	Qty	Description Comments	Technical Specification
			<-- 260/3000	
1	V837074705	1	TIMING GEAR CASE	
2	V581804602	10	HEX SOCKET SCREW	
3	V528801402	4	HEX CAP SCREW	
4	VJE8802	4	PIN	
5	V529801470	2	HEX CAP SCREW	
6	V529801540	2	HEX CAP SCREW	
7	V837073583	1	IDLER GEAR	
8	V581705910	1	HEX SOCKET SCREW	
9	V529801440	9	HEX CAP SCREW	
10	VHA6313	1	SCREW	M6 X 16 ISO 8.8
11	V614601718	1	O-RING	
12	V640045022	1	PLUG	
13	V615882227	1	SEALING WASHER	
14	V837074707	1	GEAR HOUSING FRONT COVER	
15	V528801382	2	HEX CAP SCREW	
16	V615870814	2	SEALING WASHER	
17	V836840883	1	CRANKSHAFT SEAL	
18	V837081106	1	OIL FILLER CAP	
19	V614603540	1	O-RING	
20	VHA6325	6	SCREW	M8 X 30 ISO 8.8
21	V836120989	1	WASHER	
22	V581804182	1	HEX SOCKET SCREW	
23	V836855636	1	SHIELD	
	V835328899	1	SPACER S=3,0MM	
24	V546801494	1	STUD BOLT	
25	V504800800	3	NUT	
26	V546801450	2	STUD BOLT	
27	V528801422	1	HEX CAP SCREW	
28	V837074080	1	BRACKET	
29	V529801490	1	HEX CAP SCREW	
30	V837070189	2	SPEED SENSOR	
31	V602060610	1	RETAINER CLAMP	

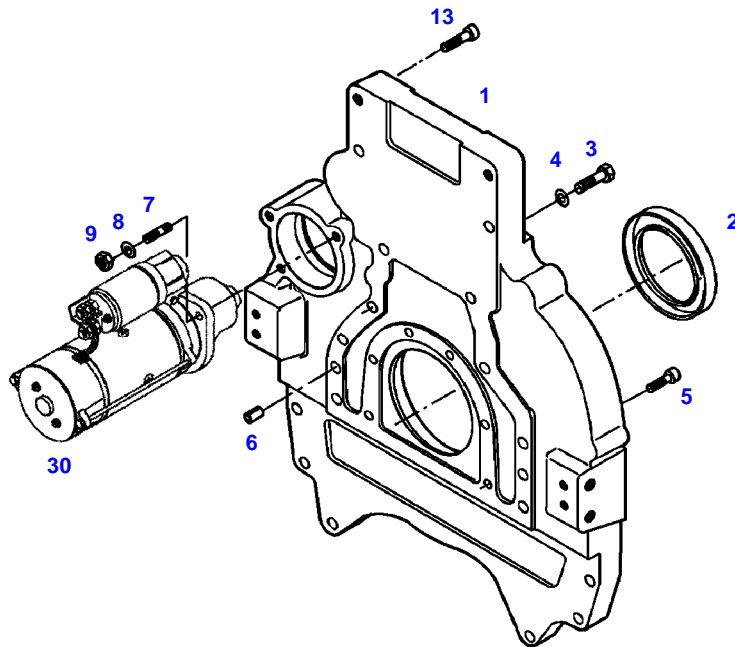
FENDT 207V+F VARIO (260/00101-99999)  
41094



041094

Item	Part Number	Qty	Description Comments	Technical Specification
			<-- 260/0101 --> 260/0200 <-- 260/1001 --> 260/2999	
1	V837073056	1	FLYWHEEL HOUSING	
2	V614500002	1	CRANKSHAFT SEAL	
	V836020054	X	SPACER RING S=2,00MM	+ 2.00 MM
3	V528702230	10	HEX CAP SCREW M12X40	
4	V500951200	10	SPRING WASHER	
5	V581705030	6	HEX SOCKET SCREW M10X30	
6	V598359850	2	PIN	
7	V546801815	3	STUD BOLT M10X30	
8	V500951000	3	SPRING WASHER	
9	V504601000	3	NUT M10	
30			SEE ELECTRICAL SYSTEM STARTER SYSTEM	

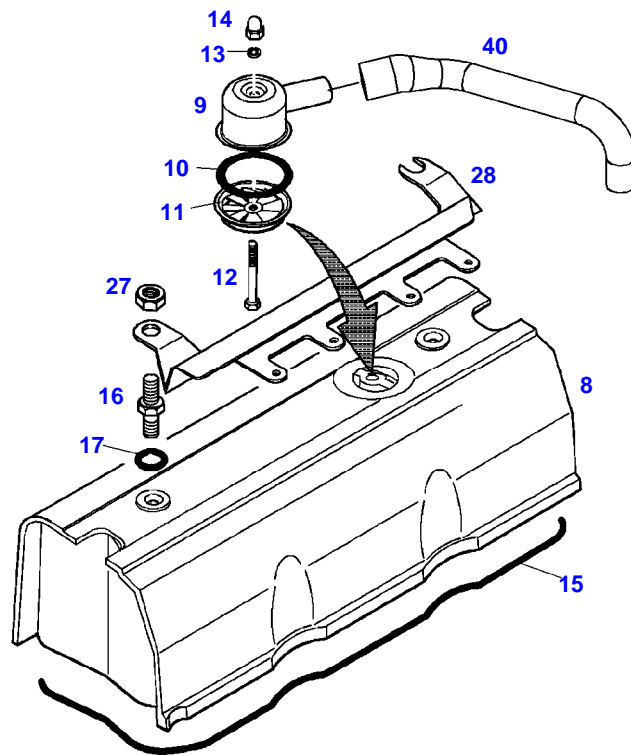
FENDT 207V+F VARIO (260/00101-99999)  
39855



039855

Item	Part Number	Qty	Description Comments	Technical Specification
			<-- 260/3000	
1	V837073056	1	FLYWHEEL HOUSING	
2	V837091172	1	CRANKSHAFT SEAL	
	V836020054	X	SPACER RING S=2,00MM	+ 2.00 MM
3	V528702230	10	HEX CAP SCREW	
4	V500951200	10	SPRING WASHER	
5	V581705030	6	HEX SOCKET SCREW	
6	VJE8802	2	PIN 13MM X 16MM	
7	V546801815	3	STUD BOLT M10X30	
8	V500951000	3	SPRING WASHER	
9	VJB1110	3	NUT	M10
13	V581705470	2	HEX SOCKET SCREW	
30			SEE ELECTRICAL SYSTEM STARTER SYSTEM	

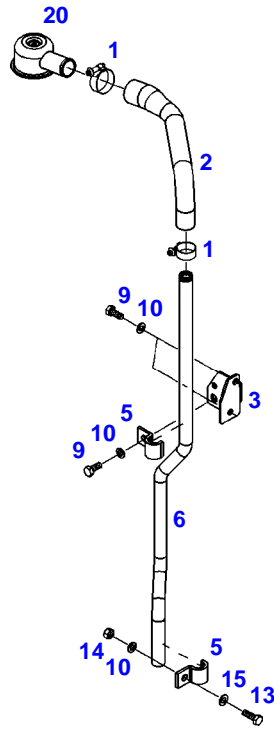
FENDT 207V+F VARIO (260/00101-99999)  
37158



037158

Item	Part Number	Qty	Description Comments	Technical Specification
8	V837070456	1	VALVE ROCKER COVER ><9-14	
9	V837070442	1	BREATHER CAP	
10	V836667459	1	GASKET	
11	V837070455	1	BREATHER	
12	V528801182	1	HEX CAP SCREW	
13	V836667508	1	SEALING WASHER	
14	V519600602	1	NUT	
15	V836667243	1	VALVE ROCKER COVER GASKET	
16	V836667033	2	STUD BOLT	
17	V614901030	2	O-RING	
27	VJB1110	2	NUT	M10
28	V837073250	1	SUPPORT	
40			SEE CRANKCASE BREATHER	

FENDT 207V+F VARIO (260/00101-99999)  
37175

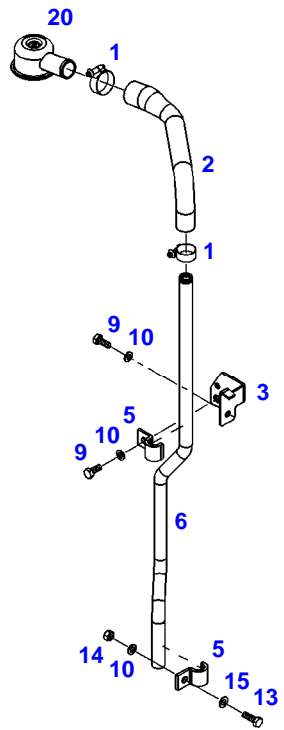


037175

Item	Part Number	Qty	Description Comments	Technical Specification
			<-- 260/0101 --> 260/0200 <-- 260/1001 --> 260/2999	
1	72311168	2	HOSE CLIP	
2	72441275	1	HOSE LINE	
3	72441277	1	RETAINER	
5	72311256	2	CLAMP	
6	72441276	1	PIPE	
9	72315650	3	HEXAGONAL HEAD BOLT	DIN 933 M8 X 20-8.8A3L
10	72315053	4	SPLIT WASHER	FWN 65208-8-A3L
13	72315653	1	HEXAGONAL HEAD BOLT	DIN 933 M8 X 25-8.8A3L
14	72313268	1	NUT	DIN 934 M8-8A3L
15	72311788	1	DISC	DIN 125-8,4-ST.A3L
20			SEE VALVE COVER	

FENDT 207V+F VARIO (260/00101-99999)  
39882

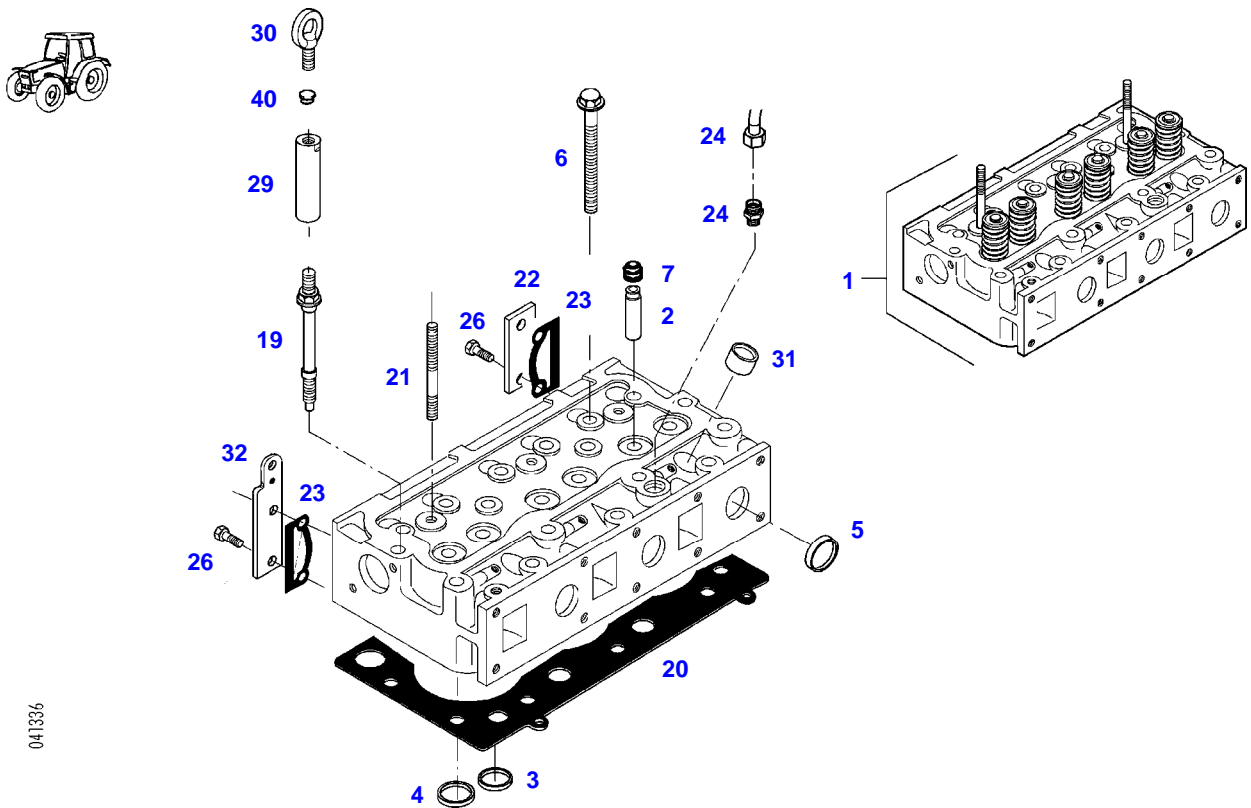
---



039882

Item	Part Number	Qty	Description Comments	Technical Specification
			<-- 260/3000	
1	72311168	2	HOSE CLIP	
2	72441275	1	HOSE LINE	
3	72605914	1	HOLDER	
5	72311256	2	CLAMP	
6	72441276	1	PIPE	
9	72315650	2	HEXAGONAL HEAD BOLT	DIN 933 M8 X 20-8.8A3L
10	72311788	3	DISC	DIN 125-8,4-ST.A3L
13	72315653	1	HEXAGONAL HEAD BOLT	DIN 933 M8 X 25-8.8A3L
14	72313268	1	NUT	DIN 934 M8-8A3L
15	72311788	1	DISC	DIN 125-8,4-ST.A3L
20			SEE VALVE COVER	

FENDT 207V+F VARIO (260/00101-99999)  
41336

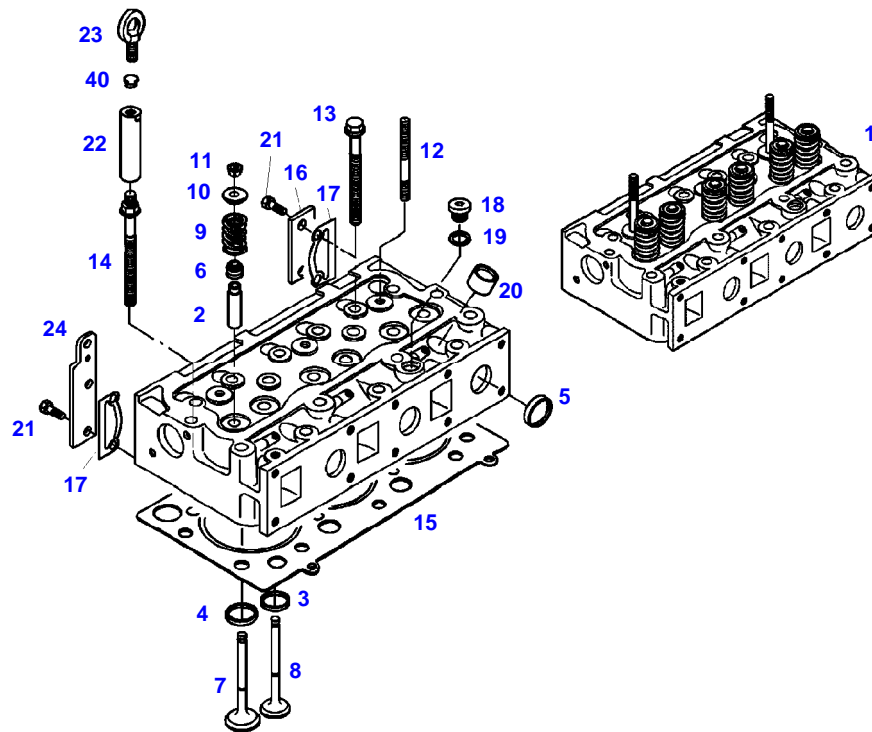


041336

## CYLINDER HEAD

Item	Part Number	Qty	Description Comments	Technical Specification
			<-- 260/0101 --> 260/0200 <-- 260/1001 --> 260/2999	
1	V837073265	1	CYLINDER HEAD ><2-5	
2	V836673175	6	VALVE GUIDE	
3	V836647600	3	VALVE SEAT OUTLET	
4	V836647936	3	VALVE SEAT INTAKE	
5	V836647942	5	CUP PLUG	
6	V837069025	15	CYLINDER HEAD BOLT	
7	V837073166	6	VALVE STEM GASKET	
19	V837073571	2	CYLINDER HEAD BOLT	
20	V837070290	1	CYLINDER HEAD GASKET	
21	V546801900	2	STUD BOLT M10X75	
22	V836855350	1	BLOCK OFF PLATE	
23	V836867753	2	GASKET	
24			SEE DRIVERS CAB - TUBES HEATING	
26	V528801800	4	HEX CAP SCREW M10X25	
29	V836867567	2	LIFTING EYE EXTENSION	
30	V836640752	2	LIFT EYE	
31	V837073439	3	GUIDE SLEEVE	
32	V837073152	1	COVER	
40	72314748	2	LOCKING PLUG	SW-F11

FENDT 207V+F VARIO (260/00101-99999)  
39863

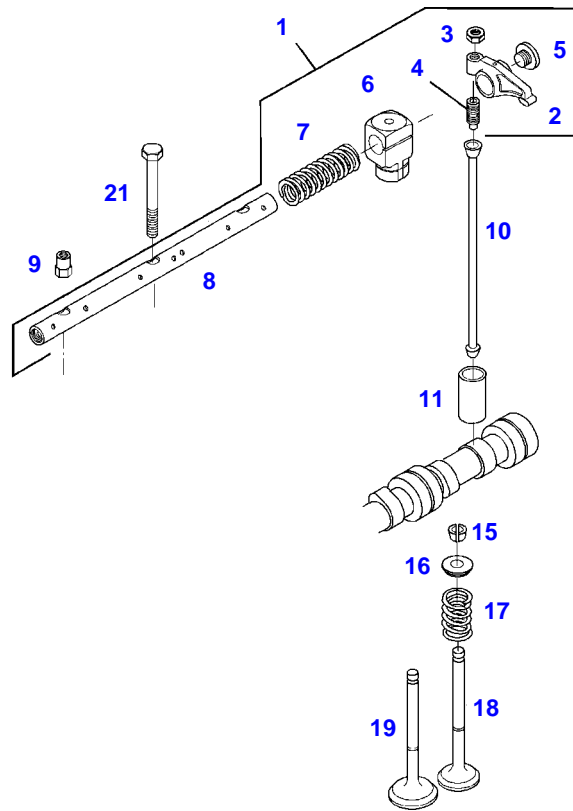


039863

## CYLINDER HEAD

Item	Part Number	Qty	Description Comments	Technical Specification
			<-- 260/3000	
1	V837073265	1	CYLINDER HEAD >< 2-12	
2	V836673175	6	VALVE GUIDE	
3	V836647600	3	VALVE SEAT	
4	V836647936	3	VALVE SEAT	
5	V836647942	5	CUP PLUG	
6	V837073166	6	VALVE STEM GASKET	
7	V836646356	3	INTAKE VALVE	
8	V836646357	3	EXHAUST VALVE	
9	V837073405	6	VALVE SPRING	
10	V836646381	6	WASHER	
11	V836646382	12	COTTER	
12	V546801900	2	STUD BOLT	
13	V837069025	15	CYLINDER HEAD BOLT	
14	V837073571	2	CYLINDER HEAD BOLT	
15	V837070290	1	CYLINDER HEAD GASKET	
16	V836855350	1	BLOCK OFF PLATE	
17	V836867753	2	GASKET	
18	V640325018	1	PLUG	
19	V615881822	1	SEALING WASHER	
20	V837073439	3	GUIDE SLEEVE	
21	V528801800	4	HEX CAP SCREW	
22	V836867567	2	LIFTING EYE EXTENSION	
23	V836640752	2	LIFT EYE	
24	V837073152	1	COVER	
40	72314748	2	LOCKING PLUG	SW-F11

FENDT 207V+F VARIO (260/00101-99999)  
41097

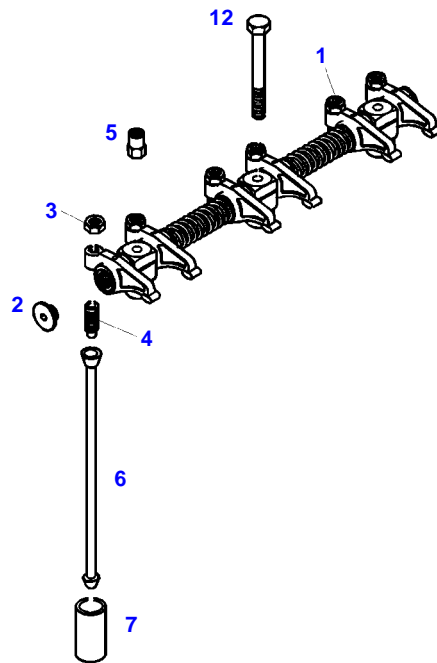


041097

Item	Part Number	Qty	Description Comments
			<-- 260/0101 --> 260/0200 <-- 260/1001 --> 260/2999
1	V836667043	1	ROCKER SHAFT ASM ><2-8
2	V836667042	6	ROCKER ARM ><3,4
3	V512861000	6	NUT
4	V837069023	6	VALVE ROCKER ADJUSTMENT SCREW
5	V837069020	2	PLUG
6	V836666609	3	BRACKET
7	V836655884	2	SPRING
8	V836655870	1	SHAFT
9	V836655406	2	SLEEVE NUT
10	V836655867	6	PUSH ROD
11	V836014264	6	TAPPET
15	V836646382	12	COTTER
16	V836646381	6	WASHER
17	V837073405	6	VALVE SPRING
18	V836646357	3	EXHAUST VALVE
19	V836646356	3	INTAKE VALVE
21	V529801910	1	HEX CAP SCREW M10X80

FENDT 207V+F VARIO (260/00101-99999)  
39864

---



039864

---

Fendt

FENDT 207V+F VARIO (260/00101-99999)

F260000

VALVE DRIVE

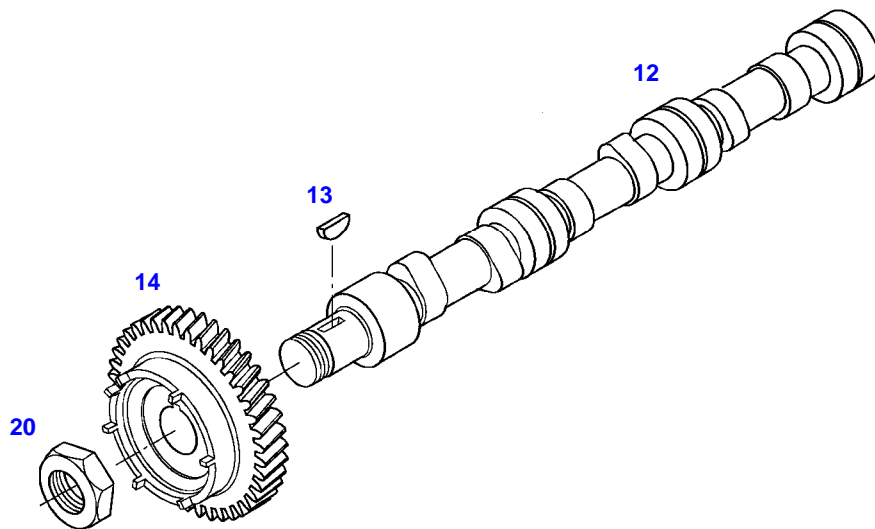
Page01-0018

---

Item	Part Number	Qty	Description Comments
			<-- 260/3000
1	V836667043	1	ROCKER SHAFT ASM >< 2,3,4
2	V837069020	2	PLUG
3	V512861000	6	NUT
4	V837069023	6	VALVE ROCKER ADJUSTMENT SCREW
5	V836655406	2	SLEEVE NUT
6	V836655867	6	PUSH ROD
7	V836014264	6	TAPPET
12	V529801910	1	HEX CAP SCREW

FENDT 207V+F VARIO (260/00101-99999)  
41098

---



041098

Fendt

FENDT 207V+F VARIO (260/00101-99999)

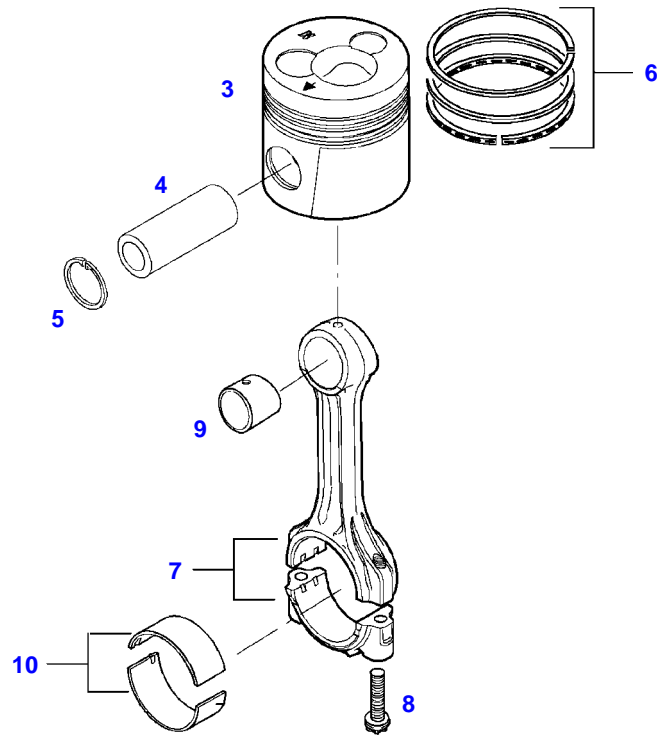
F260000

CAMSHAFT

Page01-0019

Item	Part Number	Qty	Description Comments
12	V837073037	1	CAMSHAFT
13	V603305760	1	WOODRUFF KEY
14	V837070030	1	GEAR,CAMSHAFT <-- 260/0101 --> 260/0200 <-- 260/1001 --> 260/2999
	V837073562	1	GEAR,CAMSHAFT <-- 260/3000
20	V837069085	1	NUT

FENDT 207V+F VARIO (260/00101-99999)  
41120



041120



**Suggest:**

**For more complete manuals. Please go to the home page.**

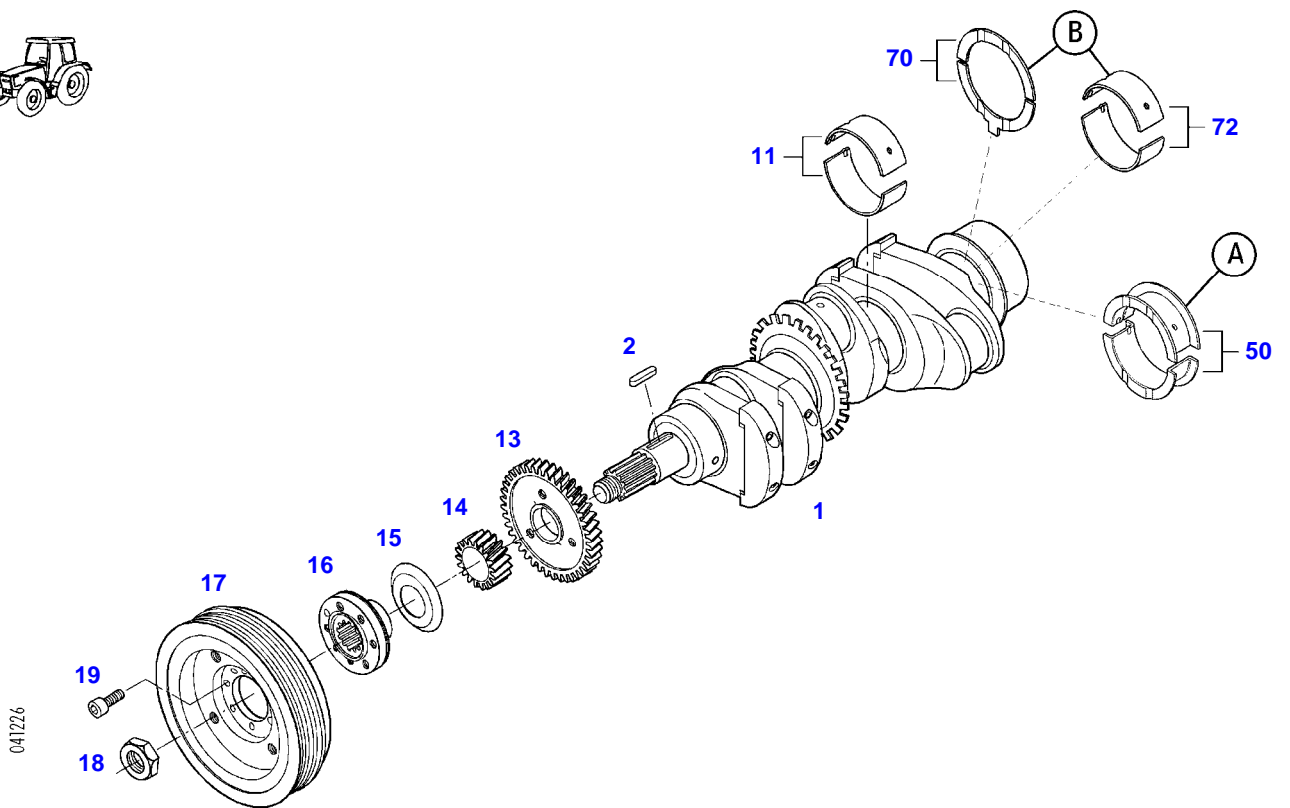
**<https://www.ebooklibonline.com>**

**If the above button click is invalid. Please download this document first, and then click the above link to download the complete manual.**

**Thank you so much for reading**

Item	Part Number	Qty	Description Comments	Technical Specification
3	V837070068	3	PISTON ><4,5,6	
4			NOT AVAILABLE IN SINGLE PARTS	
5			NOT AVAILABLE IN SINGLE PARTS	
6	V836640078	3	PISTON RING KIT	
7	V836640968	1	CONNECTING ROD KIT SET ( 3 PCE ) ><8,9	
8	V836864141	6	CONNECTING ROD BOLT	
9	V836110646	3	BEARING BUSH	STD
10	V836110552	3	BEARING SHELL	
	V836112762	3	BEARING SHELL OVERSIZE 0,25MM	
	V836112763	3	BEARING SHELL OVERSIZE 0,50MM	
	V836112765	3	BEARING SHELL OVERSIZE 1,00MM	
	V836112767	3	BEARING SHELL OVERSIZE 1,25MM	
	V836140950	3	MAIN BEARING OVERSIZE INNER DIAMETER -0.5MM OUTER DIAMETER +1.00MM	

FENDT 207V+F VARIO (260/00101-99999)  
41226



**<https://www.ebooklibonline.com>**

Hello dear friend!

Thank you very much for reading.

Enter the link into your browser.

The full manual is available for immediate download.

**<https://www.ebooklibonline.com>**