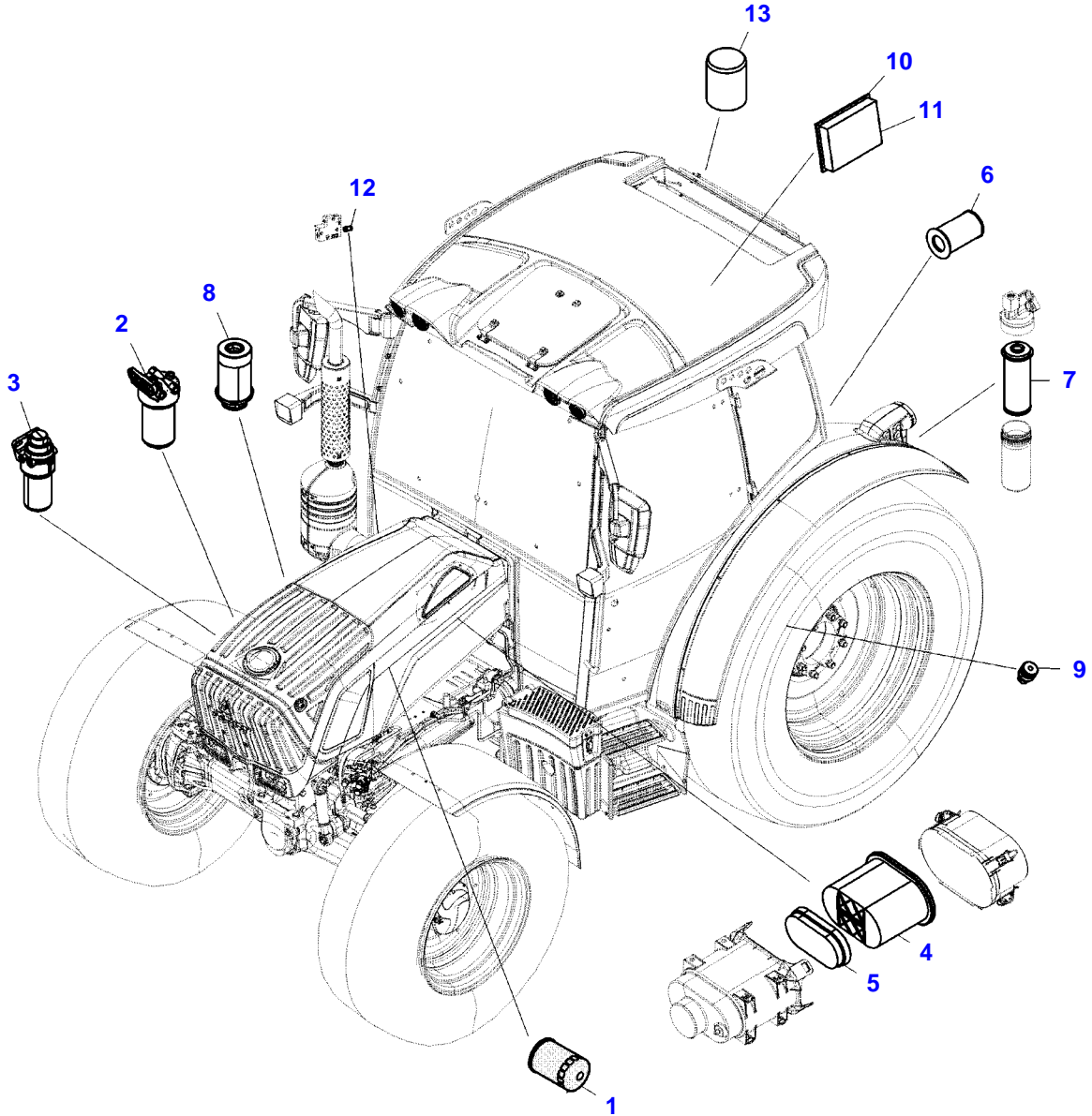


| <b>Page Number</b> | <b>Page Title</b>                   | <b>Page Reference</b> |
|--------------------|-------------------------------------|-----------------------|
| 01-000-TOC         | ENGINE, FUEL AND EXHAUST SYSTEM     | 01-000-TOC            |
| 02-000-TOC         | AXLES                               | 02-000-TOC            |
| 03-000-TOC         | STEERING SYSTEM                     | 03-000-TOC            |
| 04-000-TOC         | DRIVE TRAIN SYSTEM                  | 04-000-TOC            |
| 05-000-TOC         | COMPRESSED AIR SYSTEM               | 05-000-TOC            |
| 06-000-TOC         | HYDRAULIC SYSTEM                    | 06-000-TOC            |
| 07-000-TOC         | ELECTRICAL SYSTEM                   | 07-000-TOC            |
| 08-000-TOC         | CAB                                 | 08-000-TOC            |
| 09-000-TOC         | AIR CONDITIONING AND HEATING SYSTEM | 09-000-TOC            |
| 10-000-TOC         | CHASSIS                             | 10-000-TOC            |
| 11-000-TOC         | WHEELS                              | 11-000-TOC            |
| 12-000-TOC         | IMPLEMENT LIFT SYSTEM FRONT         | 12-000-TOC            |
| 13-000-TOC         | IMPLEMENT LIFT SYSTEM REAR          | 13-000-TOC            |
| 14-000-TOC         | LINKAGE                             | 14-000-TOC            |
| 15-000-TOC         | FRONT/REAR LOADERS                  | 15-000-TOC            |
| 16-000-TOC         | ACCESSORIES                         | 16-000-TOC            |

| Page Number | Page Title                         | Page Reference |
|-------------|------------------------------------|----------------|
| 01-0001     | FILTERS - OVERVIEW                 | 2222053        |
| 01-0002     | ENGINE ASSEMBLIES                  | 2210490        |
| 01-0003     | ENGINE - RETAINER                  | 2222059        |
| 01-0004     | CYLINDER BLOCK                     | 2210499        |
| 01-0005     | TIMING GEARS AND HOUSING           | 2211025        |
| 01-0006     | FLYWHEEL AND FLYWHEEL HOUSING      | 2211109        |
| 01-0007     | CRANKSHAFT AND PISTONS             | 2211111        |
| 01-0008     | CAMSHAFT AND VALVE MECHANISM       | 2211113        |
| 01-0009     | CYLINDER HEAD                      | 2211161        |
| 01-0010     | VALVE ROCKER COVER                 | 2211287        |
| 01-0011     | INTAKE MANIFOLD                    | 2211619        |
| 01-0012     | TURBOCHARGER AND EXHAUST MANIFOLD  | 2215178        |
| 01-0013     | EXHAUST GAS RECIRCULATION (EGR)    | 2215348        |
| 01-0014     | OIL PUMP AND SUMP                  | 2215349        |
| 01-0015     | OIL COOLER AND FILTER              | 2215352        |
| 01-0016     | CLOSED CRANKCASE VENTILATION (CCV) | 2215412        |
| 01-0017     | COOLANT PUMP AND THERMOSTAT        | 2215455        |
| 01-0018     | FUEL INJECTION SYSTEM              | 2215531        |
| 01-0019     | FUEL FILTERS                       | 2216167        |
| 01-0020     | ELECTRONIC ENGINE MANAGEMENT       | 2216543        |
| 01-0021     | ALTERNATOR                         | 2216544        |
| 01-0022     | STARTER MOTOR                      | 2216545        |
| 01-0023     | ENGINE OVERHAUL PARTS              | 2216560        |
| 01-0024     | SPECIAL OVERHAUL PARTS             | 2327205        |
| 01-0025     | AIR CLEANER                        | 2222075        |
| 01-0026     | WATER COOLED RADIATOR              | 2222065        |
| 01-0027     | EXPANSION TANK                     | 2222070        |
| 01-0028     | BOOST INTERCOOLING                 | 2221937        |
| 01-0029     | FUEL TANK - RESERVE TANK           | 2222712        |
| 01-0030     | FUEL LINES                         | 2222713        |
| 01-0031     | EXHAUST - EXHAUST AFTER-TREATMENT  | 2222194        |
| 01-0032     | VISCO FAN                          | 2222095        |
| 01-0033     | VISCO FAN - REVERSIBLE FAN         | 2222096        |
| 01-0034     | SPEED CONTROL<br>FOOT OPERATION    | 2222088        |
| 01-0035     | SPEED CONTROL<br>MANUAL OPERATION  | 2222089        |
| 01-0036     | ENGINE PRE-HEATER                  | 2222132        |

FENDT 207 VARIO S3 (WAM300XXX00F00101-99999)  
18176265-M-1



18176265-M-1

**<https://www.ebooklibonline.com>**

Hello dear friend!

Thank you very much for reading.

Enter the link into your browser.

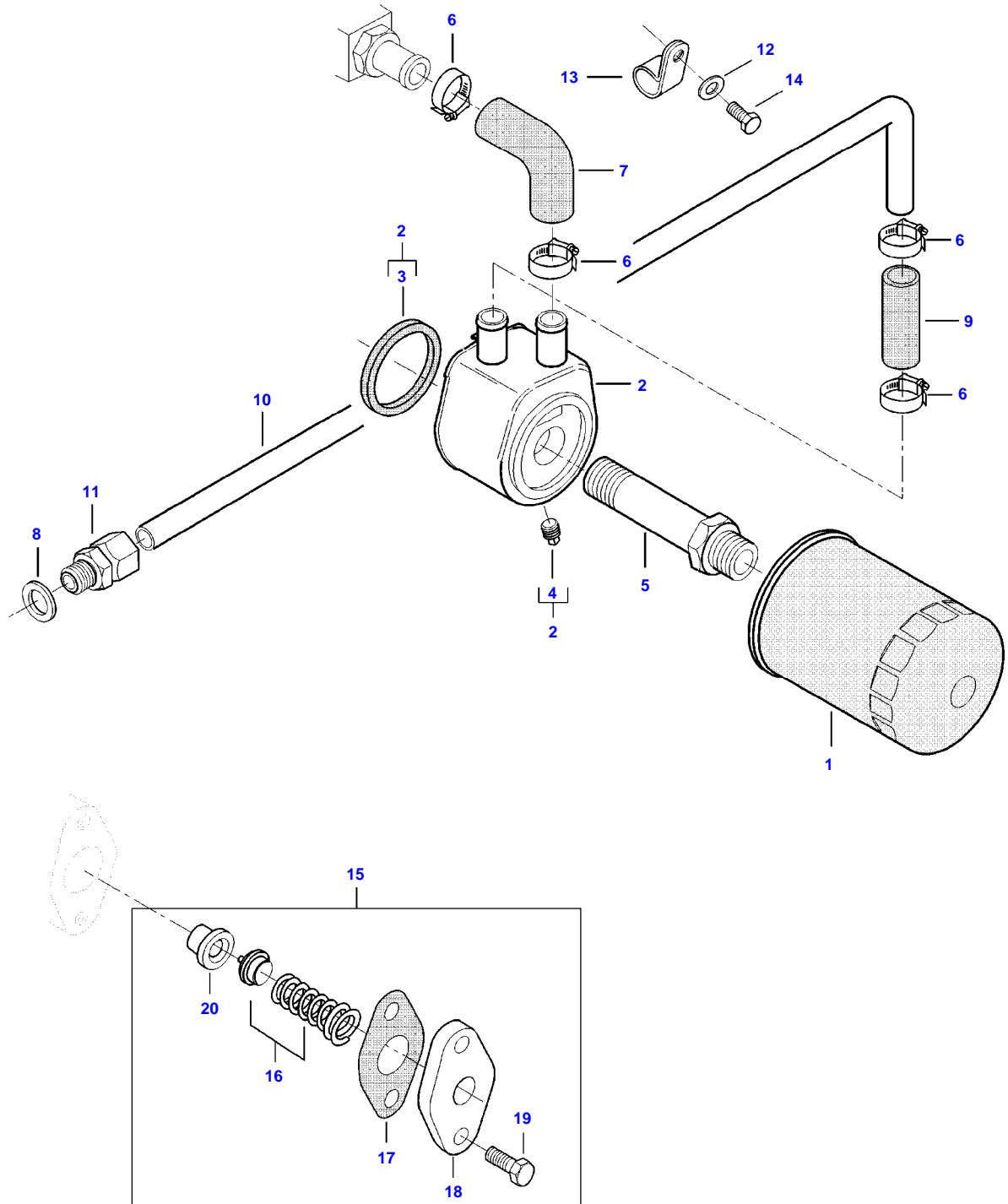
The full manual is available for immediate download.

**<https://www.ebooklibonline.com>**

| Item | Part Number | Qty | Description<br>Comments  |
|------|-------------|-----|--|
| 1    | V836479591  | 1   | ENGINE OIL FILTER<br>SEE PAGE 01-0015                              |
| 2    | V837086099  | 1   | MAIN FUEL FILTER<br>SEE PAGE 01-0019                               |
| 3    | V837086172  | 1   | FUEL PREFILTER<br>SEE PAGE 01-0019                                 |
| 4    | 72474352    | 1   | FILTER CARTRIDGE<br>SEE PAGE 01-0025                               |
| 5    | 72474353    | 1   | SAFETY CARTRIDGE<br>SEE PAGE 01-0025                               |
| 6    | 72317861    | 1   | SUCTION FILTER<br>TRANSMISSION<br>SEE PAGE 04-0030                 |
| 7    | 72311028    | 1   | FILTER ELEMENT<br>TRANSMISSION<br>OIL PRESSURE<br>SEE PAGE 04-0033 |
| 8    | 72436468    | 1   | OIL FILTER ELEMENT<br>OIL TANK<br>SEE PAGE 13-0007                 |
| 9    | 72474412    | 1   | VENTILATION FILTER<br>OIL TANK<br>SEE PAGE 13-0006                 |
| 10   | 72477670    | 1   | FILTER<br>FRESH AIR  |
| 11   | 72481531    | 1   | FILTER<br>ACTIVE COAL FILTER                                       |
| 12   | 72630441    | 1   | FILTER ELEMENT<br>END PLATE<br>FRONT LOADER<br>SEE PAGE 06-0029    |
| 13   | 72437515    | 1   | CARTRIDGE JET<br>AIR DRIER   |

FENDT 207 VARIO S3 (WAM300XXX00F00101-99999)  
AP14A2426

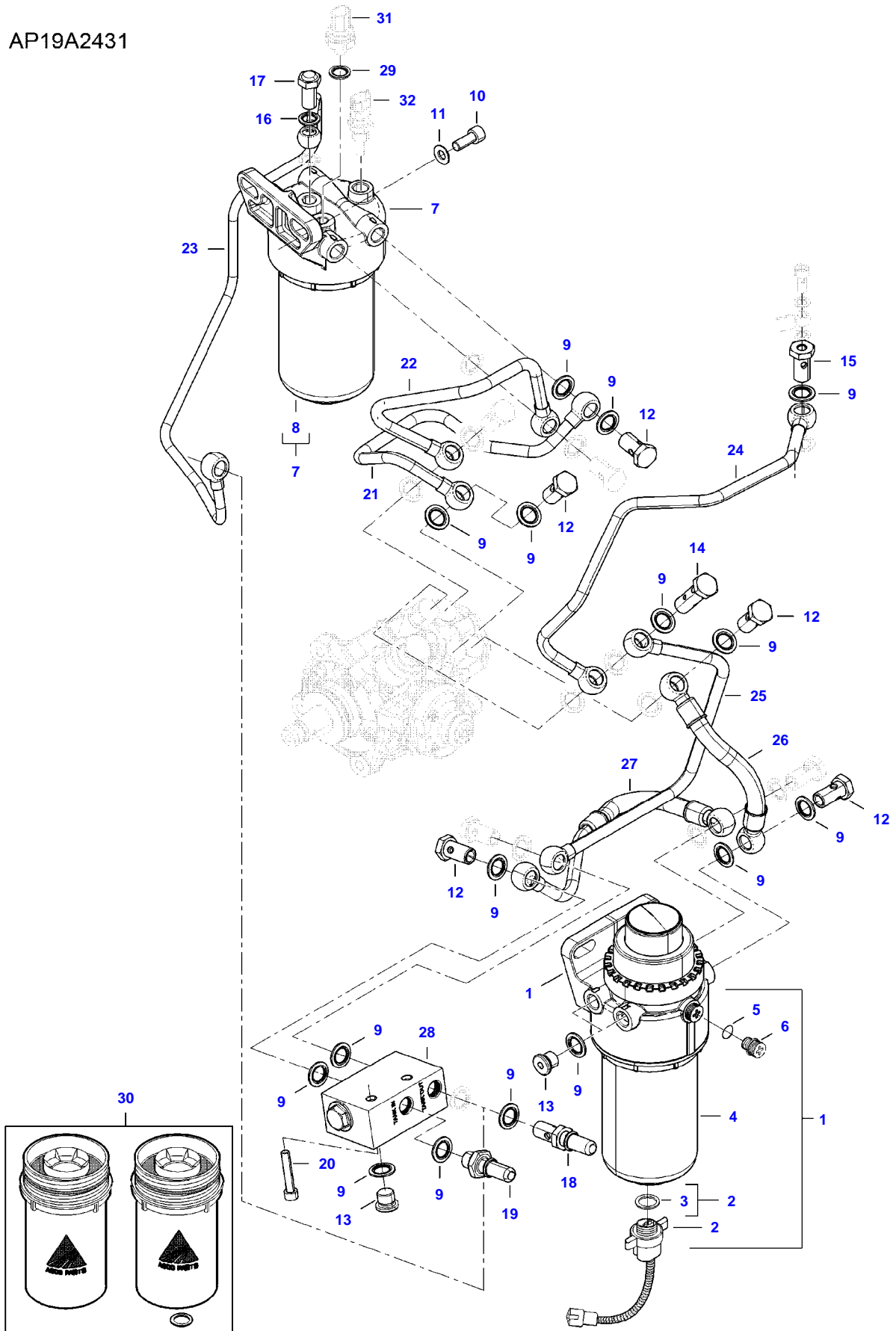
AP14A2426



| Item | Part Number | Qty | Description<br>Comments   |
|------|-------------|-----|---|
| 1    | V836479591  | 1   | ENGINE OIL FILTER   |
| 2    | V836859699  | 1   | OIL COOLER  |
| 3    | V836862235  | 1   | SEAL<br>(2)   |
| 4    | V640004004  | 1   | PLUG<br>(2)   |
| 5    | V836859700  | 1   | UNION   |
| 6    | V602079516  | 4   | HOSE CLIP   |
| 7    | V836859899  | 1   | RUBBER ELBOW  |
| 8    | V615881822  | 1   | SEALING WASHER<br>[B]   |
| 9    | V836673590  | 1   | RUBBER HOSE   |
| 10   | V836673588  | 1   | PIPE  |
| 11   | V641086015  | 1   | STRAIGHT FITTING  |
| 12   | V500050642  | 1   | WASHER  |
| 13   | V602074615  | 1   | RETAINER CLAMP  |
| 14   | V528801062  | 1   | HEX CAP SCREW   |
| 15   | V837091147  | 1   | OIL PRESSURE CONTROL VALVE  |
| 16   |             | 1   | NOT AVAILABLE AS SINGLE PART<br>(15)  |
| 17   | V836322190  | 1   | GASKET<br>(15)<br>[B]   |
| 18   | V837074289  | 1   | COVER<br>(15)   |
| 19   | V528801382  | 2   | HEX CAP SCREW<br>(15)   |
| 20   |             | 1   | NOT AVAILABLE AS SINGLE PART<br>(15)<br><b>[B] INCLUDED IN COMPLETE ENGINE GASKET KIT 2</b> |

FENDT 207 VARIO S3 (WAM300XXX00F00101-99999)  
AP19A2431

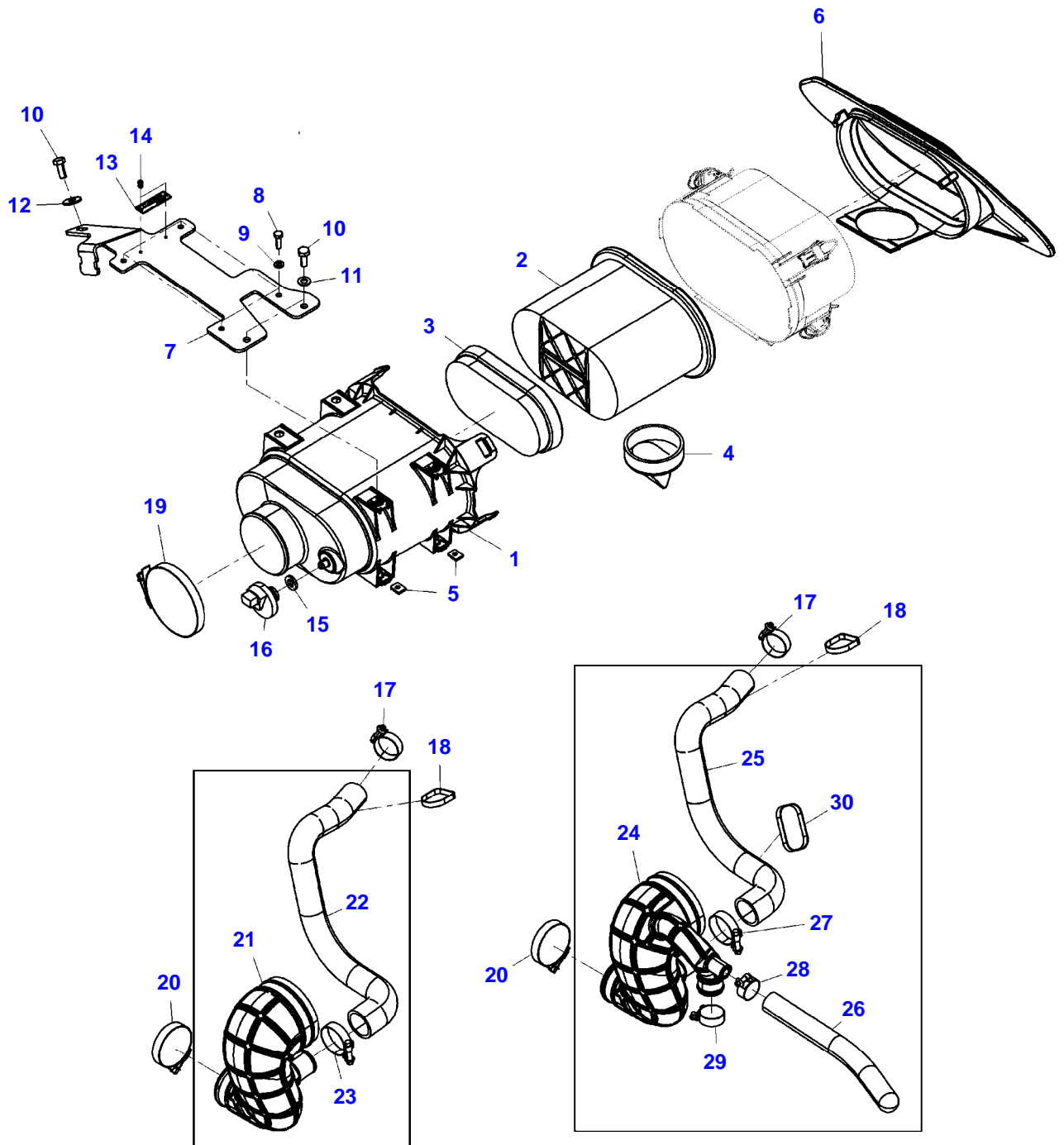
AP19A2431



## FUEL FILTERS

| Item | Part Number | Qty | Description<br>Comments  |
|------|-------------|-----|--|
| 1    | V837086172  | 1   | FUEL PREFILTER   |
| 2    | V837074054  | 1   | FUEL FILTER WATER ALARM<br>(1)                                 |
| 3    | V837091271  | 1   | SEAL<br>(1),(2),(30)   |
| 4    |             | 1   | NOT AVAILABLE AS SINGLE PART<br>(1),(30)                       |
| 5    | V837079628  | 1   | O-RING<br>(1)  |
| 6    | V837079627  | 1   | BLEED SCREW<br>(1)   |
| 7    | V837086099  | 1   | MAIN FUEL FILTER   |
| 8    |             | 1   | NOT AVAILABLE AS SINGLE PART<br>(7),(30)                       |
| 9    | V836684770  | 29  | SEALING WASHER<br>[A]  |
| 10   | V581805022  | 4   | HEX SOCKET SCREW   |
| 11   | V500151052  | 4   | WASHER   |
| 12   | V640435010  | 9   | BANJO BOLT   |
| 13   | V640325014  | 3   | PLUG   |
| 14   | V640425010  | 1   | DUAL BANJO BOLT  |
| 15   | V836007420  | 1   | BANJO BOLT   |
| 16   | V836684769  | 2   | SEALING WASHER<br>[A]  |
| 17   | V837074134  | 1   | BANJO BOLT   |
| 18   | V837074191  | 1   | QUICK COUPLER  |
| 19   | V837086171  | 1   | QUICK COUPLER  |
| 20   | V529801442  | 2   | HEX CAP SCREW  |
| 21   | V837074725  | 1   | FUEL PIPE  |
| 22   | V837074724  | 1   | FUEL PIPE  |
| 23   | V837086181  | 1   | FUEL PIPE  |
| 24   | V837086348  | 1   | FUEL PIPE  |
| 25   | V837086178  | 1   | FUEL PIPE  |
| 26   | V837086179  | 1   | FUEL HOSE  |
| 27   | V837086180  | 1   | FUEL HOSE  |
| 28   | V837086013  | 1   | FLOW CONTROL VALVE   |
| 29   | V615871016  | 1   | SEALING WASHER<br>[A]  |
| 30   | V837091129  | 1   | FUEL FILTER KIT  |
| 31   |             | 1   | SEE PAGE 01-0020   |
| 32   |             | 1   | SEE PAGE 01-0020<br>[A] INCLUDED IN CYLINDER HEAD GASKET KIT 1 |

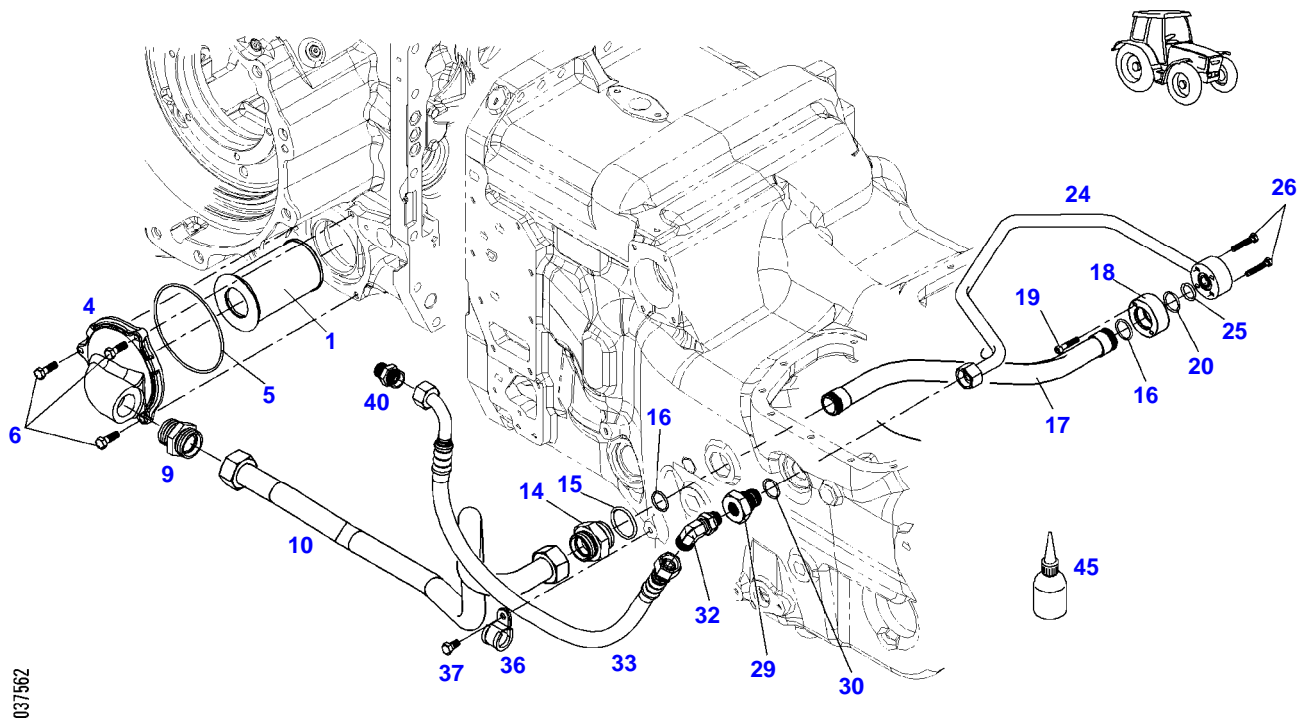
FENDT 207 VARIO S3 (WAM300XXX00F00101-99999)  
18114946-M-1



18114946-M-1

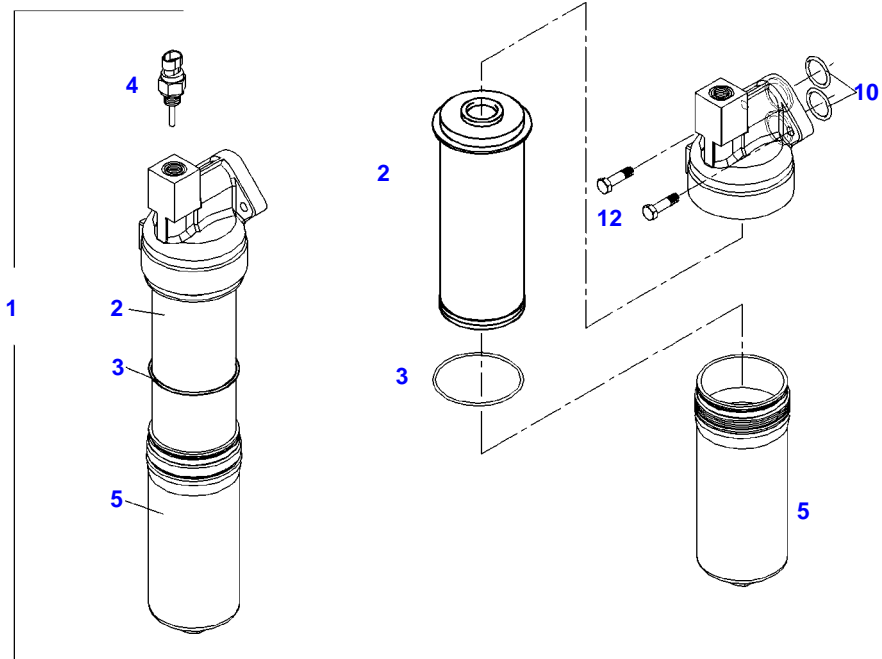
| Item | Part Number | Qty | Description<br>Comments                       | Technical Specification |
|------|-------------|-----|---|-------------------------|
| 1    | 72441307    | 1   | AIR FILTER<br>INCLUDES ITEMS<br>2-5           |                         |
| 2    | 72474352    | 1   | FILTER CARTRIDGE                              |                         |
| 3    | 72474353    | 1   | SAFETY CARTRIDGE                              |                         |
| 4    | 72441351    | 1   | DUST DISCHARGE VALVE                          |                         |
| 5    | 72474602    | 4   | U-CLAMP                                       |                         |
| 6    | 72629003    | 1   | AIR DUCT                                      |                         |
| 7    | 72628818    | 1   | HOLDER  |                         |
| 8    | 72315631    | 4   | HEXAGONAL HEAD BOLT                           | DIN 933 M6 X 20-8.8A3L  |
| 9    | 72311787    | 4   | DISC  | DIN 125-6,4-ST.A3L      |
| 10   | 72315650    | 3   | HEXAGONAL HEAD BOLT                           | DIN 933 M8 X 20-8.8A3L  |
| 11   | 72311788    | 2   | DISC  | DIN 125-8,4-ST.A3L      |
| 12   | 72311824    | 1   | DISC  | DIN9021-8,4-140HV-A3L   |
| 13   | 72628761    | 1   | IDENTIFICATION PLATE                          |                         |
| 14   | 72315252    | 2   | POP RIVET                                     | 3X8                     |
| 15   | 72311896    | 1   | FRICTION WASHER                               |                         |
| 16   | 72379889    | 1   | MAINTENANCE SWITCH                            |                         |
| 17   | 72311168    | 1   | HOSE CLIP                                     |                         |
| 18   | 72316913    | 1   | CABLE STRAP                                   | FWN 66650 B360X7,5-SW   |
| 19   | 72311172    | 1   | HOSE CLIP                                     |                         |
| 20   | 72311163    | 1   | HOSE CLIP                                     |                         |
| 21   | 72629020    | 1   | AIR INTAKE HOSE<br>WITHOUT BRAKIN SYSTEM      |                         |
| 22   | 72629100    | 1   | HOSE<br>WITHOUT BRAKIN SYSTEM                 |                         |
| 23   | 72311162    | 1   | HOSE CLIP<br>WITHOUT BRAKIN SYSTEM            |                         |
| 24   | 72629021    | 1   | AIR INTAKE HOSE<br>WITH AIR BRAKING EQUIPMENT |                         |
| 25   | 72629100    | 1   | HOSE<br>WITH AIR BRAKING EQUIPMENT            |                         |
| 26   | 72629101    | 1   | HOSE<br>WITH AIR BRAKING EQUIPMENT            |                         |
| 27   | 72311162    | 1   | HOSE CLIP<br>WITH AIR BRAKING EQUIPMENT       |                         |
| 28   | 72311167    | 1   | HOSE CLIP<br>WITH AIR BRAKING EQUIPMENT       |                         |
| 29   | 72311167    | 1   | HOSE CLIP<br>WITH AIR BRAKING EQUIPMENT       |                         |
| 30   | 72316913    | 1   | CABLE STRAP<br>WITH AIR BRAKING EQUIPMENT     | FWN 66650 B360X7,5-SW   |

FENDT 207 VARIO S3 (WAM300XXX00F00101-99999)  
37562



037562

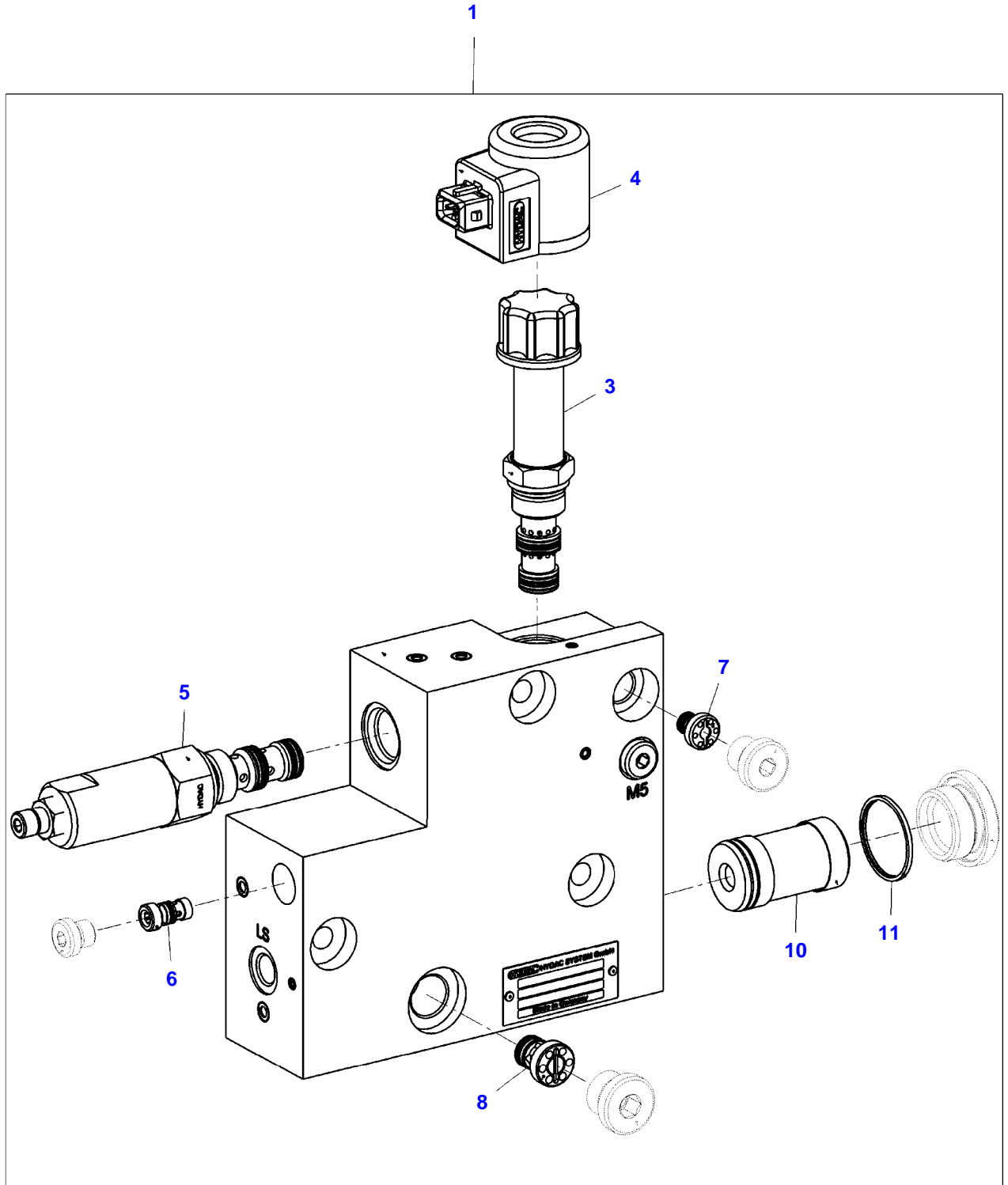
| Item        | Part Number | Qty | Description<br>Comments     | Technical Specification    |
|-------------|-------------|-----|-----------------------------|----------------------------|
| <b>TUBE</b> |             |     |                             |                            |
| 1           | 72317861    | 1   | SUCTION FILTER              |                            |
| 4           | 72477000    | 1   | FILTER LID                  |                            |
| 5           | 72313505    | 1   | O-RING                      | 114X3-FPM 70 FWN56402      |
| 6           | 72315653    | 3   | HEXAGONAL HEAD BOLT         | DIN 933 M8 X 25-8.8A3L     |
| 9           | 72316329    | 1   | SCREW NECK                  | DIN 3901-L28B-M-ST-A3      |
| 10          | 72477013    | 1   | SUCTION PIPE                |                            |
| 14          | 72477003    | 1   | NOZZLE                      |                            |
| 15          | 72313468    | 1   | O-RING                      | 36X3-NBR 70 FWN56402       |
| 16          | 72313450    | 2   | O-RING                      | 24X2,5-FPM 80 FWN56402     |
| 17          | 72477018    | 1   | SUCTION PIPE                |                            |
|             |             |     | DUAL HYDRAULIC PUMP         |                            |
|             | 72477022    | 1   | SUCTION PIPE                |                            |
|             |             |     | TRIPPLE HYDRAULIC PUMP      |                            |
|             | 72629034    | 1   | TUBE                        |                            |
|             |             |     | PISTON PUMP                 |                            |
| 18          | 72477004    | 1   | FLANGE                      |                            |
|             |             |     | GEAR PUMP GROUP             |                            |
|             | 72628775    | 1   | FLANGE                      |                            |
|             |             |     | PISTON PUMP                 |                            |
| 19          | 72315466    | 2   | SOCKET HEAD BOLT            | DIN 912 M6X30-8.8          |
| 20          | 72313447    | 1   | O-RING                      | 22,3X2,4-NBR 70-FWN56402   |
| 24          | 72477009    | 1   | BOOST PIPE                  |                            |
|             |             |     | DUAL HYDRAULIC PUMP         |                            |
|             | 72477012    | 1   | BOOST PIPE                  |                            |
|             |             |     | TRIPPLE HYDRAULIC PUMP      |                            |
|             | 72628674    | 1   | BOOST PIPE                  |                            |
|             |             |     | PISTON PUMP                 |                            |
| 25          | 72313441    | 1   | O-RING                      | 18,72X2,62-NBR 70 FWN56402 |
| 26          | 72315635    | 4   | HEXAGONAL HEAD BOLT         | DIN 933 M6X35-8.8A3L       |
| 29          | 72477002    | 1   | NOZZLE                      |                            |
| 30          | 72313455    | 1   | O-RING                      | 26X2,5-NBR 70-FWN56402     |
| 32          | 72439931    | 1   | ANGULAR THREADED CONNECTION |                            |
| 33          | 72477005    | 1   | PRESSURE HOSE               |                            |
| 36          | 72311249    | 1   | PIPE CLAMP                  |                            |
| 37          | 72315642    | 1   | HEXAGONAL HEAD BOLT         | DIN 933 M8 X 16-8.8A3L     |
| 40          | 72316324    | 1   | SCREW NECK                  | DIN 3901-L15B-M-ST-A3      |
| 45          | 72381391    | 1   | THREADLOCKER                | LOCTITE 243 10ML           |



037101

| Item | Part Number | Qty | Description<br>Comments         | Technical Specification |
|------|-------------|-----|---------------------------------|-------------------------|
|      |             |     | <b>PRESSURE FILTER</b>          |                         |
| 1    | 72425778    | 1   | FILTER<br>INCLUDES ITEMS<br>2-5 |                         |
| 2    | 72311028    | 1   | FILTER ELEMENT                  |                         |
| 3    | 72313495    | 1   | O-RING                          | 76X2,5-NBR 70 FWN56402  |
| 4    |             |     |                                 |                         |
|      |             |     | SEE ELECTRICAL SYSTEM SWITCH    |                         |
| 5    | 72425928    | 1   | HOUSING                         |                         |
| 10   | 72313459    | 2   | O-RING                          | 28X3-NBR 70 FWN56402    |
| 12   | 72315655    | 2   | HEXAGONAL HEAD BOLT             | DIN 933 M8X30-8.8       |

FENDT 207 VARIO S3 (WAM300XXX00F00101-99999)  
19399943-M-1



19399943-M-1

Fendt

FENDT 207 VARIO S3 (WAM300XXX00F00101-99999)

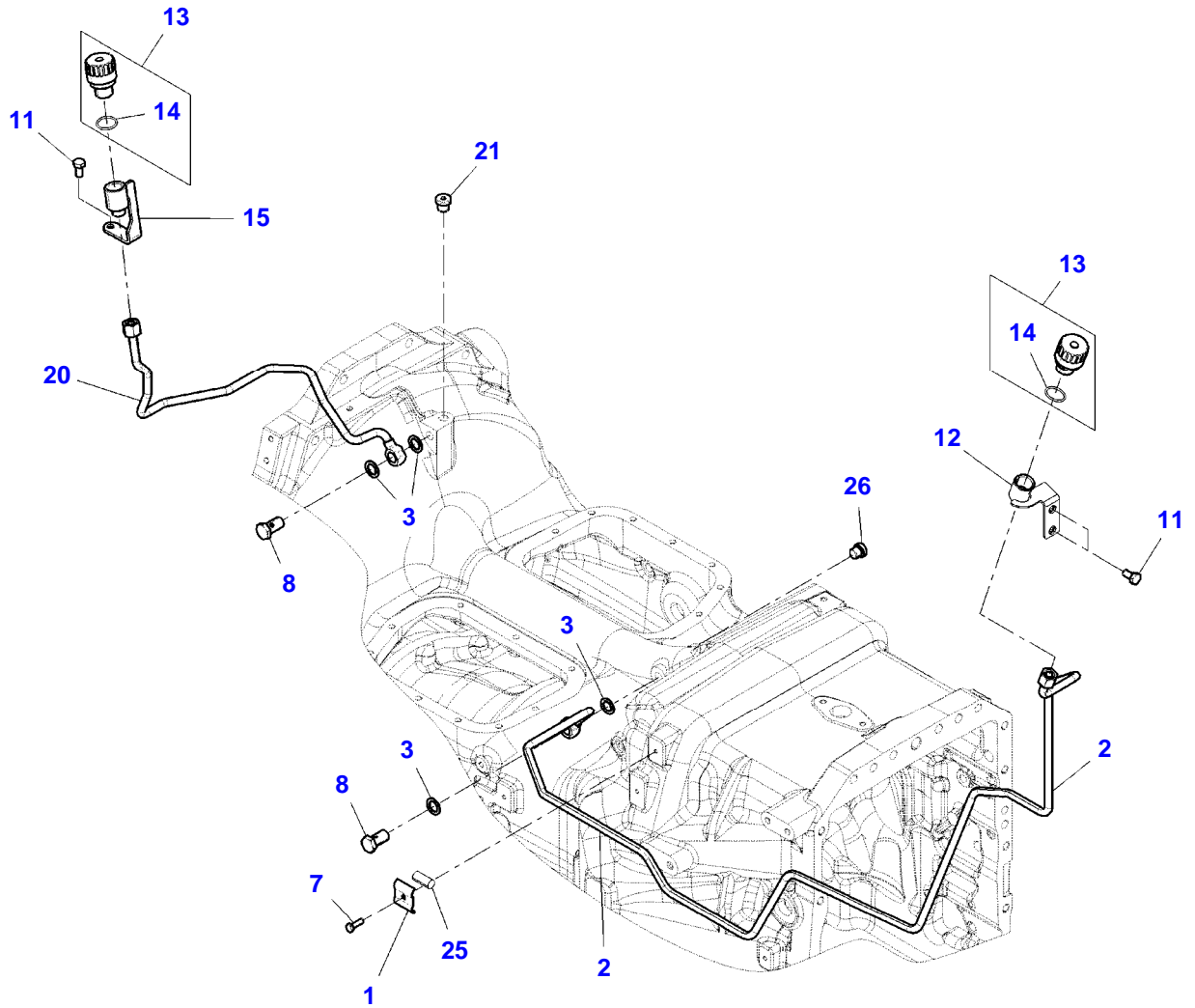
F300000

END PLATE

Page06-0029

| Item | Part Number | Qty | Description<br>Comments             |
|------|-------------|-----|-------------------------------------|
|      |             |     | FOR FRONT LOAD.WITH<br>ELECTRIC     |
| 1    | 72631151    | 1   | END PLATE<br>INCLUDES ITEMS<br>3-11 |
| 3    | 72438731    | 1   | VALVE                               |
|      | 72438741    | 1   | SEAL KIT                            |
| 4    | 72484293    | 1   | MAGNET COIL                         |
| 5    | 72630439    | 1   | PRESSURE CONTROL VALVE              |
|      | 72493364    | 1   | SEAL KIT                            |
| 6    | 72450338    | 1   | CHANGE VALVE                        |
| 7    | 72628289    | 1   | CHECK VALVE                         |
| 8    | 72630440    | 1   | CHECK VALVE                         |
| 10   | 72630441    | 1   | FILTER ELEMENT                      |
| 11   | 72630442    | 1   | GASKET                              |

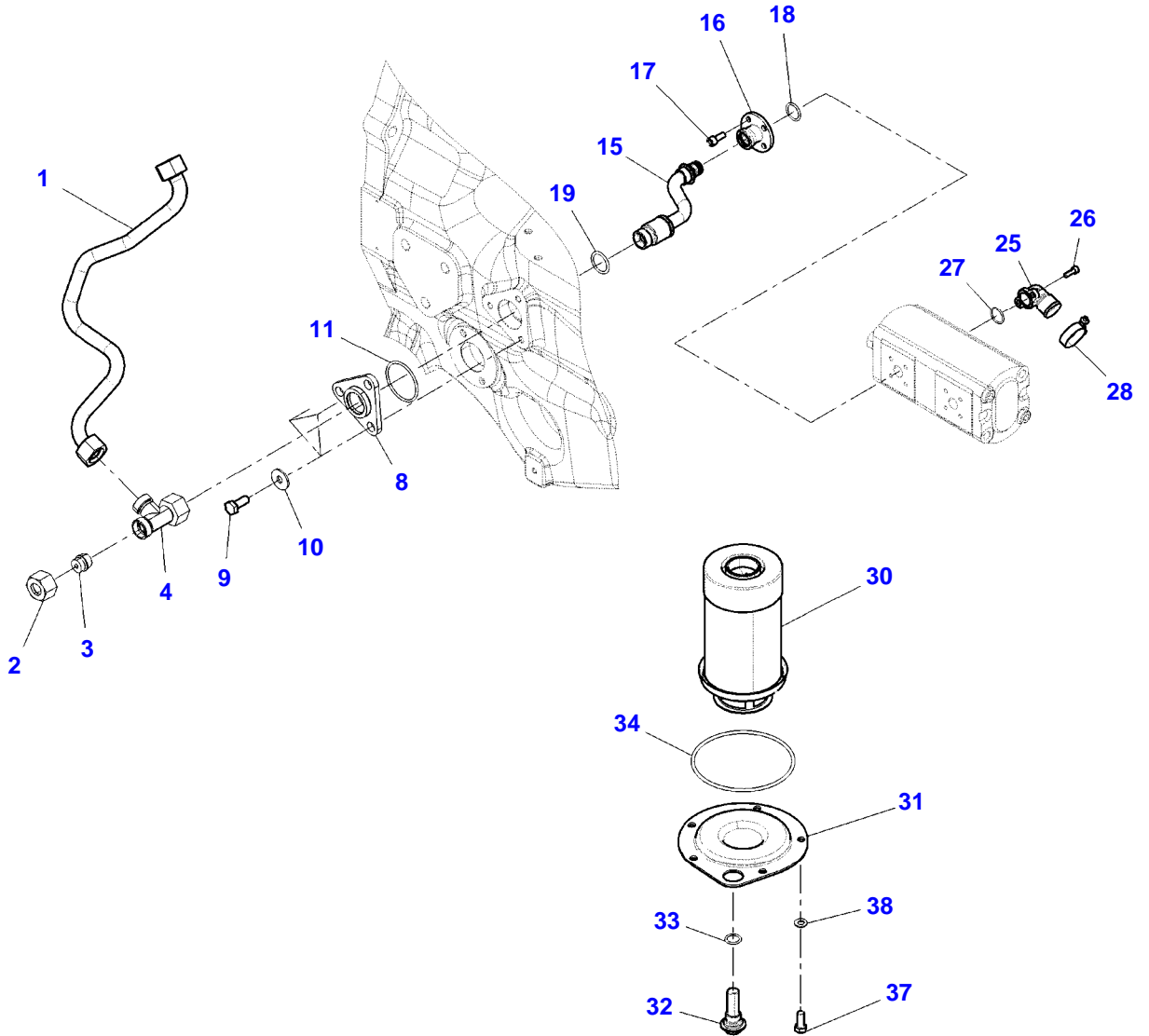
FENDT 207 VARIO S3 (WAM300XXX00F00101-99999)  
18799341-M-1



18799341-M-1

| Item | Part Number | Qty | Description<br>Comments                    | Technical Specification    |
|------|-------------|-----|--|----------------------------|
| 1    | 72311266    | 1   | CLIP                                       |                            |
| 2    | 72628760    | 1   | PIPE,BREATHER                              |                            |
| 3    | 72608905    | 4   | GASKETS                                    | 14X22X1,5                  |
| 7    | 72315631    | 1   | HEXAGONAL HEAD BOLT                        | DIN 933 M6 X 20-8.8A3L     |
| 8    | 72315808    | 2   | BANJO BOLT                                 | DIN 7643-10-3-A3L          |
| 11   | 72315642    | 3   | HEXAGONAL HEAD BOLT                        | DIN 933 M8 X 16-8.8A3L     |
| 12   | 72628772    | 1   | HOLDER                                     |                            |
| 13   | 72474412    | 2   | VENTILATION FILTER<br>INCLUDES ITEMS<br>14 |                            |
| 14   | 72313441    | 1   | O-RING                                     | 18,72X2,62-NBR 70 FWN56402 |
| 15   | 72628831    | 1   | HOLDER                                     |                            |
| 20   | 72629027    | 1   | TUBE                                       |                            |
| 21   | 72427121    | 1   | SCREW                                      | DIN908*VSTIM14X1,5-ED-FPM  |
| 25   | 72425570    | 1   | BOLT                                       |                            |
| 26   | 72427121    | 1   | SCREW                                      | DIN908*VSTIM14X1,5-ED-FPM  |

FENDT 207 VARIO S3 (WAM300XXX00F00101-99999)  
17876367-M-1



17876367-M-1

| Item | Part Number | Qty | Description<br>Comments          | Technical Specification        |
|------|-------------|-----|----------------------------------|--------------------------------|
| 1    | 72628645    | 1   | BOOST PIPE                       |                                |
| 2    | 72313367    | 1   | CONNECTING NUT                   | DIN3870 AL15/M22X1.5-9S20K A3L |
| 3    | 72314781    | 1   | PLUG NECK                        | FWN 65713-15L-A3L              |
| 4    | 72438335    | 1   | ADJUSTABLE L-THREADED CONNECTION |                                |
| 8    | 72441579    | 1   | FLANGE                           |                                |
| 9    | 72315650    | 3   | HEXAGONAL HEAD BOLT              | DIN 933 M8 X 20-8.8A3L         |
| 10   | 72311824    | 3   | DISC                             | DIN9021-8,4-140HV-A3L          |
| 11   | 72376542    | 1   | O-RING                           | 42X2,5-FPM 80-FWN56402         |
| 15   | 72628644    | 1   | BOOST PIPE                       |                                |
| 16   | 72475625    | 1   | COMPRESSION FLANGE               |                                |
| 17   | 72315460    | 4   | SOCKET HEAD BOLT                 | DIN 912 M6X16-8.8              |
| 18   | 72313441    | 1   | O-RING                           | 18,72X2,62-NBR 70 FWN56402     |
| 19   | 72376476    | 1   | O-RING                           | 22X3-NBR 70 FWN56402           |
| 25   | 72475631    | 1   | SUCTION FLANGE                   |                                |
| 26   | 72315463    | 2   | SOCKET HEAD BOLT                 | DIN 912-M6X18-8.8-A3L          |
| 27   | 72313447    | 1   | O-RING                           | 22,3X2,4-NBR 70-FWN56402       |
| 28   | 72311168    | 1   | HOSE CLIP                        |                                |
| 30   | 72436468    | 1   | OIL FILTER ELEMENT               |                                |
| 31   | 72475637    | 1   | COVER<br>INCLUDES ITEMS<br>34    |                                |
| 32   | 72436853    | 1   | SCREW<br>INCLUDES ITEMS<br>33    |                                |
| 33   | 72493820    | 1   | O-RING                           |                                |
| 34   | 72474606    | 1   | O-RING                           |                                |
| 37   | 72315650    | 5   | HEXAGONAL HEAD BOLT              | DIN 933 M8 X 20-8.8A3L         |
| 38   | 72311788    | 5   | DISC                             | DIN 125-8,4-ST.A3L             |

FENDT 207 VARIO S3 (WAM300XXX00F00101-99999)  
AP\_ENGAS\_3CYL

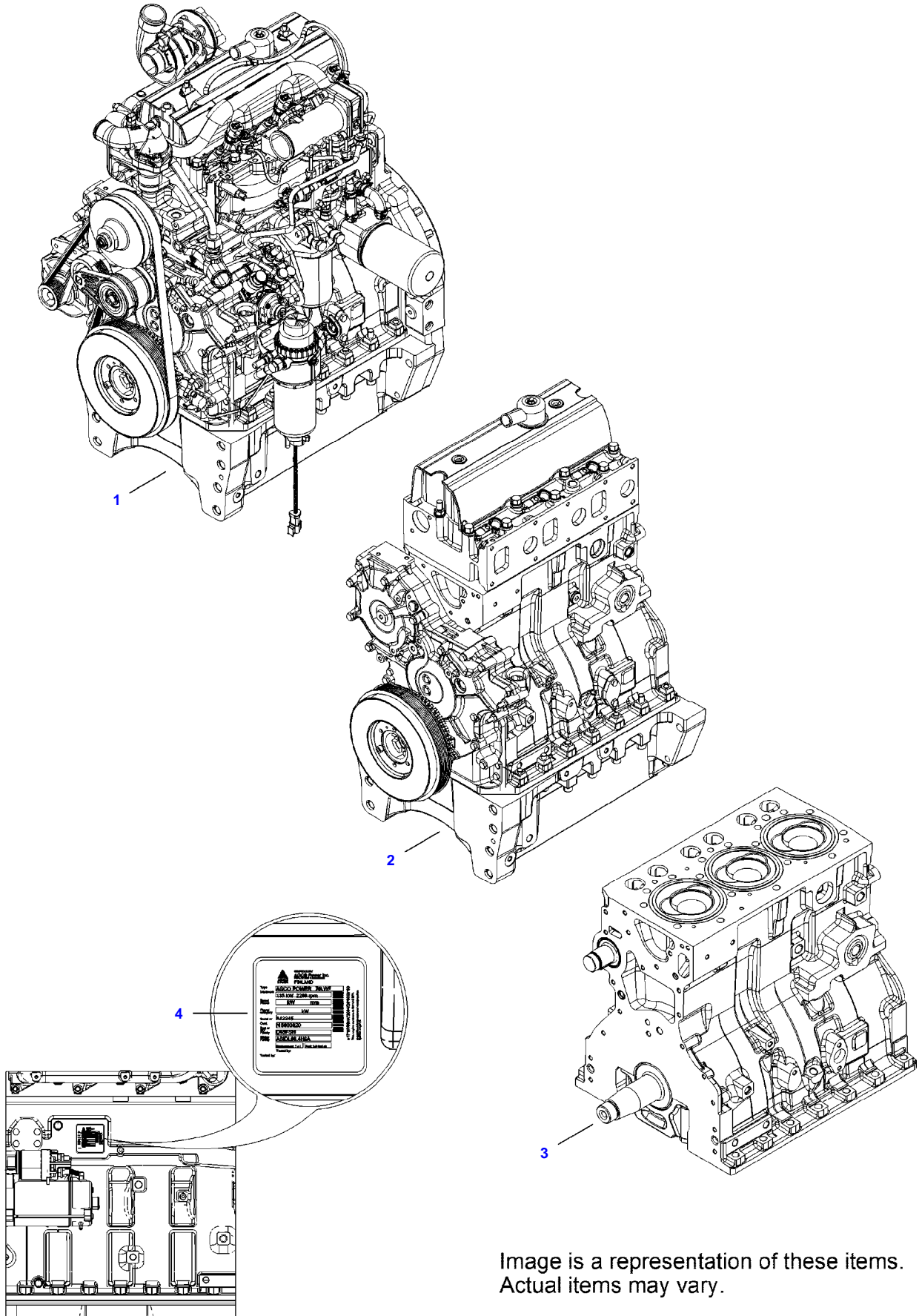
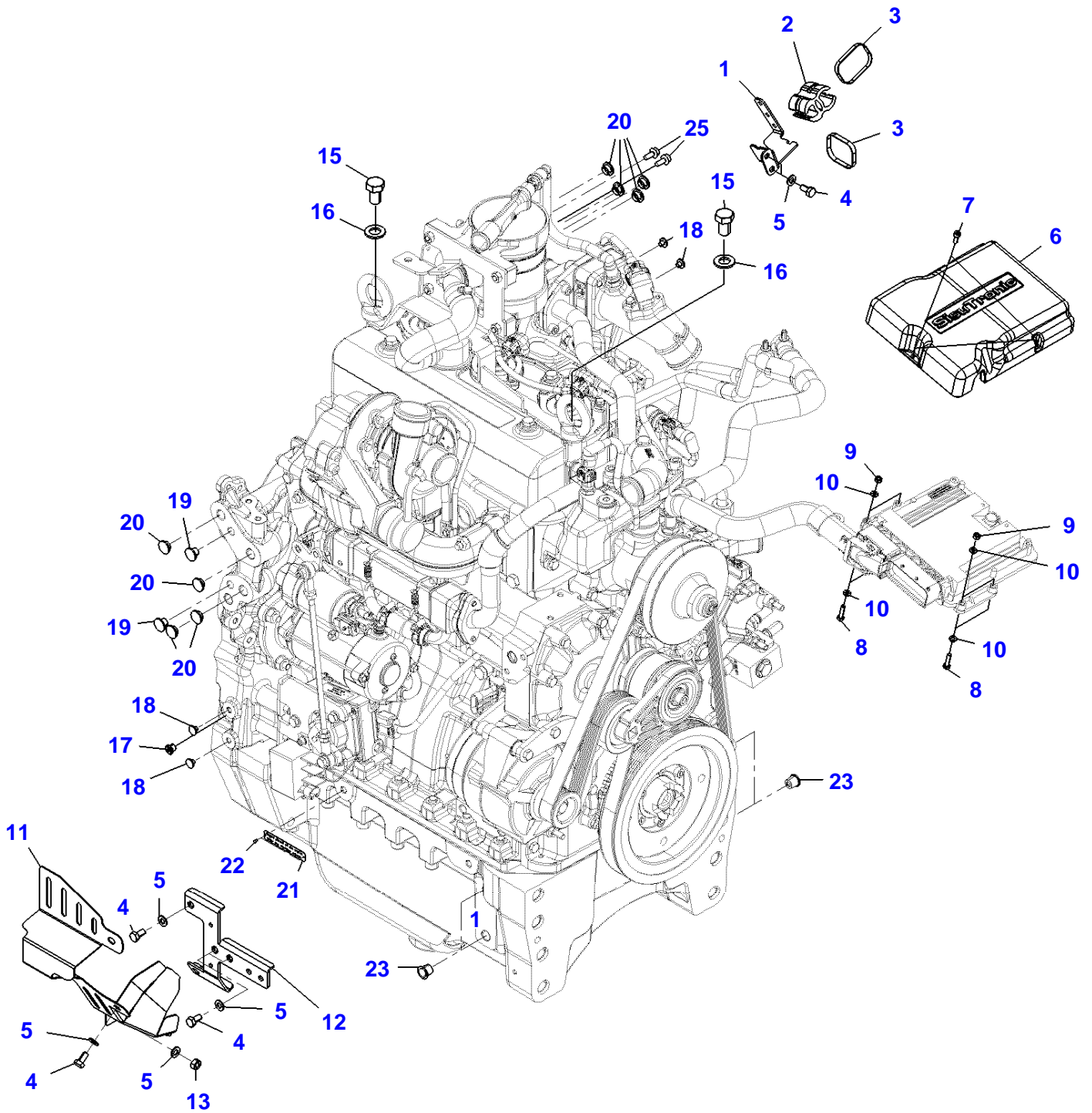


Image is a representation of these items.  
Actual items may vary.

---

| Item | Part Number | Qty | Description<br>Comments    | Technical Specification |
|------|-------------|-----|----------------------------|-------------------------|
| 1    | V834277842  | 1   | ENGINE                     | 33 AWI                  |
| 2    | V864291641V | 1   | LONG BLOCK ENGINE          | 33 AWI                  |
| 3    | V864291642X | 1   | SHORT BLOCK ENGINE         | 33 AWI                  |
| 4    | V837079921  | 1   | LABEL<br>ENGINE TYPE PLATE |                         |

FENDT 207 VARIO S3 (WAM300XXX00F00101-99999)  
18140872-M-3

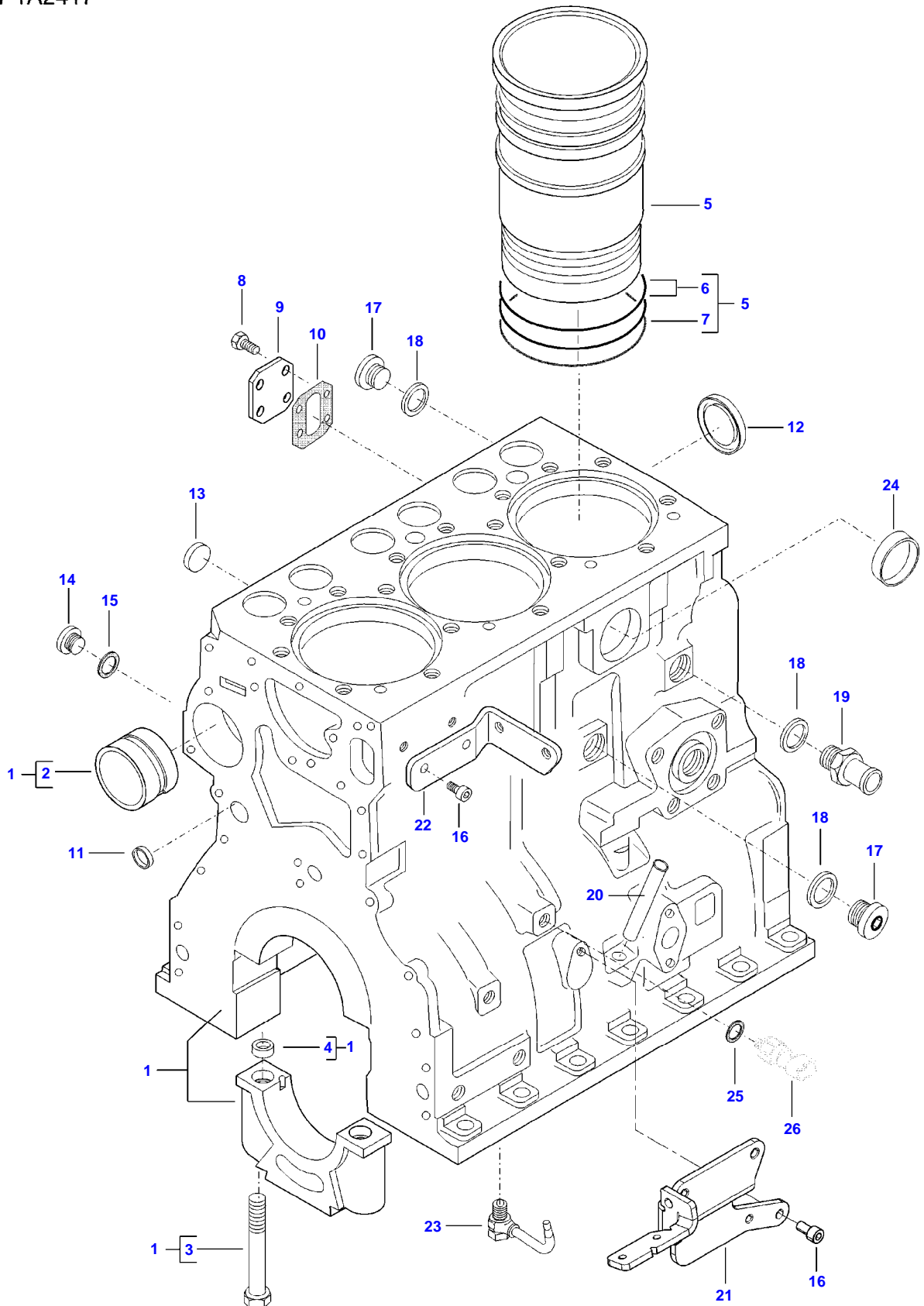


18140872-M-3

| Item | Part Number | Qty | Description<br>Comments | Technical Specification   |
|------|-------------|-----|-------------------------|---------------------------|
| 1    | 72628814    | 1   | HOLDER                  |                           |
| 2    | 72486891    | 1   | HOLDER                  |                           |
| 3    | 72316913    | 2   | CABLE STRAP             | FWN 66650 B360X7,5-SW     |
| 4    | 72315642    | 6   | HEXAGONAL HEAD BOLT     | DIN 933 M8 X 16-8.8A3L    |
| 5    | 72311788    | 7   | DISC                    | DIN 125-8,4-ST.A3L        |
| 6    | 72605912    | 1   | COVERING                | EDC                       |
| 7    | 72612487    | 3   | SOCKET HEAD BOLT        | DIN 912 M6X16-8.8 A3L     |
| 8    | 72315633    | 4   | HEXAGONAL HEAD BOLT     | DIN 933 M6X25-8.8A3L      |
| 9    | 72313266    | 4   | NUT                     | DIN 934 M6-8A3L           |
| 10   | 72311787    | 8   | DISC                    | DIN 125-6,4-ST.A3L        |
| 11   | 72609473    | 1   | COVER                   | RE                        |
| 12   | 72604736    | 1   | RETAINING SHEET METAL   | RE                        |
| 13   | 72313268    | 1   | NUT                     | DIN 934 M8-8A3L           |
| 15   | 72315730    | 2   | HEXAGONAL HEAD BOLT     | DIN 933 M16X25-8.8A3L     |
| 16   | 72311793    | 2   | DISC                    | DIN 125-17-ST.A3L         |
| 17   | 72314744    | 1   | LOCKING PLUG            | F4                        |
| 18   | 72314743    | 4   | LOCKING PLUG            | F2                        |
| 19   | 72314765    | 2   | LOCKING PLUG            |                           |
| 20   | 72314748    | 8   | LOCKING PLUG            | SW-F11                    |
| 21   | 72452403    | 1   | MARKING PLATE           |                           |
| 22   | 72313751    | 2   | SLOTTED PIN             | DIN 1476-3X5-AL           |
| 23   | 72314742    | 4   | PROTECTIVE PLUG         | UNIV.                     |
| 25   | ACW0775830  | 2   | HEXAGON FLANGE BOLT     | EN1665 M8X1.25X20-8 VDA30 |

FENDT 207 VARIO S3 (WAM300XXX00F00101-99999)  
AP1A2417

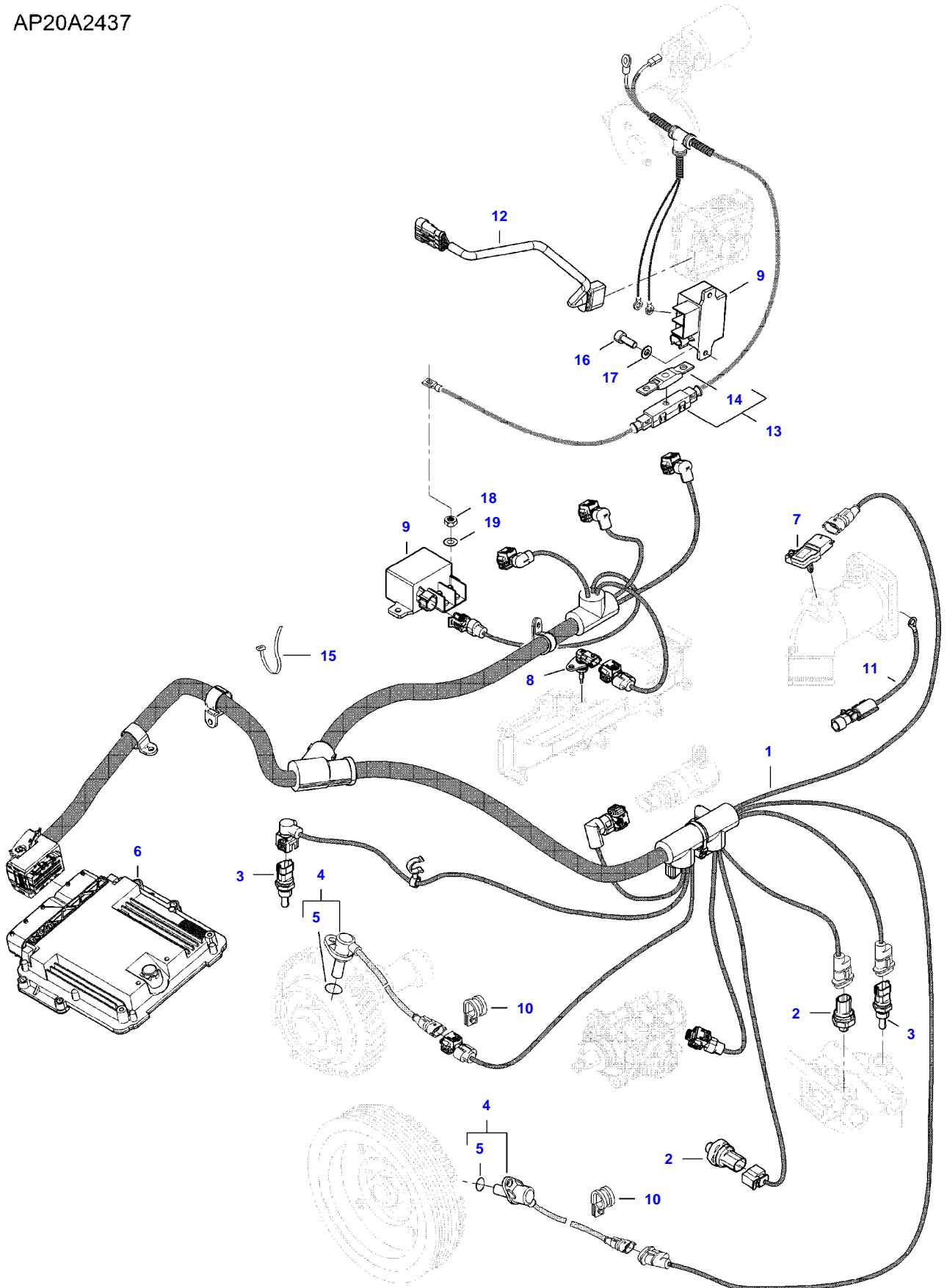
AP1A2417



| Item | Part Number | Qty | Description<br>Comments  |
|------|-------------|-----|--|
| 1    | V837070453  | 1   | CYLINDER BLOCK   |
| 2    | V836866069  | 1   | CAMSHAFT BEARING BUSHING<br>(1)                                  |
| 3    | V835329030  | 8   | HEX CAP SCREW<br>(1)   |
| 4    | V836214478  | 8   | GUIDE SLEEVE<br>(1)  |
| 5    | V836673191  | 3   | LINER  |
| 6    | V836647502  | 6   | CYLINDER LINER O-RING<br>(5)<br>[B]                              |
| 7    | V836647503  | 3   | CYLINDER LINER O-RING<br>(5)<br>[B]                              |
| 8    | V528801362  | 4   | HEX CAP SCREW  |
| 9    | V836866957  | 1   | COVER  |
| 10   | V836866958  | 1   | GASKET<br>[B]  |
| 11   | V640016016  | 4   | CUP PLUG<br>[B]  |
| 12   | V836529872  | 1   | PLUG   |
| 13   | V640016018  | 1   | CUP PLUG   |
| 14   | V640325110  | 3   | SCREW PLUG   |
| 15   | V615871014  | 3   | SEALING WASHER<br>[B]  |
| 16   | V581804580  | 5   | HEX SOCKET SCREW   |
| 17   | V640325018  | 2   | PLUG   |
| 18   | V615881824  | 3   | SEALING WASHER<br>[B]  |
| 19   | V836119837  | 1   | HOSE COUPLER   |
| 20   | V836666910  | 1   | OIL DIPSTICK GUIDE PIPE  |
| 21   | V837086143  | 1   | FUEL FILTER BRACKET  |
| 22   | V837074723  | 1   | BRACKET  |
| 23   | V837074224  | 3   | PISTON COOLING JET   |
| 24   | V640016040  | 1   | CUP PLUG   |
| 25   | V615871016  | 1   | SEALING WASHER<br>[B]  |
| 26   |             | 1   | SEE PAGE 01-0020<br>[B] INCLUDED IN COMPLETE ENGINE GASKET KIT 2 |

FENDT 207 VARIO S3 (WAM300XXX00F00101-99999)  
AP20A2437

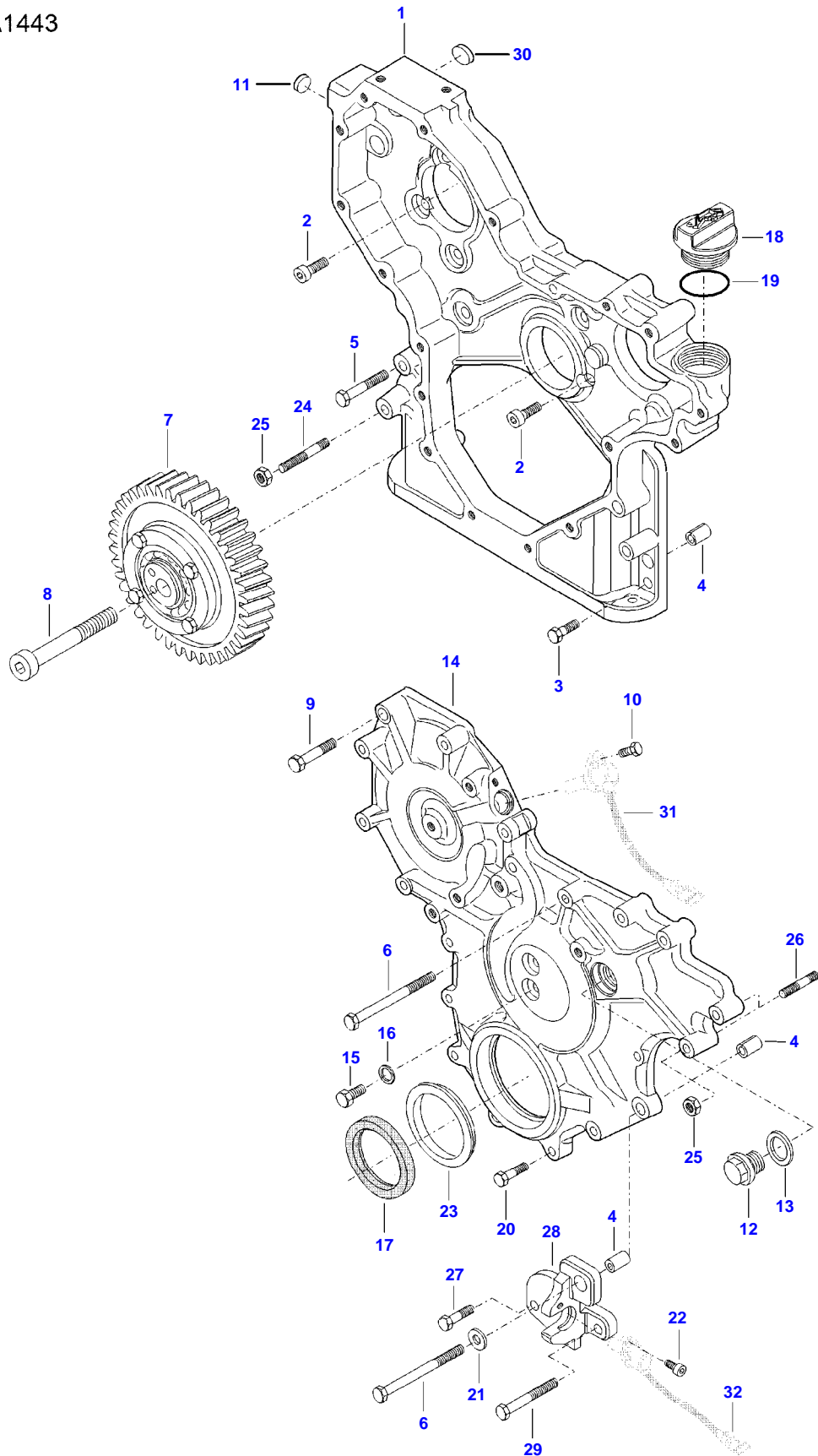
AP20A2437



| Item | Part Number | Qty | Description<br>Comments |
|------|-------------|-----|-------------------------|
| 1    | V837086121  | 1   | ENGINE WIRE HARNESS     |
| 2    | V837070201  | 2   | PRESSURE SENSOR         |
| 3    | V836667732  | 2   | TEMPERATURE SENSOR      |
| 4    | V837070189  | 2   | SPEED SENSOR            |
| 5    | V614601718  | 2   | O-RING<br>(4)           |
| 6    | V837073357  | 1   | ENGINE CONTROL UNIT     |
| 7    | V837073934  | 1   | BOOST PRESSURE SENSOR   |
| 8    | V837074507  | 1   | TEMPERATURE SENSOR      |
| 9    | V837069047  | 2   | RELAY                   |
| 10   | V602060610  | 2   | RETAINER CLAMP          |
| 11   | V837073594  | 1   | WIRE                    |
| 12   | V837073595  | 1   | WIRE                    |
| 13   | V837073596  | 1   | WIRE                    |
| 14   | V836662501  | 1   | FUSE<br>(13)            |
| 15   | V651754720  | 10  | CABLE TIE               |
| 16   | V581804182  | 2   | HEX SOCKET SCREW        |
| 17   | V500150642  | 2   | WASHER                  |
| 18   | V504600602  | 2   | NUT                     |
| 19   | V500050642  | 2   | WASHER                  |

FENDT 207 VARIO S3 (WAM300XXX00F00101-99999)  
AP2A1443

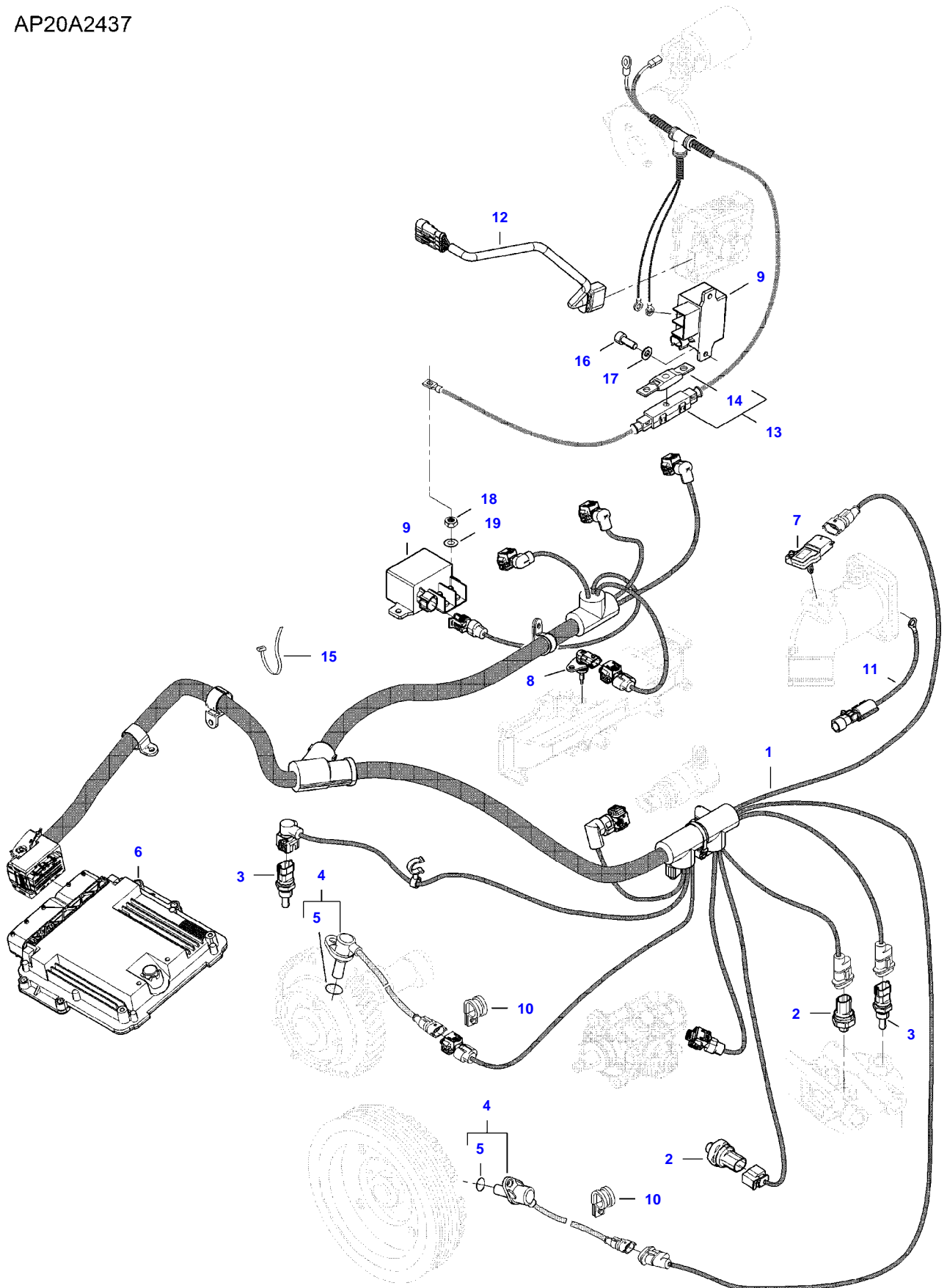
AP2A1443



| Item | Part Number | Qty | Description<br>Comments  |
|------|-------------|-----|--|
| 1    | V837074705  | 1   | TIMING GEAR CASE   |
| 2    | V581704600  | 10  | HEX SOCKET SCREW   |
| 3    | V528801402  | 2   | HEX CAP SCREW  |
| 4    | V598359850  | 3   | PIN  |
| 5    | V529801470  | 2   | HEX CAP SCREW  |
| 6    | V529801540  | 2   | HEX CAP SCREW  |
| 7    | V837073583  | 1   | IDLER GEAR   |
| 8    | V581705910  | 1   | HEX SOCKET SCREW   |
| 9    | V529801440  | 5   | HEX CAP SCREW  |
| 10   | V528801062  | 1   | HEX CAP SCREW  |
| 11   | V640016016  | 1   | CUP PLUG   |
| 12   | V640045022  | 1   | PLUG   |
| 13   | V615882227  | 1   | SEALING WASHER<br>[B]  |
| 14   | V837074707  | 1   | GEAR HOUSING FRONT COVER   |
| 15   | V528801382  | 2   | HEX CAP SCREW  |
| 16   | V615870814  | 2   | SEALING WASHER<br>[B]  |
| 17   | V836840883  | 1   | CRANKSHAFT SEAL<br>[B]   |
| 18   | V837081106  | 1   | OIL FILLER CAP   |
| 19   | V614603540  | 1   | O-RING<br>[B]  |
| 20   | V528801410  | 6   | HEX CAP SCREW  |
| 21   | V836120989  | 1   | WASHER   |
| 22   | V581804182  | 1   | HEX SOCKET SCREW   |
| 23   | V836855636  | 1   | SHIELD   |
| 24   | V546801494  | 1   | STUD BOLT  |
| 25   | V504800800  | 4   | NUT  |
| 26   | V546801452  | 3   | STUD BOLT  |
| 27   | V528801422  | 1   | HEX CAP SCREW  |
| 28   | V837074080  | 1   | BRACKET  |
| 29   | V529801490  | 1   | HEX CAP SCREW  |
| 30   | V640016020  | 1   | CUP PLUG   |
| 31   |             | 1   | SEE PAGE 01-0020   |
| 32   |             | 1   | SEE PAGE 01-0020<br>[B] INCLUDED IN COMPLETE ENGINE GASKET KIT 2 |

FENDT 207 VARIO S3 (WAM300XXX00F00101-99999)  
AP20A2437

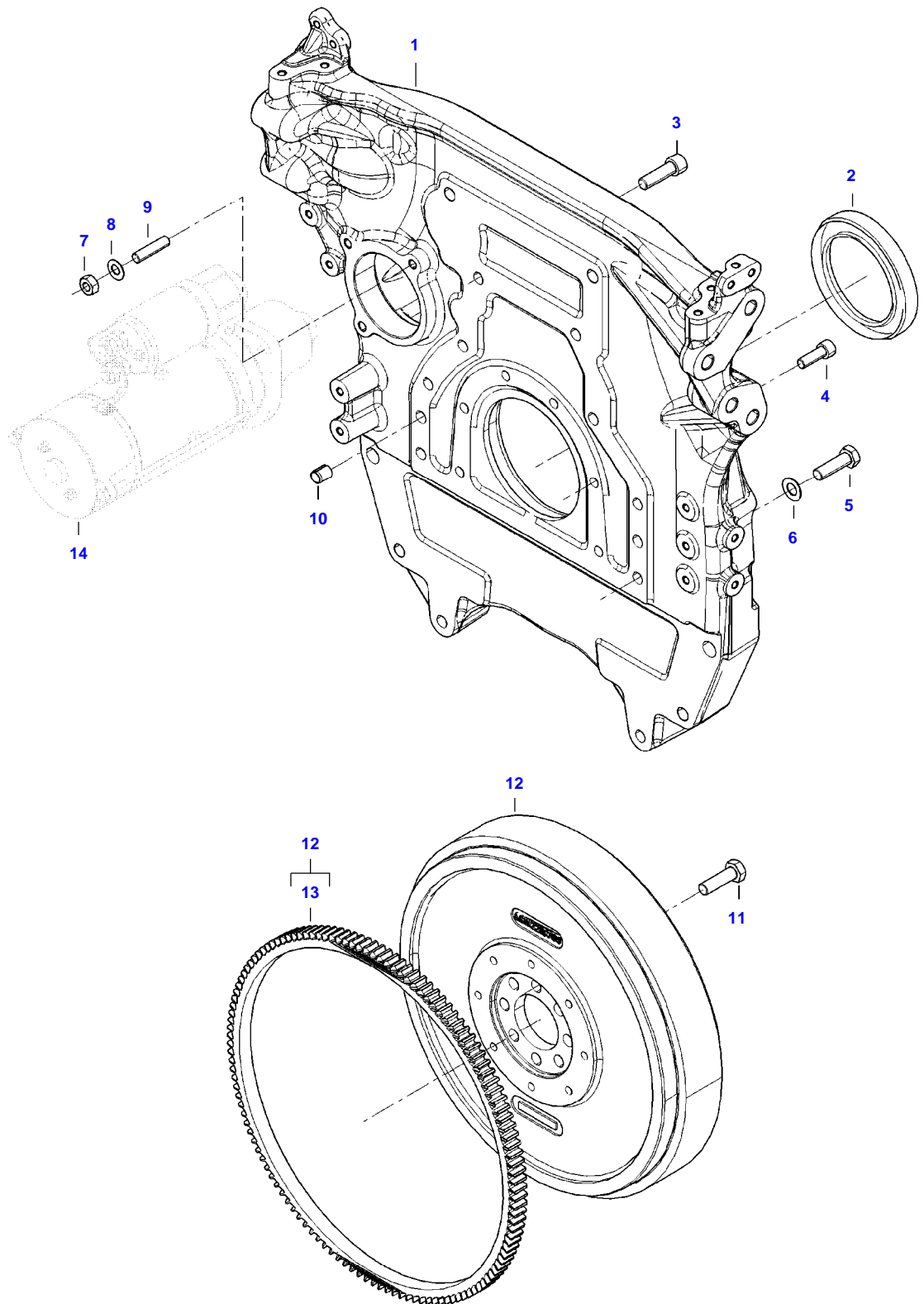
AP20A2437



| Item | Part Number | Qty | Description<br>Comments |
|------|-------------|-----|-------------------------|
| 1    | V837086121  | 1   | ENGINE WIRE HARNESS     |
| 2    | V837070201  | 2   | PRESSURE SENSOR         |
| 3    | V836667732  | 2   | TEMPERATURE SENSOR      |
| 4    | V837070189  | 2   | SPEED SENSOR            |
| 5    | V614601718  | 2   | O-RING<br>(4)           |
| 6    | V837073357  | 1   | ENGINE CONTROL UNIT     |
| 7    | V837073934  | 1   | BOOST PRESSURE SENSOR   |
| 8    | V837074507  | 1   | TEMPERATURE SENSOR      |
| 9    | V837069047  | 2   | RELAY                   |
| 10   | V602060610  | 2   | RETAINER CLAMP          |
| 11   | V837073594  | 1   | WIRE                    |
| 12   | V837073595  | 1   | WIRE                    |
| 13   | V837073596  | 1   | WIRE                    |
| 14   | V836662501  | 1   | FUSE<br>(13)            |
| 15   | V651754720  | 10  | CABLE TIE               |
| 16   | V581804182  | 2   | HEX SOCKET SCREW        |
| 17   | V500150642  | 2   | WASHER                  |
| 18   | V504600602  | 2   | NUT                     |
| 19   | V500050642  | 2   | WASHER                  |

FENDT 207 VARIO S3 (WAM300XXX00F00101-99999)  
AP3A2418

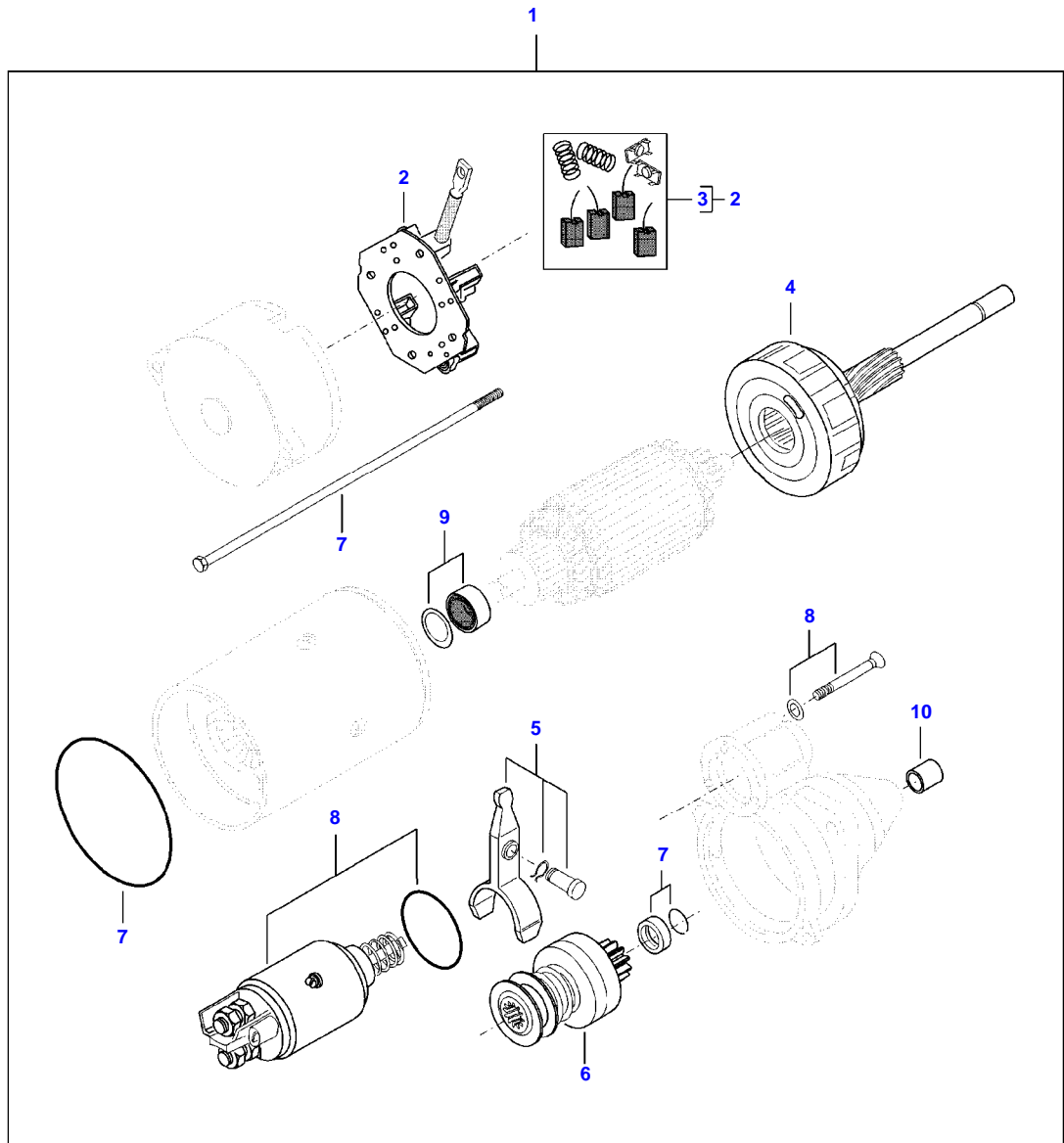
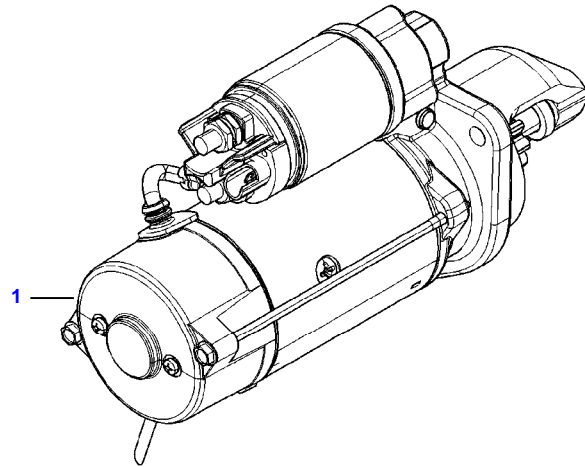
AP3A2418



| Item | Part Number | Qty | Description<br>Comments  |
|------|-------------|-----|--|
| 1    | V837086055  | 1   | FLYWHEEL HOUSING   |
| 2    | V837091172  | 1   | CRANKSHAFT SEAL<br>[B]   |
| 3    | V581705450  | 2   | HEX SOCKET SCREW   |
| 4    | V581705030  | 6   | HEX SOCKET SCREW   |
| 5    | V528702230  | 8   | HEX CAP SCREW  |
| 6    | V500951202  | 8   | SPRING WASHER  |
| 7    | V504601002  | 3   | NUT  |
| 8    | V500951002  | 3   | SPRING WASHER  |
| 9    | V546801810  | 3   | STUD BOLT  |
| 10   | V598359850  | 2   | PIN  |
| 11   | V528702230  | 8   | HEX CAP SCREW  |
| 12   | ACW2215770  | 1   | FLYWHEEL   |
| 13   | V836117970  | 1   | STARTER RING<br>(12)   |
| 14   |             | 1   | SEE PAGE 01-0022<br>[B] INCLUDED IN COMPLETE ENGINE GASKET KIT 2 |

FENDT 207 VARIO S3 (WAM300XXX00F00101-99999)  
AP22D1267

AP22D1267





**Suggest:**

**For more complete manuals. Please go to the home page.**

**<https://www.ebooklibonline.com>**

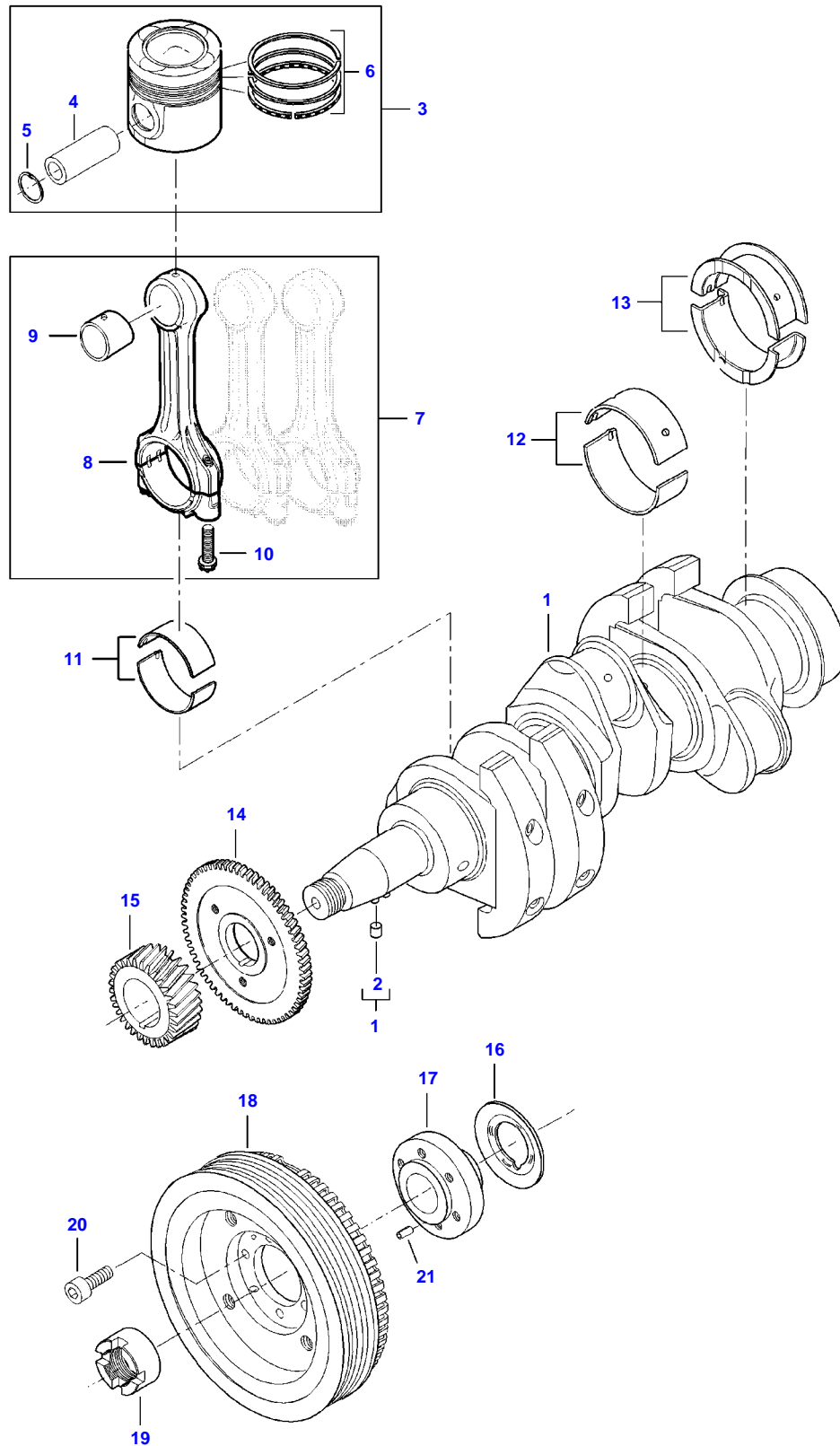
**If the above button click is invalid. Please download this document first, and then click the above link to download the complete manual.**

**Thank you so much for reading**

| Item | Part Number | Qty | Description<br>Comments |
|------|-------------|-----|-------------------------|
| 1    | V836673353  | 1   | STARTER MOTOR           |
| 2    | V836662545  | 1   | KIT,BRUSH HOLDER<br>(1) |
| 3    | V836662546  | 1   | CARBON BRUSH<br>(1),(2) |
| 4    | V836679529  | 1   | GEAR,STARTERMOTR<br>(1) |
| 5    | V836862457  | 1   | LEVER<br>(1)            |
| 6    | V836679528  | 1   | BENDIX DRIVE<br>(1)     |
| 7    | V836679530  | 1   | KIT, MOUNTING<br>(1)    |
| 8    | V836662709  | 1   | STARTER SOLENOID<br>(1) |
| 9    | V836662543  | 1   | BEARING<br>(1)          |
| 10   | V836662095  | 1   | BEARING BUSH<br>(1)     |

FENDT 207 VARIO S3 (WAM300XXX00F00101-99999)  
AP4A2419

AP4A2419



**<https://www.ebooklibonline.com>**

Hello dear friend!

Thank you very much for reading.

Enter the link into your browser.

The full manual is available for immediate download.

**<https://www.ebooklibonline.com>**