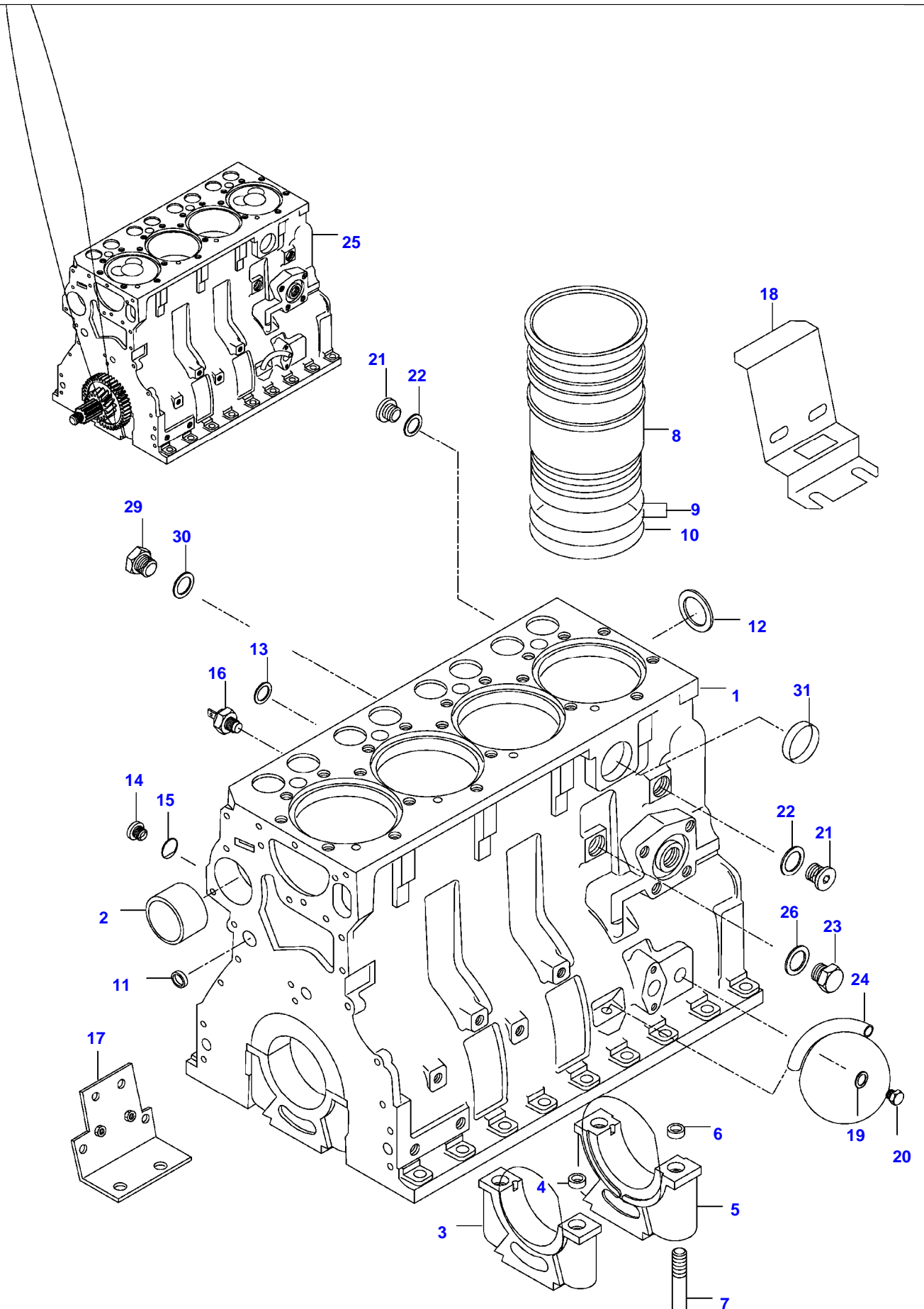


<b>Page Number</b>	<b>Page Title</b>	<b>Page Reference</b>
01-000-TOC	ENGINE, FUEL AND EXHAUST SYSTEM	01-000-TOC
02-000-TOC	AXLES	02-000-TOC
03-000-TOC	STEERING SYSTEM	03-000-TOC
04-000-TOC	DRIVE TRAIN SYSTEM	04-000-TOC
05-000-TOC	BRAKE SYSTEM	05-000-TOC
06-000-TOC	HYDRAULIC SYSTEM	06-000-TOC
07-000-TOC	ELECTRICAL SYSTEM	07-000-TOC
08-000-TOC	CAB	08-000-TOC
09-000-TOC	AIR CONDITIONING AND HEATING SYSTEM	09-000-TOC
10-000-TOC	CHASSIS	10-000-TOC
11-000-TOC	DECALS	11-000-TOC
12-000-TOC	WHEELS	12-000-TOC
13-000-TOC	IMPLEMENT DRIVE SYSTEM	13-000-TOC
14-000-TOC	IMPLEMENT LIFT SYSTEM REAR	14-000-TOC
15-000-TOC	FRONT/REAR LOADERS	15-000-TOC
16-000-TOC	PRECISION FARMING SYSTEMS	16-000-TOC
17-000-TOC	ATTACHMENTS	17-000-TOC
18-000-TOC	GENERAL INFORMATION	18-000-TOC

Page Number	Page Title	Page Reference
01-0001	CYLINDERBLOCK	21-02
01-0002	FLYWHEEL AND HOUSING	21-04
01-0003	CYLINDER HEAD	21-06
01-0004	VALVE MECHANISM	21-08
01-0005	CRANK MECHANISM	21-10
01-0006	GEAR HOUSING	21-12
01-0007	OIL FILTER	21-14
01-0008	OIL SUMP	21-16
01-0009	AIR CLEANER	21-18
01-0010	INTAKE- AND EXHAUST PIPE	21-20
01-0011	MUFFLER	21-22
01-0012	TURBOCHARGER	21-24
01-0013	COLD-STARTING DEVICE	21-26
01-0014	FUEL FILTER	22-02
01-0015	FUEL PIPES	22-04
01-0016	INJECTION PUMP	22-06
01-0017	SPEED LEVERS	22-08
01-0018	SPEED LEVERS	22-08A
01-0019	RADIATOR	23-02
01-0020	COOLANT PUMP	23-04
	-K6506(M)	
01-0021	COOLANT PUMP	23-06
	K6507-(M)	
01-0022	STARTERMOTOR	31-02
01-0023	ALTERNATOR	31-04
01-0024	ALTERNATOR	31-06
01-0025	ALTERNATOR	31-08
01-0026	ALTERNATOR	31-10
01-0027	GASKET SETS	28-02
01-0028	GASKET SETS	28-04
01-0029	ENGINE REPAIR KIT AND BEARING	28-06
01-0030	ADJUSTING PLATE FOR INJECTOR	28-08
01-0031	SHIELD COVER AIR CLEANER (OPTIONAL EQUIPMENT)	29-02
01-0032	ENGINE HEATER (OPTIONAL EQUIPMENT)	39-04

X120 TRACTOR (X SERIES)  
SPIMG-007-21-02



**<https://www.ebooklibonline.com>**

Hello dear friend!

Thank you very much for reading.

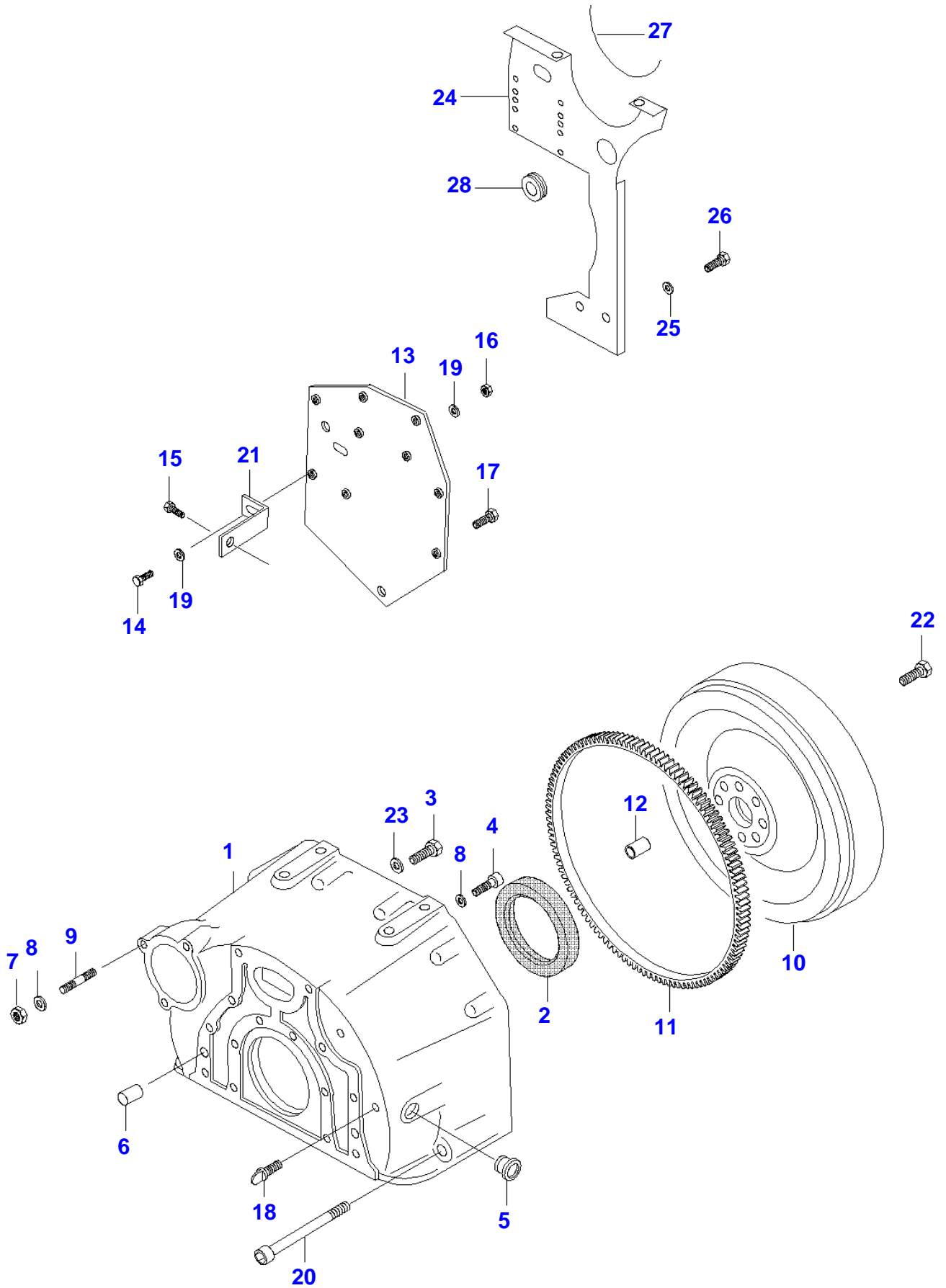
Enter the link into your browser.

The full manual is available for immediate download.

**<https://www.ebooklibonline.com>**

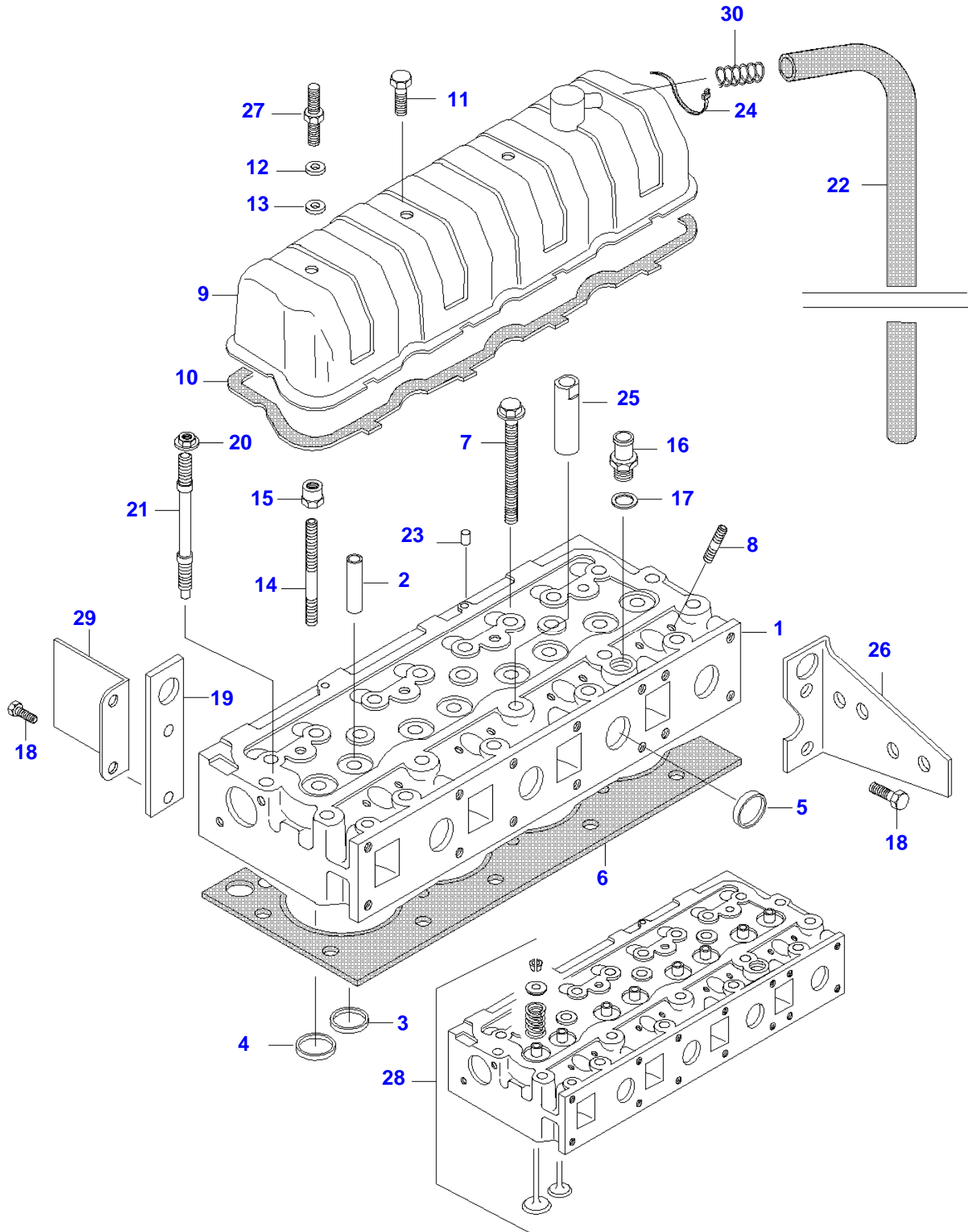
Item	Part Number	Qty	Description Comments	Technical Specification
1	V836747170	1	CYLINDER-BLOCK	
2	V836322610	1	CAMSHAFT BEARING BUSHING	
3	NS	4	NON-SERVICEABLE PART	
4	V836214478	8	BEARING COVER GUIDE SLEEVE	
5	NS	1	NON-SERVICEABLE PART	
6	V836214478	2	BEARING COVER GUIDE SLEEVE	
7	V835329030	10	HEX CAP SCREW	
8	V836647420	4	LINER	
	V836647933		LINER FLANGE S=9.08	FLANGE HEIGHT + 0.05 MM
	V836647934		LINER FLANGE S=9.13	FLANGE HEIGHT + 0.10 MM
	V836647935		LINER FLANGE S=9.23	FLANGE HEIGHT + 0.15 MM
9	V836647502	8	CYLINDER LINER O-RING S2	
10	V836647503	4	CYLINDER LINER O-RING S2	
11	V640016016	4	CUP PLUG	
12	V836529872	1	PLUG	
13	V640016018	1	CUP PLUG	
14	V640325110	2	SCREW PLUG	
15	V615571014	2	SEALING WASHER S2	
16	V887283760	1	PRESSURE SWITCH	
17	V836647927	1	RETAINING PLATE LEFT	
	V836647926	1	RETAINING PLATE RIGHT	
18	V836755844	2	SUPPORT	
19	V615881216	1	SEALING WASHER S2	
20	V640305012	1	PLUG	
21	V640325018	2	PLUG	
22	V615881822	2	SEALING WASHER	
23	V836019756	1	PLUG	
24	V836129747	1	OIL DIPSTICK GUIDE PIPE	
25	V862640001	1	REMANUFACTURED SHORT BLOCK ENGINE 420	
26	V615881824	1	SEALING WASHER S2	
29	V836119079	1	PLUG	
30	V615881620	1	SEALING WASHER	
31	V640016040	1	CUP PLUG	
	V836740280	1	ENGINE GASKET KIT S1	
	V836740974	1	ENGINE GASKET KIT S1+S2	

X120 TRACTOR (X SERIES)  
SPIMG-007-21-04



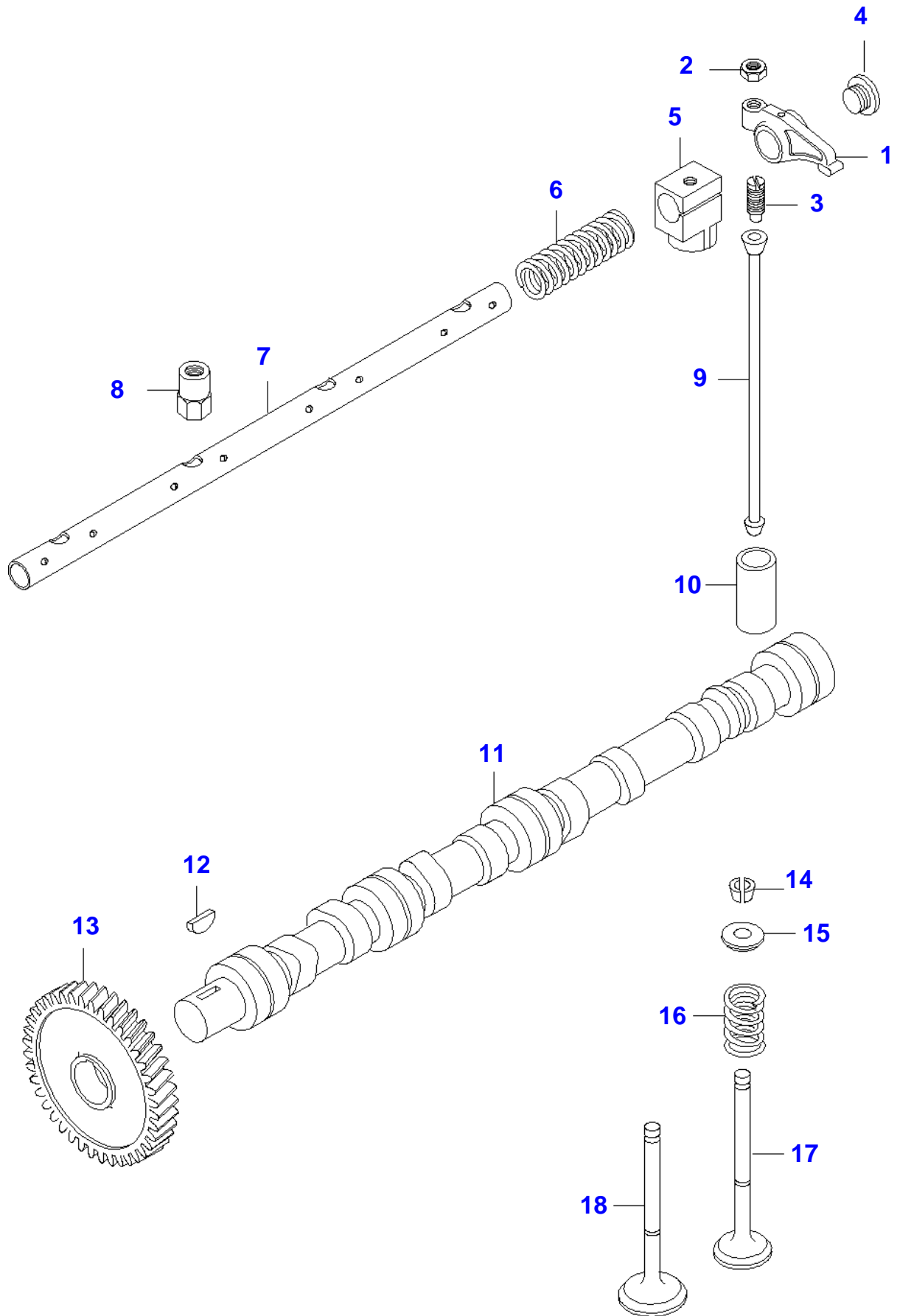
Item	Part Number	Qty	Description Comments	Technical Specification
1	V836647439	1	FLYWHEEL HOUSING	
2	V614500002	1	CRANKSHAFT SEAL S2	
3	V529702220	8	HEX CAP SCREW	
4	V581705030	6	HEX SOCKET SCREW	
5	V836007572	1	RUBBER PLUG	
6	V598359850	2	PIN	
7	V504601000	3	NUT	
8	V500951000	9	SPRING WASHER	
9	V546801800	3	STUD BOLT	
10	V836659990	1	FLYWHEEL SACHS	
	V836759820	1	FLYWHEEL HYDRAULIC CLUTCH	
11	V835328783	1	STARTER RING	
12	V836659527	1	GUIDE SLEEVE	
13	V836759798	1	BRACKET	
14	V528801362	1	HEX CAP SCREW	
15	V528801760	1	HEX CAP SCREW	
16	V504800800	1	NUT	
17	V528802180	1	HEX CAP SCREW	
18	V836859311	1	PLUG	
19	V500150842	2	WASHER	
20	VHC8519	2	HEX SOCKET SCREW	M12 X 140 DIN912 8.8
21	V836755361	1	SUPPORT	
22	V529702250	8	HEX CAP SCREW	
23	V500951200	8	SPRING WASHER	
24	V34172400	1	HOLDER	
25	VJD0408	2	WASHER	M8
26	VHA6322	2	SCREW	M8 X 16 SFS_EN_ISO_4017 8.8
27	V32604200	1	BAND	
28	ACV0799330	1	GROMMET	

X120 TRACTOR (X SERIES)  
SPIMG-007-21-06



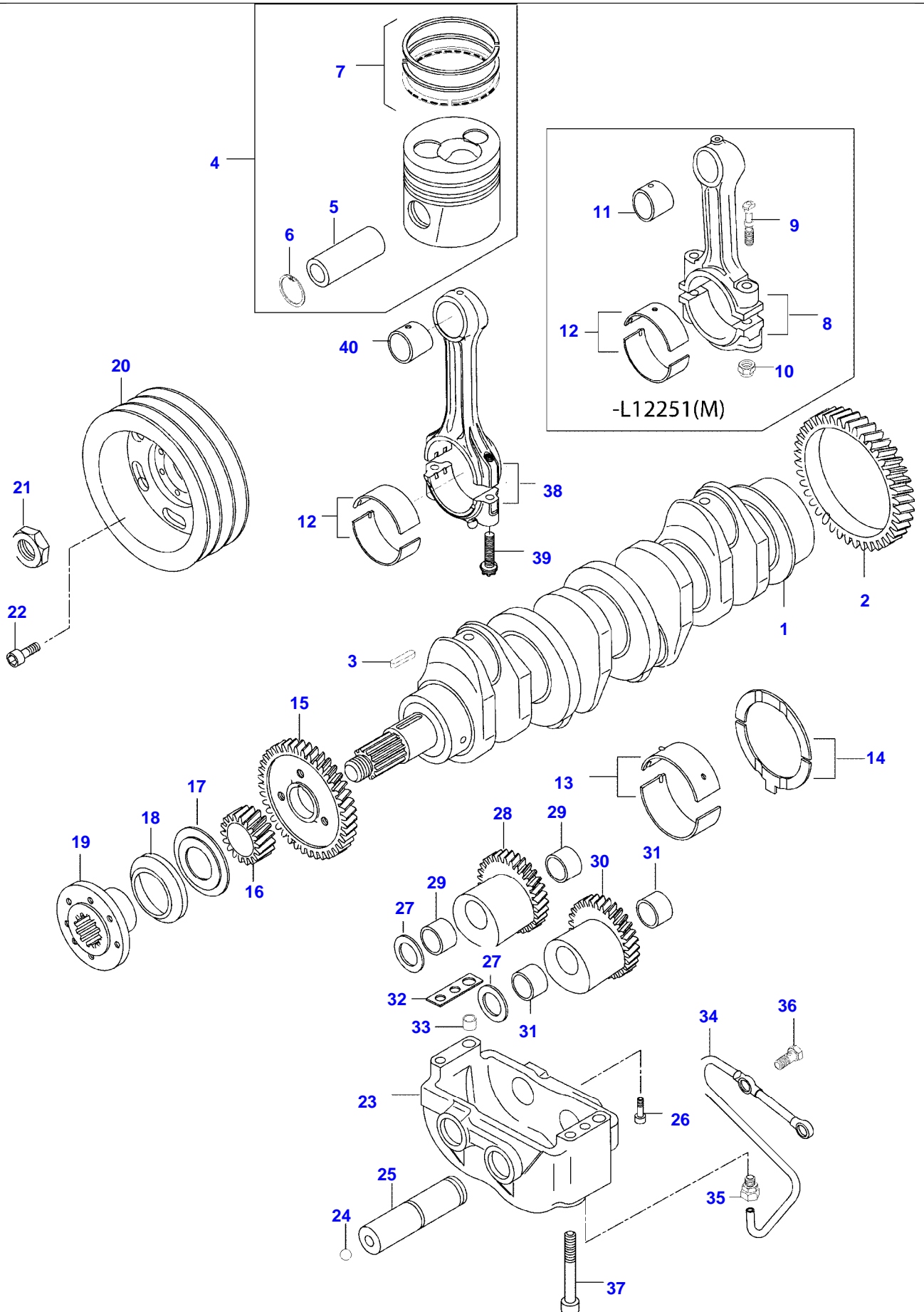
Item	Part Number	Qty	Description Comments
1	V836755385	1	CYLINDER HEAD
2	V836647601	8	GUIDE
3	V836647600	4	VALVE SEAT
4	V836647936	4	EXHAUST VALVE SEAT
5	V836647942	8	INTAKE CUP PLUG
6	V836764156	1	CYLINDER HEAD GASKET S1
7	V836859104	21	HEXAGON FLANGE BOLT
8	V546901435	8	STUD BOLT
9	V836746361	1	VALVE ROCKER COVER
10	V836746362	1	VALVE ROCKER COVER GASKET S1
11	V528801780	3	HEX CAP SCREW
12	V836119855	4	WASHER
13	V836012841	4	RUBBER BUSHING S1
14	V546801900	4	STUD BOLT
15	V836655406	4	SLEEVE NUT
16	V836119837	1	HOSE COUPLER
17	V615881822	1	SEALING WASHER S1
18	V528801800	4	HEX CAP SCREW M10
19	V836855349	1	LIFT EYE
20	V836859110	3	NUT
21	V836859109	3	STUD BOLT
22	V836647814	1	RUBBER HOSE
23	V595959140	2	PIN
24	V835329746	1	CABLE TIE
25	V836647835	1	LIFTING EYE EXTENSION
26	V836759472	1	BRACKET
27	V836659175	1	STUD BOLT
28	V836740869	1	CYLINDER HEAD
29	V836666199	1	HEAT SHIELD
30	V836659103	1	SPRING

X120 TRACTOR (X SERIES)  
SPIMG-007-21-08



Item	Part Number	Qty	Description Comments
	V836755912	1	ROCKER SHAFT ASM
1	V836655873	8	ROCKER ARM
			.
2	V512861000	8	NUT
			..
3	V836655866	8	ADJUSTING SCREW
			..
4	V836655899	2	PLUG
			.
5	V836655869	4	BRACKET
			.
6	V836655884	3	SPRING
			.
7	V836755871	1	SHAFT
			.
8	V836655406	4	SLEEVE NUT
9	V836655867	8	PUSHROD
10	V836014264	8	TAPPET
11	V836746375	1	CAMSHAFT
12	V603305760	1	WOODRUFF KEY
13	V836646389	1	GEAR,CAMSHAFT
14	V836646382	16	COTTER
15	V836646381	8	WASHER
16	V836646380	8	SPRING
17	V836646357	4	EXHAUST VALVE
18	V836646356	4	INTAKE VALVE

X120 TRACTOR (X SERIES)  
SPIMG-007-21-10

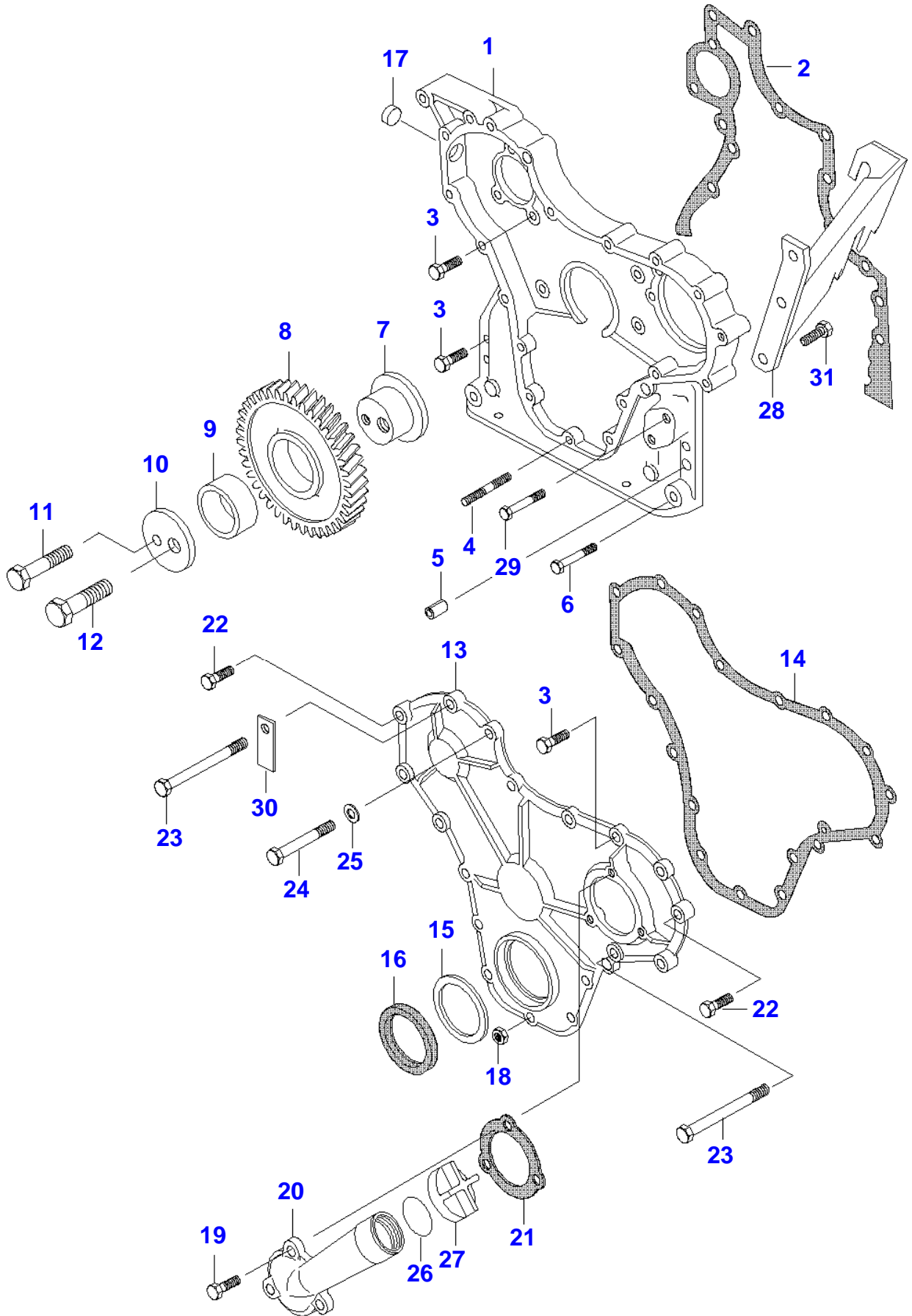


Item	Part Number	Qty	Description Comments	Technical Specification
1	V836747324	1	CRANKSHAFT	
2	V836124524	1	GEAR	
3	V603345110	1	KEY	
4	V836640073	4	PISTON	
5	NS	4	NON-SERVICEABLE PART	
6	NS	8	PISTON PIN NON-SERVICEABLE PART	
7	V836640078	4	CIRCLIP PISTON RING KIT	
8	V836647460	4	CONROD 2150-2169 G X -L12251(M)	
	V836652104		CONROD 2170-2189 G A -L12251(M)	
	V836652105		CONROD 2190-2209 G B -L12251(M)	
	V836652106		CONROD 2210-2229 G C -L12251(M)	
	V836652107		CONROD 2230-2249 G D -L12251(M)	
	V836652108		CONROD 2250-2269 G E -L12251(M)	
	V836652109		CONROD 2270-2289 G H -L12251(M)	
	V836652110		CONROD 2290-2309 G I -L12251(M)	
	V836652111		CONROD 2310-2329 G J -L12251(M)	
	V836652112		CONROD 2330-2349 G K -L12251(M)	
	V836652113		CONROD 2350-2369 G L -L12251(M)	
	V836652114		CONROD 2370-2389 G M -L12251(M)	
	V836652115		CONROD 2390-2409 G N -L12251(M)	
	V836652116		CONROD 2410-2429 G O -L12251(M)	
	V836652117		CONROD 2430-2449 G P -L12251(M)	
	V836652118		CONROD 2450-2469 G R -L12251(M)	
	V836652119		CONROD 2470-2489 G S -L12251(M)	

Item	Part Number	Qty	Description Comments	Technical Specification
	V836652120		CONROD 2490-2509 G T -L12251(M)	
	V836652121		CONROD 2510-2529 G U -L12251(M)	
38	V836666430		CONROD 1935-1954 G F L12252-(M)	
	V836666431		CONROD 1955-1974 G V L12252-(M)	
	V836666432		CONROD 1975-1994 G X L12252-(M)	
	V836666433		CONROD 1995-2014 G Y L12252-(M)	
	V836666434		CONROD 2015-2034 G W L12252-(M)	
	V836666435		CONROD 2035-2054 G Z L12252-(M)	
	V836666436		CONROD 2055-2074 G G L12252-(M)	
9	V836646204	8	CONNECTING ROD BOLT . -L12251(M)	
39	V836864141	8	CONNECTING ROD BOLT . L12252-(M)	
10	V836646205	8	NUT . -L12251(M)	
11	V836646271	4	BEARING BUSH . -L12251(M)	
40	V836110646	4	BEARING BUSH . L12252-(M)	STD
12	V836110552	4	BEARING SHELL SEE PAGE 01-0029	
13	V836655514	5	MAIN BEARING SEE PAGE 01-0029	
14	V836119459	2	THRUST WASHER SEE PAGE 01-0029	
15	V836119550	1	GEAR,CRANKSHAFT	
16	V836122840	1	GEAR,CRANKSHAFT	
17	V836129781	1	RING	
18	V836136271	1	SHIELD	
19	V836846463	1	CRANKSHAFT HUB	
20	V836655534	1	CRANKSHAFT V-BELT PULLEY	
21	V836647310	1	CRANKSHAFT NUT	
22	V581804600	6	HEX SOCKET SCREW	
23	V836747349	1	BALANCER -L10351 (M)	
	V836766123	1	COUNTERWEIGHT L10352- (M)	
24	V616810103	2	BALL .	
25	V836146879	2	SHAFT .	
26	V581804200	2	HEX SOCKET SCREW .	

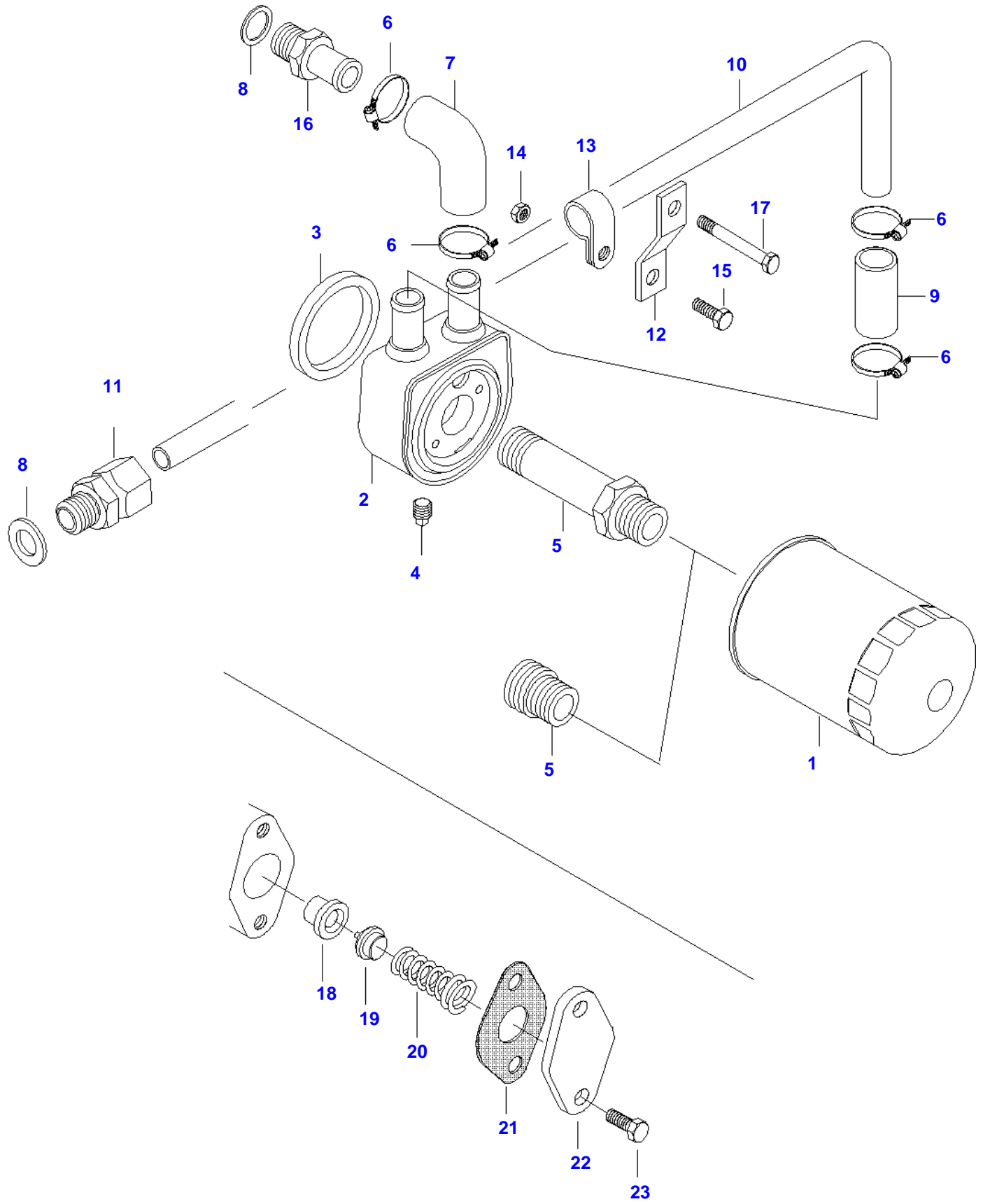
Item	Part Number	Qty	Description Comments	Technical Specification
27	V836146880	4	THRUST WASHER	
28	V836146877	1	GEAR	
	V836766121	1	COUNTERWEIGHT	
29	V836146876	2	BEARING BUSH	
30	V836146878	1	GEAR	
	V836766122	1	COUNTERWEIGHT	
31	V836146876	2	BEARING BUSH	
32	V836119920		SHIM	
33	V598359850	2	PIN	
34	V836747298	1	OIL PIPE	
35	V641016008	1	STRAIGHT FITTING	
36	V640435008	2	BANJO BOLT	
37	V581805170	4	HEX SOCKET SCREW	

X120 TRACTOR (X SERIES)  
SPIMG-007-21-12



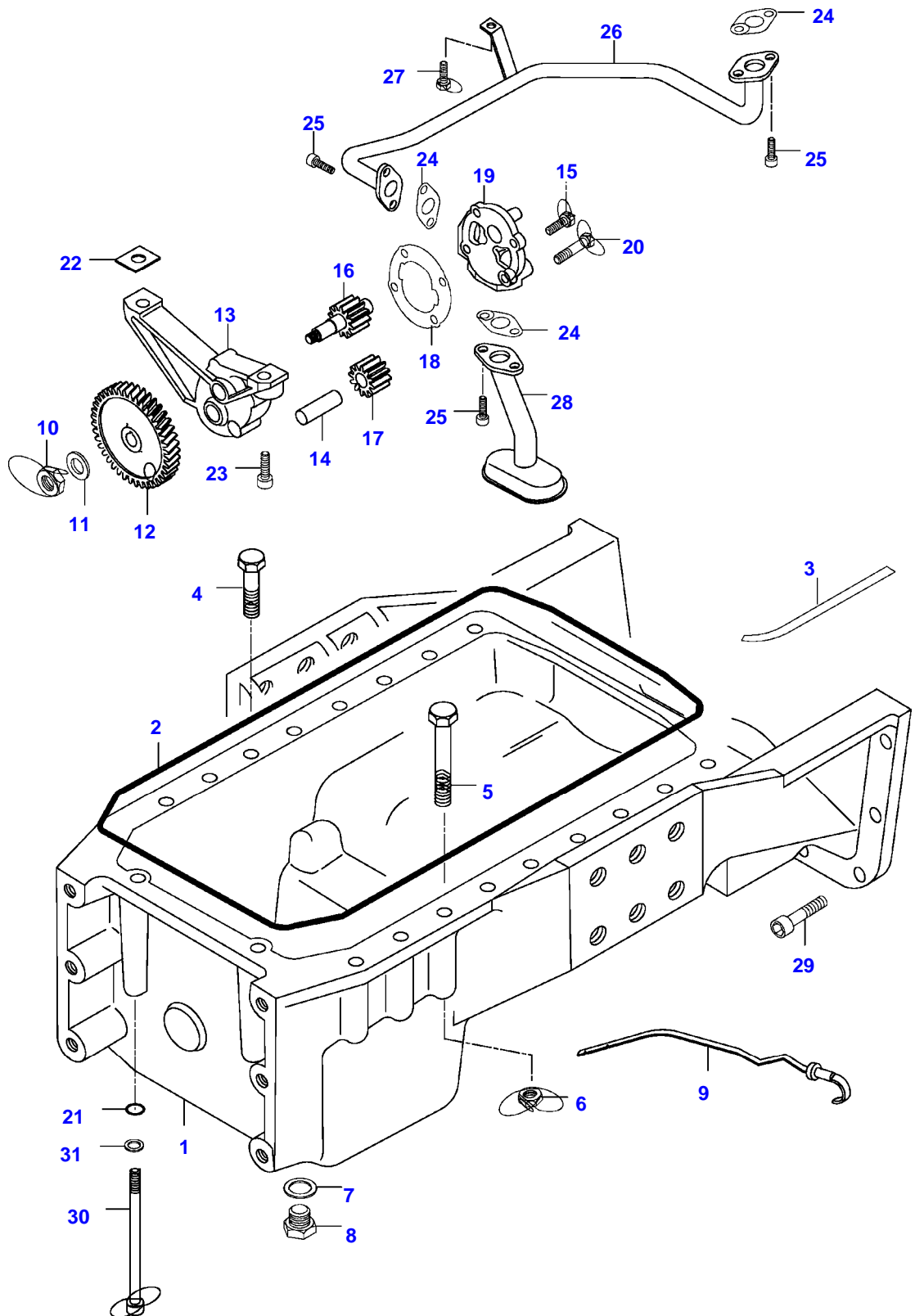
Item	Part Number	Qty	Description Comments
1	V836647865	1	TIMING GEAR CASE
2	V836647419	1	GASKET S2
3	V528801400	11	HEX CAP SCREW
4	V546801380	4	STUD BOLT
5	V598359850	4	PIN
6	V529801440	2	HEX CAP SCREW
7	V836129709	1	SHAFT
8	V836129863	1	IDLER GEAR
9	V836129844	1	BEARING BUSH
10	V836129845	1	FLANGE
11	V528801860	1	HEX CAP SCREW
12	V529902680	1	HEX CAP SCREW
13	V836647572	1	GEAR HOUSING FRONT COVER
14	V836129942	1	GASKET S2
15	V836129782	1	COVER
16	V614105880	1	OIL SEAL S2
17	V640016016	1	CUP PLUG
18	V504800800	5	NUT
19	V528801380	3	HEX CAP SCREW
20	V836746921	1	PIPE
21	V836129946	1	GASKET S2
22	V528801420	4	HEX CAP SCREW
23	V529801500	2	HEX CAP SCREW
24	V529801470	3	HEX CAP SCREW
25	V836120989	1	WASHER
26	V614604740	1	O-RING S2
27	V836338733	1	OIL FILLER CAP
28	V836659804	1	THROTTLE SENSOR BRACKET -K14472 (M)
	V836664528	1	THROTTLE SENSOR BRACKET K14473- (M)
29	V529801450	1	HEX CAP SCREW
30	V836083428	2	CABLE TIE
31	V528801362	2	HEX CAP SCREW

X120 TRACTOR (X SERIES)  
SPIMG-007-21-14



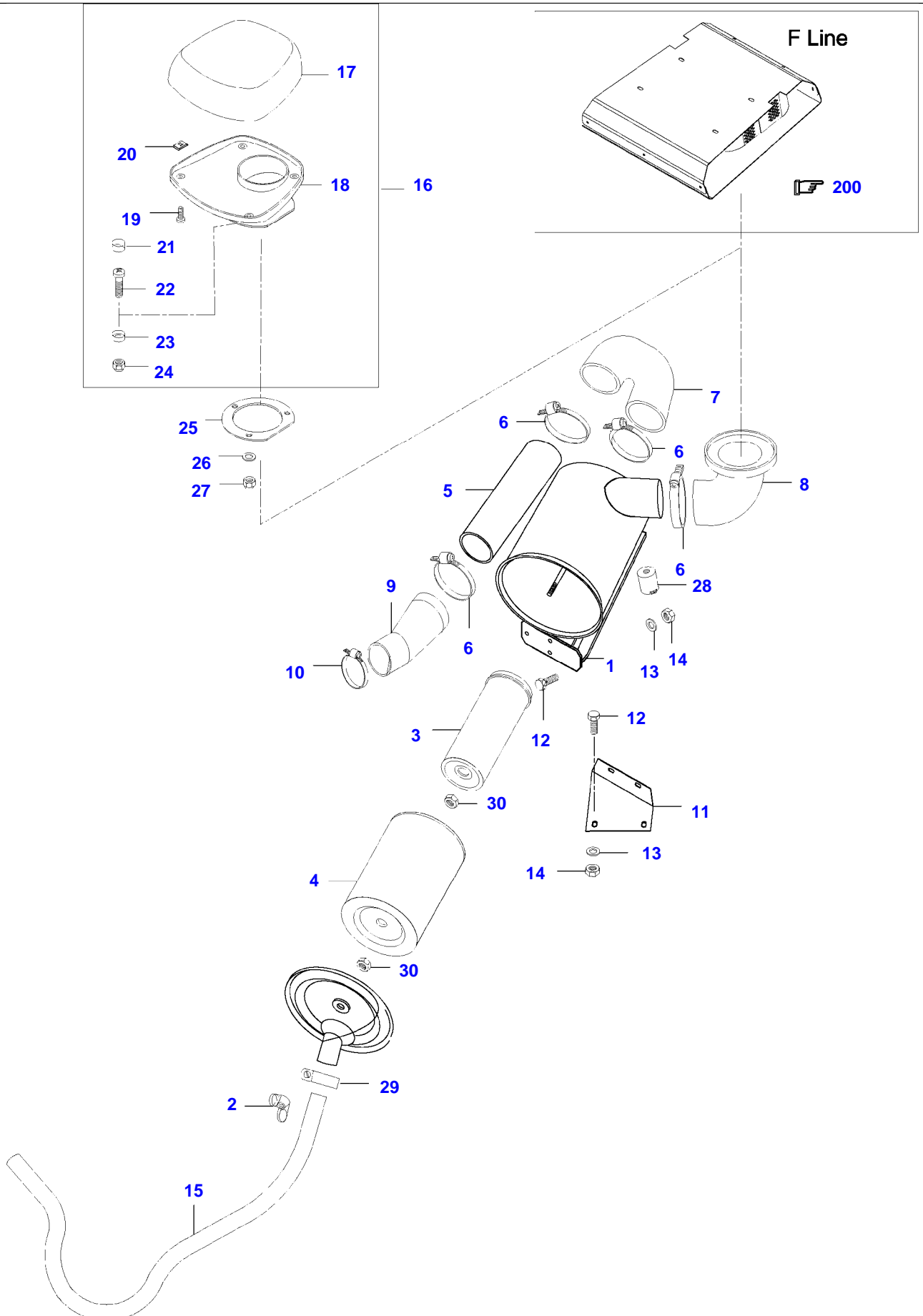
Item	Part Number	Qty	Description Comments
1	V20147133	1	OIL FILTER
2	V836129315	1	OIL COOLER
3	V835331586	1	SEALING WASHER
			.
4	V836131366	1	PLUG
			.
5	V836647405	1	UNION
6	V602079516	4	HOSE CLIP
7	V836747124	1	RUBBER ELBOW
8	V615881822	2	SEALING WASHER S2
9	V836129978	1	RUBBER HOSE
10	V836747848	1	PIPE
11	V641086015	1	STRAIGHT FITTING
12	V836747849	1	SUPPORT
13	V602060615	1	RETAINER CLAMP
14	V504800800	1	NUT
15	V528801380	1	HEX CAP SCREW
16	V836119837	1	HOSE COUPLER
17	V528801410	1	HEX CAP SCREW
	V836662129	1	OIL PRESSURE CONTROL VALVE ASSEMBLY
18	V836659521	1	VALVE SEAT
			.
19	V836659522	1	VALVE CONE
			.
20	V836659523	1	SPRING
			.
21	V836322190	1	GASKET
			.
			S2
22	V836659524	1	COVER
			.
23	V528801380	2	HEX CAP SCREW
			.
			M8X20

X120 TRACTOR (X SERIES)  
SPIMG-007-21-16



Item	Part Number	Qty	Description Comments	Technical Specification
1	V836146460	1	OIL SUMP	
2	V614756944	1	O-RING S2	
3	V836129727	2	GASKET S2	
4	V529702270	11	HEX CAP SCREW	
5	V529902390	7	HEX CAP SCREW	
6	V504801200	18	NUT	
7	V615881827	1	SEALING WASHER S2	
8	V836655493	1	PLUG	
9	V836129939	1	DIPSTICK	
	V836652605	1	LUBRICATING OIL PUMP	
10	V504861000	1	NUT	
11	V836122910	1	WASHER	
12	V836338667	1	GEAR	
13	V836120195	1	HOUSING	
14	V836120191	1	OIL PUMP SHAFT	
15	V528801380	2	HEX CAP SCREW	
16	V836652600	1	OIL PUMP SHAFT	
17	V836120193	1	GEAR	
18	V836119796	1	GASKET S2	
19	V836129412	1	COVER	
20	V529801440	2	HEX CAP SCREW	
21	V614600824	2	O-RING	
22	V836007871		SHIM	
23	V581805050	2	HEX SOCKET SCREW	
24	V836008449	3	GASKET S2	
25	V581804600	6	HEX SOCKET SCREW	
26	V836747561	1	KIT, PIPE	
27	V528801760	1	HEX CAP SCREW	
28	V836138033	1	AIR PIPE	
29	VHC9757	8	HEX SOCKET SCREW	M12 X 45 SFS_EN_ISO_4762 8.8
30	V581704800	2	HEX SOCKET SCREW	
31	V836120989	2	WASHER	

X120 TRACTOR (X SERIES)  
SPIMG-007-21-18



Item	Part Number	Qty	Description Comments	Technical Specification
	V33057500	1	AIR FILTER ASSEMBLY -K23221	D=225
	V33057510	1	AIR FILTER ASSEMBLY K23222-	D=225
1	NS	1	NON-SERVICEABLE PART . HOUSING	
30	VJB8905	2	LOCKNUT	M10 SFS_EN_ISO_10511
2	VJC1610	1	BLADE NUT	M10 DIN315 G5 ZNE
3	V20228410	1	FILTER ELEMENT	D=85 L=370
4	V20228310	1	AIR FILTER	D=165 L=380
5	V33031600	1	TUBE	
6	VGP3933	4	HOSE CLIP	D=95 SMS2298
7	V33031900	1	CURVED RUBBER	
8	V33032100	1	CURVED RUBBER	
9	V32999400	1	TUBE	
10	VGP3942	1	HOSE CLIP	D=75 SMS2298
11	V32952300	1	CARRIER	
12	VHA6323	7	SCREW	M8 X 20 CL8.8
13	VJD0408	7	WASHER	M8
14	VJB8904	7	NUT	M8
15	V33032800	1	HOSE	L=1250
16	V33042610	1	COVER ASSEMBLY	
17	V33051700	1	COVER	
18	V33045910	1	BOTTOM	
19	VHN6646	4	SCREW	B 4.8 X 13 SFS-ISO_7049
20	VJC9001	4	NUT	B 4.8 SFS:EN_ISO_1478
21	V32604400	3	CUP	M6
22	VHA6313	3	SCREW	M6 X 16 ISO 8.8
23	V32667000	3	RING WASHER	M6
24	VJB1106	3	NUT	M6 SFS-EN_ISO_4032
25	V33052610	1	GASKET	
26	VJD0406	3	WASHER	6.4 X 1.6 SFS-EN_ISO_7089
27	VJB8903	3	LOCKNUT	M6 SFS_EN_ISO_7042
28	V33389600	1	SENSOR	6.5 KPA
29	VGP3923	2	HOSE CLIP	D=44 SMS2298
200			SEE PAGE 10-0007	



**Suggest:**

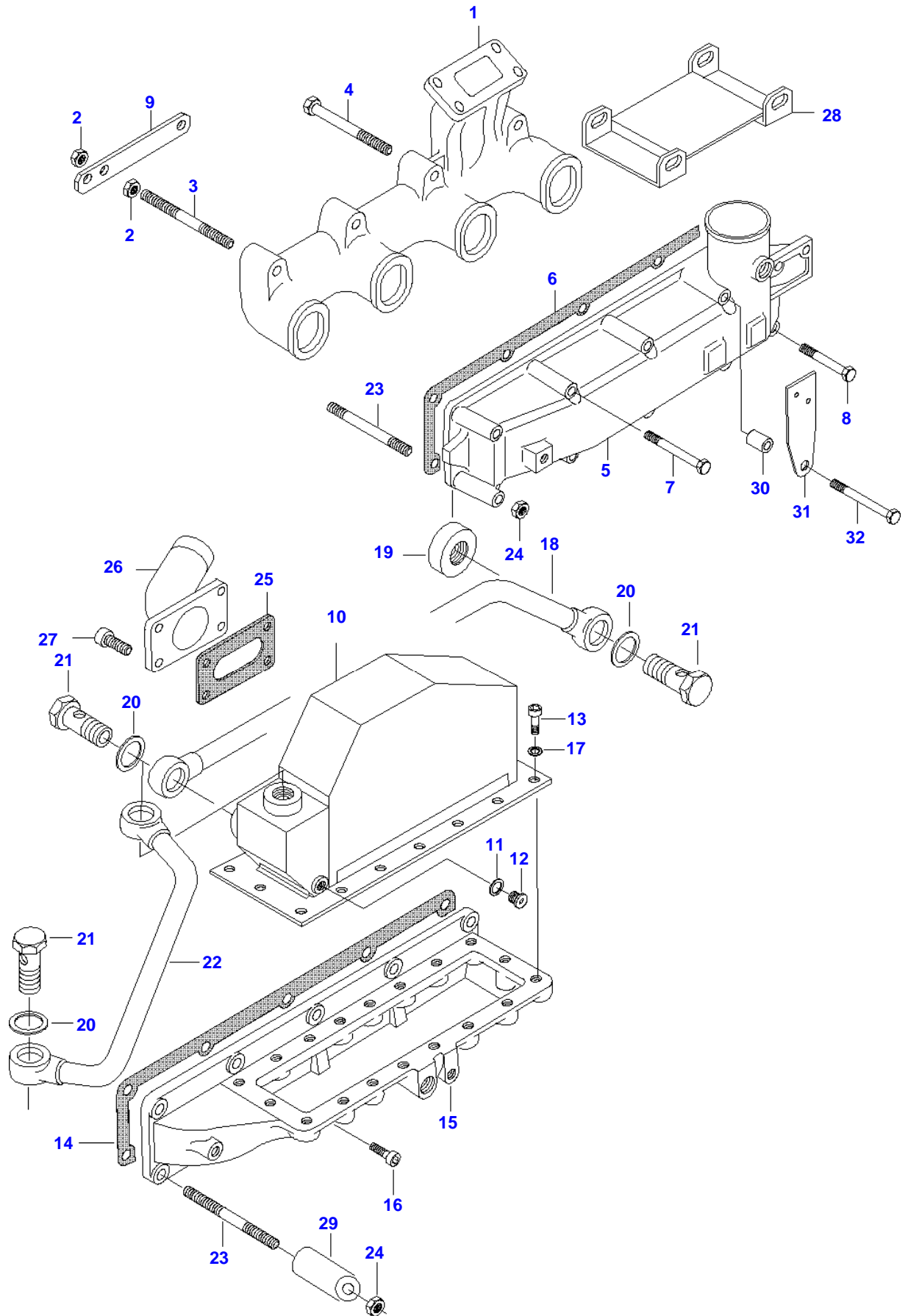
**For more complete manuals. Please go to the home page.**

**<https://www.ebooklibonline.com>**

**If the above button click is invalid. Please download this document first, and then click the above link to download the complete manual.**

**Thank you so much for reading**

X120 TRACTOR (X SERIES)  
SPIMG-007-21-20



Item	Part Number	Qty	Description Comments
1	V836747524	1	EXHAUST MANIFOLD
2	V504601000	5	NUT
3	V546801960	3	STUD BOLT
4	V529801950	5	HEX CAP SCREW
6	V836747595	1	INTAKE MANIFOLD GASKET S1
7	V529801490	9	HEX CAP SCREW
8	V529801470	1	HEX CAP SCREW
9	V836755027	1	RETAINING PLATE
10	V836759176	1	INTERCOOLER
11	V615571014	1	SEALING WASHER
12	V640325110	1	SCREW PLUG
13	V581804580	18	HEX SOCKET SCREW
14	V836747595	1	INTAKE MANIFOLD GASKET S1
15	V836755551	1	INTAKE MANIFOLD
16	V581804600	9	HEX SOCKET SCREW
17	V500950800	18	SPRING WASHER
18	V836755848	1	PIPE
19	V836138982	1	PLUG
20	V615882227	8	SEALING WASHER
21	V640435018	4	BANJO BOLT
22	V836755847	1	PIPE
23	V546801510	1	STUD BOLT
24	V504800800	1	NUT
25	V836138975	1	GASKET S1
26	V836752138	1	PIPE
27	V581804620	4	HEX SOCKET SCREW
28	V836655735	1	HEAT SHIELD
29	V836659492	1	SPACER PIECE

**<https://www.ebooklibonline.com>**

Hello dear friend!

Thank you very much for reading.

Enter the link into your browser.

The full manual is available for immediate download.

**<https://www.ebooklibonline.com>**