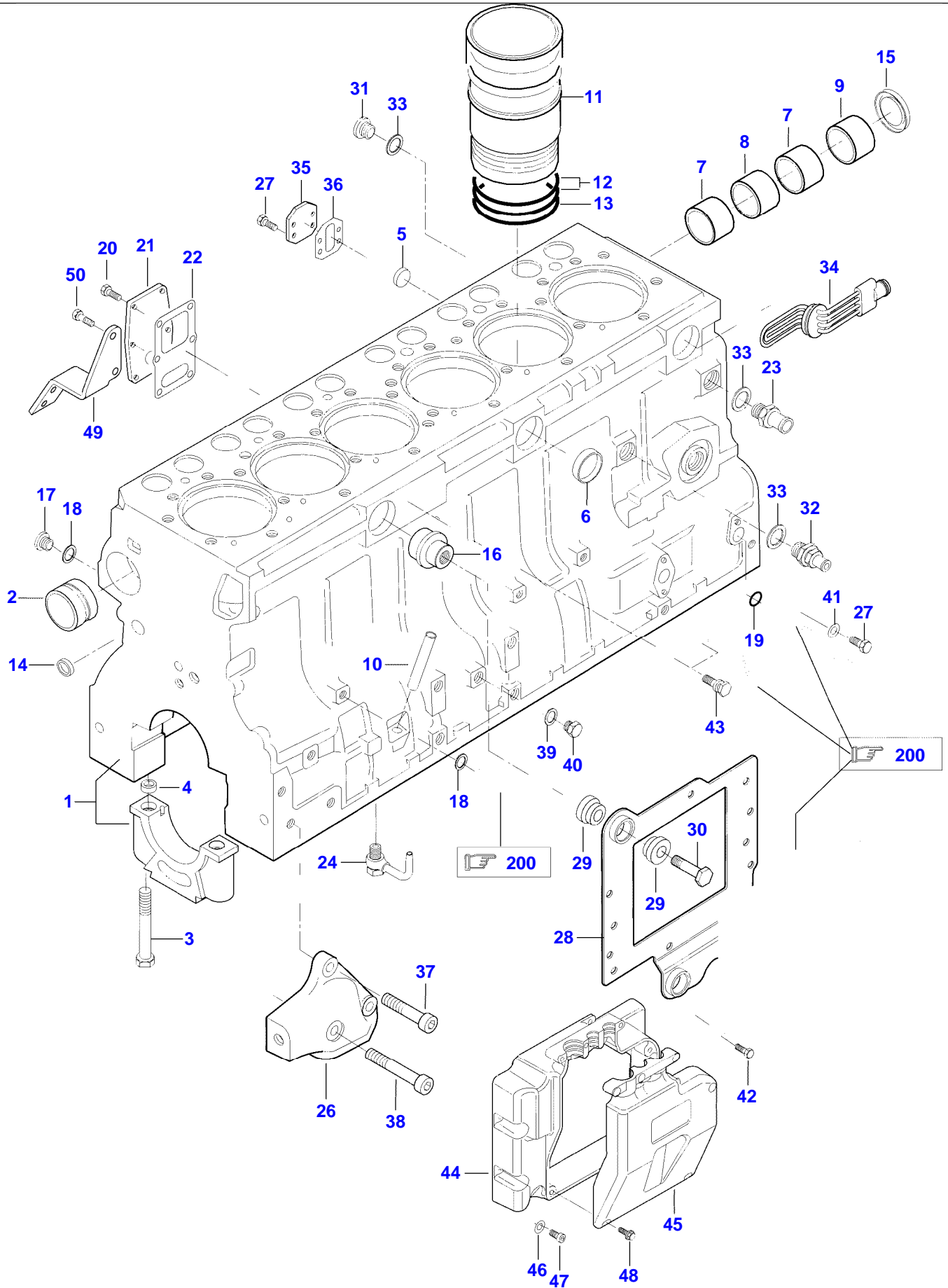


Page Number	Page Title	Page Reference
01-000-TOC	ENGINE, FUEL AND EXHAUST SYSTEM	01-000-TOC
02-000-TOC	AXLES	02-000-TOC
03-000-TOC	STEERING SYSTEM	03-000-TOC
04-000-TOC	DRIVE TRAIN SYSTEM	04-000-TOC
05-000-TOC	BRAKE SYSTEM	05-000-TOC
06-000-TOC	COMPRESSED AIR SYSTEM	06-000-TOC
07-000-TOC	HYDRAULIC SYSTEM	07-000-TOC
08-000-TOC	ELECTRICAL SYSTEM	08-000-TOC
09-000-TOC	CAB	09-000-TOC
10-000-TOC	AIR CONDITIONING AND HEATING SYSTEM	10-000-TOC
11-000-TOC	CHASSIS	11-000-TOC
12-000-TOC	DECALS	12-000-TOC
13-000-TOC	WHEELS	13-000-TOC
14-000-TOC	IMPLEMENT DRIVE SYSTEM	14-000-TOC
15-000-TOC	IMPLEMENT LIFT SYSTEM FRONT	15-000-TOC
16-000-TOC	IMPLEMENT LIFT SYSTEM REAR	16-000-TOC
17-000-TOC	FRONT/REAR LOADERS	17-000-TOC
18-000-TOC	PRECISION FARMING SYSTEMS	18-000-TOC
19-000-TOC	ATTACHMENTS	19-000-TOC
20-000-TOC	GENERAL INFORMATION	20-000-TOC

Page Number	Page Title	Page Reference
01-0001	CYLINDERBLOCK	21-02
01-0002	FLYWHEEL AND HOUSING	21-04
01-0003	CYLINDER HEAD	21-06
01-0004	VALVE MECHANISM	21-08
01-0005	CRANK MECHANISM	21-10
01-0006	GEAR HOUSING	21-12
01-0007	OIL FILTER	21-14
01-0008	OIL SUMP	21-16
01-0009	AIR CLEANER	21-18
01-0010	INTAKE- AND EXHAUST PIPE	21-20
01-0011	INTERCOOLER	21-22
01-0012	PILLAR EXHAUST PIPE	21-24
01-0013	TURBOCHARGER	21-28
01-0014	FUEL FILTER	22-02
01-0015	FUEL PIPES	22-04
01-0016	INJECTION PUMP	22-06
01-0017	SPEED LEVERS	22-08
01-0018	REBUILDING SET, SPEED LEVERS	22-10
01-0019	RADIATOR	23-02
01-0020	COOLANT PUMP	23-04
01-0021	STARTERMOTOR	24-02
01-0022	ALTERNATOR	24-04
01-0023	EEM3 PARTS	24-06
01-0024	WIRING SET, ENGINE	24-08
01-0025	WIRING SET, ENGINE W06101-	24-10
01-0026	ENGINE HEATER STANDARD 2012-	24-20
01-0027	ENGINE REPAIR KIT AND BEARING	28-02
01-0028	ENGINE HEATER (OPTIONAL EQUIPMENT) -2011	29-02
01-0029	AIR INLET, TAKEN UP (OPTIONAL EQUIPMENT)	29-10

T161H TRACTOR (T1 SERIES)
SPIMG-017-21-02



<https://www.ebooklibonline.com>

Hello dear friend!

Thank you very much for reading.

Enter the link into your browser.

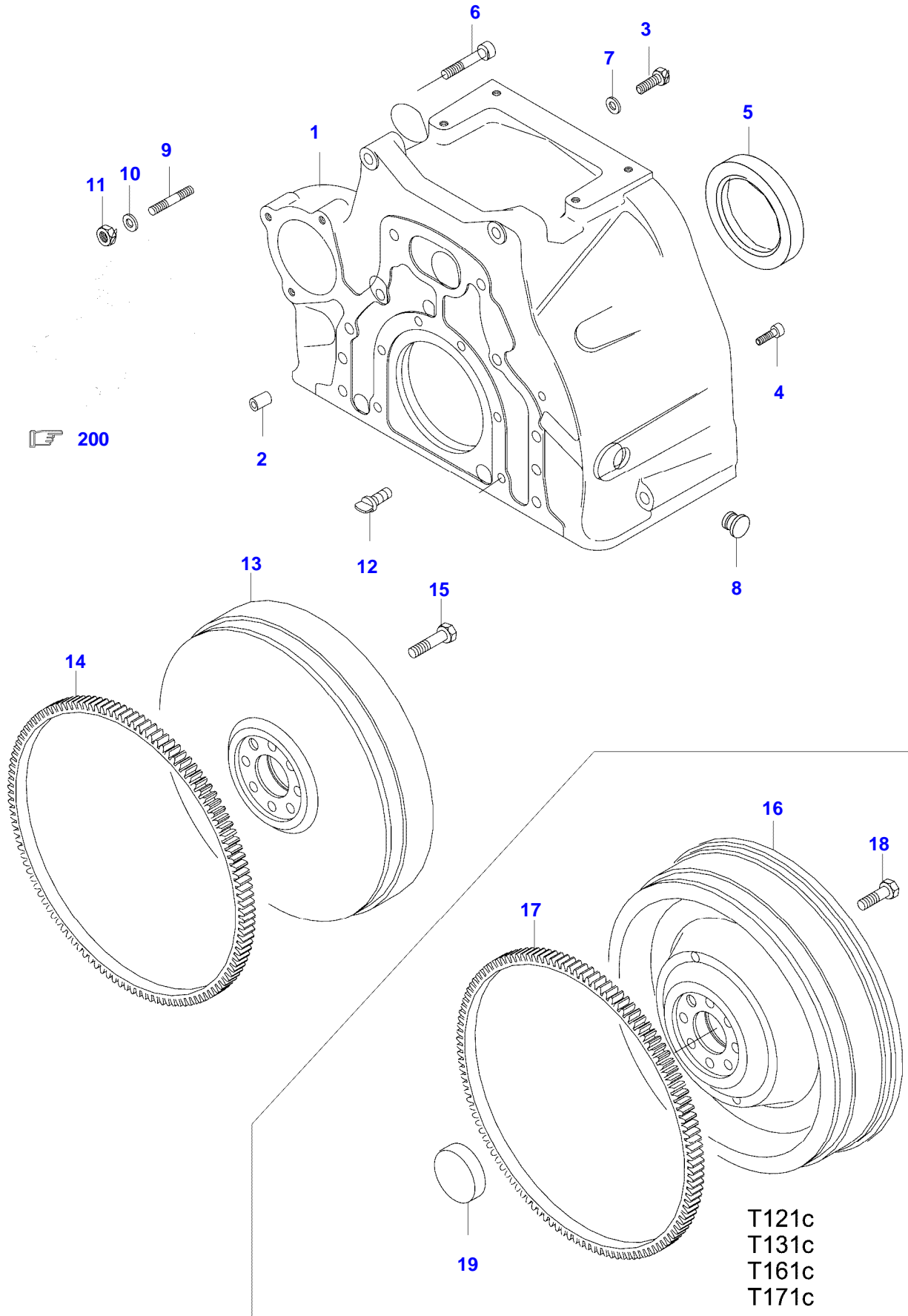
The full manual is available for immediate download.

<https://www.ebooklibonline.com>

Item	Part Number	Qty	Description Comments	Technical Specification
1	V836866110	1	CYLINDER BLOCK -T13069(M)	
	V837070103	1	CYLINDER BLOCK T13070-(M)	
2	V836866069	1	CAMSHAFT BEARING BUSHING	
3	V835329030	14	HEX CAP SCREW	
4	V836214478	24	GUIDE SLEEVE	
5	V640016018	2	CUP PLUG	
6	V640016040	2	CUP PLUG	
7	V836852460	2	CAMSHAFT BEARING BUSHING	
8	V836852459	1	CAMSHAFT BEARING BUSHING	
9	V836852461	1	CAMSHAFT BEARING BUSHING	
10	V836666910	1	OIL DIPSTICK GUIDE PIPE	
11	V836673191	6	LINER	D108 MM STD
12	V836647502	12	CYLINDER LINER O-RING	
			S2	
13	V836647503	6	CYLINDER LINER O-RING	
			S2	
14	V640016016	4	CUP PLUG	
			S2	
15	V836852744	1	PLUG	
16	V837069057	1	PLUG	
17	V640325110	4	SCREW PLUG	
18	V615571014	5	SEALING WASHER	
			S2	
19	V614601524	1	O-RING	
20	V528801380	4	HEX CAP SCREW	
			M8 X 20	
21	V836847994	1	FLANGE	
22	V836322852	1	GASKET	
			S2	
23	V836119837	1	HOSE COUPLER	
24	V837074224	6	PISTON COOLING JET	
26	V836346012	1	ENGINE MOUNT LEFT	
	V836346013	1	ENGINE MOUNT RIGHT	
27	V528801362	5	HEX CAP SCREW	
			M8 X 16	
28	V837070147	1	ECU BRACKET	
29	V837074327	6	RUBBER BUSHING	
30	V837069056	3	HEX CAP SCREW	
31	V640325018	1	PLUG	
32	V836664377	1	DRAIN VALVE	
33	V615881824	3	SEALING WASHER	
			S2	
34	V836847596	1	ENGINE BLOCK HEATER	
			220V	
35	V836866957	1	COVER	
36	V836866958	1	GASKET	
			S2	
37	V581705850	4	HEX SOCKET SCREW	
			M14 X 40	
38	V581705890	2	HEX SOCKET SCREW	
			M14 X 60	

Item	Part Number	Qty	Description Comments	Technical Specification
39	V615881216	1	SEALING WASHER S2	
40	V640045112	1	PLUG	
41	V500050840	1	FLAT WASHER	
42	V529801102	8	HEX CAP SCREW M6 X 25	
43	V837070197	2	SCREW	
44	V837070285	1	COVER	
45	V837070286	1	COVER	
46	V500150642	5	WASHER	
47	V581804182	5	HEX SOCKET SCREW M6 X 16	
48	V590253388	6	SCREW 5,1 X 14	
49	V836866872	1	SUPPORT	
50	V528801400	2	HEX CAP SCREW M8 X 25	
200			SEE PAGE 01-0023	

T161H TRACTOR (T1 SERIES)
SPIMG-017-21-04



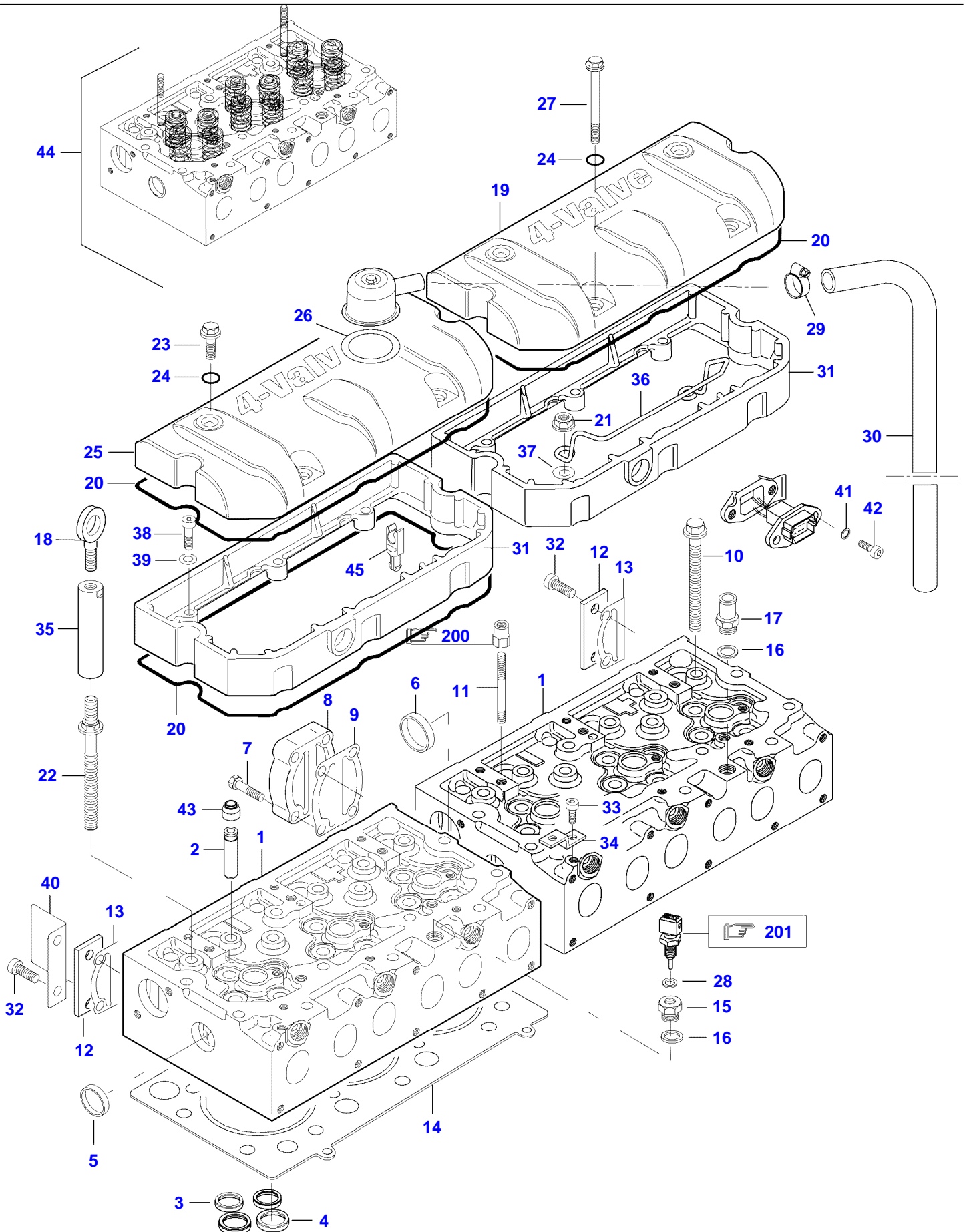
T121c
T131c
T161c
T171c

Item	Part Number	Qty	Description Comments
1	V836666482	1	FLYWHEEL HOUSING
2	V598359850	2	PIN
3	V529702220	8	HEX CAP SCREW M12 X 35
4	V581705030	6	HEX SOCKET SCREW M10 X 30
5	V614500002	1	CRANKSHAFT SEAL S2
6	V581705490	2	HEX SOCKET SCREW M12 X 60
7	V500951200	8	SPRING WASHER
8	V836007572	1	RUBBER PLUG
9	V546801800	3	STUD BOLT M10 X 25
10	V500951000	3	SPRING WASHER
11	V504601000	3	NUT M10
12	V836859311	1	PLUG
13	V836659990	1	FLYWHEEL
14	V835328783	1	STARTER RING
15	V529702250	8	HEX CAP SCREW 150 NM
17	V835328783	1	STARTER RING

200

SEE PAGE 01-0021

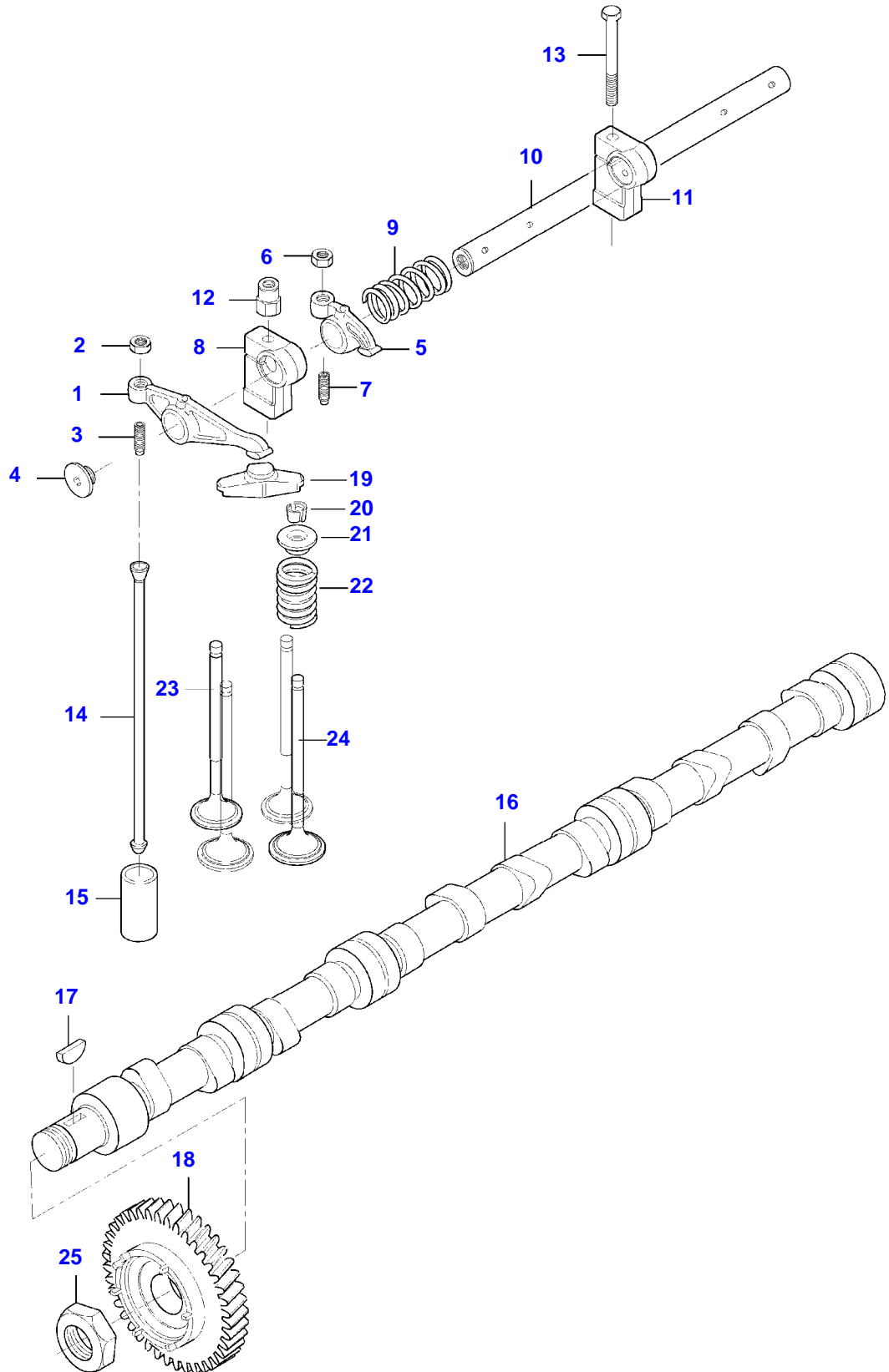
T161H TRACTOR (T1 SERIES)
 SPIMG-017-21-06



Item	Part Number	Qty	Description Comments	Technical Specification
1	NS	2	NON-SERVICEABLE PART CYLINDER HEAD REF. 43	
2	V837073174	24	VALVE GUIDE	4V STD
3	V837064907	12	VALVE SEAT	4V EXHAUST STD
4	V837064908	12	EXHAUST VALVE SEAT	4V INTAKE STD
5	V836647942	4	INTAKE CUP PLUG	
6	V640016045	1	CUP PLUG	
7	V528801830	4	HEX CAP SCREW M10 X 40	
8	V836855348	1	CONNECTION FLANGE	
9	V836867752	1	GASKET S1	
10	V837069025	28	CYLINDER HEAD BOLT 32PC U1100-(M)	
11	V546801900	4	STUD BOLT M10 X 75	
12	V836855350	2	BLOCK OFF PLATE	
13	V836867753	2	GASKET S1	
14	V837070290	2	CYLINDER HEAD GASKET S1	
15	V836119643	1	THREADED NIPPLE	
16	V615881822	2	SEALING WASHER S1	
17	V836119837	1	HOSE COUPLER	
18	V836640752	2	LIFT EYE	
19	V837069022	1	VALVE ROCKER COVER	
20	V837067881	4	VALVE ROCKER COVER GASKET S1	
21	V836859110	10	NUT 2PC U1100-(M)	
22	V837073571	6	CYLINDER HEAD BOLT 2PC U1100-(M)	
23	V540801780	4	HEXAGON FLANGE BOLT M10 X 20	
24	V614901030	8	O-RING S1	
25	V837070452	1	VALVE ROCKER COVER	
26	V836667459	1	GASKET	
27	V540801910	4	HEXAGON FLANGE BOLT M10 X 80	
28	V615881418	1	SEALING WASHER S1	
29	V602078532	1	HOSE CLIP	
30	V837070346	1	BREATHING HOSE	
31	V837069021	2	VALVE ROCKER COVER FRAME -W14534	
	V837073888	2	VALVE ROCKER COVER FRAME W14535-	
32	V528801800	4	HEX CAP SCREW M10 X 25	
33	V528801360	1	HEX CAP SCREW M8 X 16	
34	V836747849	2	SUPPORT	
35	V836867567	2	LIFTING EYE EXTENSION	
36	V837069026	1	BRACKET -T26388(M)	

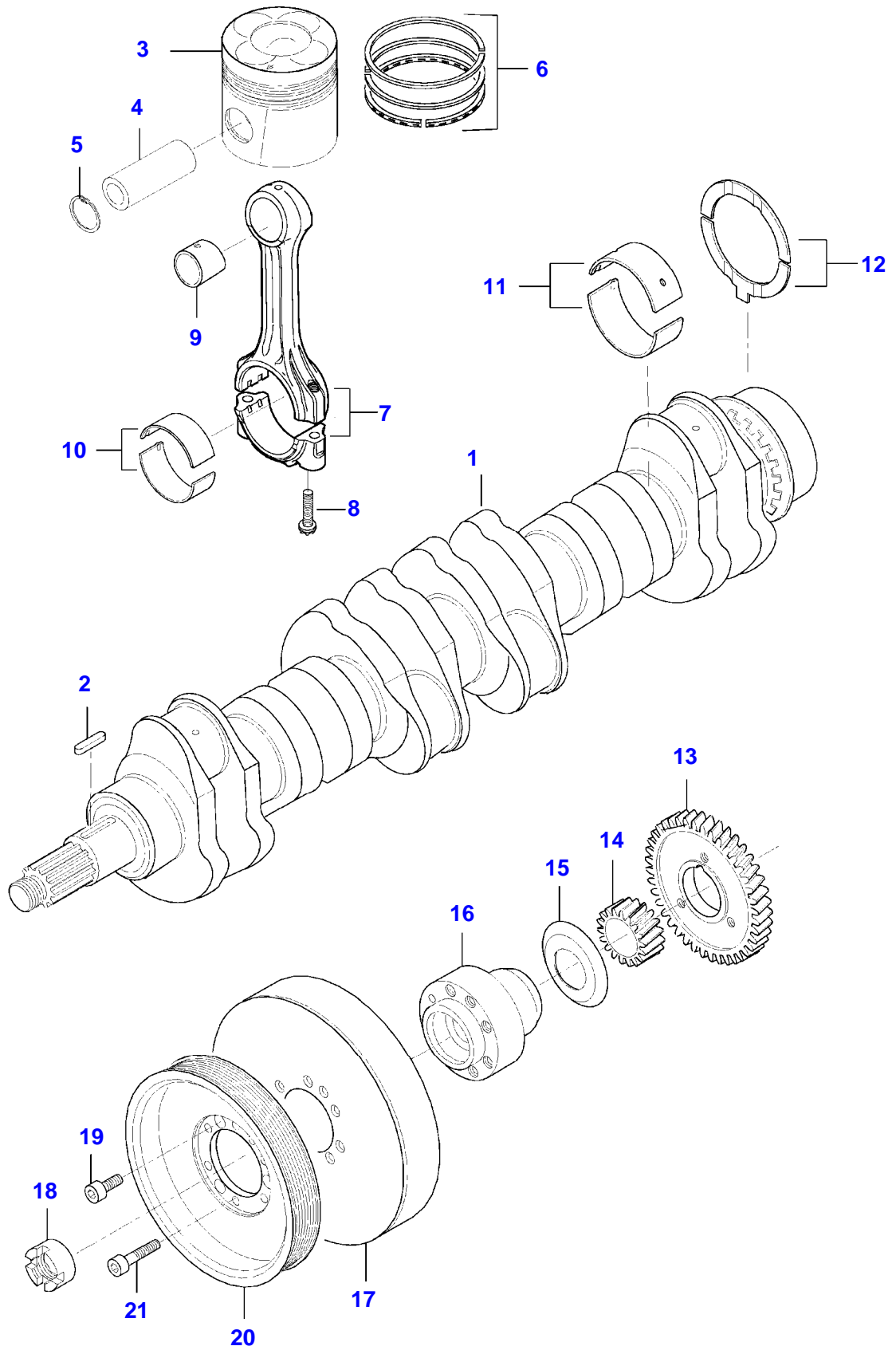
Item	Part Number	Qty	Description Comments	Technical Specification
45	V837073227	4	BAND U1100-(M)	
37	V500951200	4	SPRING WASHER	
38	V581804630	6	HEX SOCKET SCREW M8 X 30	
39	V500950800	6	SPRING WASHER	
40	V836666199	1	HEAT SHIELD	
41	V500150842	4	WASHER -W14534	
42	V581804602	4	HEX SOCKET SCREW -W14534 M8 X 20	
43	V837073165	24	VALVE STEM GASKET S1	
44	V837073233	1	CYLINDER HEAD FRONT	
	V837073234	1	CYLINDER HEAD REAR	
200			SEE PAGE 01-0004	
201			SEE PAGE 01-0023	

T161H TRACTOR (T1 SERIES)
SPIMG-017-21-08



Item	Part Number	Qty	Description Comments	Technical Specification
1	V837069016	2	ROCKER SHAFT ASM	3-CYL 4V 4V INTAKE
	V837069011	6	ROCKER ARM	
2	V512861000	6	INTAKE	
			NUT	
3	V837069023	6	VALVE ROCKER ADJUSTMENT SCREW	
4	V837069020	4	PLUG	
5	V837069013	6	ROCKER ARM	4V EXHAUST
			EXHAUST	
6	V512861000	6	NUT	
7	V837069023	6	VALVE ROCKER ADJUSTMENT SCREW	
8	V837069017	4	ROCKER SHAFT BRACKET	
9	V837069019	4	SPRING	
10	V837069015	2	SHAFT	
11	V837069018	2	ROCKER SHAFT BRACKET	
12	V836655406	4	SLEEVE NUT	
13	V529801910	2	HEX CAP SCREW M10 X 80	
14	V837070119	12	PUSHROD	
15	V836014264	12	TAPPET	
16	V837070148	1	CAMSHAFT	
17	V603305760	1	WOODRUFF KEY	
18	V837070030	1	GEAR,CAMSHAFT	
19	V837073089	12	VALVE BRIDGE	
20	V837064910	48	COTTER	
21	V837069004	24	SPRING PLATE	
22	V837069005	24	VALVE SPRING	
23	V837069002	12	EXHAUST VALVE	
24	V837069003	12	INTAKE VALVE	
25	V837069085	1	NUT	

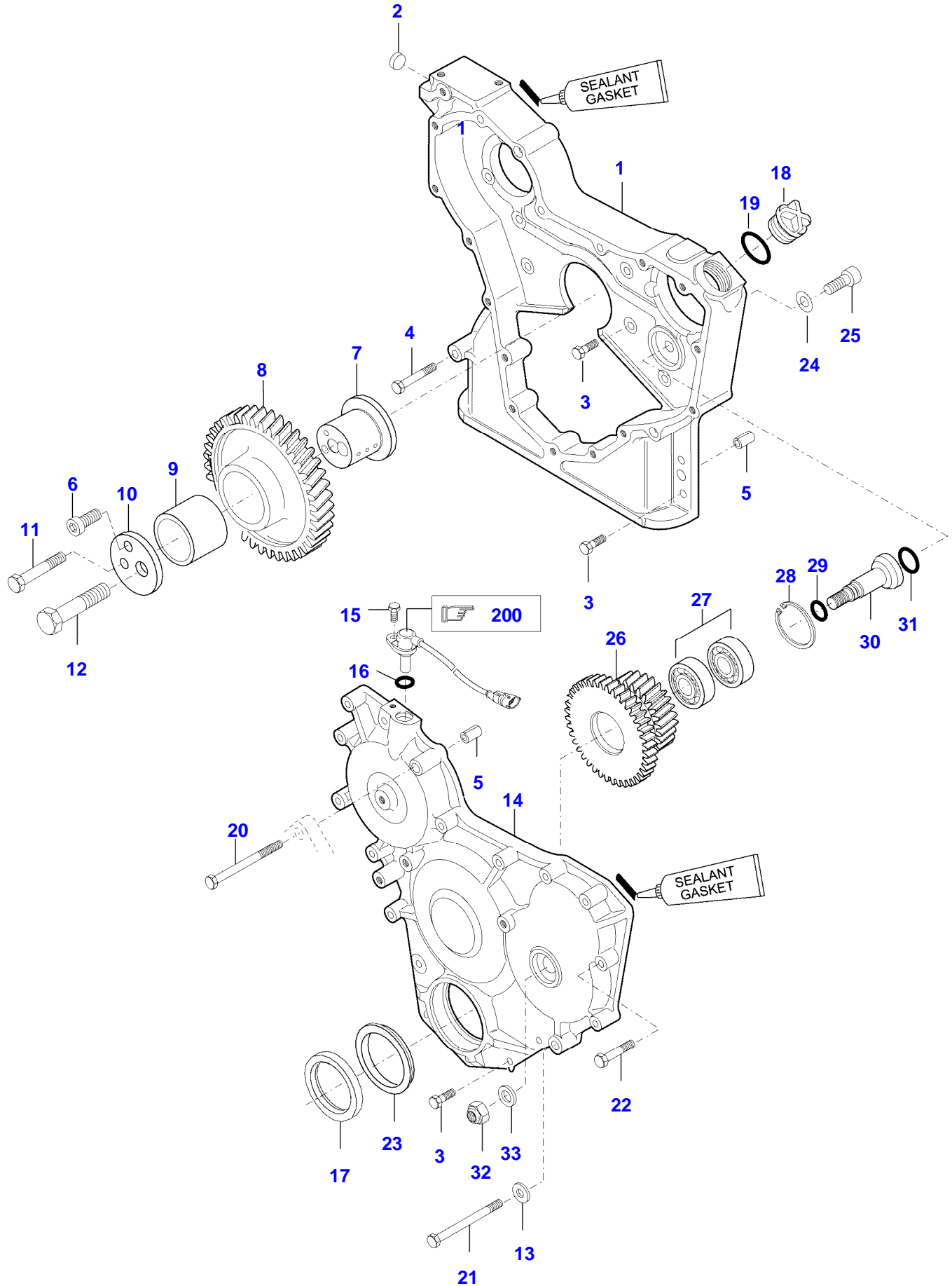
T161H TRACTOR (T1 SERIES)
SPIMG-017-21-10



Item	Part Number	Qty	Description Comments	Technical Specification
1	V837070040	1	CRANKSHAFT -T13069(M)	
	V837070199	1	CRANKSHAFT T13070-(M)	
2	V603345110	1	KEY	
3	V837070192	6	PISTON -U1099(M)	
	V837073228	6	PISTON U1100-X07642(M)	
	V837074081	6	PISTON X07643-(M)	
4	NS	6	NON-SERVICEABLE PART . PISTON PIN	
5	NS	12	NON-SERVICEABLE PART . CIRCLIP	
6	V836640078	6	PISTON RING KIT . -X07642(M)	
	V837079460	6	PISTON RING KIT . X07643-(M)	
	V836840928	1	CONNECTING ROD KIT REF. 7, 8, 9	
7	NS	6	NON-SERVICEABLE PART . CONNECTING ROD 1935-1954 G F	
	NS	6	NON-SERVICEABLE PART . CONNECTING ROD 1955-1974 G V	
	NS	6	NON-SERVICEABLE PART . CONNECTING ROD 1975-1994 G X	
	NS	6	NON-SERVICEABLE PART . CONNECTING ROD 1995-2014 G Y	
	NS	6	NON-SERVICEABLE PART . CONNECTING ROD 2015-2034 G W	
	NS	6	NON-SERVICEABLE PART . CONNECTING ROD 2035-2054 G Z	
	NS	6	NON-SERVICEABLE PART . CONNECTING ROD 2055-2074 G G	
8	V836864141	12	CONNECTING ROD BOLT	
9	V836110646	6	BEARING BUSH	STD
10	V836110552	6	BEARING SHELL SEE PAGE 01-0027	

Item	Part Number	Qty	Description Comments	Technical Specification
11	V836655514	7	MAIN BEARING -T13069(M) SEE PAGE 01-0027	
	V836840944	7	MAIN BEARING T13070-(M) SEE PAGE 01-0027	STD
12	V836119459	2	THRUST WASHER -T13069(M) SEE PAGE 01-0027	
	V836840945	2	THRUST WASHER T13070-(M) SEE PAGE 01-0027	
13	V836119550	1	GEAR,CRANKSHAFT	
14	V836667096	1	GEAR,CRANKSHAFT	
15	V836129781	1	RING	
16	V837070460	1	CRANKSHAFT HUB	
17	V836840867	1	CRANKSHAFT VIBRATION DAMPENER	
18	V836847641	1	CRANKSHAFT NUT	
19	V581804620	3	HEX SOCKET SCREW M8 X 25	
20	V836866527	1	PULLEY	
21	V581804640	6	HEX SOCKET SCREW M8 X 35	

T161H TRACTOR (T1 SERIES)
SPIMG-017-21-12

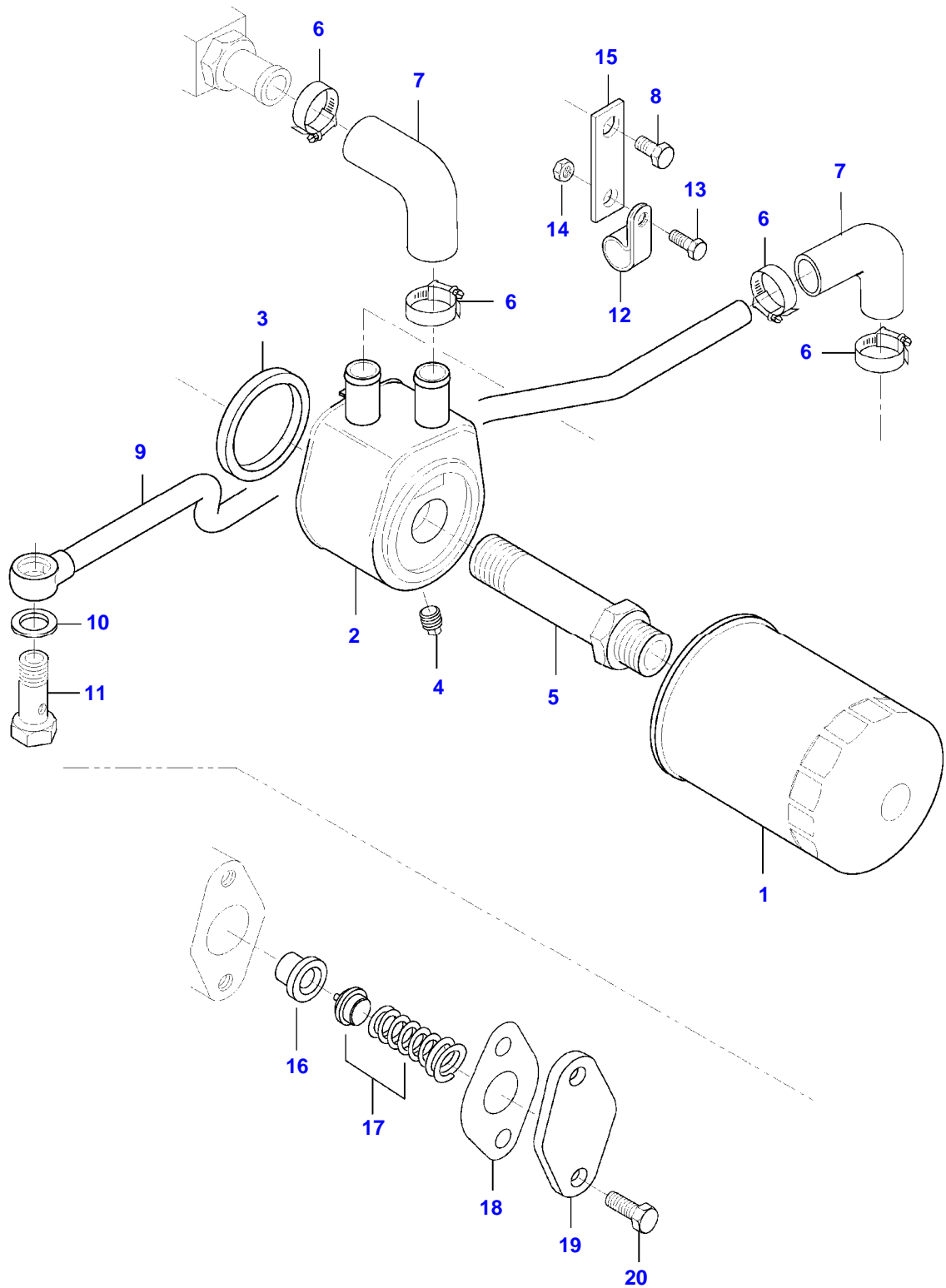


Item	Part Number	Qty	Description Comments
1	V837070025	1	TIMING GEAR CASE
2	V640016016	1	CUP PLUG
3	V528801400	16	HEX CAP SCREW M8 X 25
4	V529801470	1	HEX CAP SCREW M8 X 60
5	V598359850	4	PIN
	V837073330	1	IDLER GEAR ASSEMBLY
6	V581804602	1	HEX SOCKET SCREW M8 X 20
7	V836766127	1	SHAFT
8	V837070034	1	GEAR
9	V836139039	1	BUSHING
10	V836129845	1	FLANGE
11	V529801910	1	HEX CAP SCREW M10 X 80
12	V529902720	1	HEX CAP SCREW M14 X 85
13	V836120989	2	WASHER
14	V837070026	1	GEAR HOUSING FRONT COVER
15	V528801062	1	HEX CAP SCREW M6 X 16
16	V614601718	1	O-RING
17	V836673387	1	SHAFT SEAL S2
18	V836017927	1	CAP
19	V614603540	1	O-RING S2
20	V529801560	1	HEX CAP SCREW M8 X 105
21	V529801540	4	HEX CAP SCREW M8 X 95
22	V529801440	9	HEX CAP SCREW M8 X 45
23	V836129782	1	COVER
24	V500951200	1	SPRING WASHER
25	V581705420	1	HEX SOCKET SCREW M12 X 25
	V837070095	1	DUAL GEAR WHEEL
26	V837070111	1	DUAL GEAR WHEEL
27	V610073040	2	BALL BEARING
28	V617330052	1	LOCK RING
29	V614601324	1	O-RING S2
30	V837069069	1	SHAFT
31	V614601924	1	O-RING S2
32	V504601400	1	NUT M14
33	V837069070	1	WASHER

200

SEE PAGE 01-0023

T161H TRACTOR (T1 SERIES)
SPIMG-017-21-14



Item	Part Number	Qty	Description Comments
1	V836662580	1	ENGINE OIL FILTER
2	V836859699	1	OIL COOLER
3	V836862235	1	SEAL
4	V640004004	1	PLUG
5	V836859700	1	UNION
6	V602079516	4	HOSE CLIP
7	V836859899	2	RUBBER ELBOW
8	V528801760	1	HEX CAP SCREW M10 X 16
9	V837070173	1	WATER PIPE
10	V615881822	2	SEALING WASHER S2
11	V640435015	1	BANJO BOLT
12	V602074615	1	RETAINER CLAMP
13	V528801380	1	HEX CAP SCREW M8 X 20
14	V504800800	1	NUT M8
15	V837070143	1	SUPPORT
	V836662130	1	OIL PRESSURE CONTROL VALVE
16	V836659521	1	VALVE SEAT
17	V836667650	1	SPRING ASSEMBLY
18	V836322190	1	INCLUDES SPRING GASKET
19	V836659524	1	S2 COVER
20	V528801380	2	HEX CAP SCREW M8 X 20

Item	Part Number	Qty	Description Comments
1	V836855501	1	OIL SUMP
2	V836322183	1	OIL SUMP GASKET S2
3	V836129727	2	GASKET S2
4	V581704830	2	HEX SOCKET SCREW M8 X 160
5	V581706350	4	HEX SOCKET SCREW M16 X 90
6	V581705130	22	HEX SOCKET SCREW M10 X 80
7	V581705250	2	HEX SOCKET SCREW M10 X 180
8	V615881827	1	SEALING WASHER S2
9	V836655493	1	PLUG M18
10	V836666908	1	DIPSTICK ORANGE
11	V836855300	1	LUBRICATING OIL PUMP
11	V504861000	1	NUT . M10
12	V836122910	1	WASHER .
13	V836338667	1	GEAR .
14	NS	1	NON-SERVICEABLE PART .
15	V836322909	1	FRAME BUSHING
16	V836322906	1	OIL PUMP SHAFT ..
17	V528801380	4	HEX CAP SCREW .
18	V836338182	1	M8 X 20 OIL PUMP SHAFT
19	V836338180	1	GEAR,OIL PUMP .
20	V836322909	2	BUSHING ..
21	V836338188	1	GASKET .
22	V836855297	1	S2 COVER
23	V836322909	1	BUSHING ..
24	V836873427	1	SUCTION PIPE
25	V836007871	X	SHIM
26	V581805050	2	HEX SOCKET SCREW M10 X 40
27	V836008449	2	GASKET S2
28	V581804600	4	HEX SOCKET SCREW M8 X 20
29	V836866569	1	OIL PIPE
30	V836338201	1	GASKET S2
31	V500150840	1	WASHER
32	V528801360	1	HEX CAP SCREW M8 X 16
33	V836866563	1	ADAPTER FLANGE
34	V614702230	1	O-RING

Valtra

T161H TRACTOR (T1 SERIES)

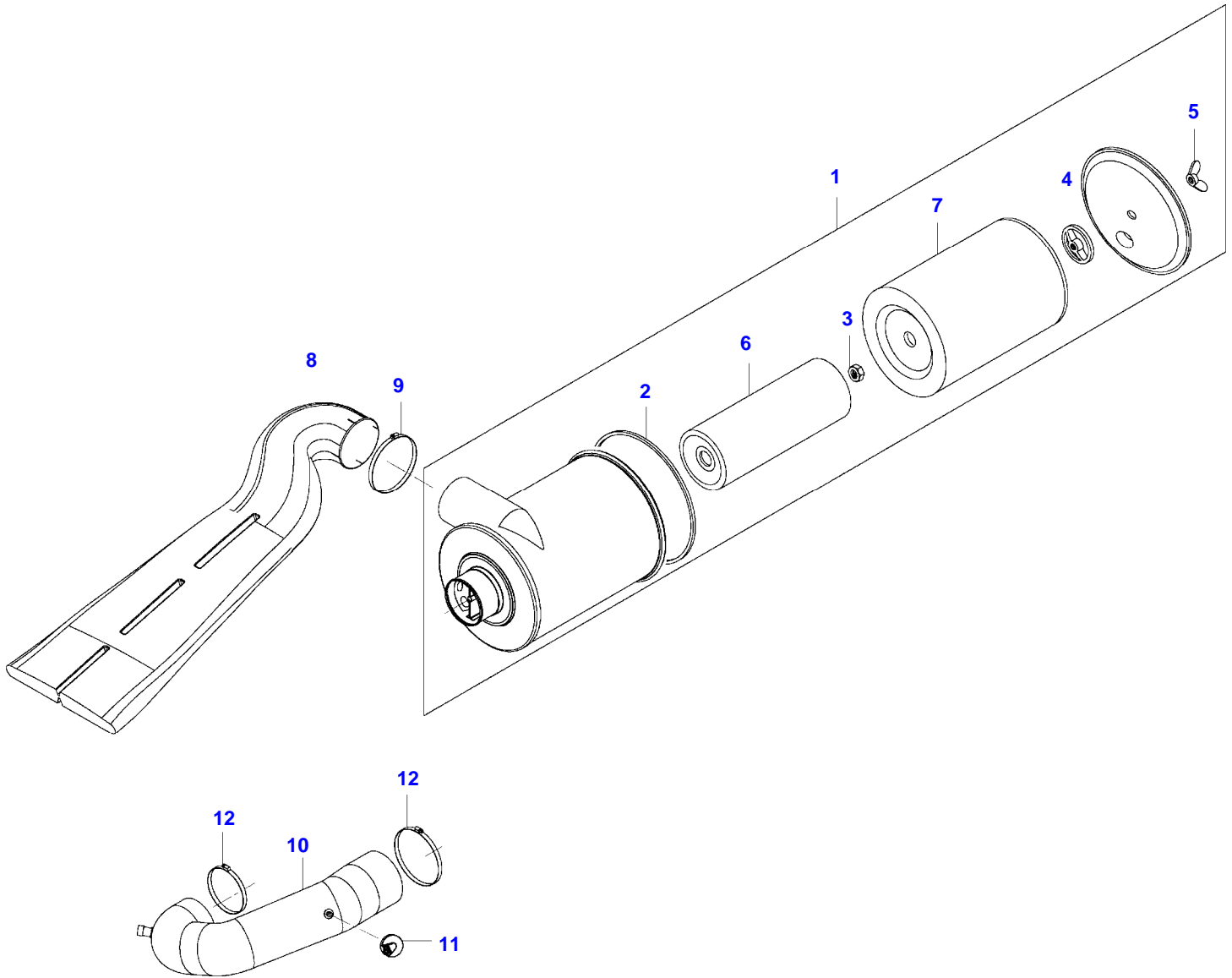
VFT161H

OIL SUMP

Page01-0008

Item	Part Number	Qty	Description Comments
35	V581804680	2	HEX SOCKET SCREW M8 X 55
36	V528801400	1	HEX CAP SCREW M8 X 25

T161H TRACTOR (T1 SERIES)
SPIMG-017-21-18



Item	Part Number	Qty	Description Comments	Technical Specification
1	V34657200	1	AIR FILTER ASSEMBLY	
2	V33572300	1	GASKET	L=960
3	VJB8905	1	LOCKNUT	M10 SFS_EN_ISO_10511
4	V35315600	1	NUT	
5	VJC1610	1	BLADE NUT	M10 DIN315 G5 ZNE
6	V836862574	1	SECONDARY AIR FILTER ELEMENT	
7	V836862573	1	SAFETY FILTER PRIMARY AIR FILTER ELEMENT	
8	V34517400	1	MAIN FILTER SUCTION PIPE	
9	VGP3936	1	HOSE CLIP	D=138 SMS2298
10	V36436600	1	SUCTION PIPE	
11	V34654000	1	SENSOR	65 BAR
12	VGP3982	2	HOSE CLIP	D=97-148



Suggest:

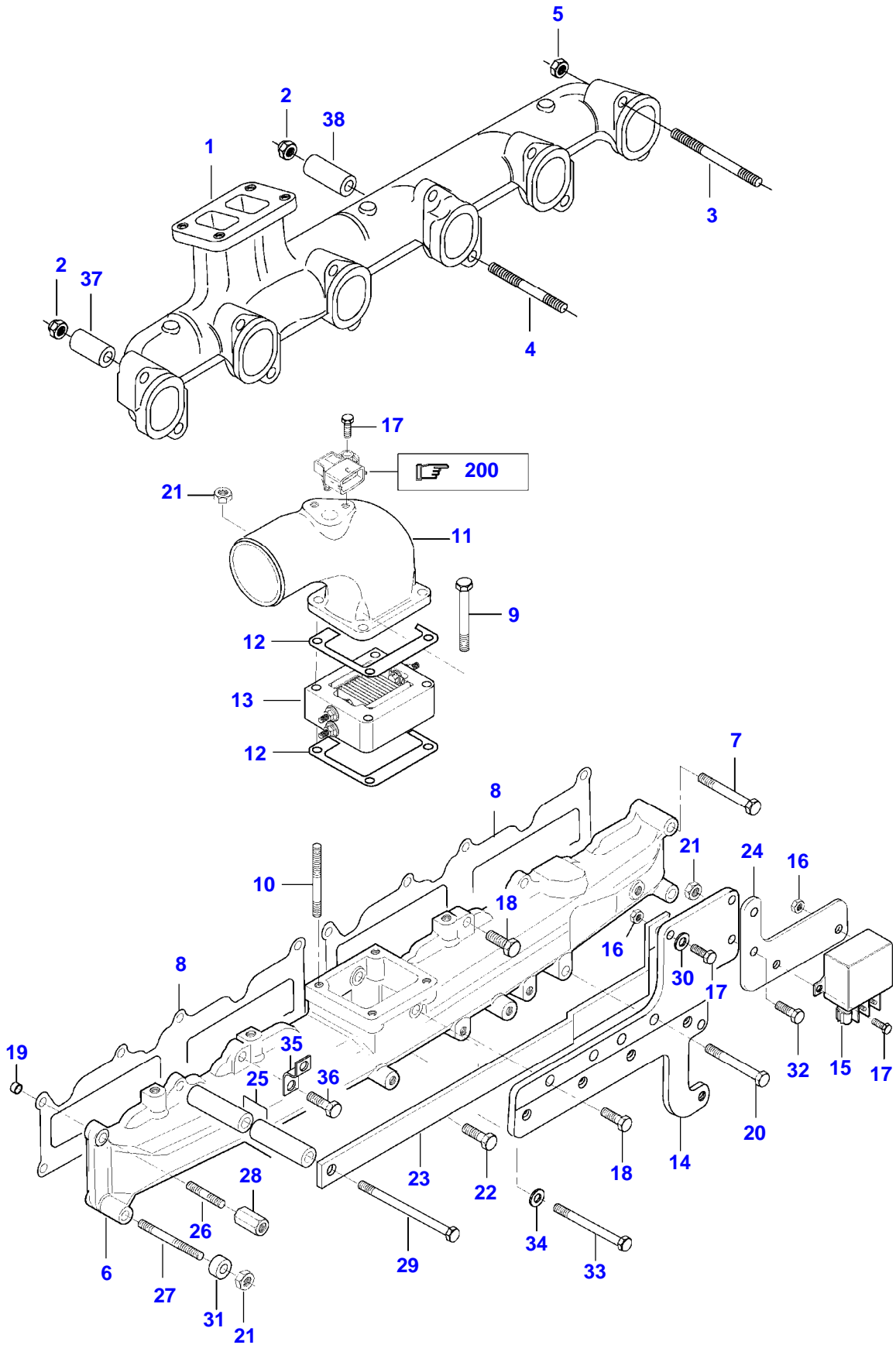
For more complete manuals. Please go to the home page.

<https://www.ebooklibonline.com>

If the above button click is invalid. Please download this document first, and then click the above link to download the complete manual.

Thank you so much for reading

T161H TRACTOR (T1 SERIES)
SPIMG-017-21-20



Item	Part Number	Qty	Description Comments
1	V837070392	1	EXHAUST MANIFOLD
2	V513601002	9	NUT
3	V836855995	9	STUD BOLT
4	V836859034	3	STUD BOLT
5	V504601000	3	NUT M10
6	V837070219	1	INTAKE MANIFOLD
7	V529801470	2	HEX CAP SCREW M8 X 60
8	V837069009	2	INTAKE MANIFOLD GASKET S1
9	V529801480	1	HEX CAP SCREW M8 X 65
10	V546801490	3	STUD BOLT M8 X 70
11	V837067804	1	AIR PIPE
12	V837067345	2	GASKET S1
13	V837067295	1	INTAKE AIR PREHEATER
14	V837070195	1	BRACKET
15	V837069047	1	RELAY
16	V510600602	4	NUT M6
17	V528801082	5	HEX CAP SCREW M6 X 20
18	V528801400	6	HEX CAP SCREW M8 X 25
19	V598355365	1	PIN
20	V529801530	2	HEX CAP SCREW M8 X 90
21	V504800800	5	NUT M8
22	V528801410	5	HEX CAP SCREW M8 X 30
23	V837070156	1	SUPPORT
24	V837067828	1	BRACKET
25	V836759433	2	SPACER PIECE
26	V546801410	1	STUD BOLT M8 X 30
27	V546801510	1	STUD BOLT M8 X 80
28	V836428075	1	NUT
29	V529801595	1	HEX CAP SCREW M8 X 140
30	V500050642	2	WASHER
31	V836019695	1	SPACER
32	V528801380	1	HEX CAP SCREW M8 X 20
33	V528901550	1	SCREW M8 X 100
34	V836015967	1	SEALING WASHER S1
35	V836747849	1	SUPPORT
36	V528801420	1	HEX CAP SCREW M8 X 35
37	V836664013	2	SPACER PIECE
38	V836673013	10	SPACER PIECE

200

SEE PAGE 01-0023

<https://www.ebooklibonline.com>

Hello dear friend!

Thank you very much for reading.

Enter the link into your browser.

The full manual is available for immediate download.

<https://www.ebooklibonline.com>