

<b>Page Number</b>	<b>Page Title</b>	<b>Page Reference</b>
01-000-TOC	ENGINE, FUEL AND EXHAUST SYSTEM	01-000-TOC
02-000-TOC	AXLES	02-000-TOC
03-000-TOC	STEERING SYSTEM	03-000-TOC
04-000-TOC	DRIVE TRAIN SYSTEM	04-000-TOC
05-000-TOC	BRAKE SYSTEM	05-000-TOC
06-000-TOC	COMPRESSED AIR SYSTEM	06-000-TOC
07-000-TOC	HYDRAULIC SYSTEM	07-000-TOC
08-000-TOC	ELECTRICAL SYSTEM	08-000-TOC
09-000-TOC	CAB	09-000-TOC
10-000-TOC	AIR CONDITIONING AND HEATING SYSTEM	10-000-TOC
11-000-TOC	CHASSIS	11-000-TOC
12-000-TOC	DECALS	12-000-TOC
13-000-TOC	WHEELS	13-000-TOC
14-000-TOC	IMPLEMENT DRIVE SYSTEM	14-000-TOC
15-000-TOC	IMPLEMENT LIFT SYSTEM FRONT	15-000-TOC
16-000-TOC	IMPLEMENT LIFT SYSTEM REAR	16-000-TOC
17-000-TOC	FRONT/REAR LOADERS	17-000-TOC
18-000-TOC	PRECISION FARMING SYSTEMS	18-000-TOC
19-000-TOC	ATTACHMENTS	19-000-TOC
20-000-TOC	GENERAL INFORMATION	20-000-TOC

Page Number	Page Title	Page Reference
01-0001	CYLINDERBLOCK	21-02
01-0002	FLYWHEEL AND HOUSING	21-04
01-0003	CYLINDER HEAD	21-06
01-0004	VALVE MECHANISM	21-08
01-0005	CRANK MECHANISM	21-10
01-0006	BALANCER WEIGHT	21-12
01-0007	GEAR HOUSING	21-16
01-0008	OIL FILTER	21-18
01-0009	OIL SUMP	21-20
01-0010	INTAKE- AND EXHAUST PIPE	21-22
01-0011	AIR INTAKE SYSTEM	21-24
01-0012	PILLAR EXHAUST PIPE	21-26A
01-0013	TURBOCHARGER	21-28
01-0014	FUEL FILTER	22-04
01-0015	INJECTION PUMP, COMMON RAIL	22-10
01-0016	SPEED LEVERS	22-14
	-W06100	
01-0017	REBUILDING SET, SPEED LEVERS	22-16
	W06101-	
01-0018	RADIATOR	23-02
01-0019	COOLANT PUMP	23-04
01-0020	STARTERMOTOR	24-02
01-0021	ALTERNATOR	24-06
01-0022	EEM3 PARTS	24-10
01-0023	WIRING SET, ENGINE	24-14
01-0024	ENGINE HEATER	24-20
	STANDARD 2012-	
01-0025	GASKET SETS	28-02
01-0026	ENGINE REPAIR KIT AND BEARING	28-04
01-0027	ENGINE HEATER (OPTIONAL EQUIPMENT)	29-02
	-2011	
	STANDARD 2012-	



**<https://www.ebooklibonline.com>**

Hello dear friend!

Thank you very much for reading.

Enter the link into your browser.

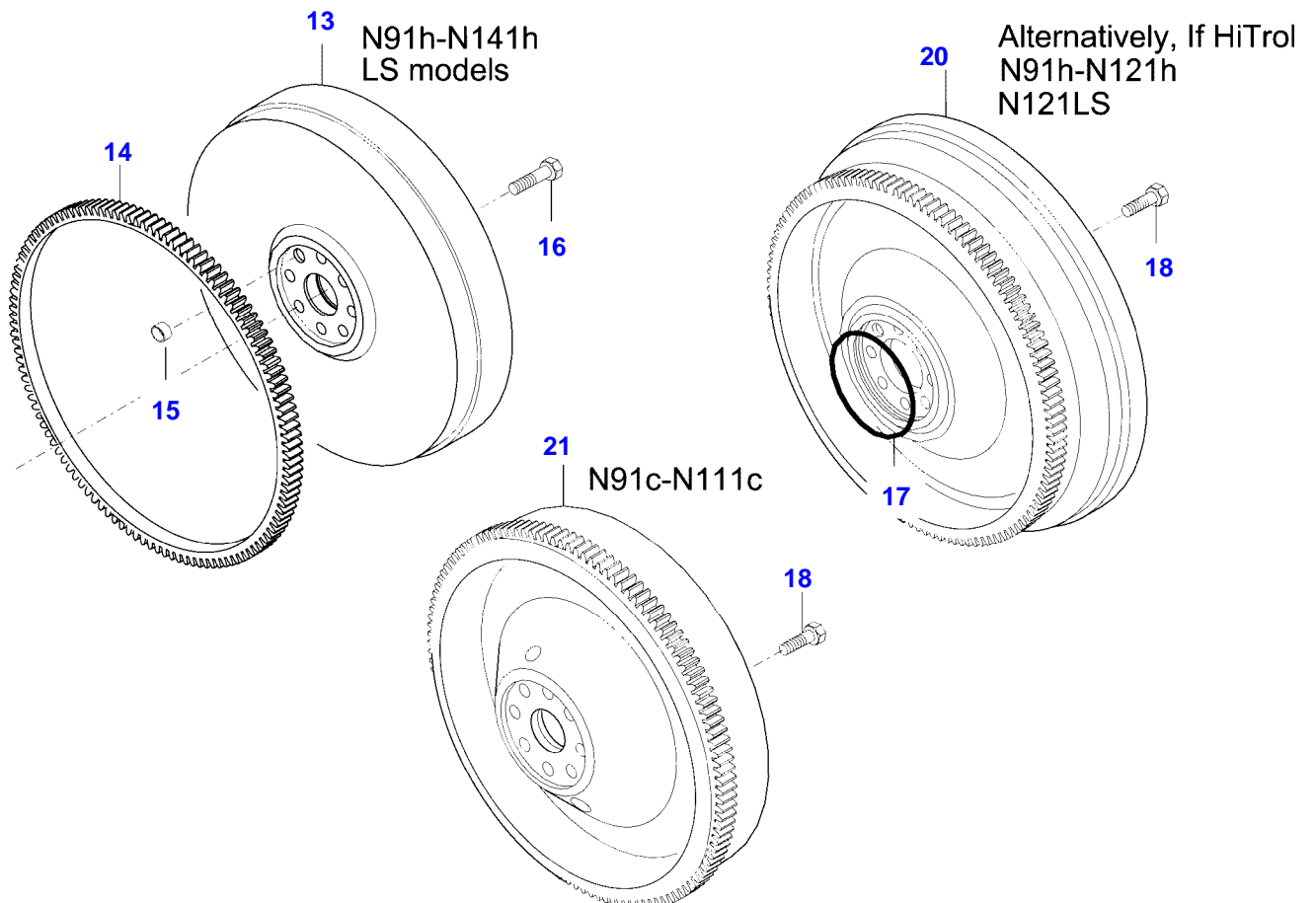
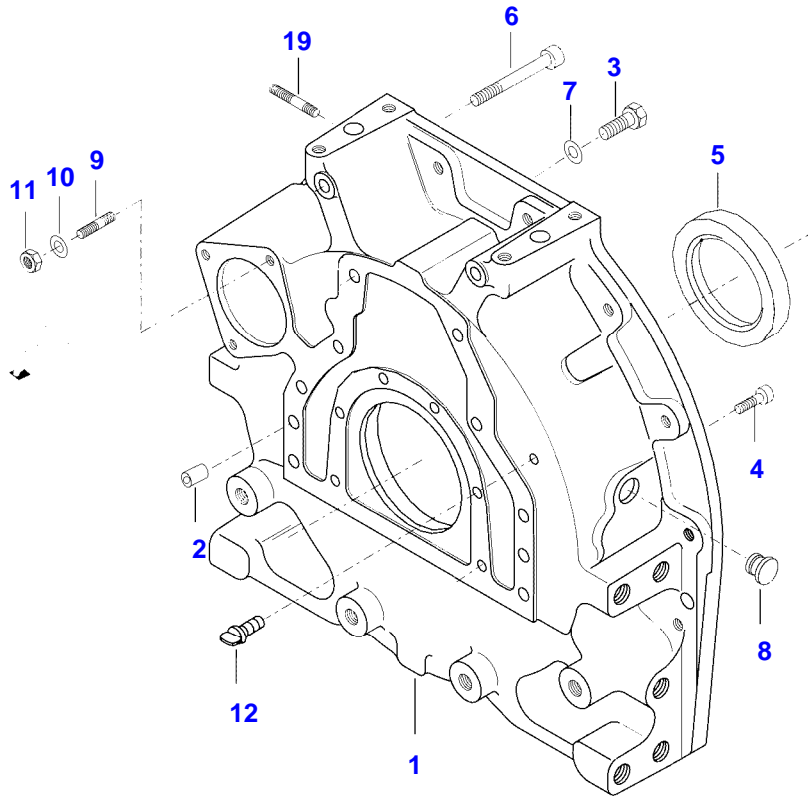
The full manual is available for immediate download.

**<https://www.ebooklibonline.com>**

Item	Part Number	Qty	Description Comments	Technical Specification
1	V836773437	1	CYLINDER BLOCK	
2	V836866069	1	CAMSHAFT BEARING BUSHING	
3	V835329030	10	HEX CAP SCREW	
4	V836214478	10	GUIDE SLEEVE	
5	V836673191	4	LINER	D108 MM STD
6	V836647502	8	CYLINDER LINER O-RING S2	
7	V836647503	4	CYLINDER LINER O-RING S2	
8	V500150642	5	WASHER	
9	V581804182	5	HEX SOCKET SCREW M6 X 16	
10	V590253388	6	SCREW 5.1 X 14	
11	V640016016	4	CUP PLUG S2	
12	V836529872	1	PLUG	
13	V640016018	1	CUP PLUG	
14	V640325110	2	SCREW PLUG	
15	V615571014	3	SEALING WASHER S2	
16	V614601524	1	O-RING	
17	V640325018	1	PLUG	
18	V615881822	2	SEALING WASHER S2	
19	V836766159	1	ENGINE MOUNT RIGHT	
	V836766160	1	ENGINE MOUNT LEFT	
20	V836666910	1	OIL DIPSTICK GUIDE PIPE	
21	V837070396	1	ENGINE BLOCK HEATER SEE PAGE 01-0027	
22	V836664377	1	DRAIN VALVE	
23	V836119837	1	HOSE COUPLER	
24	V615881824	1	SEALING WASHER S2	
25	V615881216	1	SEALING WASHER	
26	V640045112	1	PLUG	
27	V528801362	3	HEX CAP SCREW M8 X 16	
28	V836866957	1	COVER	
29	V836866958	1	GASKET S2	
30	V837074224	4	PISTON COOLING JET	
32	V500050840	1	FLAT WASHER	
33	V581705850	2	HEX SOCKET SCREW M14 X 40	
34	V581705890	2	HEX SOCKET SCREW M14 X 60	
35	V837070197	2	SCREW	
38	V504800800	2	NUT M8	
39	V546801400	2	STUD BOLT M8 X 16	
40	V837070297	1	ECU BRACKET	
41	V836855626	3	SPACER	
42	V837074327	6	RUBBER BUSHING	
43	V836120989	3	WASHER	
44	V529801562	2	HEX CAP SCREW M8 X 110	
45	V529801440	1	HEX CAP SCREW M8 X 45	

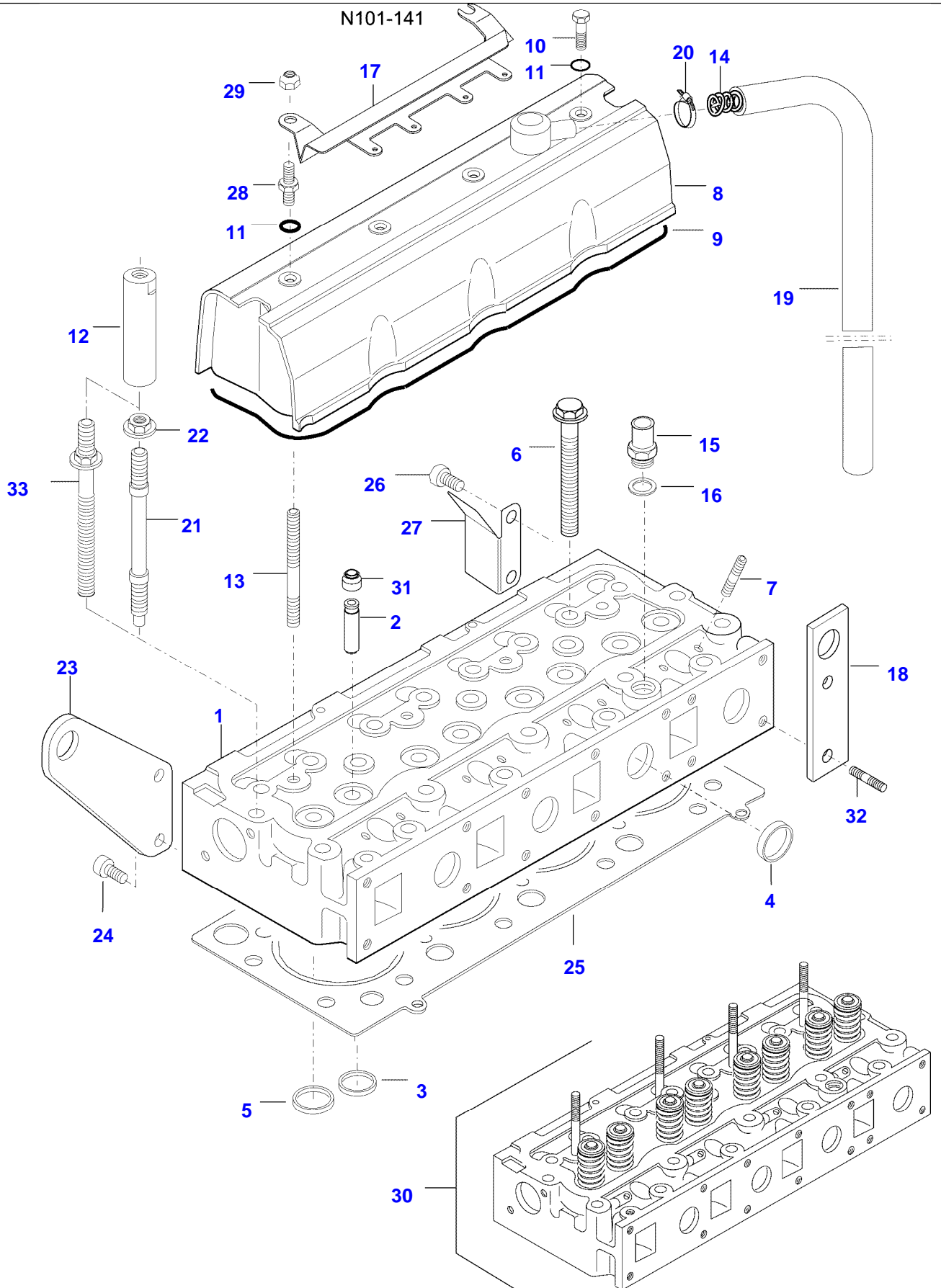
<b>Item</b>	<b>Part Number</b>	<b>Qty</b>	<b>Description Comments</b>	<b>Technical Specification</b>
46	V529801102	8	HEX CAP SCREW M6 X 25	
47	V837070285	1	COVER	
48	V837070286	1	COVER	
201			SEE PAGE 01-0022	

N141LS TRACTOR (N SERIES)  
SPIMG-016-21-04



Item	Part Number	Qty	Description Comments
1	V836764330	1	FLYWHEEL HOUSING
2	V598359850	2	PIN
3	V528702220	8	HEX CAP SCREW M12 X 35
4	V581705030	6	HEX SOCKET SCREW M10 X 30
5	V614500002	1	CRANKSHAFT SEAL S2
6	V581705580	2	HEX SOCKET SCREW M12 X 110
7	V500951200	8	SPRING WASHER
8	V836007572	1	RUBBER PLUG
9	V546801815	3	STUD BOLT M10 X 30
10	V500951000	3	SPRING WASHER
11	V504601000	3	NUT M10
12	V836859311	1	PLUG
13	V836659990	1	FLYWHEEL
14	V835328783	1	STARTER RING
15	V836659527	1	GUIDE SLEEVE
16	V529702250	8	HEX CAP SCREW 150 NM
18	V528702230	8	HEX CAP SCREW 150 NM
19	V546801822	1	STUD BOLT M10 X 35

N141LS TRACTOR (N SERIES)  
SPIMG-016-21-06



Item	Part Number	Qty	Description Comments
1	NS	1	NON-SERVICEABLE PART CYLINDER HEAD
2	V836673175	8	VALVE GUIDE
3	V836647600	4	VALVE SEAT
4	V836647942	8	EXHAUST CUP PLUG
5	V836647936	4	VALVE SEAT
6	V836859104	19	INTAKE HEXAGON FLANGE BOLT -U03013 (M)
	V837069025	19	CYLINDER HEAD BOLT U03014- (M)
8	V836767207	1	VALVE COVER -T13209 (M)
	V837070461	1	VALVE ROCKER COVER T13210- (M)
9	V836767244	1	VALVE ROCKER COVER GASKET S1
10	V540801780	2	HEXAGON FLANGE BOLT
11	V614901030	4	O-RING S1
12	V836667062	2	LIFTING EYE EXTENSION -U8229 (M)
	V836867567	2	LIFTING EYE EXTENSION U8230- (M)
13	V546801900	4	STUD BOLT M10 X 75
14	V836659103	1	SPRING -T13209 (M)
	V837070343	1	SPRING T13210- (M)
15	V836119837	1	HOSE COUPLER
16	V615881822	1	SEALING WASHER S1
17	V837073250	1	SUPPORT
18	V836855349	1	LIFT EYE
19	V836647814	1	RUBBER HOSE -T13209 (M)
	V837073313	1	HOSE FLEXIBLE T13210- (M)
20	V602078532	1	HOSE CLIP
21	V836859109	3	STUD BOLT -U01000 (M)
22	V836859110	3	NUT -U01000(M)
23	V836667203	1	LIFT EYE
24	V581705000	2	HEX SOCKET SCREW M10 X 20
25	V837070291	1	CYLINDER HEAD GASKET S1
26	V581804980	2	HEX SOCKET SCREW M10 X 16
27	V836666199	1	HEAT SHIELD
28	V836667033	2	STUD BOLT
29	V504601000	2	NUT M10
30	V837073264	1	CYLINDER HEAD
31	V837073166	8	VALVE STEM GASKET DIA.9
32	V546801800	2	STUD BOLT U4264- (M)

---

Valtra

N141LS TRACTOR (N SERIES)

VFN141LS

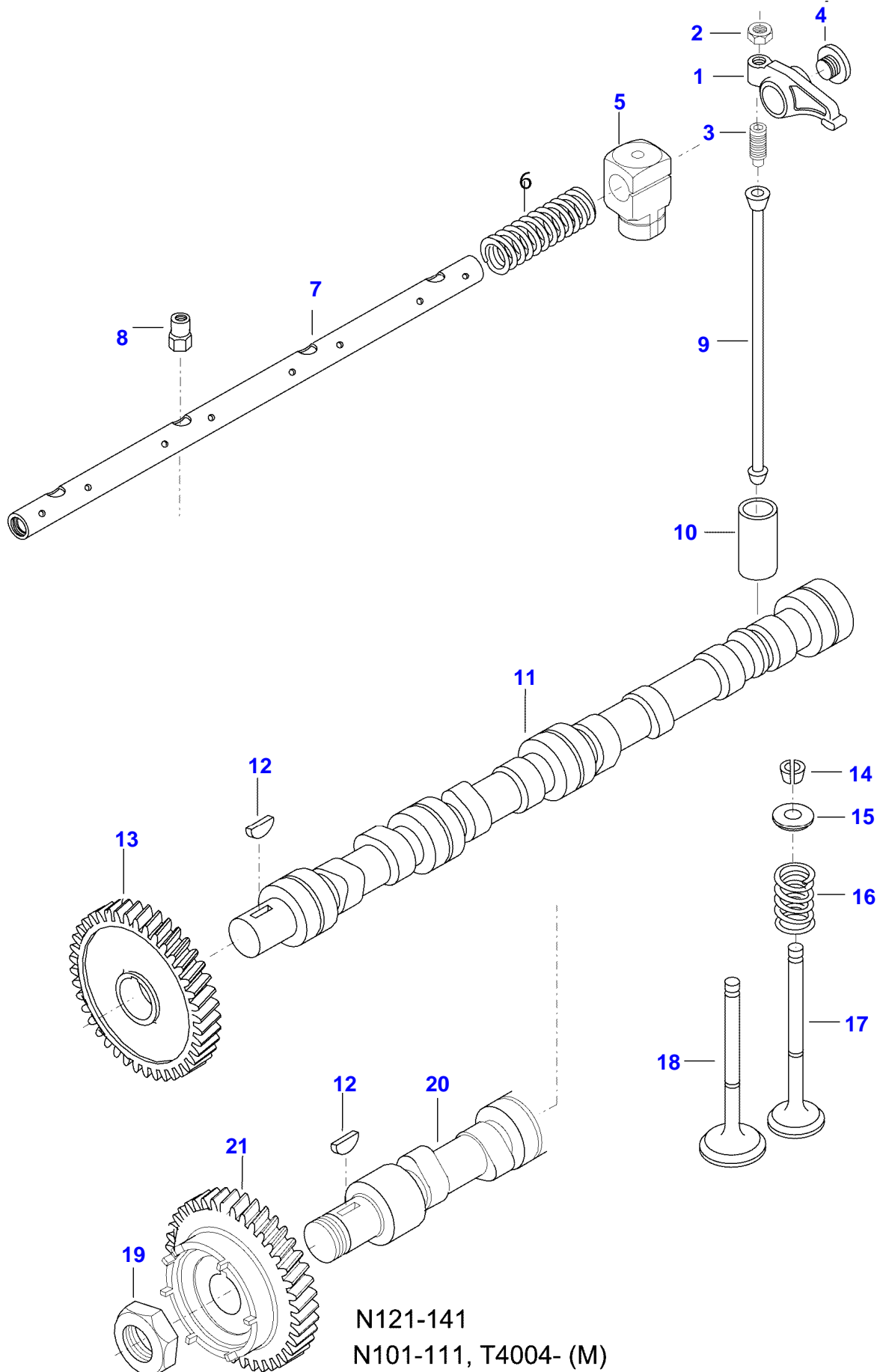
CYLINDER HEAD

Page01-0003

---

Item	Part Number	Qty	Description Comments
33	V837073571	3	CYLINDER HEAD BOLT U01001- (M)

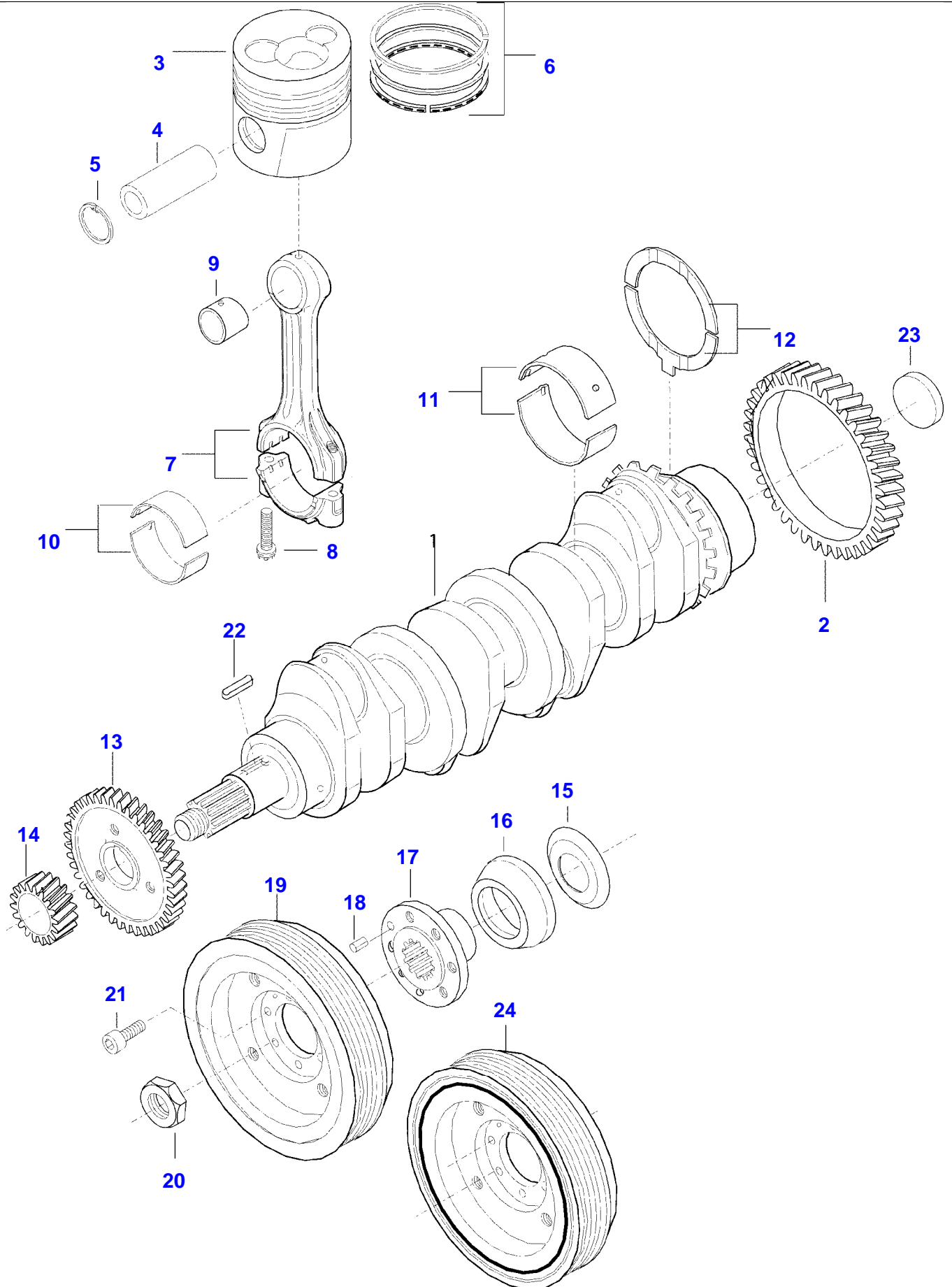
N141LS TRACTOR (N SERIES)  
SPIMG-016-21-08



N121-141  
N101-111, T4004- (M)

Item	Part Number	Qty	Description Comments
	V836767044	1	ROCKER SHAFT ASM ASSEMBLY
1	V836667042	8	ROCKER ARM
2	V512861000	8	NUT
3	V837069023	8	VALVE ROCKER ADJUSTMENT SCREW
4	V837069020	2	PLUG
5	V836666609	4	BRACKET
6	V836655884	3	SPRING
7	V836755871	1	SHAFT
8	V836655406	4	SLEEVE NUT
9	V836655867	8	PUSHROD
10	V836014264	8	TAPPET
11	V836766055	1	CAMSHAFT
12	V603305760	1	WOODRUFF KEY
13	V836646389	1	GEAR,CAMSHAFT
14	V836646382	16	COTTER
15	V836646381	8	WASHER
16	V837073405	8	VALVE SPRING
17	V836646357	4	EXHAUST VALVE
18	V836646356	4	INTAKE VALVE
19	V837069085	1	NUT
20	V837070259	1	CAMSHAFT
21	V837070033	1	GEAR,CAMSHAFT

N141LS TRACTOR (N SERIES)  
SPIMG-016-21-10

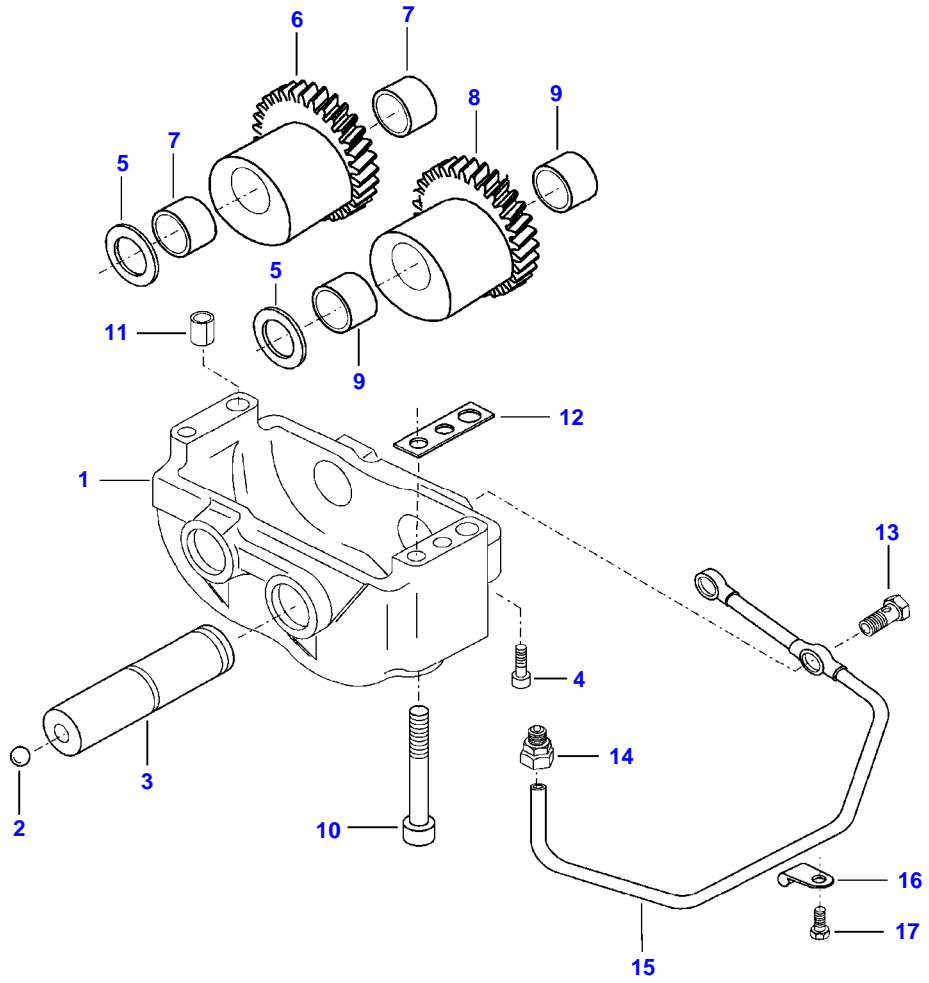


Item	Part Number	Qty	Description Comments	Technical Specification
1	V837070101	1	CRANKSHAFT	
2	V836124524	1	GEAR	
4	NS	4	NON-SERVICEABLE PART	
5	NS	8	PISTON PIN NON-SERVICEABLE PART	
3	V837070041	4	CIRCLIP PISTON	
4	NS	4	NON-SERVICEABLE PART	
5	NS	8	PISTON PIN NON-SERVICEABLE PART	
6	V836640078	4	CIRCLIP PISTON RING KIT	
	V836740859		CONNECTING ROD KIT INCLUDES: REF. 7, 8, 9	
7	NS	4	NON-SERVICEABLE PART	
			CONNECTING ROD 1935-1954 G	
	NS	4	F NON-SERVICEABLE PART	
			CONNECTING ROD 1955-1974 G	
	NS	4	V NON-SERVICEABLE PART	
			CONNECTING ROD 1975-1994 G	
	NS	4	X NON-SERVICEABLE PART	
			CONNECTING ROD 1995-2014 G	
	NS	4	Y NON-SERVICEABLE PART	
			CONNECTING ROD 2015-2034 G	
	NS	4	W NON-SERVICEABLE PART	
			CONNECTING ROD 2035-2054 G	
	NS	4	Z NON-SERVICEABLE PART	
			CONNECTING ROD 2055-2074 G	
8	V836864141	8	G CONNECTING ROD BOLT	
9	V836110646	4	BEARING BUSH	STD
10	V836110552	4	BEARING SHELL	
11	V836655514	5	MAIN BEARING SEE PAGE 01-0026	
12	V836119459	2	THRUST WASHER SEE PAGE 01-0026	
13	V836119550	1	GEAR,CRANKSHAFT	

---

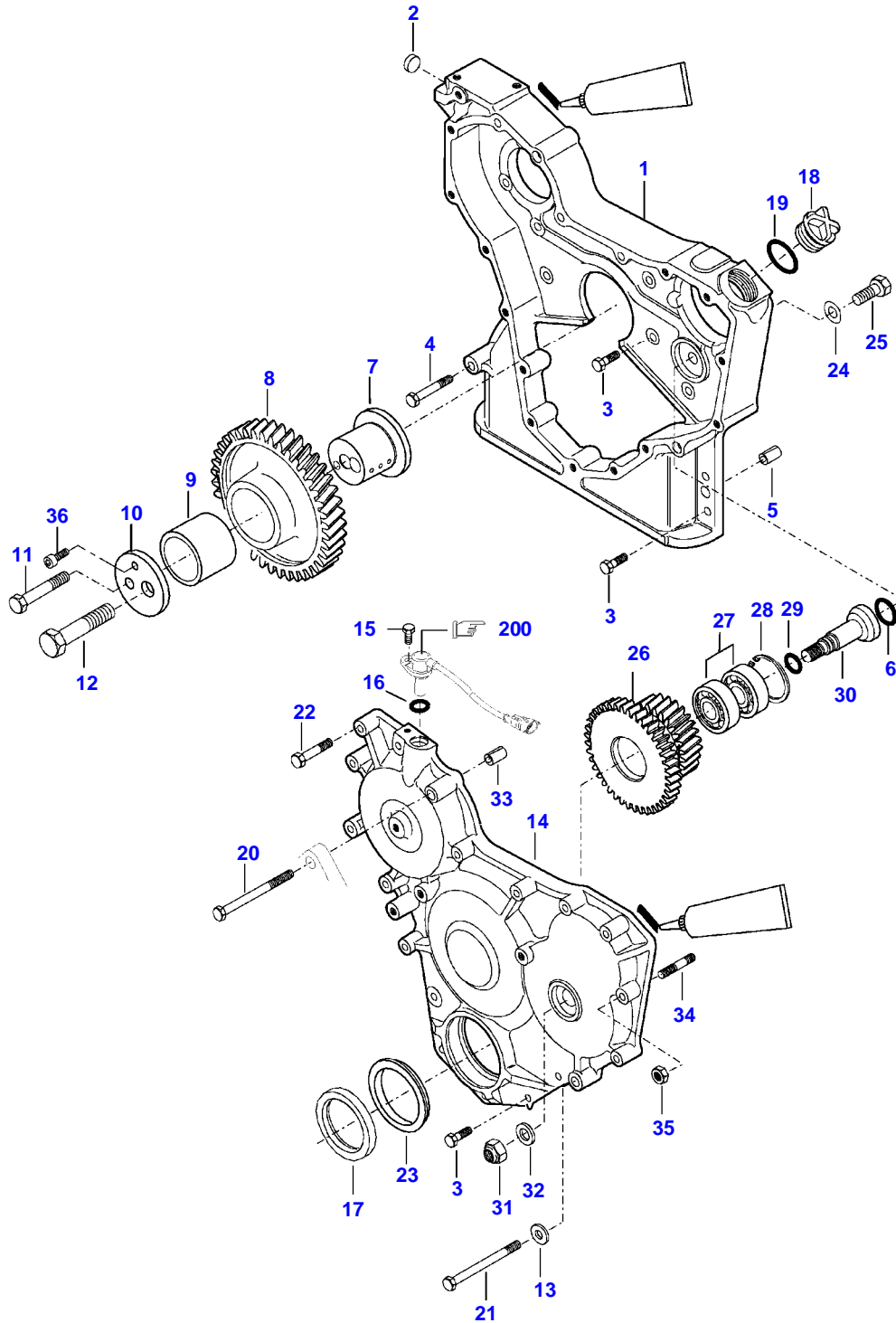
Item	Part Number	Qty	Description Comments	Technical Specification
14	V836667096	1	GEAR,CRANKSHAFT	
15	V836129781	1	RING	
17	V837070459	1	CRANKSHAFT HUB	
18	V595953360	1	PIN	
24	V836766379	1	CRANKSHAFT PULLEY	
20	V836647310	1	CRANKSHAFT NUT	
21	V581804600	6	HEX SOCKET SCREW M8 X 20	
22	V603345110	1	KEY	

N141LS TRACTOR (N SERIES)  
SPIMG-016-21-12



Item	Part Number	Qty	Description Comments
	V836767202	1	COUNTERWEIGHT
1	NS	1	NON-SERVICEABLE PART
			.
2	V616810103	2	FRAME BALL
			.
3	V836146879	2	SHAFT
			.
4	V581804202	2	HEX SOCKET SCREW
			.
5	V836146880	4	M6 X 20 THRUST WASHER
			.
6	V836766121	1	COUNTERWEIGHT
			.
7	V836146876	2	BEARING BUSH
			..
8	V836766122	1	COUNTERWEIGHT
			.
9	V836146876	2	BEARING BUSH
			..
10	V581805170	4	HEX SOCKET SCREW M10 X 100
11	V598359850	2	PIN
12	V836119920	X	SHIM
13	V640435008	2	BANJO BOLT
14	V641016008	1	STRAIGHT FITTING
15	V836747478	1	OIL PIPE
16	V602071608	1	RETAINER CLAMP
17	V528801062	1	HEX CAP SCREW M6 X 16

N141LS TRACTOR (N SERIES)  
SPIMG-016-21-16

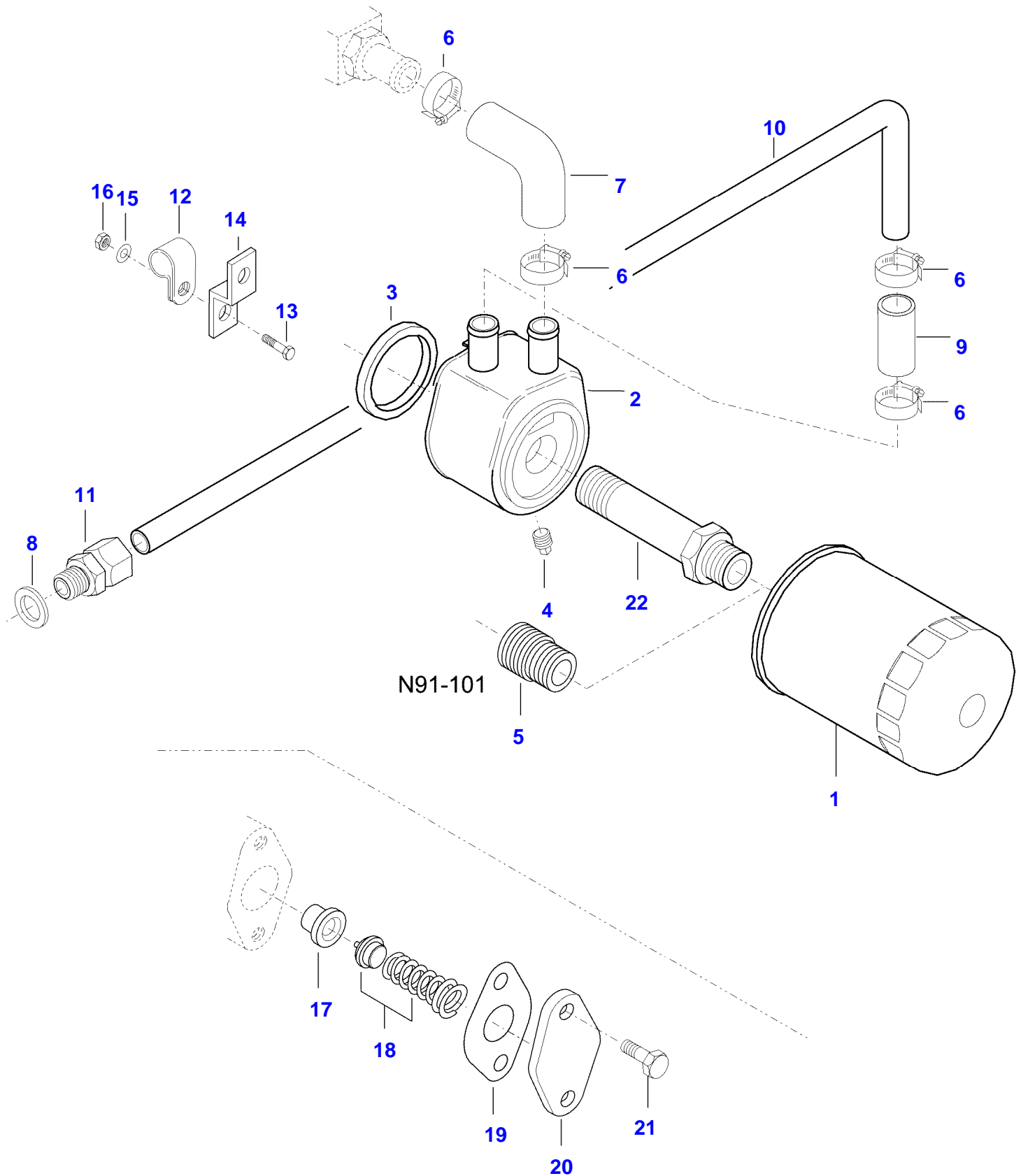


Item	Part Number	Qty	Description Comments
1	V837070025	1	TIMING GEAR CASE
2	V640016016	1	CUP PLUG
3	V528801400	16	HEX CAP SCREW M8 X 25
4	V529801470	1	HEX CAP SCREW M8 X 60
5	V598359850	4	PIN
6	V614601924	1	O-RING S2
7	V836766127	1	SHAFT
8	V837070034	1	GEAR
9	V836139039	1	BUSHING
10	V836129845	1	FLANGE
11	V529801910	1	HEX CAP SCREW M10 X 80
12	V529902720	1	HEX CAP SCREW M14 X 85
13	V836120989	2	WASHER
14	V837070026	1	GEAR HOUSING FRONT COVER
15	V528801062	1	HEX CAP SCREW M6 X 16
16	V614601718	1	O-RING
17	V836673387	1	SHAFT SEAL S2
18	V836017927	1	CAP
19	V614603540	1	O-RING S2
20	V529801560	1	HEX CAP SCREW M8 X 105
21	V529801540	4	HEX CAP SCREW M8 X 95
22	V529801440	7	HEX CAP SCREW M8 X 45
23	V836129782	1	COVER
24	V500951200	1	SPRING WASHER
25	V581705420	1	HEX SOCKET SCREW M12 X 25
	V837070095	1	DUAL GEAR WHEEL
26	V837070111	1	DUAL GEAR WHEEL
27	V610073040	2	BALL BEARING
28	V617330052	1	LOCK RING
29	V614601324	1	O-RING S2
30	V837069069	1	SHAFT
31	V504601400	1	NUT M14
32	V837069070	1	WASHER
33	V598359860	2	PIN
34	V546801450	2	STUD BOLT M8 X 50
35	V504800800	2	NUT M8
36	V581804602	1	HEX SOCKET SCREW M8 X 20

200

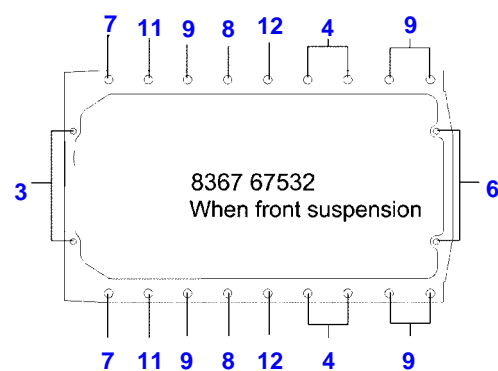
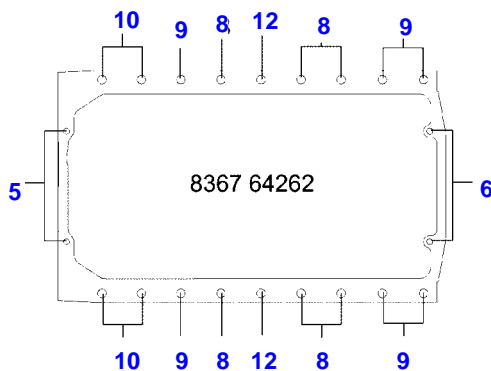
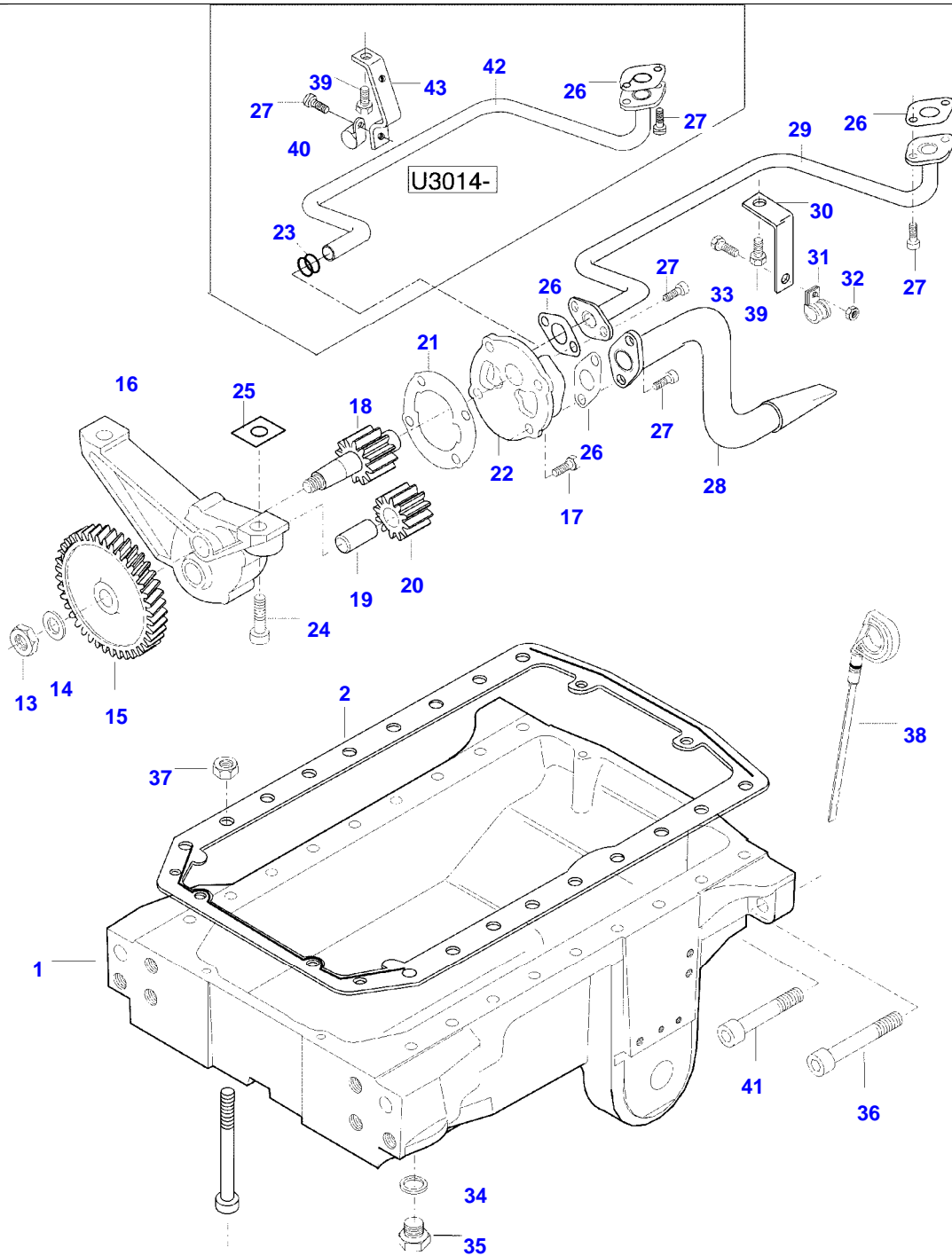
SEE PAGE 01-0022

N141LS TRACTOR (N SERIES)  
SPIMG-016-21-18



Item	Part Number	Qty	Description Comments
1	V836662580	1	ENGINE OIL FILTER
2	V836859699	1	OIL COOLER
3	V836862235	1	SEAL
4	V640004004	1	PLUG
22	V836859700	1	UNION
6	V602079516	4	HOSE CLIP
7	V836859899	1	RUBBER ELBOW
8	V615881822	1	SEALING WASHER S2
9	V836129978	1	RUBBER HOSE
10	V836747848	1	PIPE
11	V641086015	1	STRAIGHT FITTING
12	V602074615	1	RETAINER CLAMP
13	V528801102	1	HEX CAP SCREW M6 X 25
14	V836747849	1	SUPPORT
15	V500050642	2	WASHER
16	V504600602	1	NUT M6
	V836662129	1	OIL PRESSURE CONTROL VALVE
17	V836659521	1	VALVE SEAT
18	V836667649	1	SPRING ASSEMBLY
19	V836322190	1	GASKET S2
20	V836659524	1	COVER
21	V528801382	2	HEX CAP SCREW M6 X 20

# N141LS TRACTOR (N SERIES) SPIMG-016-21-20



Item	Part Number	Qty	Description Comments	Technical Specification
1	V836764262	1	OIL SUMP	
	V836774163	1	OIL SUMP WITH FRONT AXLE SUSPENSION W45103- REF. 100 -W45102	
2	V836129728	1	OIL SUMP GASKET S2	
3	V581704800	2	HEX SOCKET SCREW M8 X 130	
4	V581705480	4	HEX SOCKET SCREW M12 X 55	
5	V581704830	2	HEX SOCKET SCREW M8 X 160	
6	V581704810	2	HEX SOCKET SCREW M8 X 140	
7	V581705610	2	HEX SOCKET SCREW M12 X 140	
8	V581705510	-	HEX SOCKET SCREW M12 X 70	
9	V581705580	6	HEX SOCKET SCREW M12 X 110	
10	V581705640	4	HEX SOCKET SCREW M12 X 170	
11	V581705590	2	HEX SOCKET SCREW M12 X 120	
12	V581705550	2	HEX SOCKET SCREW M12 X 90	
	V836652603	1	LUBRICATING OIL PUMP -U3013(M)	
	V836773146	1	LUBRICATING OIL PUMP U3014- (M)	
13	V504861000	1	NUT . M10	
14	V836122910	1	WASHER .	
15	V836338667	1	GEAR .	
16	V836120195	1	HOUSING .	
17	V528801380	4	HEX CAP SCREW . M8 X 20	
18	V836652600	1	OIL PUMP SHAFT .	
19	V836120191	1	OIL PUMP SHAFT .	
20	V836120193	1	GEAR .	
21	V836119796	1	GASKET .	
			S2	
22	V836119794	1	COVER .	
	V836673145	1	COVER . U3014- (M)	
23	V614702230	1	O-RING . U3014- (M)	
24	V581805050	2	HEX SOCKET SCREW M10 X 40	
25	V836007871	X	SHIM	
26	V836008449	3	GASKET S2	



**Suggest:**

**For more complete manuals. Please go to the home page.**

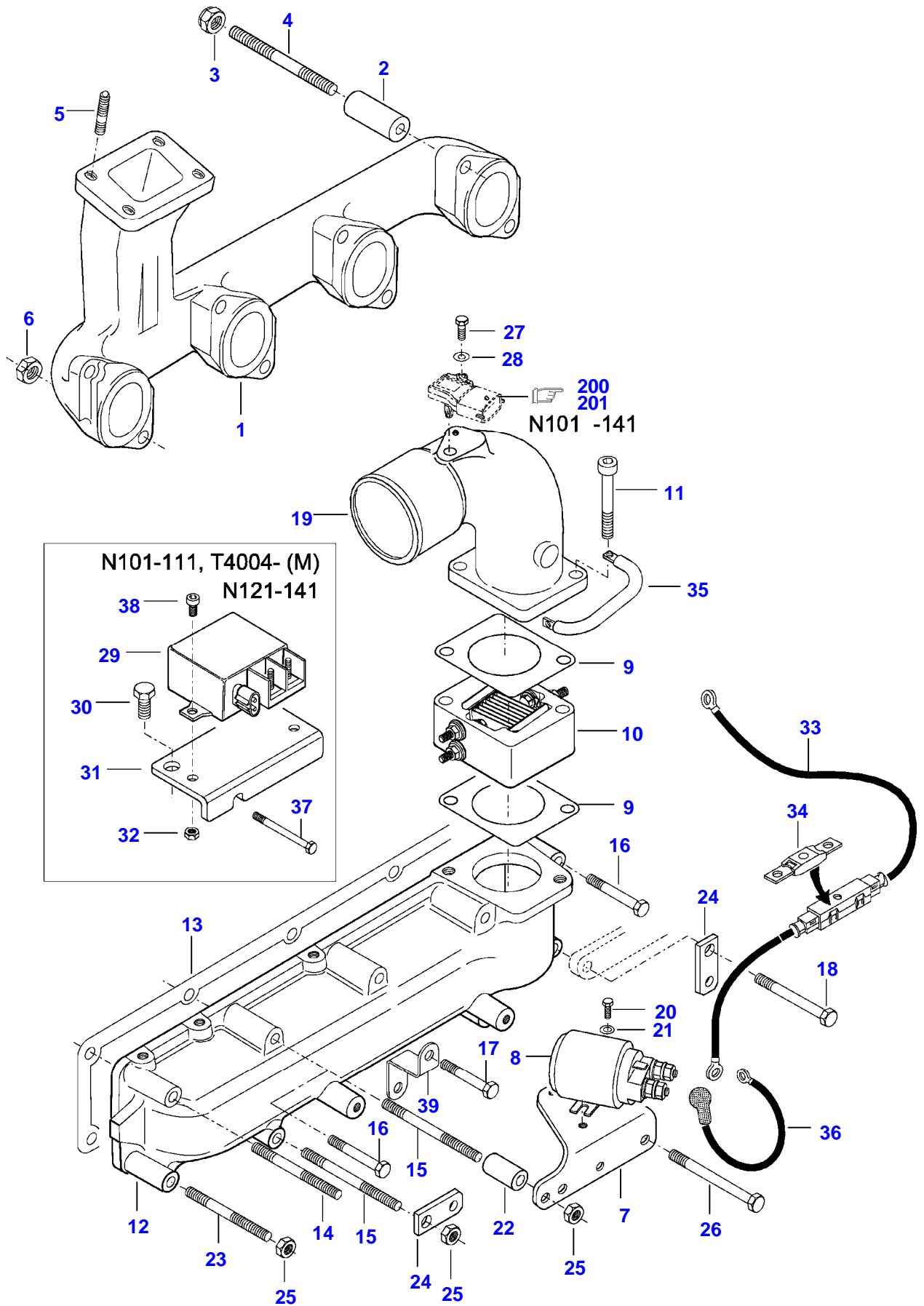
**<https://www.ebooklibonline.com>**

**If the above button click is invalid. Please download this document first, and then click the above link to download the complete manual.**

**Thank you so much for reading**

Item	Part Number	Qty	Description Comments	Technical Specification
27	V581804600	6	HEX SOCKET SCREW M8 X 20	
28	V836673114	1	PIPE	
29	V836746457	1	OIL PIPE -U3013(M)	
42	V836773149	1	OIL PIPE U3014- (M)	
30	V836746572	1	SUPPORT -U3013(M)	
43	V836673150	1	SUPPORT U3014- (M)	
31	V602074618	1	RETAINER CLAMP	
32	V504800800	1	NUT M8	
33	V528801380	1	HEX CAP SCREW M8 X 20	
34	V615881827	1	SEALING WASHER S2	
35	V836655493	1	PLUG	
36	V581706290	4	HEX SOCKET SCREW M16 X 60	
	V581706290	2	HEX SOCKET SCREW M16 X 60 WITH FRONT AXLE SUSPENSION	
37	V504801200	10	NUT M12	
38	V836666908	1	DIPSTICK ORANGE	
	V614900615	1	O-RING	
39	V581705000	1	HEX SOCKET SCREW M10 X 20	
40	V602074522	1	RETAINER CLAMP	
41	V581706270	2	HEX SOCKET SCREW M16 X 50 WITH FRONT AXLE SUSPENSION	
100	V63336500	1	KIT, SUNDRY -W45102 WITH FRONT AXLE SUSPENSION	
	V836774163	1	OIL SUMP	
	V39836800	2	PIN	
	VJB8909	2	LOCKNUT	M24 SFS_EN_ISO_10511 8.8
	V836129728	1	OIL SUMP GASKET	
	V63219200	1	OIL SUMP SHIELD	
	V63219100	1	SENSOR CARRIER	
	V63217400	1	SENSOR LEVER	
	VHN9077	4	HEX SOCKET SCREW	M6 X 10 DIN 6921

N141LS TRACTOR (N SERIES)  
SPIMG-016-21-22



**<https://www.ebooklibonline.com>**

Hello dear friend!

Thank you very much for reading.

Enter the link into your browser.

The full manual is available for immediate download.

**<https://www.ebooklibonline.com>**