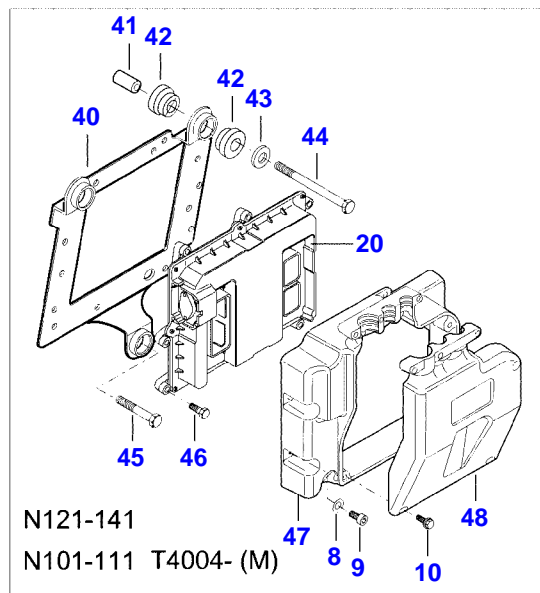
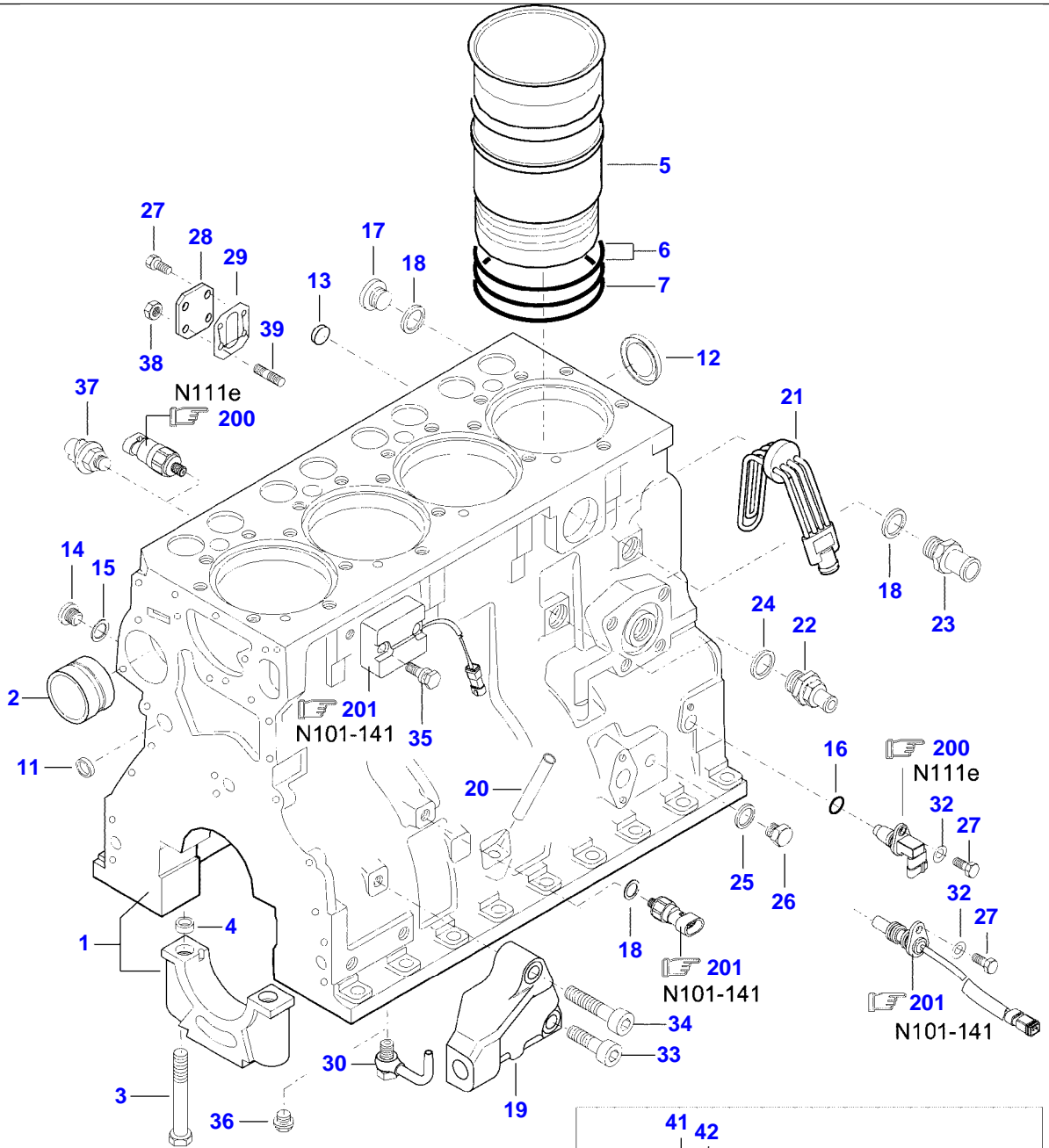


Page Number	Page Title	Page Reference
01-000-TOC	ENGINE, FUEL AND EXHAUST SYSTEM	01-000-TOC
02-000-TOC	AXLES	02-000-TOC
03-000-TOC	STEERING SYSTEM	03-000-TOC
04-000-TOC	DRIVE TRAIN SYSTEM	04-000-TOC
05-000-TOC	BRAKE SYSTEM	05-000-TOC
06-000-TOC	COMPRESSED AIR SYSTEM	06-000-TOC
07-000-TOC	HYDRAULIC SYSTEM	07-000-TOC
08-000-TOC	ELECTRICAL SYSTEM	08-000-TOC
09-000-TOC	CAB	09-000-TOC
10-000-TOC	AIR CONDITIONING AND HEATING SYSTEM	10-000-TOC
11-000-TOC	CHASSIS	11-000-TOC
12-000-TOC	DECALS	12-000-TOC
13-000-TOC	WHEELS	13-000-TOC
14-000-TOC	IMPLEMENT DRIVE SYSTEM	14-000-TOC
15-000-TOC	IMPLEMENT LIFT SYSTEM FRONT	15-000-TOC
16-000-TOC	IMPLEMENT LIFT SYSTEM REAR	16-000-TOC
17-000-TOC	FRONT/REAR LOADERS	17-000-TOC
18-000-TOC	PRECISION FARMING SYSTEMS	18-000-TOC
19-000-TOC	ATTACHMENTS	19-000-TOC
20-000-TOC	GENERAL INFORMATION	20-000-TOC

Page Number	Page Title	Page Reference
01-0001	CYLINDERBLOCK	21-02
01-0002	FLYWHEEL AND HOUSING	21-04
01-0003	CYLINDER HEAD	21-06
01-0004	VALVE MECHANISM	21-08
01-0005	CRANK MECHANISM	21-10
01-0006	BALANCER WEIGHT	21-12
01-0007	GEAR HOUSING	21-16
01-0008	OIL FILTER	21-18
01-0009	OIL SUMP	21-20
01-0010	INTAKE- AND EXHAUST PIPE	21-22
01-0011	AIR INTAKE SYSTEM	21-24
01-0012	PILLAR EXHAUST PIPE	21-26
01-0013	TURBOCHARGER	21-28
01-0014	FUEL FILTER	22-04
01-0015	INJECTION PUMP, COMMON RAIL	22-10
01-0016	SPEED LEVERS -W06100	22-14
01-0017	REBUILDING SET, SPEED LEVERS W06101-	22-16
01-0018	RADIATOR	23-02
01-0019	COOLANT PUMP	23-04
01-0020	STARTERMOTOR	24-02
01-0021	ALTERNATOR T4004- (M)	24-06
01-0022	EEM3 PARTS	24-10
01-0023	WIRING SET, ENGINE -W06100	24-14
01-0024	WIRING SET, ENGINE	24-16
01-0025	ENGINE HEATER STANDARD 2012-	24-20
01-0026	GASKET SETS	28-02
01-0027	ENGINE REPAIR KIT AND BEARING	28-04
01-0028	ENGINE HEATER (OPTIONAL EQUIPMENT) -2011 STANDARD 2012-	29-02

N121H TRACTOR (N SERIES)
 SPIMG-016-21-02



<https://www.ebooklibonline.com>

Hello dear friend!

Thank you very much for reading.

Enter the link into your browser.

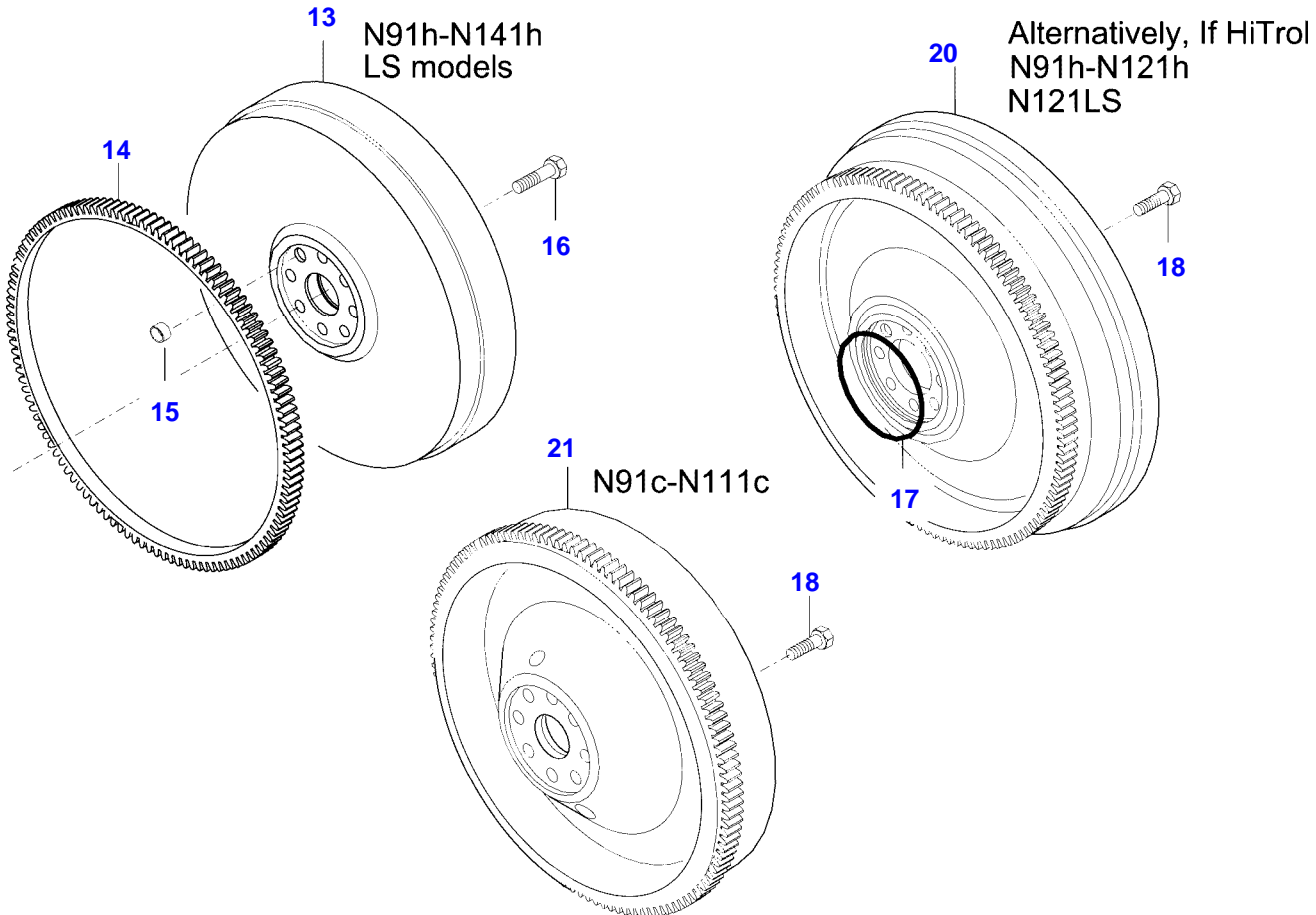
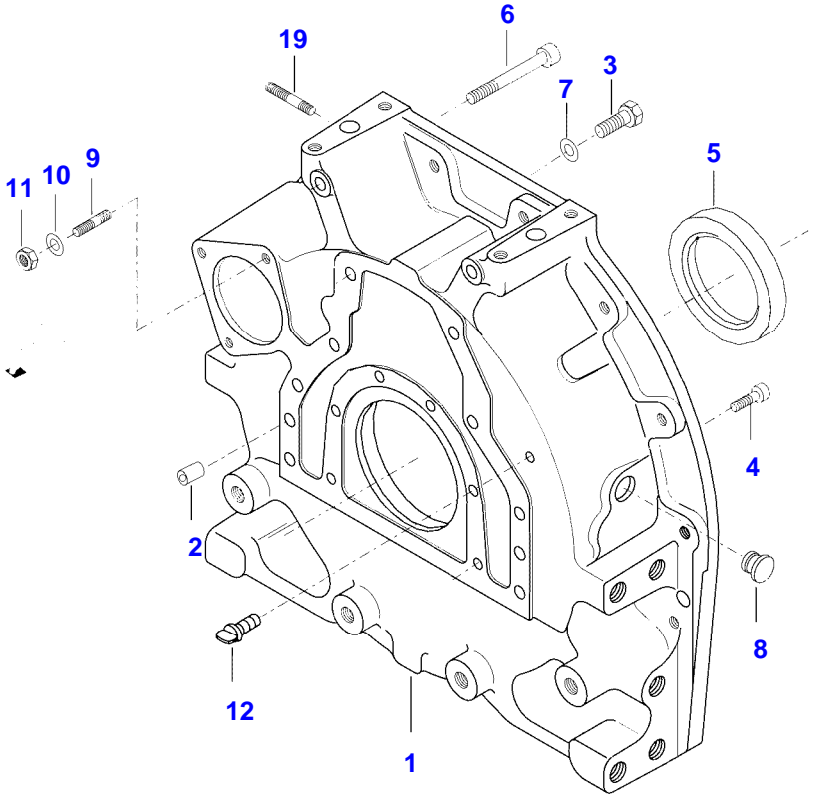
The full manual is available for immediate download.

<https://www.ebooklibonline.com>

Item	Part Number	Qty	Description Comments	Technical Specification
1	V836773437	1	CYLINDER BLOCK	
2	V836866069	1	CAMSHAFT BEARING BUSHING	
3	V835329030	10	HEX CAP SCREW	
4	V836214478	10	GUIDE SLEEVE	
5	V836673191	4	LINER	D108 MM STD
6	V836647502	8	CYLINDER LINER O-RING S2	
7	V836647503	4	CYLINDER LINER O-RING S2	
8	V500150642	5	WASHER	
9	V581804182	5	HEX SOCKET SCREW M6 X 16	
10	V590253388	6	SCREW 5.1 X 14	
11	V640016016	4	CUP PLUG S2	
12	V836529872	1	PLUG	
13	V640016018	1	CUP PLUG	
14	V640325110	2	SCREW PLUG	
15	V615571014	3	SEALING WASHER S2	
16	V614601524	1	O-RING	
17	V640325018	1	PLUG	
18	V615881822	2	SEALING WASHER S2	
19	V836766159	1	ENGINE MOUNT RIGHT	
	V836766160	1	ENGINE MOUNT LEFT	
20	V836666910	1	OIL DIPSTICK GUIDE PIPE	
21	V837070396	1	ENGINE BLOCK HEATER SEE PAGE 01-0028	
22	V836664377	1	DRAIN VALVE	
23	V836119837	1	HOSE COUPLER	
24	V615881824	1	SEALING WASHER S2	
25	V615881216	1	SEALING WASHER	
26	V640045112	1	PLUG	
27	V528801362	3	HEX CAP SCREW M8 X 16	
28	V836866957	1	COVER	
29	V836866958	1	GASKET S2	
30	V837074224	4	PISTON COOLING JET	
32	V500050840	1	FLAT WASHER	
33	V581705850	2	HEX SOCKET SCREW M14 X 40	
34	V581705890	2	HEX SOCKET SCREW M14 X 60	
35	V837070197	2	SCREW	
38	V504800800	2	NUT M8	
39	V546801400	2	STUD BOLT M8 X 16	
40	V837070297	1	ECU BRACKET	
41	V836855626	3	SPACER	
42	V837074327	6	RUBBER BUSHING	
43	V836120989	3	WASHER	
44	V529801562	2	HEX CAP SCREW M8 X 110	
45	V529801440	1	HEX CAP SCREW M8 X 45	

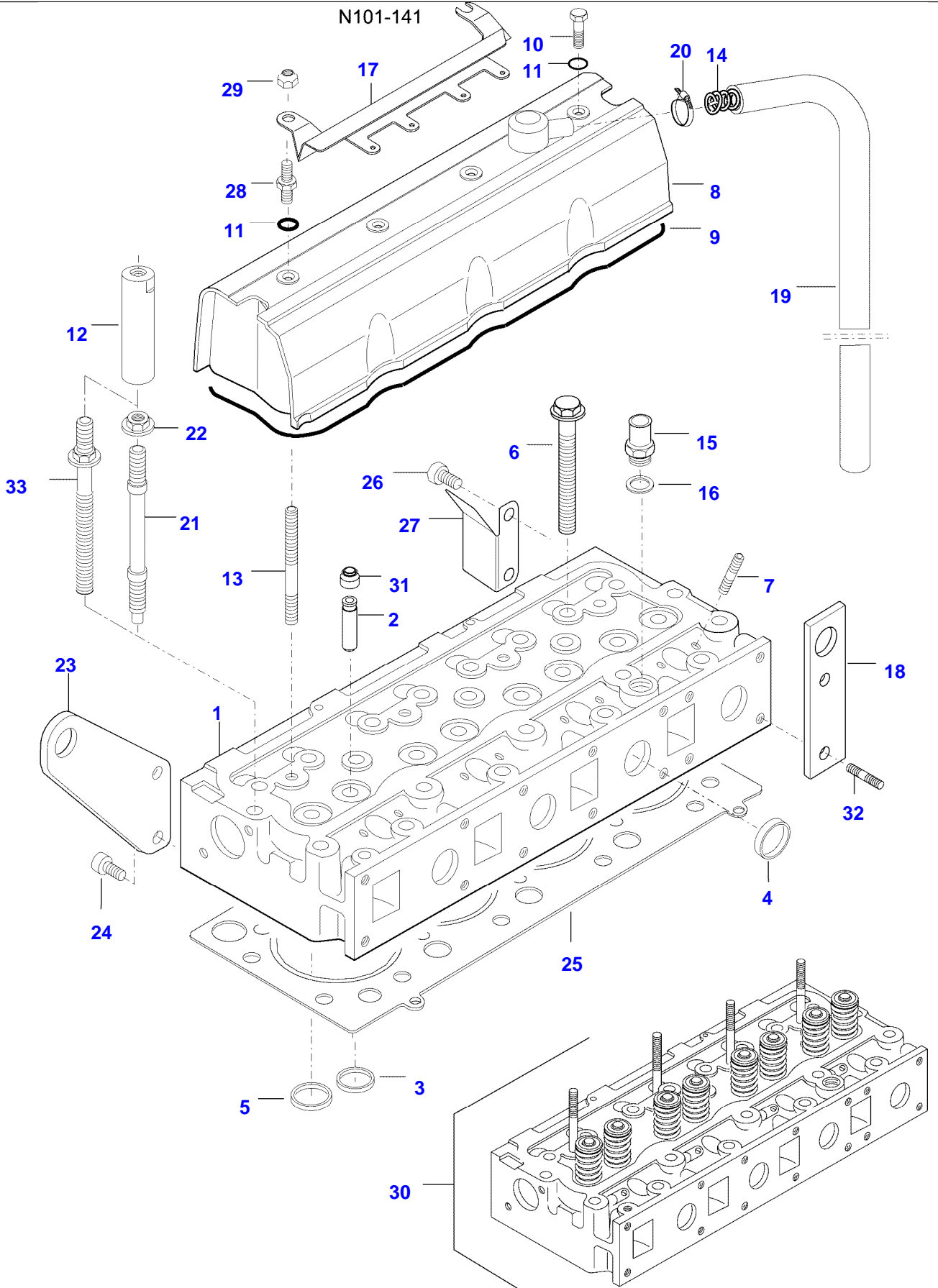
Item	Part Number	Qty	Description Comments	Technical Specification
46	V529801102	8	HEX CAP SCREW M6 X 25	
47	V837070285	1	COVER	
48	V837070286	1	COVER	
201			SEE PAGE 01-0022	

N121H TRACTOR (N SERIES)
SPIMG-016-21-04



Item	Part Number	Qty	Description Comments
1	V836764330	1	FLYWHEEL HOUSING
2	V598359850	2	PIN
3	V528702220	8	HEX CAP SCREW M12 X 35
4	V581705030	6	HEX SOCKET SCREW M10 X 30
5	V614500002	1	CRANKSHAFT SEAL S2
6	V581705580	2	HEX SOCKET SCREW M12 X 110
7	V500951200	8	SPRING WASHER
8	V836007572	1	RUBBER PLUG
9	V546801815	3	STUD BOLT M10 X 30
10	V500951000	3	SPRING WASHER
11	V504601000	3	NUT M10
12	V836859311	1	PLUG
13	V836659990	1	FLYWHEEL
20	V836766185	1	FLYWHEEL HYDRAULIC CLUTCH
14	V835328783	1	STARTER RING
15	V836659527	1	GUIDE SLEEVE
16	V529702250	8	HEX CAP SCREW 150 NM
17	V614610930	1	O-RING HYDRAULIC CLUTCH
18	V528702230	8	HEX CAP SCREW 150 NM
19	V546801822	1	STUD BOLT M10 X 35

N121H TRACTOR (N SERIES)
SPIMG-016-21-06



Item	Part Number	Qty	Description Comments
1	NS	1	NON-SERVICEABLE PART CYLINDER HEAD
2	V836673175	8	VALVE GUIDE
3	V836647600	4	VALVE SEAT
4	V836647942	8	EXHAUST CUP PLUG
5	V836647936	4	VALVE SEAT
6	V836859104	19	INTAKE HEXAGON FLANGE BOLT -U03013 (M)
	V837069025	19	CYLINDER HEAD BOLT U03014- (M)
8	V836767207	1	VALVE COVER -T13209 (M)
	V837070461	1	VALVE ROCKER COVER T13210- (M)
9	V836767244	1	VALVE ROCKER COVER GASKET S1
10	V540801780	2	HEXAGON FLANGE BOLT
11	V614901030	4	O-RING S1
12	V836667062	2	LIFTING EYE EXTENSION -U8229 (M)
	V836867567	2	LIFTING EYE EXTENSION U8230- (M)
13	V546801900	4	STUD BOLT M10 X 75
14	V836659103	1	SPRING -T13209 (M)
	V837070343	1	SPRING T13210- (M)
15	V836119837	1	HOSE COUPLER
16	V615881822	1	SEALING WASHER S1
17	V837073250	1	SUPPORT
18	V836855349	1	LIFT EYE
19	V836647814	1	RUBBER HOSE -T13209 (M)
	V837073313	1	HOSE FLEXIBLE T13210- (M)
20	V602078532	1	HOSE CLIP
21	V836859109	3	STUD BOLT -U01000 (M)
22	V836859110	3	NUT -U01000(M)
23	V836667203	1	LIFT EYE
24	V581705000	2	HEX SOCKET SCREW M10 X 20
25	V837070291	1	CYLINDER HEAD GASKET S1
26	V581804980	2	HEX SOCKET SCREW M10 X 16
27	V836666199	1	HEAT SHIELD
28	V836667033	2	STUD BOLT
29	V504601000	2	NUT M10
30	V837073264	1	CYLINDER HEAD
31	V837073166	8	VALVE STEM GASKET DIA.9
32	V546801800	2	STUD BOLT U4264- (M)

Valtra

N121H TRACTOR (N SERIES)

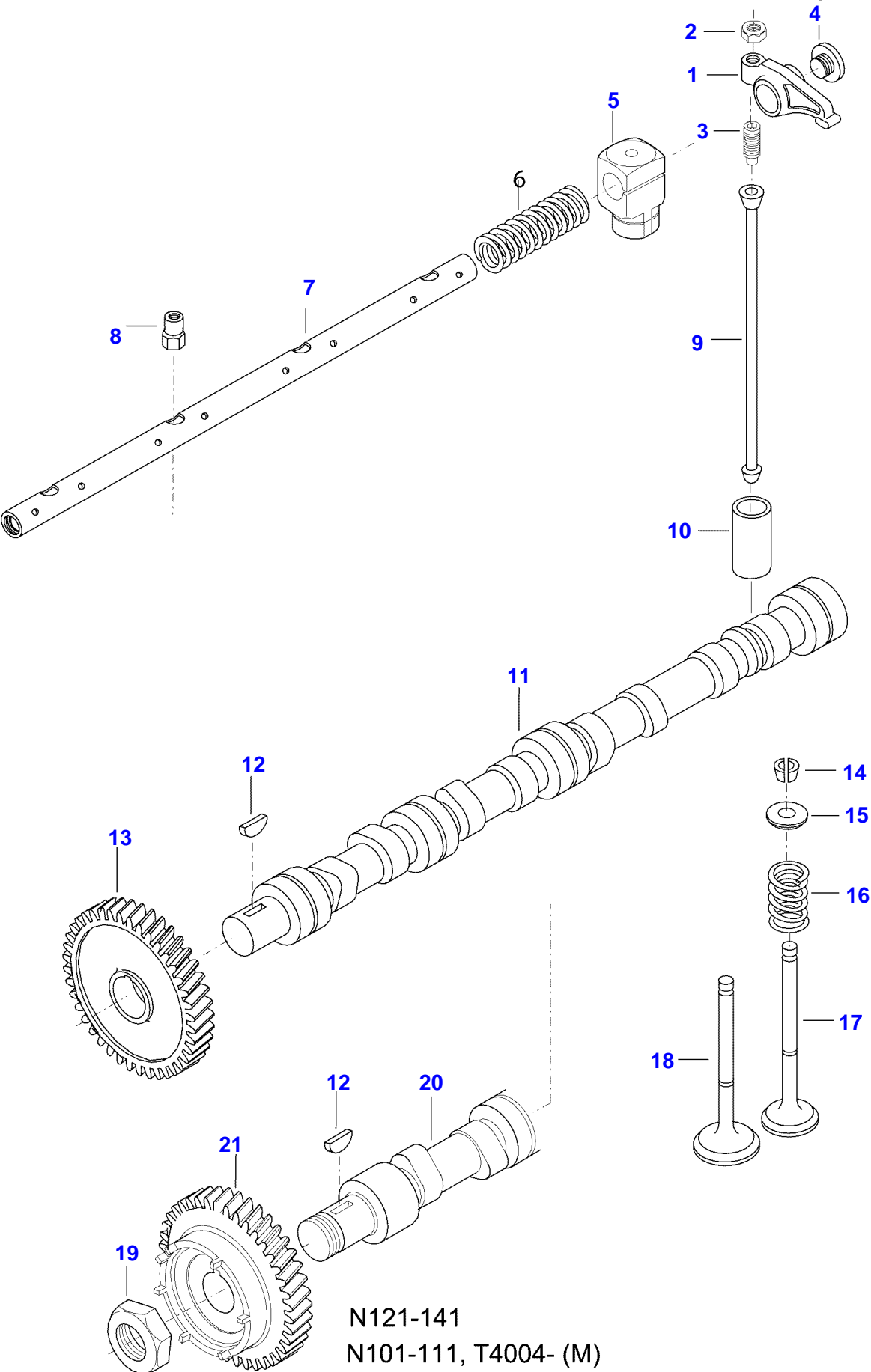
VFN121H

CYLINDER HEAD

Page01-0003

Item	Part Number	Qty	Description Comments
33	V837073571	3	CYLINDER HEAD BOLT U01001- (M)

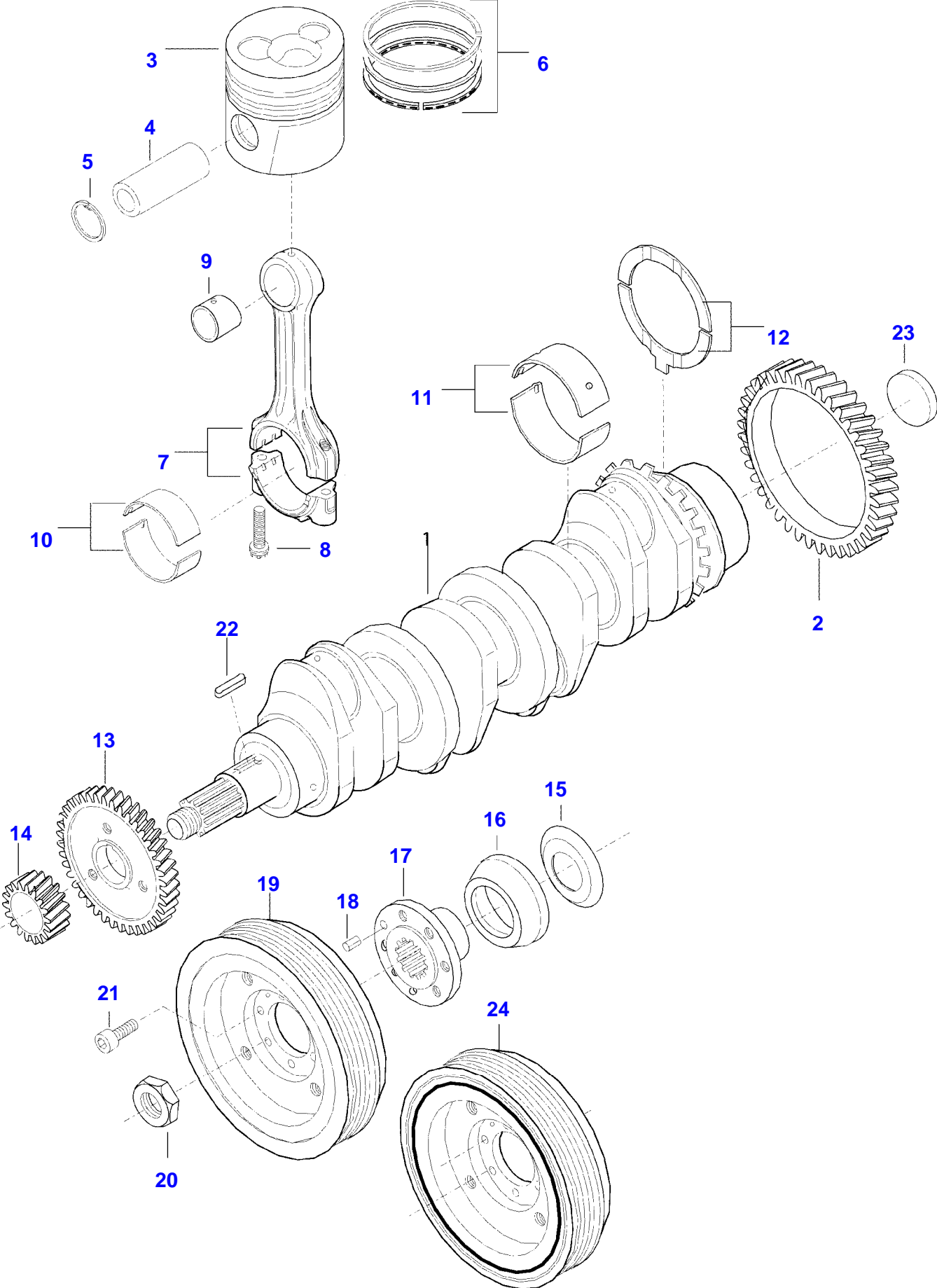
N121H TRACTOR (N SERIES)
SPIMG-016-21-08



N121-141
N101-111, T4004- (M)

Item	Part Number	Qty	Description Comments
	V836767044	1	ROCKER SHAFT ASM ASSEMBLY
1	V836667042	8	ROCKER ARM
2	V512861000	8	NUT
3	V837069023	8	VALVE ROCKER ADJUSTMENT SCREW
4	V837069020	2	PLUG
5	V836666609	4	BRACKET
6	V836655884	3	SPRING
7	V836755871	1	SHAFT
8	V836655406	4	SLEEVE NUT
9	V836655867	8	PUSHROD
10	V836014264	8	TAPPET
11	V836766055	1	CAMSHAFT
12	V603305760	1	WOODRUFF KEY
13	V836646389	1	GEAR,CAMSHAFT
14	V836646382	16	COTTER
15	V836646381	8	WASHER
16	V837073405	8	VALVE SPRING
17	V836646357	4	EXHAUST VALVE
18	V836646356	4	INTAKE VALVE
19	V837069085	1	NUT
20	V837070259	1	CAMSHAFT
21	V837070033	1	GEAR,CAMSHAFT

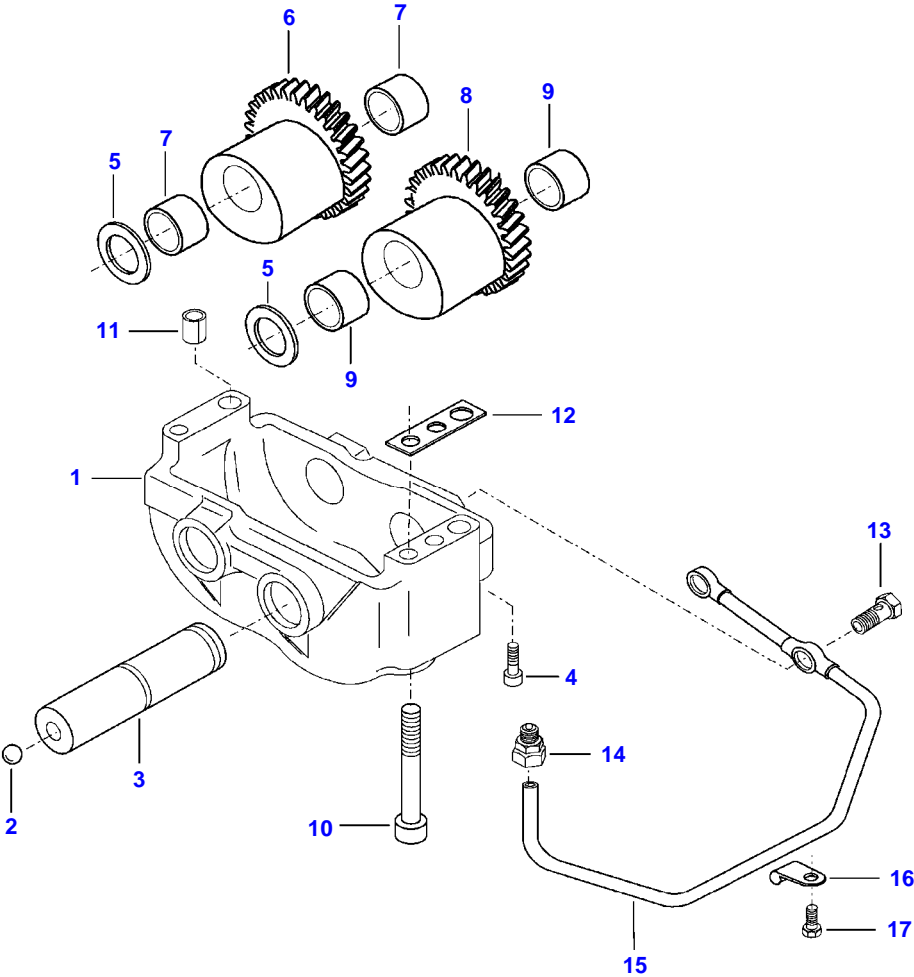
N121H TRACTOR (N SERIES)
SPIMG-016-21-10



Item	Part Number	Qty	Description Comments	Technical Specification
1	V837070099	1	CRANKSHAFT	
2	V836124524	1	GEAR	
4	NS	4	NON-SERVICEABLE PART	
5	NS	8	PISTON PIN NON-SERVICEABLE PART	
3	V837070068	4	CIRCLIP PISTON	
4	NS	4	NON-SERVICEABLE PART	
5	NS	8	PISTON PIN NON-SERVICEABLE PART	
6	V836640078	4	CIRCLIP PISTON RING KIT	
	V836740859		CONNECTING ROD KIT INCLUDES: REF. 7, 8, 9	
7	NS	4	NON-SERVICEABLE PART	
			CONNECTING ROD 1935-1954 G	
	NS	4	F NON-SERVICEABLE PART	
			CONNECTING ROD 1955-1974 G	
	NS	4	V NON-SERVICEABLE PART	
			CONNECTING ROD 1975-1994 G	
	NS	4	X NON-SERVICEABLE PART	
			CONNECTING ROD 1995-2014 G	
	NS	4	Y NON-SERVICEABLE PART	
			CONNECTING ROD 2015-2034 G	
	NS	4	W NON-SERVICEABLE PART	
			CONNECTING ROD 2035-2054 G	
	NS	4	Z NON-SERVICEABLE PART	
			CONNECTING ROD 2055-2074 G	
8	V836864141	8	G CONNECTING ROD BOLT	
9	V836110646	4	BEARING BUSH	STD
10	V836110552	4	BEARING SHELL	
11	V836655514	5	MAIN BEARING SEE PAGE 01-0027	
12	V836119459	2	THRUST WASHER SEE PAGE 01-0027	
13	V836119550	1	GEAR,CRANKSHAFT	

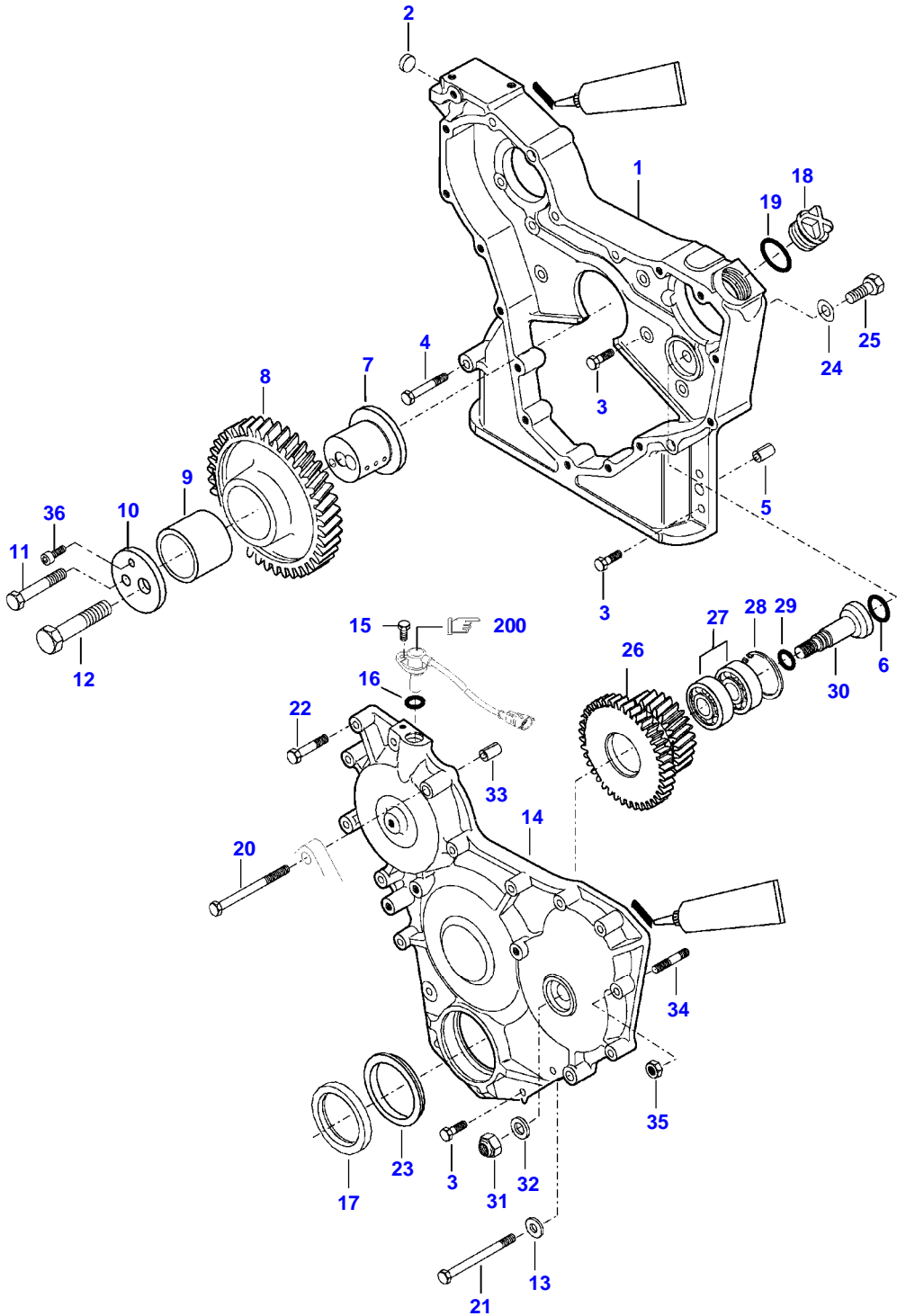
Item	Part Number	Qty	Description Comments	Technical Specification
14	V836667096	1	GEAR,CRANKSHAFT	
15	V836129781	1	RING	
17	V837070459	1	CRANKSHAFT HUB	
18	V595953360	1	PIN	
19	V836766988	1	CRANKSHAFT PULLEY	
20	V836647310	1	CRANKSHAFT NUT	
21	V581804600	6	HEX SOCKET SCREW M8 X 20	
22	V603345110	1	KEY	
23	V836652250	1	PLUG HITROL	

N121H TRACTOR (N SERIES)
SPIMG-016-21-12



Item	Part Number	Qty	Description Comments
	V836766123	1	COUNTERWEIGHT
1	NS	1	NON-SERVICEABLE PART
			.
2	V616810103	2	FRAME BALL
			.
3	V836146879	2	SHAFT
			.
4	V581804202	2	HEX SOCKET SCREW
			.
5	V836146880	4	M6 X 20 THRUST WASHER
			.
6	V836766121	1	COUNTERWEIGHT
			.
7	V836146876	2	BEARING BUSH
			..
8	V836766122	1	COUNTERWEIGHT
			.
9	V836146876	2	BEARING BUSH
			..
10	V581805170	4	HEX SOCKET SCREW M10 X 100
11	V598359850	2	PIN
12	V836119920	X	SHIM
13	V640435008	2	BANJO BOLT
14	V641016008	1	STRAIGHT FITTING
15	V836747478	1	OIL PIPE
16	V602071608	1	RETAINER CLAMP
17	V528801062	1	HEX CAP SCREW M6 X 16

N121H TRACTOR (N SERIES)
SPIMG-016-21-16

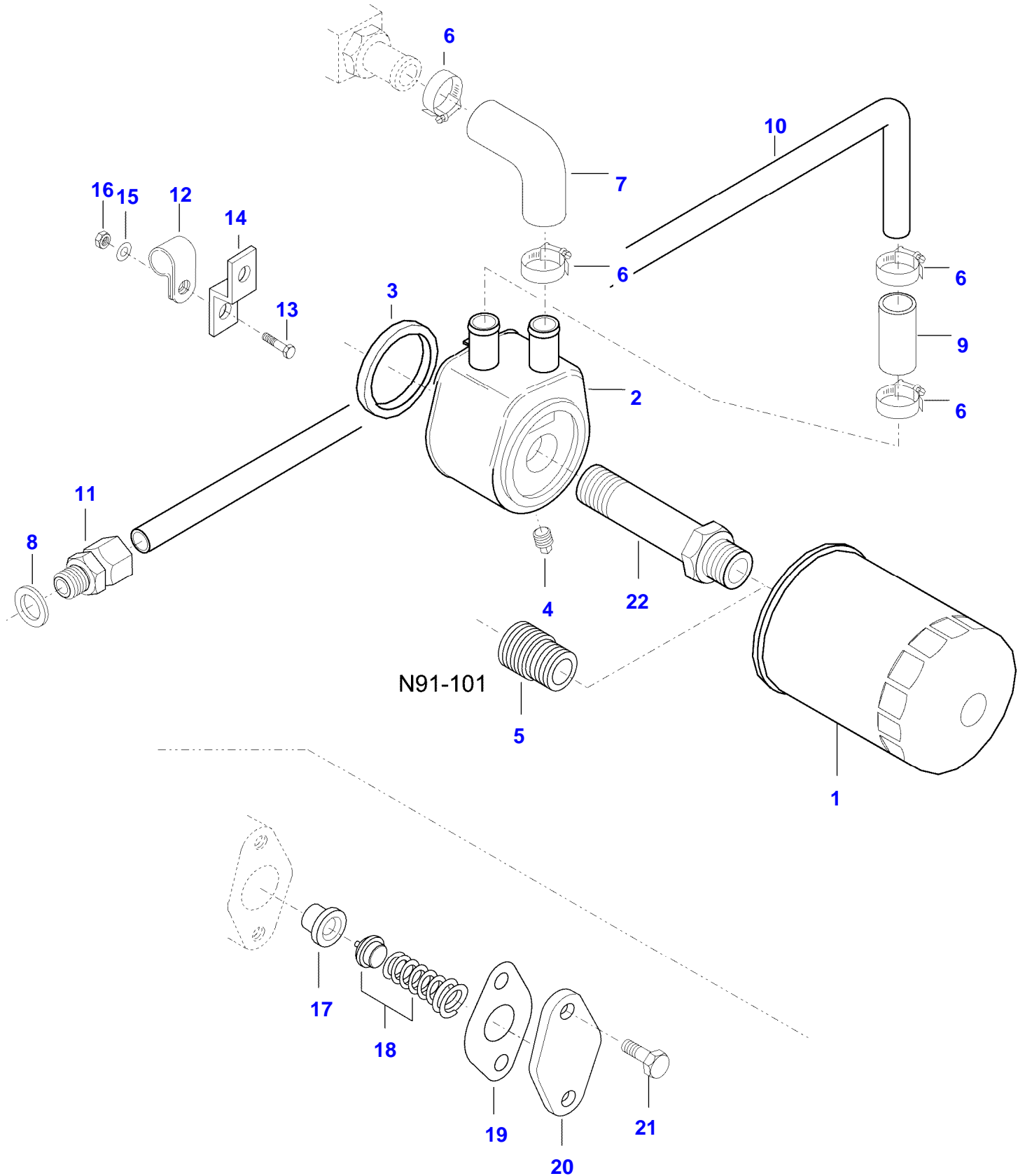


Item	Part Number	Qty	Description Comments
1	V837070025	1	TIMING GEAR CASE
2	V640016016	1	CUP PLUG
3	V528801400	16	HEX CAP SCREW M8 X 25
4	V529801470	1	HEX CAP SCREW M8 X 60
5	V598359850	4	PIN
6	V614601924	1	O-RING S2
7	V836766127	1	SHAFT
8	V837070034	1	GEAR
9	V836139039	1	BUSHING
10	V836129845	1	FLANGE
11	V529801910	1	HEX CAP SCREW M10 X 80
12	V529902720	1	HEX CAP SCREW M14 X 85
13	V836120989	2	WASHER
14	V837070026	1	GEAR HOUSING FRONT COVER
15	V528801062	1	HEX CAP SCREW M6 X 16
16	V614601718	1	O-RING
17	V836673387	1	SHAFT SEAL S2
18	V836017927	1	CAP
19	V614603540	1	O-RING S2
20	V529801560	1	HEX CAP SCREW M8 X 105
21	V529801540	4	HEX CAP SCREW M8 X 95
22	V529801440	7	HEX CAP SCREW M8 X 45
23	V836129782	1	COVER
24	V500951200	1	SPRING WASHER
25	V581705420	1	HEX SOCKET SCREW M12 X 25
	V837070095	1	DUAL GEAR WHEEL
26	V837070111	1	DUAL GEAR WHEEL
27	V610073040	2	BALL BEARING
28	V617330052	1	LOCK RING
29	V614601324	1	O-RING S2
30	V837069069	1	SHAFT
31	V504601400	1	NUT M14
32	V837069070	1	WASHER
33	V598359860	2	PIN
34	V546801450	2	STUD BOLT M8 X 50
35	V504800800	2	NUT M8
36	V581804602	1	HEX SOCKET SCREW M8 X 20

200

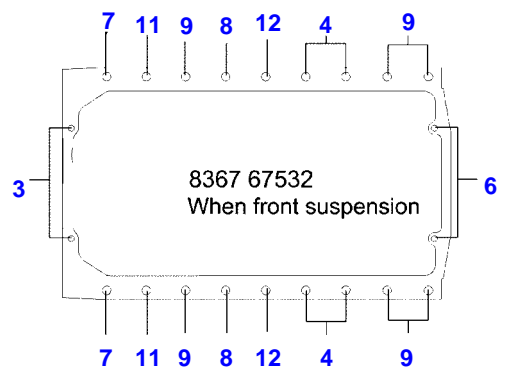
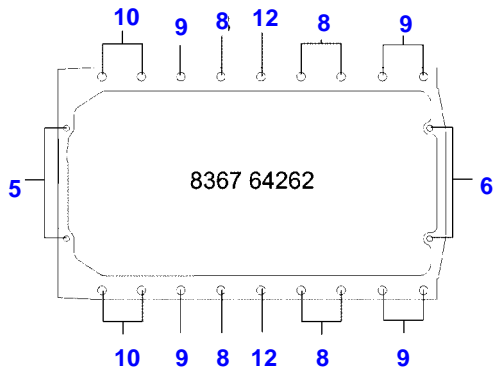
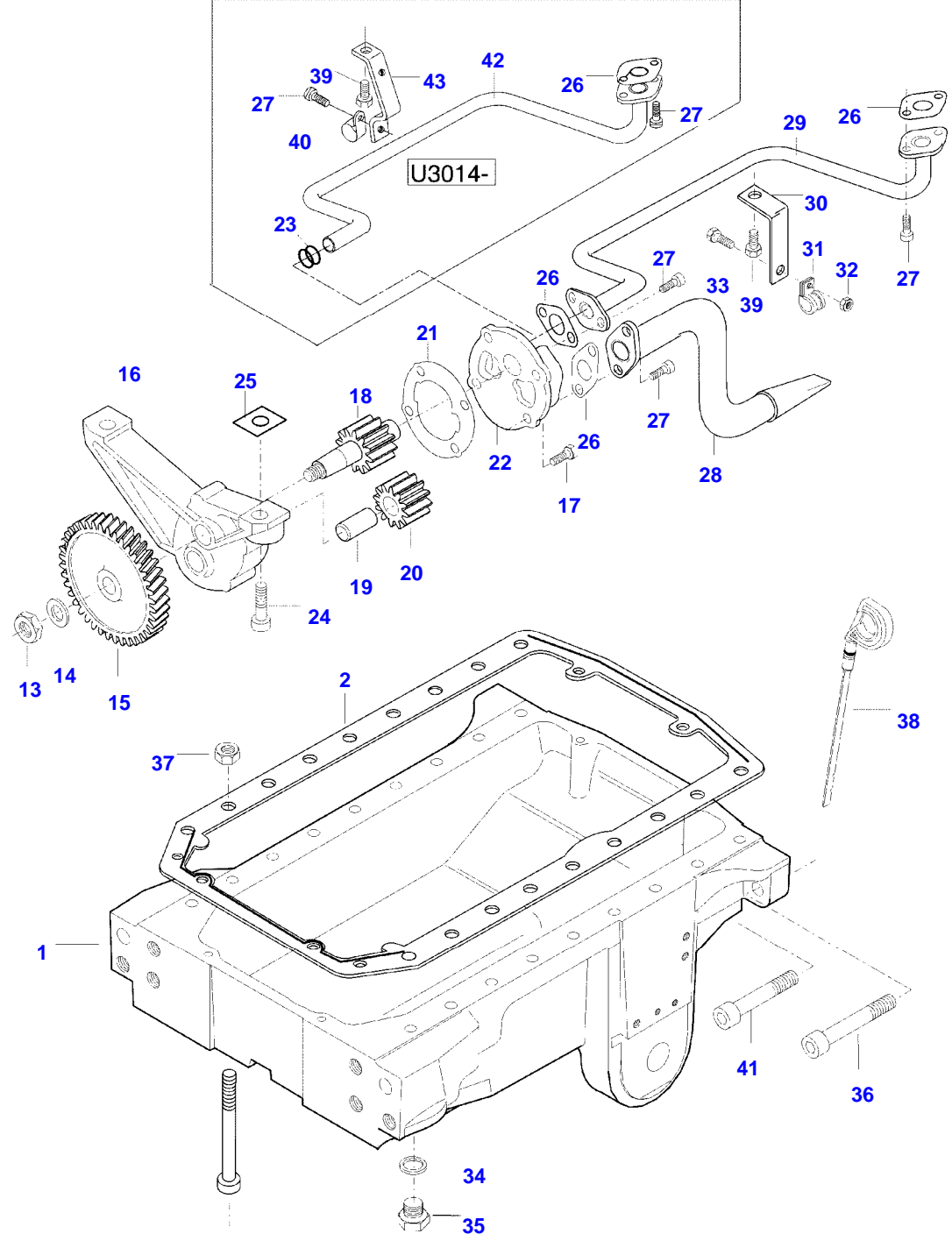
SEE PAGE 01-0022

N121H TRACTOR (N SERIES)
SPIMG-016-21-18



Item	Part Number	Qty	Description Comments
1	V836662580	1	ENGINE OIL FILTER
2	V836859699	1	OIL COOLER
3	V836862235	1	SEAL
4	V640004004	1	PLUG
22	V836859700	1	UNION
6	V602079516	4	HOSE CLIP
7	V836859899	1	RUBBER ELBOW
8	V615881822	1	SEALING WASHER S2
9	V836129978	1	RUBBER HOSE
10	V836747848	1	PIPE
11	V641086015	1	STRAIGHT FITTING
12	V602074615	1	RETAINER CLAMP
13	V528801102	1	HEX CAP SCREW M6 X 25
14	V836747849	1	SUPPORT
15	V500050642	2	WASHER
16	V504600602	1	NUT M6
	V836662129	1	OIL PRESSURE CONTROL VALVE
17	V836659521	1	VALVE SEAT
18	V836667649	1	SPRING ASSEMBLY
19	V836322190	1	GASKET S2
20	V836659524	1	COVER
21	V528801382	2	HEX CAP SCREW M6 X 20

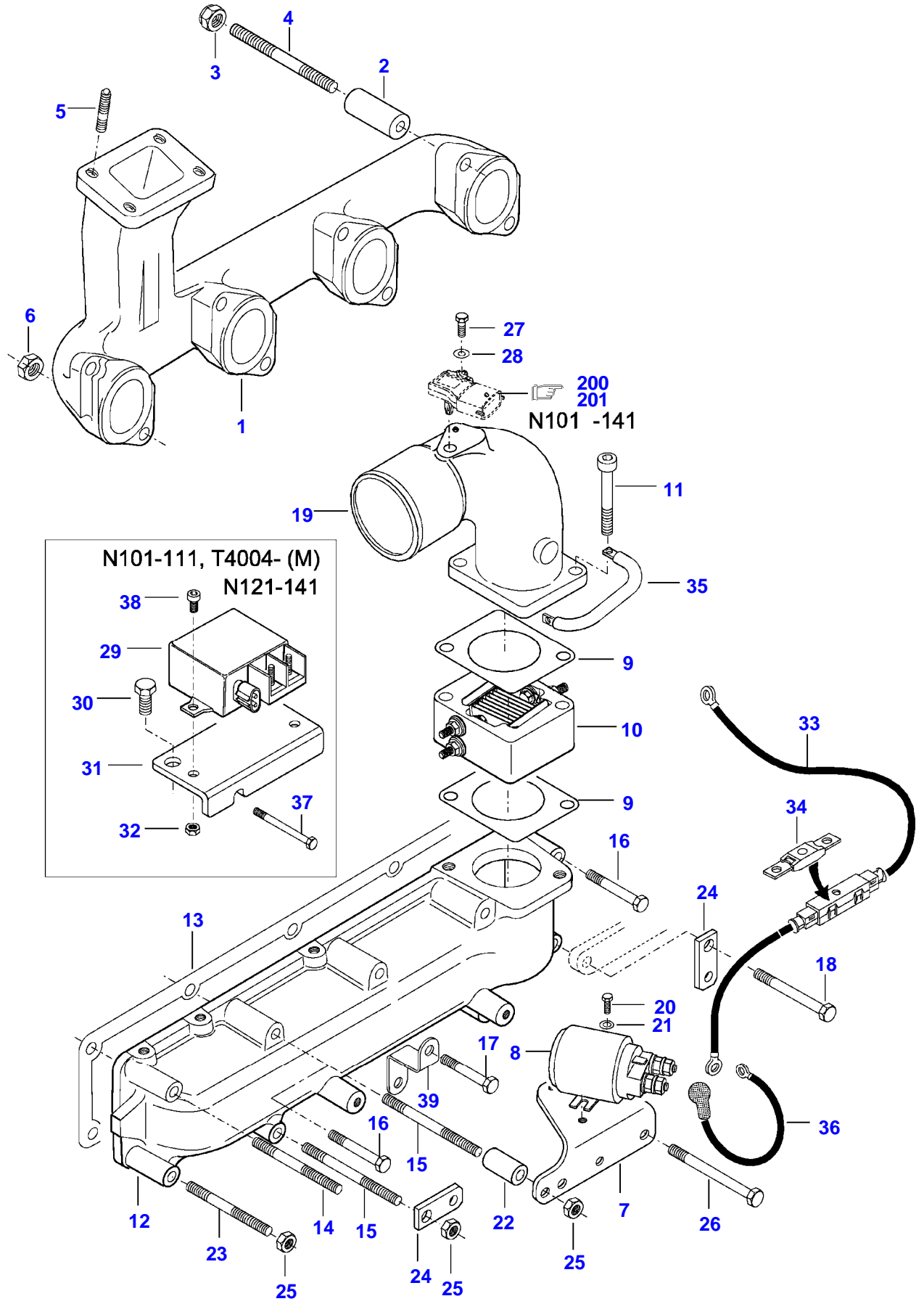
N121H TRACTOR (N SERIES)
SPIMG-016-21-20



Item	Part Number	Qty	Description Comments	Technical Specification
1	V836764262	1	OIL SUMP	
	V836774163	1	OIL SUMP WITH FRONT AXLE SUSPENSION W45103- REF. 100 -W45102	
2	V836129728	1	OIL SUMP GASKET S2	
3	V581704800	2	HEX SOCKET SCREW M8 X 130	
4	V581705480	4	HEX SOCKET SCREW M12 X 55	
5	V581704830	2	HEX SOCKET SCREW M8 X 160	
6	V581704810	2	HEX SOCKET SCREW M8 X 140	
7	V581705610	2	HEX SOCKET SCREW M12 X 140	
8	V581705510	-	HEX SOCKET SCREW M12 X 70	
9	V581705580	6	HEX SOCKET SCREW M12 X 110	
10	V581705640	4	HEX SOCKET SCREW M12 X 170	
11	V581705590	2	HEX SOCKET SCREW M12 X 120	
12	V581705550	2	HEX SOCKET SCREW M12 X 90	
	V836652603	1	LUBRICATING OIL PUMP -U3013(M)	
	V836773146	1	LUBRICATING OIL PUMP U3014- (M)	
13	V504861000	1	NUT . M10	
14	V836122910	1	WASHER .	
15	V836338667	1	GEAR .	
16	V836120195	1	HOUSING .	
17	V528801380	4	HEX CAP SCREW . M8 X 20	
18	V836652600	1	OIL PUMP SHAFT .	
19	V836120191	1	OIL PUMP SHAFT .	
20	V836120193	1	GEAR .	
21	V836119796	1	GASKET .	
			S2	
22	V836119794	1	COVER .	
	V836673145	1	COVER . U3014- (M)	
23	V614702230	1	O-RING . U3014- (M)	
24	V581805050	2	HEX SOCKET SCREW M10 X 40	
25	V836007871	X	SHIM	
26	V836008449	3	GASKET S2	

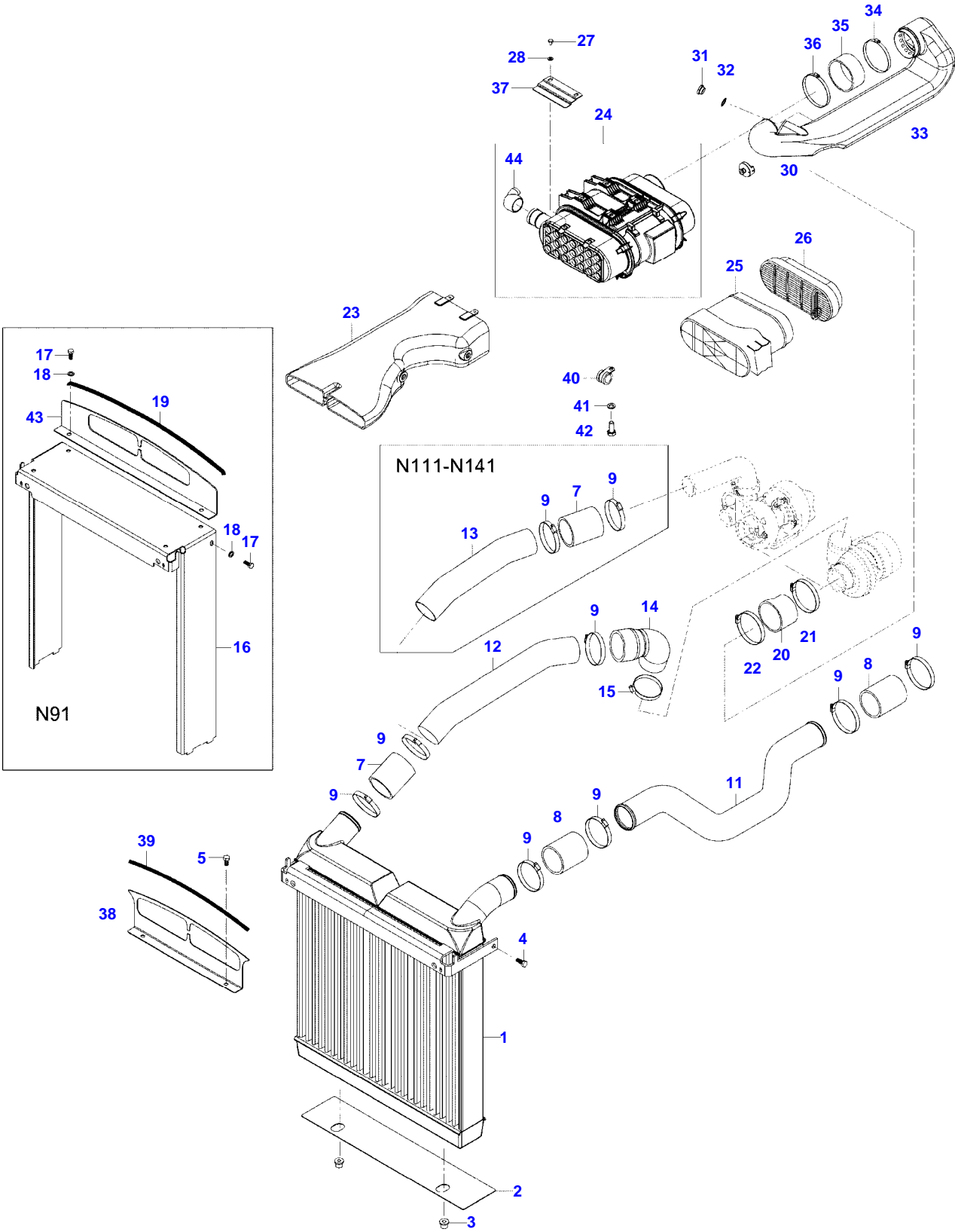
Item	Part Number	Qty	Description Comments	Technical Specification
27	V581804600	6	HEX SOCKET SCREW M8 X 20	
28	V836673114	1	PIPE	
29	V836746457	1	OIL PIPE -U3013(M)	
42	V836773149	1	OIL PIPE U3014- (M)	
30	V836746572	1	SUPPORT -U3013(M)	
43	V836673150	1	SUPPORT U3014- (M)	
31	V602074618	1	RETAINER CLAMP	
32	V504800800	1	NUT M8	
33	V528801380	1	HEX CAP SCREW M8 X 20	
34	V615881827	1	SEALING WASHER S2	
35	V836655493	1	PLUG	
36	V581706290	4	HEX SOCKET SCREW M16 X 60	
	V581706290	2	HEX SOCKET SCREW M16 X 60 WITH FRONT AXLE SUSPENSION	
37	V504801200	10	NUT M12	
38	V836666908	1	DIPSTICK ORANGE	
	V614900615	1	O-RING	
39	V581705000	1	HEX SOCKET SCREW M10 X 20	
40	V602074522	1	RETAINER CLAMP	
41	V581706270	2	HEX SOCKET SCREW M16 X 50 WITH FRONT AXLE SUSPENSION	
100	V63336500	1	KIT, SUNDRY -W45102 WITH FRONT AXLE SUSPENSION	
	V836774163	1	OIL SUMP	
	V39836800	2	PIN	
	VJB8909	2	LOCKNUT	M24 SFS_EN_ISO_10511 8.8
	V836129728	1	OIL SUMP GASKET	
	V63219200	1	OIL SUMP SHIELD	
	V63219100	1	SENSOR CARRIER	
	V63217400	1	SENSOR LEVER	
	VHN9077	4	HEX SOCKET SCREW	M6 X 10 DIN 6921

N121H TRACTOR (N SERIES)
SPIMG-016-21-22



Item	Part Number	Qty	Description Comments
1	V836766932	1	EXHAUST MANIFOLD
2	V836652803	8	SPACER PIECE
3	V513601002	4	NUT M10
4	V836859188	8	STUD BOLT M10 X 100
5	V546801380	4	STUD BOLT M8 X 20
6	V504601000	4	NUT M10
8	V836666759	1	SOLENOID
9	V836666074	2	GASKET S1
10	V836666073	1	INTAKE AIR PREHEATER 12V/1.2KW
11	V529801850	2	HEX CAP SCREW M10 X 50
12	V837070298	1	INTAKE MANIFOLD
13	V836747595	1	INTAKE MANIFOLD GASKET S1
14	V546801490	1	STUD BOLT M8 X 70
16	V529801470	3	HEX CAP SCREW M8 X 60
17	V529801450	1	HEX CAP SCREW M8 X 50
18	V529801500	1	HEX CAP SCREW M8 X 75
19	V837067746	1	AIR PIPE
20	V528800760	2	HEX CAP SCREW M5 X 16
21	V500150532	2	WASHER
22	V836136475	2	SPACER PIECE
23	V546801500	1	STUD BOLT M8 X 75
25	V504800800	4	NUT M8
26	V529801530	1	HEX CAP SCREW M8 X 90
27	V528801082	1	HEX CAP SCREW M6 X 20
28	V500050642	1	WASHER
29	V837069047	1	RELAY
30	V528801750	1	HEX CAP SCREW M10 X 12
31	V837070311	1	BRACKET
32	V510600602	2	NUT M6
37	V529801480	1	HEX CAP SCREW M8 X 65
38	V581804182	2	HEX SOCKET SCREW M6 X 16
39	V837070472	1	SUPPORT
201			SEE PAGE 01-0022

N121H TRACTOR (N SERIES)
 SPIMG-016-21-24





Suggest:

For more complete manuals. Please go to the home page.

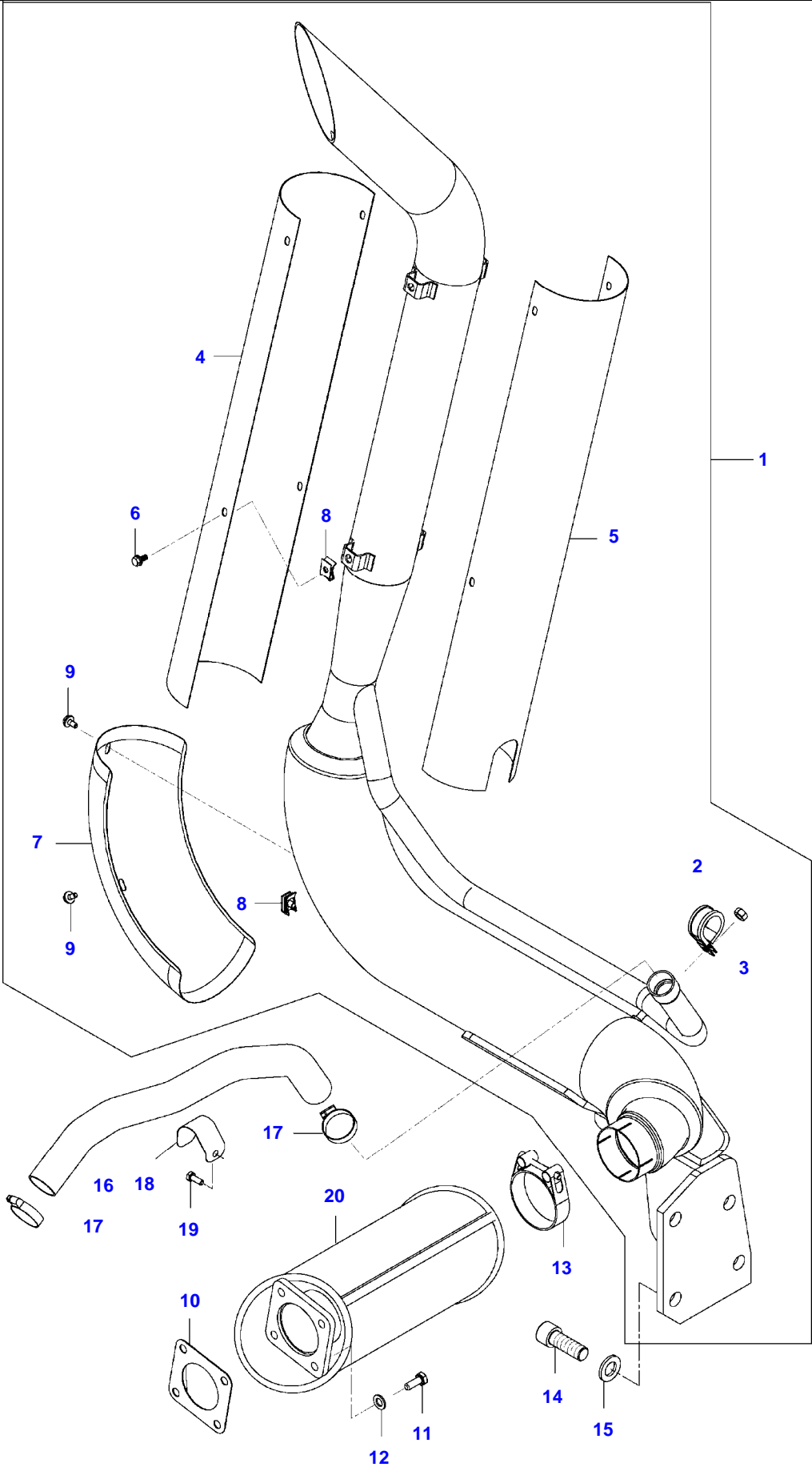
<https://www.ebooklibonline.com>

If the above button click is invalid. Please download this document first, and then click the above link to download the complete manual.

Thank you so much for reading

Item	Part Number	Qty	Description Comments	Technical Specification
1	V35245710	1	INTERCOOLER -T45514	
	V36925800	1	COOLER T45515-	
2	V35337400	1	PLATE	
3	V63234000	2	RUBBER INLET	EPDM 65SH
4	VHN9071	2	SCREW	M8X16 DIN 6921
5	VHN9071	2	SCREW	M8X16 DIN 6921
7	V35186800	2	CURVED RUBBER	
8	V36064800	2	CURVED RUBBER	
9	VGP3942	8	HOSE CLIP	D=75 SMS2298
11	V36403900	1	TUBE -T45514 LEFT	
	V36938400	1	TUBE T45515- LEFT	
13	V35247500	1	TUBE RIGHT	
20	V36394300	1	RUBBER TUBE -S12137	D=76/76
	V36619800	1	RUBBER TUBE S12138-	D=76/76
21	VGP3934	1	HOSE CLIP	D=85 SMS2298
22	VGP3934	1	HOSE CLIP	D=85 SMS2298
23	V36405900	1	SUCTION PIPE	
24	V36339600	1	HOUSING	
25	V36539600	1	AIR FILTER PREFILTER	
26	V36539700	1	AIR FILTER FINE FILTER	
27	VHN9071	3	SCREW	M8X16 DIN 6921
28	VJD0408	4	WASHER	M8
30	V34654000	1	SENSOR AIR PRESSURE	65 BAR
31	V36415400	1	PLUG	M22X1.5
32	VKH3623	1	GASKET	22 X 27 X 1.5 A DIN 7603 CU
33	V36394700	1	HOUSING -S12137	
	V36617100	1	HOUSING S12138-	
34	VGP3936	1	HOSE CLIP	D=138 SMS2298
35	V36394100	1	RUBBER TUBE	D=101
36	VGP3935	1	HOSE CLIP	D=112 SMS2298
37	V36411600	2	LOCATING PLATE	
38	V36401200	1	STAY	
39	V36418500	1	SEALING RUBBER	L=405
40	V30555700	1	PIPE SUPPORT	D=19.0 DIN 3016
41	VJD0408	1	WASHER	M8
42	VHN9072	1	SCREW	M8 X 20 DIN 6921
44	V64041600	1	SUCTION PIPE	

N121H TRACTOR (N SERIES)
SPIMG-016-21-26



<https://www.ebooklibonline.com>

Hello dear friend!

Thank you very much for reading.

Enter the link into your browser.

The full manual is available for immediate download.

<https://www.ebooklibonline.com>