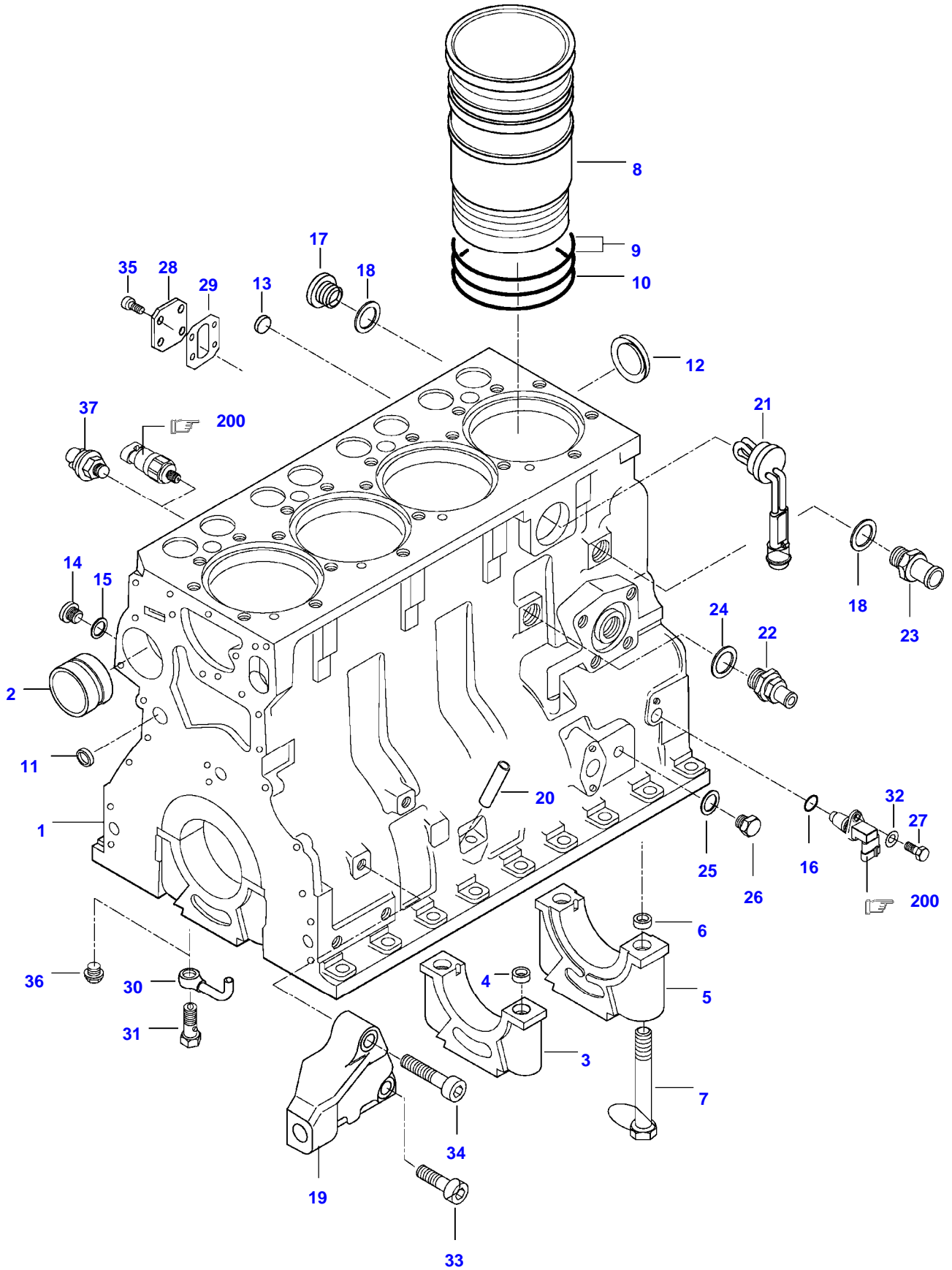


| Page Number | Page Title | Page Reference |
|--------------------|-------------------------------------|-----------------------|
| 01-000-TOC | ENGINE, FUEL AND EXHAUST SYSTEM | 01-000-TOC |
| 02-000-TOC | AXLES | 02-000-TOC |
| 03-000-TOC | STEERING SYSTEM | 03-000-TOC |
| 04-000-TOC | DRIVE TRAIN SYSTEM | 04-000-TOC |
| 05-000-TOC | BRAKE SYSTEM | 05-000-TOC |
| 06-000-TOC | COMPRESSED AIR SYSTEM | 06-000-TOC |
| 07-000-TOC | HYDRAULIC SYSTEM | 07-000-TOC |
| 08-000-TOC | ELECTRICAL SYSTEM | 08-000-TOC |
| 09-000-TOC | CAB | 09-000-TOC |
| 10-000-TOC | AIR CONDITIONING AND HEATING SYSTEM | 10-000-TOC |
| 11-000-TOC | CHASSIS | 11-000-TOC |
| 12-000-TOC | DECALS | 12-000-TOC |
| 13-000-TOC | WHEELS | 13-000-TOC |
| 14-000-TOC | IMPLEMENT DRIVE SYSTEM | 14-000-TOC |
| 15-000-TOC | IMPLEMENT LIFT SYSTEM FRONT | 15-000-TOC |
| 16-000-TOC | IMPLEMENT LIFT SYSTEM REAR | 16-000-TOC |
| 17-000-TOC | FRONT/REAR LOADERS | 17-000-TOC |
| 18-000-TOC | ATTACHMENTS | 18-000-TOC |
| 19-000-TOC | GENERAL INFORMATION | 19-000-TOC |

| Page Number | Page Title | Page Reference |
|-------------|------------------------------------|----------------|
| 01-0001 | CYLINDERBLOCK | 21-02 |
| 01-0002 | FLYWHEEL AND HOUSING | 21-04 |
| 01-0003 | CYLINDER HEAD | 21-06 |
| 01-0004 | VALVE MECHANISM | 21-08 |
| 01-0005 | CRANK MECHANISM | 21-10 |
| 01-0006 | BALANCER WEIGHT | 21-12 |
| 01-0007 | GEAR HOUSING | 21-14 |
| 01-0008 | OIL FILTER | 21-16 |
| 01-0009 | OIL SUMP | 21-18 |
| 01-0010 | AIR CLEANER | 21-20 |
| 01-0011 | INTAKE- AND EXHAUST PIPE | 21-22 |
| 01-0012 | AIR INTAKE SYSTEM | 21-24 |
| 01-0013 | PILLAR EXHAUST PIPE | 21-26 |
| 01-0014 | TURBOCHARGER | 21-28 |
| 01-0015 | FUEL FILTER | 22-02 |
| 01-0016 | INJECTION PUMP | 22-06 |
| 01-0017 | SPEED LEVERS | 22-10 |
| 01-0018 | RADIATOR | 23-02 |
| 01-0019 | COOLANT PUMP | 23-04 |
| 01-0020 | STARTERMOTOR | 24-02 |
| 01-0021 | ALTERNATOR | 24-04 |
| 01-0022 | WIRING SET, EEM ENGINE | 24-08 |
| 01-0023 | GASKET SETS | 28-02 |
| 01-0024 | ENGINE REPAIR KIT AND BEARING | 28-04 |
| 01-0025 | ADJUSTING PLATE FOR INJECTOR | 28-06 |
| 01-0026 | ENGINE HEATER (OPTIONAL EQUIPMENT) | 29-08 |

C120E TRACTOR (C SERIES)
SPIMG-012-21-02



<https://www.ebooklibonline.com>

Hello dear friend!

Thank you very much for reading.

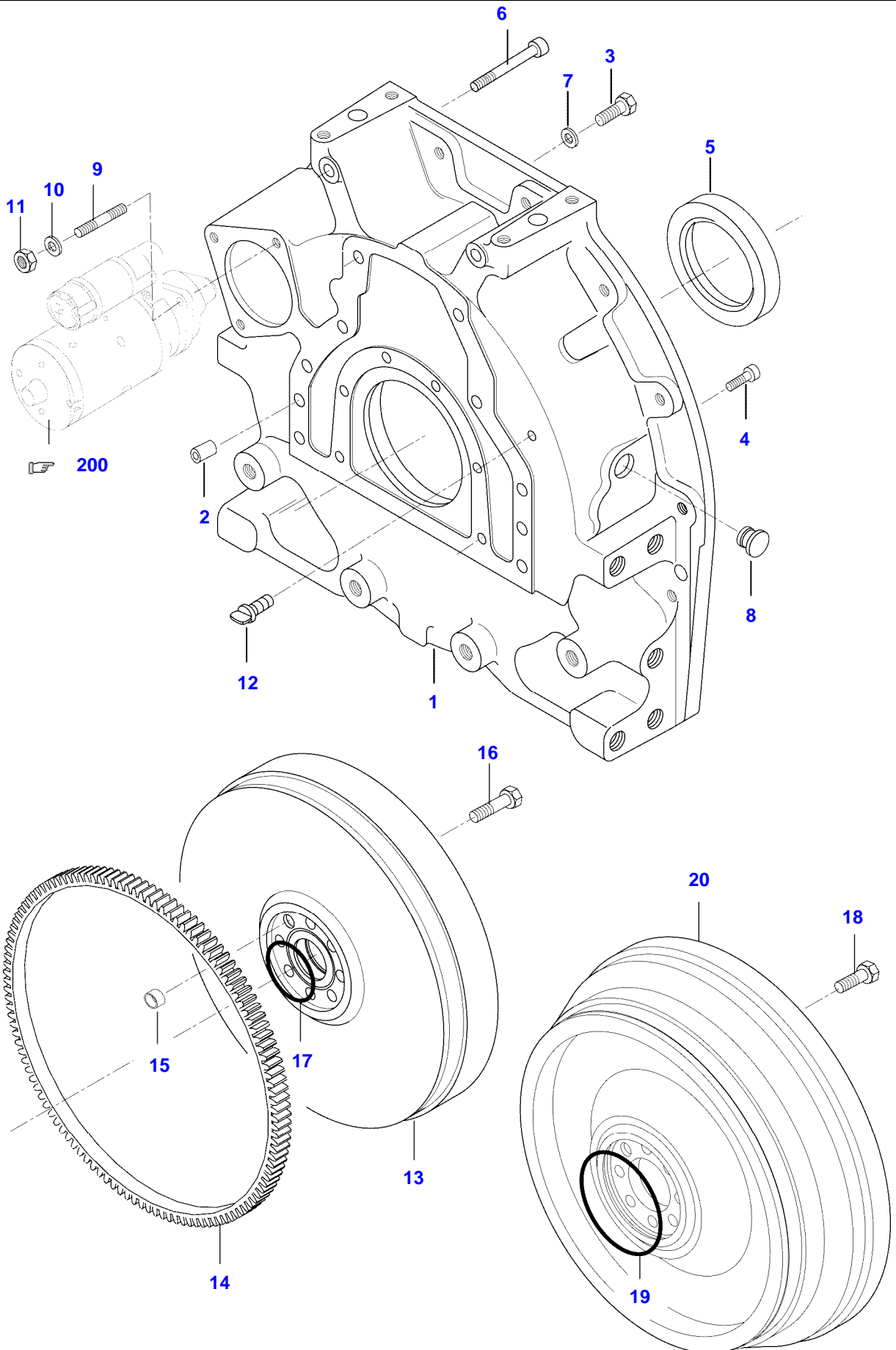
Enter the link into your browser.

The full manual is available for immediate download.

<https://www.ebooklibonline.com>

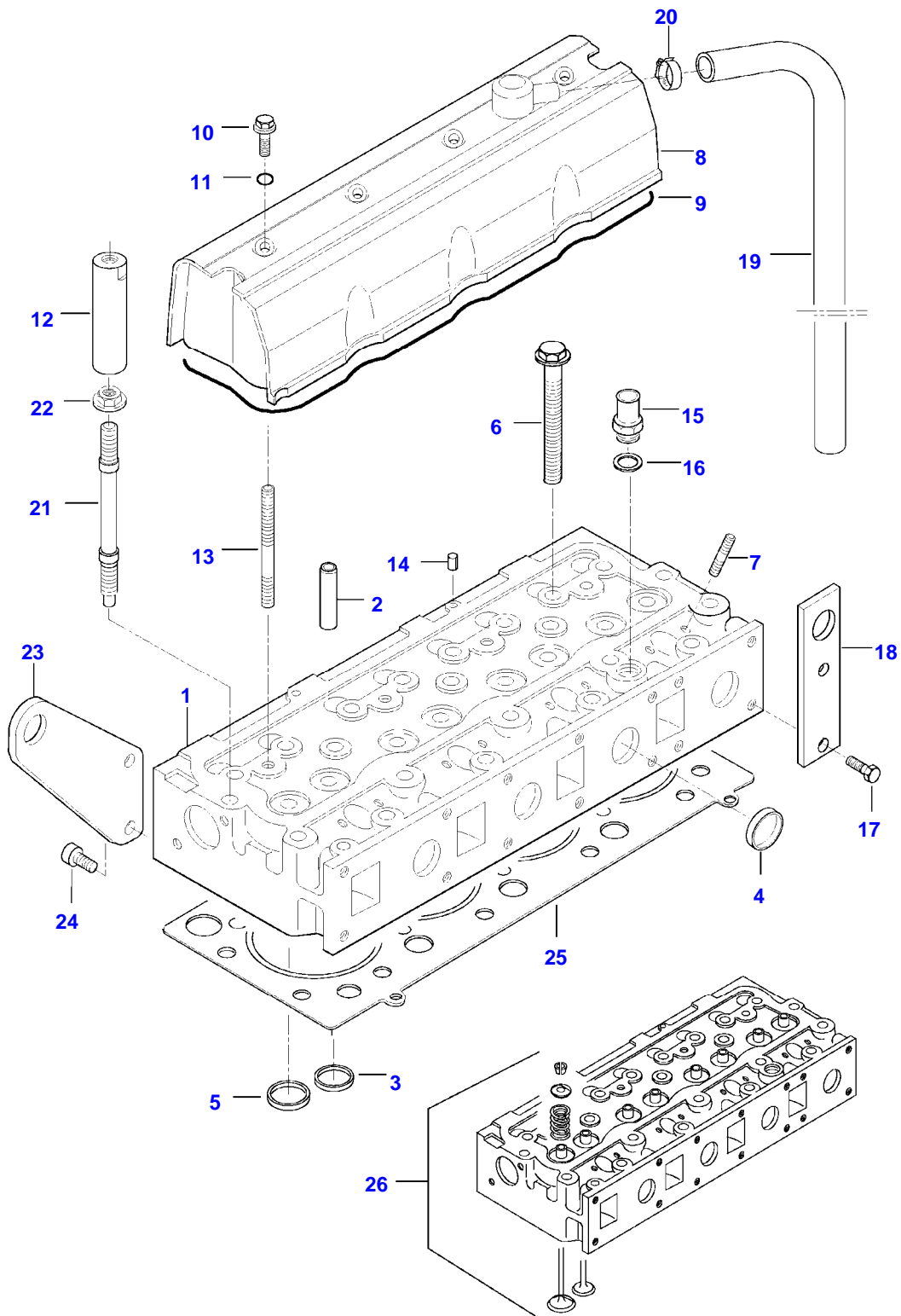
| Item | Part Number | Qty | Description Comments |
|------|-------------|-----|---|
| 1 | V836766377 | 1 | CYLINDER BLOCK |
| 2 | V836866069 | 1 | CAMSHAFT BEARING BUSHING |
| 3 | NS | 4 | NON-SERVICEABLE PART |
| 4 | V836214478 | 8 | BEARING COVER GUIDE SLEEVE |
| 5 | NS | 1 | NON-SERVICEABLE PART |
| 6 | V836214478 | 2 | BEARING COVER GUIDE SLEEVE |
| 7 | V835329030 | 10 | HEX CAP SCREW |
| 8 | V836666990 | 4 | LINER |
| 9 | V836647502 | 8 | CYLINDER LINER O-RING S2 |
| 10 | V836647503 | 4 | CYLINDER LINER O-RING S2 |
| 11 | V640016016 | 4 | CUP PLUG S2 |
| 12 | V836529872 | 1 | PLUG |
| 13 | V640016018 | 1 | CUP PLUG |
| 14 | V640325110 | 2 | SCREW PLUG |
| 15 | V615571014 | 2 | SEALING WASHER S2 |
| 16 | V614601524 | 1 | O-RING |
| 17 | V640325018 | 1 | PLUG |
| 18 | V615881822 | 2 | SEALING WASHER S2 |
| 19 | V836766159 | 1 | ENGINE MOUNT RIGHT |
| 20 | V836766160 | 1 | ENGINE MOUNT LEFT |
| 21 | V836666910 | 1 | OIL DIPSTICK GUIDE PIPE |
| 21 | V837070396 | 1 | ENGINE BLOCK HEATER SEE PAGE 01-0026 |
| 22 | V836664377 | 1 | DRAIN VALVE |
| 23 | V836119837 | 1 | HOSE COUPLER |
| 24 | V615881824 | 1 | SEALING WASHER S2 |
| 25 | V615881216 | 1 | SEALING WASHER |
| 26 | V640305012 | 1 | PLUG |
| 27 | V528801362 | 1 | HEX CAP SCREW M8 X 16 |
| 28 | V836866957 | 1 | COVER |
| 29 | V836866958 | 1 | GASKET S2 |
| 30 | V836855093 | 4 | OIL NOZZLE |
| 31 | V836338601 | 4 | PRESSURE VALVE |
| 32 | V500050840 | 1 | FLAT WASHER |
| 33 | V581705850 | 2 | HEX SOCKET SCREW M14 X 40 |
| 34 | V581705890 | 2 | HEX SOCKET SCREW M14 X 60 |
| 35 | V581804600 | 4 | HEX SOCKET SCREW M8 X 20 |

C120E TRACTOR (C SERIES)
SPIMG-012-21-04



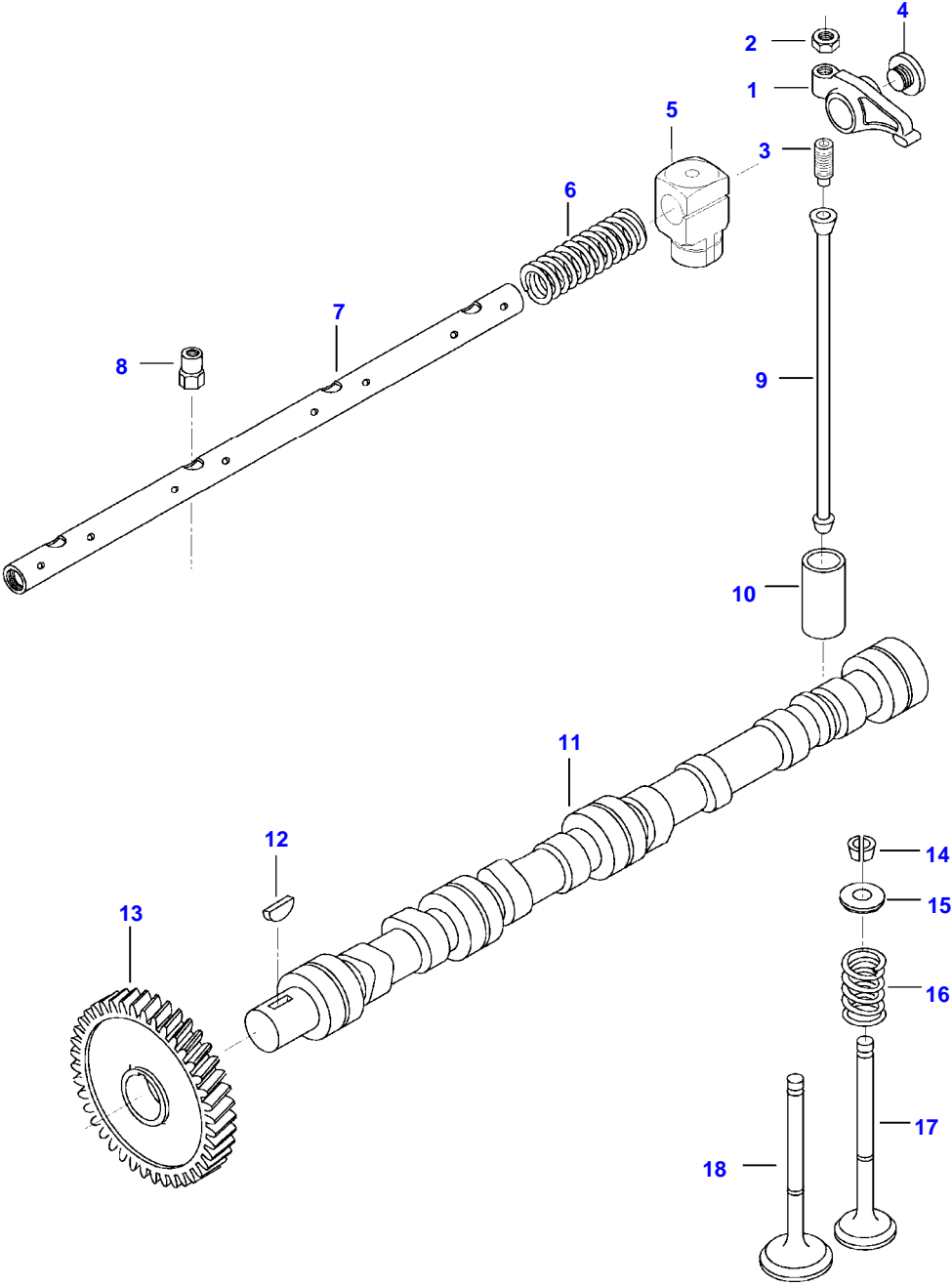
| Item | Part Number | Qty | Description Comments |
|------|-------------|-----|-------------------------------|
| 1 | V836764330 | 1 | FLYWHEEL HOUSING |
| 2 | V598359850 | 2 | PIN |
| 3 | V529702220 | 8 | HEX CAP SCREW M12 X 35 |
| 4 | V581705030 | 6 | HEX SOCKET SCREW M10 X 30 |
| 5 | V614500002 | 1 | CRANKSHAFT SEAL S2 |
| 6 | V581705580 | 2 | HEX SOCKET SCREW M12 X 110 |
| 7 | V500951200 | 8 | SPRING WASHER |
| 8 | V836007572 | 1 | RUBBER PLUG |
| 9 | V546801800 | 3 | STUD BOLT M10 X 25 |
| 10 | V500951000 | 3 | SPRING WASHER |
| 11 | V504601000 | 3 | NUT M10 |
| 12 | V836859311 | 1 | PLUG |
| 13 | V836766274 | 1 | FLYWHEEL |
| 20 | V836766185 | 1 | FLYWHEEL HYDRAULIC CLUTCH |
| 14 | V835328783 | 1 | STARTER RING |
| 15 | V836659527 | 1 | GUIDE SLEEVE |
| 16 | V529702250 | 8 | HEX CAP SCREW 150 NM |
| 17 | V614606230 | 1 | O-RING |
| 18 | V528702230 | 8 | HEX CAP SCREW 150 NM |
| 19 | V614610930 | 1 | O-RING HYDRAULIC CLUTCH |
| 200 | | | SEE PAGE 01-0020 |

C120E TRACTOR (C SERIES)
SPIMG-012-21-06



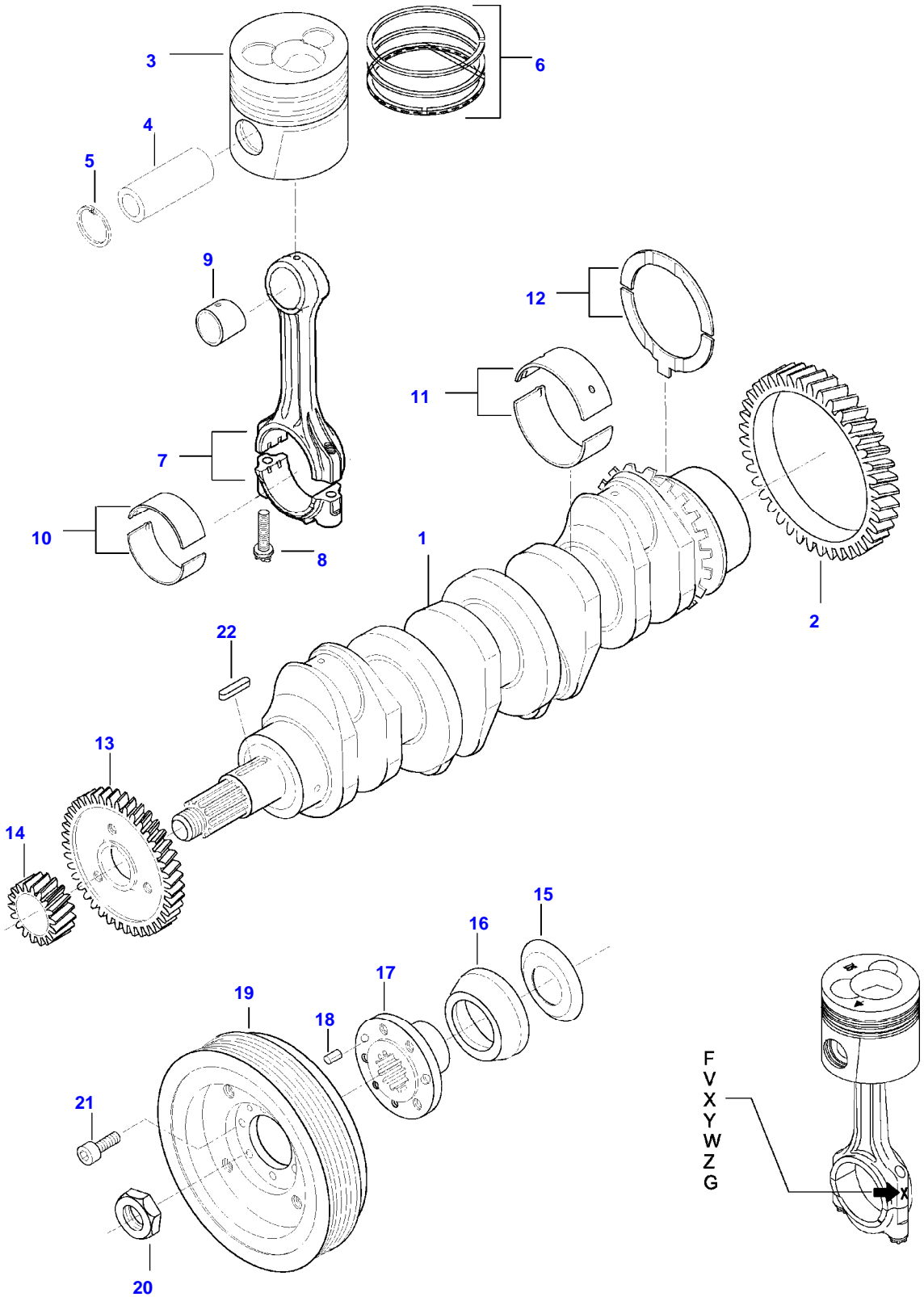
| Item | Part Number | Qty | Description Comments |
|------|-------------|-----|---------------------------------------|
| 1 | NS | 1 | NON-SERVICEABLE PART CYLINDER HEAD |
| 2 | V836647601 | 8 | GUIDE |
| 3 | V836647600 | 4 | VALVE SEAT |
| 4 | V836647942 | 8 | EXHAUST CUP PLUG |
| 5 | V836647936 | 4 | VALVE SEAT |
| 6 | V836859104 | 20 | INTAKE HEXAGON FLANGE BOLT |
| 7 | V546901435 | 8 | STUD BOLT M8 X 40 |
| 8 | V836767207 | 1 | VALVE COVER |
| 9 | V614738740 | 1 | COVER GASKET S1 |
| 10 | V540801780 | 4 | HEXAGON FLANGE BOLT |
| 11 | V614901030 | 4 | O-RING S1 |
| 12 | V836667062 | 1 | LIFTING EYE EXTENSION |
| 13 | V546801900 | 4 | STUD BOLT M10 X 75 |
| 14 | V595959140 | 2 | PIN |
| 15 | V836119837 | 1 | HOSE COUPLER |
| 16 | V615881822 | 1 | SEALING WASHER S1 |
| 17 | V528801800 | 2 | HEX CAP SCREW M10 X 25 |
| 18 | V836855349 | 1 | LIFT EYE |
| 19 | V836647814 | 1 | RUBBER HOSE |
| 20 | V602088532 | 1 | HOSE CLIP |
| 21 | V836859109 | 2 | STUD BOLT |
| 22 | V836859110 | 2 | NUT |
| 23 | V836667203 | 1 | LIFT EYE |
| 24 | V581705000 | 2 | HEX SOCKET SCREW M10 X 20 |
| 25 | V837070291 | 1 | CYLINDER HEAD GASKET S1 |
| 26 | V836740869 | 1 | CYLINDER HEAD |

C120E TRACTOR (C SERIES)
SPIMG-012-21-08



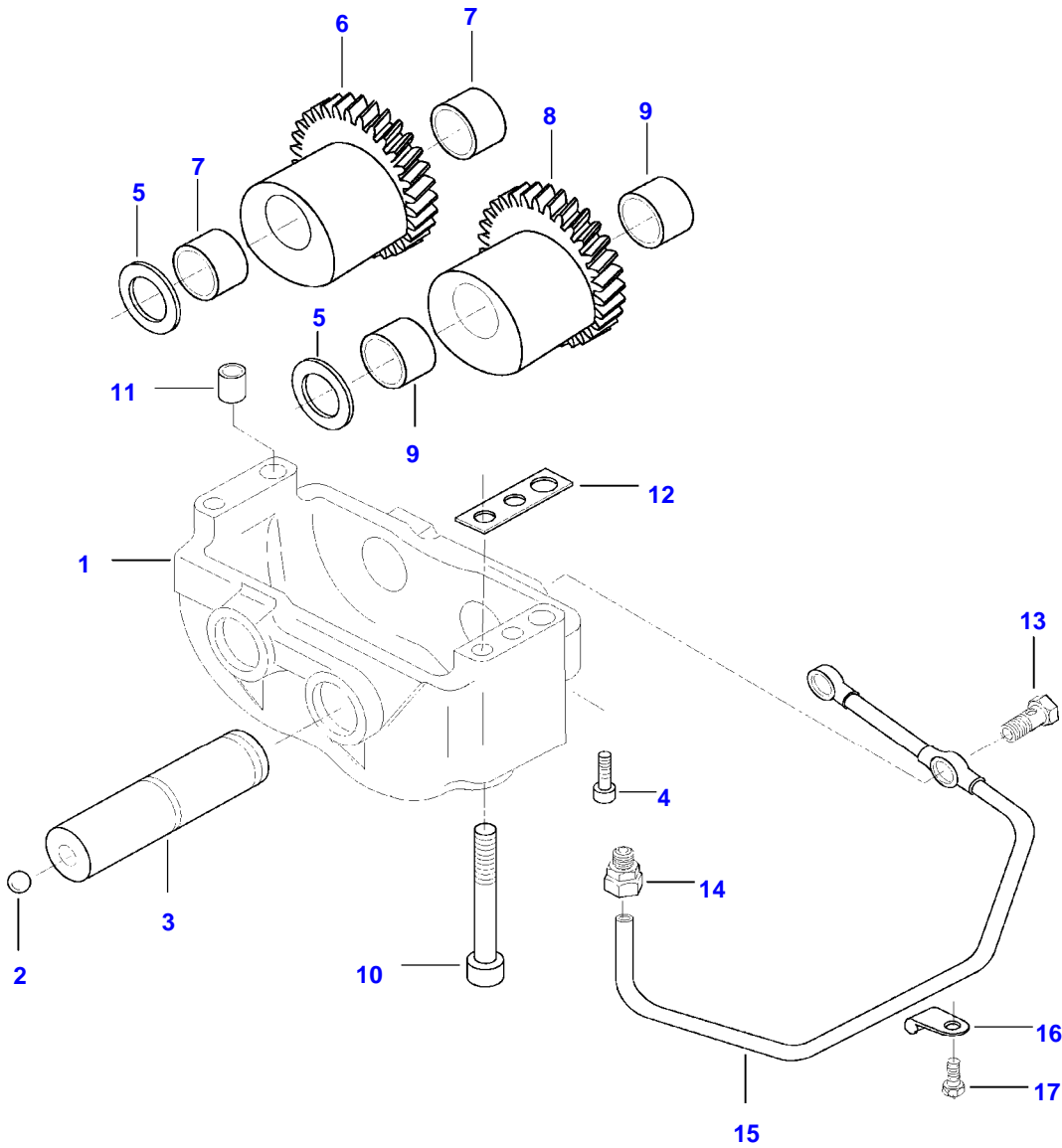
| Item | Part Number | Qty | Description Comments |
|------|-------------|-----|--|
| | V836767044 | 1 | ROCKER SHAFT ASM ASSEMBLY |
| 1 | V836666608 | 8 | ROCKER ARM . -S12222 (M) |
| | V836667042 | 8 | ROCKER ARM . S12223- (M) |
| 2 | V512861000 | 8 | NUT |
| 3 | V836655866 | 8 | ADJUSTING SCREW .. -S12222 (M) |
| | V837069023 | 8 | VALVE ROCKER ADJUSTMENT SCREW .. S12223- (M) |
| 4 | V836655899 | 2 | PLUG . -S12222 (M) |
| | V837069020 | 2 | PLUG . S12223- (M) |
| 5 | V836666609 | 4 | BRACKET |
| 6 | V836655884 | 3 | SPRING |
| 7 | V836755871 | 1 | SHAFT . SLEEVE NUT |
| 8 | V836655406 | 4 | SLEEVE NUT |
| 9 | V836655867 | 8 | PUSHROD |
| 10 | V836014264 | 8 | TAPPET |
| 11 | V836746375 | 1 | CAMSHAFT |
| 12 | V603305760 | 1 | WOODRUFF KEY |
| 13 | V836646389 | 1 | GEAR,CAMSHAFT |
| 14 | V836646382 | 16 | COTTER |
| 15 | V836646381 | 8 | WASHER |
| 16 | V836646380 | 8 | SPRING |
| 17 | V836646357 | 4 | EXHAUST VALVE |
| 18 | V836646356 | 4 | INTAKE VALVE |

C120E TRACTOR (C SERIES)
SPIMG-012-21-10



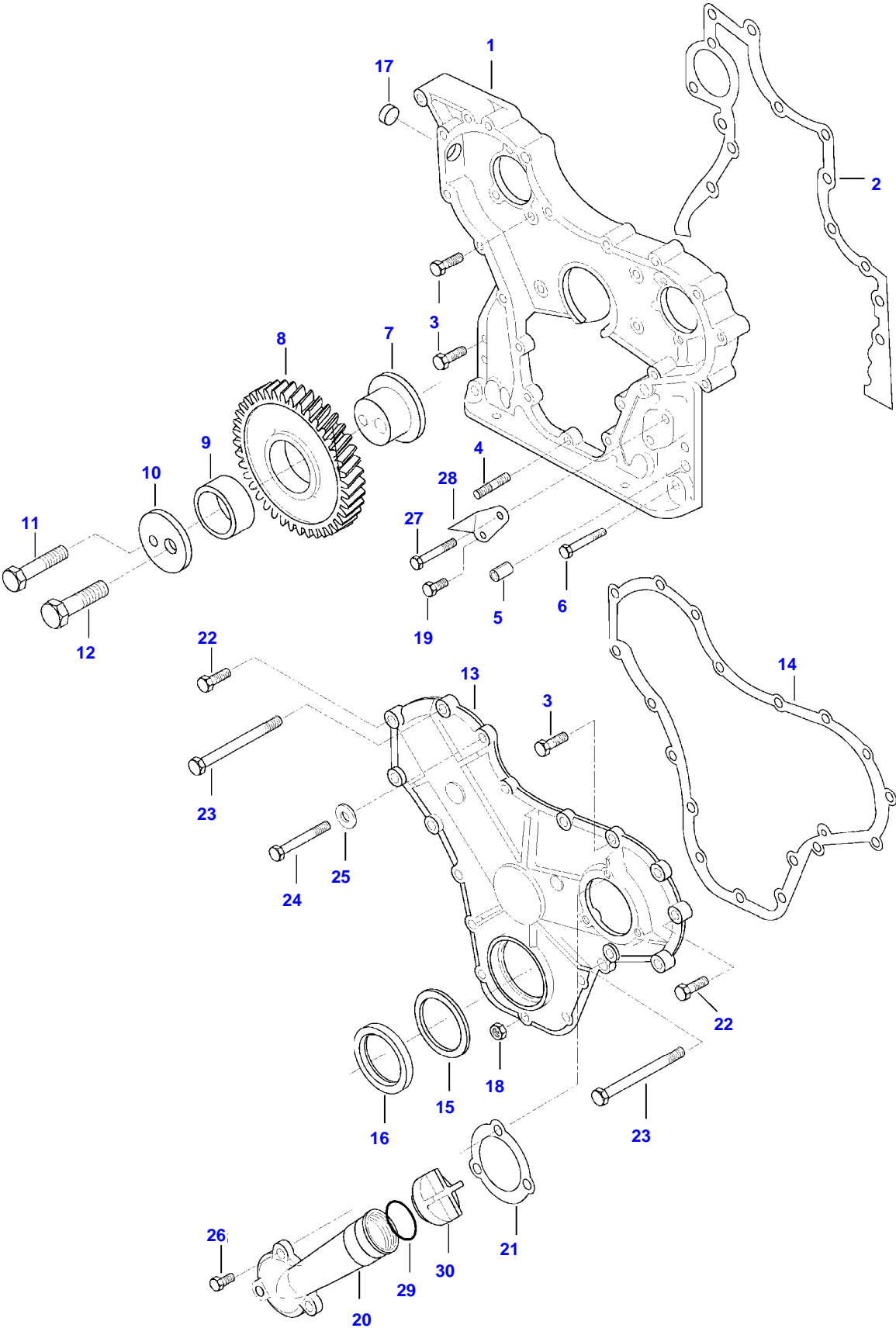
| Item | Part Number | Qty | Description Comments | Technical Specification |
|------|-------------|-----|-----------------------------------|-------------------------|
| 1 | V836766488 | 1 | CRANKSHAFT | |
| 2 | V836124524 | 1 | GEAR | |
| 3 | V836659702 | 4 | PISTON | |
| | V836666103 | 4 | PISTON | |
| 4 | NS | 4 | NON-SERVICEABLE PART | |
| | | | PISTON PIN | |
| 5 | NS | 8 | NON-SERVICEABLE PART | |
| | | | CIRCLIP | |
| 4 | NS | 4 | NON-SERVICEABLE PART | |
| | | | PISTON PIN | |
| 5 | NS | 8 | NON-SERVICEABLE PART | |
| | | | CIRCLIP | |
| 6 | V836640078 | 4 | PISTON RING KIT | |
| | V836740859 | | CONNECTING ROD KIT | |
| 7 | NS | 6 | NON-SERVICEABLE PART | |
| | | | CONNECTING ROD 11935-1954 G, F | |
| | NS | 6 | NON-SERVICEABLE PART | |
| | | | CONNECTING ROD 11955-1974 G, V | |
| | NS | 6 | NON-SERVICEABLE PART | |
| | | | CONNECTING ROD 11975-1994 G, X | |
| | NS | 6 | NON-SERVICEABLE PART | |
| | | | CONNECTING ROD 11995-2014 G, Y | |
| | NS | 6 | NON-SERVICEABLE PART | |
| | | | CONNECTING ROD 12015-2034 G, W | |
| | NS | 6 | NON-SERVICEABLE PART | |
| | | | CONNECTING ROD 12035-2054 G, Z | |
| | NS | 6 | NON-SERVICEABLE PART | |
| | | | CONNECTING ROD 12055-2074 G, G | |
| 8 | V836864141 | 8 | CONNECTING ROD BOLT | |
| 9 | V836110646 | 4 | BEARING BUSH | STD |
| 10 | V836110552 | 4 | BEARING SHELL | |
| 11 | V836655514 | 5 | MAIN BEARING | |
| 12 | V836119459 | 2 | THRUST WASHER | |
| 13 | V836119550 | 1 | GEAR,CRANKSHAFT | |
| 14 | V836122840 | 1 | GEAR,CRANKSHAFT | |
| 15 | V836129781 | 1 | RING | |
| 16 | V836136271 | 1 | SHIELD | |
| 17 | V836846463 | 1 | CRANKSHAFT HUB | |
| 18 | V595953360 | 1 | PIN | |
| 19 | V836766988 | 1 | CRANKSHAFT PULLEY | |
| 20 | V836647310 | 1 | CRANKSHAFT NUT | |
| 21 | V581804600 | 6 | HEX SOCKET SCREW M8 X 20 | |
| 22 | V603345110 | 1 | KEY | |

C120E TRACTOR (C SERIES)
SPIMG-012-21-12



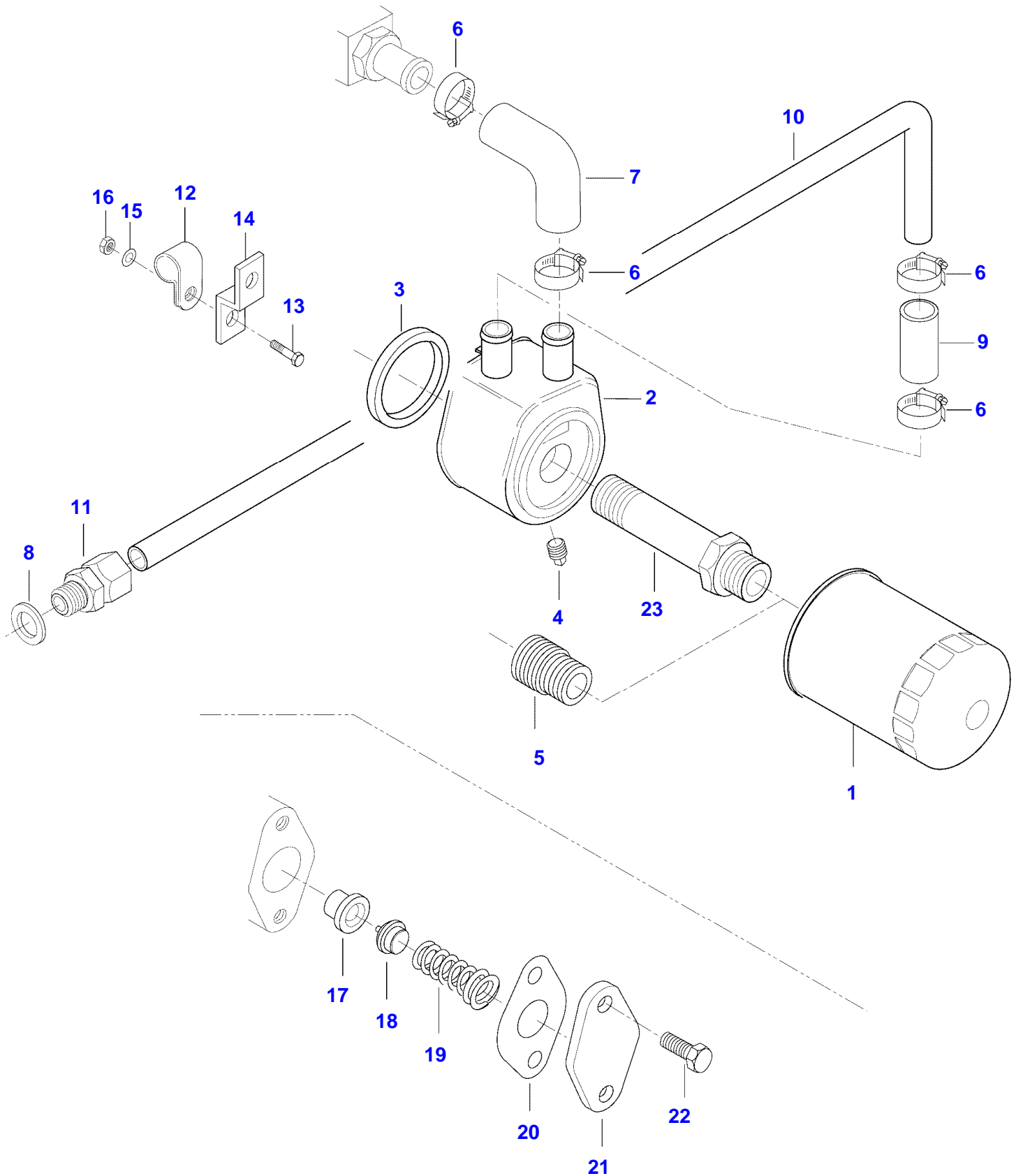
| Item | Part Number | Qty | Description Comments |
|------|-------------|-----|-------------------------------|
| | V836766123 | 1 | COUNTERWEIGHT |
| 1 | NS | 1 | NON-SERVICEABLE PART |
| | | | . |
| 2 | V616810103 | 2 | FRAME BALL |
| | | | . |
| 3 | V836146879 | 2 | SHAFT |
| | | | . |
| 4 | V581804202 | 2 | HEX SOCKET SCREW |
| | | | . |
| 5 | V836146880 | 4 | M6 X 20 THRUST WASHER |
| | | | . |
| 6 | V836766121 | 1 | COUNTERWEIGHT |
| | | | . |
| 7 | V836146876 | 2 | BEARING BUSH |
| | | | .. |
| 8 | V836766122 | 1 | COUNTERWEIGHT |
| | | | . |
| 9 | V836146876 | 2 | BEARING BUSH |
| | | | .. |
| 10 | V581805170 | 4 | HEX SOCKET SCREW M10 X 100 |
| 11 | V598359850 | 1 | PIN |
| 12 | V836119920 | X | SHIM |
| 13 | V640435008 | 2 | BANJO BOLT |
| 14 | V641166008 | 1 | ELBOW FITTING |
| 15 | V836747478 | 1 | OIL PIPE |
| 16 | V602071608 | 1 | RETAINER CLAMP |
| 17 | V528801062 | 1 | HEX CAP SCREW M6 X 16 |

C120E TRACTOR (C SERIES)
SPIMG-012-21-14



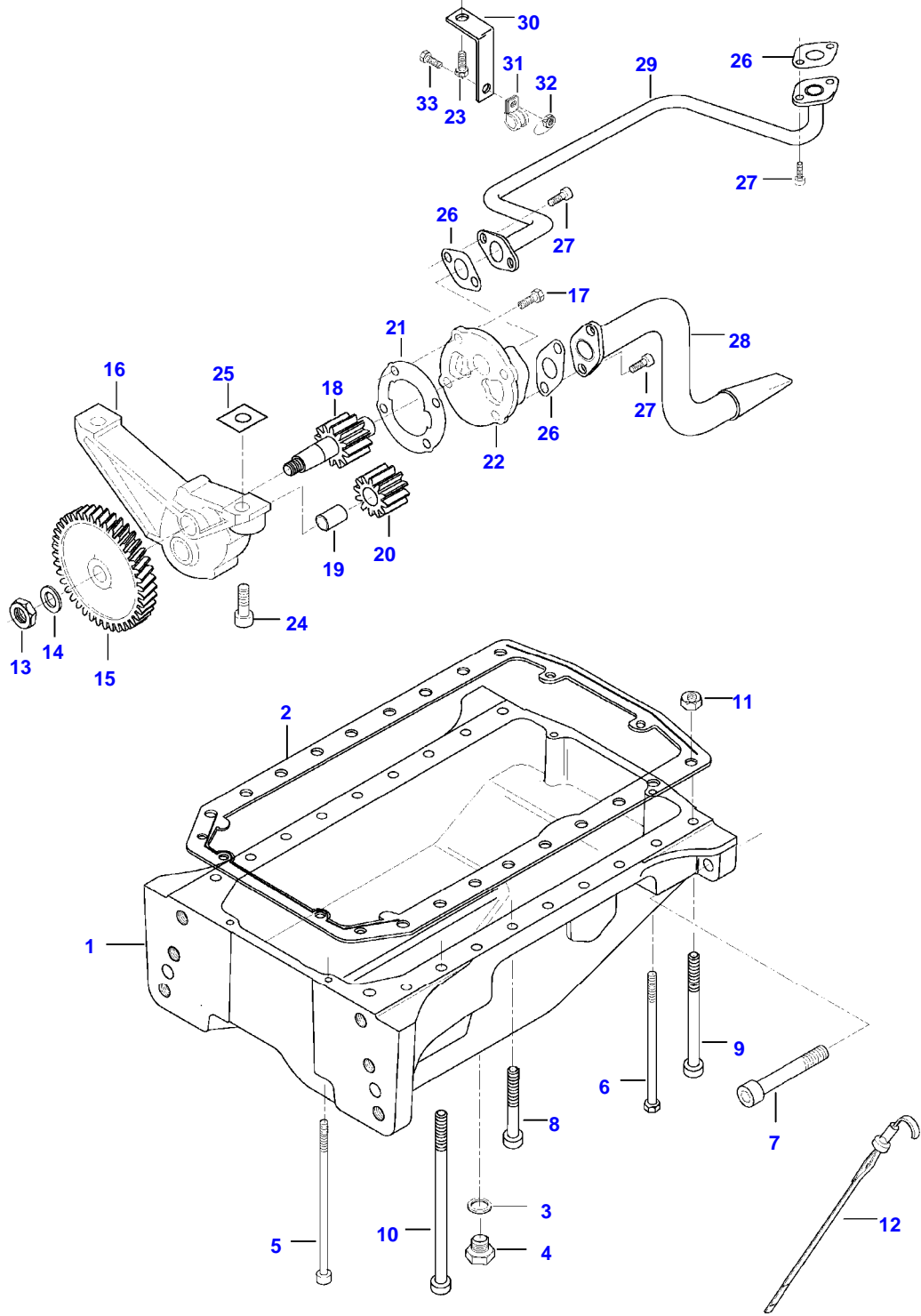
| Item | Part Number | Qty | Description Comments |
|------|-------------|-----|--------------------------|
| 1 | V836666400 | 1 | TIMING GEAR CASE |
| 2 | V836647419 | 1 | GASKET S2 |
| 3 | V528801400 | 11 | HEX CAP SCREW M8X25 |
| 4 | V546801380 | 5 | STUD BOLT M8X20 |
| 5 | V598359850 | 4 | PIN |
| 6 | V529801440 | 2 | HEX CAP SCREW M8X45 |
| 7 | V836129709 | 1 | SHAFT |
| 8 | V836129863 | 1 | IDLER GEAR |
| 9 | V836129844 | 1 | BEARING BUSH |
| 10 | V836129845 | 1 | FLANGE |
| 11 | V528801860 | 1 | HEX CAP SCREW M10X55 |
| 12 | V529902680 | 1 | HEX CAP SCREW M14X65 |
| 13 | V836647572 | 1 | GEAR HOUSING FRONT COVER |
| 14 | V836129942 | 1 | GASKET S2 |
| 15 | V836129782 | 1 | COVER |
| 16 | V614105880 | 1 | OIL SEAL S2 |
| 17 | V640016016 | 1 | CUP PLUG |
| 18 | V504800800 | 5 | NUT M8 |
| 19 | V528801362 | 1 | HEX CAP SCREW M8X16 |
| 20 | V835338325 | 1 | ENGINE OIL FILL PIPE |
| 21 | V836129946 | 1 | GASKET S2 |
| 22 | V528801420 | 3 | HEX CAP SCREW M8X35 |
| 23 | V529801500 | 2 | HEX CAP SCREW M8X75 |
| 24 | V529801470 | 3 | HEX CAP SCREW M8X60 |
| 25 | V836120989 | 1 | WASHER |
| 26 | V528801380 | 3 | HEX CAP SCREW M8X20 |
| 27 | V529801450 | 1 | HEX CAP SCREW M8X50 |
| 28 | V836747675 | 1 | TIMING MARK INDICATOR |
| 29 | V614603540 | 1 | O-RING |
| 30 | V836017927 | 1 | CAP |

C120E TRACTOR (C SERIES)
SPIMG-012-21-16



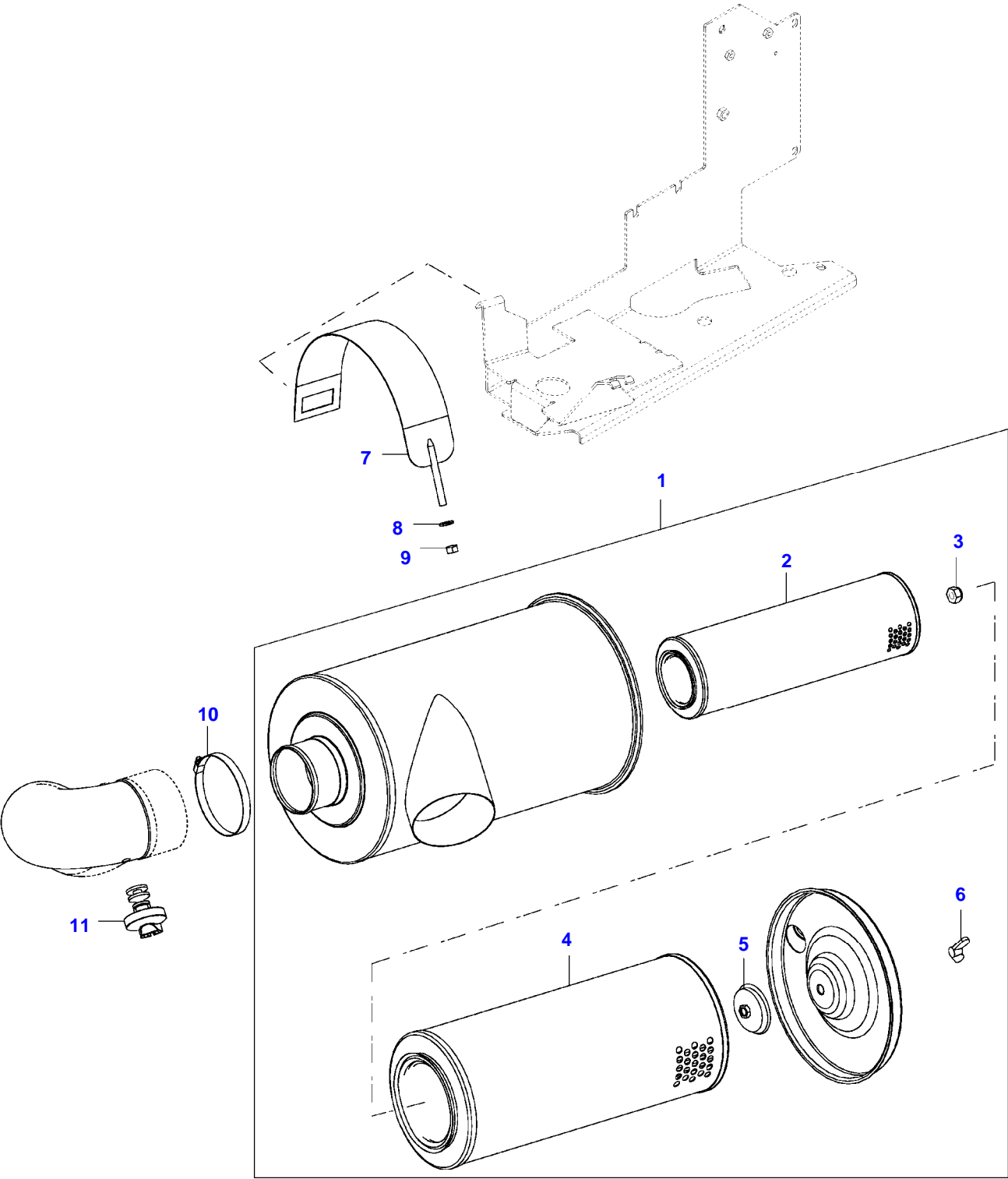
| Item | Part Number | Qty | Description Comments |
|------|-------------|-----|----------------------------|
| 1 | V836662580 | 1 | ENGINE OIL FILTER |
| 2 | V836859699 | 1 | OIL COOLER |
| 3 | V836862235 | 1 | SEAL |
| 4 | V836131366 | 1 | PLUG |
| 23 | V836859700 | 1 | UNION |
| 6 | V602079516 | 4 | HOSE CLIP |
| 7 | V836859899 | 1 | RUBBER ELBOW |
| 8 | V615881822 | 1 | SEALING WASHER S2 |
| 9 | V836129978 | 1 | RUBBER HOSE |
| 10 | V836747848 | 1 | PIPE |
| 11 | V641086015 | 1 | STRAIGHT FITTING |
| 12 | V602074615 | 1 | RETAINER CLAMP |
| 13 | V528801102 | 1 | HEX CAP SCREW M6 X 25 |
| 14 | V836747849 | 1 | SUPPORT |
| 15 | V500050642 | 2 | WASHER |
| 16 | V504600602 | 1 | NUT M6 |
| 17 | V836659521 | 1 | VALVE SEAT |
| 18 | V836662130 | 1 | OIL PRESSURE CONTROL VALVE |
| 18 | V836659522 | 1 | VALVE CONE |
| 19 | V836864056 | 1 | END |
| 20 | V836322190 | 1 | GASKET S2 |
| 21 | V836659524 | 1 | COVER |
| 22 | V528801380 | 2 | HEX CAP SCREW M8 X 20 |

C120E TRACTOR (C SERIES)
SPIMG-012-21-18



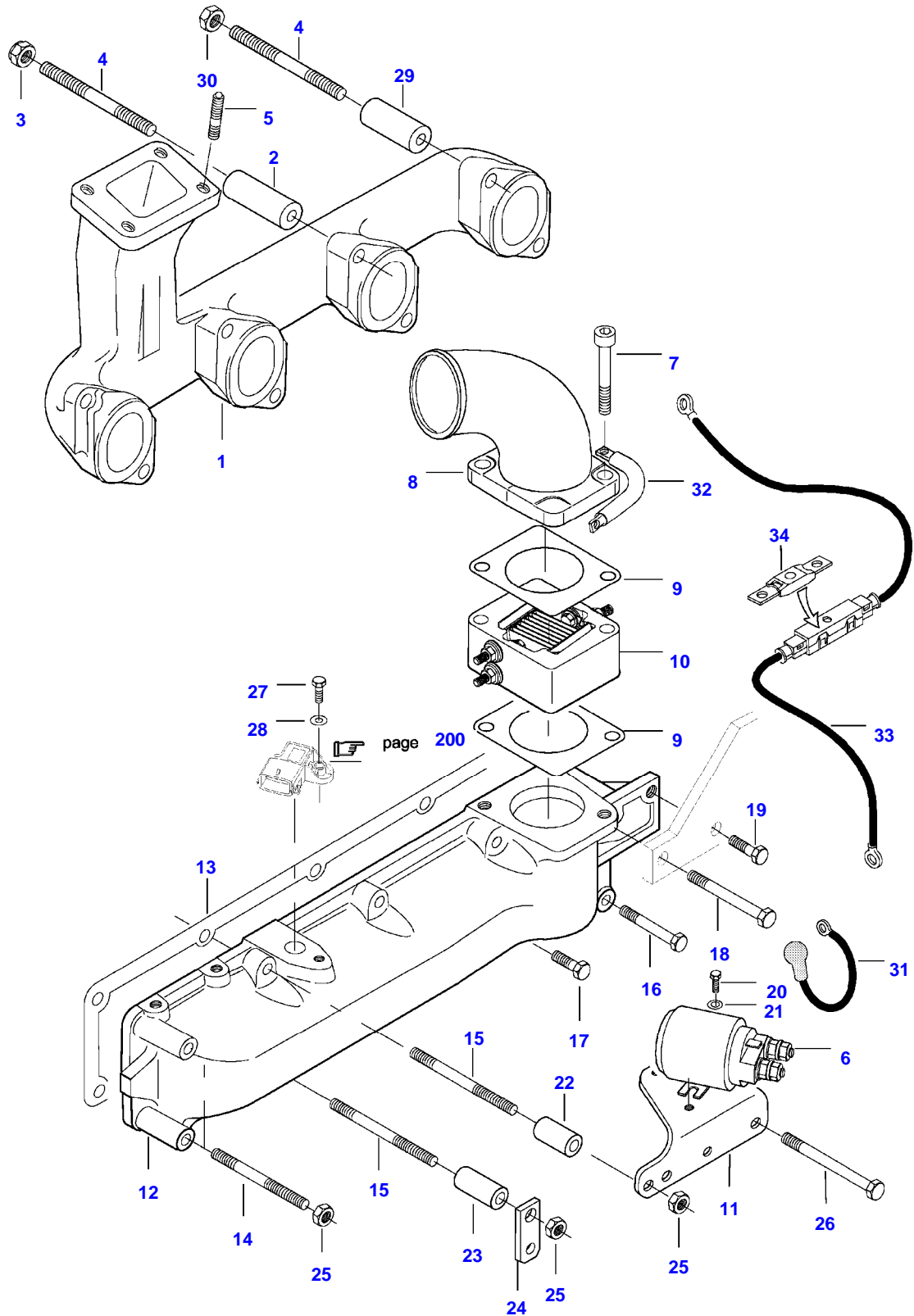
| Item | Part Number | Qty | Description Comments |
|------|-------------|-----|-------------------------------|
| 1 | V836764262 | 1 | OIL SUMP |
| 2 | V836129728 | 1 | OIL SUMP GASKET S2 |
| 3 | V615881827 | 1 | SEALING WASHER S2 |
| 4 | V836655493 | 1 | PLUG |
| 5 | V581704830 | 2 | HEX SOCKET SCREW M8 X 160 |
| 6 | V529801595 | 2 | HEX CAP SCREW M8 X 140 |
| 7 | V581706290 | 4 | HEX SOCKET SCREW M16 X 60 |
| 8 | V581705510 | 8 | HEX SOCKET SCREW M12 X 70 |
| 9 | V581705580 | 6 | HEX SOCKET SCREW M12 X 110 |
| 10 | V581705640 | 4 | HEX SOCKET SCREW M12 X 170 |
| 11 | V504801202 | 16 | NUT M12 |
| 12 | V836014330 | 1 | DIPSTICK |
| | V836652603 | 1 | LUBRICATING OIL PUMP |
| 13 | V504861000 | 1 | NUT M10 |
| 14 | V836122910 | 1 | WASHER |
| 15 | V836338667 | 1 | GEAR |
| 16 | V836120195 | 1 | HOUSING |
| 17 | V528801380 | 4 | HEX CAP SCREW M8 X 20 |
| 18 | V836652600 | 1 | OIL PUMP SHAFT |
| 19 | V836120191 | 1 | OIL PUMP SHAFT |
| 20 | V836120193 | 1 | GEAR |
| 21 | V836119796 | 1 | GASKET S2 |
| 22 | V836119794 | 1 | COVER |
| 23 | V528801760 | 1 | HEX CAP SCREW M10 X 16 |
| 24 | V581805050 | 2 | HEX SOCKET SCREW M10 X 40 |
| 25 | V836007871 | X | SHIM |
| 26 | V836008449 | 3 | GASKET S2 |
| 27 | V581804600 | 6 | HEX SOCKET SCREW M8 X 20 |
| 28 | V836664281 | 1 | OIL PUMP SUCTION PIPE |
| 29 | V836746457 | 1 | OIL PIPE |
| 30 | V836746572 | 1 | SUPPORT |
| 31 | V602074618 | 1 | RETAINER CLAMP |
| 32 | V504800800 | 1 | NUT M8 |
| 33 | V528801380 | 1 | HEX CAP SCREW M8 X 20 |

C120E TRACTOR (C SERIES)
SPIMG-012-21-20



| Item | Part Number | Qty | Description Comments | Technical Specification |
|------|-------------|-----|------------------------------|-------------------------|
| 1 | V35188910 | 1 | AIR FILTER ASSEMBLY | D=225 |
| 2 | V836462569 | 1 | SECONDARY AIR FILTER ELEMENT | |
| 4 | V836462568 | 1 | PRIMARY AIR FILTER ELEMENT | |
| 3 | VJB8905 | 1 | LOCKNUT | M10 SFS_EN_ISO_10511 |
| 5 | V35315600 | 1 | NUT | |
| 6 | VJC1610 | 1 | BLADE NUT | M10 DIN315 G5 ZNE |
| 7 | V35296300 | 1 | HOLDER | |
| 8 | V686930 | 1 | WASHER | |
| 9 | VJB8904 | 1 | NUT | M8 |
| 10 | VGP3933 | 1 | HOSE CLIP | D=95 SMS2298 |
| 11 | V34654000 | 1 | SENSOR | 65 BAR |

C120E TRACTOR (C SERIES)
SPIMG-012-21-22





Suggest:

For more complete manuals. Please go to the home page.

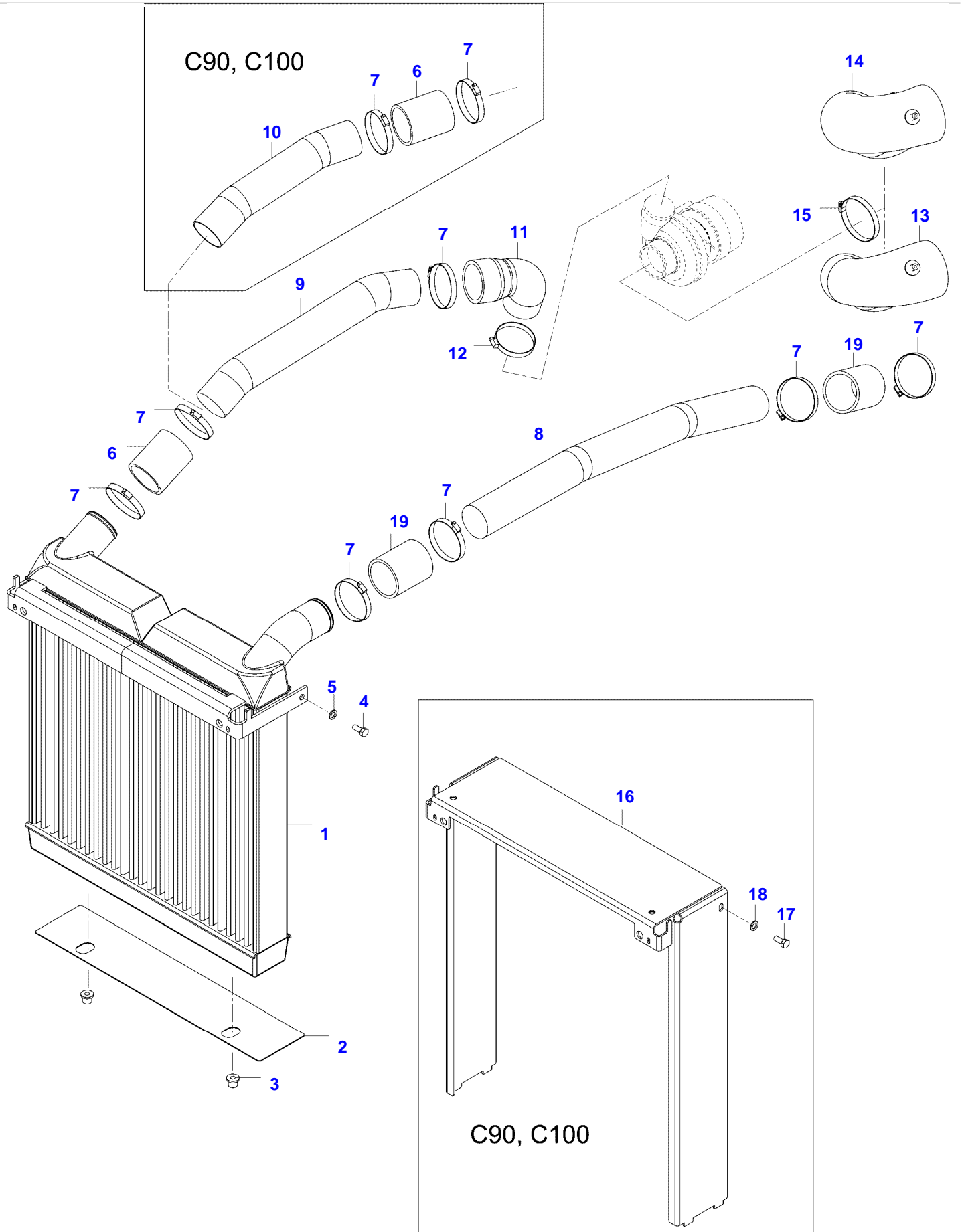
<https://www.ebooklibonline.com>

If the above button click is invalid. Please download this document first, and then click the above link to download the complete manual.

Thank you so much for reading

| Item | Part Number | Qty | Description Comments |
|------|-------------|-----|-----------------------------------|
| 1 | V836766932 | 1 | EXHAUST MANIFOLD |
| 2 | V836664013 | 3 | SPACER PIECE |
| 3 | V513601002 | 3 | NUT M10 |
| 4 | V836859188 | 8 | STUD BOLT M10 X 100 |
| 5 | V546801380 | 4 | STUD BOLT M8 X 20 |
| 6 | V836666759 | 1 | SOLENOID |
| 7 | V581705080 | 2 | HEX SOCKET SCREW M10 X 55 |
| 8 | V836767027 | 1 | AIR PIPE |
| 9 | V836666074 | 2 | GASKET S1 |
| 10 | V836666073 | 1 | INTAKE AIR PREHEATER 12V/1.2KW |
| 11 | V836766752 | 1 | BRACKET |
| 12 | V836766828 | 1 | INTAKE MANIFOLD |
| 13 | V836747595 | 1 | INTAKE MANIFOLD GASKET S1 |
| 14 | V546801510 | 2 | STUD BOLT M8 X 80 |
| 15 | V546801540 | 2 | STUD BOLT M8 X 95 |
| 16 | V529801470 | 1 | HEX CAP SCREW M8 X 60 |
| 17 | V528801410 | 3 | HEX CAP SCREW M8 X 30 |
| 18 | V529801490 | 1 | HEX CAP SCREW M8 X 70 |
| 19 | V528801380 | 1 | HEX CAP SCREW M8 X 20 |
| 20 | V528800760 | 2 | HEX CAP SCREW M5 X 16 |
| 21 | V500150532 | 2 | WASHER |
| 22 | V836866960 | 2 | SPACER PIECE |
| 23 | V836659630 | 1 | SPACER PIECE |
| 24 | V836446243 | 2 | SUPPORT |
| 25 | V504800800 | 4 | NUT M8 |
| 26 | V529801530 | 1 | HEX CAP SCREW M8 X 90 |
| 27 | V528801080 | 1 | SCREW M6 X 20 |
| 28 | V500050642 | 1 | WASHER |
| 29 | V836652803 | 5 | SPACER PIECE |
| 30 | V504601000 | 5 | NUT M10 |

C120E TRACTOR (C SERIES)
SPIMG-012-21-24



<https://www.ebooklibonline.com>

Hello dear friend!

Thank you very much for reading.

Enter the link into your browser.

The full manual is available for immediate download.

<https://www.ebooklibonline.com>