

Page Title	Page Number
100 - TOLL'S BOX	101-01-108
100 - ADHESIVES (SPANISH)	101-02E-112
100 - ADHESIVES (ENGLISH)	101-02I-115
100 - ADHESIVES (PORTUGUESE)	101-02P-109
100 - ADHESIVES (SPANISH)	101-03E-113
100 - ADHESIVES (ENGLISH)	101-03I-116
100 - ADHESIVES (PORTUGUESE)	101-03P-110
100 - ADHESIVES (SPANISH)	101-04E-114
100 - ADHESIVES (ENGLISH)	101-04I-117
100 - ADHESIVES (PORTUGUESE)	101-04P-111
20 - CYLINDER BLOCK	21-01-119
20 - FLYWHEEL AND GEAR RIM	21-04-262
20 - CYLINDER HEAD	21-05-121
20 - VALVE MECHANISM	21-07-123
20 - CRANKSHAFT MECHANISM	21-09-853
20 - GEAR HOUSING	21-11-125
20 - ENGINE OIL COOLER	21-12-126
20 - SUMP	21-14-790
20 - AIR FILTER	21-16-128
20 - INLET AND EXHAUST MANIFOLD	21-17-129
20 - MUFFLER	21-18-130
20 - TURBOCHARGER	21-19-131
20 - INSTALATION AIR FILTER	21-20-148
20 - SEDIMENTATION FILTER	22-01-132
20 - FEED PUMP AND FUEL FILTER	22-02-133
20 - INJECTION PUMP	22-03-135
20 - THROTTLE SYSTEM	22-05-137
20 - RADIATOR	23-01-138
20 - WATER PUMP AND FAN	23-02-139
20 - GASKET SET S1	28-01-1003
20 - GASKET KIT S1 + S2	28-02-1004
20 - REPAIR KIT	28-05-146
30 - STARTER MOTOR - BOSCH	31-01-29
30 - STARTER MOTOR - ISKRA	31-02-531
30 - ALTERNATOR - 55A	31-03-150
30 - ALTERNATOR BOSCH - 90A	31-04-1283
30 - REAR ELETRICAL SYSTEM FOR CAB	32-01-157
30 - REAR ELETRICAL SYSTEM FOR CAB	32-03-155
30 - INSTRUMENTS	32-04-151
30 - LIGHTS	32-05-152
30 - PANEL ELETRIC SYSTEM	32-06-153
30 - FRONT ELETRIC SYSTEM	32-07-154
30 - ROTATING LIGHT (OPTIONAL EQUIPMENT)	39-01-162
30 - RADIO (OPTIONAL )	39-02-1350
30 - FRONT WINDOW WIPER AND WASHER (OPTIONAL)	39-03-302
30 - REAR WINDOW WIPER AND WASHER	39-04-38
30 - REAR FOG LIGHT (OPTIONAL)	39-05-159
30 - LIGHT NUMBER PLATE	39-07-160
40 - CLUTCH	41-02-164
40 - HOUSING GEAR BOX AND DRIVE SYSTEM	42-01-165

## TABLE OF CONTENT

40 - GEAR SHIFT LEVERS	42-02-166
40 - COUNTERSHAFT	42-03-169
40 - MAINSHAFT	42-04-168
40 - BEVEL CONICAL PINION SHAFT	42-05-170
40 - BEVEL CONICAL PINION SHAFT (TAB)	42-06-301
40 - TRANSMISSION DIFFERENTIAL	42-07-167
40 - VALVE PLATE	42-08-171
40 - TRANSMISSION COOLING	42-10-173
40 - MULTITORQUE CONTROL	44-01-174
40 - SHIFT ON THE GO UNDER DRIVE	44-02-175
40 - SHIFT ON THE GO UNDER DRIVE	44-03-176
40 - POWER TAKE OFF 540 RPM	46-01-177
40 - POWER TAKE OFF 540 - 1000 RPM	46-02-178
40 - POWER TAKE OFF 540 RPM PROPORCIONAL	46-03-179
40 - REAR HOUSING AND PTO LEVER	46-04-180
40 - REAR COVER	46-05-181
50 - FINAL DRIVE	51-01-182
50 - DIFFERENTIAL LOCK DRIVE	51-02-183
50 - BRAKE CONTROL DRIVE	51-03-184
60 - STEERING WHEEL COLUMN	61-01-185
60 - HYDRAULIC STEERING (4x4)	61-04-775
60 - HYDROSTATIC STEERING UNIT DANFOSS	61-07-189
60 - FRONT DRIVE SELECTING LEVER	63-01-192
60 - FRONT AXLE DANA (4x4)	64-02-194
60 - BEVEL GEAR, PINION AND DOUBLE JOINT - DANA	64-03-195
60 - DIFFERENTIAL DANA	64-04-196
60 - PLANETARY GEAR HOUSING AND WHEEL HUB - DANA	64-05-197
60 - STEERING CYLINDER AND ARM - DANA	64-06-198
60 - FRONT AND REAR BEARINGS, ZF AXLE - APL 350	65-02-469
60 - FRONT DRIVE AXLE ZF APL350	65-03-922
60 - DOUBLE JOINT - AXLE ZF APL350	65-04-492
60 - FRONT AXLE CASING ZF AS3050	65-05-1527
60 - CROWN GEAR/BEVEL PINION SHAFT AND REAR SUPPORT - ZF AS3050	65-06-1528
60 - DIFFERENTIAL - ZF AS3050	65-07-1529
60 - JOINT HOUSING - ZF AS3050	65-08-1530
60 - PLANETARY GEAR - ZF AS3050	65-09-1531
60 - STEERING CYLINDER - ZF AS3050	65-10-1532
60 - MULTITORQUE	65-11-1904
70 - FUEL TANK	71-02-214
70 - FRONT WHEEL (4x4)	72-02-210
70 - REAR WHEEL	72-04-862
70 - REAR WHEEL (OPTIONAL)	72-05-212
70 - DOUBLE REAR WHEEL 13.6 X 38, 14.9 X 28	72-06-1545
70 - BUFFER AND FRONT COUNTERWEIGHT	79-01-205
70 - REAR WHEEL COUNTERWEIGHTS (TYRE 18.4 x 34,18.4 x 30 and 13.6 x 38 )	79-03-208
70 - REAR WHEEL COUNTERWEIGHTS (TYRE 23.1 x 26 e 23.1 x 30))	79-04-1364
70 - REAR WHEEL COUNTERWEIGHT - ACCESSORY	79-05-1367
80 - ROOF	81-01-226
80 - CAB FRAME	81-02-222
80 - DOOR AND GLASS OF THE CAB	81-03-224
80 - WINDSCREEN	81-04-223
80 - REAR WINDOW AND GLASS OF THE CAB	81-05-225

## TABLE OF CONTENT

80 - CAB INSULATOR	81-06-220
80 - INSULATING AND COATING FOR CAB	81-07-221
80 - OLD SEAT MODEL	81-08-230
80 - SEAT (PART 1)	81-09-1287
80 - SEAT (PART 2)	81-10-1286
80 - SEAT (PART 3)	81-11-1285
80 - FRONT AND REAR MUDGUARDS	81-13-1533
80 - INSTRUMENTS PANEL	82-01-215
80 - OPEN CAB	83-01-218
80 - FRONT SHIELDS	83-03-217
80 - SAFETY FRAME AND ROOF (OPTIONAL )	89-01-219
80 - AIR CONDITIONING (OPTIONAL)	89-02-1836
80 - HEATING UNIT	89-04-227
90 - HYDRAULIC PUMP	91-01-240
90 - HYDRAULIC PUMP AND PIPE SYSTEM	91-04A-1550
90 - HYDRAULIC PUMP AND PIPE SYSTEM	91-04-1536
90 - LIFT ARM	91-07-233
90 - BY-PASS AND PRESSURE RELIEF VALVE	91-08-232
90 - HYDRAULIC CONTROL LEVERS AND CONTROL	91-09-231
90 - UPPER LINK ROD AND SENSITIVITY SYSTEM	91-10-234
90 - LIFT CONNECTION AND STABILIZER	91-11-235
90 - LIFT CYLINDER	99-01-241
90 - DIRECTIONAL CONTROL VALVE - NEW	99-02A-1538
90 - DIRECTIONAL CONTROL VALVE - ANTIQUE	99-02-243
90 - TRAILER HITCH	99-03-242

**<https://www.ebooklibonline.com>**

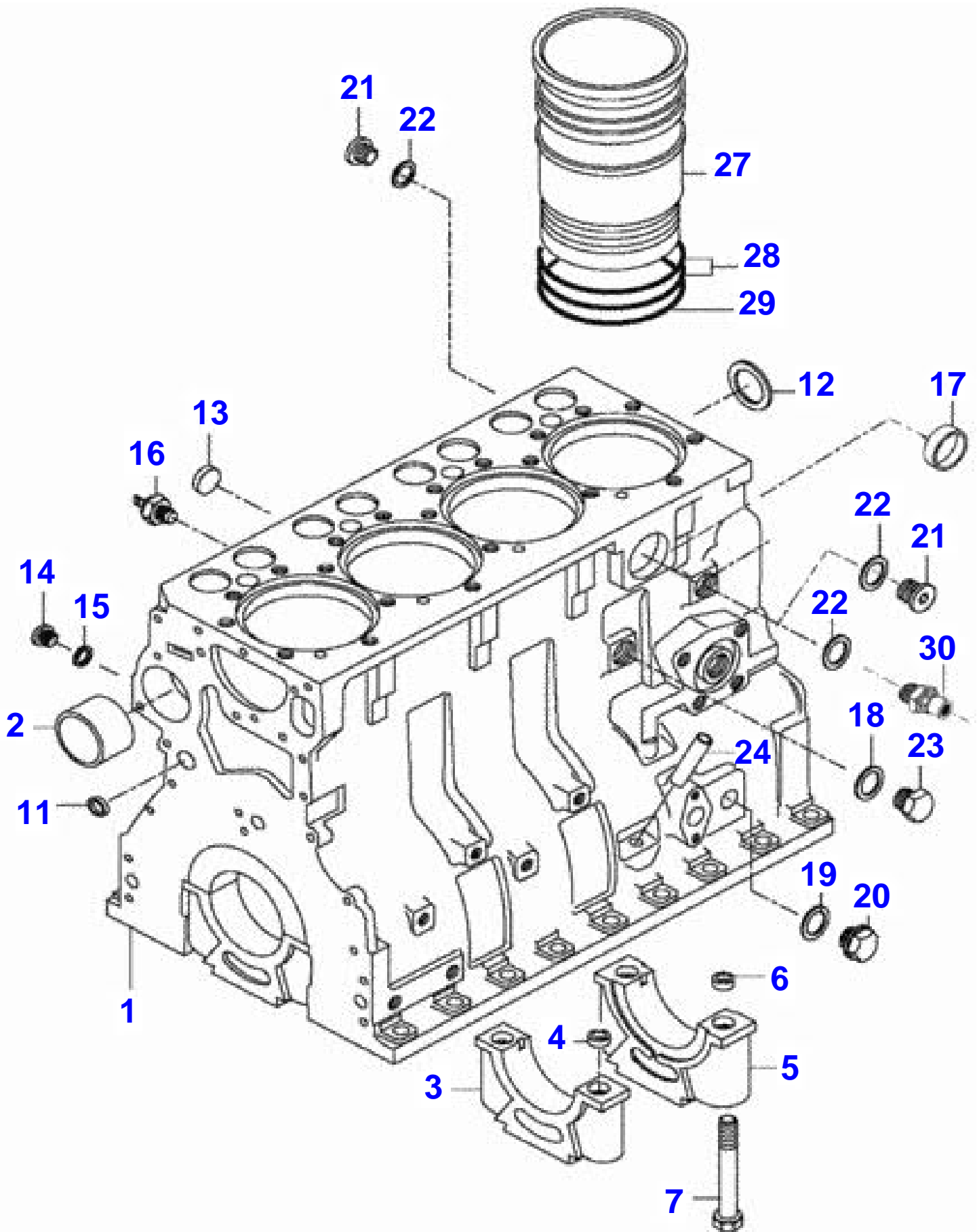
Hello dear friend!

Thank you very much for reading.

Enter the link into your browser.

The full manual is available for immediate download.

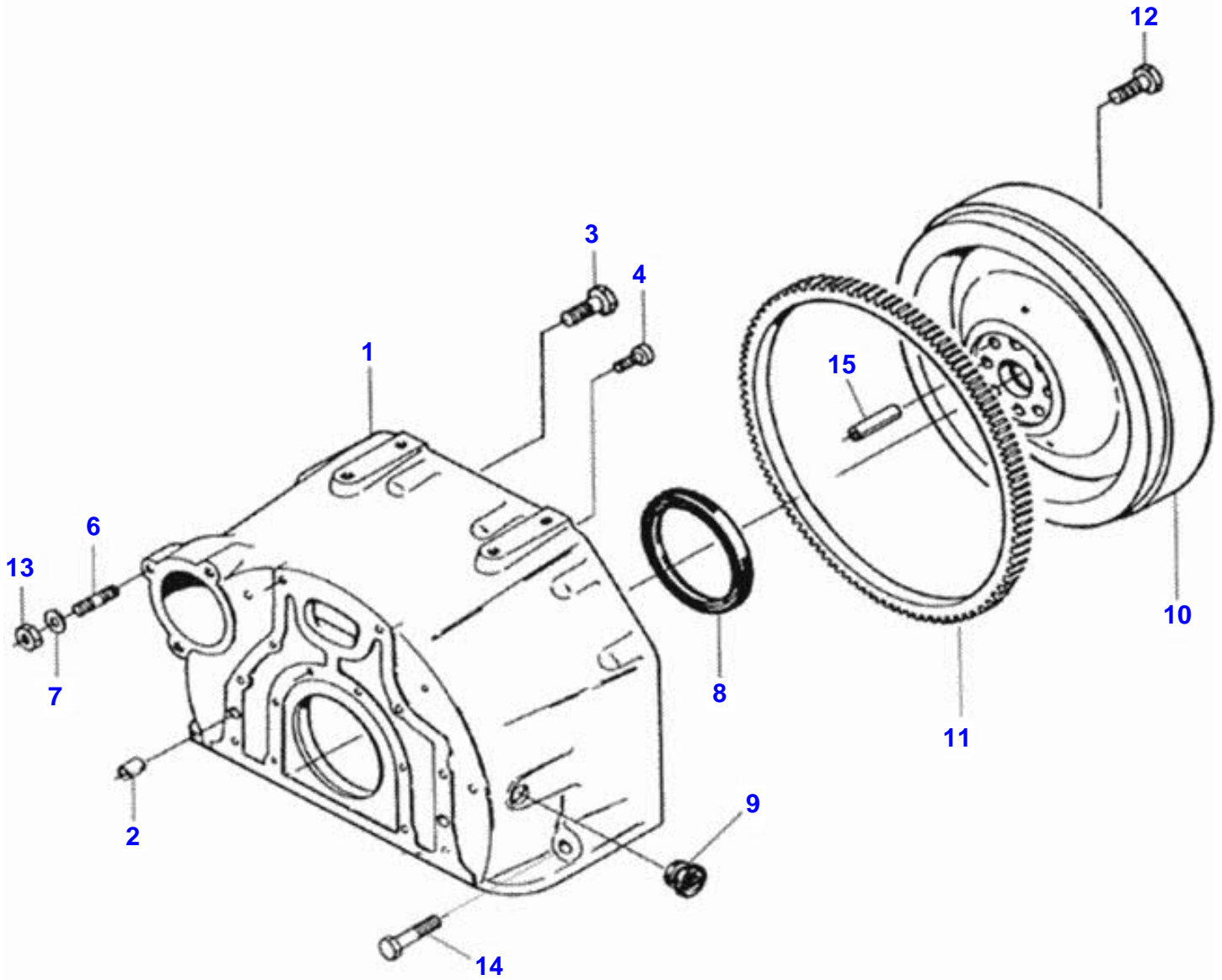
**<https://www.ebooklibonline.com>**



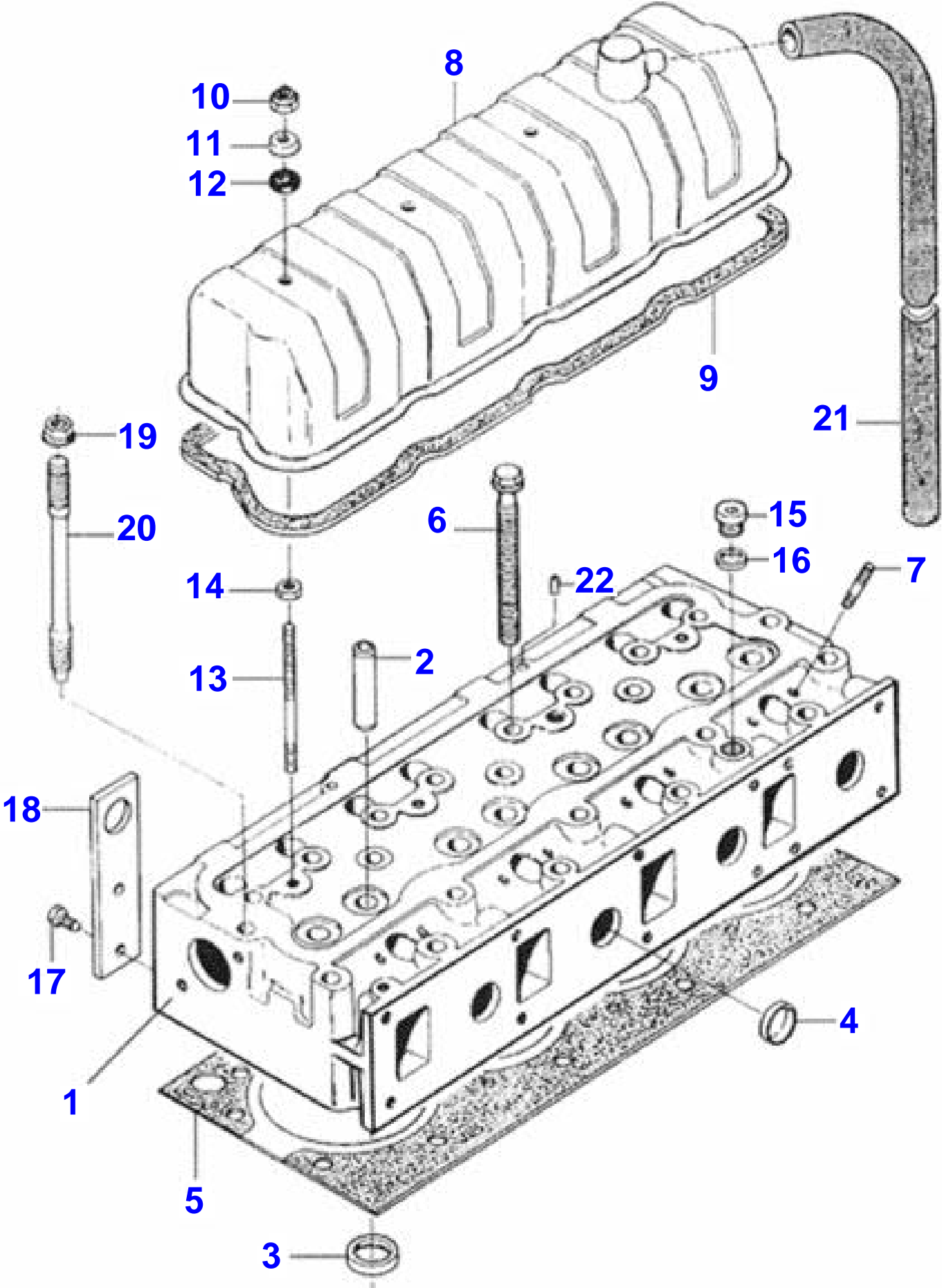
## 20 - CYLINDER BLOCK

Item	Part Number	Qty	Description
1	V836766377	1	Assy cylinder block
2	V836866069	1	Bushing
3		4	Bearing cover *
4	V836214478	8	Guide bushing
5		1	Bearing cover *
6	V836214478	2	Guide bushing
7	V529903180	10	Screw
11	V640016016	4	Plug ring cylinder block
12	V836529872	1	Plug
13	V640016018	1	Plug
14	VGR0261	1	Plug
15	V615571014	1	Seal ring
16	V887283760	1	Pressure switch
17	V640016040	1	Plug
18	VKH3617	1	Seal ring
20	V640305012	1	Plug
21	V640325018	1	Plug
22	VKH4946	2	O-ring
23	V836019756	1	Plug
24	V836014334	1	Pipe
27	V836647420	4	Cylinder liner Std - flange 9,03 mm
	V836647933	4	Cylinder liner flange 9,08 mm
	V836647934	4	Cylinder liner flange 9,13mm
	V836647935	4	Cylinder liner flange 9,23 mm
28	V836647502	8	O-ring, cylinder liner
29	V836647503	4	O-ring, cylinder liner
30	V836119837	1	Connection

\* Delivered only complete with block

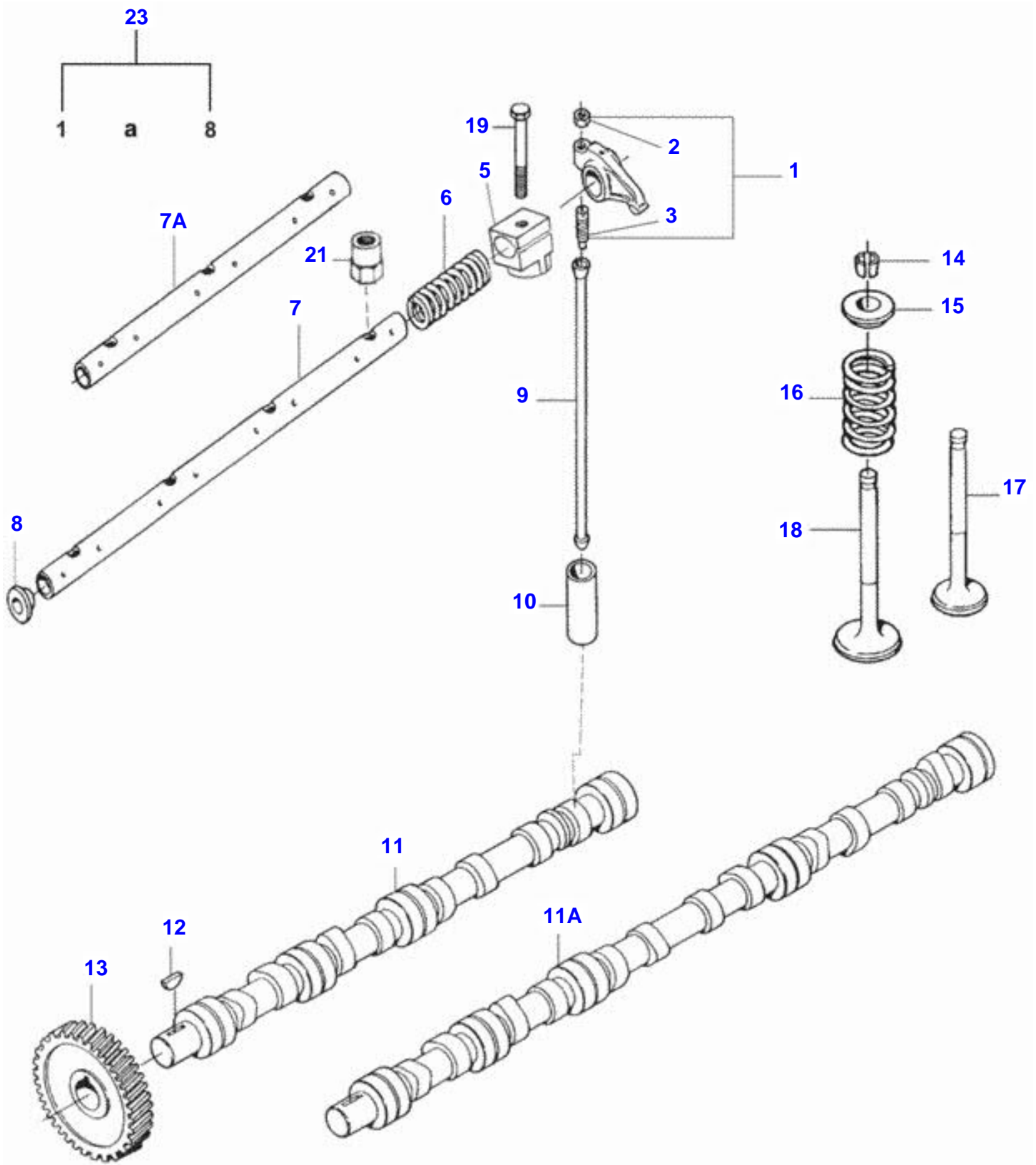


Item	Part Number	Qty	Description
1	V836647439	1	Flywheel housing
2	V598359850	2	Pin
3	V52890220	15	Screw
4	V581705030	6	Screw
6	V546801800	1	Stud bolt
7	V500951000	3	Washer
8	V614500002	1	Oil seal, crankshaft
9	V836007572	1	Plug
10	V82609500	1	Flywheel and housing
11	V835328783	1	Gear rim
12	V528902230	8	Screw
13	V504601000	3	Nut
14	VHC8519	2	Screw
15	V595955060	1	Pin



## 20 - CYLINDER HEAD

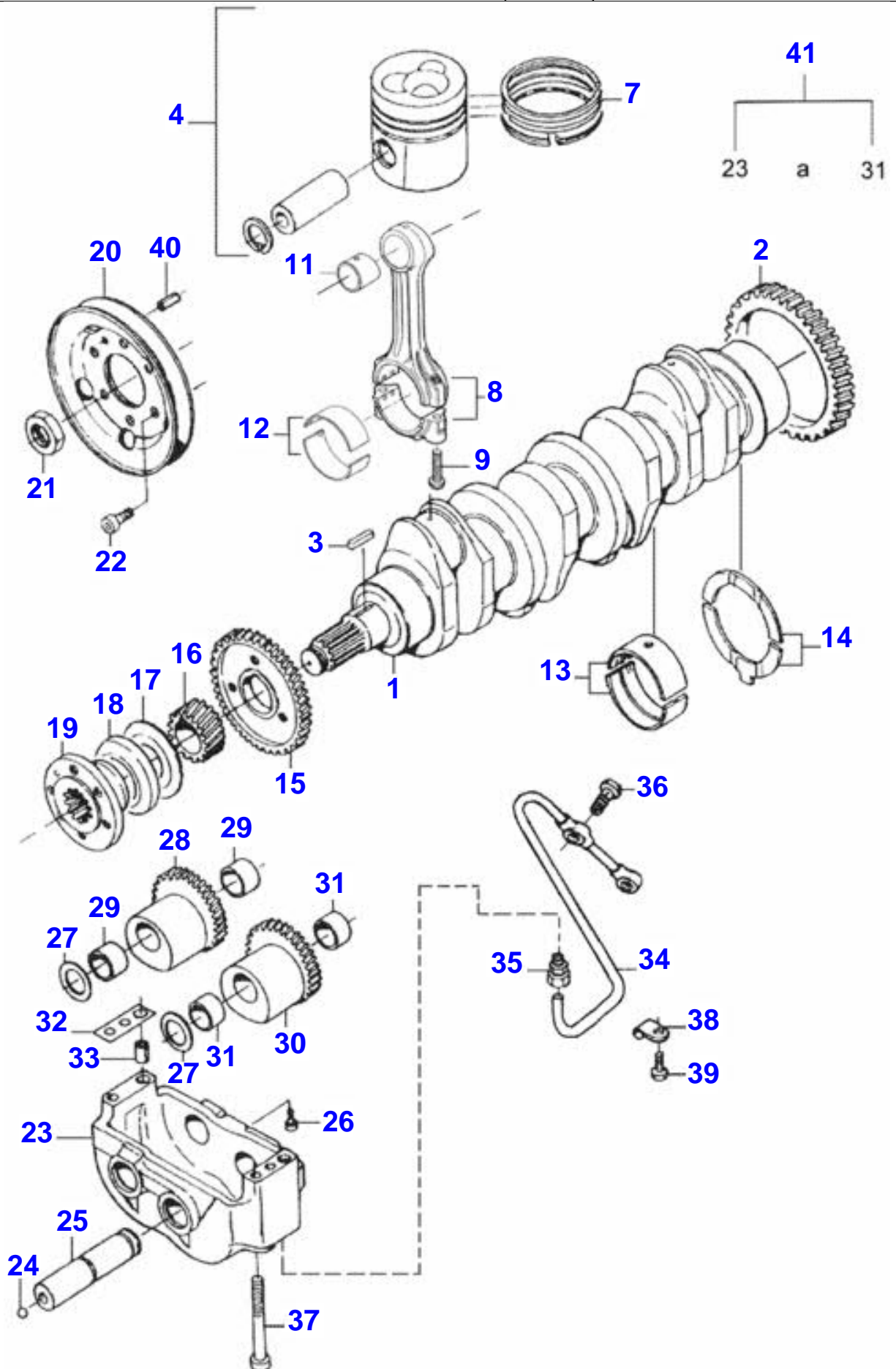
Item	Part Number	Qty	Description
1	V836755385	1	Cylinder head
2	V836673175	8	Valve guide
3	V836647600	4	Valve seat
	V836647936	4	Intake valve
4	V836647942	7	Cover
5	V836766301	1	Cylinder head gasket
6	V836646383	20	Screw
7	V546901435	8	Stud bolt
8	V836746361	1	Cover
9	V836746362	1	Gasket
10	VJB8905	4	Nut
11	V836119855	4	Washer
12	V836012841	4	Rubber washer
13	V546801900	4	Stud bolt
14	VJB1110	4	Nut
15	V640325018	1	Plug
16	V615881822	1	Support of the seal
17	V528801380	4	Screw
18	V836855349	2	Suspension lifteye
19	V836859110	2	Nut
20	V836859109	2	Stud bolt
21	V836755007	1	Hose
22	V595953360	2	Pin



## 20 - VALVE MECHANISM

Item	Part Number	Qty	Description
1	V836666608	8	Assy rocker arm Ref. 2 e 3
2	V512861000	8	Nut
3	V836655866	8	Screw
5	V836666609	4	Bracket
6	V836655884	3	Spring
7	V836755871	1	Shaft
8	V836655899	2	Plug
9	V836655867	8	Push rod
10	V836014264	8	Valve tappet
11	V836746375	1	Valve control axle
12	V603305760	1	Shifting
13	V836647381	1	Gear
14	V836646382	16	Valve cotter
15	V836646381	8	Spring plate
16	V836646380	8	Spring
17	V836646357	4	Exhaust vale
18	V836646356	4	Intake valve
21	V836655406	4	Nut
23	V836766611	1	Valve mechanism - assembly Ref. 1,2,3,5,6,7,8

BM110 TRACTOR (BRAZIL)



Item	Part Number	Qty	Description
1	V836747324	1	Crankshaft
2	V836124524	1	Gear
3	V603345110	1	Shifting
4	V836640073	4	Complete piston
7	V836640078	4	Piston ring set
8	V82659800	1	Connecting rod 4 cylinders Kit
9	V836864141	8	Screw
11	V836646271	4	Bushing
12	V836110552	4	Big-end bearing STD
	V836112762	4	Big-end bearing 0,25 mm
	V836112763	4	Big-end bearing 0,50 mm
	V836112767	4	Big-end bearing 1,50 mm
	V836112765	4	Big-end bearing 1,00 mm
13	V836655539	5	Main bearing 1,50mm
	V836655538	5	Main bearing 1,00mm
	V836655514	5	Big-end bearing STD
	V836655536	5	Main bearing 0,25mm
	V836655537	5	Main bearing 0,50mm
14	V836120332	2	Thrust washer
	V836120333	2	Thrust washer
	V836119459	2	Thrust washer Standard
15	V836119550	1	Gear
16	V836122840	1	Gear
17	V836129781	1	Ring
18	V836136271	1	Dust cover
19	V836846463	1	Hub
20	V836655449	1	Pulley
21	V836647310	1	Nut
22	V581804580	6	Screw
23	V836747348	1	Housing
24	V616810103	2	Ball
25	V836146879	2	Shaft
26	V581804200	2	Screw
27	V836146880	4	Washer
28	V836146877	1	Gear with counterweight Ref. 29
29	V836146876	2	Bushing
30	V836146878	1	Gear with counterweight Ref. 31
31	V836146876	2	Bushing
32	V836119920	-	Shim
33	V598359850	2	Pin
34	V836747298	1	Pipe
35	V641016008	1	Connection
36	V640435008	2	Banjo bolt
37	V581805170	4	Screw
38	V602071608	1	Clamp
39	VHA6313	1	Screw
40	V595953360	1	Pin
41	V836766123	1	Engine balancer - complete Ref. 23 a 31



**Suggest:**

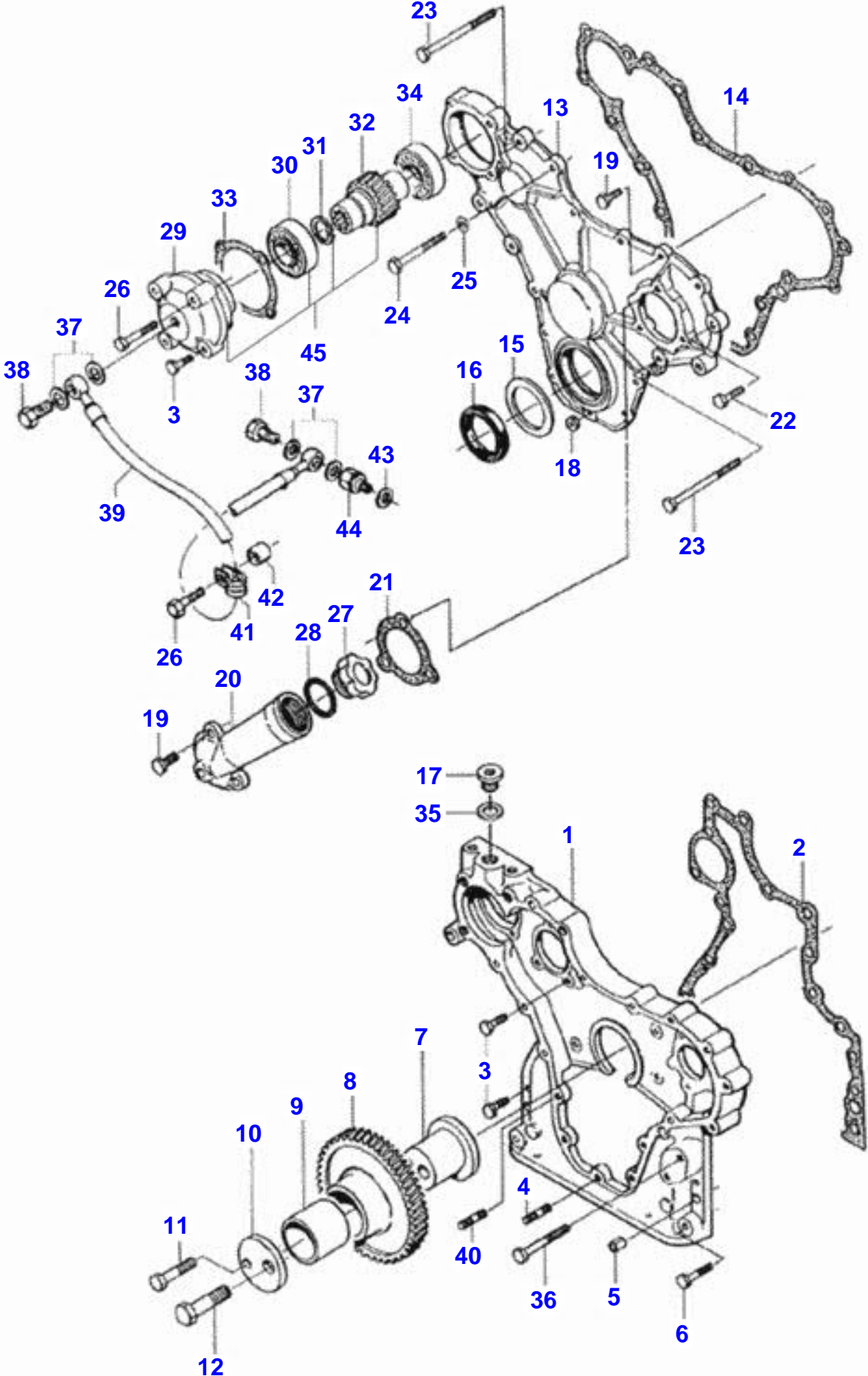
**For more complete manuals. Please go to the home page.**

**<https://www.ebooklibonline.com>**

**If the above button click is invalid. Please download this document first, and then click the above link to download the complete manual.**

**Thank you so much for reading**

BM110 TRACTOR (BRAZIL)



Item	Part Number	Qty	Description
1	V836652221	1	Gear housing
2	V836647419	1	Gasket gear housing
3	VHA6324	10	Screw
4	V546801380	5	Stud bolt
5	VJE8802	4	Pin
6	V529801440	2	Screw
7	V836138356	1	Shaft
8	V836138354	1	Gear assy
9	V836139039	1	Bushing
10	V836129845	1	Washer
11	V529801910	1	Screw
12	V529902720	1	Screw
13	V836647575	1	Cover
14	V835336796	1	Gasket front cover
15	V836129782	1	Shield ring
16	V614105880	1	Oil seal, crankshaft
17	V640325018	1	Plug
18	VJB1108	5	Nut
19	V528801380	5	Screw
20	V836746921	1	Pipe
21	V836129946	1	Gasket front cover
22	VHA9230	3	Screw
23	V529801500	2	Screw
24	VHA8328	3	Screw
25	V836120989	1	Washer
26	V529801460	3	Screw
27	V836338733	1	Cover
28	V614604740	1	O-ring, oil cap
29	V836655230	1	Bearing housing
30	VLA1014	1	Bearing
31	VKG3031	1	Circlip
32	V836122843	1	Shaft
33	V835336793	1	Gasket, bearing cover
34	VLA1014	1	Bearing
35	V615881822	1	Support of the seal
36	VHA8327	1	Screw
37	V615870610	4	Seal washer
38	V82619400	2	Banjo bolt
39	V82607600	1	Hose
40	V546801410	1	Stud bolt
41	V602060612	1	Clamp
42	V836119296	1	Spacer
43	V615571014	1	Seal ring
44	V836655233	1	Connection
45	V836647725	1	Bearing housing assy Ref. 29, 30, 31 e 32

**<https://www.ebooklibonline.com>**

Hello dear friend!

Thank you very much for reading.

Enter the link into your browser.

The full manual is available for immediate download.

**<https://www.ebooklibonline.com>**