

Page Title	Page Number
ADHESIVES (PORTUGUESE)	100-01-109
ADHESIVES (SPANISH)	100-01-112
ADHESIVES (ENGLISH)	100-01-115
ADHESIVES (PORTUGUESE)	100-02-110
ADHESIVES (SPANISH)	100-02-113
ADHESIVES (ENGLISH)	100-02-116
ADHESIVES (PORTUGUESE)	100-03-111
ADHESIVES (SPANISH)	100-03-114
ADHESIVES (ENGLISH)	100-03-117
ADHESIVES (PORTUGUESE)	100-04-2168
ADHESIVES (SPANISH)	100-04-2171
ADHESIVES (ENGLISH)	100-04-2174
ADHESIVES (PORTUGUESE)	100-05-2169
ADHESIVES (SPANISH)	100-05-2172
ADHESIVES (ENGLISH)	100-05-2175
ADHESIVES (PORTUGUESE)	100-06-2170
ADHESIVES (SPANISH)	100-06-2173
ADHESIVES (ENGLISH)	100-06-2176
TOLL'S BOX	101-01-108
CYLINDER BLOCK	021-01-119
FLYWHEEL AND GEAR RIM	021-03-120
CYLINDER HEAD	021-05-121
VALVE MECHANISM	021-07-123
CRANKSHAFT MECHANISM	021-08-124
GEAR HOUSING	021-11-125
ENGINE OIL COOLER	021-12-126
SUMP	021-13-127
AIR FILTER	021-16-128
INLET AND EXHAUST MANIFOLD	021-17-129
MUFFLER	021-18-130
TURBOCHARGER	021-19-131
INSTALATION AIR FILTER	021-20-148
OIL PAN PROTECTOR	021-21-147
SEDIMENTATION FILTER	022-01-132
FEED PUMP AND FUEL FILTER	022-02-133
INJECTION PUMP	022-03-135
THROTTLE SYSTEM	022-05-137
RADIATOR	023-01-138
WATER PUMP AND FAN	023-02-139
GASKET SET S1	028-01-1003
GASKET KIT S1 + S2	028-02-1004
REPAIR KIT	028-05-146
STARTER MOTOR - BOSCH	031-01-29
STARTER MOTOR- 4,2K W	031-02-2058
ALTERNATOR - 55A	031-03-150
ALTERNATOR BOSCH - 90A	031-04-1283
REAR ELETRICAL SYSTEM FOR CAB	032-01-157
REAR ELETRICAL SYSTEM FOR CAB	032-03-155
INSTRUMENTS	032-04-151
LIGHTS	032-05-152

TABLE OF CONTENTS

PANEL ELETRIC SYSTEM	032-06-153
FRONT ELETRIC SYSTEM	032-07-154
ROTATING LIGHT (OPTIONAL EQUIPMENT)	039-01-162
RADIO (OPTIONAL)	039-02-1350
FRONT WINDOW WIPER AND WASHER (OPTIONAL)	039-03-302
REAR WINDOW WIPER AND WASHER	039-04-38
REAR FOG LIGHT (OPTIONAL)	039-05-159
LIGHT NUMBER PLATE	039-07-160
CLUTCH	041-01-163
HOUSING GEAR BOX AND DRIVE SYSTEM	042-01-165
GEAR SHIFT LEVERS	042-02-166
COUNTERSHAFT	042-03-169
MAINSHAFT	042-04-168
BEVEL CONICAL PINION SHAFT	042-05-170
BEVEL CONICAL PINION SHAFT (TAB)	042-06-301
TRANSMISSION DIFFERENTIAL	042-07-167
VALVE PLATE	042-08-171
TRANSMISSION COOLING	042-09-172
MULTITORQUE CONTROL	044-01-174
SHIFT ON THE GO UNDER DRIVE	044-02-175
SHIFT ON THE GO UNDER DRIVE	044-03-176
POWER TAKE OFF 540 RPM	046-01-177
POWER TAKE OFF 540 - 1000 RPM	046-02-178
POWER TAKE OFF 540 RPM PROPORCIONAL	046-03-179
REAR HOUSING AND PTO LEVER	046-04-180
REAR COVER	046-05-181
SERVICE BRAKE CONTROL DRIVE	051-01-57
DIFFERENTIAL LOCK DRIVE	051-02-183
BRAKE CONTROL DRIVE	051-03-184
FINAL DRIVE	052-01-182
STEERING WHEEL COLUMN	061-01-185
HYDRAULIC STEERING (4x2)	061-02-186
HYDRAULIC STEERING (4x4)	061-03-774
HYDRAULIC STEERING 4x2 e 4x4	061-06-1934
HYDROSTATIC STEERING UNIT DANFOSS	061-07-189
FRONT AXLE SUPPORT	062-01-190
FRONT AXLE WITH STEERING CYLINDER	062-02-191
FRONT DRIVE SELECTING LEVER	063-01-192
FRAME AND BEARING OF FRONT AXLE CARRARO-PCR	064-01-1791
FRONT AXLE DANA (4x4)	064-01-193
ARTICULATION HOUSING CARRARO 20.43UP	064-02-63
BEVEL GEAR, PINION AND DOUBLE JOINT - DANA	064-03-195
FLANGE, BEVEL GEAR AND PINION CARRARO	064-03-64
DIFFERENTIAL DANA	064-04-196
DOUBLE JOINT CARRARO	064-04-66
PLANETARY GEAR HOUSING AND WHEEL HUB - DANA	064-05-197
PLANETARY GEAR HOUSING CARRARO	064-05-67
STEERING CYLINDER AND ARM - DANA	064-06-198
DIFFERENTIAL- CARRARO	064-06-65
FRONT AND REAR BEARINGS, ZF AXLE - APL 350	065-01-468
FRONT DRIVE AXLE ZF APL350	065-03-922
DOUBLE JOINT - AXLE ZF APL350	065-04-492

FRONT AXLE CASING ZF AS3050	065-05-1527
CROWN GEAR/BEVEL PINION SHAFT AND REAR SUPPORT - ZF AS3050	065-06-1528
DIFFERENTIAL - ZF AS3050	065-07-1529
JOINT HOUSING - ZF AS3050	065-08-1530
PLANETARY GEAR - ZF AS3050	065-09-1531
STEERING CYLINDER - ZF AS3050	065-10-1532
SHAFT UNIVERSAL GROUP - CARDAN STD	065-11-1904
SHAFT UNIVERSAL GROUP - CARDAN - PCR	065-11-1905
FUEL TANK	071-01-213
FRONT WHEEL (4x2)	072-01-209
FRONT WHEEL (4x4)	072-02-210
REAR WHEEL	072-03-772
REAR WHEEL (OPTIONAL)	072-05-212
DOUBLE REAR WHEEL 13.6 X 38, 14.9 X 28	072-06-1545
BUFFER AND FRONT COUNTERWEIGHT	079-01-205
REAR WHEEL COUNTERWEIGHTS (TYRE 18.4 x 34 e 18.4 x 38)	079-02-789
REAR WHEEL COUNTERWEIGHTS (TYRE 18.4 x 34,18.4 x 30 and 13.6 x 38))	079-03-208
REAR WHEEL COUNTERWEIGHTS (TYRE 23.1 x 26 e 23.1 x 30))	079-04-1364
REAR WHEEL COUNTERWEIGHT - ACCESSORY	079-05-1367
ROOF	081-01-226
CAB FRAME	081-02-222
DOOR AND GLASS OF THE CAB	081-03-224
WINDSCREEN	081-04-223
REAR WINDOW AND GLASS OF THE CAB	081-05-225
CAB INSULATOR	081-06-220
INSULATING AND COATING FOR CAB	081-07-221
OLD SEAT MODEL	081-08-230
SEAT (PART 1)	081-09-1287
SEAT (PART 2)	081-10-1286
SEAT (PART 3)	081-11-1285
FRONT AND REAR MUDGUARDS	081-13-1533
INSTRUMENTS PANEL	082-01-215
OPEN CAB	083-01-218
FRONT SHIELDS	083-02-216
SAFETY FRAME AND ROOF (OPTIONAL)	089-01-219
AIR CONDITIONING (OPTIONAL)	089-02-228
HEATING UNIT	089-04-227
HYDRAULIC PUMP	091-01-240
HYDRAULIC PUMP AND PIPE SYSTEM	091-02-236
HYDRAULIC PUMP AND PIPE SYSTEM - PCR	091-04-239
LIFT ARM	091-06-233
UPPER LINK ROD AND SENSITIVITY SYSTEM	091-07-234
LIFT CONNECTION AND STABILIZER	091-08-235
LIFT CYLINDER	091-09-241
TRAILER HITCH	091-10-242
BY-PASS AND PRESSURE RELIEF VALVE	092-01-232
DIRECTIONAL CONTROL VALVE - NEW	092-02-1538
HYDRAULIC CONTROL LEVERS AND CONTROL	093-01-231
DIRECTIONAL CONTROL VALVE - ANTIQUE	093-03-243

<https://www.ebooklibonline.com>

Hello dear friend!

Thank you very much for reading.

Enter the link into your browser.

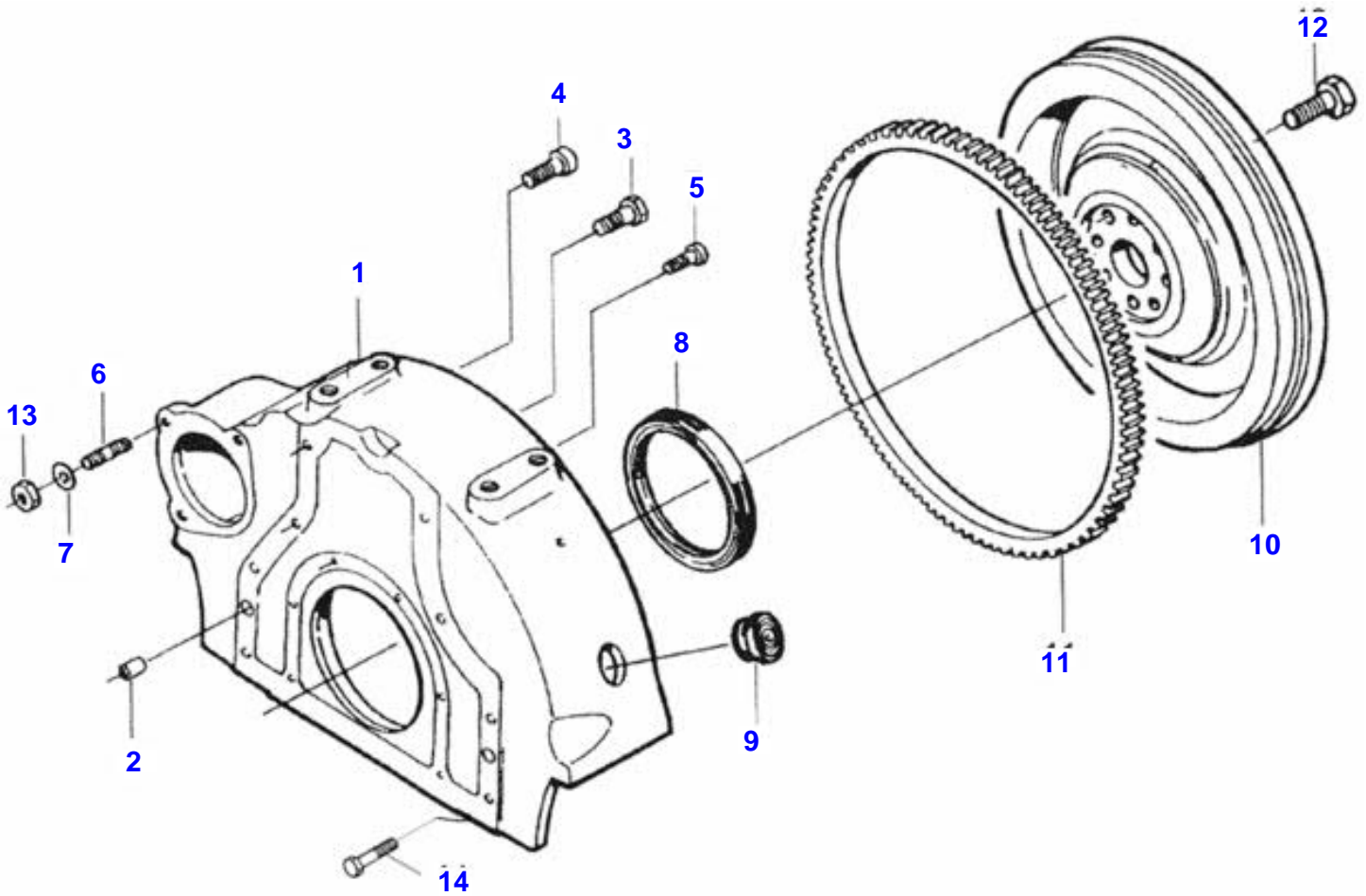
The full manual is available for immediate download.

<https://www.ebooklibonline.com>

CYLINDER BLOCK

Item	Part Number	Qty	Description	Comments
1	V836773437	1	Assy cylinder block	
2	V836866069	1	Bushing	
6	V836214478	8	Guide bushing	
7	V529903180	10	Screw	
11	V640016016	4	Plug ring cylinder block	
12	V836529872	1	Plug	
13	VGR5111	1	Plug	
14	VGR0261	2	Plug	
15	V615571014	3	Seal ring	
16	V887283760	1	Pressure switch	
17	V640016040	1	Plug	
18	VKH3617	1	Seal ring	
19	V615881216	1	O-ring	
20	V640305012	5	Plug	
21	V640325018	2	Plug	
22	VKH4946	2	O-ring	
23	V836019756	1	Plug	
24	V836014334	1	Pipe	
27	V836673191	4	Cylinder liner	Ref.28 e 29 Std - flange 9,03 mm
	V836647933	4	Cylinder liner	flange 9,08 mm
	V836647934	4	Cylinder liner	flange 9,13mm
	V836647935	4	Cylinder liner	flange 9,23 mm
28	V836647502	8	O-ring, cylinder liner	
29	V836647503	4	O-ring, cylinder liner	
30	V836119837	1	Connection	
31	V88659400	1	Shot engine	

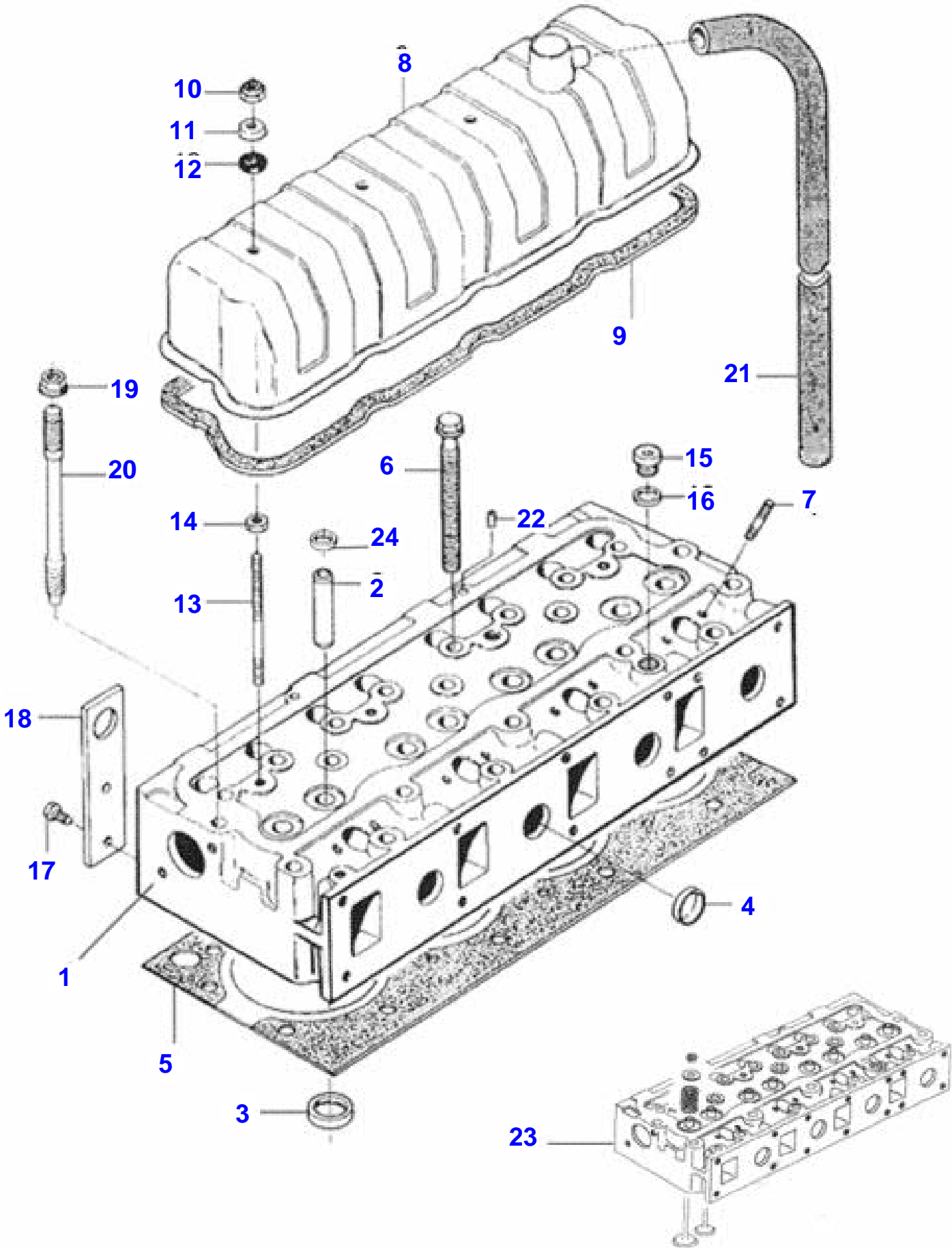
BM100 TRACTOR (BRAZIL)
FLYWHEEL AND GEAR RIM



FLYWHEEL AND GEAR RIM

Item	Part Number	Qty	Description
1	V836647443	1	Flywheel housing
2	V598359850	1	Pin
3	V528902220	6	Screw
4	V581705440	2	Screw
5	V581705030	6	Screw
6	V546801800	3	Stud bolt
7	V500951000	3	Washer
8	V614500002	1	Oil seal, crankshaft
9	V836007572	1	Plug
10	V836755038	1	Flywheel and housing
11	V836117970	1	Gear rim
12	V528902230	8	Screw
13	V504601000	3	Nut
14	VHC8519	2	Screw

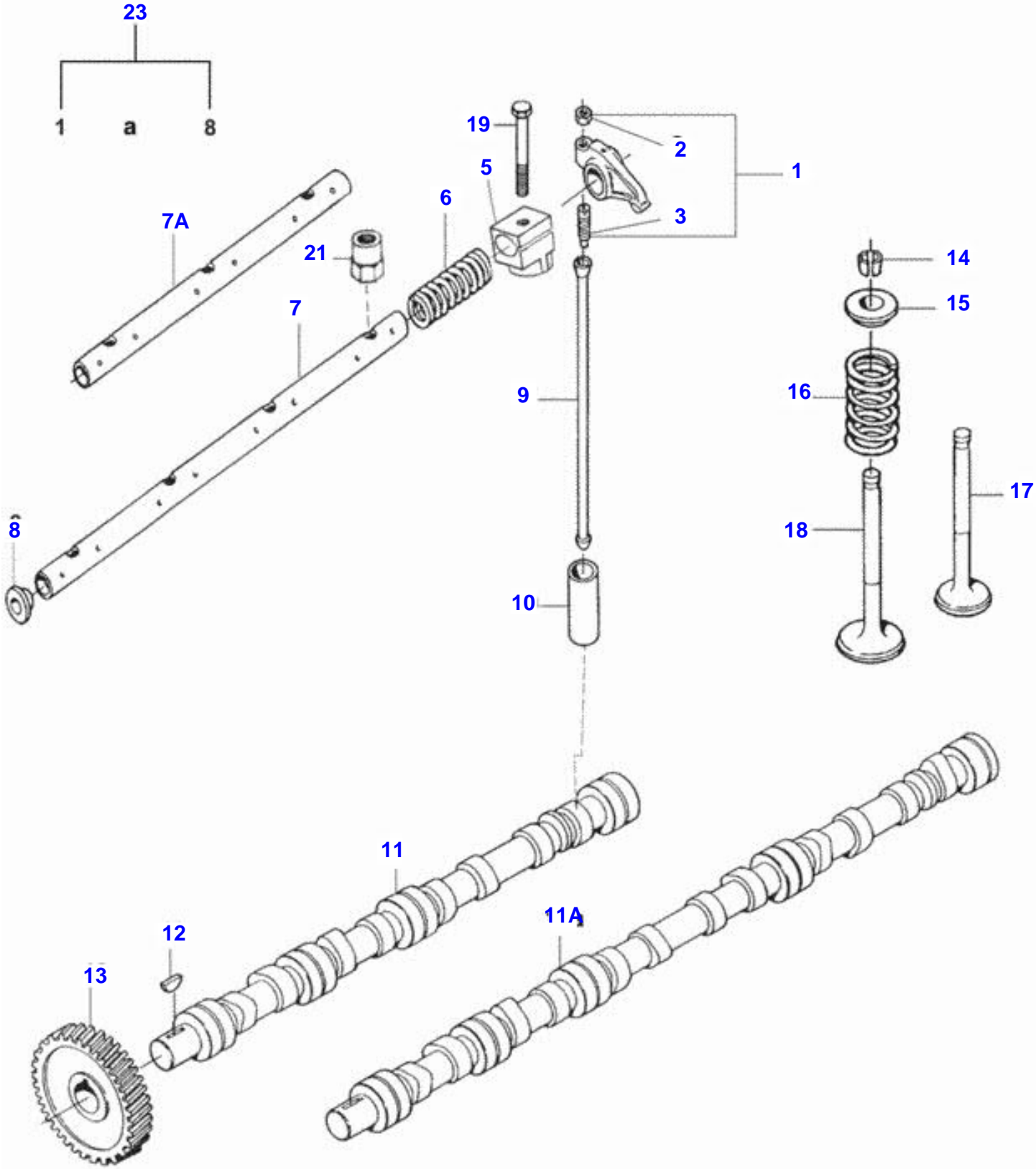
BM100 TRACTOR (BRAZIL)
CYLINDER HEAD



CYLINDER HEAD

Item	Part Number	Qty	Description
1	V836755385	1	Cylinder head
2	V836673175	8	Valve guide
3	V836647600	4	Valve seat
	V836647936	4	Intake valve
4	V836647942	7	Cover
5	V837070291	1	Cylinder head gasket
6	V836859104	20	Screw
7	V546901435	8	Stud bolt
8	V836746361	1	Cover
9	V836746362	1	Gasket
10	VJB8905	4	Nut
11	V836119855	4	Washer
12	V836012841	4	Rubber washer
13	V546801900	4	Stud bolt
14	VJB1110	4	Nut
15	V640325018	1	Plug
16	VKH3617	1	Seal ring
17	VHA6323	4	Screw
18	V836855349	2	Suspension lifteye
19	V836859110	2	Nut
20	V836859109	2	Stud bolt
21	V836755007	1	Hose
22	V595959140	2	Pressure pin
23	V89605500	1	Assy cylinder head
24	V837073166	1	Oil seal

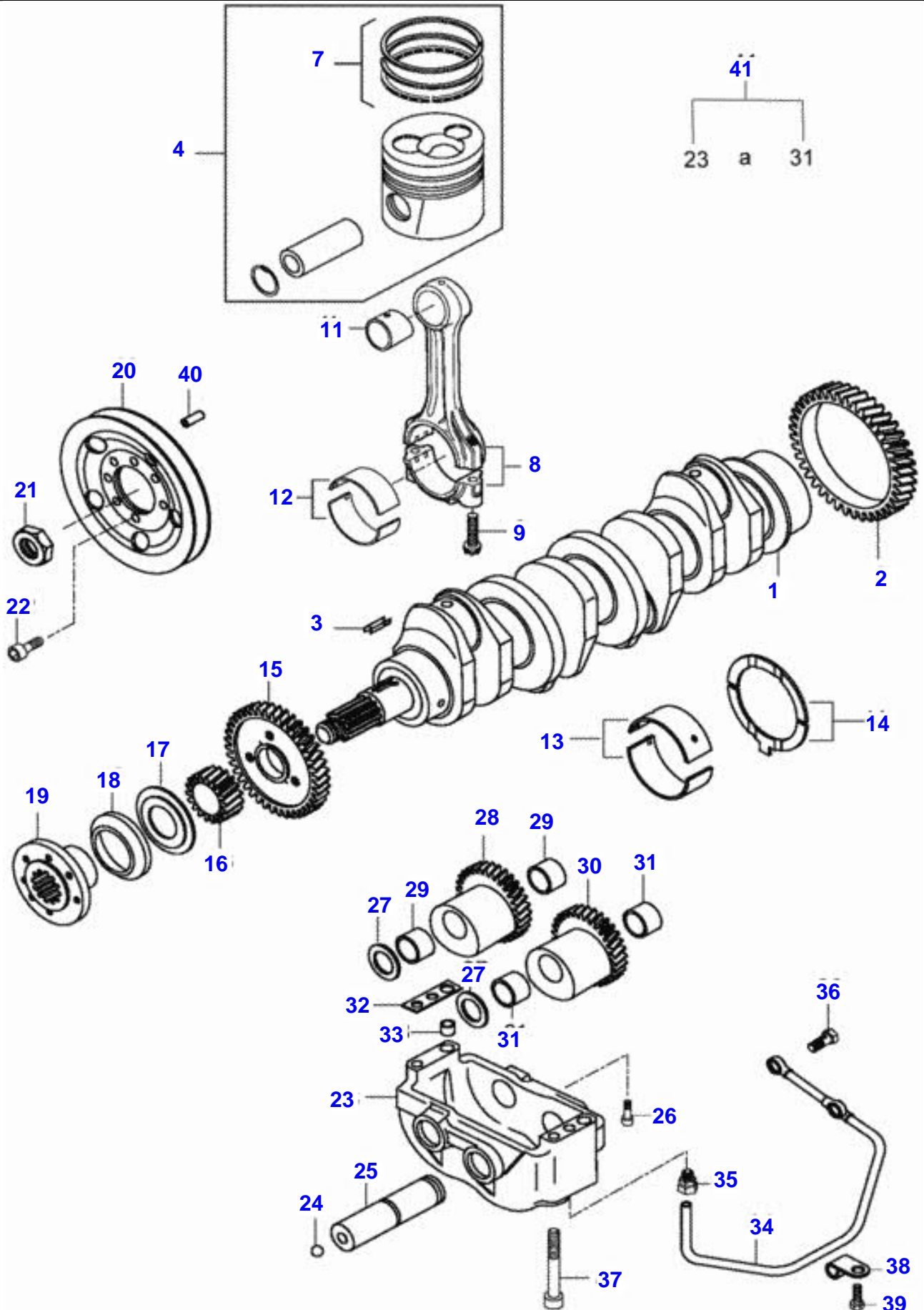
BM100 TRACTOR (BRAZIL)
VALVE MECHANISM



VALVE MECHANISM

Item	Part Number	Qty	Description	Comments
1	V836667042	8	Assy rocker arm	Ref. 2 e 3
2	V512861000	8	Nut	
3	V837069023	8	Screw	
5	V836666609	4	Bracket	
6	V836655884	3	Compresion Spring	
7	V836755871	1	Shaft	
8	V837069020	2	Plug	
9	V836655867	8	Push rod	
10	V836014264	8	Valve tappet	
11	V836746375	1	Valve control axle	
12	V603305760	1	Shifting	
13	V836646389	1	Gear	
14	V836646382	16	Valve cotter	
15	V836646381	8	Spring plate	
16	V836646380	8	Spring	
17	V836646357	4	Exhaust vane	
18	V836646356	4	Intake valve	
21	V836655406	4	Nut	
23	V836767044	1	Valve mechanism - assembly	Ref. 1,2,3,5,6,7,8

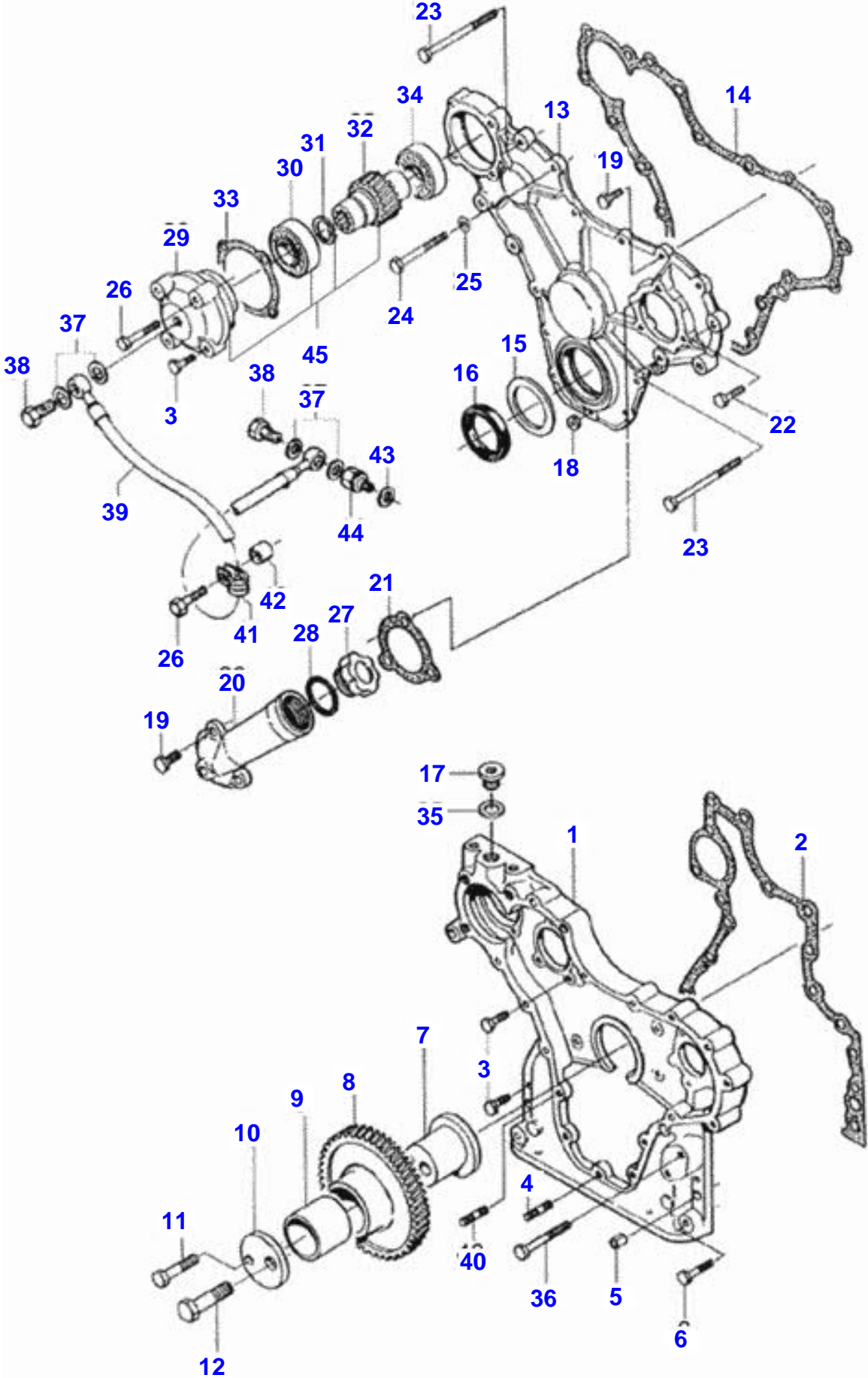
BM100 TRACTOR (BRAZIL) CRANKSHAFT MECHANISM



CRANKSHAFT MECHANISM

Item	Part Number	Qty	Description	Comments
1	V836752303	1	Crankshaft	Ref. 2
2	V836124524	1	Gear	
3	V603345110	1	Shifting	
4	V88605300	4	Complete piston	
7	V836640126	4	Piston ring set	
8	V82659800	1	Connecting rod 4 cylinders Kit	
9	V836864141	8	Screw	
11	V836110646	4	Bushing	
12	V836110552	4	Big-end bearing STD	
	V836112762	4	Big-end bearing 0,25 mm	
	V836112763	4	Big-end bearing 0,50 mm	
	V836112765	4	Big-end bearing 1,00 mm	
	V836112767	4	Big-end bearing 1,50 mm	
13	V836655514	5	Big-end bearing STD	
	V836655536	5	Main bearing 0,25mm	
	V836655537	5	Main bearing 0,50mm	
	V836655538	5	Main bearing 1,00mm	
	V836655539	5	Main bearing 1,50mm	
14	V836120332	2	Thrust washer	0,10mm
	V836120333	2	Thrust washer	0,20mm
	V836119459	2	Thrust washer	Standard
15	V836119550	1	Gear	
16	V836122840	1	Gear	
17	V836129781	1	Ring	
18	V836136271	1	Dust cover	
19	V836846463	1	Hub	
20	V836655449	1	Pulley	
21	V836847641	1	Nut	
22	V581804580	6	Screw	
23	V836747348	1	Housing	
24	V616810103	2	Ball	
25	V836146879	2	Shaft	
26	V581804200	2	Screw	
27	V836146880	4	Washer	
28	V836146877	1	Gear with counterweight	Ref. 29
29	V836146876	2	Bushing	
30	V836146878	1	Gear with counterweight	Ref. 31
31	V836146876	2	Bushing	
32	V836119920	-	Shim	
33	V598359850	2	Pin	
34	V836747478	1	Pipe	
35	V641016008	1	Connection	
36	V640435008	2	Banjo bolt	
37	V581805170	2	Screw	
38	V602071608	1	Clamp	
39	VHA6313	1	Screw	
40	V595953360	1	Pin	
41	V836766123	1	Engine balancer - complete	Ref. 23 ao 31

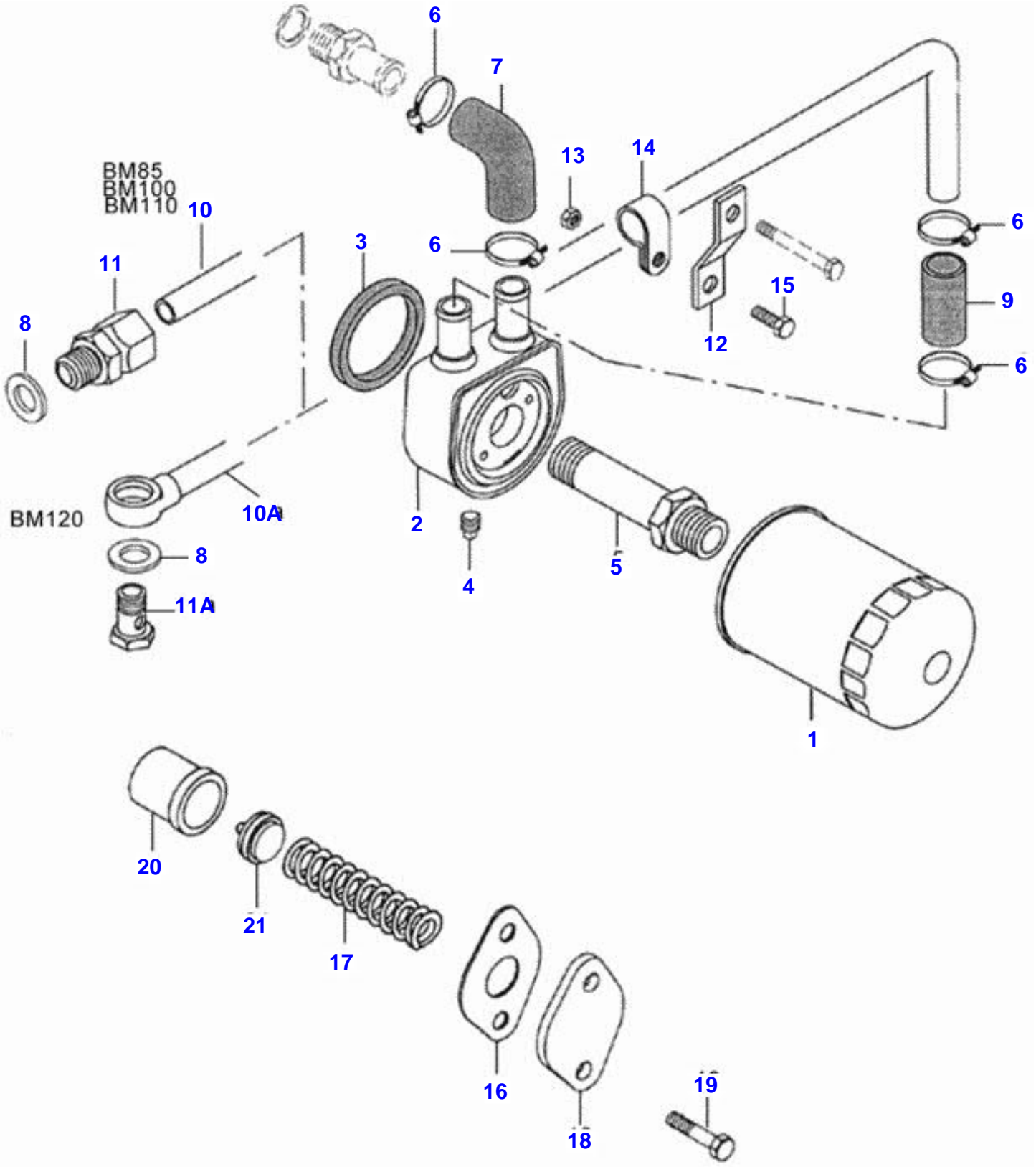
BM100 TRACTOR (BRAZIL)
GEAR HOUSING



GEAR HOUSING

Item	Part Number	Qty	Description	Comments
1	V836652221	1	Gear housing	
2	V836647419	1	Gasket gear housing	
3	VHA6324	10	Screw	
4	V546801380	5	Stud bolt	
5	VJE8802	4	Pin	
6	V529801440	2	Screw	
7	V836766127	1	Shaft	
8	V836138354	1	Gear assy	
9	V836139039	1	Bushing	
10	V836129845	1	Washer	
11	V529801910	1	Screw	
12	V529902720	1	Screw	
13	V836647575	1	Cover	
14	V835336796	1	Gasket front cover	
15	V836129782	1	Shield ring	
16	V836673387	1	Oil seal, crankshaft	
17	V640325018	1	Plug	
18	VJB1108	5	Nut	
19	V528801380	5	Screw	
20	V836746921	1	Pipe	
21	V89617700	1	Silicone Gasket cover	
22	VHA9230	3	Screw	
23	V529801500	2	Screw	
24	VHA8328	3	Screw	
25	V836120989	1	Washer	
26	V529801460	3	Screw	
27	V836338733	1	Cover	
28	V614604740	1	O-ring, oil cap	
29	V836655230	1	Bearing housing	
30	VLA1014	1	Bearing	
31	VKG3031	1	Circlip	
32	V836122843	1	Shaft	
33	V835336793	1	Gasket, bearing cover	
34	VLA1014	1	Bearing	
35	V615881822	1	Seal ring	
36	VHA8327	1	Screw	
37	V615870610	4	Seal washer	
38	V82619400	2	Banjo bolt	
39	V82607600	1	Hose	
40	V546801410	1	Stud bolt	
41	V602060612	1	Clamp	
42	V836119296	1	Spacer	
43	V615571014	1	Seal ring	
44	V836655233	1	Connection	
45	V836647725	1	Bearing housing assy	Ref. 29, 30, 31 e 32

BM100 TRACTOR (BRAZIL)
ENGINE OIL COOLER





Suggest:

For more complete manuals. Please go to the home page.

<https://www.ebooklibonline.com>

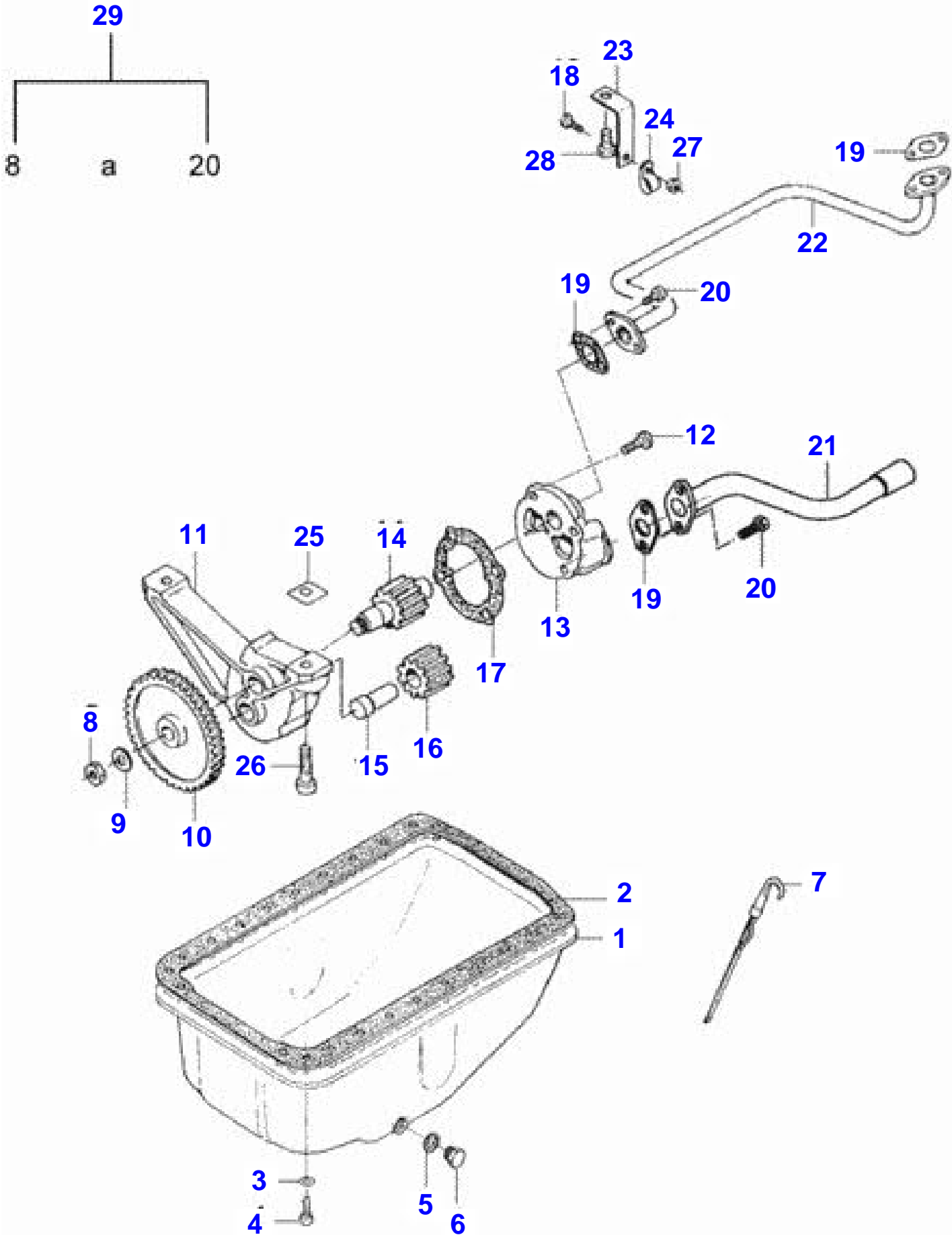
If the above button click is invalid. Please download this document first, and then click the above link to download the complete manual.

Thank you so much for reading

ENGINE OIL COOLER

Item	Part Number	Qty	Description	Comments
1	V836647133	1	Oil filter	
2	V836859699	1	Oil cooler	Incluso 3 e 4
3	V835331586	1	Oil seal	
4	V836131366	1	Plug	
5	V836647405	1	Connection	
6	VGP3910	4	Clamp	
7	V836747124	4	Hose	
8	VKH3617	1	Seal ring	
9	V836129978	1	Hose	
10	V83672600	1	Pipe	
11	V641086015	1	Connection	
12	V836847930	1	Bracket	
13	VJB1108	1	Nut	
14	V602074615	1	Clamp	
15	VHA6323	1	Screw	
16	V836322190	1	Gasket	
17	V836659523	1	Spring	
18	V836129849	1	Cover	
19	VHA9230	2	Screw	
20	V836659521	1	Seat valve	
21	V836659522	1	Valve	

BM100 TRACTOR (BRAZIL)
SUMP



<https://www.ebooklibonline.com>

Hello dear friend!

Thank you very much for reading.

Enter the link into your browser.

The full manual is available for immediate download.

<https://www.ebooklibonline.com>