

| <b>Page Number</b> | <b>Page Title</b>               | <b>Page Reference</b> |
|--------------------|---------------------------------|-----------------------|
| 01-000-TOC         | ENGINE, FUEL AND EXHAUST SYSTEM | 01-000-TOC            |
| 02-000-TOC         | AXLES                           | 02-000-TOC            |
| 03-000-TOC         | STEERING SYSTEM                 | 03-000-TOC            |
| 04-000-TOC         | DRIVE TRAIN SYSTEM              | 04-000-TOC            |
| 05-000-TOC         | HYDRAULIC SYSTEM                | 05-000-TOC            |
| 06-000-TOC         | ELECTRICAL SYSTEM               | 06-000-TOC            |
| 07-000-TOC         | CAB                             | 07-000-TOC            |
| 08-000-TOC         | DECALS                          | 08-000-TOC            |
| 09-000-TOC         | WHEELS                          | 09-000-TOC            |
| 10-000-TOC         | ACCESSORIES                     | 10-000-TOC            |

| Page Number | Page Title  | Page Reference |
|-------------|---|----------------|
| 01-0001     | CYLINDER BLOCK  | V116Z024-1     |
| 01-0002     | FLYWHEEL AND GEAR RIM   | V200Z013-1     |
| 01-0003     | CYLINDER HEAD   | V120Z024-1     |
| 01-0004     | VALVE MECHANISM   | V660Z019-1     |
| 01-0005     | CRANKSHAFT MECHANISM  | V113Z024-1     |
| 01-0006     | GEAR HOUSING  | V293Z013-1     |
| 01-0007     | ENGINE OIL COOLER   | V184Z007-1     |
| 01-0008     | SUMP  | V631Z024-1     |
| 01-0009     | AIR FILTER  | V019Z026-1     |
| 01-0010     | INLET AND EXHAUST MANIFOLD  | V377Z008-1     |
| 01-0011     | MUFFLER   | V424Z021-1     |
| 01-0012     | TURBOCHARGER  | V653Z020-1     |
| 01-0013     | INSTALATION AIR FILTER  | V381Z007-1     |
| 01-0014     | INTERCOOLER SYSTEM  | V386Z003-1     |
| 01-0015     | SEDIMENTATION FILTER  | V571Z024-1     |
| 01-0016     | FEED PUMP AND FUEL FILTER   | V193Z007-1     |
| 01-0017     | INJECTION PUMP  | V369Z024-1     |
| 01-0018     | THROTTLE SYSTEM   | V641Z024-1     |
| 01-0019     | RADIATOR  | V475Z024-1     |
| 01-0020     | WATER PUMP AND FAN  | V666Z013-1     |
| 01-0021     | GASKET SET S1   | V289Z011-1     |
| 01-0022     | GASKET KIT S1 + S2  | V286Z017-1     |
| 01-0023     | REPAIR KIT  | V541Z013-1     |
| 01-0024     | CYLINDER BLOCK - PLATFORM\ FROM ENGINE SERIAL NUMBER - ABE204011                | V116Z079-1     |
| 01-0025     | GEAR HOUSING - PLATFORM\ FROM ENGINE SERIAL NUMBER - ABE204011                  | V293Z066-1     |
| 01-0026     | FLYWHEEL AND FLYWHEEL HOUSING - PLATFORM\ FROM ENGINE SERIAL NUMBER - ABE204011 | N369Z008-1     |
| 01-0027     | CRANKSHAFT - PLATFORM\ FROM ENGINE SERIAL NUMBER - ABE204011                    | EJ83Z015-1     |
| 01-0028     | ENGINE BALANCER - PLATFORM\ FROM ENGINE SERIAL NUMBER - ABE204011               | V181Z010-1     |
| 01-0029     | VALVES MECHANISM - PLATFORM\ FROM ENGINE SERIAL NUMBER - ABE204011              | V662Z045-1     |
| 01-0030     | CYLINDER HEAD - PLATFORM\ FROM ENGINE SERIAL NUMBER - ABE204011                 | V120Z090-1     |
| 01-0031     | INLET AND EXHAUST MANIFOLD - PLATFORM\ FROM ENGINE SERIAL NUMBER - ABE204011    | V377Z037-1     |
| 01-0032     | TURBOCHARGER - PLATFORM\ FROM ENGINE SERIAL NUMBER - ABE204011                  | V654Z034-1     |
| 01-0033     | ENGINE OIL SUMP - PLATFORM\ FROM ENGINE SERIAL NUMBER - ABE204011               | Q152Z005-1     |
| 01-0034     | OIL FILTER - PLATFORM\ FROM ENGINE SERIAL NUMBER - ABE204011                    | EO28Z007-1     |
| 01-0035     | COOLANT PUMP - PLATFORM\ FROM ENGINE SERIAL NUMBER - ABE204011                  | N687Z046-1     |
| 01-0036     | INJECTION PUMP - PLATFORM\ FROM ENGINE SERIAL NUMBER - ABE204011                | EJ82Z010-1     |
| 01-0037     | SOLENOID - PLATFORM\ FROM ENGINE SERIAL NUMBER - ABE204011                      | ZY58Z018-1     |
| 01-0038     | SEDIMENTER FILTER - PLATFORM\ FROM ENGINE SERIAL NUMBER - ABE204011             | Q390Z012-1     |
| 01-0039     | FUEL FILTER - PLATFORM\ FROM ENGINE SERIAL NUMBER - ABE204011                   | V267Z059-1     |
| 01-0040     | ALTERNATOR AND STARTER - PLATFORM\ FROM ENGINE SERIAL NUMBER - ABE204011        | 0168Z013-1     |
| 01-0041     | ALTERNATOR - 55A  | V022Z008-1     |
| 01-0042     | GASKET SET S1 - PLATFORM\ FROM ENGINE SERIAL NUMBER - ABE204011                 | N736Z035-1     |
| 01-0043     | GASKET KIT S1+S2 - PLATFORM\ FROM ENGINE SERIAL NUMBER - ABE204011              | Q792Z005-1     |
| 01-0044     | ENGINE REPAIR KIT - PLATFORM\ FROM ENGINE SERIAL NUMBER - ABE204011             | Q472Z034-1     |
| 01-0045     | CYLINDER BLOCK - CAB\ FROM ENGINE SERIAL NUMBER - ABE204011                     | V116Z080-1     |
| 01-0046     | GEAR HOUSING - CAB\ FROM ENGINE SERIAL NUMBER - ABE204011                       | V293Z067-1     |
| 01-0047     | FLYWHEEL AND FLYWHEEL HOUSING - CAB\ FROM ENGINE SERIAL NUMBER - ABE204011      | N369Z009-1     |
| 01-0048     | CRANKSHAFT - CAB\ FROM ENGINE SERIAL NUMBER - ABE204011                         | EJ83Z016-1     |
| 01-0049     | ENGINE BALANCER - CAB\ FROM ENGINE SERIAL NUMBER - ABE204011                    | V181Z011-1     |
| 01-0050     | VALVES MECHANISM - CAB\ FROM ENGINE SERIAL NUMBER - ABE204011                   | V662Z046-1     |
| 01-0051     | CYLINDER HEAD - CAB\ FROM ENGINE SERIAL NUMBER - ABE204011                      | V120Z091-1     |
| 01-0052     | INLET AND EXHAUST MANIFOLD - CAB\ FROM ENGINE SERIAL NUMBER - ABE204011         | V377Z038-1     |
| 01-0053     | TURBOCHARGER - CAB\ FROM ENGINE SERIAL NUMBER - ABE204011                       | V654Z035-1     |
| 01-0054     | ENGINE OIL SUMP - CAB\ FROM ENGINE SERIAL NUMBER - ABE204011                    | Q152Z006-1     |
| 01-0055     | OIL FILTER - CAB\ FROM ENGINE SERIAL NUMBER - ABE204011                         | EO28Z008-1     |
| 01-0056     | COOLANT PUMP - CAB\ FROM ENGINE SERIAL NUMBER - ABE204011                       | N687Z047-1     |
| 01-0057     | INJECTION PUMP - CAB\ FROM ENGINE SERIAL NUMBER - ABE204011                     | EJ82Z011-1     |
| 01-0058     | SOLENOID - CAB\ FROM ENGINE SERIAL NUMBER - ABE204011                           | ZY58Z019-1     |
| 01-0059     | SEDIMENTER FILTER - CAB\ FROM ENGINE SERIAL NUMBER - ABE204011                  | Q390Z013-1     |
| 01-0060     | FUEL FILTER - CAB\ FROM ENGINE SERIAL NUMBER - ABE204011                        | V267Z060-1     |
| 01-0061     | ALTERNATOR AND STARTER - CAB\ FROM ENGINE SERIAL NUMBER - ABE204011             | 0168Z014-1     |

| Page Number | Page Title   | Page Reference |
|-------------|--|----------------|
| 01-0062     | GASKET SET S1 - CAB\ FROM ENGINE SERIAL NUMBER - ABE204011             | N736Z036-1     |
| 01-0063     | GASKET KIT S1+S2 - CAB\ FROM ENGINE SERIAL NUMBER - ABE204011          | Q792Z006-1     |
| 01-0064     | ENGINE REPAIR KIT - CAB\ FROM ENGINE SERIAL NUMBER - ABE204011         | Q472Z035-1     |
| 01-0065     | STARTER MOTOR  | EJ47Z036-1     |
| 01-0066     | ALTERNATOR   | EJ49Z026-1     |
| 01-0067     | ENGINE INSTALLATION - CAB\ FROM SERIAL NUMBER - AVTT2008VFM017116      | V183Z041-1     |
| 01-0068     | EXHAUST - FROM SERIAL NUMBER AVTT2008VFM017116                         | EA74Z050-1     |
| 01-0069     | AIR CLEANER - FROM SERIAL NUMBER AVTT2008VFM017116                     | HB32Z002-1     |
| 01-0070     | AIR CLEANER - FROM SERIAL NUMBER AVTT2008VFM017116                     | E060Z099-1     |
| 01-0071     | INTERCOOLER SYSTEM - FROM SERIAL NUMBER AVTT2008VFM017116              | V386Z008-1     |
| 01-0072     | COOLING SYSTEM - FROM SERIAL NUMBER AVTT2008VFM017116                  | EA43Z047-1     |
| 01-0073     | ENGINE INSTALLATION - PLATFORM\ FROM SERIAL NUMBER - AVTT2008VFM017116 | V183Z042-1     |
| 01-0074     | EXHAUST - FROM SERIAL NUMBER AVTT2008VFM017116                         | EA74Z051-1     |
| 01-0075     | FUEL TANK  | V280Z027-1     |
| 01-0076     | INSTALLATION FUEL TANK - FROM SERIAL NUMBER AVTT2008VFM017116          | 0181Z002-1     |
| 01-0077     | SIDE CONSOLE - FROM SERIAL NUMBER AVTT2008VFM017116                    | Q251Z011-1     |

**<https://www.ebooklibonline.com>**

Hello dear friend!

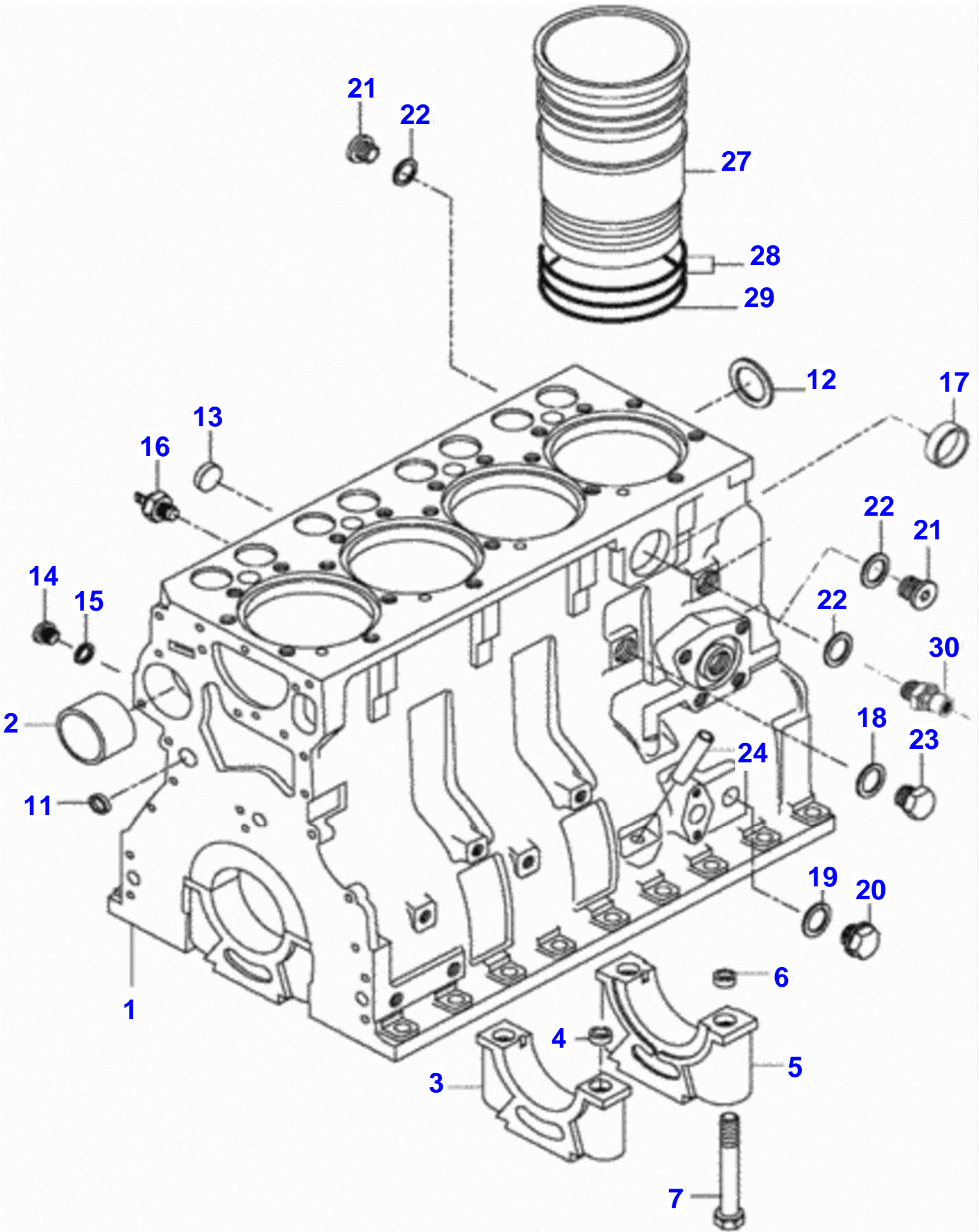
Thank you very much for reading.

Enter the link into your browser.

The full manual is available for immediate download.

**<https://www.ebooklibonline.com>**

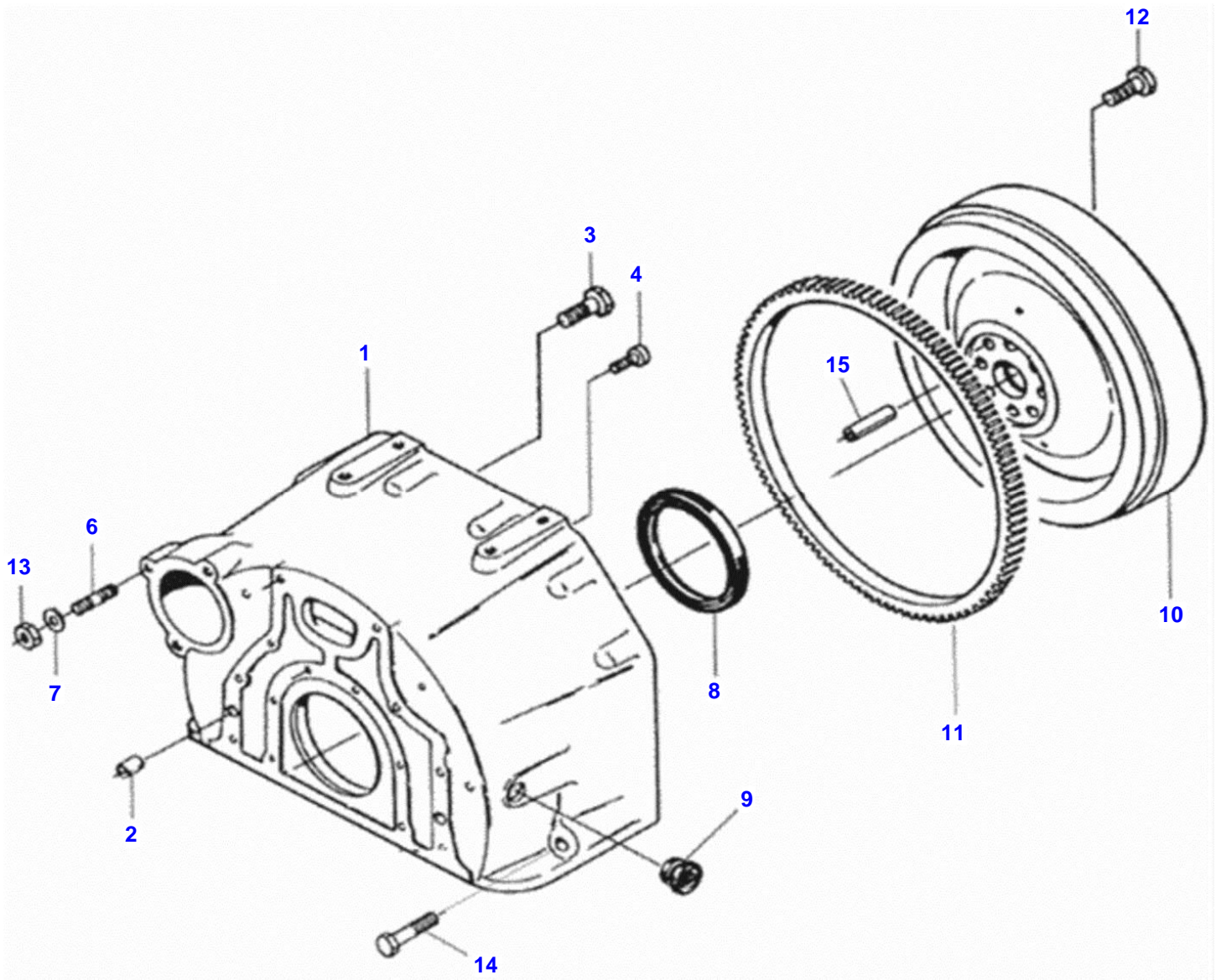
BM 125I TRACTOR  
00003333



| Item | Part Number | Qty | Description<br>Comments   | Technical Specification    |
|------|-------------|-----|---------------------------|----------------------------|
| 1    | V836766377  | 1   | CYLINDER BLOCK            |                            |
| 2    | V836866069  | 1   | CAMSHAFT BEARING BUSH     |                            |
| 3    |             | 4   | BEARING COVER<br>[A]      |                            |
| 4    | V836214478  | 8   | GUIDE SLEEVE              |                            |
| 5    |             | 1   | BEARING COVER<br>[A]      |                            |
| 6    | V836214478  | 2   | GUIDE SLEEVE              |                            |
| 7    | V529903180  | 10  | HEX CAP SCREW             |                            |
| 11   | V640016016  | 4   | PLUG                      |                            |
| 12   | V836529872  | 1   | PLUG                      |                            |
| 13   | V640016018  | 1   | PLUG                      |                            |
| 14   | VGR0261     | 1   | PLUG                      | M10 X 1 DIN910 5.8         |
| 15   | V615571014  | 1   | SEALING WASHER            |                            |
| 16   | V887283760  | 1   | PRESSURE SWITCH           |                            |
| 17   | V640016040  | 1   | PLUG                      |                            |
| 18   | VKH3617     | 1   | GASKET                    | A 18 X 22 X 1.5 DIN7603 CU |
| 19   | V615881216  | 1   | SEALING WASHER            |                            |
| 20   | V640305012  | 5   | PLUG                      |                            |
| 21   | V640325018  | 1   | PLUG                      |                            |
| 22   | VKH4946     | 2   | O-RING                    | 14.3 X 2.4 70SH SMS1586    |
| 23   | V836019756  | 1   | PLUG                      |                            |
| 24   | V836014334  | 1   | OIL DIPSTICK GUIDE PIPE   |                            |
| 27   | V836647420  | 4   | LINER<br>Std - flange 9,0 |                            |
|      | V836647934  | 4   | LINER<br>flange 9,13mm    |                            |
|      | V836647933  | 4   | LINER<br>flange 9,08 mm   |                            |
|      | V836647935  | 4   | LINER<br>flange 9,23 mm   |                            |
| 28   | V836647502  | 8   | CYLINDER LINER O-RING     |                            |
| 29   | V836647503  | 4   | CYLINDER LINER O-RING     |                            |
| 30   | V836119837  | 1   | HOSE COUPLER              |                            |

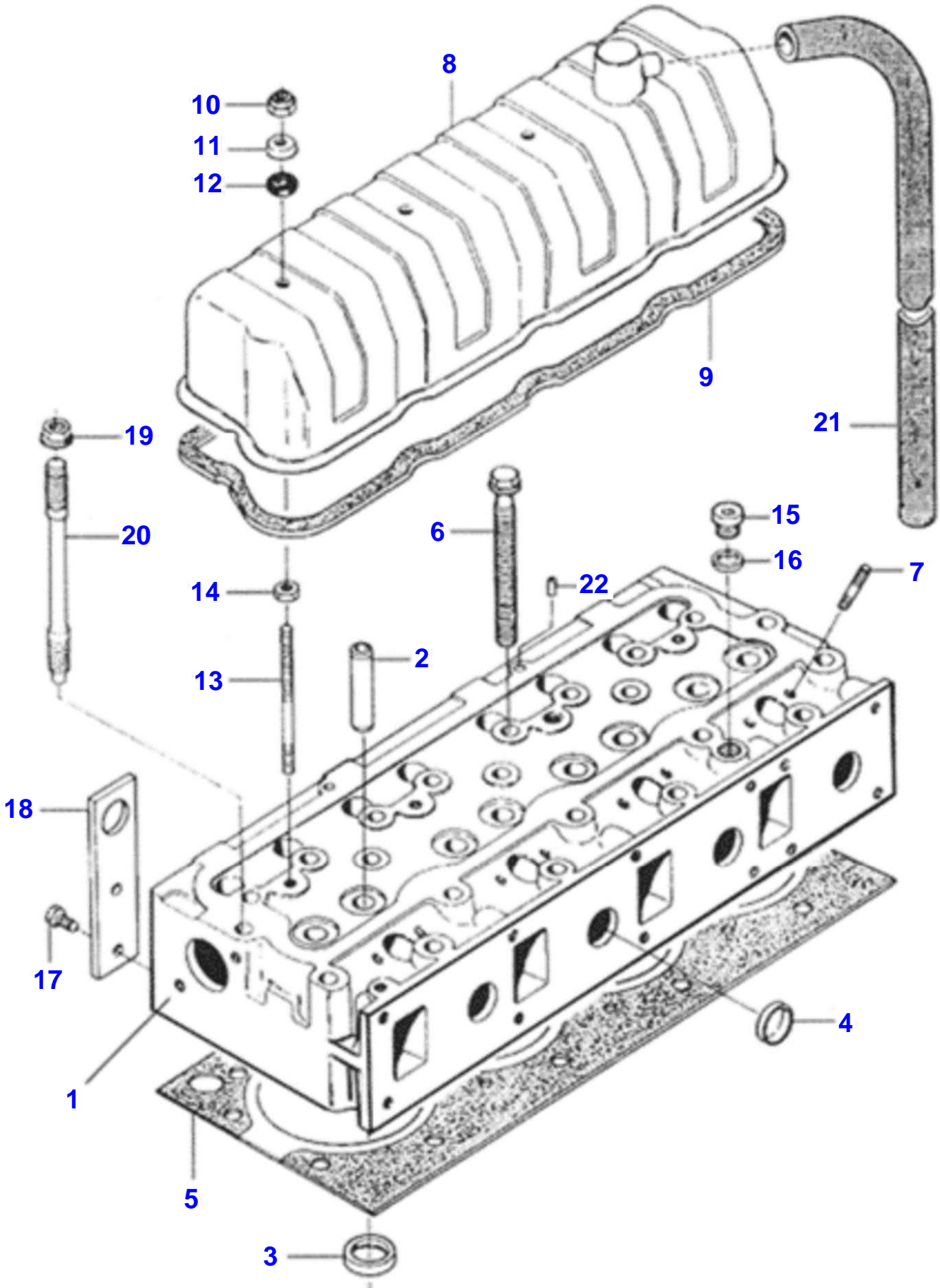
**[A] DELIVERED ONLY COMPLETE WITH BLOCK**

BM 125I TRACTOR  
0000561



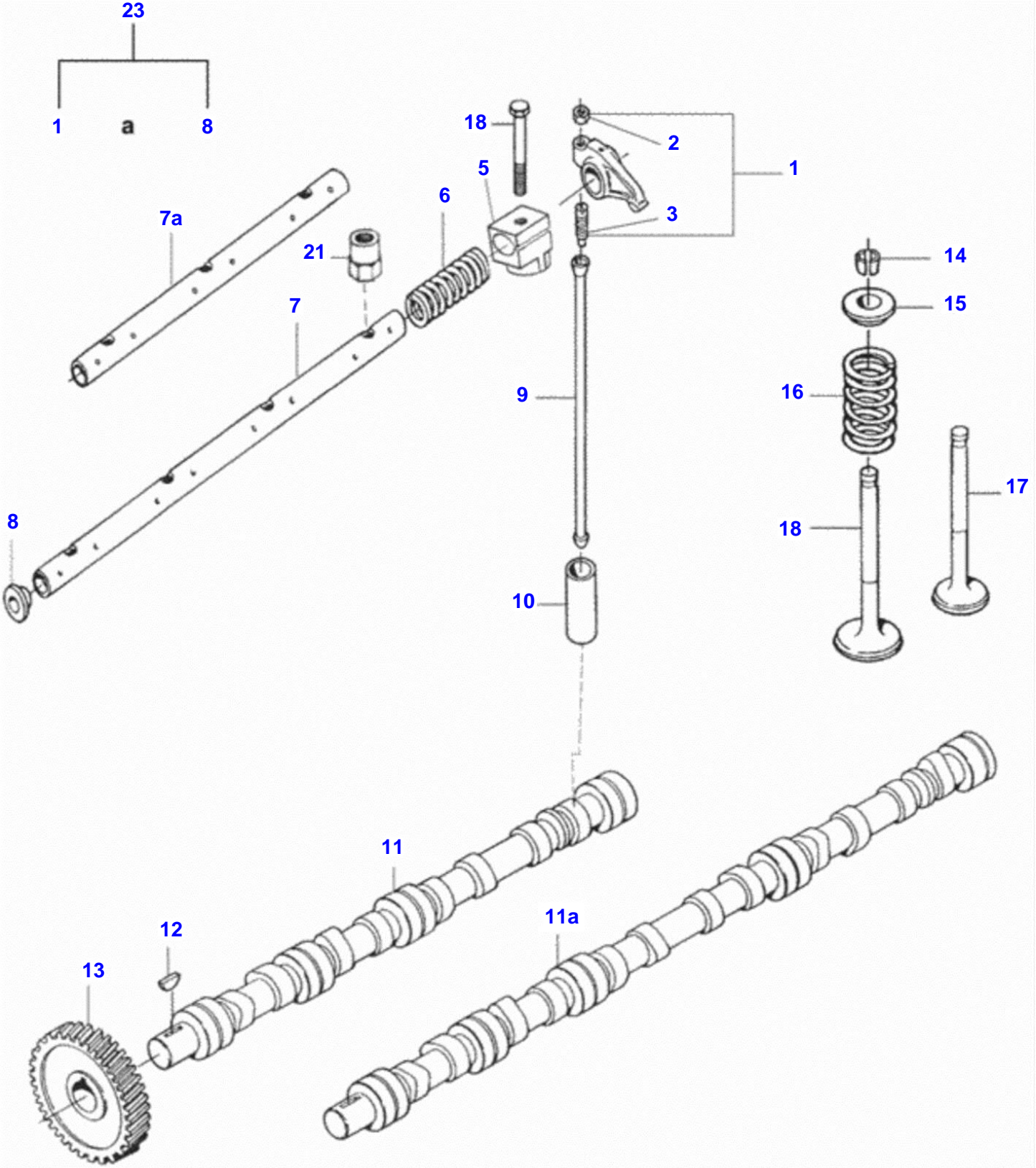
| Item | Part Number | Qty | Description<br>Comments | Technical Specification |
|------|-------------|-----|-------------------------|-------------------------|
| 1    | V836647439  | 1   | FLYWHEEL HOUSING        |                         |
| 2    | V598359850  | 2   | PIN                     |                         |
| 3    | V52890220   | 15  | SCREW                   |                         |
| 4    | V581705030  | 6   | HEX SOCKET SCREW        |                         |
| 6    | V546801800  | 1   | STUD BOLT               |                         |
| 7    | V500951000  | 3   | SPRING WASHER           |                         |
| 8    | V837074841  | 1   | CRANKSHAFT SEAL         |                         |
| 9    | V836007572  | 1   | RUBBER PLUG             |                         |
| 10   | V82609500   | 1   | FLYWHEEL                | Z=133                   |
| 11   | V835328783  | 1   | STARTER RING            |                         |
| 12   | V528902230  | 8   | HEX CAP SCREW           |                         |
| 13   | V504601000  | 3   | NUT                     |                         |
| 14   | VHC8519     | 2   | HEX SOCKET SCREW        | M12 X 140 DIN912 8.8    |
| 15   | V595955060  | 1   | PIN                     |                         |

BM 125I TRACTOR  
0000825



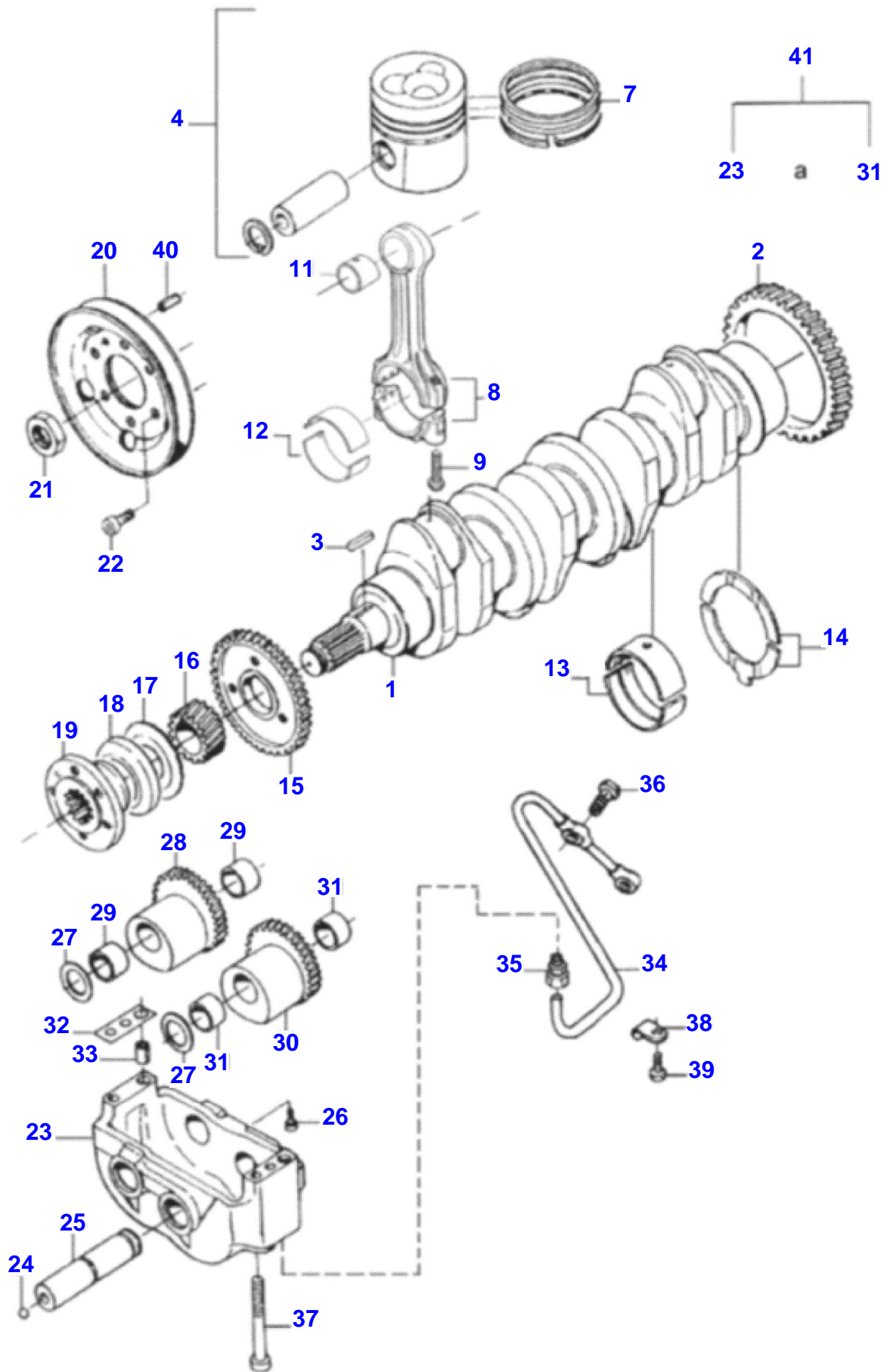
| Item | Part Number | Qty | Description<br>Comments   | Technical Specification |
|------|-------------|-----|---|-------------------------|
| 1    | V836755385  | 1   | CYLINDER HEAD   |                         |
| 2    | V836673175  | 8   | VALVE GUIDE   |                         |
| 3    | V836647936  | 4   | VALVE SEAT  |                         |
|      | V836647600  | 4   | VALVE SEAT  |                         |
| 4    | V836647942  | 7   | PLUG  |                         |
| 5    | V836766301  | 1   | CYLINDER HEAD GASKET  |                         |
| 6    | V836646383  | 20  | SCREW   |                         |
| 7    | V546901435  | 8   | STUD BOLT   |                         |
| 8    | V836746361  | 1   | VALVE ROCKER COVER<br>UP TO SERIAL OR ENGINE NUMBER<br>EY82683        |                         |
|      | V837070461  |     | VALVE ROCKER COVER<br>FROM SERIAL OR ENGINE NUMBER<br>EY82683         |                         |
| 9    | V836746362  | 1   | VALVE ROCKER COVER GASKET<br>UP TO SERIAL OR ENGINE NUMBER<br>EY82683 |                         |
|      | V836767244  |     | VALVE ROCKER COVER GASKET<br>FROM SERIAL OR ENGINE NUMBER<br>EY82683  |                         |
| 10   | VJB8905     | 4   | LOCKNUT   | M10 SFS_EN_ISO_10511    |
| 11   | V836119855  | 4   | WASHER  |                         |
| 12   | V836012841  | 4   | RUBBER BUSH   |                         |
| 13   | V546801900  | 4   | STUD BOLT   |                         |
| 14   | VJB1110     | 4   | NUT   | M10                     |
| 15   | V640325018  | 1   | PLUG  |                         |
| 16   | V615881822  | 1   | SEALING WASHER  |                         |
| 17   | V528801380  | 4   | HEX CAP SCREW   |                         |
| 18   | V836855349  | 2   | LIFT EYE  |                         |
| 19   | V836859110  | 2   | NUT   |                         |
| 20   | V836859109  | 2   | STUD BOLT   |                         |
| 21   | V836755007  | 1   | RUBBER HOSE   |                         |
| 22   | V595953360  | 2   | PIN   |                         |

BM 125I TRACTOR  
0000285



| Item | Part Number | Qty | Description<br>Comments       |
|------|-------------|-----|-------------------------------|
| 1    | V836667042  | 8   | ROCKER ARM                    |
| 2    | V512861000  | 8   | NUT                           |
| 3    | V837069023  | 8   | VALVE ROCKER ADJUSTMENT SCREW |
| 5    | V836666609  | 4   | BRACKET                       |
| 6    | V836655884  | 3   | SPRING                        |
| 7    | V836755871  | 1   | SHAFT                         |
| 8    | V837069020  | 2   | PLUG                          |
| 9    | V836655867  | 8   | PUSH ROD                      |
| 10   | V836014264  | 8   | TAPPET                        |
| 11   | V836746375  | 1   | CAMSHAFT                      |
| 12   | V603305760  | 1   | WOODRUFF KEY                  |
| 13   | V836646389  | 1   | GEAR,CAMSHAFT                 |
| 14   | V836646382  | 16  | COTTER                        |
| 15   | V836646381  | 8   | WASHER                        |
| 16   | V836646380  | 8   | SPRING                        |
| 17   | V836646357  | 4   | EXHAUST VALVE                 |
| 18   | V836646356  | 4   | INTAKE VALVE                  |
| 21   | V836655406  | 4   | NUT                           |
| 23   | V836767044  | 1   | ROCKER SHAFT ASM              |

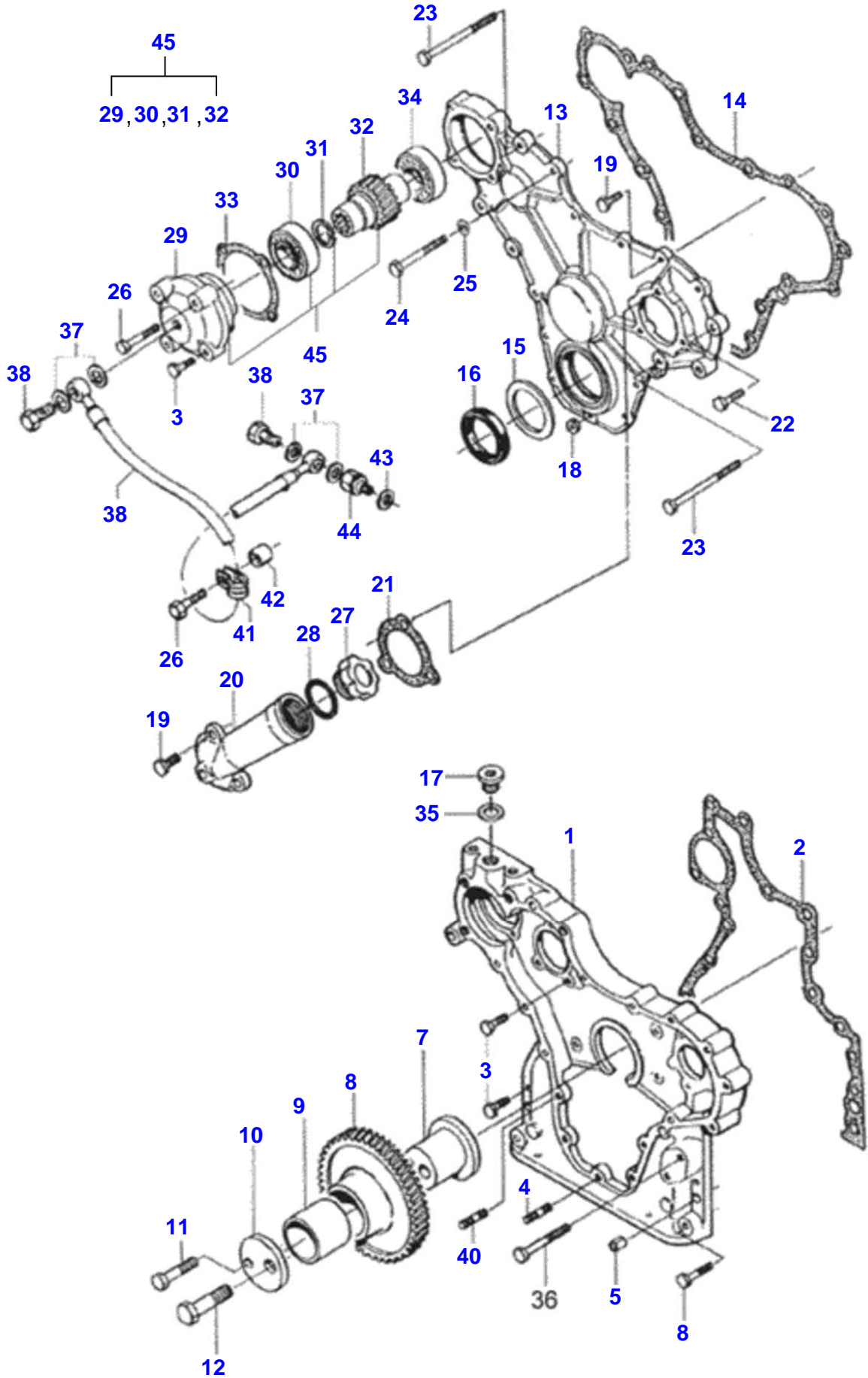
BM 125I TRACTOR  
00002323



| Item | Part Number | Qty | Description<br>Comments       | Technical Specification |
|------|-------------|-----|-------------------------------|-------------------------|
| 1    | V836747324  | 1   | CRANKSHAFT                    |                         |
| 2    | V836124524  | 1   | GEAR                          |                         |
| 3    | V603345110  | 1   | KEY                           |                         |
| 4    | V836640073  | 4   | PISTON                        |                         |
| 7    | V836640078  | 4   | PISTON RING KIT               |                         |
| 8    | V82659800   | 1   | CONNECTING ROD KIT            |                         |
| 9    | V836864141  | 8   | CONNECTING ROD BOLT           |                         |
| 11   | V836646271  | 4   | BEARING BUSH                  |                         |
| 12   | V836112765  | 4   | BEARING SHELL<br>1,00mm       |                         |
|      | V836112763  | 4   | BEARING SHELL<br>0,50mm       |                         |
|      | V836112762  | 4   | BEARING SHELL<br>0,25mm       |                         |
|      | V836110552  | 8   | BEARING SHELL<br>[A]          |                         |
|      | V836112767  | 4   | BEARING SHELL<br>1,50mm       |                         |
| 13   | V836655538  | 5   | MAIN BEARING<br>1,00mm        |                         |
|      | V836655537  | 5   | MAIN BEARING<br>0,50mm        |                         |
|      | V836655536  | 5   | MAIN BEARING<br>0,25mm        |                         |
|      | V836655514  | 5   | MAIN BEARING<br>[A]           |                         |
|      | V836655539  | 5   | MAIN BEARING<br>1,50mm        |                         |
| 14   | V836119459  | 2   | THRUST WASHER<br>Standard     |                         |
|      | V836120332  | 2   | THRUST WASHER                 |                         |
|      | V836120333  | 2   | THRUST WASHER                 |                         |
| 15   | V836119550  | 1   | GEAR, CRANKSHAFT              |                         |
| 16   | V836122840  | 1   | GEAR, CRANKSHAFT              |                         |
| 17   | V836129781  | 1   | RING                          |                         |
| 18   | V836136271  | 1   | SHIELD                        |                         |
| 19   | V836846463  | 1   | CRANKSHAFT HUB                |                         |
| 20   | V836655449  | 1   | CRANKSHAFT V-BELT PULLEY      |                         |
| 21   | V836647310  | 1   | CRANKSHAFT NUT                |                         |
| 22   | V581804580  | 6   | HEX SOCKET SCREW              |                         |
| 23   | V836747348  | 1   | HOUSING                       |                         |
| 24   | V616810103  | 2   | BALL                          |                         |
| 25   | V836146879  | 2   | SHAFT                         |                         |
| 26   | V581804200  | 2   | HEX SOCKET SCREW              |                         |
| 27   | V836146880  | 4   | THRUST WASHER                 |                         |
| 28   | V836146877  | 1   | GEAR<br>Ref. 29               |                         |
| 29   | V836146876  | 2   | BEARING BUSH                  |                         |
| 30   | V836146878  | 1   | GEAR<br>Ref. 31               |                         |
| 31   | V836146876  | 2   | BEARING BUSH                  |                         |
| 32   | V836119920  | X   | SHIM                          |                         |
| 33   | V598359850  | 2   | PIN                           |                         |
| 34   | V836747298  | 1   | OIL PIPE                      |                         |
| 35   | V641016008  | 1   | STRAIGHT FITTING              |                         |
| 36   | V640435008  | 2   | BANJO BOLT                    |                         |
| 37   | V581805170  | 4   | HEX SOCKET SCREW              |                         |
| 38   | V602071608  | 1   | HOSE CLIP                     |                         |
| 39   | VHA6313     | 1   | SCREW                         | M6 X 16 ISO 8.8         |
| 40   | V595953360  | 1   | PIN                           |                         |
| 41   | V836766123  | 1   | COUNTERWEIGHT<br>Ref. 23 a 31 |                         |

[A] STANDARD

BM 125I TRACTOR  
00000125

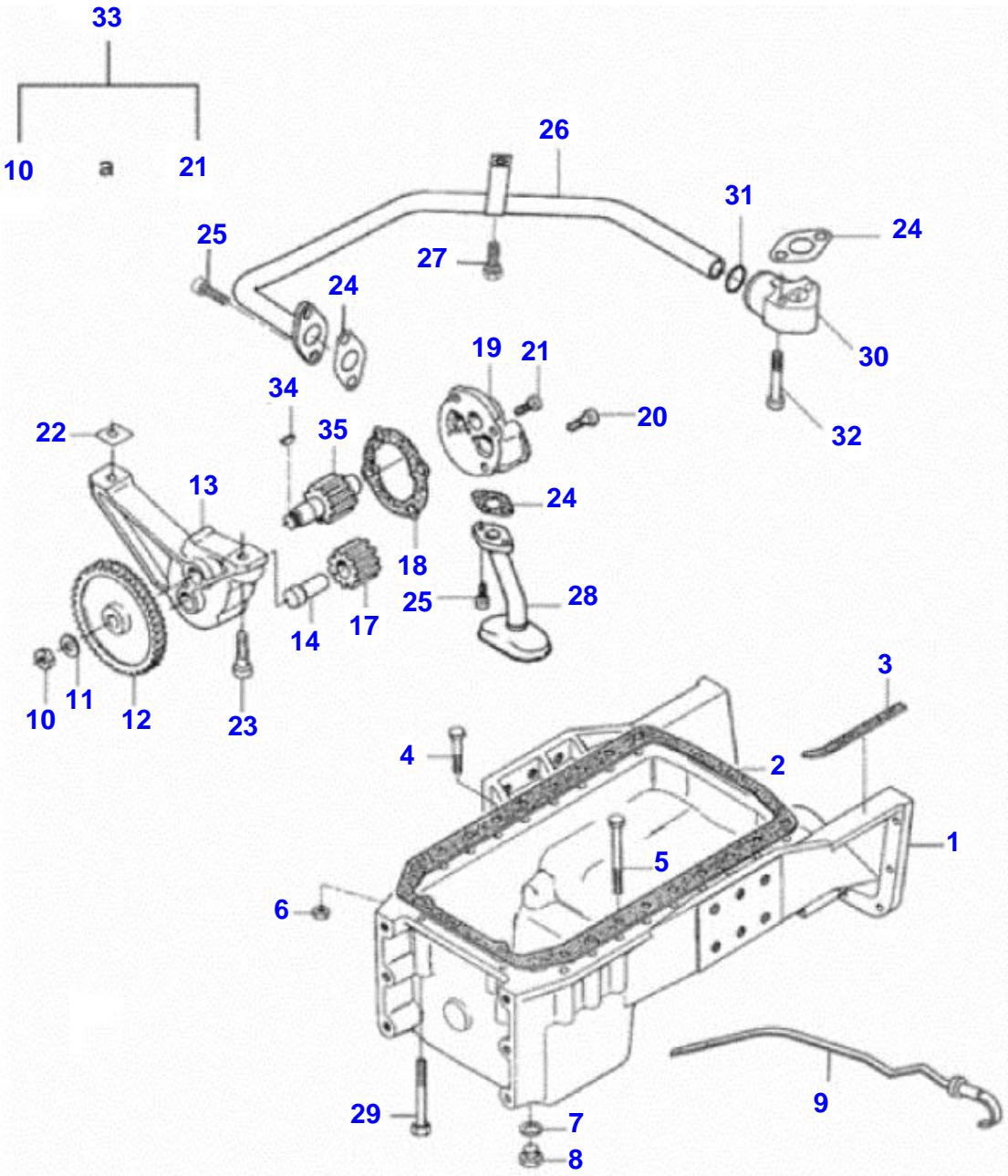


| Item | Part Number | Qty | Description<br>Comments    | Technical Specification     |
|------|-------------|-----|----------------------------|-----------------------------|
| 1    | V836652221  | 1   | TIMING GEAR CASE           |                             |
| 2    | V836647419  | 1   | GASKET                     |                             |
| 3    | VHA6324     | 10  | SCREW                      | M8 X 25 ISO 8.8             |
| 4    | V546801380  | 5   | STUD BOLT                  |                             |
| 5    | VJE8802     | 4   | PIN                        |                             |
| 6    | V529801440  | 2   | HEX CAP SCREW              |                             |
| 7    | V836138356  | 1   | SHAFT                      |                             |
| 8    | V836138354  | 1   | IDLER GEAR                 |                             |
| 9    | V836139039  | 1   | BUSH                       |                             |
| 10   | V836129845  | 1   | FLANGE                     |                             |
| 11   | V529801910  | 1   | HEX CAP SCREW              |                             |
| 12   | V529902720  | 1   | HEX CAP SCREW              |                             |
| 13   | V836647575  | 1   | GEAR HOUSING FRONT COVER   |                             |
| 14   | V835336796  | 1   | GASKET                     |                             |
| 15   | V836129782  | 1   | COVER                      |                             |
| 16   | V614105880  | 1   | OIL SEAL                   |                             |
| 17   | V640325018  | 1   | PLUG                       |                             |
| 18   | VJB1108     | 5   | NUT                        | M8                          |
| 19   | V528801380  | 5   | HEX CAP SCREW              |                             |
| 20   | V836746921  | 1   | PIPE                       |                             |
| 21   | V836129946  | 1   | GASKET                     |                             |
| 22   | VHA9230     | 3   | SCREW                      | M8 X 35 SFS_EN_ISO_4017 8.8 |
| 23   | V529801500  | 2   | HEX CAP SCREW              |                             |
| 24   | VHA8328     | 3   | SCREW                      | M8 X 60 SFS_EN_ISO_4014 8.8 |
| 25   | V836120989  | 1   | WASHER                     |                             |
| 26   | V529801460  | 3   | HEX CAP SCREW              |                             |
| 27   | V836338733  | 1   | OIL FILLER CAP             |                             |
| 28   | V614604740  | 1   | O-RING                     |                             |
| 29   | V836655230  | 1   | BEARING HOUSING            |                             |
| 30   | VLA1014     | 1   | BALL BEARING               | ?45-75 X 16 MM              |
| 31   | VKG3031     | 1   | RETAINING RING             | 31X1.2 DIN472               |
| 32   | V836674533  | 1   | GEAR                       |                             |
| 33   | V835336793  | 1   | GASKET                     |                             |
| 34   | VLA1014     | 1   | BALL BEARING               | ?45-75 X 16 MM              |
| 35   | V615881822  | 1   | SEALING WASHER             |                             |
| 36   | VHA8327     | 1   | SCREW                      | M8 X 50 SFS_EN_ISO_4014 8.8 |
| 37   | V615870610  | 4   | SEALING WASHER             |                             |
| 38   | V82619400   | 2   | BANJO BOLT                 |                             |
| 39   | V82607600   | 1   | HOSE                       |                             |
| 40   | V546801410  | 1   | STUD BOLT                  |                             |
| 41   | V602060612  | 1   | RETAINER CLAMP             |                             |
| 42   | V836119296  | 1   | SPACER PIECE               |                             |
| 43   | V615571014  | 1   | SEALING WASHER             |                             |
| 44   | V836655233  | 1   | UNION                      |                             |
| 45   | V836647725  | 1   | HOUSING<br>Ref. 29, 30, 31 |                             |



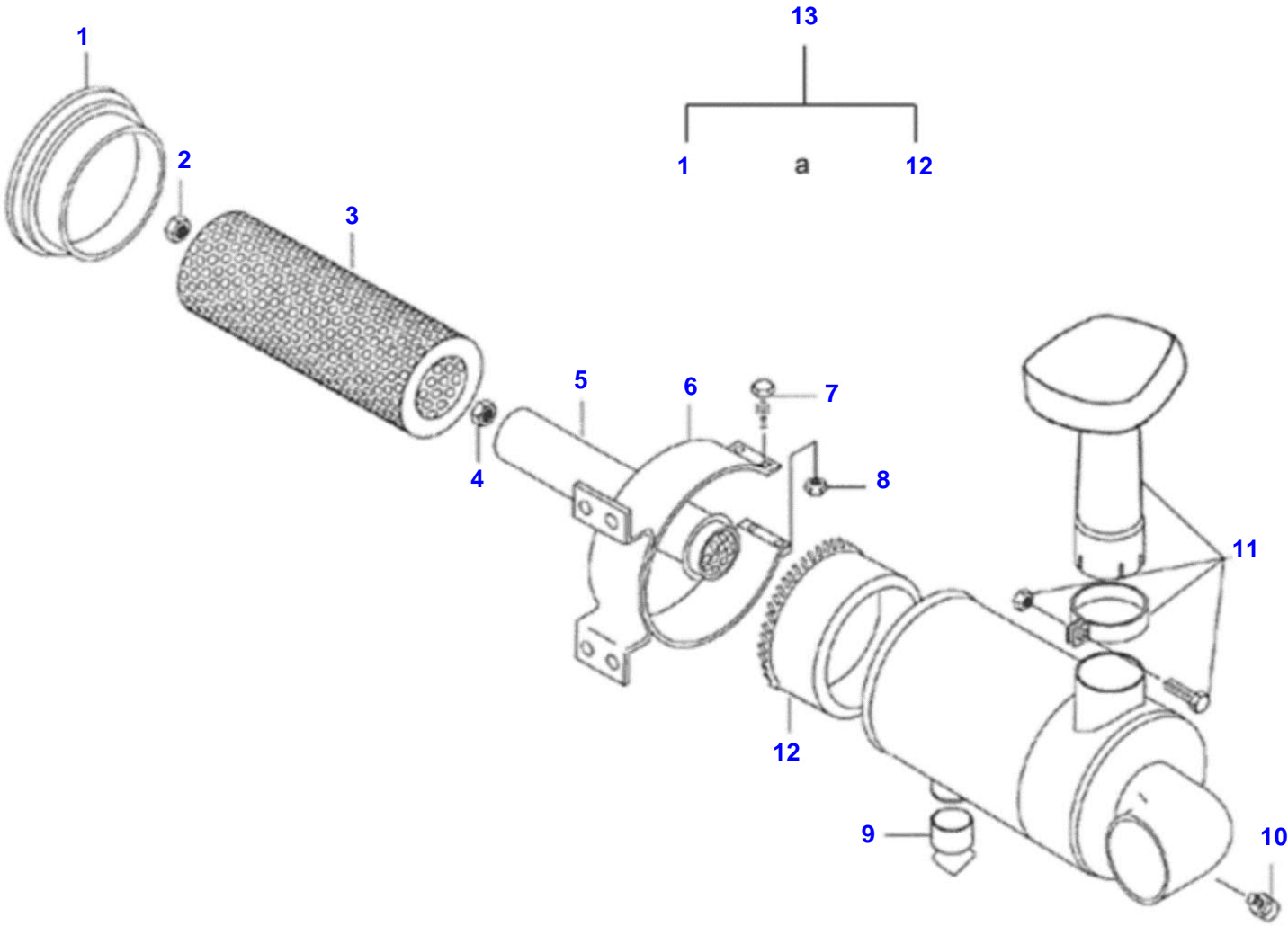
| Item | Part Number | Qty | Description<br>Comments | Technical Specification     |
|------|-------------|-----|-------------------------|-----------------------------|
| 1    | V836647133  | 1   | ENGINE OIL FILTER       |                             |
| 2    | V836129315  | 1   | OIL COOLER              |                             |
| 3    | V835331586  | 1   | SEALING WASHER<br>(2)   |                             |
| 4    | V836131366  | 1   | PLUG                    |                             |
| 5    | V836647405  | 1   | UNION                   |                             |
| 6    | VGP3910     | 4   | HOSE CLIP               | 20 SMS2298                  |
| 7    | V836747124  | 4   | RUBBER ELBOW            |                             |
| 8    | VKH3617     | 1   | GASKET                  | A 18 X 22 X 1.5 DIN7603 CU  |
| 9    | V89740600   | 1   | HOSE                    |                             |
| 10   | V836747848  | 1   | PIPE                    |                             |
| 11   | V641086015  | 1   | STRAIGHT FITTING        |                             |
| 12   | V836847930  | 1   | BRACKET                 |                             |
| 13   | VJB1108     | 1   | NUT                     | M8                          |
| 14   | V602074615  | 1   | HOSE CLIP               |                             |
| 15   | VHA6323     | 1   | SCREW                   | M8 X 20 CL8.8               |
| 16   | V836322190  | 1   | GASKET                  |                             |
| 17   | V836864056  | 1   | END                     |                             |
| 18   | V836129849  | 1   | COVER                   |                             |
| 19   | VHA9230     | 2   | SCREW                   | M8 X 35 SFS_EN_ISO_4017 8.8 |
| 20   | V836659521  | 1   | VALVE SEAT              |                             |
| 21   | V836659522  | 1   | VALVE CONE              |                             |

BM 125I TRACTOR  
00000829

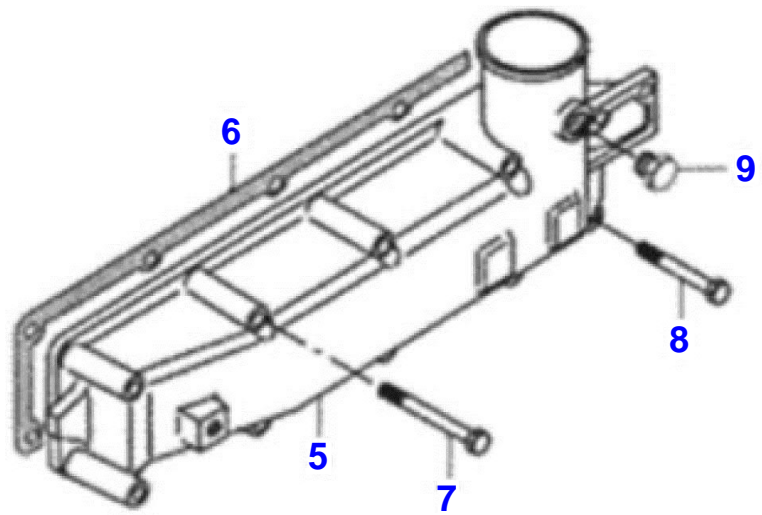
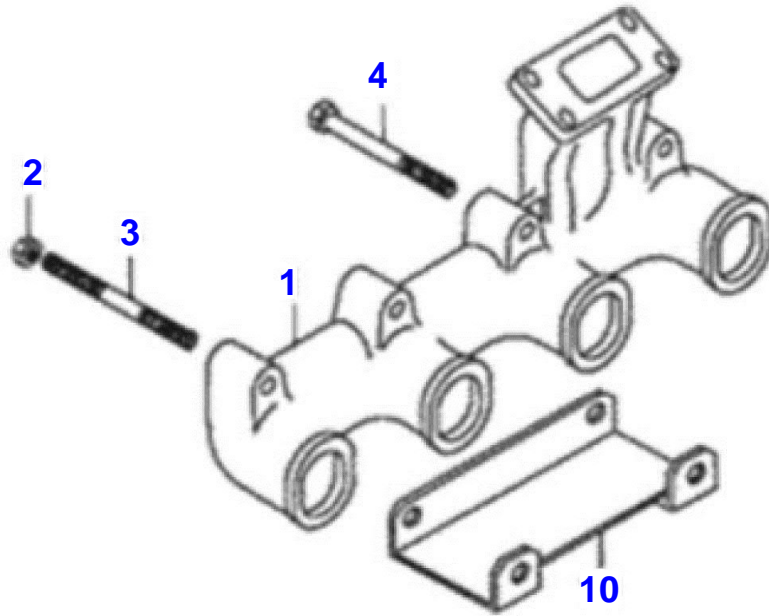


| Item | Part Number | Qty | Description<br>Comments | Technical Specification      |
|------|-------------|-----|-------------------------|------------------------------|
| 1    | V836752609  | 1   | HOUSING                 |                              |
| 2    | V89743700   | 1   | GASKET                  |                              |
| 3    | V836129727  | 2   | GASKET                  |                              |
| 4    | VHA8347     | 10  | SCREW                   | M12 X 60 SFS_EN_ISO_4014 8.8 |
| 5    | VHA8352     | 6   | HEX CAP SCREW           |                              |
| 6    | VJB1112     | 16  | NUT                     | M12                          |
| 7    | VKH3610     | 1   | GASKET                  | 24 X 29 X 2 A DIN 7603 CU    |
| 8    | VGR0225     | 1   | PLUG                    | M24 X 1.5 DIN910 5.8         |
| 9    | V836747067  | 1   | DIPSTICK                |                              |
| 10   | V504861000  | 1   | NUT                     |                              |
| 11   | V836122910  | 1   | WASHER                  |                              |
| 12   | V836338667  | 1   | GEAR                    |                              |
| 13   | V836120195  | 1   | HOUSING                 |                              |
| 14   | V836120191  | 1   | OIL PUMP SHAFT          |                              |
| 15   | V603305530  | 1   | KEY                     |                              |
| 16   | V836652600  | 1   | OIL PUMP SHAFT          |                              |
| 17   | V836120193  | 1   | GEAR                    |                              |
| 18   | V836119796  | 1   | GASKET                  |                              |
| 19   | V836129412  | 1   | COVER                   |                              |
| 20   | V529801440  | 2   | HEX CAP SCREW           |                              |
| 21   | V528801380  | 2   | HEX CAP SCREW           |                              |
| 22   | V836007871  | X   | SHIM                    |                              |
| 23   | VHC8338     | 2   | HEX SOCKET SCREW        | M10 X 40 CL8.8 ZN            |
| 24   | V836008449  | 3   | GASKET                  |                              |
| 25   | VHC9326     | 6   | HEX SOCKET SCREW        | M8 X 20 SFS_EN_ISO_4762 8.8  |
| 26   | V836766983  | 1   | OIL PIPE                |                              |
| 27   | V528801760  | 1   | HEX CAP SCREW           |                              |
| 28   | V836138033  | 1   | AIR PIPE                |                              |
| 29   | V581804800  | 2   | HEX SOCKET SCREW        |                              |
| 30   | V836766984  | 1   | CONNECTOR               |                              |
| 31   | V614701830  | 1   | O-RING                  |                              |
| 32   | V581804680  | 2   | HEX SOCKET SCREW        |                              |
| 33   | V836652605  | 1   | LUBRICATING OIL PUMP    |                              |

BM 125I TRACTOR  
00000305



| Item | Part Number | Qty | Description<br>Comments                       | Technical Specification |
|------|-------------|-----|---|-------------------------|
| 1    | V80306100   | 1   | BOTTOM  |                         |
| 2    | V80060900   | 1   | NUT   |                         |
| 3    | V80270500   | 1   | ELEMENT<br>[A]                                | MAIN                    |
| 4    | V80061000   | 1   | NUT   |                         |
| 5    | V80270400   | 1   | SECONDARY AIR FILTER ELEMENT<br>[B]           | SAFETY                  |
| 6    | V80270300   | 1   | CLAMP   |                         |
| 7    | V80304000   | 2   | BOLT  |                         |
| 8    | V80304100   | 2   | NUT   |                         |
| 9    | V80306200   | 1   | VALVE   |                         |
| 10   | V33389600   | 1   | SENSOR  | 6.5 KPA                 |
| 11   | V83634500   | 1   | PROTECTION                                    |                         |
| 12   | V81003700   | 1   | HOUSING                                       |                         |
| 13   | V83634600   | 1   | AIR FILTER ASSEMBLY<br>[A] OUTER<br>[B] INNER |                         |



| Item | Part Number | Qty | Description<br>Comments | Technical Specification        |
|------|-------------|-----|-------------------------|--------------------------------|
| 1    | V836747524  | 1   | EXHAUST MANIFOLD        |                                |
| 2    | VJB1110     | 3   | NUT                     | M10                            |
| 3    | V546801960  | 3   | STUD BOLT               |                                |
| 4    | VHA8340     | 6   | SCREW                   | M10 X 100 SFS_EN_ISO_4014 M8.8 |
| 5    | V836747044  | 1   | MANIFOLD                |                                |
| 6    | V836747595  | 1   | INTAKE MANIFOLD GASKET  |                                |
| 7    | VHA8329     | 8   | SCREW                   | M8 X 70 SFS_EN_ISO_4014 8.8    |
| 8    | V529801470  | 1   | HEX CAP SCREW           |                                |
| 9    | V836114958  | 1   | PLUG                    |                                |
| 10   | V836647945  | 1   | SUPPORT                 |                                |



**Suggest:**

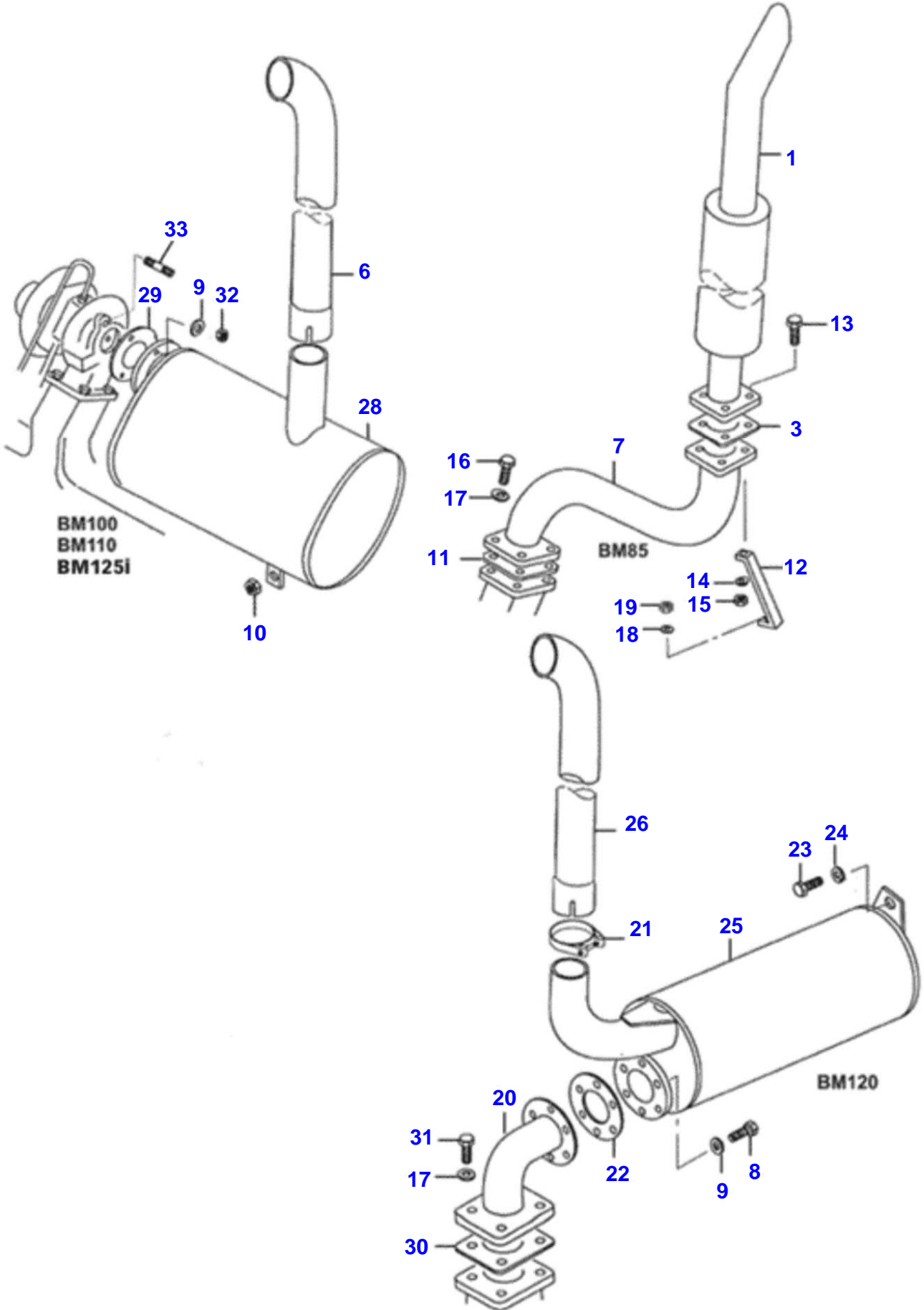
**For more complete manuals. Please go to the home page.**

**<https://www.ebooklibonline.com>**

**If the above button click is invalid. Please download this document first, and then click the above link to download the complete manual.**

**Thank you so much for reading**

BM 125I TRACTOR  
00000130



| Item | Part Number | Qty | Description<br>Comments | Technical Specification |
|------|-------------|-----|-------------------------|-------------------------|
| 6    | V82012620   | 1   | TAIL PIPE               |                         |
| 9    | VJD3108     | 3   | WASHER                  | 2 DIN127                |
| 10   | V513601002  | 1   | NUT                     |                         |
| 28   | V32059420   | 1   | MUFFLER                 |                         |
| 29   | V32589800   | 1   | GASKET                  |                         |
| 32   | VJB1108     | 3   | NUT                     | M8                      |
| 33   | V546801380  | 3   | STUD BOLT               |                         |

**<https://www.ebooklibonline.com>**

Hello dear friend!

Thank you very much for reading.

Enter the link into your browser.

The full manual is available for immediate download.

**<https://www.ebooklibonline.com>**