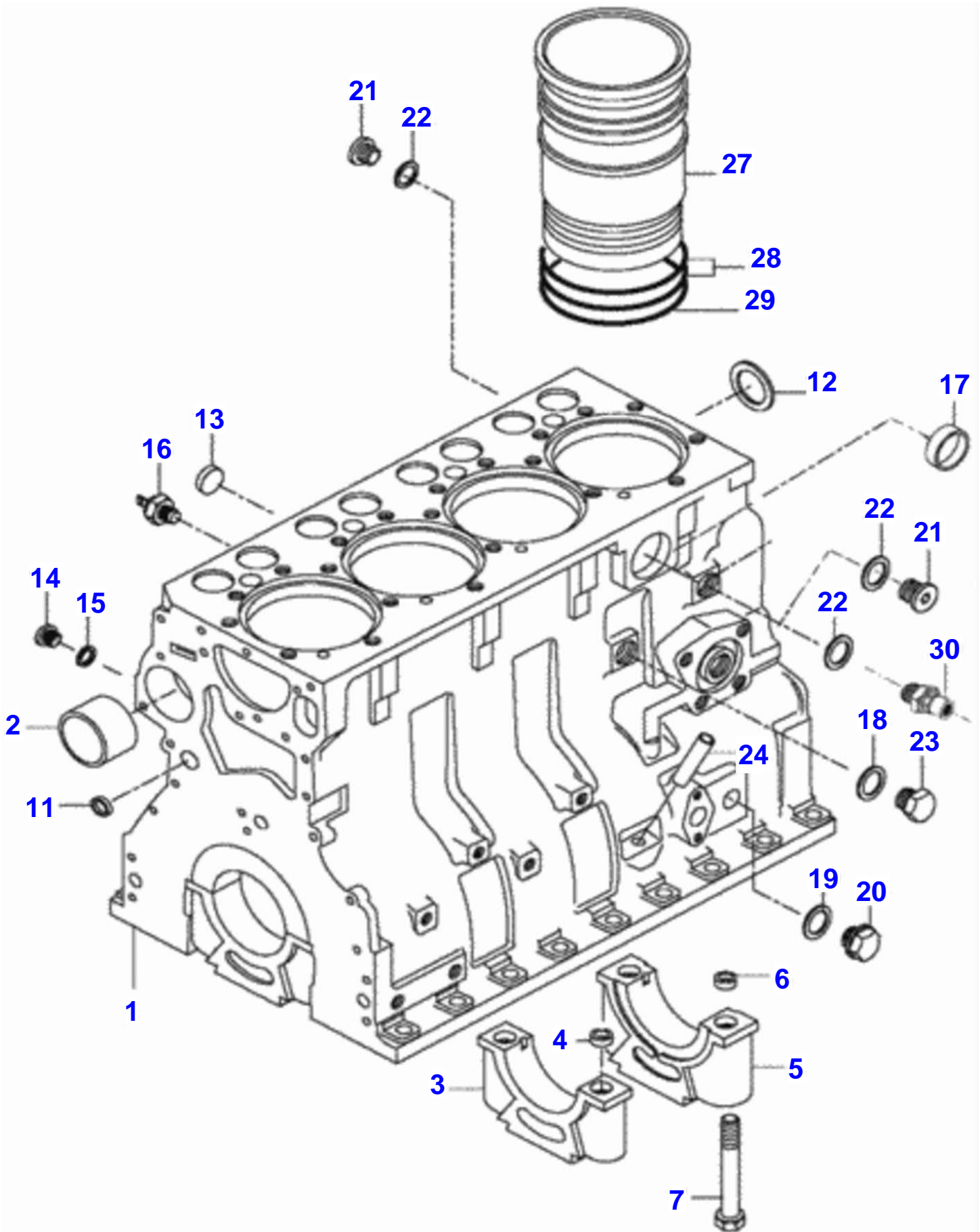


Page Title	Page Number
Cylinder Block	020-0010
Flywheel And Gear Rim	020-0015
Cylinder Head	020-0020
Valve Mechanism	020-0025
Crankshaft Mechanism	020-0030
Gear Housing	020-0035
Engine Oil Cooler	020-0040
Sump	020-0045
Air Filter	020-0050
Inlet And Exhaust Manifold	020-0055
Muffler	020-0060
Turbocharger	020-0065
Instalation Air Filter	020-0070
Intercooler System	020-0075
Sedimentation Filter	020-0080
Feed Pump And Fuel Filter	020-0085
Injection Pump	020-0090
Throttle System	020-0095
Radiator	020-0100
Water Pump And Fan	020-0105
Gasket Set S1	020-0110
Gasket Kit S1 + S2	020-0115
Repair Kit	020-0120

BM 125i TRACTOR (BR) - C012502  
00003333



## Cylinder Block

Item	Part Number	Qty	Description	Comments
1	V836766377	1	Assy	
2	V836866069	1	Bush	
3		4	Bearing Cover	[A]
4	V836214478	8	Guide Bushing	
5		1	Bearing Cover	[A]
6	V836214478	2	Guide Bushing	
7	V529903180	10	Screw	
11	V640016016	4	Plug	
12	V836529872	1	Pad	
13	V640016018	1	Plug	
14	VGR0261	1	Plug	
15	V615571014	1	Washer	
16	V887283760	1	Pressure Sensor	
17	V640016040	1	Plug	
18	VKH3617	1	Collet	
19	V615881216	1	Collet	
20	V640305012	5	Plug	
21	V640325018	1	Plug	
22	VKH4946	2	Collet	
23	V836019756	1	Plug	
24	V836014334	1	Pipe	
27	V836647420	4	Cylinder Liner	Std - flange 9,0
	V836647934	4	Liner	flange 9,13mm
	V836647933	4	Liner	flange 9,08 mm
	V836647935	4	Liner	flange 9,23 mm
28	V836647502	8	Collet	
29	V836647503	4	Collet	
30	V836119837	1	Connection	

FOOTNOTE [A] DELIVERED ONLY COMPLETE WITH BLOCK

**<https://www.ebooklibonline.com>**

Hello dear friend!

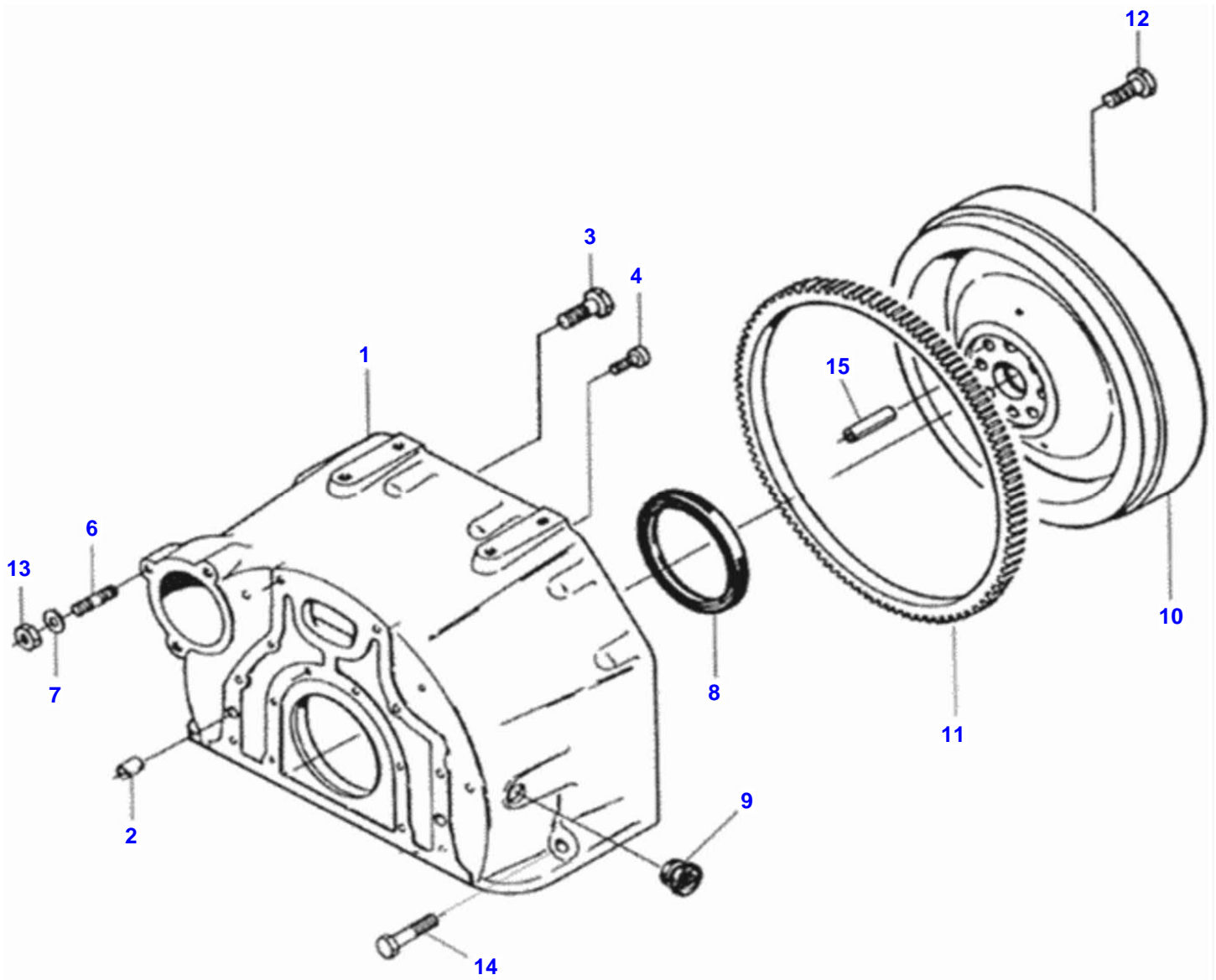
Thank you very much for reading.

Enter the link into your browser.

The full manual is available for immediate download.

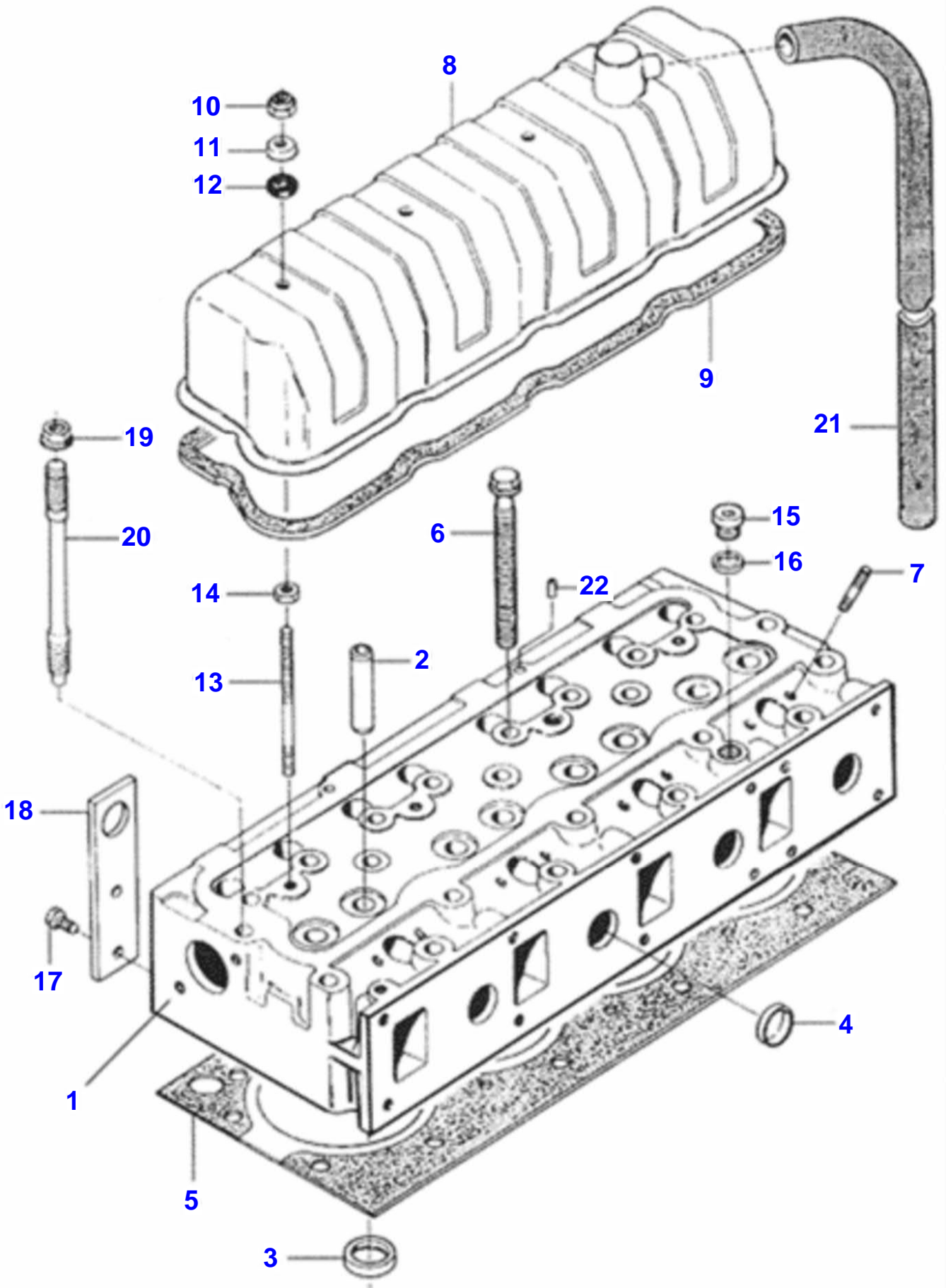
**<https://www.ebooklibonline.com>**

BM 125i TRACTOR (BR) - C012502  
0000561



**Flywheel And Gear Rim**

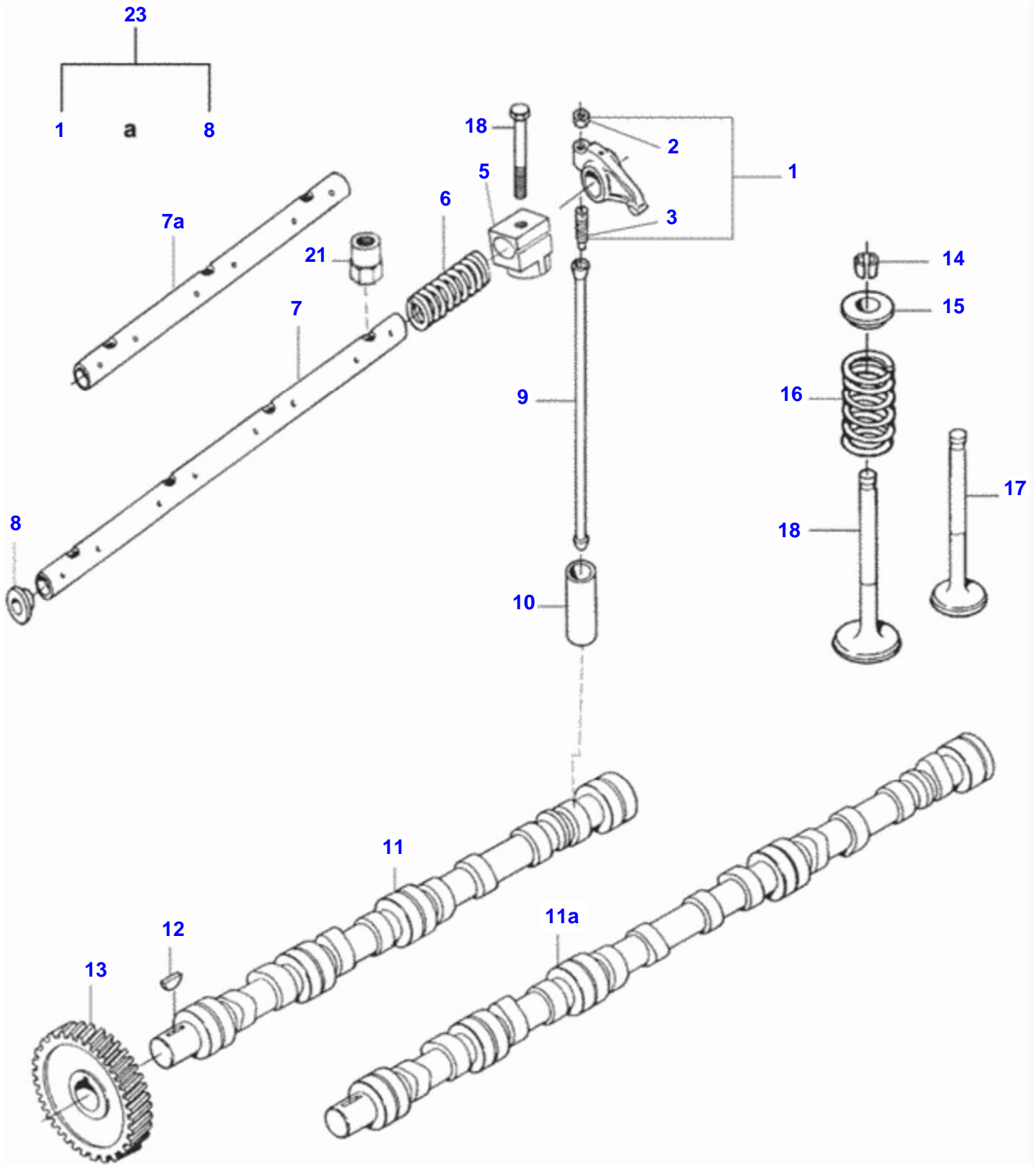
<b>Item</b>	<b>Part Number</b>	<b>Qty</b>	<b>Description</b>
1	V836647439	1	Flywheel Housing
2	V598359850	2	Pin
3	V52890220	15	Bolt
4	V581705030	6	Screw
6	V546801800	1	Dog
7	V500951000	3	Washer
8	V614500002	1	Seal
9	V836007572	1	Plug
10	V82609500	1	Flywheel
11	V835328783	1	Starter Ring
12	V528902230	8	Screw
13	V504601000	3	Nut
14	VHC8519	2	Bolt
15	V595955060	1	Pin



## Cylinder Head

Item	Part Number	Qty	Description
1	V836755385	1	Head
2	V836673175	8	Valve Guide
3	V836647936	4	Valve Seat
	V836647600	4	Valve Seat
4	V836647942	7	Pad
5	V836766301	1	Cylinder
6	V836646383	20	Screw
7	V546901435	8	Dog
8	V836746361	1	Cover
9	V836746362	1	Gasket
10	VJB8905	4	Nut
11	V836119855	4	Washer
12	V836012841	4	Washer
13	V546801900	4	Dog
14	VJB1110	4	Nut
15	V640325018	1	Plug
16	V615881822	1	Collet
17	V528801380	4	Bolt
18	V836855349	2	Eyelet
19	V836859110	2	Nut
20	V836859109	2	Dog
21	V836755007	1	Hose
22	V595953360	2	Pin

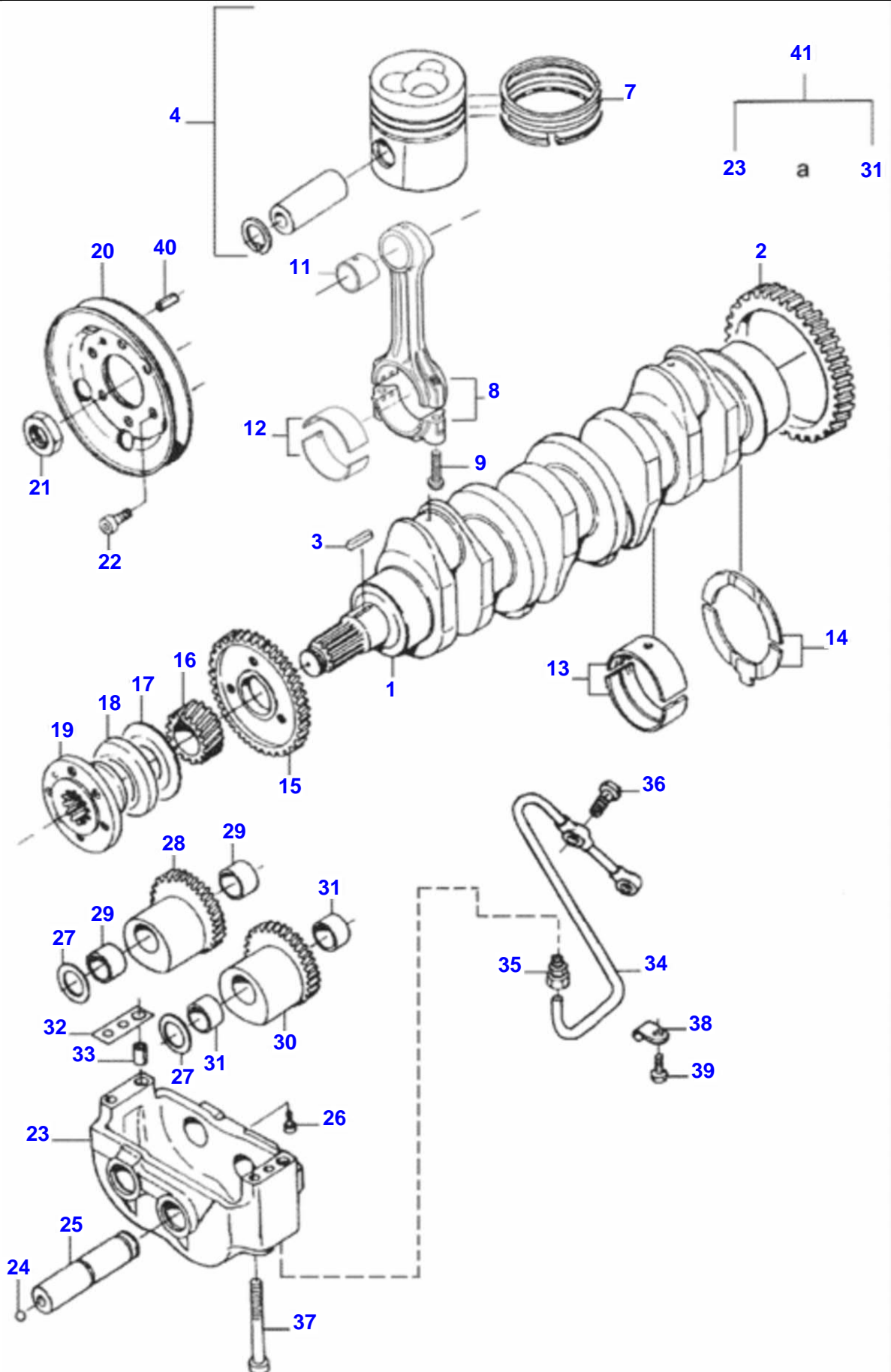
BM 125i TRACTOR (BR) - C012502  
0000285



## Valve Mechanism

Item	Part Number	Qty	Description
1	V836667042	8	Complete
2	V512861000	8	Nut
3	V837069023	8	Bolt
5	V836666609	4	Bracket
6	V836655884	3	Spring
7	V836755871	1	Shaft
8	V837069020	2	Plug
9	V836655867	8	Rod
10	V836014264	8	Tappet
11	V836746375	1	Shaft
12	V603305760	1	Key
13	V836646389	1	Gear
14	V836646382	16	Valve Cotter
15	V836646381	8	Spring Plate
16	V836646380	8	Spring
17	V836646357	4	Valve Exhaust
18	V836646356	4	Valve Inlet
21	V836655406	4	Nut
23	V836767044	1	Valve

BM 125i TRACTOR (BR) - C012502  
00002323

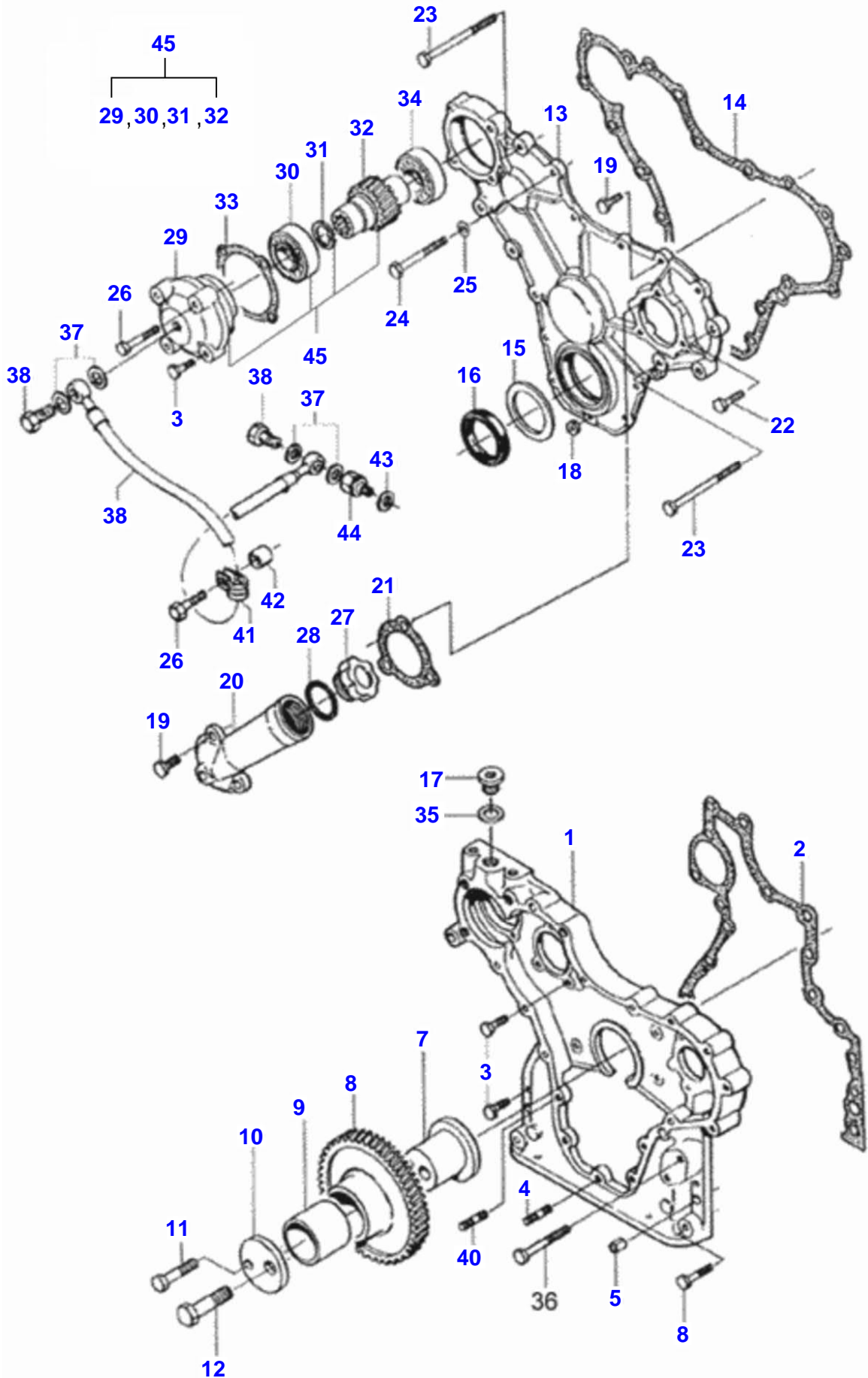


## Crankshaft Mechanism

Item	Part Number	Qty	Description	Comments
1	V836747324	1	Crankshaft	
2	V836124524	1	Gear	
3	V603345110	1	Key	
4	V836640073	4	Piston	
7	V836640078	4	Kit, Ring	
8	V82659800	1	Kit, Conrod	
9	V836864141	8	Screw	
11	V836646271	4	Bush	
12	V836112765	4	Slider Bearing	1,00mm
	V836112763	4	Slider Bearing	0,50mm
	V836112762	4	Slider Bearing	0,25mm
	V836110552	4	Big End Bearing	[A]
	V836112767	4	Slider Bearing	1,50mm
13	V836655538	5	Big-end Bearing	1,00mm
	V836655537	5	Big-end Bearing	0,50mm
	V836655536	5	Big-end Bearing	0,25mm
	V836655514	5	Big-end Bearing	[A]
	V836655539	5	Big-end Bearing	1,50mm
14	V836119459	2	Washer	Standard
	V836120332	2	Washer	
	V836120333	2	Washer	
15	V836119550	1	Gear	
16	V836122840	1	Gear	
17	V836129781	1	Ring	
18	V836136271	1	Dustcap	
19	V836846463	1	Hub	
20	V836655449	1	Pulley	
21	V836647310	1	Nut	
22	V581804580	6	Bolt	
23	V836747348	1	Housing	
24	V616810103	2	Ball	
25	V836146879	2	Shaft	
26	V581804200	2	Bolt	
27	V836146880	4	Washer	
28	V836146877	1	Gear	Ref. 29
29	V836146876	2	Bush	
30	V836146878	1	Gear	Ref. 31
31	V836146876	2	Bush	
32	V836119920	X	Shim	
33	V598359850	2	Pin	
34	V836747298	1	Pipe	
35	V641016008	1	Connection	
36	V640435008	2	Bolt	
37	V581805170	4	Allen Bolt	
38	V602071608	1	Clamp	
39	VHA6313	1	Screw	
40	V595953360	1	Pin	
41	V836766123	1	Engine	Ref. 23 a 31

FOOTNOTE [A] STANDARD

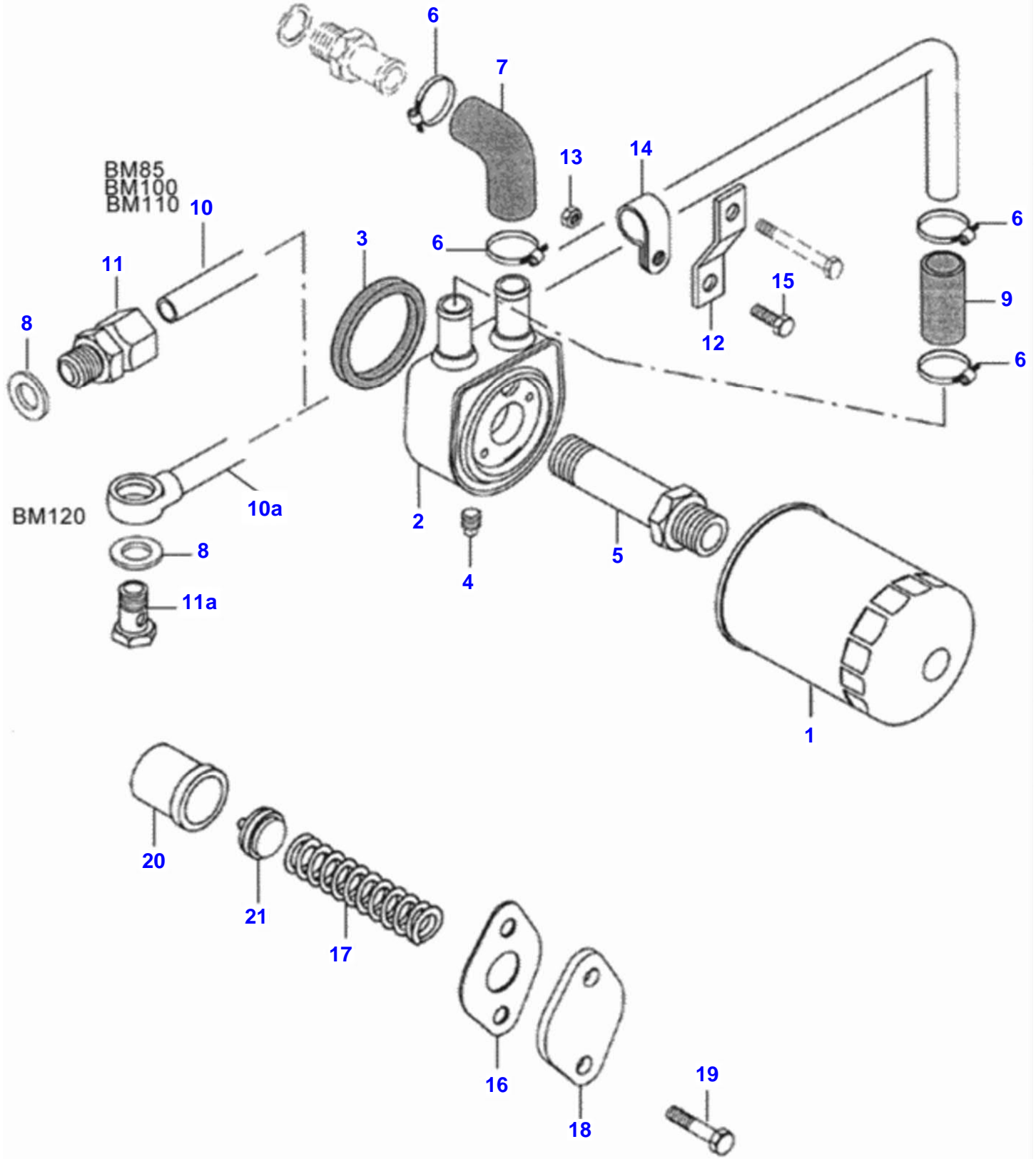
BM 125i TRACTOR (BR) - C012502  
00000125



## Gear Housing

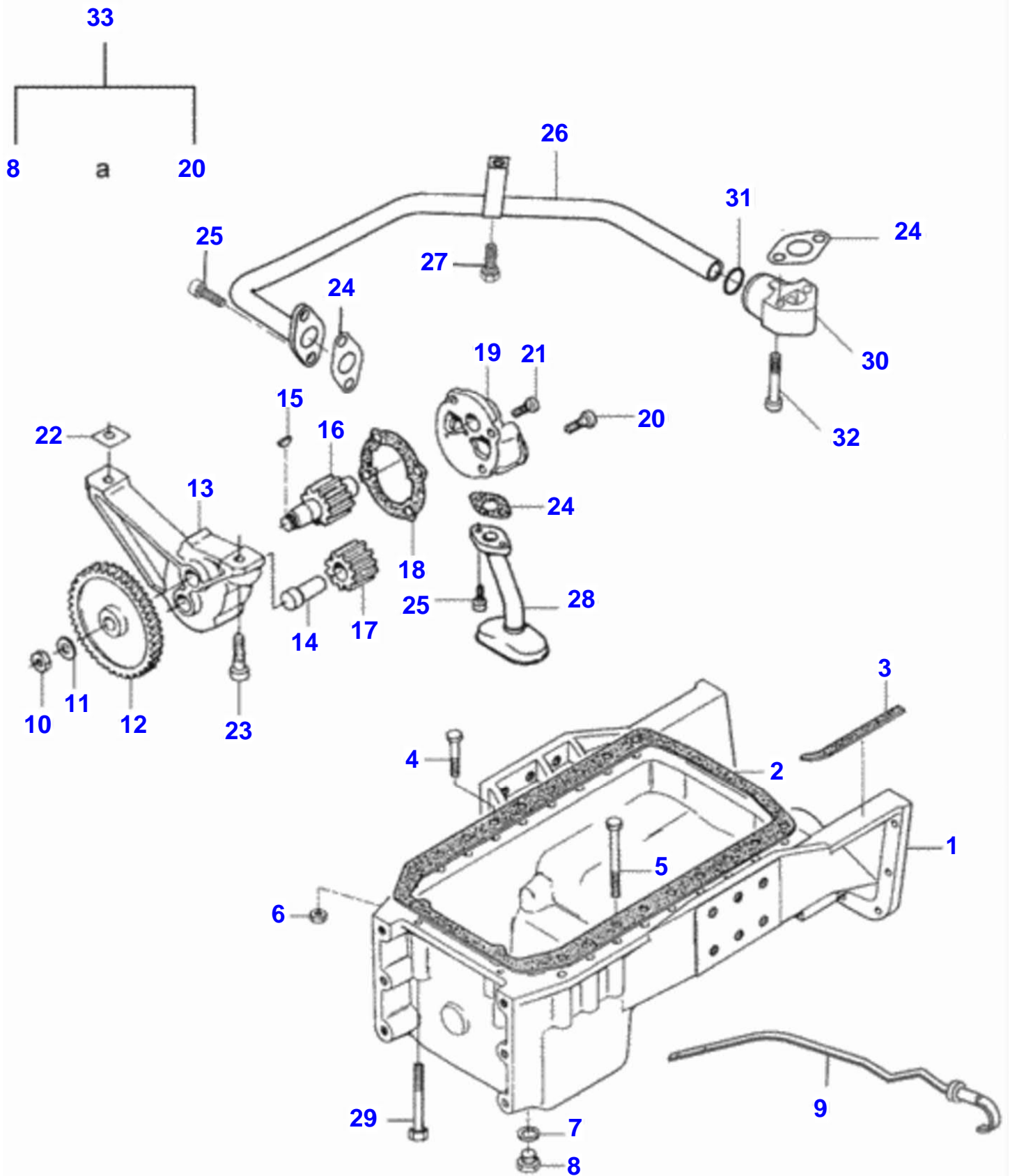
Item	Part Number	Qty	Description	Comments
1	V836652221	1	Timing Gear Case	
2	V836647419	1	Gasket	
3	VHA6324	10	Screw	
4	V546801380	5	Dog	
5	VJE8802	4	Pin	
6	V529801440	2	Screw	
7	V836138356	1	Shaft	
8	V836138354	1	Gear	
9	V836139039	1	Bush	
10	V836129845	1	Flange	
11	V529801910	1	Screw	
12	V529902720	1	Screw	
13	V836647575	1	Cover	
14	V835336796	1	Gasket	
15	V836129782	1	Collet	
16	V614105880	1	Seal	
17	V640325018	1	Plug	
18	VJB1108	5	Nut	
19	V528801380	5	Bolt	
20	V836746921	1	Filler	
21	V836129946	1	Gasket	
22	VHA9230	3	Screw	
23	V529801500	2	Screw	
24	VHA8328	3	Screw	
25	V836120989	1	Washer	
26	V529801460	3	Screw	
27	V836338733	1	Cover	
28	V614604740	1	Collet	
29	V836655230	1	Bearing Housing	
30	VLA1014	1	Bearing	
31	VKG3031	1	Circlip	
32	V836122843	1	Shaft	
33	V835336793	1	Gasket	
34	VLA1014	1	Bearing	
35	V615881822	1	Collet	
36	VHA8327	1	Screw	
37	V615870610	4	Washer	
38	V82619400	2	Banjo Bolt	
39	V82607600	1	Hose	
40	V546801410	1	Dog	
41	V602060612	1	Clamp	
42	V836119296	1	Spacer	
43	V615571014	1	Washer	
44	V836655233	1	Connection	
45	V836647725	1	Bearing	Ref. 29, 30, 31

BM 125i TRACTOR (BR) - C012502  
00000304



## Engine Oil Cooler

Item	Part Number	Qty	Description	Comments
1	V836647133	1	Oil Filter	
2	V836129315	1	Oil Cooler	
3	V835331586	1	Seal	(2)
4	V836131366	1	Plug	
5	V836647405	1	Connection	
6	VGP3910	4	Clamp	
7	V836747124	4	Hose	
8	VKH3617	1	Collet	
9	V836129978	1	Hose	
10	V836747848	1	Pipe	
11	V641086015	1	Connection	
12	V836847930	1	Bracket	
13	VJB1108	1	Nut	
14	V602074615	1	Clamp	
15	VHA6323	1	Screw	
16	V836322190	1	Gasket	
17	V836659523	1	Spring	
18	V836129849	1	Cover	
19	VHA9230	2	Screw	
20	V836659521	1	Retention	
21	V836659522	1	Plate	



## Sump

Item	Part Number	Qty	Description
1	V836752609	1	Oil Sump
2	V836129728	1	Gasket Sump
3	V836129727	2	Gasket Oil Sump
4	VHA8347	10	Screw
5	VHA8352	6	Screw
6	VJB1112	16	Nut
7	VKH3610	1	Collet
8	VGR0225	1	Plug
9	V836747067	1	Dipstick
10	V504861000	1	Nut
11	V836122910	1	Washer
12	V836338667	1	Gear
13	V836120195	1	Housing
14	V836120191	1	Shaft
15	V603305530	1	Key
16	V836652600	1	Gear
17	V836120193	1	Gear
18	V836119796	1	Gasket
19	V836129412	1	Cover
20	V529801440	2	Screw
21	V528801380	2	Bolt
22	V836007871	X	Spacing Plate
23	VHC8338	2	Screw
24	V836008449	3	Gasket
25	VHC9326	6	Screw
26	V836766983	1	Pressure Tube
27	V528801760	1	Bolt
28	V836138033	1	Suction Pipe
29	V581804800	2	Bolt
30	V836766984	1	Connection
31	V614701830	1	Snapping
32	V581804680	2	Allen Bolt
33	V836652605	1	Oil Pump



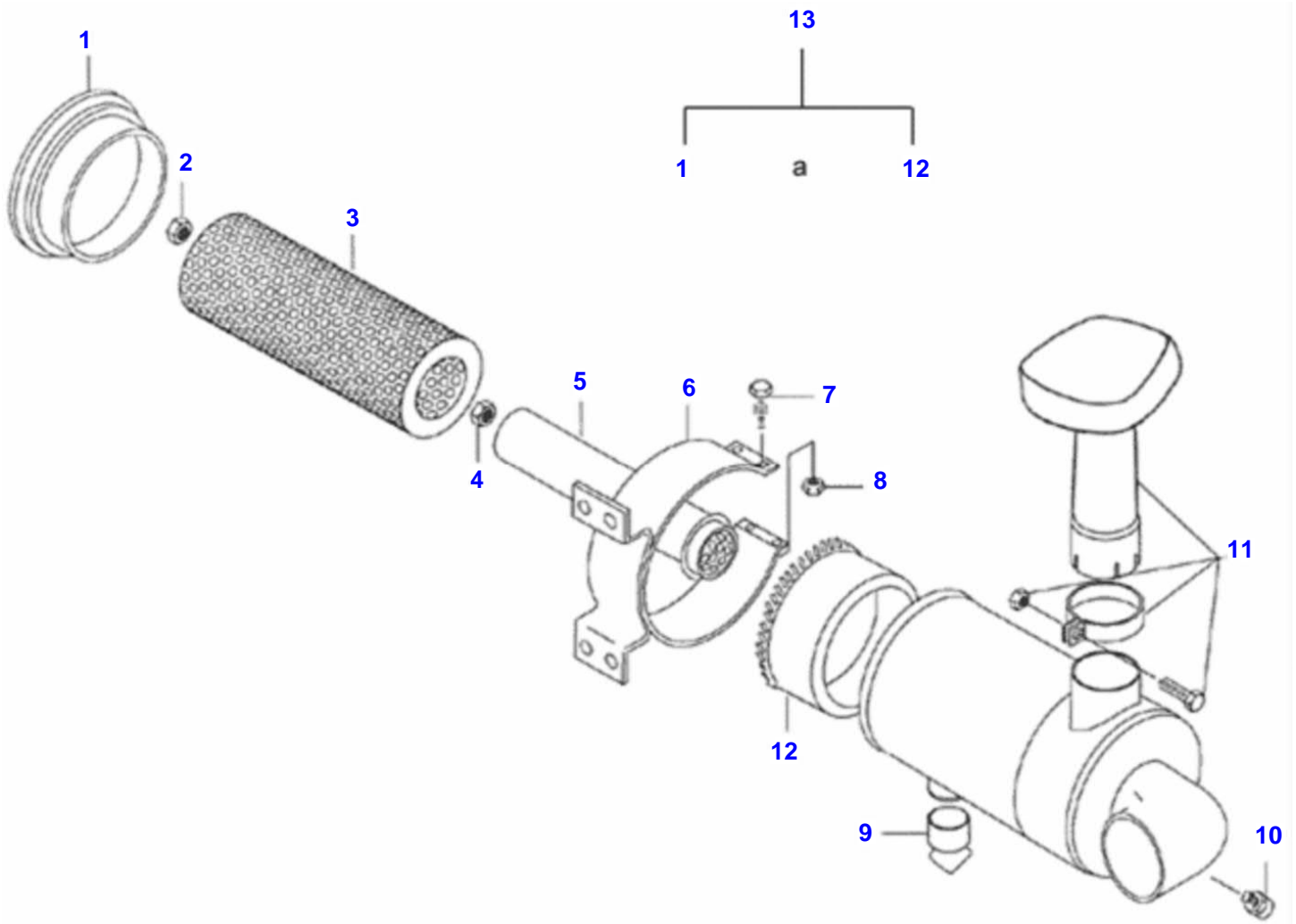
**Suggest:**

**For more complete manuals. Please go to the home page.**

**<https://www.ebooklibonline.com>**

**If the above button click is invalid. Please download this document first, and then click the above link to download the complete manual.**

**Thank you so much for reading**



## Air Filter

Item	Part Number	Qty	Description	Comments
1	V80306100	1	Cover	
2	V80060900	1	Nut	
3	V80270500	1	Filter Element	[A]
4	V80061000	1	Nut	
5	V80270400	1	Segurit Element	[B]
6	V80270300	1	Clamp	
7	V80304000	2	Bolt	
8	V80304100	2	Nut	
9	V80306200	1	Dust Valve	
10	V33389600	1	Sender	
11	V83634500	1	Rain Protectorin	
12	V81003700	1	Cyclone Housing	
13	V83634600	1	Complete	

FOOTNOTE [A] OUTER

FOOTNOTE [B] INNER

**<https://www.ebooklibonline.com>**

Hello dear friend!

Thank you very much for reading.

Enter the link into your browser.

The full manual is available for immediate download.

**<https://www.ebooklibonline.com>**