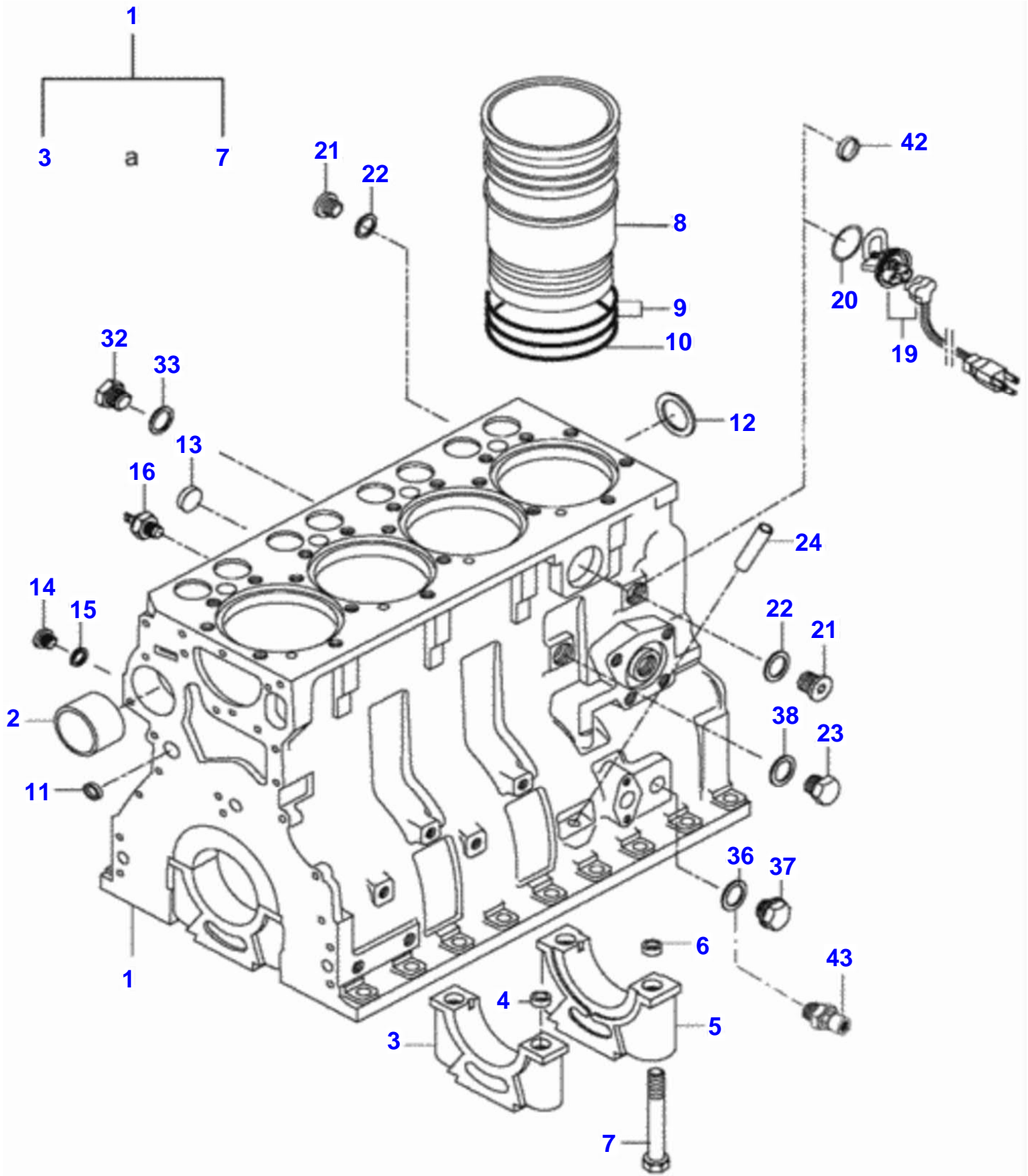


Page Title	Page Number
Cylinder Block	020-0010
Flywheel And Gear Rim	020-0015
Cylinder Head	020-0020
Gear Housing	020-0025
Valve Mechanism	020-0030
Crankshaft Mechanism	020-0035
Oil Filter	020-0040
Sump	020-0045
Air Filter	020-0050
Air Filter	020-0055
Inlet And Exhaust Manifold - Tier Ii	020-0060
Inlet And Exhaust Manifold	020-0065
Muffler	020-0070
Muffler	020-0075
Turbocharger	020-0080
Sedimentation Filter	020-0085
Fuel Filter - Tier Ii	020-0090
Fuel Filter	020-0095
Injection Pump - Usa	020-0100
Injection Pump	020-0105
Throttle System	020-0110
Fuel Pipes	020-0115
Radiator	020-0120
Water Pump And Fan	020-0125
Gasket Set S1	020-0130
Gasket Kit S1 + S2	020-0135
Repair Kit	020-0140



## Cylinder Block

Item	Part Number	Qty	Description	Comments
1	V836766377	1	Assy	
2	V836866069	1	Bush	
3		4	Bearing Cover	[A]
4	V836214478	8	Guide Bushing	
5		1	Bearing Cover	[A]
6	V836214478	2	Guide Bushing	
7	V529903180	10	Screw	
8	V836666990	4	Liner	
	V836647935	4	Liner	flange 9,23 mm
	V836647934	4	Liner	flange 9,13 mm
	V836647933	4	Liner	flange 9,08 mm
9	V836647502	8	Collet	S2
10	V836647503	4	Collet	S2
11	V640016016	4	Plug	
12	V836529872	1	Pad	
13	V640016018	1	Plug	
14	VGR0261	2	Plug	
15	V615571014	3	Washer	S2
16	V836666797	1	Pressure Switch	USA
	V887283760	1	Pressure Sensor	
19	V836640935	1	Endurance	600W - 120V, CND
20	V836640999	1	O-Ring	USA
21	V640325018	2	Plug	
22	V615881822	2	Collet	
23	V836019756	1	Plug	
24	V836014334	1	Pipe	
32	V836119079	1	Plug	
33	V615881620	1	O-Ring	S2
36	V615881216	1	Collet	
37	V640305012	1	Plug	
38	V615881824	1	O-Ring	S2
42	V640016040	1	Plug	
43	V836664377	1	Connection	
999	V836740280	1	Kit, Joint	
	V836740333	1	Kit, Gasket	S1 + S2

FOOTNOTE [A] DELIVERED ONLY COMPLETE WITH BLOCK

**<https://www.ebooklibonline.com>**

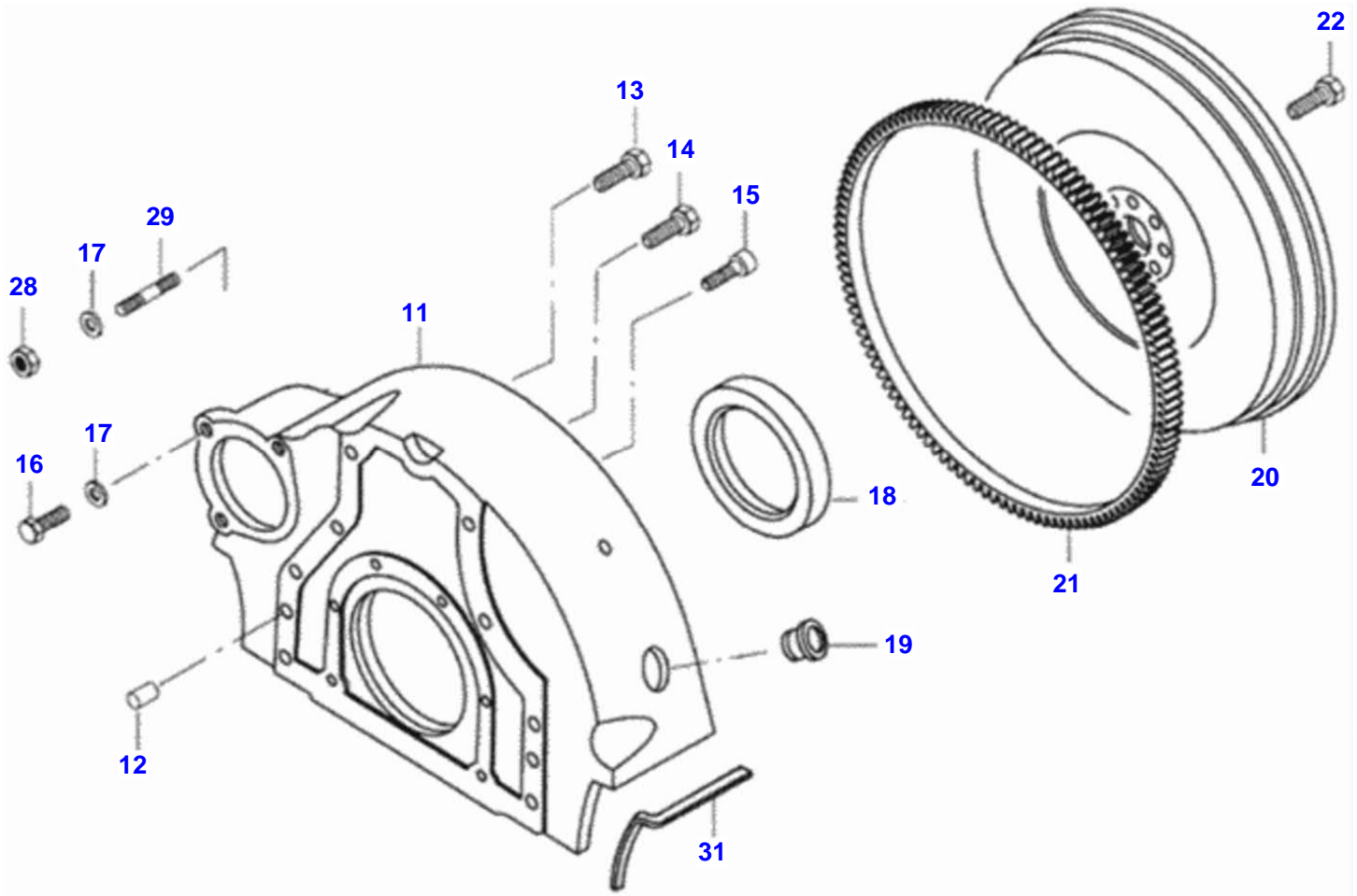
Hello dear friend!

Thank you very much for reading.

Enter the link into your browser.

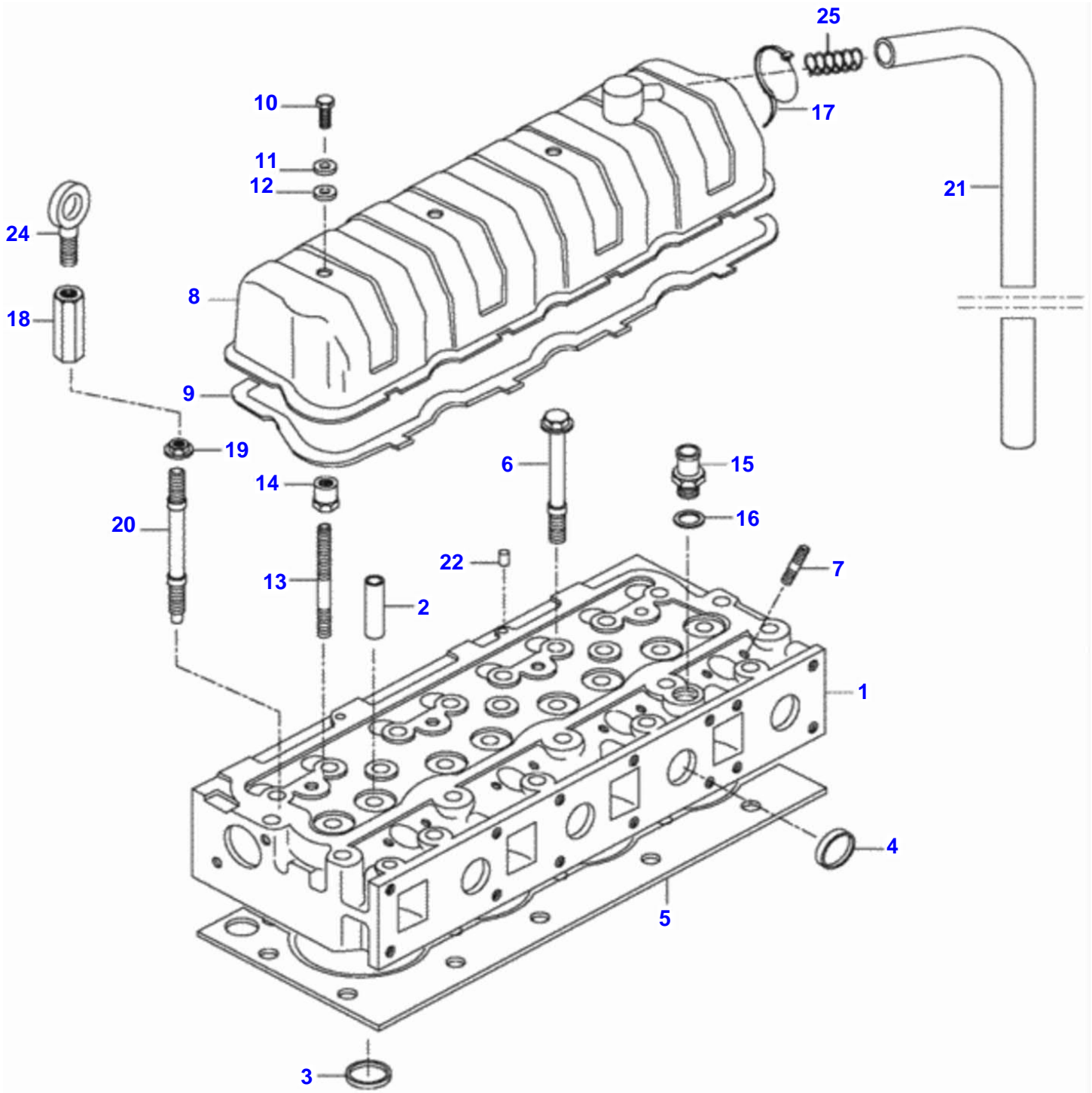
The full manual is available for immediate download.

**<https://www.ebooklibonline.com>**



## Flywheel And Gear Rim

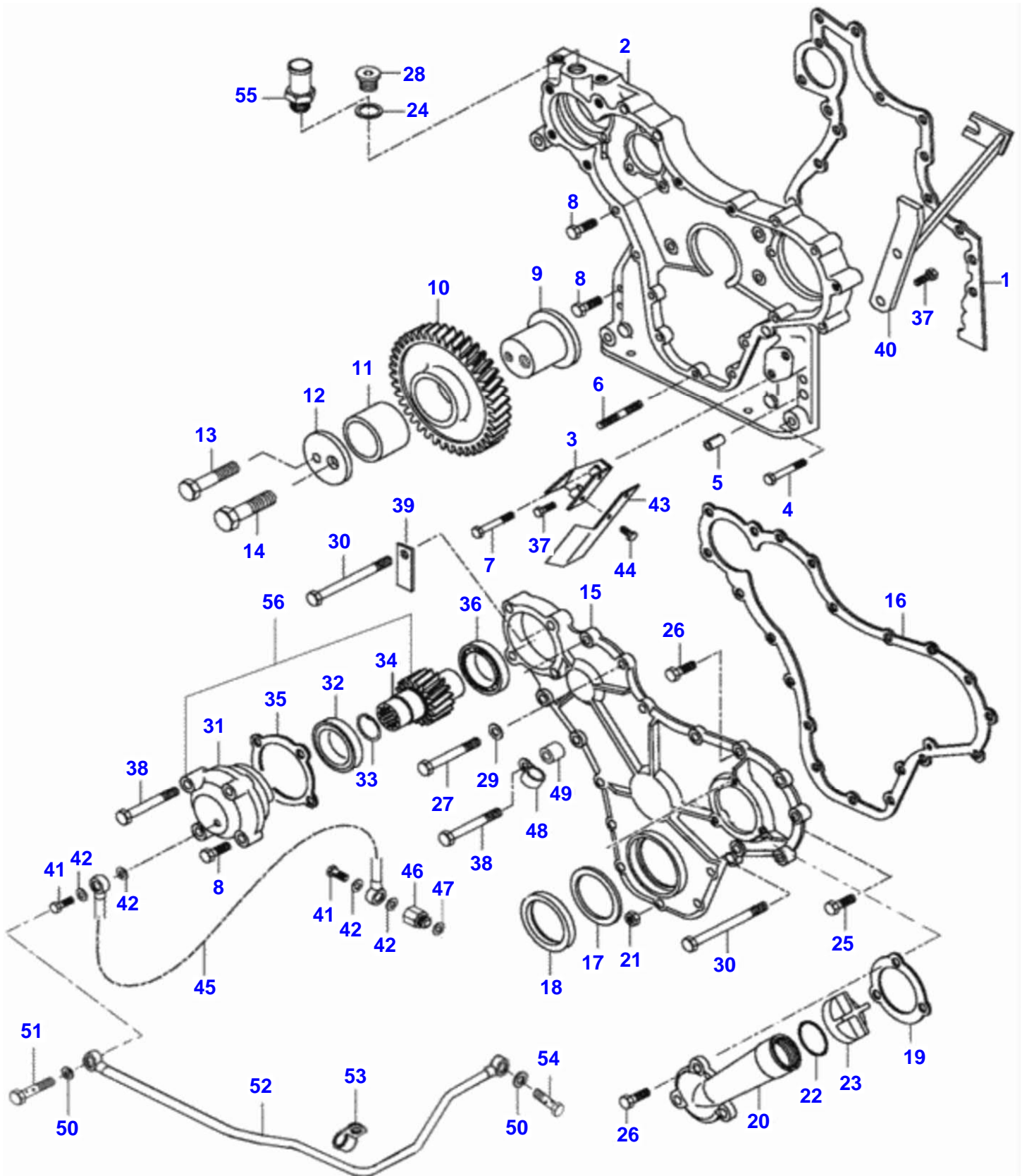
Item	Part Number	Qty	Description	Comments
11	V836752443	1	Housing	
12	V598359850	2	Pin	
13	V581705440	2	Bolt	
14	V528902220	7	Bolt	
15	V581705030	6	Screw	
16	V528801800	3	Screw	
17	V500951000	3	Washer	
18	V614500002	1	Seal	S2
19	V836007572	1	Plug	
20	V453064283	1	Flywheel	
21	V836117970	1	Starter Ring	Number of teeth/spines 128
22	V528902230	7	Screw	
28	V504601000	3	Nut	
29	V546801800	3	Dog	
31	V31085500	1	Right Gasket	
	V31085600	1	Left Gasket	



## Cylinder Head

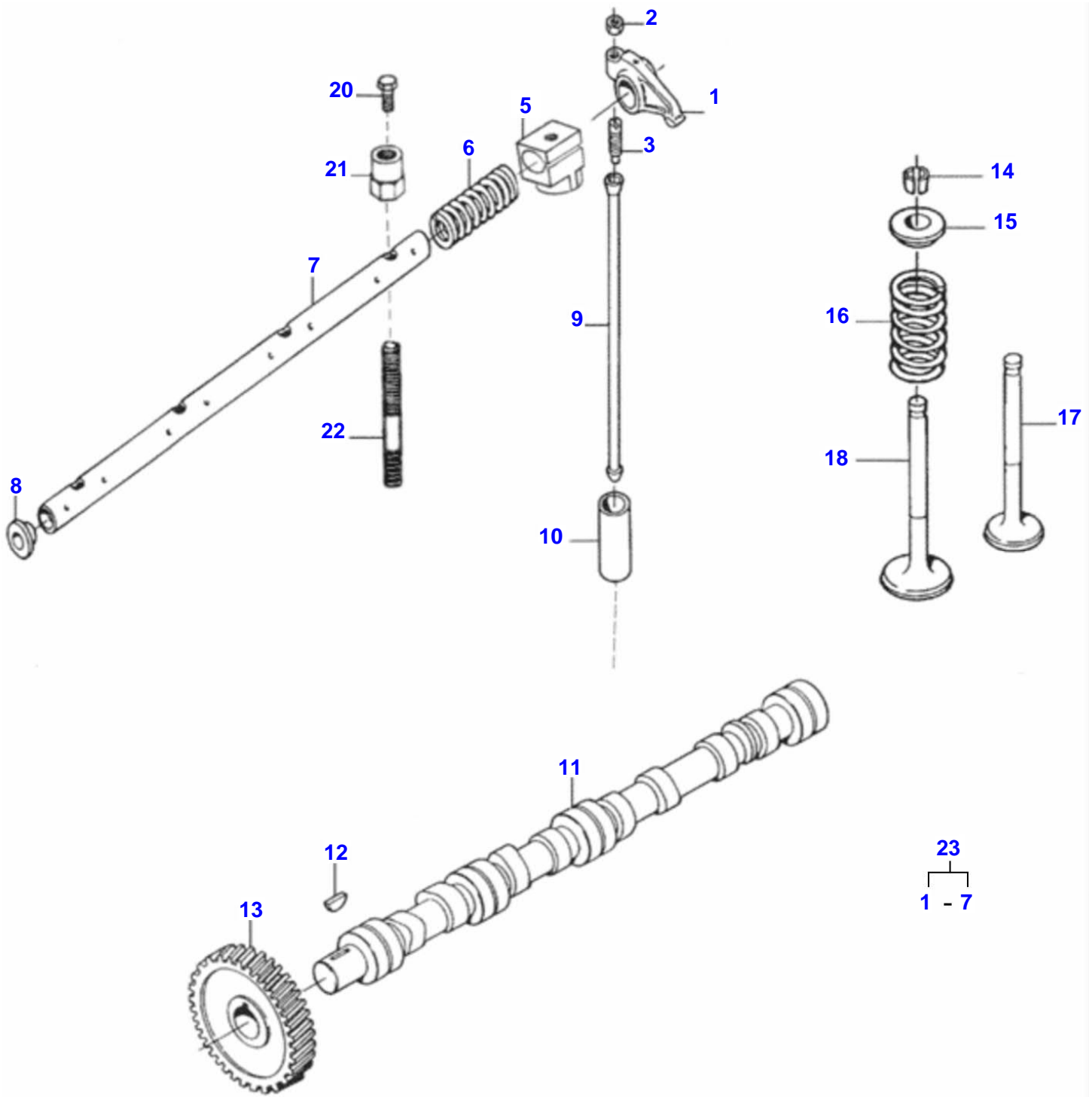
Item	Part Number	Qty	Description
1	V836755385	1	Head
2	V836673175	8	Valve Guide
3	V836647936	4	Valve Seat
	V836647600	4	Valve Seat
4	V836647942	7	Pad
5	V836766301	1	Cylinder
6	V836646383	20	Screw
7	V546901435	8	Dog
8	V836746361	1	Cover
9	V836746362	1	Gasket
10	VHA9089	4	Screw
11	V836119855	4	Washer
12	V836012841	4	Washer
13	V546801900	4	Dog
14	V836655406	4	Nut
15	V640325018	1	Plug
16	V615881822	1	Collet
17	V835329746	4	Clamp
18	V836647835	2	Nut
19	V836647322	2	Nut
20	V836859109	2	Dog
21	V836647814	1	Hose
22	V595953360	2	Pin
24	V836640252	1	Eyelet
25	V836659103	1	Spring

BL 88 TRACTOR (BR) - C008802  
00002075



## Gear Housing

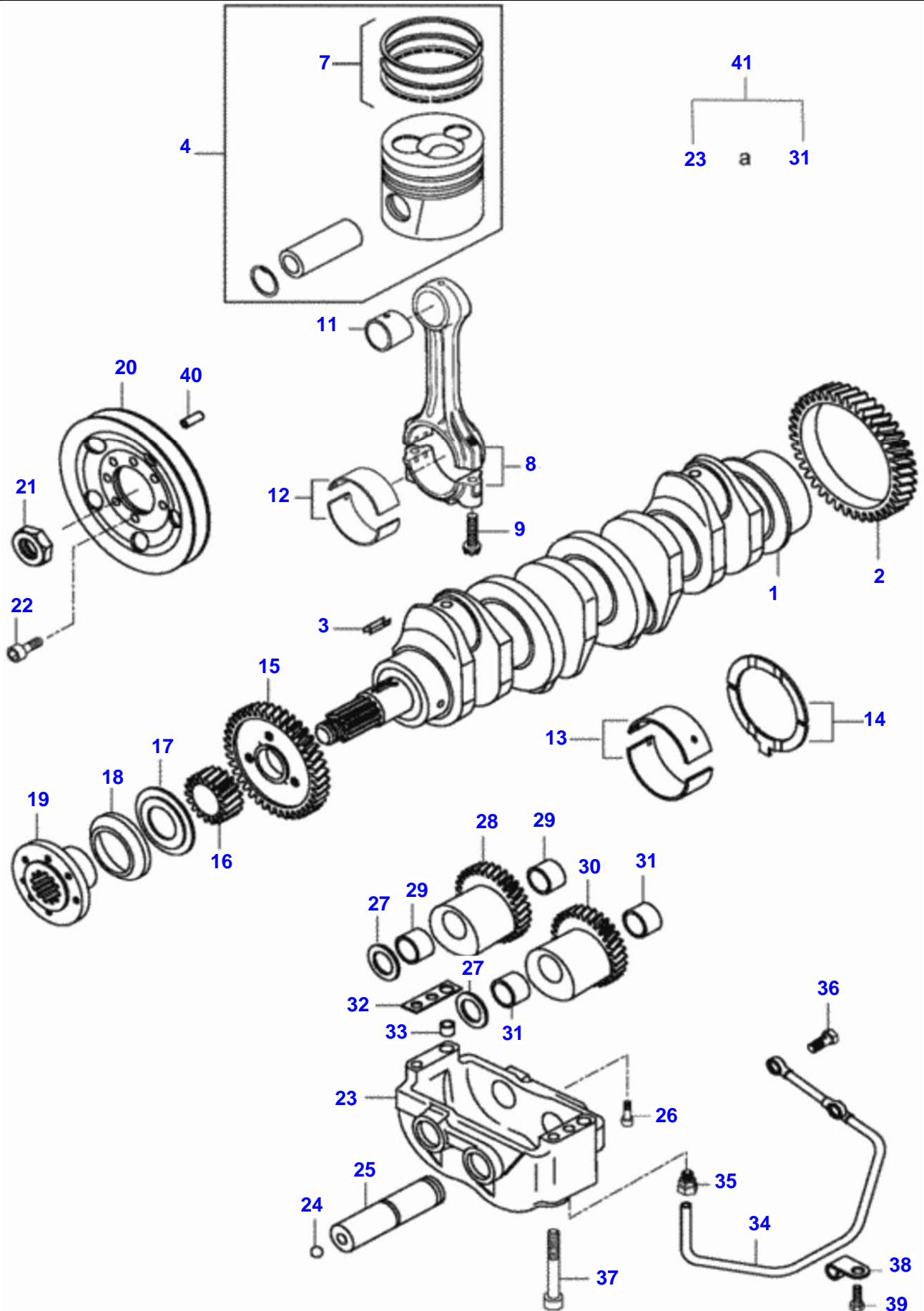
Item	Part Number	Qty	Description	Comments
1	V836647419	1	Gasket	S2
2	V836666401	1	Gear Housing	USA
	V836652221	1	Timing Gear Case	
3	V836655720	1	Gauge	
4	V529801440	2	Screw	
5	V598359850	4	Pin	
6	V546801380	5	Dog	
7	V529801450	10	Bolt	
8	V528801400	1	Bolt	
9	V836138356	1	Shaft	
10	V836138354	1	Gear	
11	V836139039	1	Bush	
12	V836129845	1	Flange	
13	V528801910	1	Bolt	
14	V529902720	1	Screw	
15	V836647575	1	Cover	
16	V835336796	1	Gasket	S2
17	V836129782	1	Collet	
18	V614105880	1	Seal	S2
19	V836129946	1	Gasket	S2
20	V835338325	1	Right Tube	
21	V504800800	5	Nut	
22	V614603540	1	Collet	S2
23	V836017927	1	Cover	
	V836655188	1	Pad	USA
24	V615881822	1	Collet	S2
25	V528801420	2	Bolt	
26	VHA6323	5	Screw	
27	V529801470	3	Bolt	
28	V836119851	1	Plug	
29	V836120989	1	Washer	
30	V529801500	2	Screw	
31	V836655230	1	Bearing Housing	
32	VLA1014	1	Bearing	
33	VKG3031	1	Circlip	
34	V836122843	1	Shaft	
35	V835336793	1	Gasket	
36	V610060090	1	Bearing	
37	V528801362	3	Bolt	
38	V529801460	4	Screw	
39	V836083428	1	Fastening Plate	
40	V836664528	1	Bracket	
41	V640435008	2	Bolt	
42	V615870610	1	Washer	
43	V836659093	1	Belt Cover	
44	V528801082	2	Bolt	
45	V82664500	1	Hose	
46	V836655233	1	Connection	
47	V615571014	1	Washer	
48	V602060612	1	Clamp	
49	V836119296	1	Spacer	
50	V615571014	2	Washer	USA
51	V836664212	2	Banjo Bolt	USA
52	V836664543	1	Pipe	USA
53	V836009683	1	Clamp	USA
54	V835330966	1	Screw	USA
55	V836119851	1	Plug	
56	V836655232	1	Assy	



## Valve Mechanism

Item	Part Number	Qty	Description
1	V836667042	8	Complete
2	V512861000	8	Nut
3	V837069023	8	Bolt
5	V836655869	4	Bracket
6	V836655884	3	Spring
7	V836755871	1	Shaft
8	V837069020	2	Plug
9	V836655867	8	Rod
10	V836014264	8	Tappet
11	V836746375	1	Shaft
12	V603305760	1	Key
13	V836646389	1	Gear
14	V836646382	16	Valve Cotter
15	V836646381	8	Spring Plate
16	V836646380	8	Spring
17	V836646357	4	Valve Exhaust
18	V836646356	4	Valve Inlet
20	V528801780	4	Bolt
21	V836655406	4	Nut
22	V546801900	4	Dog
23	V836767044	1	Valve

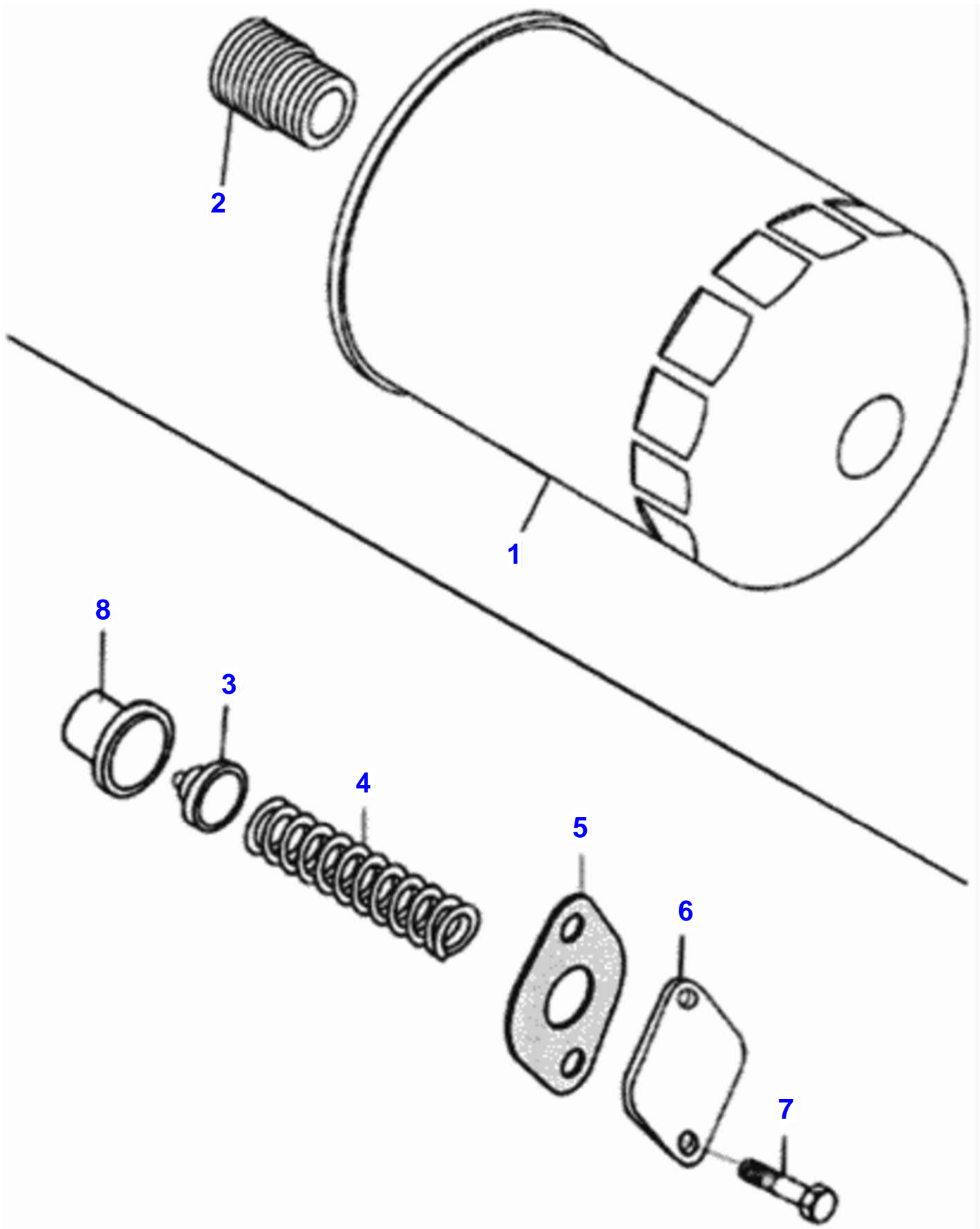
BL 88 TRACTOR (BR) - C008802  
00002074



## Crankshaft Mechanism

Item	Part Number	Qty	Description	Comments
1	V836752303	1	Crankshaft	Ref. 2
2	V836124524	1	Gear	
3	V603345110	1	Key	
4	V88605300	4	Complete Piston	
7	V836640126	4	Piston Ring Set	
8	V82659800	1	Kit, Conrod	
9	V836864141	8	Screw	
11	V836110646	4	Bush	
12	V836112763	4	Slider Bearing	0,50mm
	V836112767	4	Slider Bearing	1,50mm
	V836112762	4	Slider Bearing	0,25mm
	V836112765	4	Slider Bearing	1,00mm
	V836110552	4	Big End Bearing	[A]
13	V836655539	5	Big-end Bearing	1,50mm
	V836655537	5	Big-end Bearing	0,50mm
	V836655536	5	Big-end Bearing	0,25mm
	V836655538	5	Big-end Bearing	1,00mm
	V836655514	5	Big-end Bearing	[A]
14	V836120333	2	Washer	0,20mm
	V836119459	2	Washer	[A]
	V836120332	2	Washer	0,10mm
15	V836119550	1	Gear	
16	V836122840	1	Gear	
17	V836129781	1	Ring	
18	V836136271	1	Dustcap	
19	V836846463	1	Hub	
20	V836655449	1	Pulley	
21	V836647310	1	Nut	
22	V581804580	6	Bolt	
23	V836747348	1	Housing	
24	V616810103	2	Ball	
25	V836146879	2	Shaft	
26	V581804200	2	Bolt	
27	V836146880	4	Washer	
28	V836146877	1	Gear	Ref. 29
29	V836146876	2	Bush	
30	V836146878	1	Gear	Ref. 31
31	V836146876	2	Bush	
32	V836119920	X	Shim	
33	V598359850	2	Pin	
34	V836747478	1	Pipe	
35	V641016008	1	Connection	
36	V640435008	2	Bolt	
37	V581805170	4	Allen Bolt	
38	V602071608	1	Clamp	
39	VHA6313	1	Screw	
40	V595953360	1	Pin	
41	V836766123	1	Engine	

FOOTNOTE [A] STANDARD



**Oil Filter**

<b>Item</b>	<b>Part Number</b>	<b>Qty</b>	<b>Description</b>	<b>Comments</b>
1	V836647133	1	Oil Filter	
2	V836647404	1	Connection	
3	V836659522	1	Plate	
4	V836864056	1	Spring	
5	V836322190	1	Gasket	S2
6	V836129849	1	Cover	
7	VHA9230	2	Screw	
8	V836659521	1	Retention	



## Sump

Item	Part Number	Qty	Description	Comments
1	V836128794	1	Oil Sump	
2	V836107726	1	Gasket	S2
3	V500950800	22	Washer	
4	V581804580	22	Bolt	
5	V615881827	1	Ring	S2
6	V836655493	1	Plug	
7	V836014330	1	Measuring	
8	V504861000	1	Nut	
9	V836122910	1	Washer	
10	V836338667	1	Gear	
11	V836120195	1	Housing	
12	V528801380	4	Bolt	
13	V836119794	1	Cover	
14	V836652600	1	Gear	
15	V836120191	1	Shaft	
16	V836120193	1	Gear	
17	V836119796	1	Gasket	S2
18	V528801362	1	Bolt	
19	V836008449	3	Gasket	S2
20	V581804600	6	Bolt	
21	V836759171	1	Pipe	
22	V836746457	1	Pipe	
23	V836746572	1	Bracket	
24	V602074618	1	Clamp	
25	V836007871	1	Spacing Plate	
26	V581805050	2	Bolt	
27	V504800800	1	Nut	
28	V528801780	1	Bolt	
29	V836666908	1	Measuring	
30	V836652603	1	Built Oil Pump	



**Suggest:**

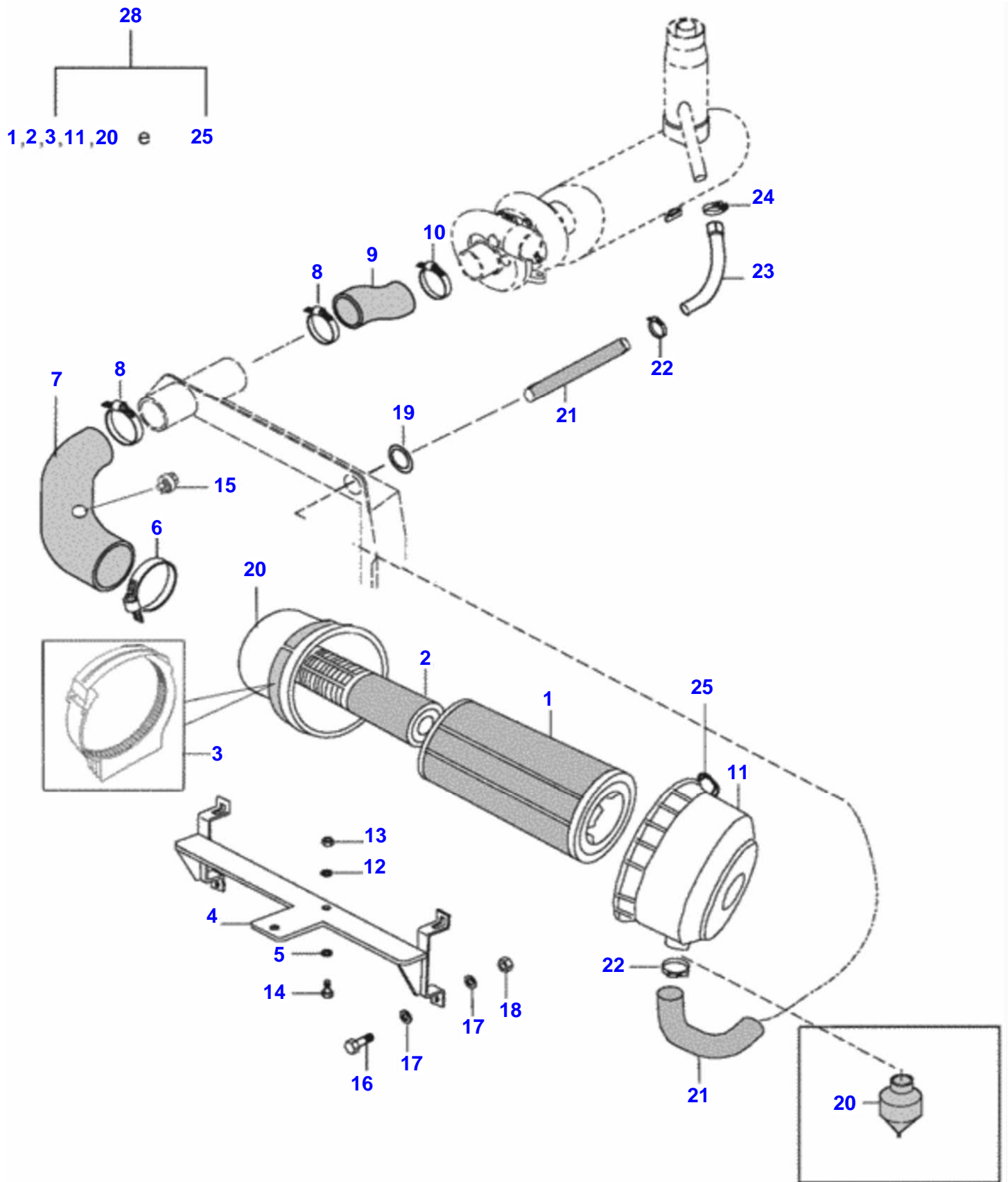
**For more complete manuals. Please go to the home page.**

**<https://www.ebooklibonline.com>**

**If the above button click is invalid. Please download this document first, and then click the above link to download the complete manual.**

**Thank you so much for reading**

BL 88 TRACTOR (BR) - C008802  
00002324



## Air Filter

Item	Part Number	Qty	Description	Comments
1	V82642100	1	Principal	[A]
2	V82642000	1	Secondary	[B]
3	V82639300	1	Staple	
4	V82614330	1	Bracket	
5	VJD0408	7	Washer	
6	VGP3933	1	Clamp	
7	V83639100	1	Air Pipe	
8	VGP3934	2	Clamp	
9	V33217400	1	Hose	
10	VGP3942	1	Clamp	
11	V82650100	1	Cover	
12	V686930	2	Washer	
13	VJB1108	3	Nut	
14	VHA9230	2	Screw	
15	V33389600	1	Sender	
16	VHA6313	4	Screw	
17	VJD0406	7	Washer	
18	VJB1106	3	Washer	
19	V33512500	1	Protector Ring	
21	V33032800	1	Hose	
22	VGP3919	2	Clamp	
23	V33079800	1	Pipe	
24	V33279500	1	Clamp	
25	V82612100	3	Staple	
26	V82639200	1	Complete	

FOOTNOTE [A] OUTER

FOOTNOTE [B] INNER

**<https://www.ebooklibonline.com>**

Hello dear friend!

Thank you very much for reading.

Enter the link into your browser.

The full manual is available for immediate download.

**<https://www.ebooklibonline.com>**