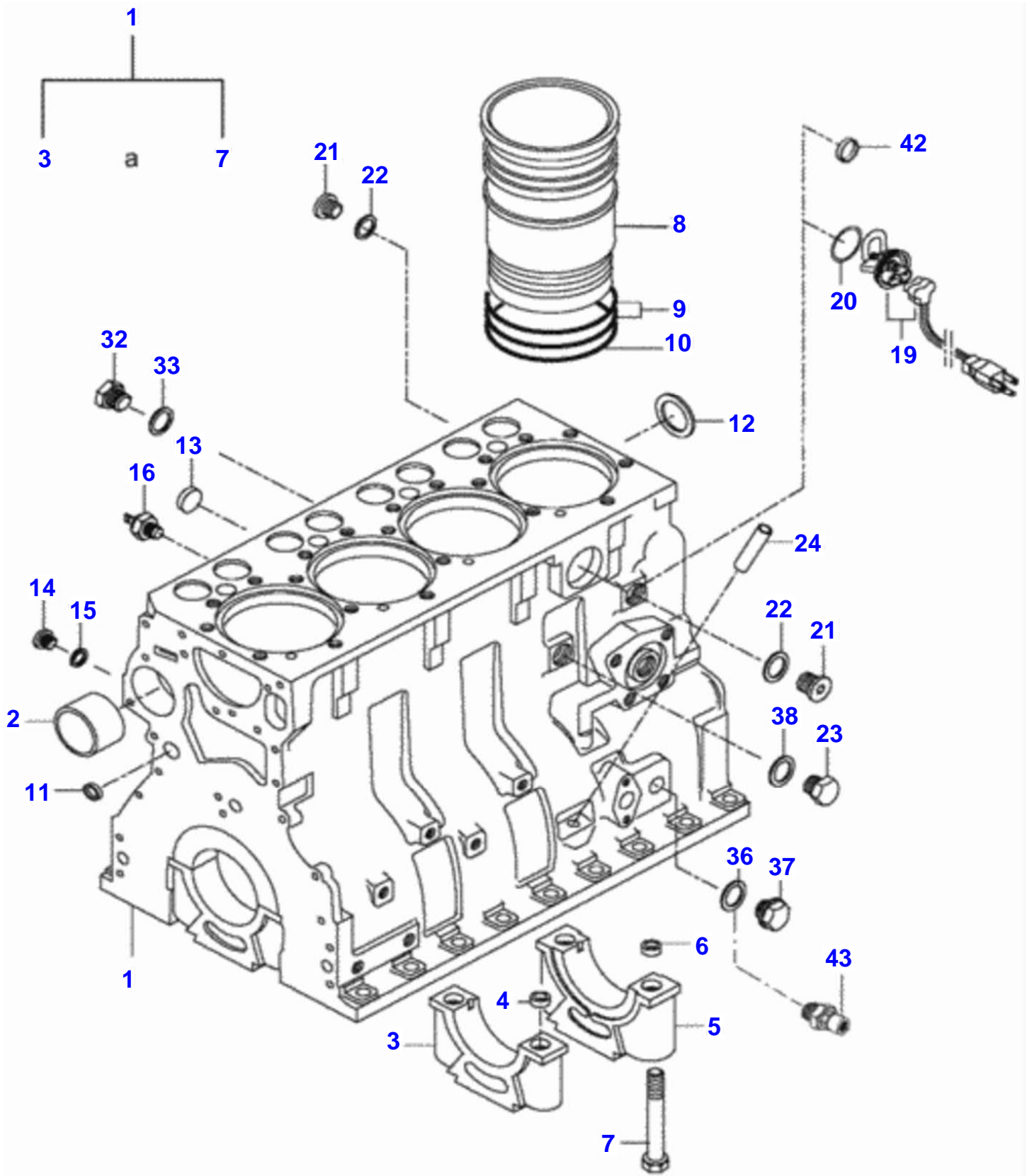


Page Title	Page Number
Cylinder Block	020-0010
Flywheel And Gear Rim	020-0015
Cylinder Head	020-0020
Gear Housing	020-0025
Valve Mechanism	020-0030
Crankshaft Mechanism	020-0035
Oil Filter	020-0040
Sump	020-0045
Air Filter	020-0050
Air Filter	020-0055
Inlet And Exhaust Manifold - Tier Ii	020-0060
Inlet And Exhaust Manifold	020-0065
Muffler	020-0070
Muffler	020-0075
Turbocharger	020-0080
Sedimentation Filter	020-0085
Fuel Filter - Tier Ii	020-0090
Fuel Filter	020-0095
Injection Pump - Usa	020-0100
Injection Pump	020-0105
Throttle System	020-0110
Fuel Pipes	020-0115
Radiator	020-0120
Water Pump And Fan	020-0125
Gasket Set S1	020-0130
Gasket Kit S1 + S2	020-0135
Repair Kit	020-0140



Cylinder Block

Item	Part Number	Qty	Description	Comments
1	836766377	1	Cylinder Block	
2	836866069	1	Bush	
3		4	Bearing Cover	[A]
4	836214478	8	Guide Bushing	
5		1	Bearing Cover	[A]
6	836214478	2	Guide Bushing	
7	529903180	10	Screw	
8	836666990	4	Liner	
	836647935	4	Liner	flange 9,23 mm
	836647934	4	Liner	flange 9,13 mm
	836647933	4	Liner	flange 9,08 mm
9	836647502	8	Seal Ring	S2
10	836647503	4	Seal Ring	S2
11	640016016	4	Plug	
12	836529872	1	Pad	
13	640016018	1	Plug	
14	GR0261	2	Plug	
15	615571014	3	Seal Ring	S2
16	836666797	1	Pressure Switch	USA
	887283760	1	Temp. Sensor	
19	836640935	1	Endurance	600W - 120V, CND
20	836640999	1	O-Ring	USA
21	640325018	2	Plug	
22	615881822	2	Collet	
23	836019756	1	Plug	
24	836014334	1	Pipe	
32	836119079	1	Plug	
33	615881620	1	O-Ring	S2
36	615881216	1	Collet	
37	640305012	1	Plug	
38	615881824	1	O-Ring	S2
42	640016040	1	Plug	
43	836664377	1	Connection	
999	836740280	1	Kit, Joint	
	836740333	1	Kit, Gasket	S1 + S2

FOOTNOTE [A] DELIVERED ONLY COMPLETE WITH BLOCK

<https://www.ebooklibonline.com>

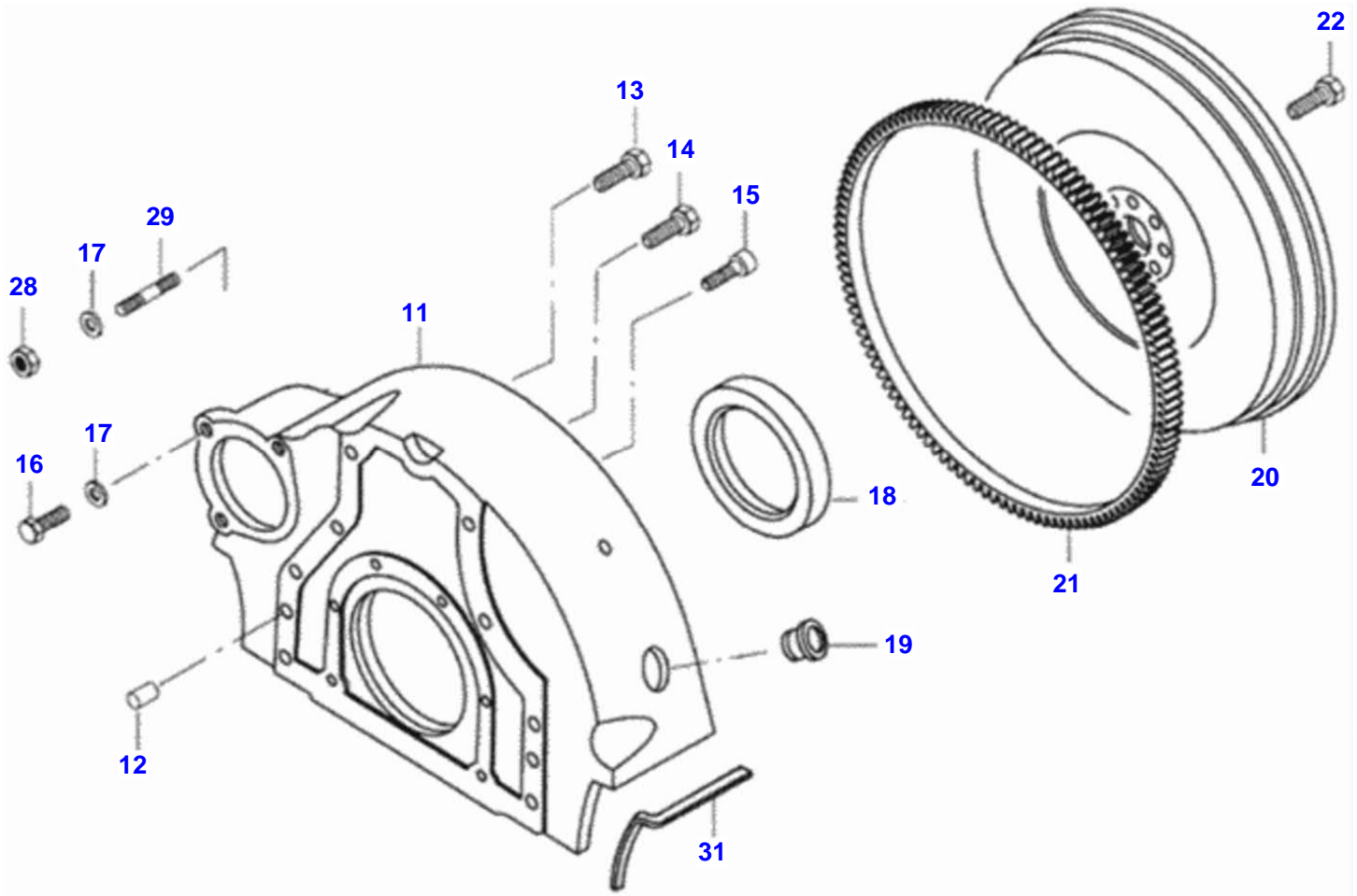
Hello dear friend!

Thank you very much for reading.

Enter the link into your browser.

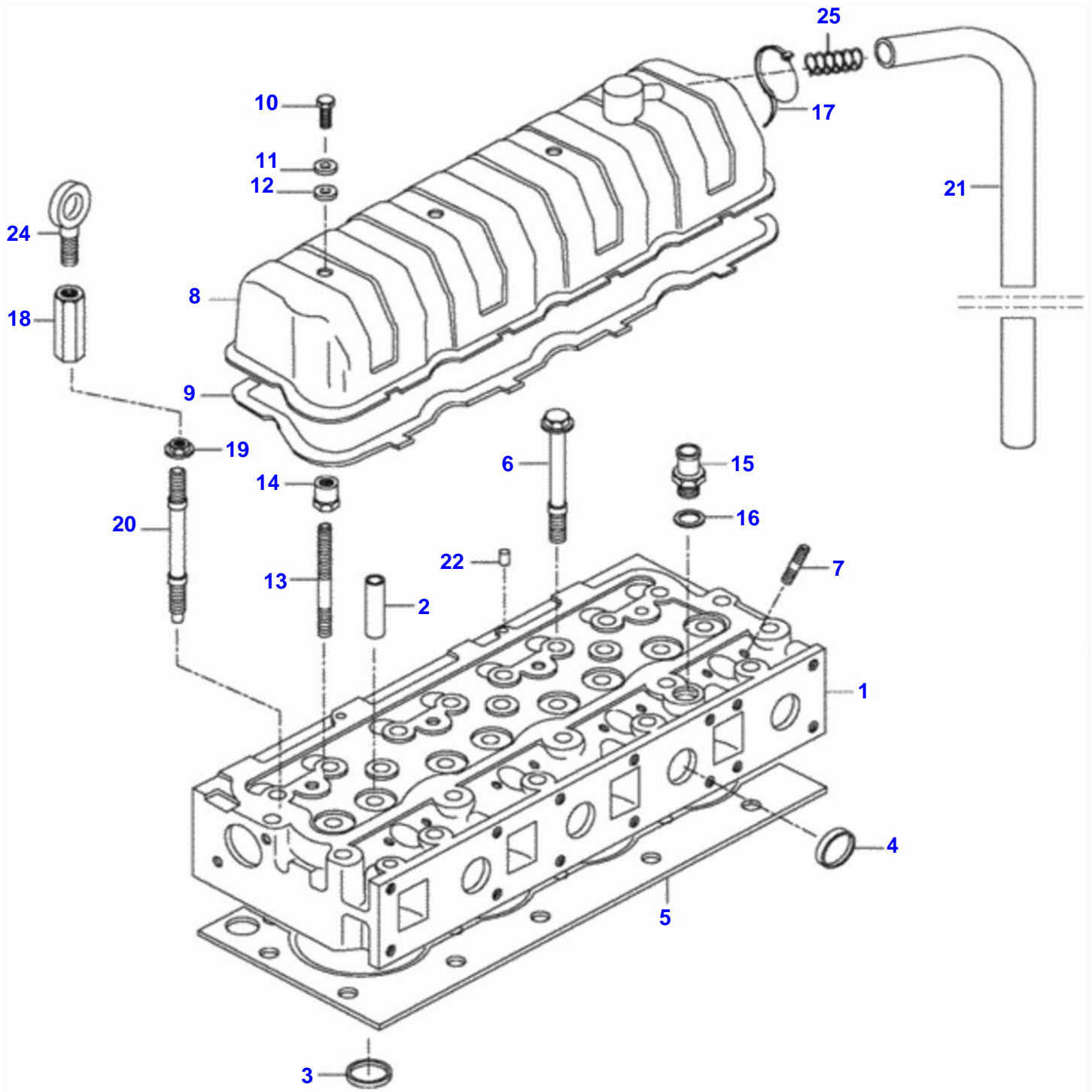
The full manual is available for immediate download.

<https://www.ebooklibonline.com>



Flywheel And Gear Rim

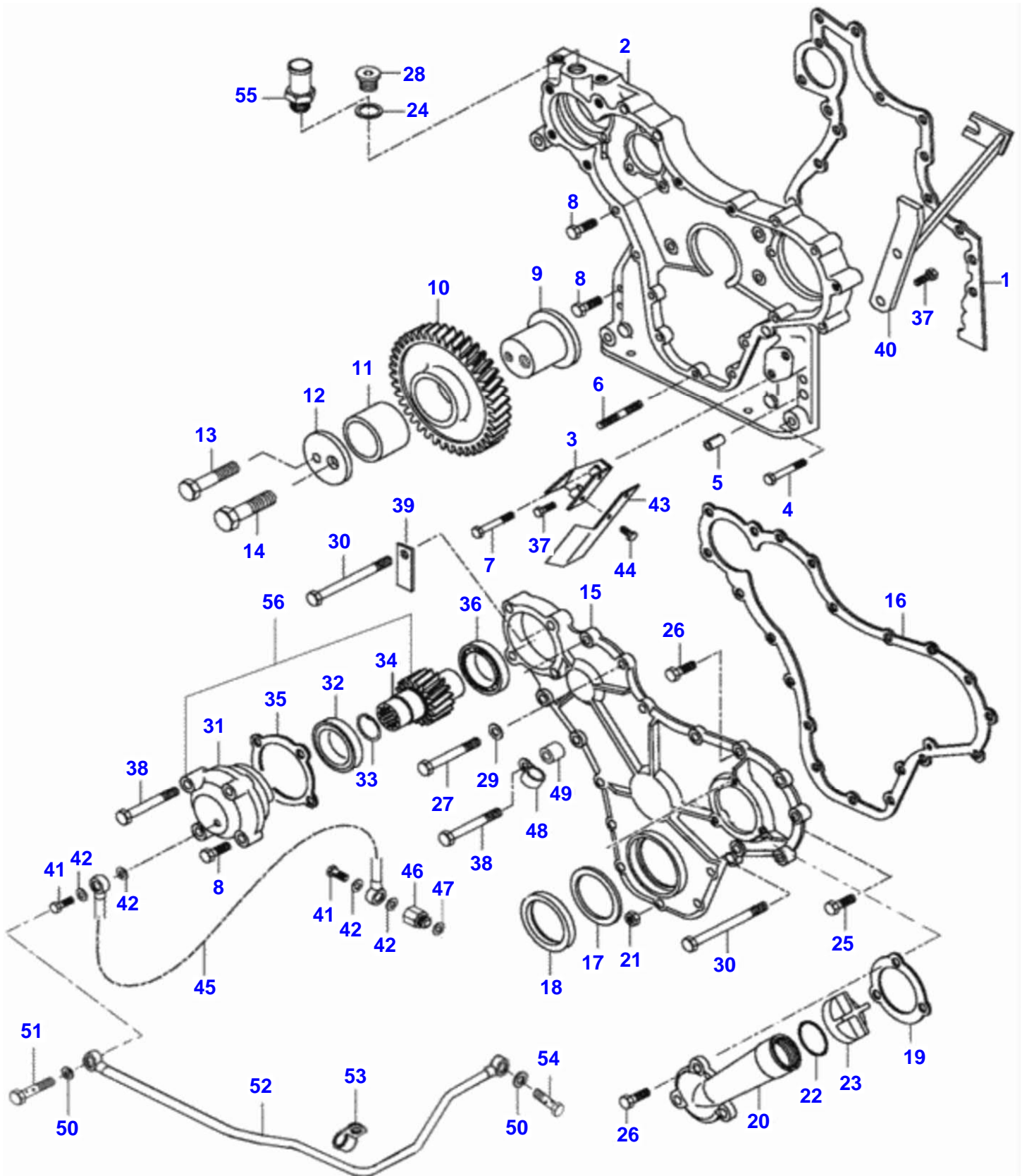
Item	Part Number	Qty	Description	Comments
11	836752443	1	Housing	
12	598359850	2	Pin	
13	581705440	2	Bolt	
14	528902220	7	Bolt	
15	581705030	6	Screw	
16	528801800	3	Screw	
17	500951000	3	Washer	
18	837074841	1	Seal	S2
19	836007572	1	Plug	
20	453064283	1	Flywheel	
21	836117970	1	Starter Ring	Number of teeth/spines 128
22	528902230	7	Screw	
28	504601000	3	Nut	
29	546801800	3	Stud	
31	31085500	1	Right Gasket	
	31085600	1	Left Gasket	



Cylinder Head

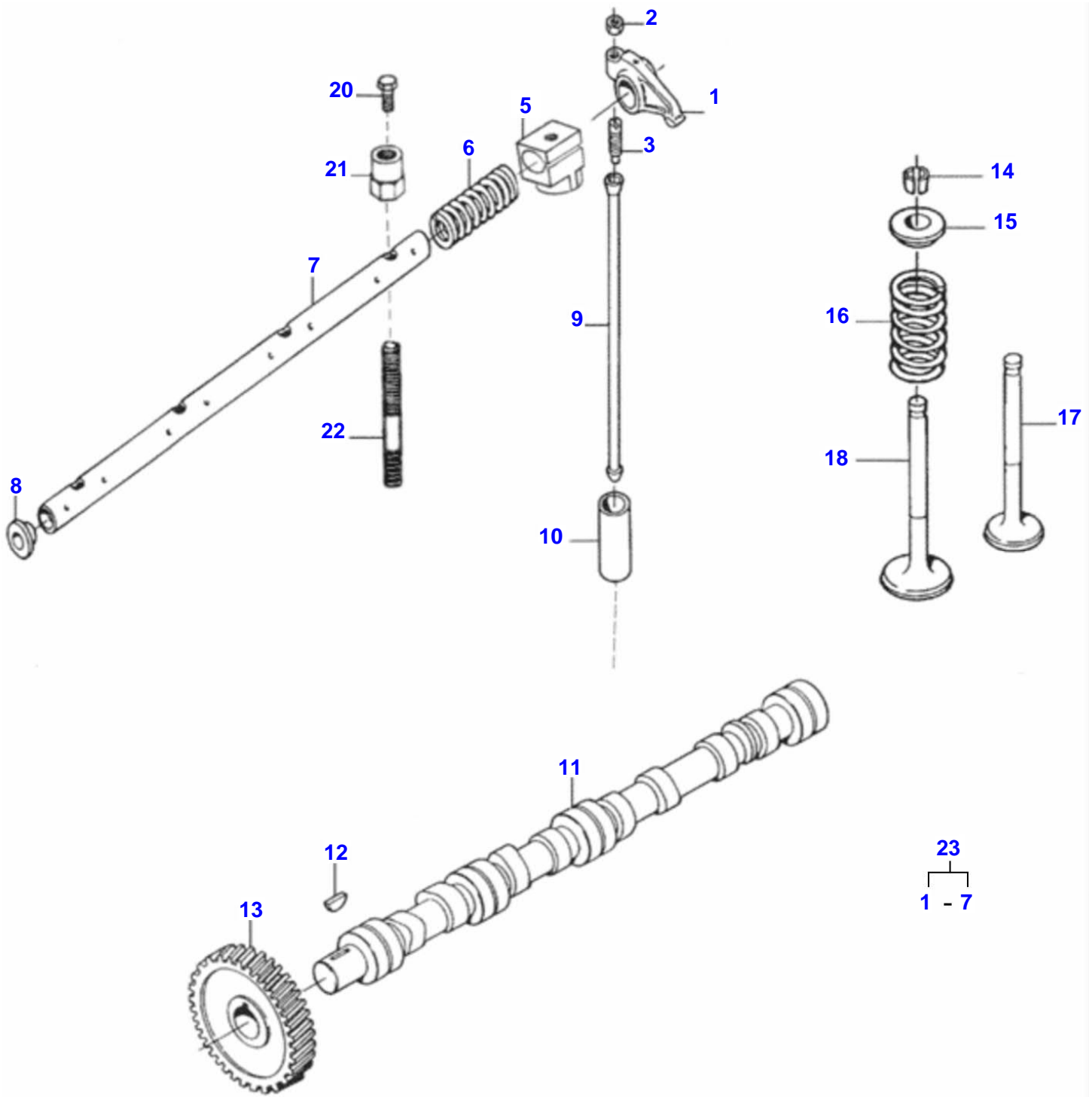
Item	Part Number	Qty	Description	Comments
1	836755385	1	Head	
2	836673175	8	Valve Guide	
3	836647936	4	Valve Seat	
	836647600	4	Valve Seat	
4	836647942	7	Pad	
5	836766301	1	Cylinder	
6	836646383	20	Screw	
7	546901435	8	Stud	
8	836746361	1	Cover	Up to Serial or Engine Number EY82683
	837070461		Valve Cover	From Serial or Engine Number EY82683
9	836746362	1	Gasket	Up to Serial or Engine Number EY82683
	836767244		Cover Gasket	From Serial or Engine Number EY82683
10	HA9089	4	Screw	
11	836119855	4	Washer	
12	836012841	4	Washer	
13	546801900	4	Stud	
14	836655406	4	Nut	
15	640325018	1	Plug	
16	615881822	1	Collet	
17	835329746	4	Clamp	
18	836647835	2	Nut	
19	836647322	2	Nut	
20	836859109	2	Stud	
21	836647814	1	Hose	
22	595953360	2	Pin	
24	836640252	1	Eyelet	
25	836659103	1	Spring	

BL 88 TRACTOR (BR) - C008801
00002075



Gear Housing

Item	Part Number	Qty	Description	Comments
1	836647419	1	Gasket	S2
2	836666401	1	Gear Housing	USA
	836652221	1	Timing Gear Case	
3	836655720	1	Gauge	
4	529801440	2	Screw	
5	598359850	4	Pin	
6	546801380	5	Stud	
7	529801450	10	Bolt	
8	528801400	1	Bolt	
9	836138356	1	Shaft	
10	836138354	1	Gear	
11	836139039	1	Bush	
12	836129845	1	Attachment Cover	
13	528801910	1	Bolt	
14	529902720	1	Screw	
15	836647575	1	Cover	
16	835336796	1	Gasket	S2
17	836129782	1	Collet	
18	614105880	1	Seal	S2
19	836129946	1	Gasket	S2
20	835338325	1	Right Tube	
21	504800800	5	Nut	
22	614603540	1	O Ring	S2
23	836017927	1	Cover	
	836655188	1	Pad	USA
24	615881822	1	Collet	S2
25	528801420	2	Bolt	
26	HA6323	5	Screw	
27	529801470	3	Bolt	
28	836119851	1	Left Connection	
29	836120989	1	Double	
30	529801500	2	Screw	
31	836655230	1	Bearing Housing	
32	LA1014	1	Bearing	
33	KG3031	1	Circlip	
34	836674533	1	Gear Z - 38	
35	835336793	1	Gasket	
36	610060090	1	Bearing	
37	528801362	3	Bolt	
38	529801460	4	Screw	
39	836083428	1	Fastening Plate	
40	836664528	1	Bracket	
41	640435008	2	Bolt	
42	615870610	1	Seal Ring	
43	836659093	1	Belt Cover	
44	528801082	2	Bolt	
45	82664500	1	Hose	
46	836655233	1	Connection	
47	615571014	1	Seal Ring	
48	602060612	1	Clamp	
49	836119296	1	Spacer	
50	615571014	2	Seal Ring	USA
51	836664212	2	Banjo Bolt	USA
52	836664543	1	Pipe	USA
53	836009683	1	Clamp	USA
54	835330966	1	Screw	USA
55	836119851	1	Left Connection	
56	836655232	1	Assy	



Valtra**BL 88 TRACTOR (BR) - C008801**

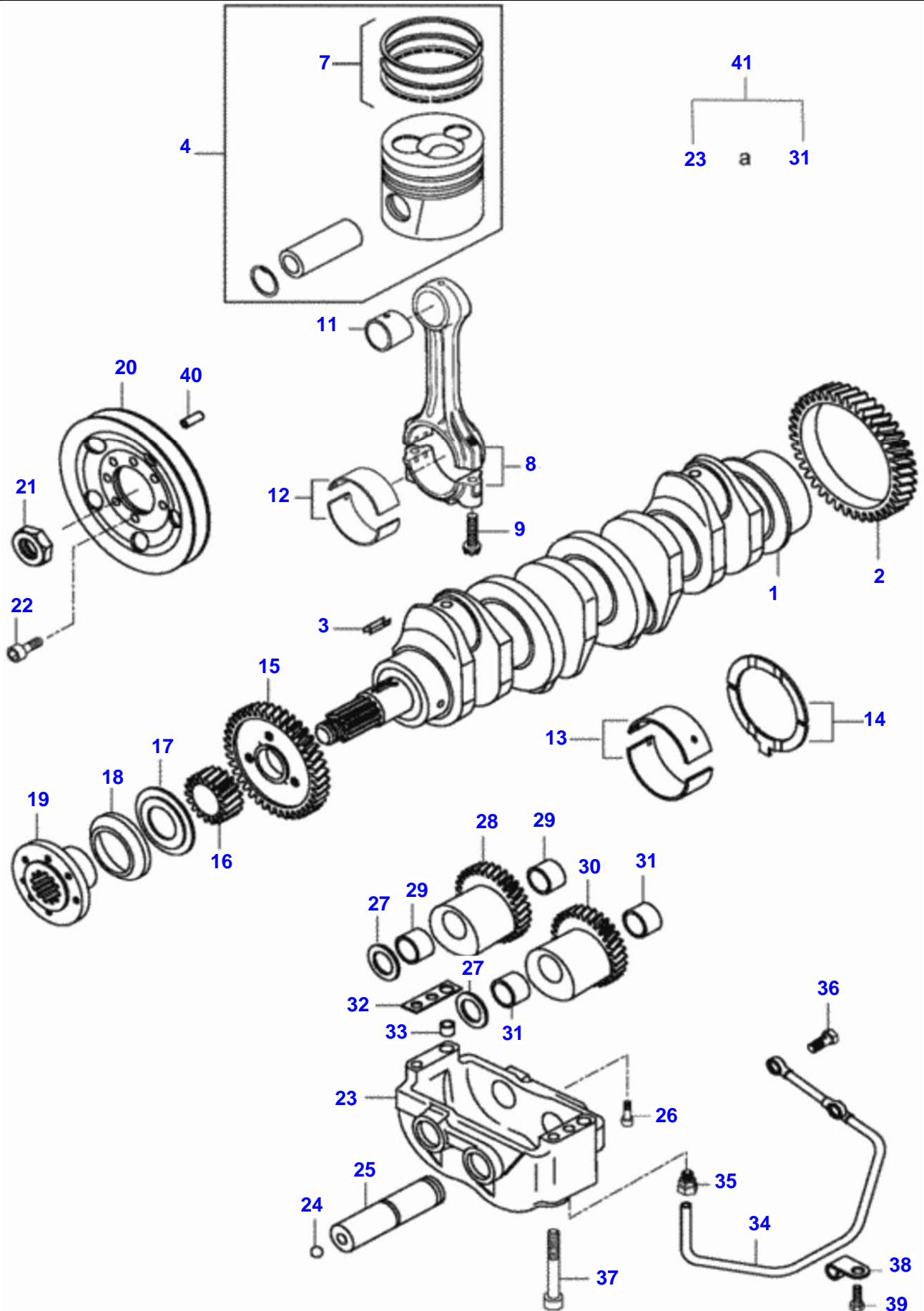
C008801

Page020-0030

Valve Mechanism

Item	Part Number	Qty	Description
1	836667042	8	Complete
2	512861000	8	Nut
3	837069023	8	Bolt
5	836655869	4	Bracket
6	836655884	3	Spring
7	836755871	1	Shaft
8	837069020	2	Plug
9	836655867	8	Push Rod
10	836014264	8	Tappet
11	836746375	1	Shaft
12	603305760	1	Key
13	836646389	1	Gear
14	836646382	16	Valve Cotter
15	836646381	8	Spring Plate
16	836646380	8	Spring
17	836646357	4	Valve Exhaust
18	836646356	4	Valve Inlet
20	528801780	4	Bolt
21	836655406	4	Nut
22	546801900	4	Stud
23	836767044	1	Valve

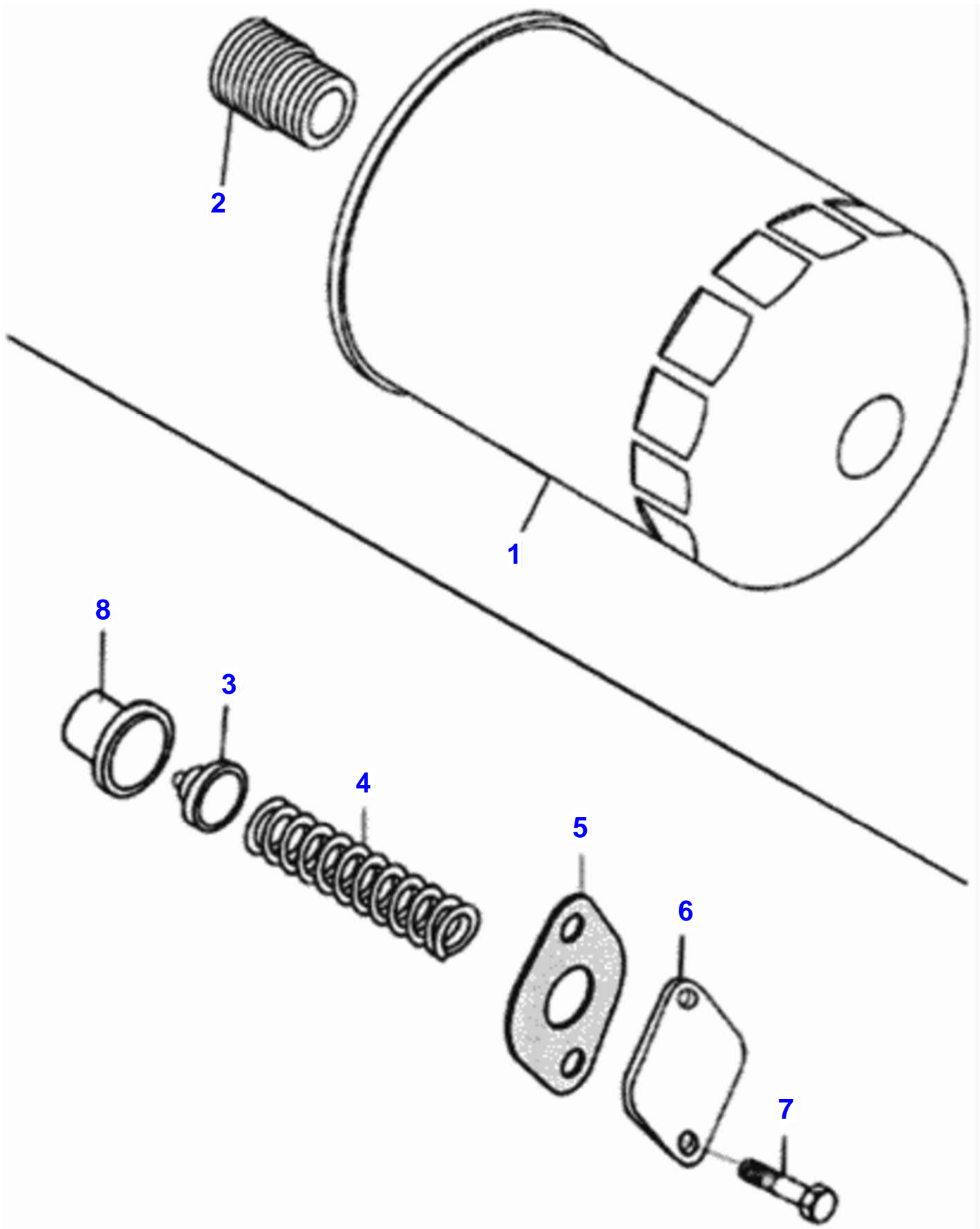
BL 88 TRACTOR (BR) - C008801
00002074



Crankshaft Mechanism

Item	Part Number	Qty	Description	Comments
1	836752303	1	Crankshaft	Ref. 2
2	836124524	1	Gear	
3	603345110	1	Key	
4	88605300	4	Complete Piston	
7	836640126	4	Piston Ring Set	
8	82659800	1	Kit, Conrod	
9	836864141	8	Screw	
11	836110646	4	Bush	
12	836112763	4	Slider Bearing	Diameter 0,50mm
	836112767	4	Slider Bearing	Diameter 1,50mm
	836112762	4	Slider Bearing	Diameter 0,25mm
	836112765	4	Slider Bearing	Diameter 1,00mm
	836110552	4	Big-End	[A]
13	836655539	5	Big-end Bearing	1,50mm
	836655537	5	Big-end Bearing	0,50mm
	836655536	5	Big-end Bearing	0,25mm
	836655538	5	Big-end Bearing	1,00mm
	836655514	5	Big-end Bearing	[A]
14	836120333	2	Washer	0,20mm
	836119459	2	Stop Ring	[A]
	836120332	2	Washer	0,10mm
15	836119550	1	Gear	
16	836122840	1	Gear	
17	836129781	1	Ring	
18	836136271	1	Dustcap	
19	836846463	1	Hub	
20	836655449	1	Pulley	
21	836647310	1	Nut	
22	581804580	6	Bolt	
23	836747348	1	Housing	
24	616810103	2	Ball	
25	836146879	2	Shaft	
26	581804200	2	Bolt	
27	836146880	4	Shim	
28	836146877	1	Gear	Ref. 29
29	836146876	2	Bush	
30	836146878	1	Gear	Ref. 31
31	836146876	2	Bush	
32	836119920	X	Shim	
33	598359850	2	Pin	
34	836747478	1	Pipe	
35	641016008	1	Connection	
36	640435008	2	Bolt	
37	581805170	4	Allen Bolt	
38	602071608	1	Clamp	
39	HA6313	1	Screw	
40	595953360	1	Pin	
41	836766123	1	Engine	

FOOTNOTE [A] STANDARD



Valtra

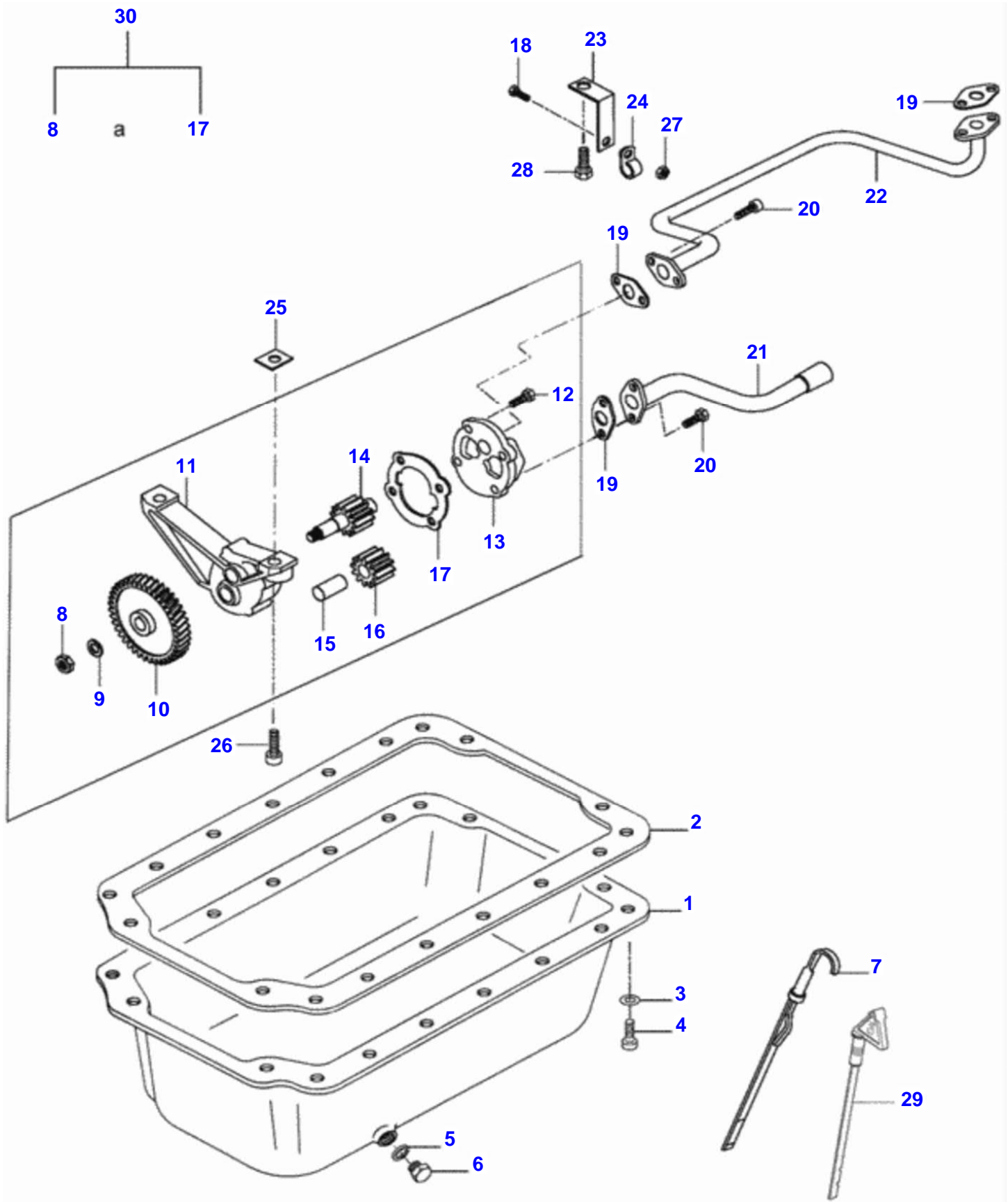
BL 88 TRACTOR (BR) - C008801

C008801

Oil Filter

Page020-0040

Item	Part Number	Qty	Description	Comments
1	836647133	1	Oil Filter	
2	836647404	1	Connection	
3	836659522	1	Command	
4	836864056	1	Spring	
5	836322190	1	Gasket	S2
6	836129849	1	Cover	
7	HA9230	2	Screw	
8	836659521	1	Intake	



Valtra**BL 88 TRACTOR (BR) - C008801**

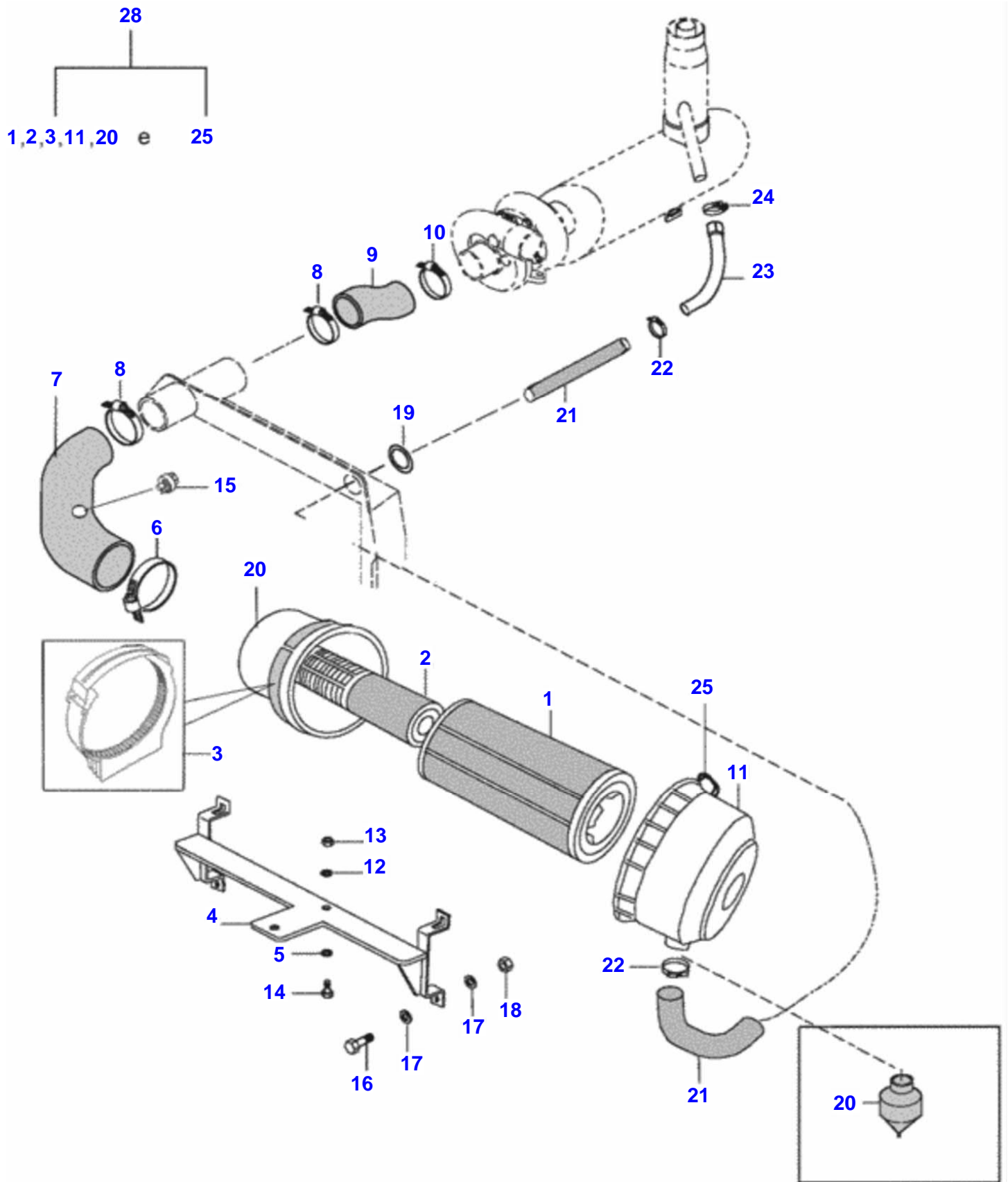
C008801

Page020-0045

Sump

Item	Part Number	Qty	Description	Comments
1	836128794	1	Oil Sump	
2	836107726	1	Gasket	S2
3	500950800	22	Pressure Ring	
4	581804580	22	Bolt	
5	615881827	1	Seal Ring	S2
6	836655493	1	Plug	
7	836014330	1	Measuring	
8	504861000	1	Nut	
9	836122910	1	Washer	
10	836338667	1	Gear	
11	836120195	1	Housing	
12	528801380	4	Bolt	
13	836119794	1	Cover	
14	836652600	1	Gear	
15	836120191	1	Shaft	
16	836120193	1	Gear	
17	836119796	1	Gasket	S2
18	528801362	1	Bolt	
19	836008449	3	Gasket	S2
20	581804600	6	Bolt	
21	836759171	1	Pipe	
22	836773149	1	Pressure Tube	
23	836673150	1	Bracket	
24	602074522	1	Clamp 1 Level	
25	836007871	1	Shim	
26	581805050	2	Bolt	
27	504800800	1	Nut	
28	528801780	1	Bolt	
29	836666908	1	Measuring	
30	836773146	1	Oil Pump	

BL 88 TRACTOR (BR) - C008801
00002324



Air Filter

Item	Part Number	Qty	Description	Comments
1	82642100	1	Principal	[A]
2	82642000	1	Secondary	[B]
3	82639300	1	Staple	
4	82614330	1	Bracket	
5	JD0408	7	Washer	
6	GP3933	1	Clamp	
7	87177300	1	Air Pipe	
8	GP3934	2	Clamp	
9	33217400	1	Hose	
10	GP3942	1	Clamp	
11	82650100	1	Cover	
12	686930	2	Washer	
13	JB1108	3	Nut	
14	HA9230	2	Screw	
15	33389600	1	Sender	
16	HA6313	4	Screw	
17	JD0406	7	Washer	
18	JB1106	3	Steering	
19	33512500	1	Protector Ring	
21	33032800	1	Hose	
22	GP3919	2	Clamp	
23	33079800	1	Pipe	
24	33279500	1	Clamp	
25	82612100	3	Staple	
26	82639200	1	Complete	

FOOTNOTE [A] OUTER

FOOTNOTE [B] INNER



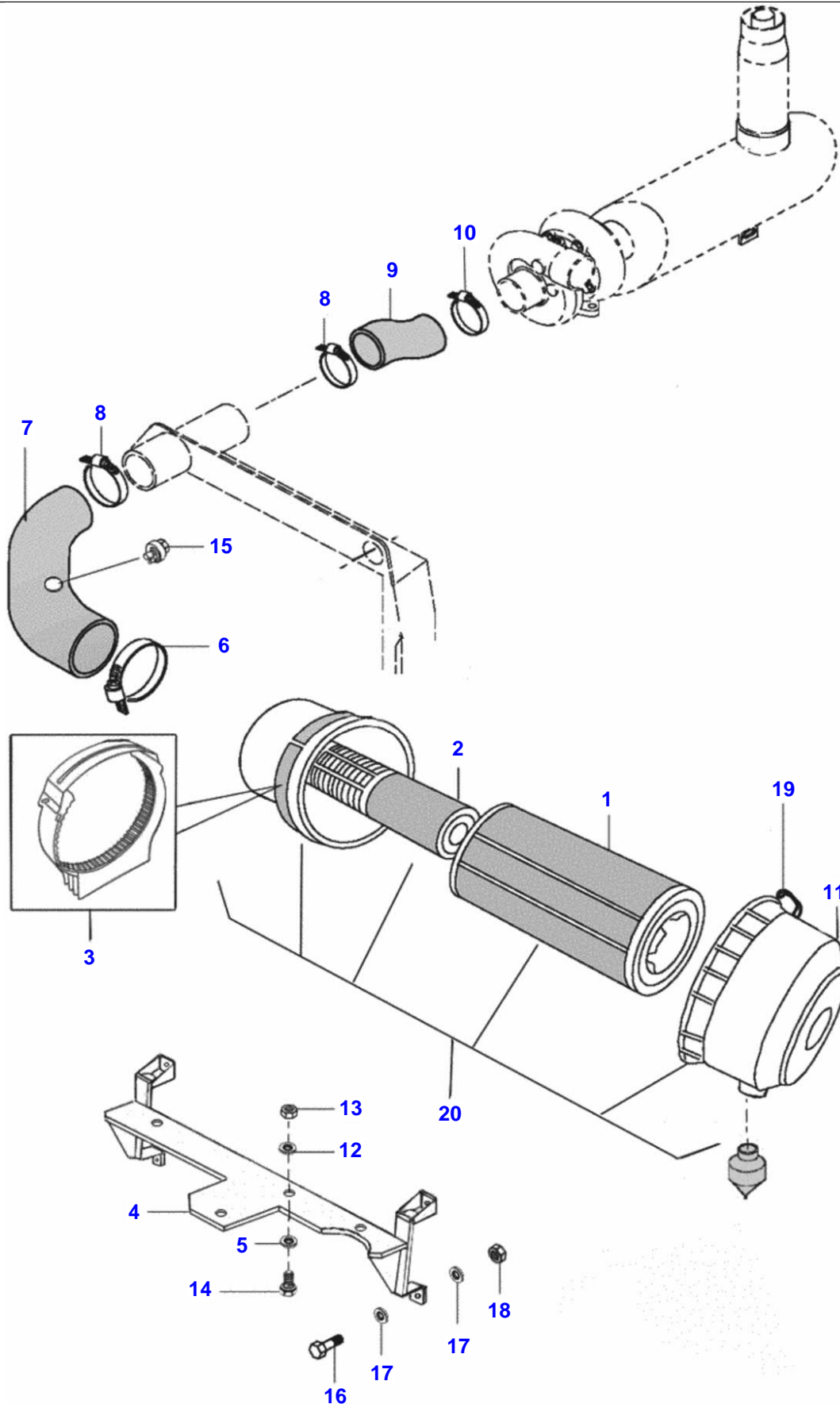
Suggest:

For more complete manuals. Please go to the home page.

<https://www.ebooklibonline.com>

If the above button click is invalid. Please download this document first, and then click the above link to download the complete manual.

Thank you so much for reading



Air Filter

Item	Part Number	Qty	Description	Comments
1	82642100	1	Principal	[A]
2	82642000	1	Secondary	[B]
3	82639300	3	Staple	
4	82614330	1	Bracket	
5	JD0408	7	Washer	
6	GP3933	1	Clamp	
7	87177300	1	Air Pipe	
8	GP3934	2	Clamp	
9	82070100	1	Hose	
10	GP3942	1	Clamp	
11	82650100	1	Cover	
12	686930	2	Washer	
13	JB1108	3	Nut	
14	HA9230	2	Screw	
15	33389600	1	Sender	
16	HA6313	4	Screw	
17	JD0406	7	Washer	
18	JB1106	3	Steering	
19	82612100	3	Staple	
20	82639200	1	Complete	

FOOTNOTE [A] OUTER

FOOTNOTE [B] INNER

<https://www.ebooklibonline.com>

Hello dear friend!

Thank you very much for reading.

Enter the link into your browser.

The full manual is available for immediate download.

<https://www.ebooklibonline.com>