

Page Title	Page Number
Cylinder Block	020-0010
Flywheel And Gear Rim	020-0015
Cylinder Head	020-0020
Valves Mechanism	020-0025
Gear Housing	020-0030
Crankshaft Mechanism	020-0035
Oil Filter	020-0040
Sump	020-0045
Air Filter	020-0050
Air Filter	020-0055
Inlet And Exhaust Manifold - Tier I	020-0060
Inlet And Exhaust Manifold	020-0065
Inlet And Exhaust Manifold - Tier Ii	020-0070
Muffler	020-0075
Muffler	020-0080
Turbocharger	020-0085
Sedimentation Filter	020-0090
Fuel Filter - Tier Ii	020-0095
Fuel Filter	020-0100
Injection Pump - Usa	020-0105
Injection Pump	020-0110
Throttle System	020-0115
Fuel Pipes	020-0120
Radiator	020-0125
Water Pump And Fan	020-0130
Gasket Set S1	020-0135
Gasket Set S1+S2	020-0140
Repair Kit	020-0145



## Cylinder Block

Item	Part Number	Qty	Description	Comments
1	V836667523	1	Assy	
2	V836322610	1	Bush	
3		4	Bearing Cover	
4	V836214478	6	Guide Bushing	
5		1	Bearing Cover	
6	V836214478	2	Guide Bushing	
7	V529903180	8	Screw	
8	V836647934	3	Liner	Flange s=9,13mm
	V836647935	3	Liner	Flange s=9,23mm
	V836666990	3	Liner	Flange s=9,03mm
	V836647933	3	Liner	Flange s=9,08mm
9	V836647502	6	Collet	S2
10	V836647503	3	Collet	S2
11	V640016016	4	Plug	
12	V836529872	1	Pad	
13	V836014334	1	Pipe	
14	V640325110	2	Plug	
15	V615571014	2	Washer	S2
16	V887283760	1	Pressure Sensor	
	V836666797	1	Pressure Switch	USA
17	V528801362	2	Bolt	
18	V836647400	1	Cover	
	V836659543	1	Cover	
19	V836647401	1	Gasket	S2
	V836659544	1	Gasket	S2
20	V640325018	2	Plug	
21	VKH3617	2	Collet	
22	V836019756	1	Plug	
23	V640016018	1	Plug	
24	V640016012	1	Plug	
34	V836640935	1	Endurance	600W 120V. CDN
35	V836640999	1	O-Ring	USA
36	V615881824	1	O-Ring	
37	V615881216	1	Collet	
38	V640305012	1	Plug	
42	V640016040	1	Plug	
43	V836664377	1	Connection	
999	V836640289	1	Kit, Joint	S2
	V836640356	1	Gasket Set S1+S2	S1+S2

**<https://www.ebooklibonline.com>**

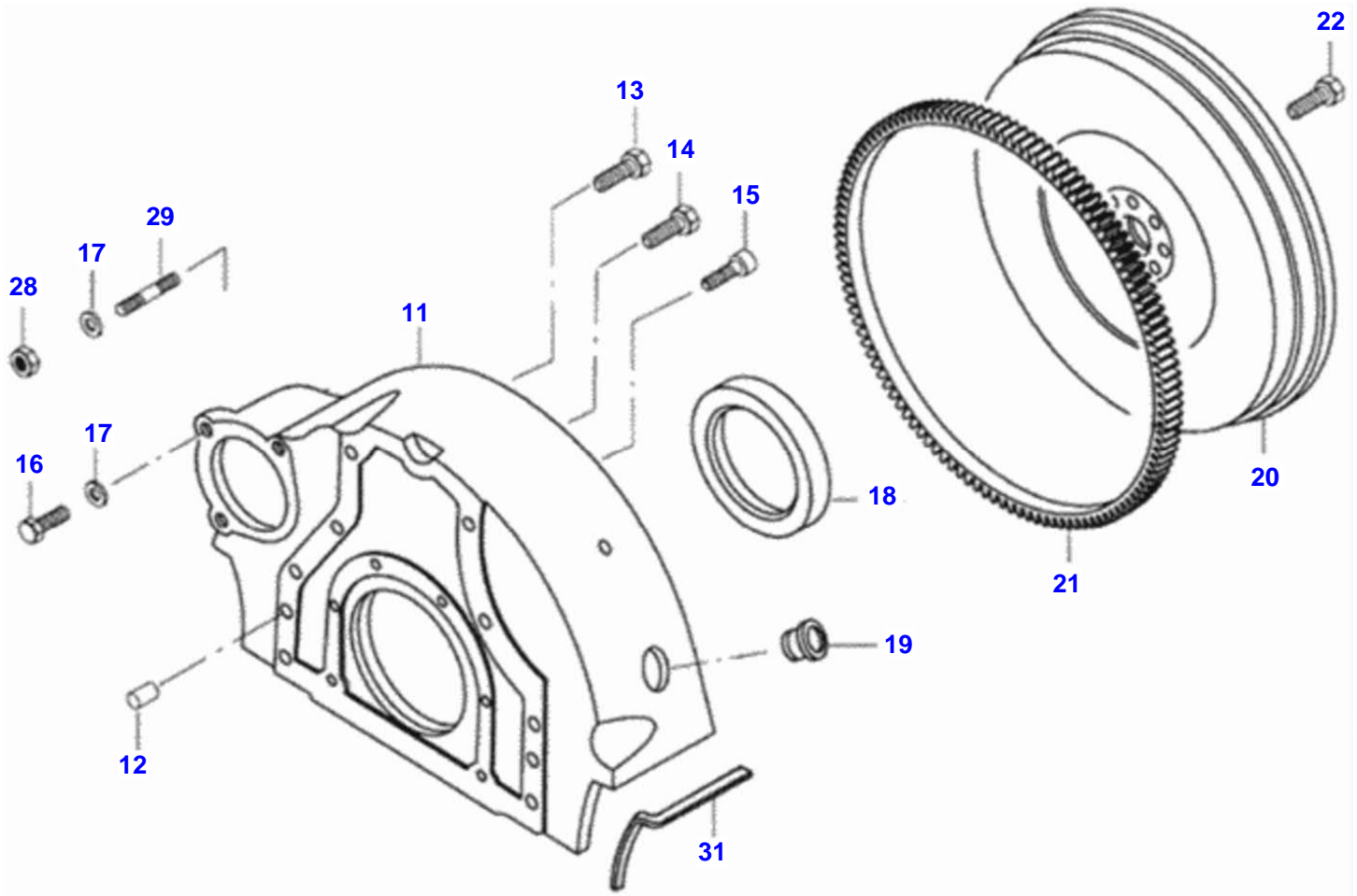
Hello dear friend!

Thank you very much for reading.

Enter the link into your browser.

The full manual is available for immediate download.

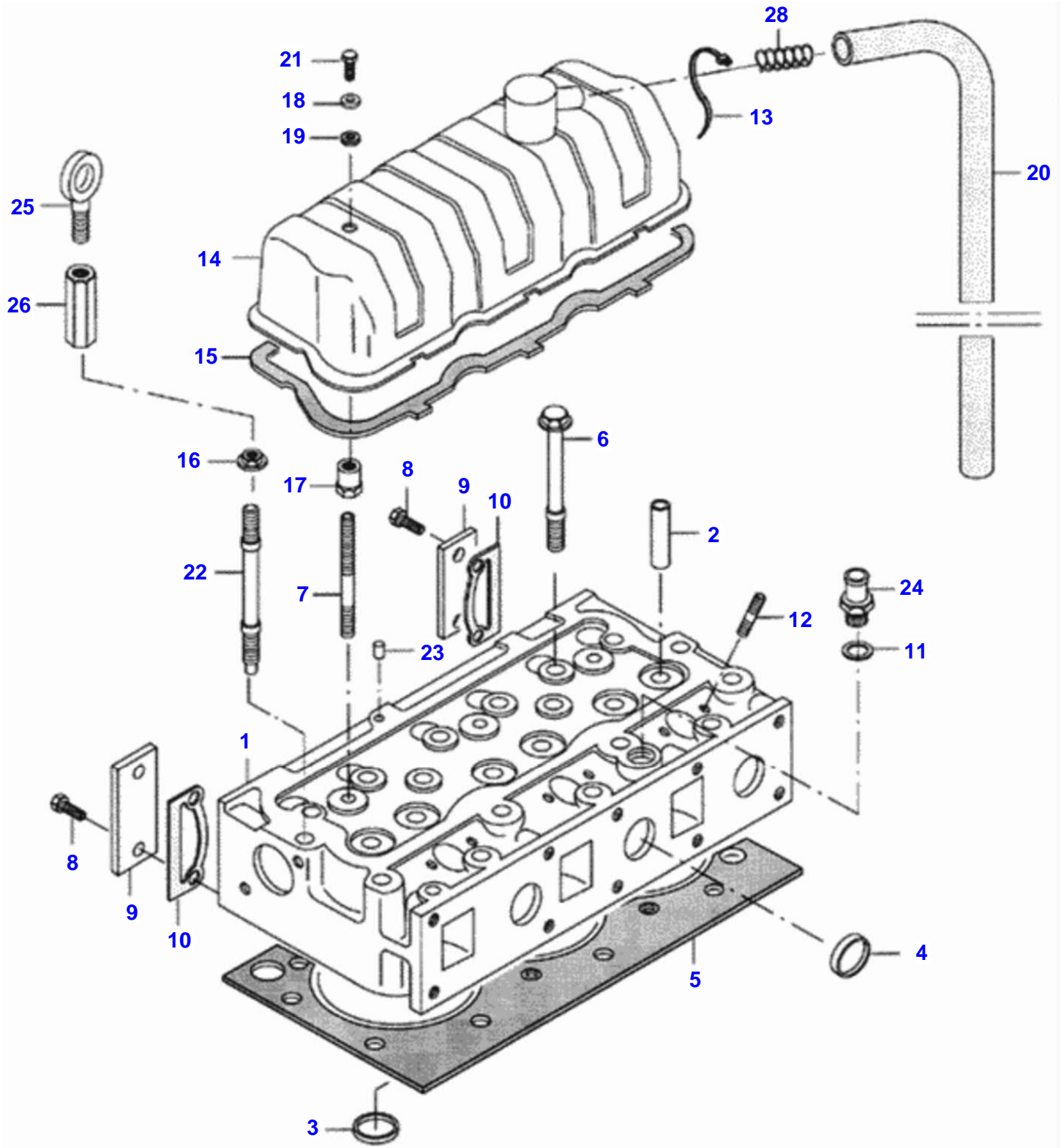
**<https://www.ebooklibonline.com>**



## Flywheel And Gear Rim

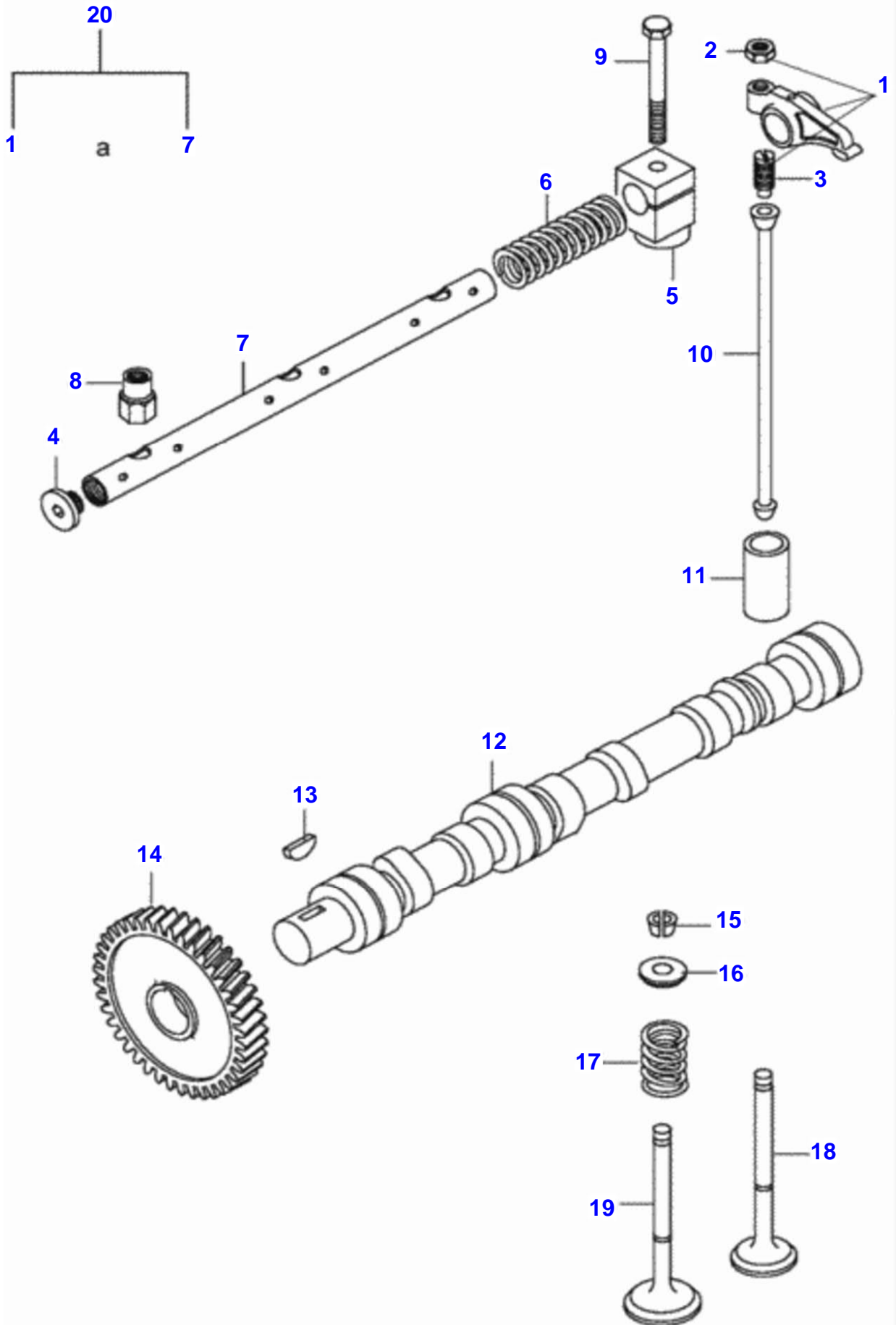
Item	Part Number	Qty	Description	Comments
11	V836752443	1	Housing	
12	V598359850	2	Pin	
13	V581705440	2	Bolt	
14	V528902220	7	Bolt	
15	V581705030	6	Screw	
16	V528801800	3	Screw	
17	V500951000	3	Washer	
18	V614500002	1	Seal	S2
19	V836007572	1	Plug	
20	V453064283	1	Flywheel	
21	V836117970	1	Starter Ring	Z=128
22	V528902230	7	Screw	
28	V504601000	3	Nut	
29	V546801800	3	Dog	
31	V31085500	1	Right Gasket	
	V31085600	1	Left Gasket	

BL 77 TRACTOR (BR) - C007702  
00000407



## Cylinder Head

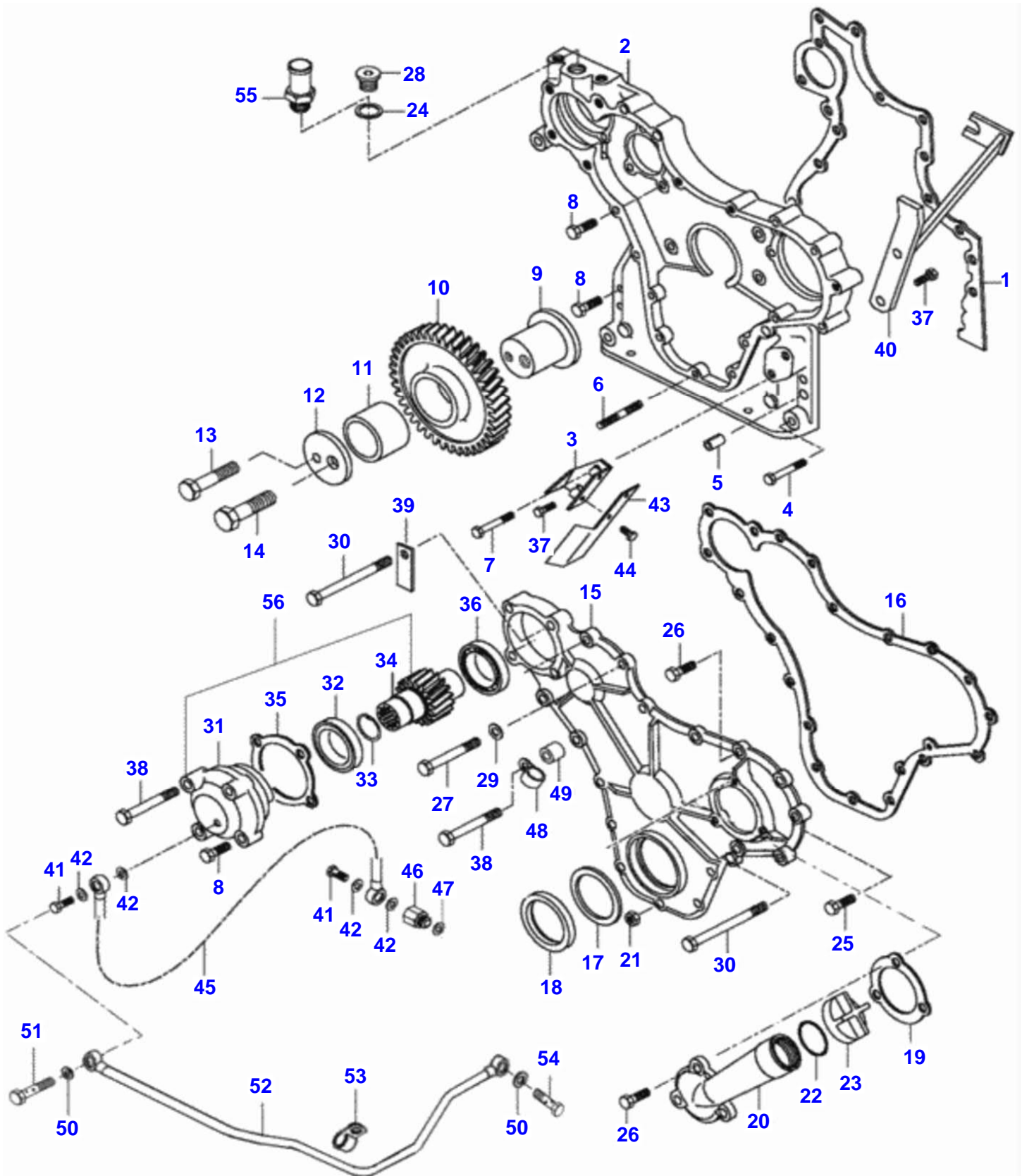
Item	Part Number	Qty	Description	Comments
1	V836855381	1	Head	
2	V836673175	6	Valve Guide	
3	V836647600	3	Valve Seat	
4	V836647942	5	Pad	
5	V837070290	1	Head Gaskets	S1
6	V836659104	5	Bolt	
7	V546801900	2	Dog	
8	V528801800	4	Screw	
9	V836855350	2	Cover	
10	V836855417	2	Gasket	S1
11	V615881822	1	Collet	S1
12	V546901435	6	Dog	
13	V835329746	1	Clamp	
14	V836646359	1	Cover	
15	V836646360	1	Gasket	S1
16	V836647322	2	Nut	
17	V836655406	2	Nut	
18	V836119855	2	Washer	
19	V836012841	2	Washer	S1
20	V836647814	1	Hose	
21	VHA9089	2	Screw	
22	V836859109	2	Dog	
23	V595953360	1	Pin	
24	V836119837	1	Connection	
25	V836640252	1	Eyelet	
26	V836647835	1	Nut	
28	V836659103	1	Spring	



## Valves Mechanism

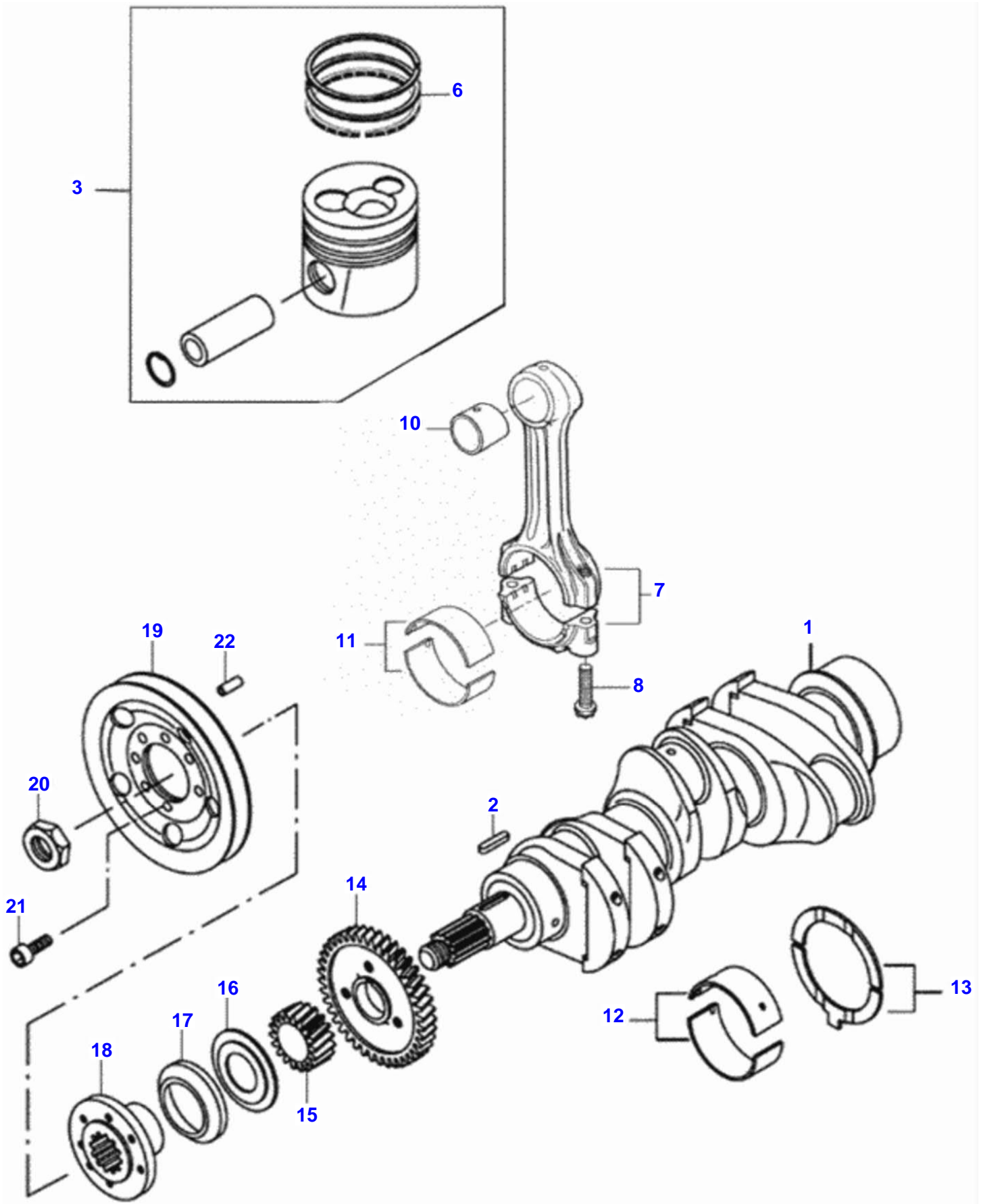
Item	Part Number	Qty	Description	Comments
1	V836667042	6	Complete	
2	V512861000	6	Nut	
3	V837069023	6	Bolt	
4	V837069020	2	Plug	
5	V836666609	3	Bracket	
6	V836655884	2	Spring	
7	V836655870	1	Shaft	
8	V836655406	2	Nut	
9	V529801910	1	Screw	
10	V836655867	6	Rod	
11	V836014264	6	Tappet	
12	V836646374	1	Shaft	
13	V603305760	1	Key	
14	V836646389	1	Gear	
15	V836646382	12	Valve Cotter	
16	V836646381	6	Spring Plate	
17	V837073405	6	Spring	
18	V836646357	3	Valve Exhaust	
19	V836646356	3	Valve Inlet	
20	V836667043	1	Parts Pack	Ref. 1,2,3,4,5,6

BL 77 TRACTOR (BR) - C007702  
00002075



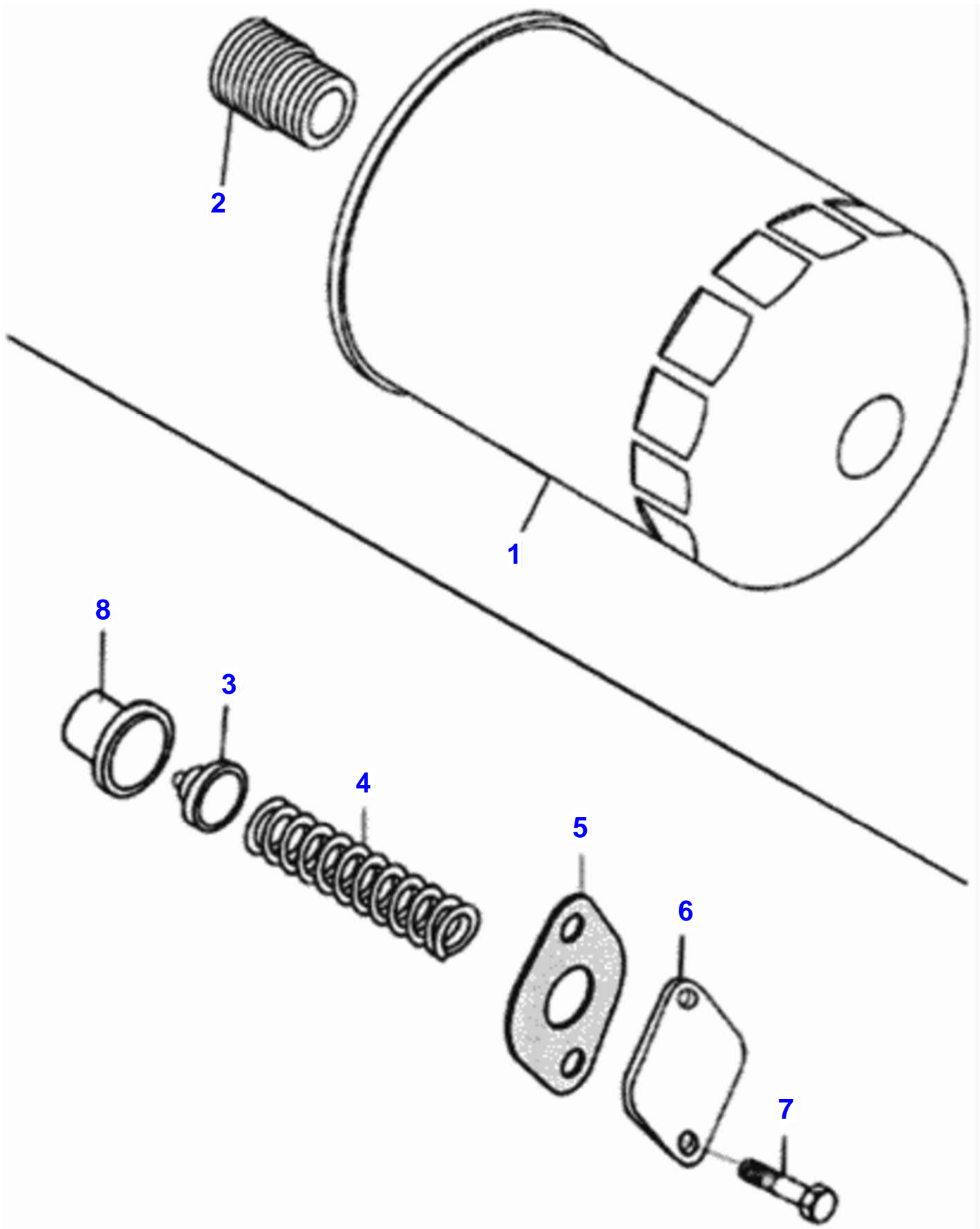
## Gear Housing

Item	Part Number	Qty	Description	Comments
1	V836647419	1	Gasket	S2
2	V836666401	1	Gear Housing	USA
	V836652221	1	Timing Gear Case	
3	V836655720	1	Gauge	
4	V529801440	2	Screw	
5	V598359850	4	Pin	
6	V546801380	5	Dog	
7	V529801450	10	Bolt	
8	V528801400	1	Bolt	
9	V836138356	1	Shaft	
10	V836138354	1	Gear	Ref. 11
11	V836139039	1	Bush	
12	V836129845	1	Flange	
13	V528801910	1	Bolt	
14	V529902720	1	Screw	
15	V836647575	1	Cover	
16	V835336796	1	Gasket	S2
17	V836129782	1	Collet	
18	V614105880	1	Seal	S2
19	V836129946	1	Gasket	S2
20	V835338325	1	Right Tube	
21	V504800800	5	Nut	
22	V614603540	1	Collet	S2
23	V836017927	1	Cover	
	V836655188	1	Pad	USA
24	V615881822	1	Collet	S2
25	V528801420	2	Bolt	
26	VHA6323	5	Screw	
27	V529801470	3	Bolt	
28	V836119851	1	Plug	
29	V836120989	1	Washer	
30	V529801500	2	Screw	
31	V836655230	1	Bearing Housing	
32	VLA1014	1	Bearing	
33	VKG3031	1	Circlip	
34	V836122843	1	Shaft	
35	V835336793	1	Gasket	
36	V610060090	1	Bearing	
37	V528801362	3	Bolt	
38	V529801460	4	Screw	
39	V836083428	1	Fastening Plate	
40	V836664528	1	Bracket	
41	V640435008	2	Bolt	
42	V615870610	1	Washer	
43	V836659093	1	Belt Cover	
44	V528801082	2	Bolt	
45	V82664500	1	Hose	
46	V836655233	1	Connection	
47	V615571014	1	Washer	
48	V602060612	1	Clamp	
49	V836119296	1	Spacer	
50	V615571014	2	Washer	USA
51	V836664212	2	Banjo Bolt	USA
52	V836664543	1	Pipe	USA
53	V836009683	1	Clamp	USA
54	V835330966	1	Screw	USA
55	V836119851	1	Plug	
56	V836655232	1	Assy	Ref. 31 ao 35



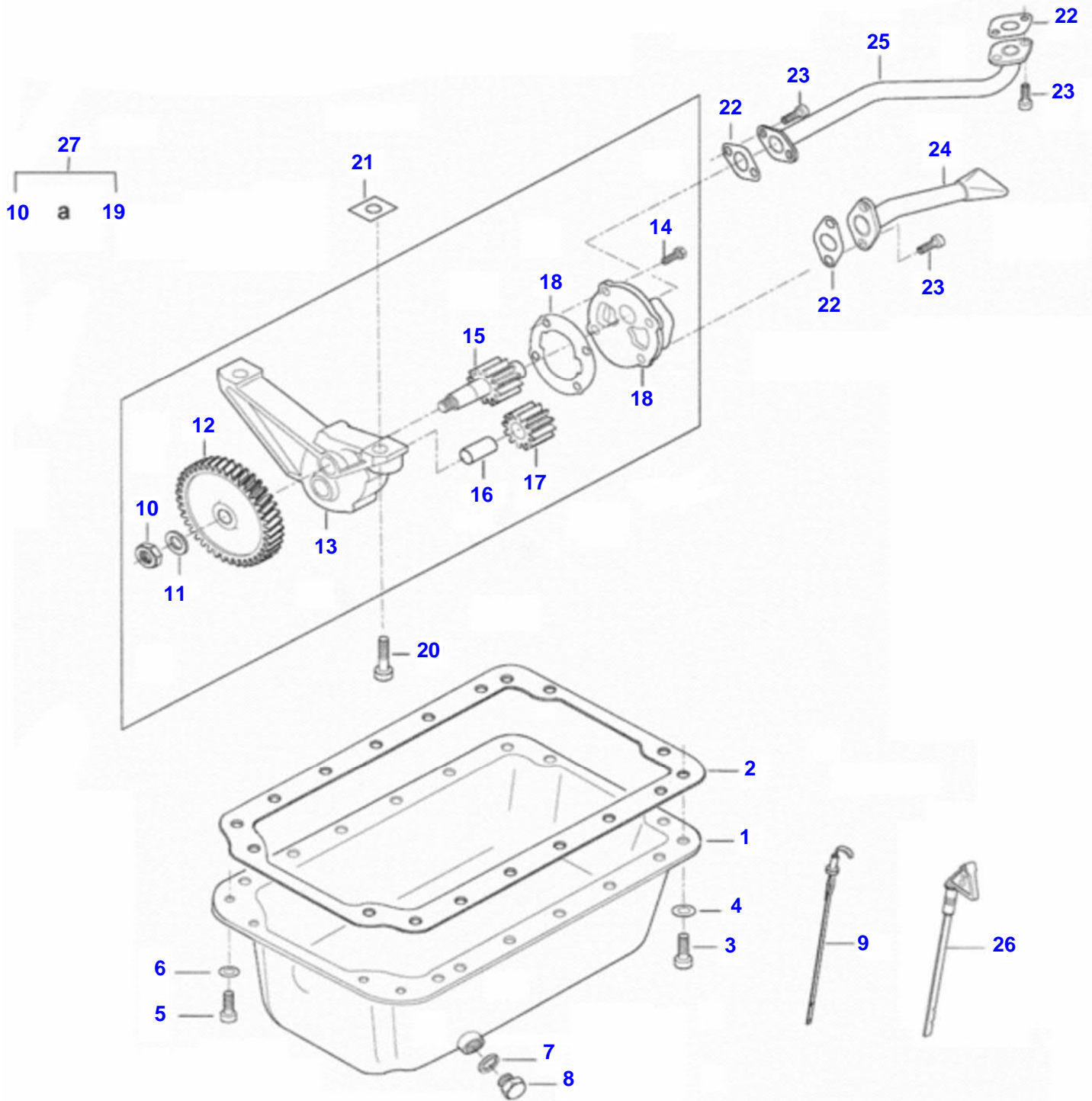
## Crankshaft Mechanism

Item	Part Number	Qty	Description	Comments
1	V836647314	1	Crankshaft	
2	V603345110	1	Key	
3	V836655269	3	Complete Piston	Ref. 6
6	V836640126	3	Piston Ring Set	
7	V82659700	1	Kit, Conrod	
8	V836864141	6	Screw	
10	V836646271	3	Bush	
11	V836112767	3	Slider Bearing	
	V836112765	3	Slider Bearing	
	V836112763	3	Slider Bearing	
	V836112762	3	Slider Bearing	
	V836110552	3	Big End Bearing	
12	V836655536	4	Big-end Bearing	
	V836655539	4	Big-end Bearing	
	V836655538	4	Big-end Bearing	
	V836655537	4	Big-end Bearing	
	V836655514	3	Big-end Bearing	
13	V836120332	2	Washer	0,10mm
	V836120333	2	Washer	0,20mm
	V836119459	2	Washer	
14	V836120019	1	Gear	
15	V836122840	1	Gear	
16	V836129781	1	Ring	
17	V836136271	1	Dustcap	
18	V836846463	1	Hub	
19	V836655449	1	Pulley	
20	V836647310	1	Nut	
21	V581804600	6	Bolt	
22	V595953360	1	Pin	



**Oil Filter**

<b>Item</b>	<b>Part Number</b>	<b>Qty</b>	<b>Description</b>	<b>Comments</b>
1	V836647133	1	Oil Filter	
2	V836647404	1	Connection	
3	V836659522	1	Plate	
4	V836864056	1	Spring	
5	V836322190	1	Gasket	S2
6	V836129849	1	Cover	
7	VHA9230	2	Screw	
8	V836659521	1	Retention	



## Sump

Item	Part Number	Qty	Description	Comments
1	V836664336	1	Oil Sump	
2	V836664515	1	Gasket	S2
3	VHC9334	14	Bolt	M10X16
4	VJD9065	14	Washer	M10
5	V581804580	4	Bolt	M8X16
6	V500950800	4	Washer	M10
7	V615881827	1	Ring	S2
8	V836655493	1	Plug	M18
9	V836014330	1	Measuring	
10	V504861000	1	Nut	M10
11	V836122910	1	Washer	
12	V836652596	1	Gear	
13	V836120195	1	Housing	
14	V528801380	4	Bolt	
15	V836652600	1	Gear	
16	V836120191	1	Shaft	
17	V836120193	1	Gear	
18	V836119796	1	Gasket	S2
19	V836119794	1	Cover	
20	V581705050	2	Bolt	
21	V836007871	1	Spacing Plate	
22	V836008449	3	Gasket	S2
23	V581804600	2	Bolt	
24	V836664495	1	Suction Pipe	
25	V836659624	1	Pressure Tube	
26	V836666908	1	Measuring	TIER II
27	V836652604	1	Built Oil Pump	Ref.10-19



**Suggest:**

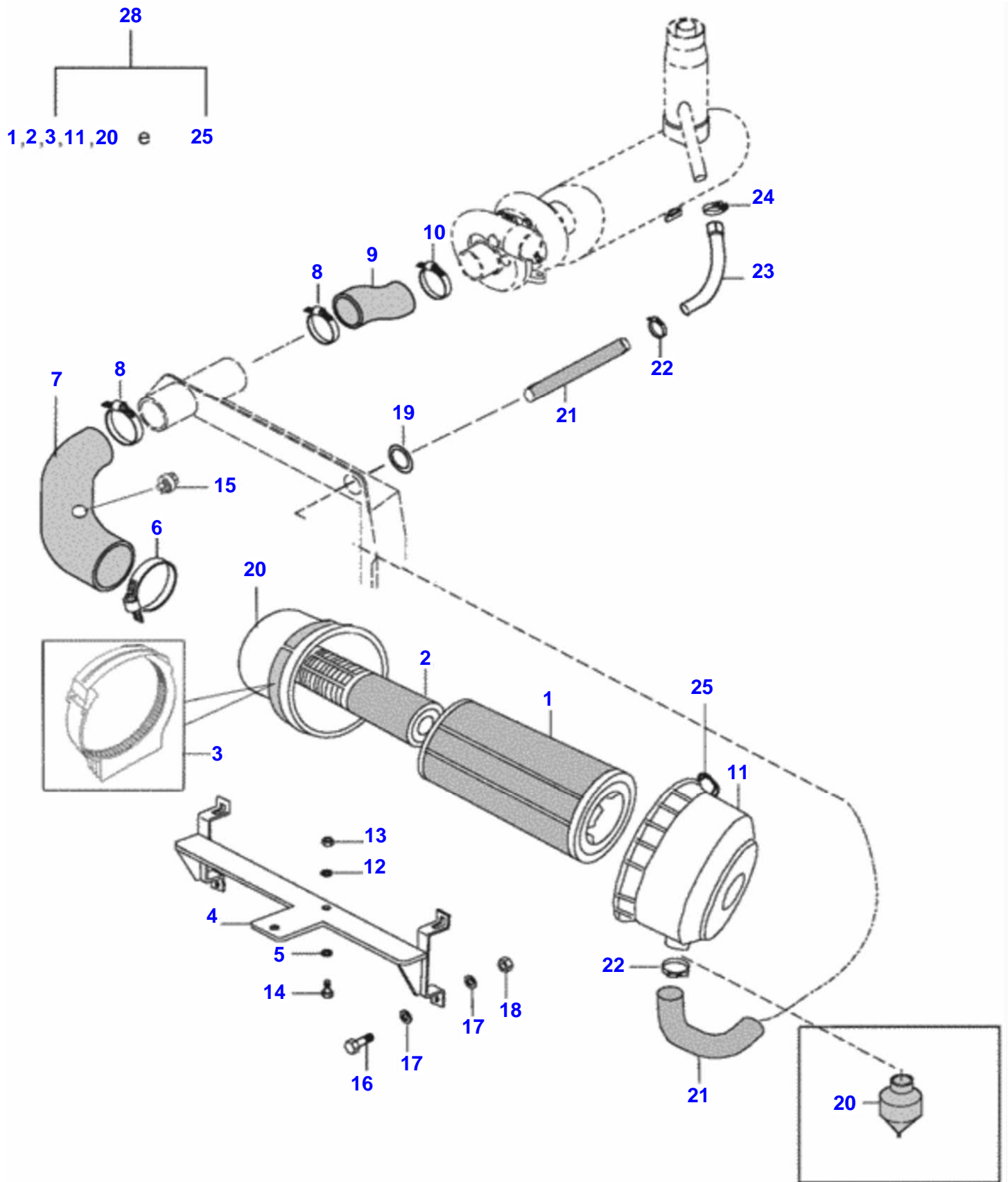
**For more complete manuals. Please go to the home page.**

**<https://www.ebooklibonline.com>**

**If the above button click is invalid. Please download this document first, and then click the above link to download the complete manual.**

**Thank you so much for reading**

BL 77 TRACTOR (BR) - C007702  
00002324



## Air Filter

Item	Part Number	Qty	Description
1	V82642100	1	Principal
2	V82642000	1	Secondary
3	V82639300	1	Staple
4	V82614330	1	Bracket
5	VJD0408	7	Washer
6	VGP3933	1	Clamp
7	V83639100	1	Air Pipe
8	VGP3934	2	Clamp
9	V33469000	1	Hose
10	VGP3942	1	Clamp
11	V82650100	1	Cover
12	V686930	2	Washer
13	VJB1108	3	Nut
14	VHA9230	2	Screw
15	V33389600	1	Sender
16	VHA6313	4	Screw
17	VJD0406	7	Washer
18	VJB1106	3	Washer
19	V33512500	1	Protector Ring
21	V33032800	1	Hose
22	VGP3919	2	Clamp
23	V33079800	1	Pipe
24	V33279500	1	Clamp
25	V82612100	3	Staple
26	V82639200	1	Complete

**<https://www.ebooklibonline.com>**

Hello dear friend!

Thank you very much for reading.

Enter the link into your browser.

The full manual is available for immediate download.

**<https://www.ebooklibonline.com>**