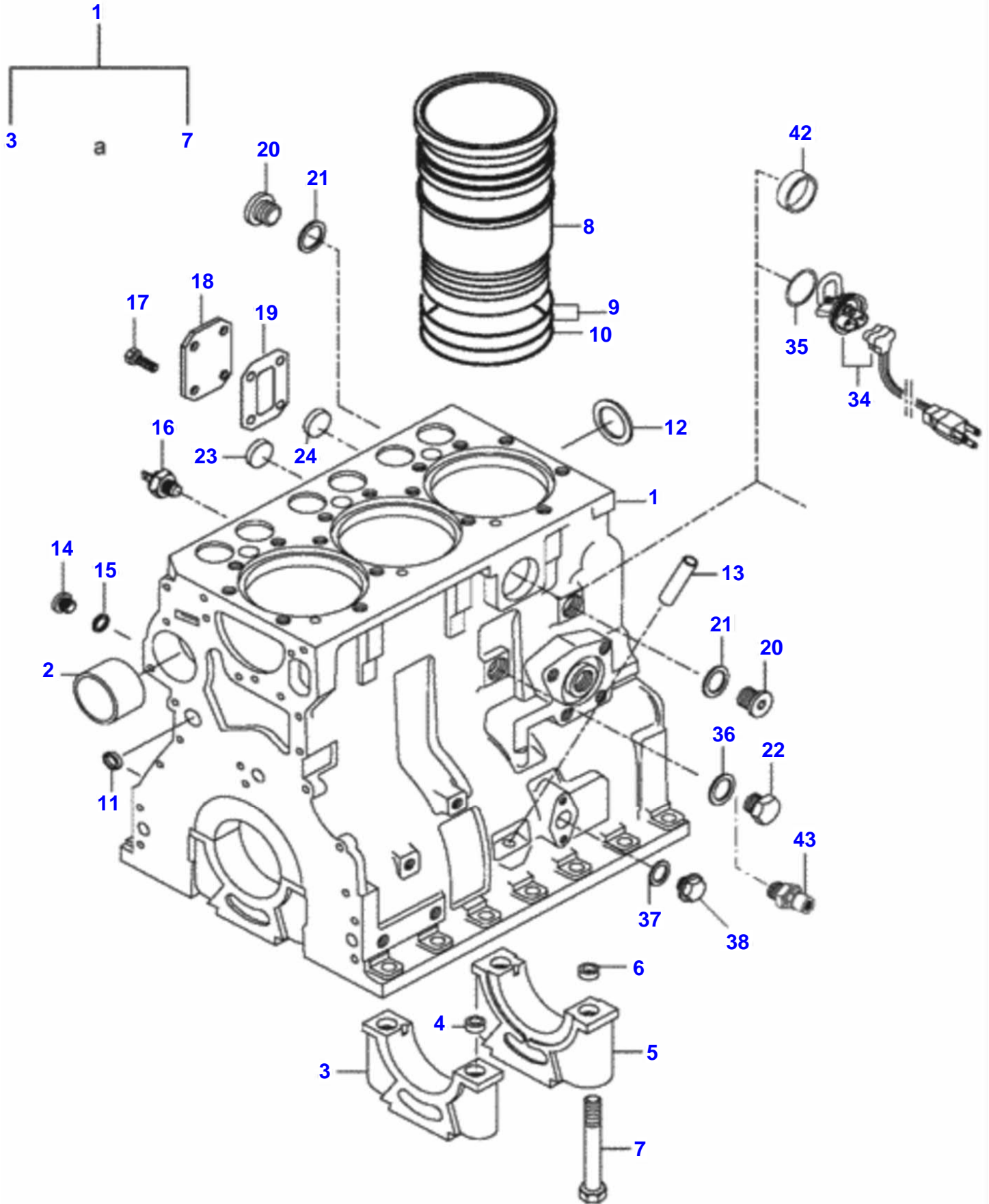


| Page Title | Page Number |
|--------------------------------------|-------------|
| Cylinder Block | 020-0010 |
| Flywheel And Gear Rim | 020-0015 |
| Cylinder Head | 020-0020 |
| Valves Mechanism | 020-0025 |
| Gear Housing | 020-0030 |
| Crankshaft Mechanism | 020-0035 |
| Oil Filter | 020-0040 |
| Sump | 020-0045 |
| Air Filter | 020-0050 |
| Air Filter | 020-0055 |
| Inlet And Exhaust Manifold - Tier I | 020-0060 |
| Inlet And Exhaust Manifold | 020-0065 |
| Inlet And Exhaust Manifold - Tier Ii | 020-0070 |
| Muffler | 020-0075 |
| Muffler | 020-0080 |
| Turbocharger | 020-0085 |
| Sedimentation Filter | 020-0090 |
| Fuel Filter - Tier Ii | 020-0095 |
| Fuel Filter | 020-0100 |
| Injection Pump - Usa | 020-0105 |
| Injection Pump | 020-0110 |
| Throttle System | 020-0115 |
| Fuel Pipes | 020-0120 |
| Radiator | 020-0125 |
| Water Pump And Fan | 020-0130 |
| Gasket Set S1 | 020-0135 |
| Gasket Set S1+S2 | 020-0140 |
| Repair Kit | 020-0145 |

BL 77 TRACTOR (BR) - C007701
00000530



Cylinder Block

| Item | Part Number | Qty | Description | Comments |
|------|-------------|-----|------------------|-----------------|
| 1 | 836667523 | 1 | Assy | |
| 2 | 836322610 | 1 | Bush | |
| 3 | | 4 | Bearing Cover | |
| 4 | 836214478 | 6 | Guide Bushing | |
| 5 | | 1 | Bearing Cover | |
| 6 | 836214478 | 2 | Guide Bushing | |
| 7 | 529903180 | 8 | Screw | |
| 8 | 836647934 | 3 | Liner | Flange s=9,13mm |
| | 836647935 | 3 | Liner | Flange s=9,23mm |
| | 836666990 | 3 | Liner | Flange s=9,03mm |
| | 836647933 | 3 | Liner | Flange s=9,08mm |
| 9 | 836647502 | 6 | Seal Ring | S2 |
| 10 | 836647503 | 3 | Seal Ring | S2 |
| 11 | 640016016 | 4 | Plug | |
| 12 | 836529872 | 1 | Pad | |
| 13 | 836014334 | 1 | Pipe | |
| 14 | 640325110 | 2 | Plug | |
| 15 | 615571014 | 2 | Seal Ring | S2 |
| 16 | 89609400 | 1 | Temp. Sensor | |
| | 836666797 | 1 | Pressure Switch | USA |
| 17 | 528801362 | 2 | Bolt | |
| 18 | 836647400 | 1 | Cover | |
| | 836659543 | 1 | Cover | |
| 19 | 836647401 | 1 | Gasket | S2 |
| | 836659544 | 1 | Gasket | S2 |
| 20 | 640325018 | 2 | Plug | |
| 21 | KH3617 | 2 | Seal Ring | |
| 22 | 836019756 | 1 | Plug | |
| 23 | 640016018 | 1 | Plug | |
| 24 | 640016012 | 1 | Plug | |
| 34 | 836640935 | 1 | Endurance | 600W 120V. CDN |
| 35 | 836640999 | 1 | O-Ring | USA |
| 36 | 615881824 | 1 | O-Ring | |
| 37 | 615881216 | 1 | Collet | |
| 38 | 640305012 | 1 | Plug | |
| 42 | 640016040 | 1 | Plug | |
| 43 | 836664377 | 1 | Connection | |
| 999 | 836640289 | 1 | Kit, Joint | S2 |
| | 836640356 | 1 | Gasket Set S1+S2 | S1+S2 |

<https://www.ebooklibonline.com>

Hello dear friend!

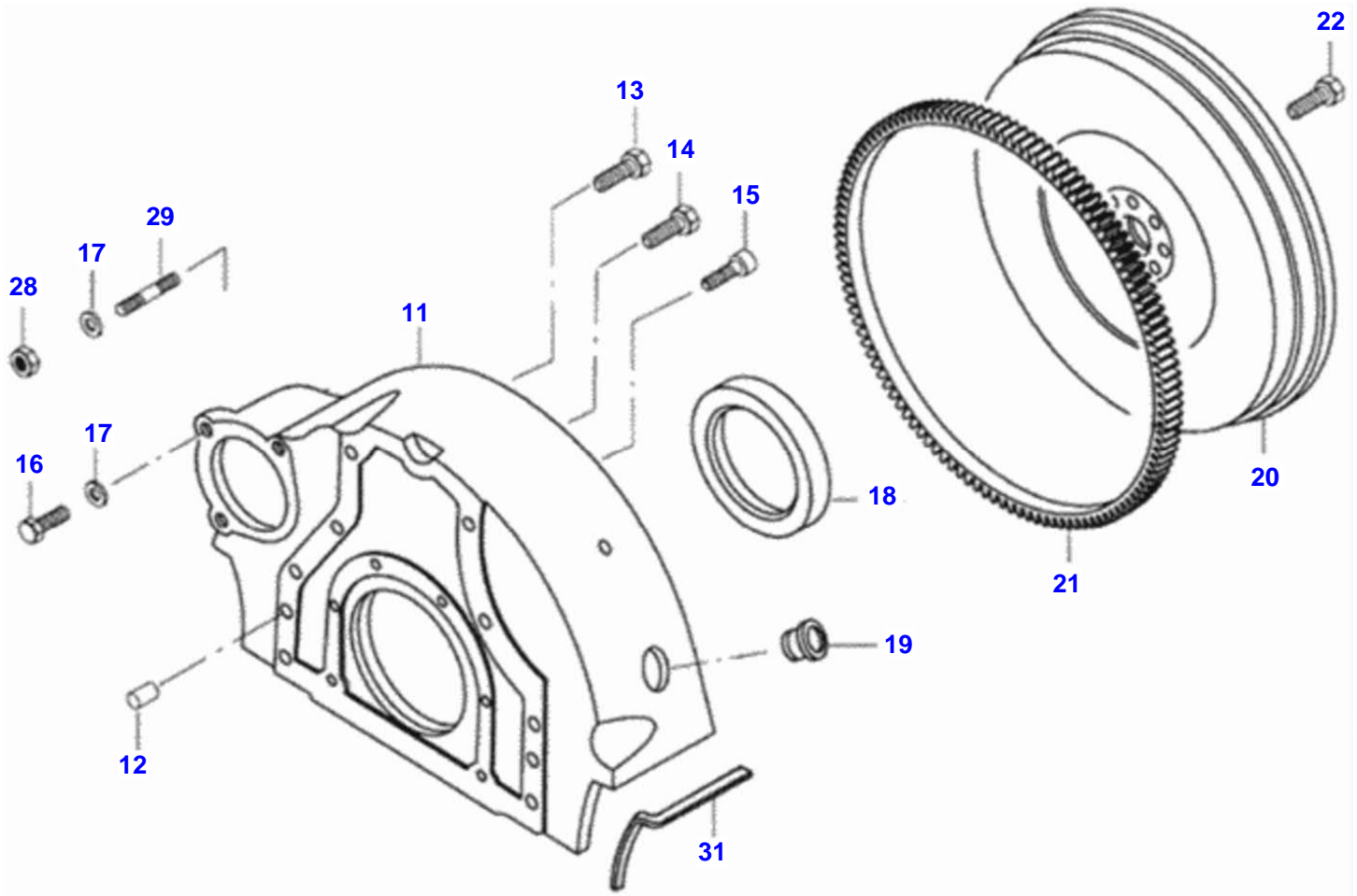
Thank you very much for reading.

Enter the link into your browser.

The full manual is available for immediate download.

<https://www.ebooklibonline.com>

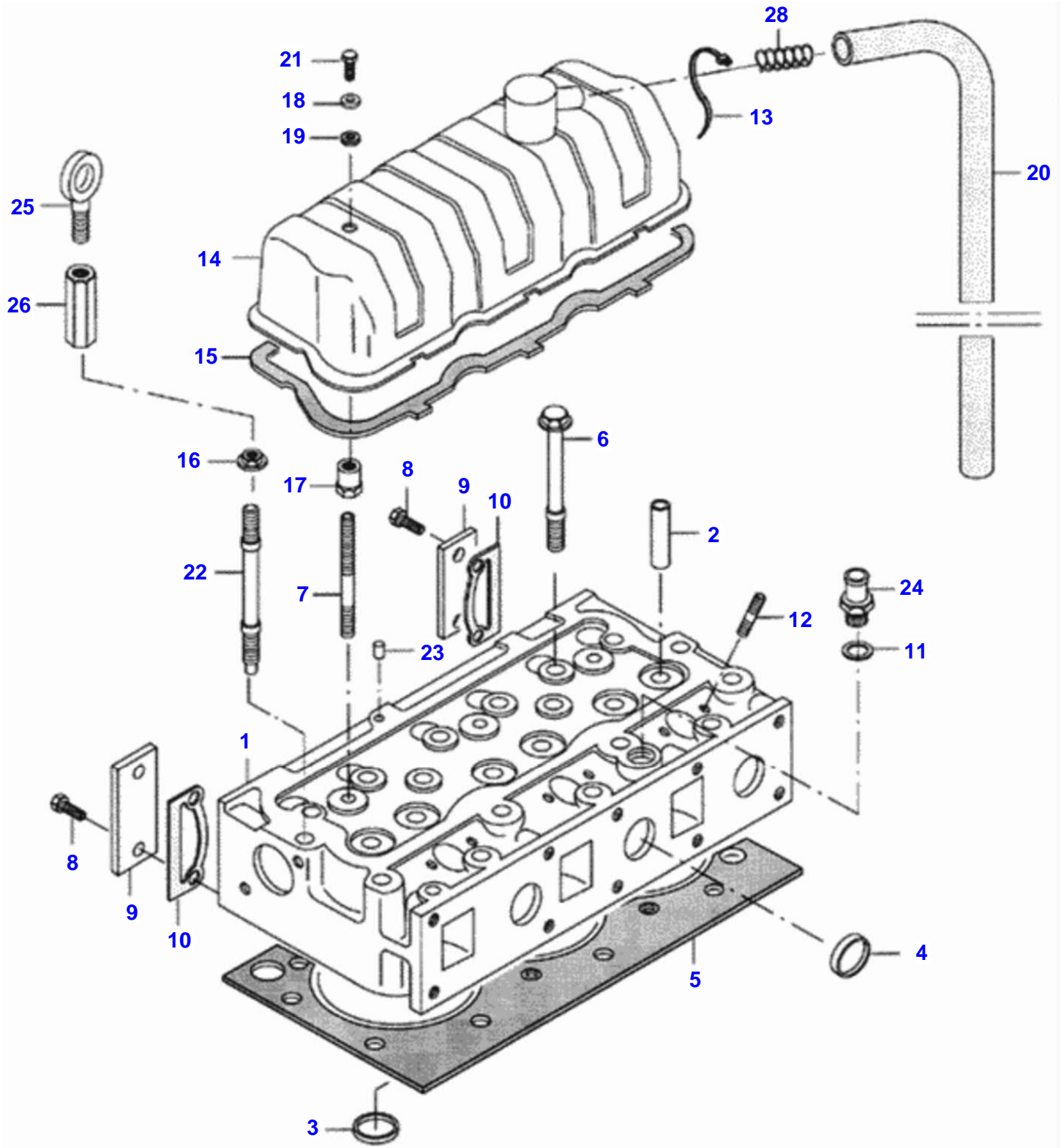
BL 77 TRACTOR (BR) - C007701
00000406



Flywheel And Gear Rim

| Item | Part Number | Qty | Description | Comments |
|------|-------------|-----|--------------|----------|
| 11 | 836752443 | 1 | Housing | |
| 12 | 598359850 | 2 | Pin | |
| 13 | 581705440 | 2 | Bolt | |
| 14 | 528902220 | 7 | Bolt | |
| 15 | 581705030 | 6 | Screw | |
| 16 | 528801800 | 3 | Screw | |
| 17 | 500951000 | 3 | Washer | |
| 18 | 837074841 | 1 | Seal | S2 |
| 19 | 836007572 | 1 | Plug | |
| 20 | 453064283 | 1 | Flywheel | |
| 21 | 836117970 | 1 | Starter Ring | Z=128 |
| 22 | 528902230 | 7 | Screw | |
| 28 | 504601000 | 3 | Nut | |
| 29 | 546801800 | 3 | Stud | |
| 31 | 31085500 | 1 | Right Gasket | |
| | 31085600 | 1 | Left Gasket | |

BL 77 TRACTOR (BR) - C007701
00000407



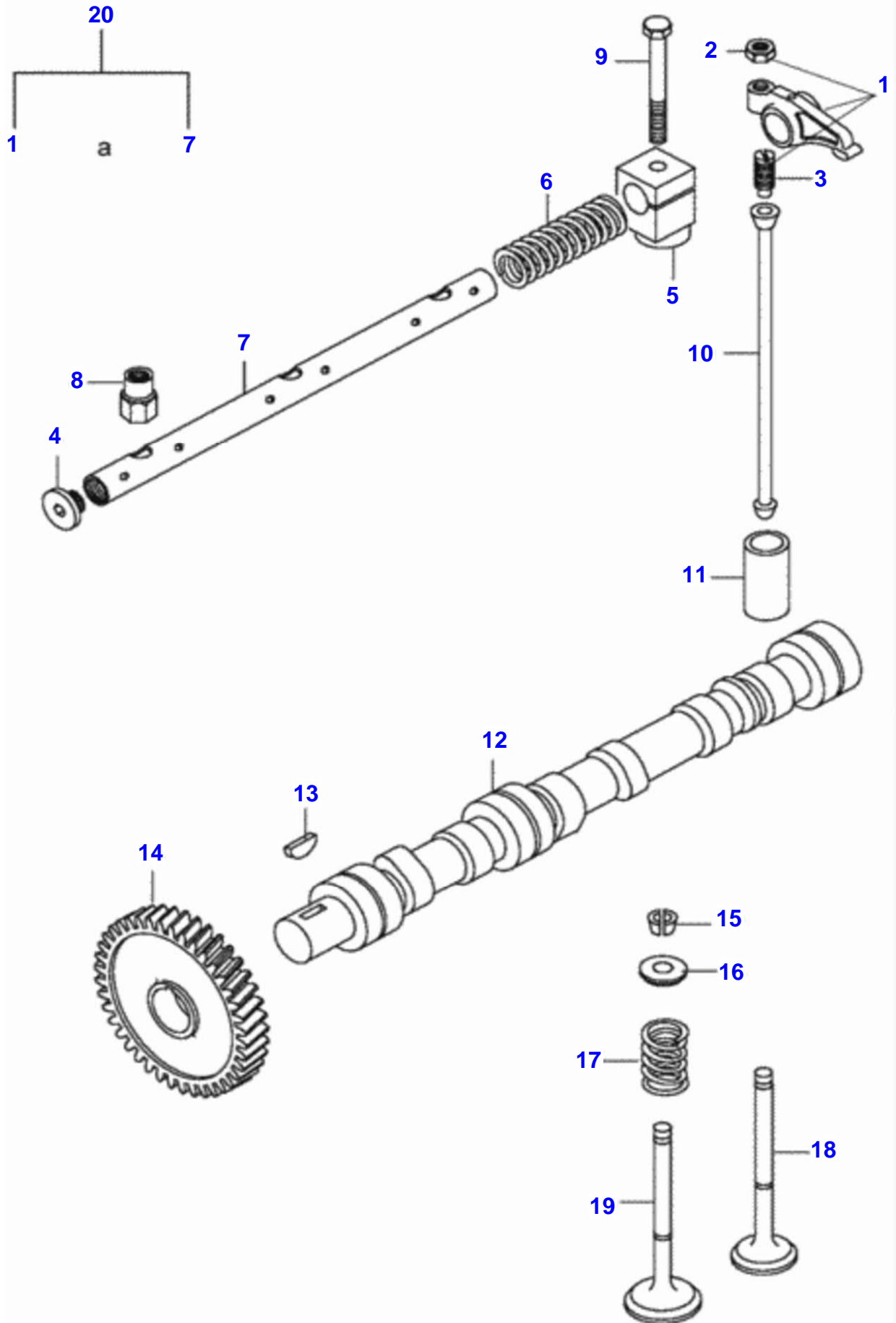
Valtra**BL 77 TRACTOR (BR) - C007701**

C007701

Page020-0020

Cylinder Head

| Item | Part Number | Qty | Description | Comments |
|------|-------------|-----|-------------|----------|
| 1 | 836855381 | 1 | Head | |
| 2 | 836673175 | 6 | Valve Guide | |
| 3 | 836647600 | 3 | Valve Seat | |
| 4 | 836647942 | 5 | Pad | |
| 5 | 837084523 | 1 | Head Gasket | S1 |
| 6 | 836659104 | 5 | Bolt | |
| 7 | 546801900 | 2 | Stud | |
| 8 | 528801800 | 4 | Screw | |
| 9 | 836855350 | 2 | Cover | |
| 10 | 836855417 | 2 | Gasket | S1 |
| 11 | 615881822 | 1 | Collet | S1 |
| 12 | 546901435 | 6 | Stud | |
| 13 | 835329746 | 1 | Clamp | |
| 14 | 836646359 | 1 | Cover | |
| 15 | 836646360 | 1 | Gasket | S1 |
| 16 | 836647322 | 2 | Nut | |
| 17 | 836655406 | 2 | Nut | |
| 18 | 836119855 | 2 | Washer | |
| 19 | 836012841 | 2 | Washer | S1 |
| 20 | 836647814 | 1 | Hose | |
| 21 | HA9089 | 2 | Screw | |
| 22 | 836859109 | 2 | Stud | |
| 23 | 595953360 | 1 | Pin | |
| 24 | 836119837 | 1 | Connection | |
| 25 | 836640252 | 1 | Eyelet | |
| 26 | 836647835 | 1 | Nut | |
| 28 | 836659103 | 1 | Spring | |



Valtra**BL 77 TRACTOR (BR) - C007701**

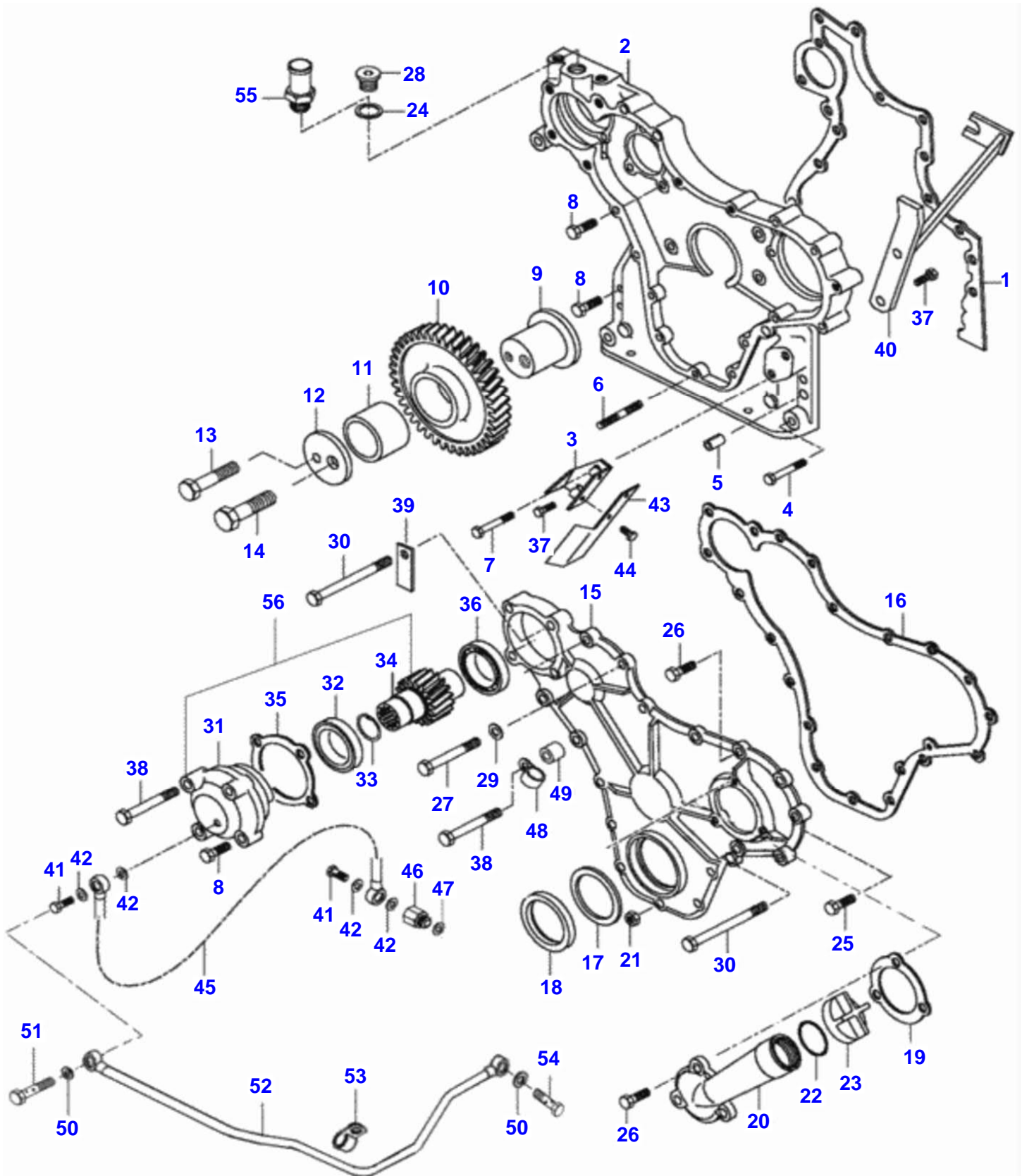
C007701

Page020-0025

Valves Mechanism

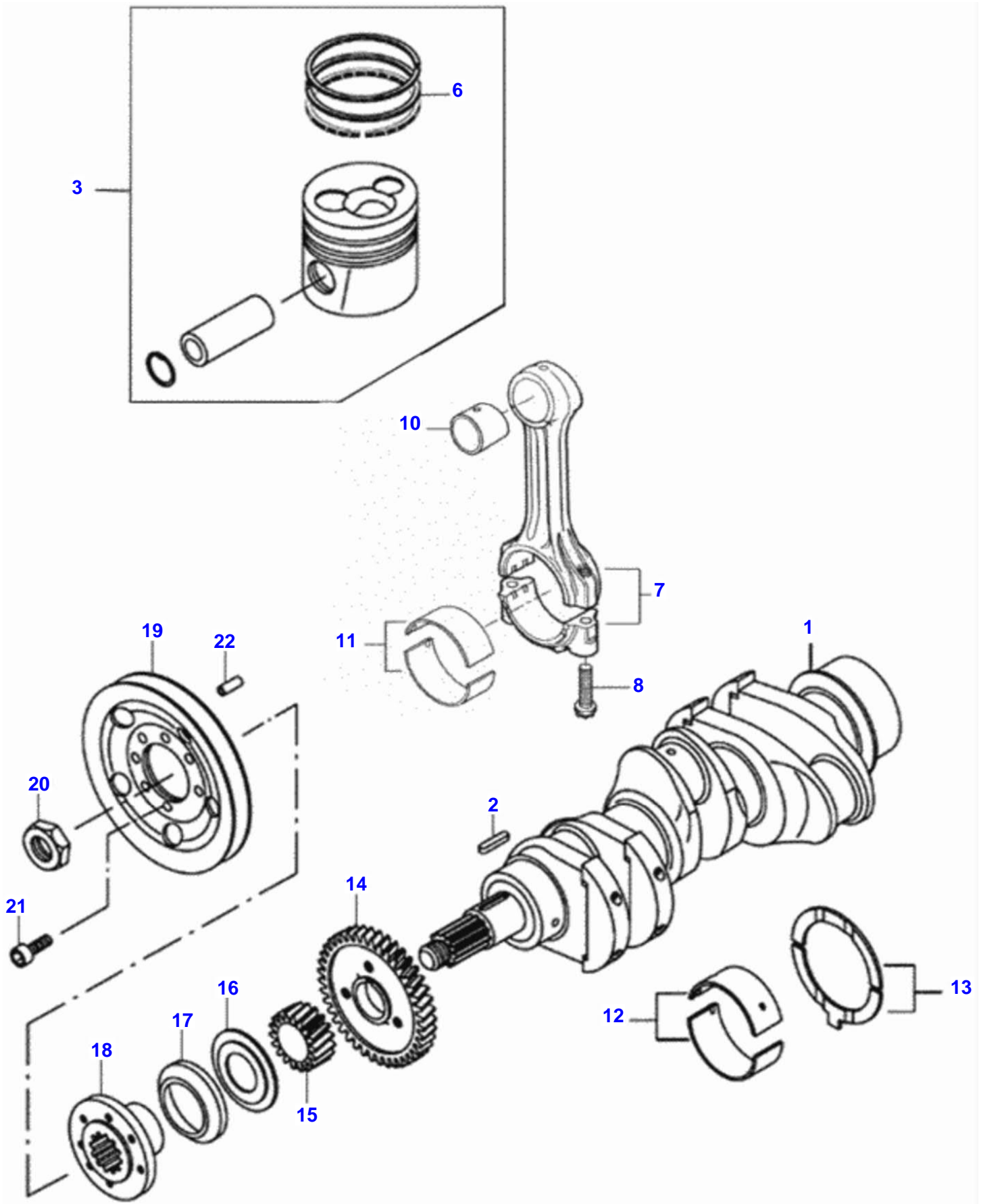
| Item | Part Number | Qty | Description | Comments |
|-------------|--------------------|------------|--------------------|------------------|
| 1 | 836667042 | 6 | Complete | |
| 2 | 512861000 | 6 | Nut | |
| 3 | 837069023 | 6 | Bolt | |
| 4 | 837069020 | 2 | Plug | |
| 5 | 836666609 | 3 | Bracket | |
| 6 | 836655884 | 2 | Spring | |
| 7 | 836655870 | 1 | Shaft | |
| 8 | 836655406 | 2 | Nut | |
| 9 | 529801910 | 1 | Screw | |
| 10 | 836655867 | 6 | Push Rod | |
| 11 | 836014264 | 6 | Tappet | |
| 12 | 836646374 | 1 | Camshaft | |
| 13 | 603305760 | 1 | Key | |
| 14 | 836646389 | 1 | Gear | |
| 15 | 836646382 | 12 | Valve Cotter | |
| 16 | 836646381 | 6 | Spring Plate | |
| 17 | 837073405 | 6 | Spring | |
| 18 | 836646357 | 3 | Valve Exhaust | |
| 19 | 836646356 | 3 | Valve Inlet | |
| 20 | 836667043 | 1 | Valve Mechanism | Ref. 1,2,3,4,5,6 |

BL 77 TRACTOR (BR) - C007701
00002075



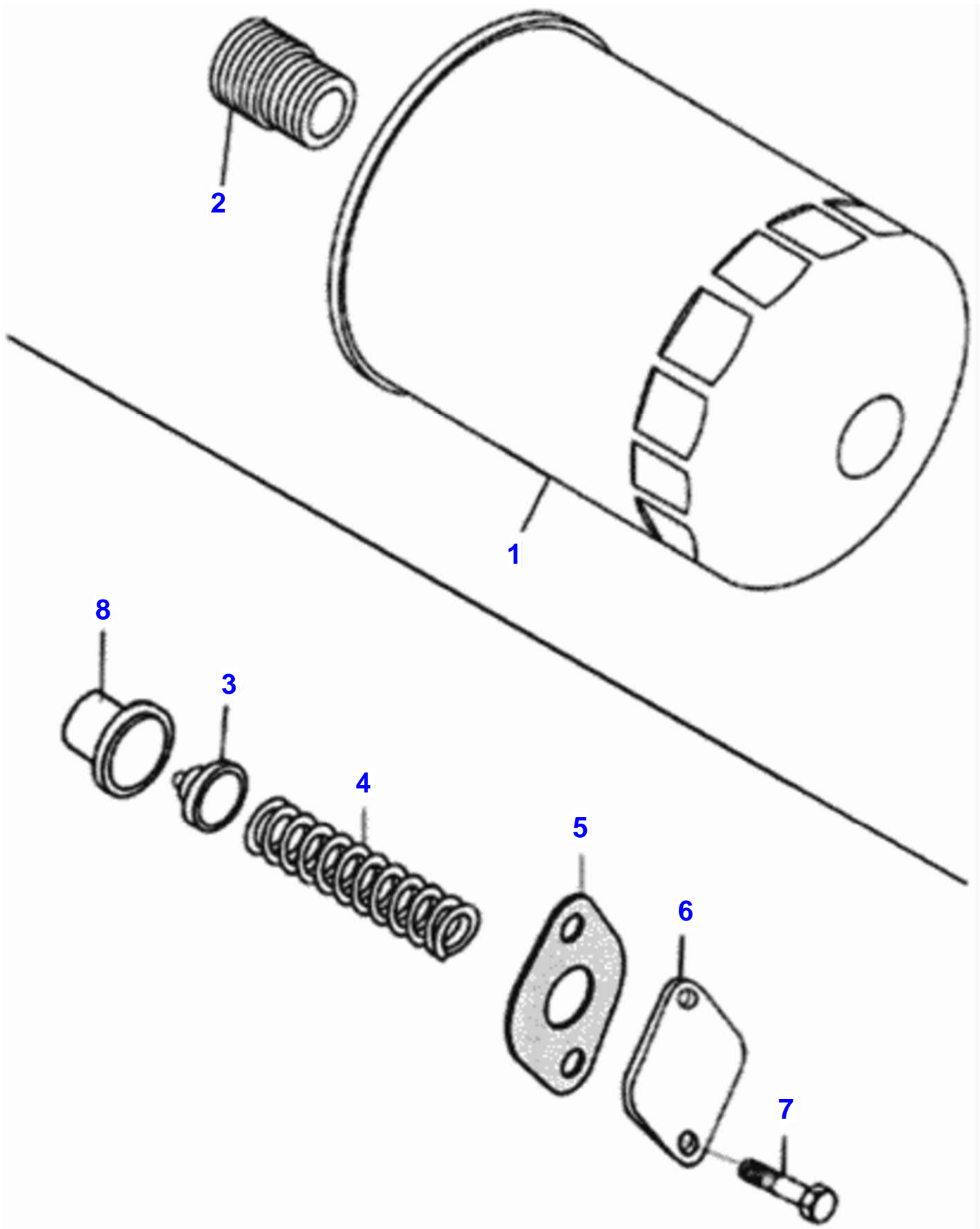
Gear Housing

| Item | Part Number | Qty | Description | Comments |
|------|-------------|-----|------------------|---------------|
| 1 | 836647419 | 1 | Gasket | S2 |
| 2 | 836666401 | 1 | Gear Housing | USA |
| | 836652221 | 1 | Timing Gear Case | |
| 3 | 836655720 | 1 | Gauge | |
| 4 | 529801440 | 2 | Screw | |
| 5 | 598359850 | 4 | Pin | |
| 6 | 546801380 | 5 | Stud | |
| 7 | 529801450 | 10 | Bolt | |
| 8 | 528801400 | 1 | Bolt | |
| 9 | 836138356 | 1 | Shaft | |
| 10 | 836138354 | 1 | Gear | Ref. 11 |
| 11 | 836139039 | 1 | Bush | |
| 12 | 836129845 | 1 | Attachment Cover | |
| 13 | 528801910 | 1 | Bolt | |
| 14 | 529902720 | 1 | Screw | |
| 15 | 836647575 | 1 | Cover | |
| 16 | 835336796 | 1 | Gasket | S2 |
| 17 | 836129782 | 1 | Collet | |
| 18 | 614105880 | 1 | Seal | S2 |
| 19 | 836129946 | 1 | Gasket | S2 |
| 20 | 835338325 | 1 | Right Tube | |
| 21 | 504800800 | 5 | Nut | |
| 22 | 614603540 | 1 | O Ring | S2 |
| 23 | 836017927 | 1 | Cover | |
| | 836655188 | 1 | Pad | USA |
| 24 | 615881822 | 1 | Collet | S2 |
| 25 | 528801420 | 2 | Bolt | |
| 26 | HA6323 | 5 | Screw | |
| 27 | 529801470 | 3 | Bolt | |
| 28 | 836119851 | 1 | Left Connection | |
| 29 | 836120989 | 1 | Double | |
| 30 | 529801500 | 2 | Screw | |
| 31 | 836655230 | 1 | Bearing Housing | |
| 32 | LA1014 | 1 | Bearing | |
| 33 | KG3031 | 1 | Circlip | |
| 34 | 836674533 | 1 | Gear Z - 38 | |
| 35 | 835336793 | 1 | Gasket | |
| 36 | 610060090 | 1 | Bearing | |
| 37 | 528801362 | 3 | Bolt | |
| 38 | 529801460 | 4 | Screw | |
| 39 | 836083428 | 1 | Fastening Plate | |
| 40 | 836664528 | 1 | Bracket | |
| 41 | 640435008 | 2 | Bolt | |
| 42 | 615870610 | 1 | Seal Ring | |
| 43 | 836659093 | 1 | Belt Cover | |
| 44 | 528801082 | 2 | Bolt | |
| 45 | 82664500 | 1 | Hose | |
| 46 | 836655233 | 1 | Connection | |
| 47 | 615571014 | 1 | Seal Ring | |
| 48 | 602060612 | 1 | Clamp | |
| 49 | 836119296 | 1 | Spacer | |
| 50 | 615571014 | 2 | Seal Ring | USA |
| 51 | 836664212 | 2 | Banjo Bolt | USA |
| 52 | 836664543 | 1 | Pipe | USA |
| 53 | 836009683 | 1 | Clamp | USA |
| 54 | 835330966 | 1 | Screw | USA |
| 55 | 836119851 | 1 | Left Connection | |
| 56 | 836655232 | 1 | Assy | Ref. 31 ao 35 |



Crankshaft Mechanism

| Item | Part Number | Qty | Description | Comments |
|------|-------------|-----|-----------------|----------|
| 1 | 837074337 | 1 | Crankshaft | |
| 2 | 603345110 | 1 | Key | |
| 3 | 836655269 | 3 | Complete Piston | Ref. 6 |
| 6 | 836640126 | 3 | Piston Ring Set | |
| 7 | 82659700 | 1 | Kit, Conrod | |
| 8 | 836864141 | 6 | Screw | |
| 10 | 836646271 | 3 | Bush | |
| 11 | 836112767 | 3 | Slider Bearing | 1,50mm |
| | 836112765 | 3 | Slider Bearing | 1,00mm |
| | 836112763 | 3 | Slider Bearing | 0,50mm |
| | 836112762 | 3 | Slider Bearing | 0,25mm |
| | 836110552 | 3 | Big-End | |
| 12 | 836655536 | 4 | Big-end Bearing | |
| | 836655539 | 4 | Big-end Bearing | |
| | 836655538 | 4 | Big-end Bearing | |
| | 836655537 | 4 | Big-end Bearing | |
| | 836655514 | 3 | Big-end Bearing | |
| 13 | 836120332 | 2 | Washer | 0,10mm |
| | 836120333 | 2 | Washer | 0,20mm |
| | 836119459 | 2 | Stop Ring | |
| 14 | 836120019 | 1 | Gear | |
| 15 | 836122840 | 1 | Gear | |
| 16 | 836129781 | 1 | Ring | |
| 17 | 836136271 | 1 | Dustcap | |
| 18 | 836846463 | 1 | Hub | |
| 19 | 836655449 | 1 | Pulley | |
| 20 | 836647310 | 1 | Nut | |
| 21 | 581804600 | 6 | Bolt | |
| 22 | 595953360 | 1 | Pin | |





Suggest:

For more complete manuals. Please go to the home page.

<https://www.ebooklibonline.com>

If the above button click is invalid. Please download this document first, and then click the above link to download the complete manual.

Thank you so much for reading

Valtra

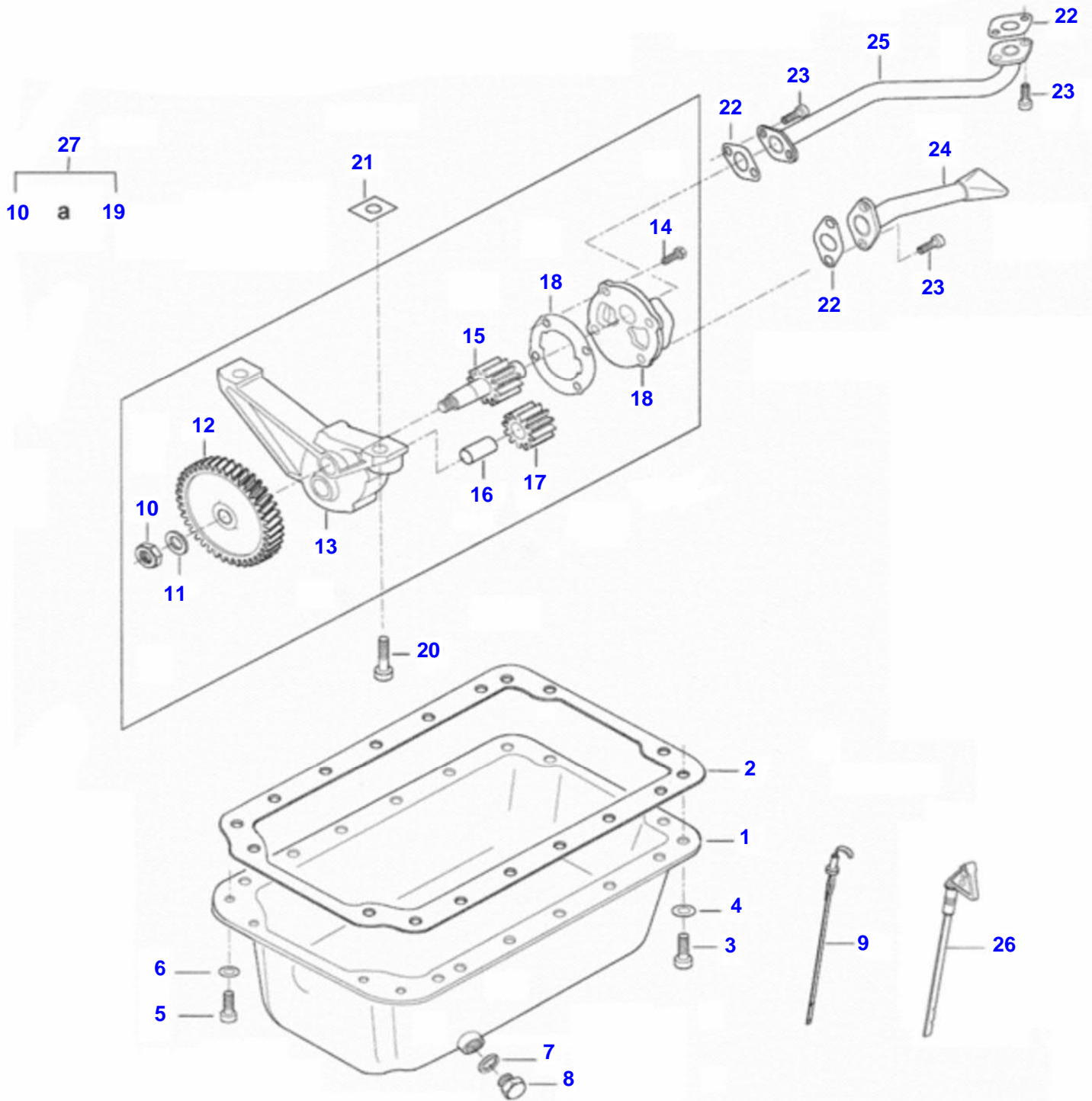
BL 77 TRACTOR (BR) - C007701

C007701

Oil Filter

Page020-0040

| Item | Part Number | Qty | Description | Comments |
|------|-------------|-----|-------------|----------|
| 1 | 836647133 | 1 | Oil Filter | |
| 2 | 836647404 | 1 | Connection | |
| 3 | 836659522 | 1 | Command | |
| 4 | 836864056 | 1 | Spring | |
| 5 | 836322190 | 1 | Gasket | S2 |
| 6 | 836129849 | 1 | Cover | |
| 7 | HA9230 | 2 | Screw | |
| 8 | 836659521 | 1 | Intake | |



<https://www.ebooklibonline.com>

Hello dear friend!

Thank you very much for reading.

Enter the link into your browser.

The full manual is available for immediate download.

<https://www.ebooklibonline.com>