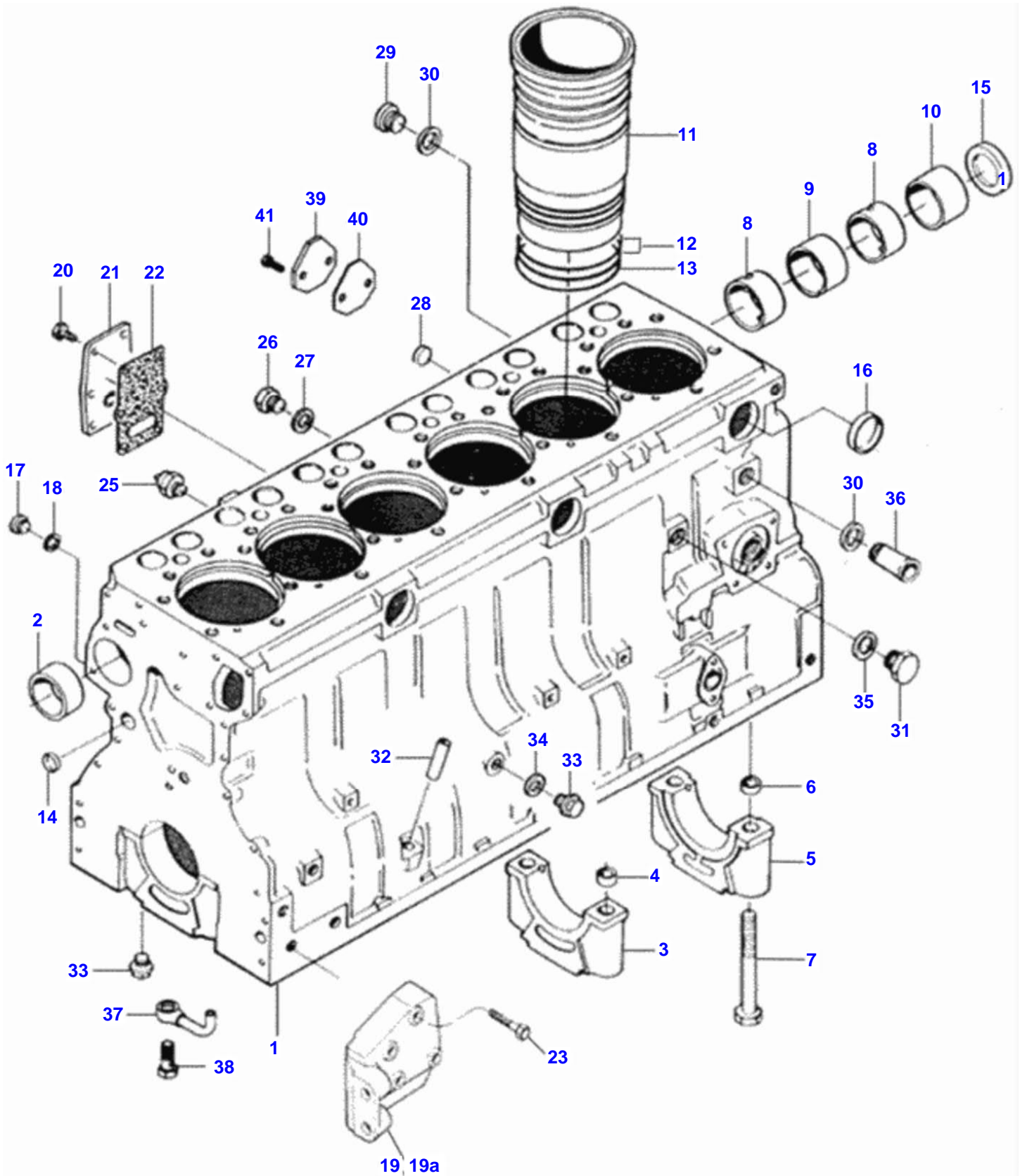


Page Title	Page Number
Cylinder Block	020-0010
Flywheel And Housing	020-0015
Cylinder Head	020-0020
Valve Mechanism	020-0025
Crankshaft Mechanism	020-0030
Front Cover	020-0035
Oil Cooler	020-0040
Sump	020-0045
Air Filter	020-0050
Inlet And Exhaust Manifold	020-0055
Muffler And Instalation Air Filter	020-0060
Side Muffler	020-0065
Turbocharger	020-0070
Intercooler System	020-0075
Sedimentation Filter	020-0080
Fuel Filter	020-0085
Injection Pump	020-0090
Throttle System	020-0095
Radiator	020-0100
Water Pump	020-0105
Gasket Set - S1	020-0110
Gasket Kit S1 + S2	020-0115
Engine Repair Kit	020-0120

BH 185i TRACTOR (BR) - C018502  
0000008



## Cylinder Block

Item	Part Number	Qty	Description	Comments
1	V836866110	1	Cylinder Block	Ref. 2-10
2	V836866036	1	Bushing	
	V836866069	1	Bush	
3		6	Bearing Cover	[A]
4	V836214478	12	Guide Bushing	
5		1	Bearing Cover	[A]
6	V836214478	2	Guide Bushing	
7	V529903180	14	Screw	
8	V836852466	2	Bush	
	V836852460	2	Bush	
9	V836852460	1	Bush	
	V836852459	1	Bush	
10	V836852467	1	Bush	
	V836852461	1	Bush	
11	V836647933	6	Liner	s= 9,08mm
	V836647934	6	Liner	s= 9,13mm
	V836666990	6	Liner	s=9,03 std
	V836647935	6	Liner	s= 9,23mm
12	V836647502	12	Collet	S2
13	V836647503	6	Collet	S2
14	V640016016	4	Plug	S2
15	V836852744	1	Plug	
16	V640016040	3	Plug	
17	VGR0261	4	Plug	
18	V615571014	4	Washer	S2
19	V82055800	1	Bracket	
	V836852656	1	Bracket	
20	VHC9326	6	Screw	
21	V836847994	1	Cover	
22	V836322852	1	Cover Gasket	S2
23	V529802682	8	Screw	
25	V887283760	1	Pressure Sensor	
26	VGR0277	1	Plug	
27	VKH3625	1	Collet	S2
28	V640016018	3	Plug	
29	V640325018	1	Plug	
30	V615881822	2	Collet	S2
31	V836019756	1	Plug	
32	V836014334	1	Pipe	
33	V640305012	7	Plug	
34	V615881216	1	Collet	S2
35	VKH3617	1	Collet	S2
36	V82615500	1	Pipe	
37	V836846231	6	Nozzle	
38	V836338601	6	Valve	
39	V836647400	1	Cover	
40	V836647401	1	Gasket	
41	VHA6322	2	Screw	

FOOTNOTE [A] DELIVERED ONLY COMPLETE WITH BLOCK

**<https://www.ebooklibonline.com>**

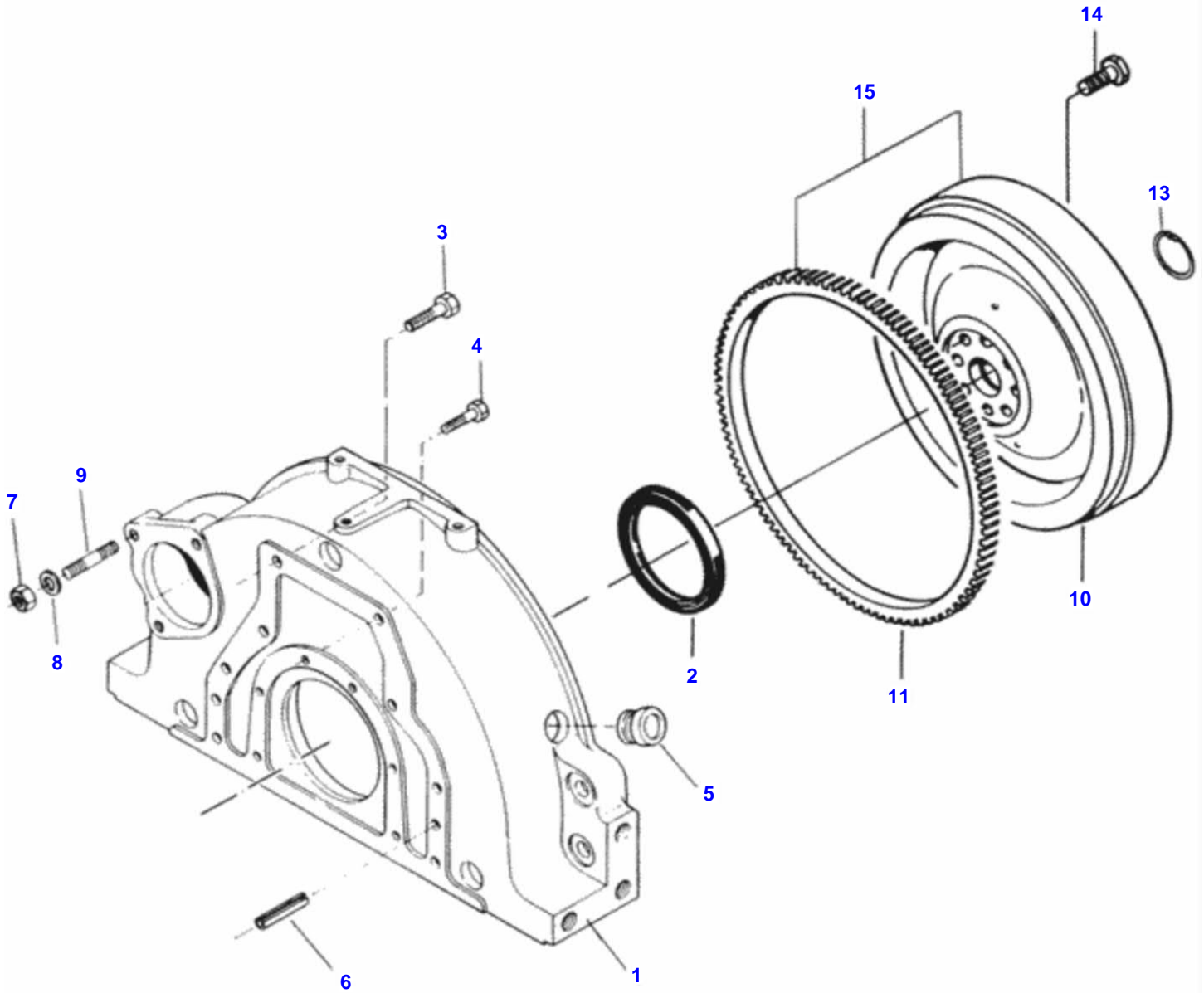
Hello dear friend!

Thank you very much for reading.

Enter the link into your browser.

The full manual is available for immediate download.

**<https://www.ebooklibonline.com>**



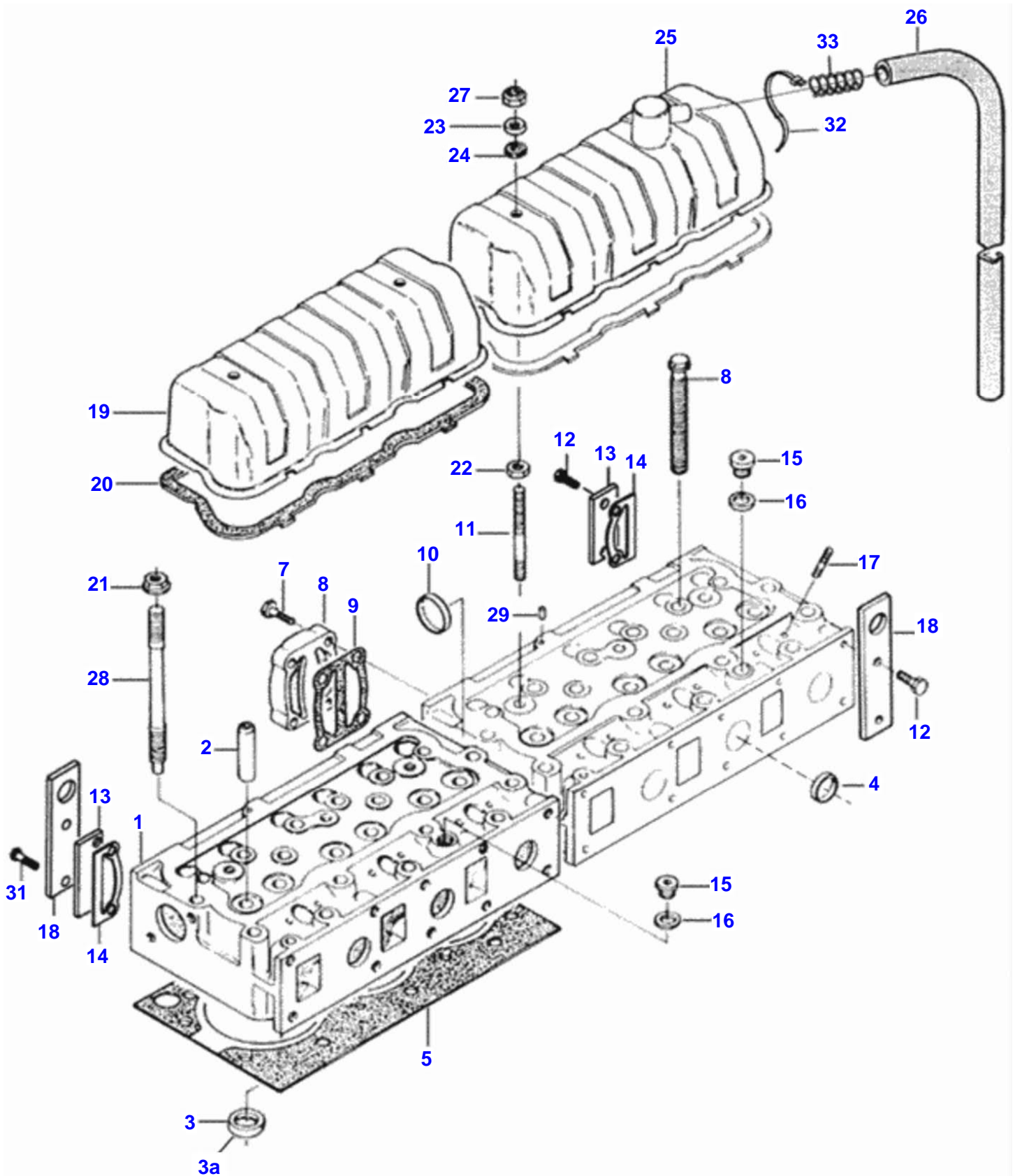
## Flywheel And Housing

Item	Part Number	Qty	Description	Comments
1	V82052610	1	Housing	
2	V614500002	1	Seal	S2
3	V528902230	7	Screw	
4	V581705030	6	Screw	
5	V836007572	1	Plug	
6	VJE8802	2	Pin	
7	VJB1110	3	Nut	
8	V500951000	3	Washer	
9	V546801800	3	Dog	
10	V82060400	1	Flywheel	[B]
	V82063010	1	Flywheel	[A]
11	V835328783	1	Starter Ring	
13	VKG3072	1	Circlip	[B]
14	V529902250	7	Screw	
15	V82060300	1	Flywheel Assy.	[B]
	V82062910	1	Flywheel Assy.	[A]

FOOTNOTE [A] SINGLE CLUTCH

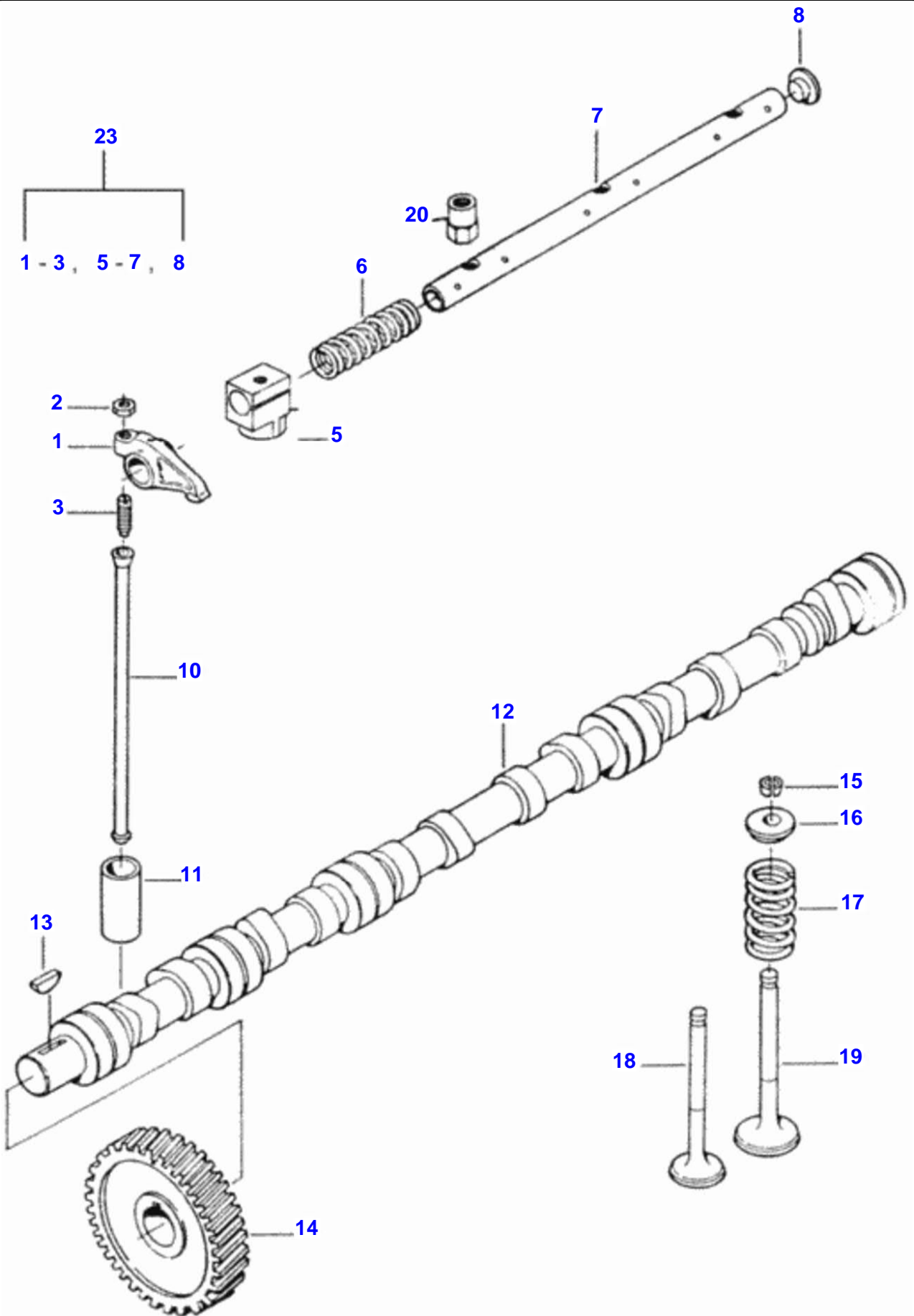
FOOTNOTE [B] DOUBLE CLUTCH

BH 185i TRACTOR (BR) - C018502  
00000334



## Cylinder Head

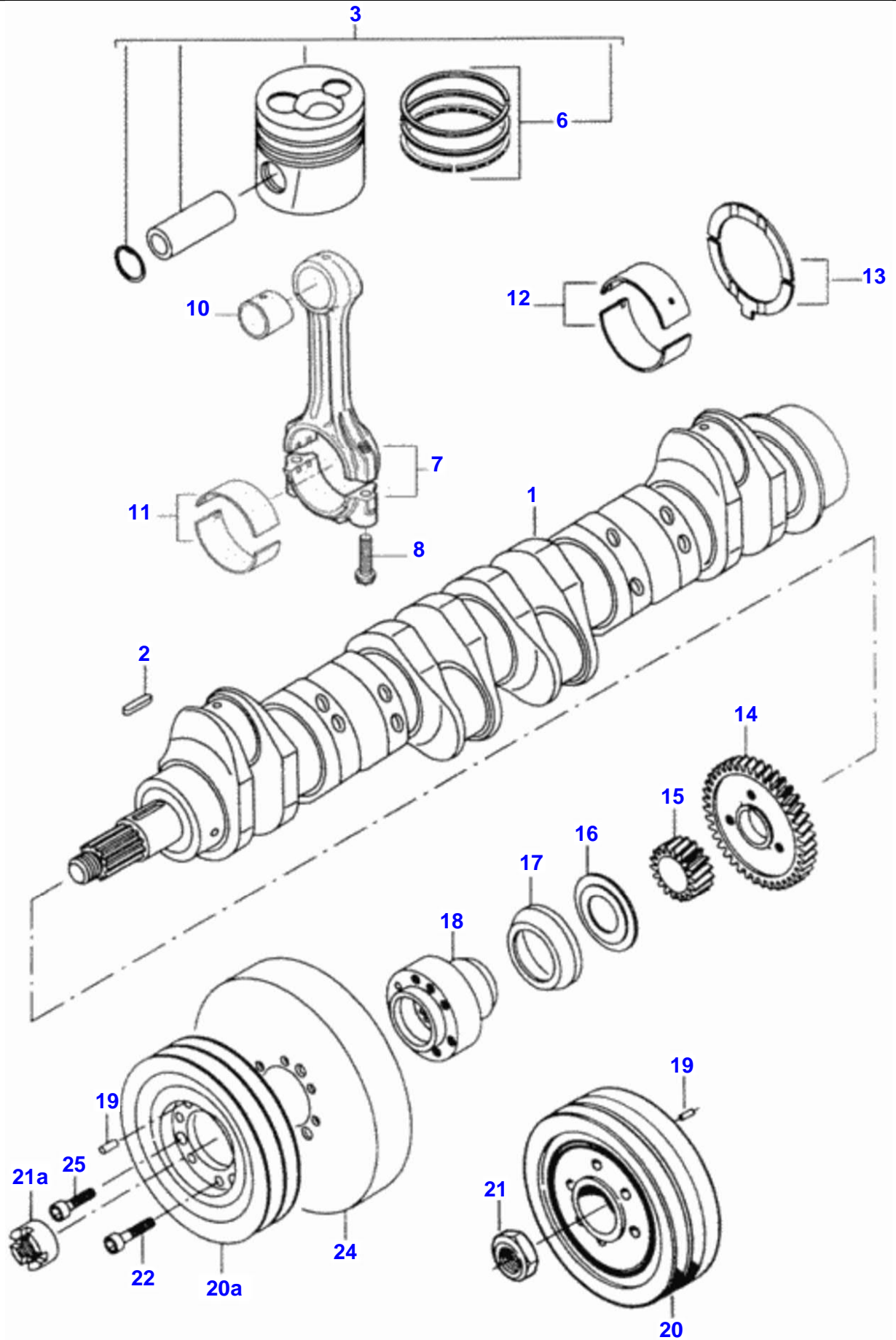
Item	Part Number	Qty	Description	Comments
	V836647936	6	Valve Seat	
1	V836855381	2	Head	
2	V836673175	12	Valve Guide	
3	V836647600	6	Valve Seat	
4	V836647942	10	Pad	
5	V837070290	2	Head Gaskets	S1
6	V836646383	32	Screw	
7	V529801830	4	Screw	
8	V836855348	1	Plate	
9	V836855418	1	Gasket	S1
10	V640016045	1	Pad	
11	V546801900	4	Dog	
12	V528801800	4	Screw	
13	V836855350	2	Cover	
14	V836855417	2	Gasket	S1
15	V640325018	2	Plug	
16	V615881822	2	Collet	S1
17	V546901435	12	Dog	
18	V836855349	2	Eyelet	
19	V836846448	1	Cover	
20	V836646360	2	Gasket	S1
21	V836859110	2	Nut	
22	VJB1110	4	Nut	
23	V836119855	4	Washer	
24	V836012841	4	Washer	S1
25	V836646359	1	Cover	
26	V835338706	1	Hose	
27	VJB8905	4	Nut	
28	V836859109	2	Dog	
29	V595953360	2	Pin	
31	V528801820	2	Screw	
32	V243020	1	Clamp	
33	V836659103	1	Spring	



## Valve Mechanism

Item	Part Number	Qty	Description	Comments
1	V836667042	12	Complete	(23)
2	V512861000	12	Nut	(23)
3	V837069023	12	Bolt	(23)
5	V836666609	6	Bracket	(23)
6	V836655884	4	Spring	(23)
7	V836655870	2	Shaft	(23)
8	V837069020	4	Plug	(23)
10	V836655867	12	Rod	
11	V836014264	12	Tappet	
12	V836866054	1	Camshaft	
13	V603305760	1	Key	
14	V836646389	1	Gear	
15	V836646382	24	Valve Cotter	
16	V836646381	12	Spring Plate	
17	V837073405	12	Spring	
18	V836646357	6	Valve Exhaust	
19	V836646356	6	Valve Inlet	
20	V836655406	6	Nut	
21	V529801910	2	Screw	
23	V836667043	2	Parts Pack	

BH 185i TRACTOR (BR) - C018502  
0000012

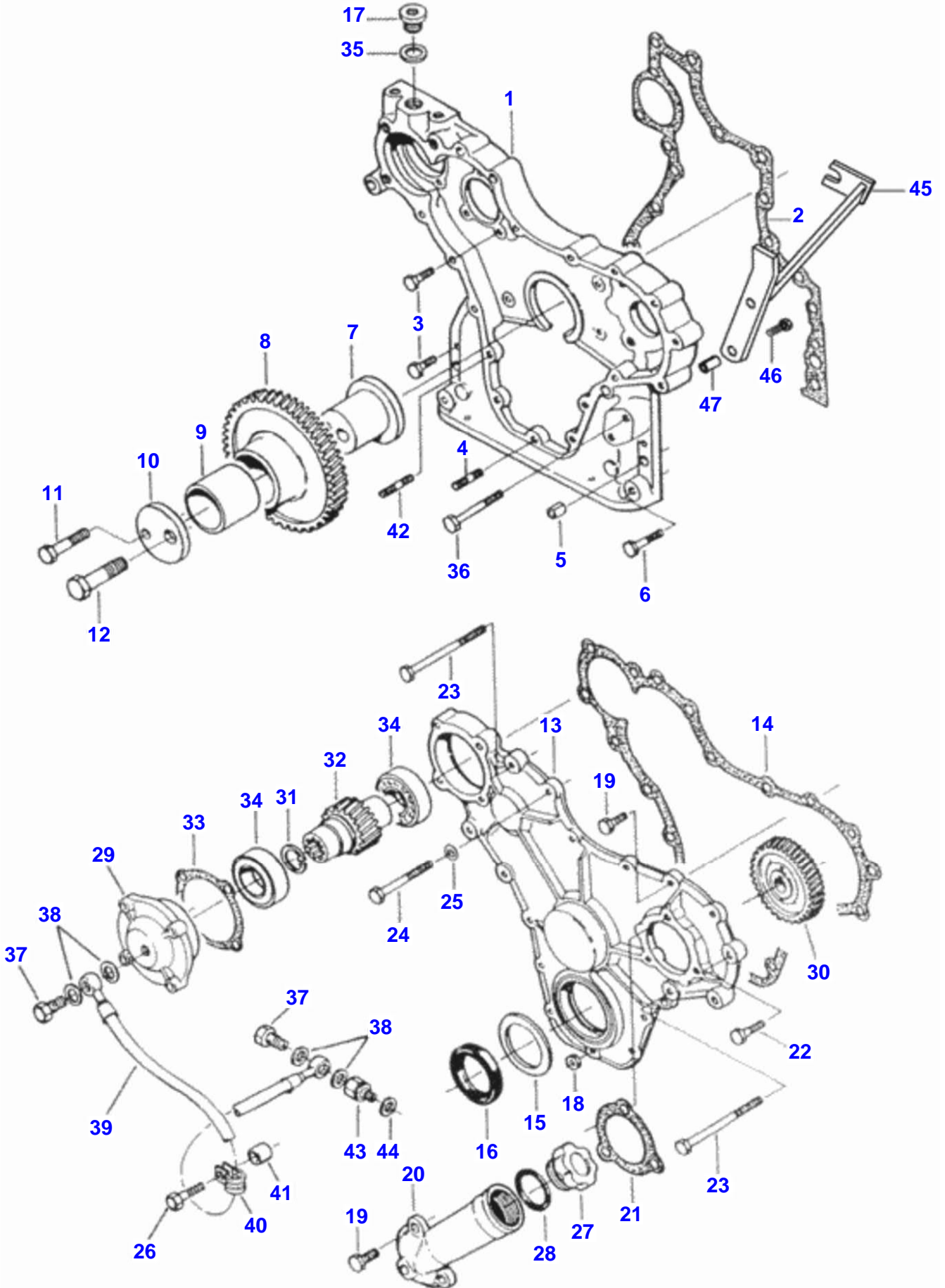


## Crankshaft Mechanism

Item	Part Number	Qty	Description	Comments
1	V836859075	1	Crankshaft	
2	V603345110	1	Key	
3	V836640073	6	Piston	
6	V836640078	6	Kit, Ring	
7	V82659900	1	Kit, Conrod	
8	V836864141	12	Screw	
10	V836646271	6	Bush	
11	V836110552	6	Big End Bearing	[A]
	V836112762	6	Slider Bearing	0,25mm
	V836112765	6	Slider Bearing	1,00mm
	V836112767	6	Slider Bearing	1,50mm
	V836112763	6	Slider Bearing	0,50mm
12	V836655539	7	Big-end Bearing	1,50mm
	V836655538	7	Big-end Bearing	1,00mm
	V836655536	7	Big-end Bearing	0,25mm
	V836655537	7	Big-end Bearing	0,50mm
	V836655514	7	Big-end Bearing	[A]
13	V836120333	2	Washer	0,20 mm
	V836120332	2	Washer	0,10 mm
	V836119459	2	Washer	[A]
14	V836119550	1	Gear	
15	V836122840	1	Gear	
16	V836129781	1	Ring	
17	V836136271	1	Dustcap	
18	V836322586	1	Hub	
19	V595953360	1	Pin	
20	V836355025	1	Pulley	
21	V836847641	1	Nut	
22	VHC9327	6	Screw	
24	V836840867	1	Damper	
25	V581804620	3	Screw	

FOOTNOTE [A] STANDARD

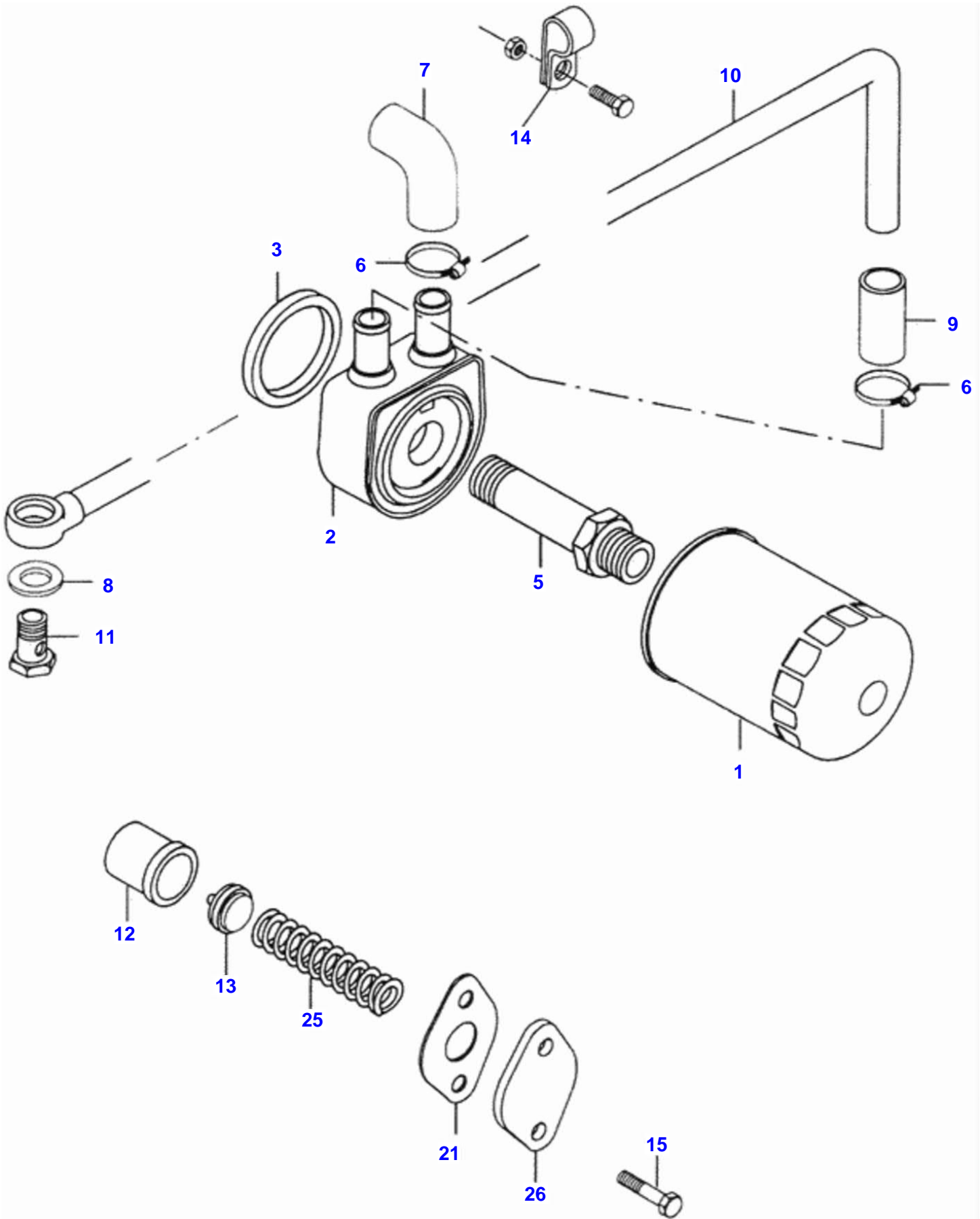
BH 185i TRACTOR (BR) - C018502  
00002518



## Front Cover

Item	Part Number	Qty	Description	Comments
1	V836652221	1	Timing Gear Case	
2	V836647419	1	Gasket	S2
3	VHA6324	10	Screw	
4	V546801380	4	Dog	
5	VJE8802	4	Pin	
6	V529801440	2	Screw	
7	V836766127	1	Shaft	
8	V836138354	1	Gear	A=9
9	V836139039	1	Bush	
10	V836129845	1	Flange	
11	V529801910	1	Screw	
12	V529902720	1	Screw	
13	V836647575	1	Cover	
14	V835336796	1	Gasket	S2
15	V836129782	1	Collet	
16	V614105880	1	Seal	S2
17	V640325018	1	Plug	
18	VJB1108	4	Nut	
19	VHA9326	6	Screw	
20	V836746921	1	Filler	
21	V836129946	1	Gasket	S2
22	VHA9230	3	Screw	
23	V529801500	2	Screw	
24	VHA8328	3	Screw	
25	V836120989	1	Washer	
26	V529801460	4	Screw	
27	V836338733	1	Cover	
28	V614604740	1	Collet	S2
29	V836655230	1	Bearing Housing	
30	V836847891	1	Gear	
31	VKG3031	1	Circlip	
32	V836122843	1	Shaft	
33	V835336793	1	Gasket	S2
34	V610060096	2	Bearing	
35	V615881822	1	Collet	S2
36	VHA8327	1	Screw	
37	V835331289	2	Screw	
38	V615870610	4	Washer	
39	V82607600	1	Hose	
40	V602060612	1	Clamp	
41	V836119296	1	Spacer	
42	V546801410	1	Dog	
43	V836655233	1	Connection	
44	V615571014	1	Washer	

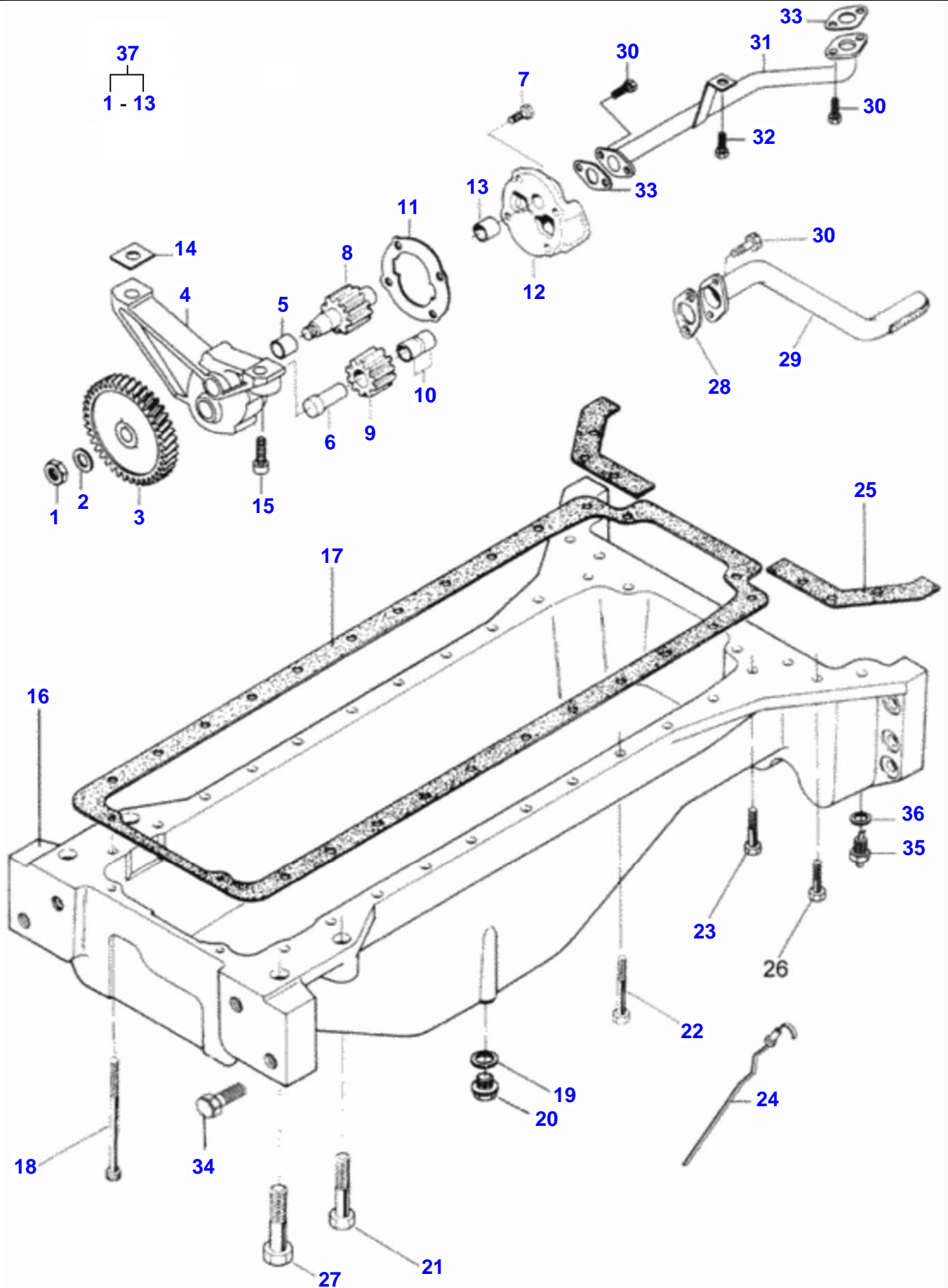
BH 185i TRACTOR (BR) - C018502  
0000014



## Oil Cooler

Item	Part Number	Qty	Description	Comments
1	V836647133	1	Oil Filter	
2	V82613000	1	Oil Cooler	Ref. 3 e 4
3	V82689000	1	Collet	
5	V82613100	1	Connection	
6	VGP3910	4	Clamp	
7	V836747124	1	Hose	
8	VKH3617	2	Collet	S2
9	V836129978	1	Hose	
10	V836847929	1	Pipe	
11	V640435015	1	Screw	
12	V836659521	1	Retention	
13	V836659522	1	Valve Plate	
14	V602074615	1	Clamp	
15	VH?323	2	Bolt	
21	V836322190	1	Gasket	S2
25	V836864056	1	Spring	
26	V836659524	1	Cover	

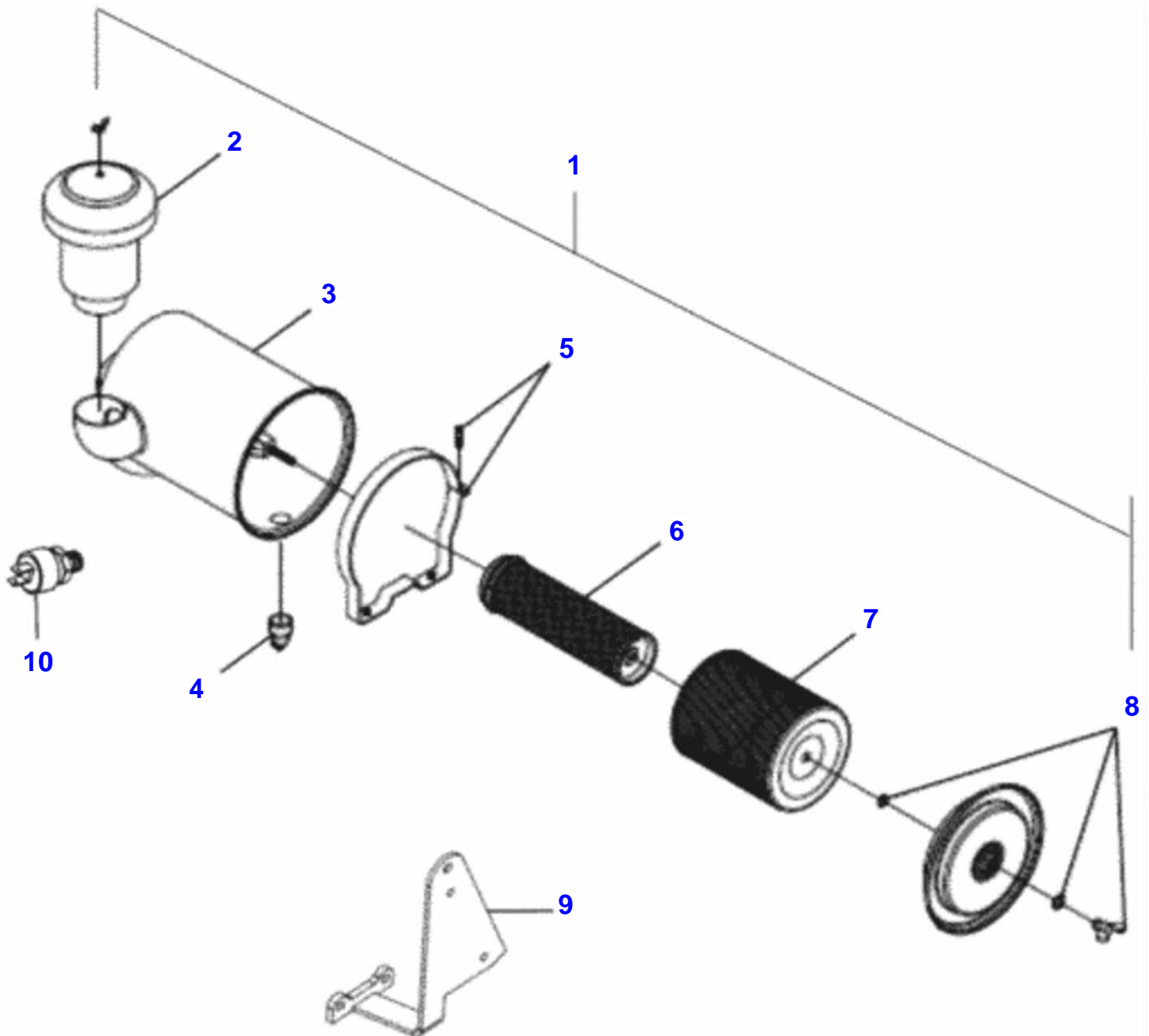
BH 185i TRACTOR (BR) - C018502  
0000015



## Sump

Item	Part Number	Qty	Description	Comments
1	V504861000	1	Nut	(37)
2	V836122910	1	Washer	(37)
3	V836338667	1	Gear	(37)
4	V836338186	1	Housing	(37)
5	V836322909	1	Bush	(37)
6	V836338668	1	Shaft	(37)
7	VHA6323	4	Screw	(37)
8	V836338181	1	Gear	(37)
9	V836338180	1	Gear	(37)
10	V836322909	2	Bush	(37)
11	V836338188	1	Gasket	(37) S2
12	V836855297	1	Cover	(37)
13	V836322909	1	Bush	(37)
14	V836007871	X	Spacing Plate	[A]
15	VHC8338	2	Screw	
16	V82052500	1	Sump	
17	V836322183	1	Gasket	S2
18	V581704830	2	Screw	
19	VKH3635	1	Collet	S2
20	VGR0277	1	Plug	
21	V529903990	2	Screw	
22	V529701880	22	Screw	
23	V82060200	2	Screw	
24	V82083700	1	Measuring	
25	V82065000	2	Gasket	
26	V581705030	6	Screw	
27	V82064700	2	Screw	
28	V836122282	1	Gasket	S2
29	V82650900	1	Pipe	
30	VHC9326	6	Screw	
31	V82650800	1	Pipe	
32	VHA6322	1	Screw	
33	V836008449	2	Gasket	S2
34	VHA6370	2	Screw	M20 x 60mm
35	V82675800	2	Bolt	
36	VJD3116	2	Washer	
37	V836855300	1	Oil Pump	

FOOTNOTE [A] ACCORDING TO NECESSITY



Air Filter

Item	Part Number	Qty	Description	Comments
1	V83648100	1	Complete	
2	V83638000	1	Pre Filter	(1)
3	V83637900	1	Housing	(1)
4	V82649700	1	Valve	(1)
5	V82649900	1	Clamp	(1)
6	V82649600	1	Element	[A] (1)
7	V82649500	1	Element	[B] (1)
8	V82650000	1	Bottom	(1)
9	V83674600	1	Air	
10	V33389600	1	Sender	

FOOTNOTE [A] INNER  
FOOTNOTE [B] OUTER



**Suggest:**

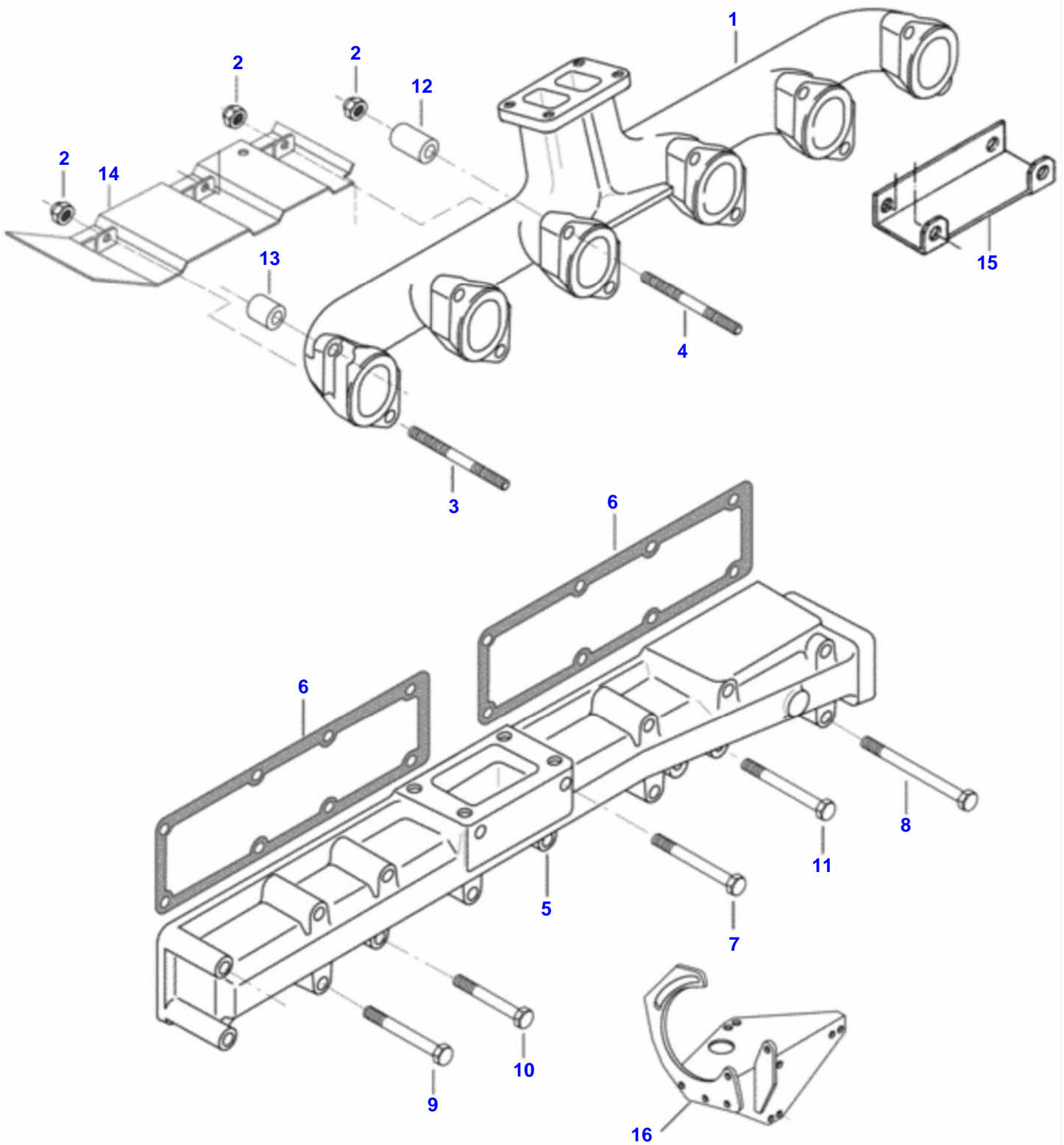
**For more complete manuals. Please go to the home page.**

**<https://www.ebooklibonline.com>**

**If the above button click is invalid. Please download this document first, and then click the above link to download the complete manual.**

**Thank you so much for reading**

BH 185i TRACTOR (BR) - C018502  
00004388



## Inlet And Exhaust Manifold

Item	Part Number	Qty	Description	Comments
1	V836867065	1	Exhaust Manifold	
2	VJB1110	12	Nut	
3	V836859188	10	Stud	
4	V836855955	2	Dog	
5	V836847493	1	Ind.Manifold	
6	V836847496	2	Gasket	S1
7	VHA9206	3	Screw	
8	V529801562	2	Screw	
9	VHA8330	9	Screw	
10	VHA8328	1	Screw	
11	VHA8331	1	Screw	
12	V836664012	2	Spacer	
13	V836664013	10	Spacer	
14	V83659900	1	Baffle Plate	
15	V836647945	1	Deflector	
16	V82651600	1	Bracket	

**<https://www.ebooklibonline.com>**

Hello dear friend!

Thank you very much for reading.

Enter the link into your browser.

The full manual is available for immediate download.

**<https://www.ebooklibonline.com>**