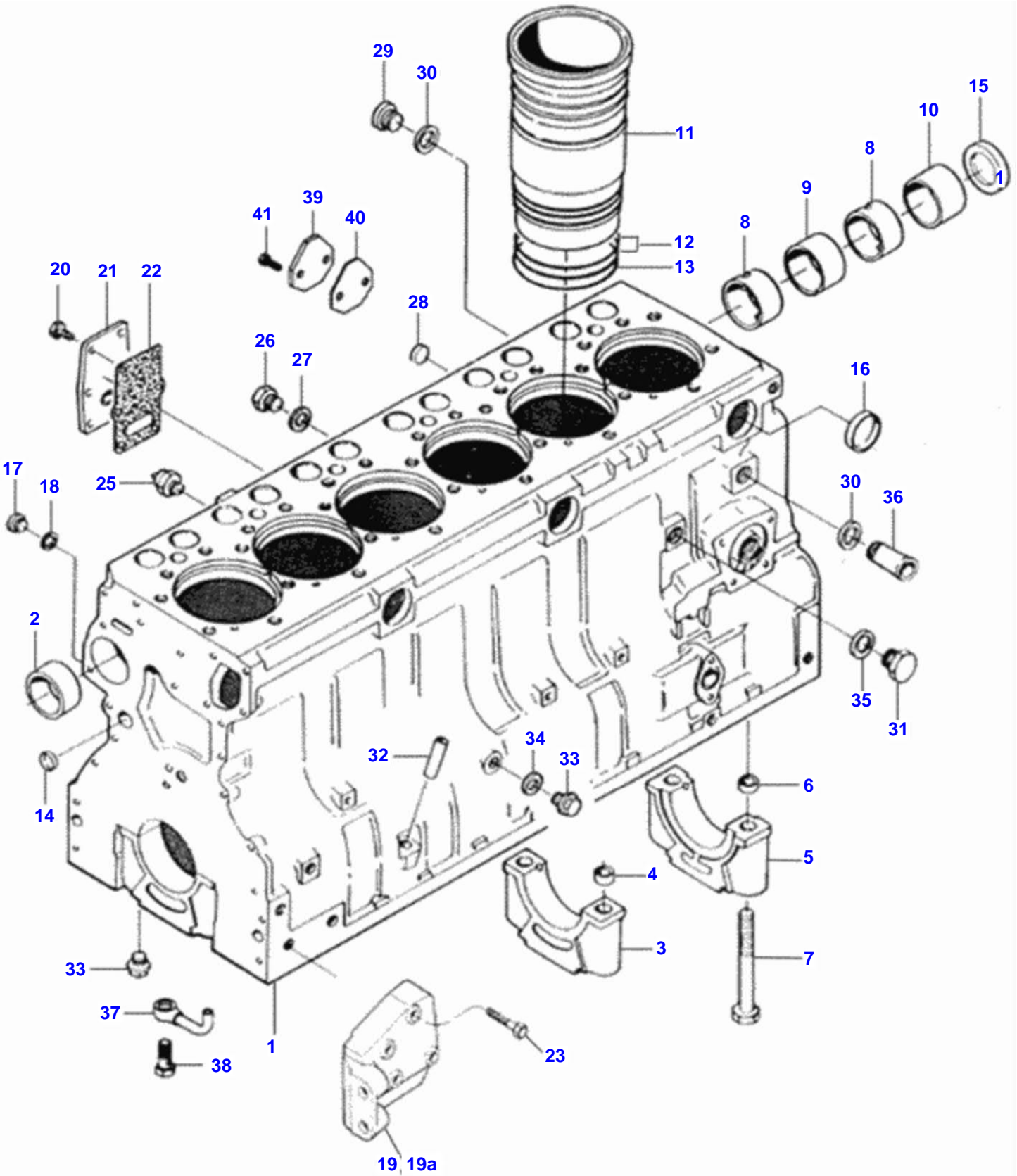


| Page Title | Page Number |
|------------------------------------|-------------|
| Cylinder Block | 020-0010 |
| Flywheel And Housing | 020-0015 |
| Cylinder Head | 020-0020 |
| Valve Mechanism | 020-0025 |
| Crankshaft Mechanism | 020-0030 |
| Front Cover | 020-0035 |
| Oil Cooler | 020-0040 |
| Sump | 020-0045 |
| Air Filter | 020-0050 |
| Inlet And Exhaust Manifold | 020-0055 |
| Muffler And Instalation Air Filter | 020-0060 |
| Side Muffler | 020-0065 |
| Turbocharger | 020-0070 |
| Sedimentation Filter | 020-0075 |
| Fuel Filter | 020-0080 |
| Injection Pump | 020-0085 |
| Throttle System | 020-0090 |
| Radiator | 020-0095 |
| Water Pump | 020-0100 |
| Water Pump | 020-0105 |
| Gasket Set - S1 | 020-0110 |
| Gasket Kit S1 + S2 | 020-0115 |
| Engine Repair Kit | 020-0120 |

BH 165 TRACTOR (BR) - C016502
0000008



Cylinder Block

| Item | Part Number | Qty | Description | Comments |
|------|-------------|-----|-----------------|------------|
| 1 | V836866110 | 1 | Cylinder Block | Ref. 2-10 |
| 2 | V836866036 | 1 | Bushing | |
| | V836866069 | 1 | Bush | |
| 3 | | 6 | Bearing Cover | [A] |
| 4 | V836214478 | 12 | Guide Bushing | |
| 5 | | 1 | Bearing Cover | [A] |
| 6 | V836214478 | 2 | Guide Bushing | |
| 7 | V529903180 | 14 | Screw | |
| 8 | V836852460 | 2 | Bush | |
| | V836852466 | 2 | Bush | |
| 9 | V836852459 | 1 | Bush | |
| | V836852460 | 1 | Bush | |
| 10 | V836852467 | 1 | Bush | |
| | V836852461 | 1 | Bush | |
| 11 | V836647933 | 6 | Liner | s= 9,08mm |
| | V836647935 | 6 | Liner | s= 9,23mm |
| | V836666990 | 6 | Liner | s=9,03 std |
| | V836647934 | 6 | Liner | s= 9,13mm |
| 12 | V836647502 | 12 | Collet | S2 |
| 13 | V836647503 | 6 | Collet | S2 |
| 14 | V640016016 | 4 | Plug | S2 |
| 15 | V836852744 | 1 | Plug | |
| 16 | V640016040 | 3 | Plug | |
| 17 | VGR0261 | 4 | Plug | |
| 18 | V615571014 | 4 | Washer | S2 |
| 19 | V82055800 | 1 | Bracket | |
| | V836852656 | 1 | Bracket | |
| 20 | VHC9326 | 6 | Screw | |
| 21 | V836847994 | 1 | Cover | |
| 22 | V836322852 | 1 | Cover Gasket | S2 |
| 23 | V529802682 | 8 | Screw | |
| 25 | V887283760 | 1 | Pressure Sensor | |
| 26 | VGR0277 | 1 | Plug | |
| 27 | VKH3625 | 1 | Collet | S2 |
| 28 | V640016018 | 3 | Plug | |
| 29 | V640325018 | 1 | Plug | |
| 30 | V615881822 | 2 | Collet | S2 |
| 31 | V836019756 | 1 | Plug | |
| 32 | V836014334 | 1 | Pipe | |
| 33 | V640305012 | 7 | Plug | |
| 34 | V615881216 | 1 | Collet | S2 |
| 35 | VKH3617 | 1 | Collet | S2 |
| 36 | V82615500 | 1 | Pipe | |
| 37 | V836846231 | 6 | Nozzle | |
| 38 | V836338601 | 6 | Valve | |
| 39 | V836647400 | 1 | Cover | |
| 40 | V836647401 | 1 | Gasket | |
| 41 | VHA6322 | 2 | Screw | |

FOOTNOTE [A] DELIVERED ONLY COMPLETE WITH BLOCK

<https://www.ebooklibonline.com>

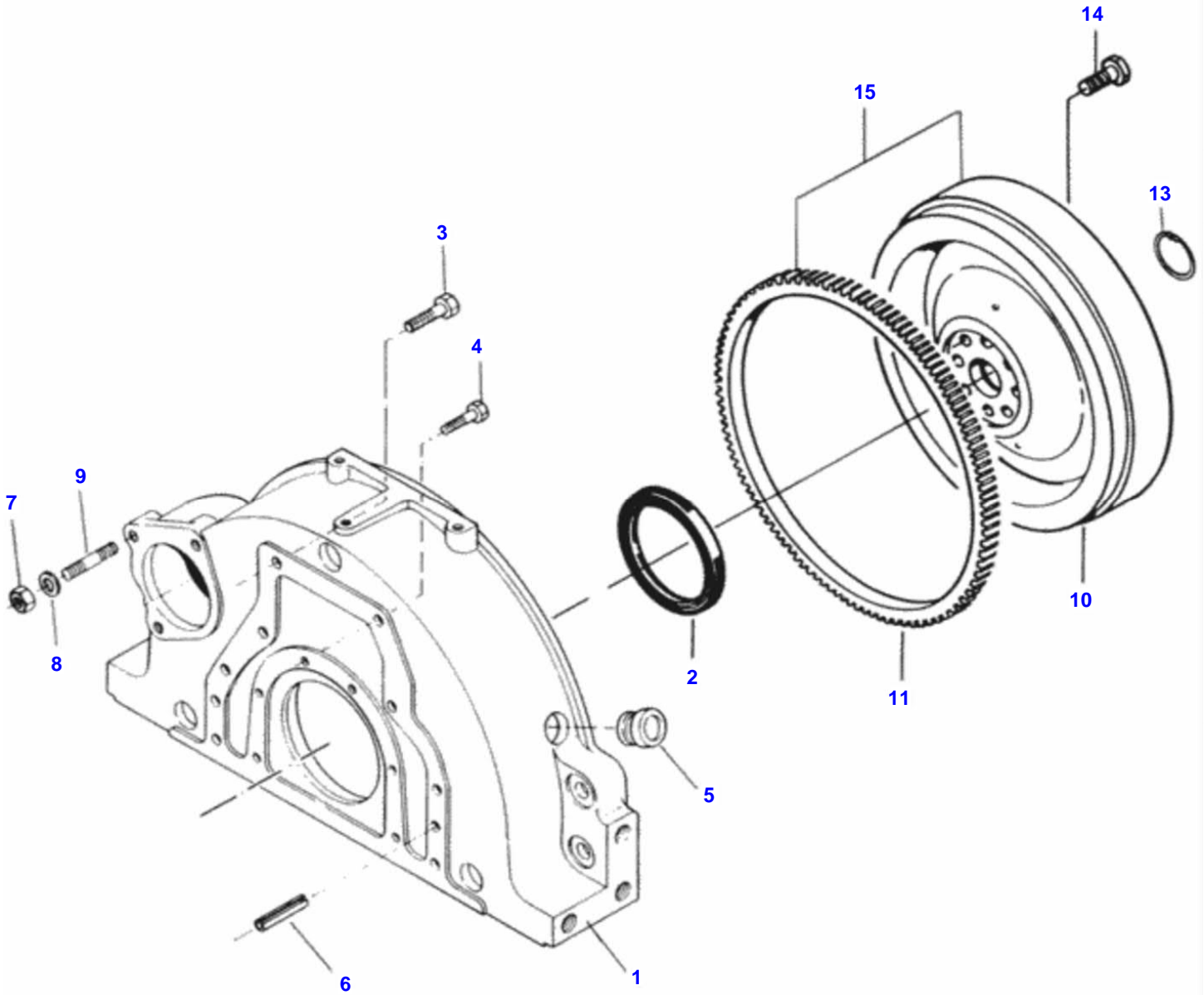
Hello dear friend!

Thank you very much for reading.

Enter the link into your browser.

The full manual is available for immediate download.

<https://www.ebooklibonline.com>



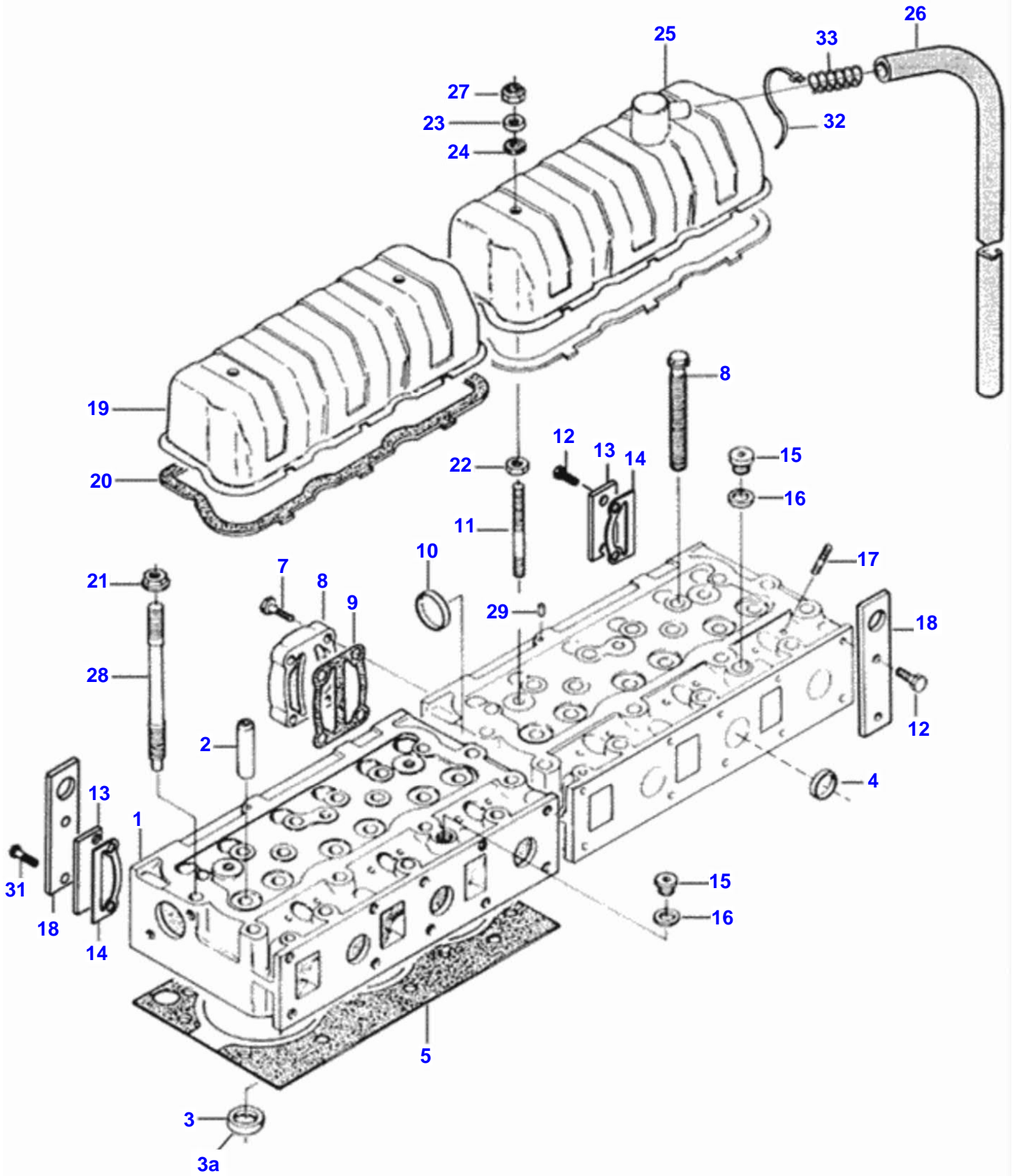
Flywheel And Housing

| Item | Part Number | Qty | Description | Comments |
|------|-------------|-----|----------------|----------|
| 1 | V82052610 | 1 | Housing | |
| 2 | V614500002 | 1 | Seal | S2 |
| 3 | V528902230 | 7 | Screw | |
| 4 | V581705030 | 6 | Screw | |
| 5 | V836007572 | 1 | Plug | |
| 6 | VJE8802 | 2 | Pin | |
| 7 | VJB1110 | 3 | Nut | |
| 8 | V500951000 | 3 | Washer | |
| 9 | V546801800 | 3 | Dog | |
| 10 | V82060400 | 1 | Flywheel | [B] |
| | V82063010 | 1 | Flywheel | [A] |
| 11 | V835328783 | 1 | Starter Ring | |
| 13 | VKG3072 | 1 | Circlip | [B] |
| 14 | V529902250 | 7 | Screw | |
| 15 | V82062910 | 1 | Flywheel Assy. | [A] |
| | V82060300 | 1 | Flywheel Assy. | [B] |

FOOTNOTE [A] SINGLE CLUTCH

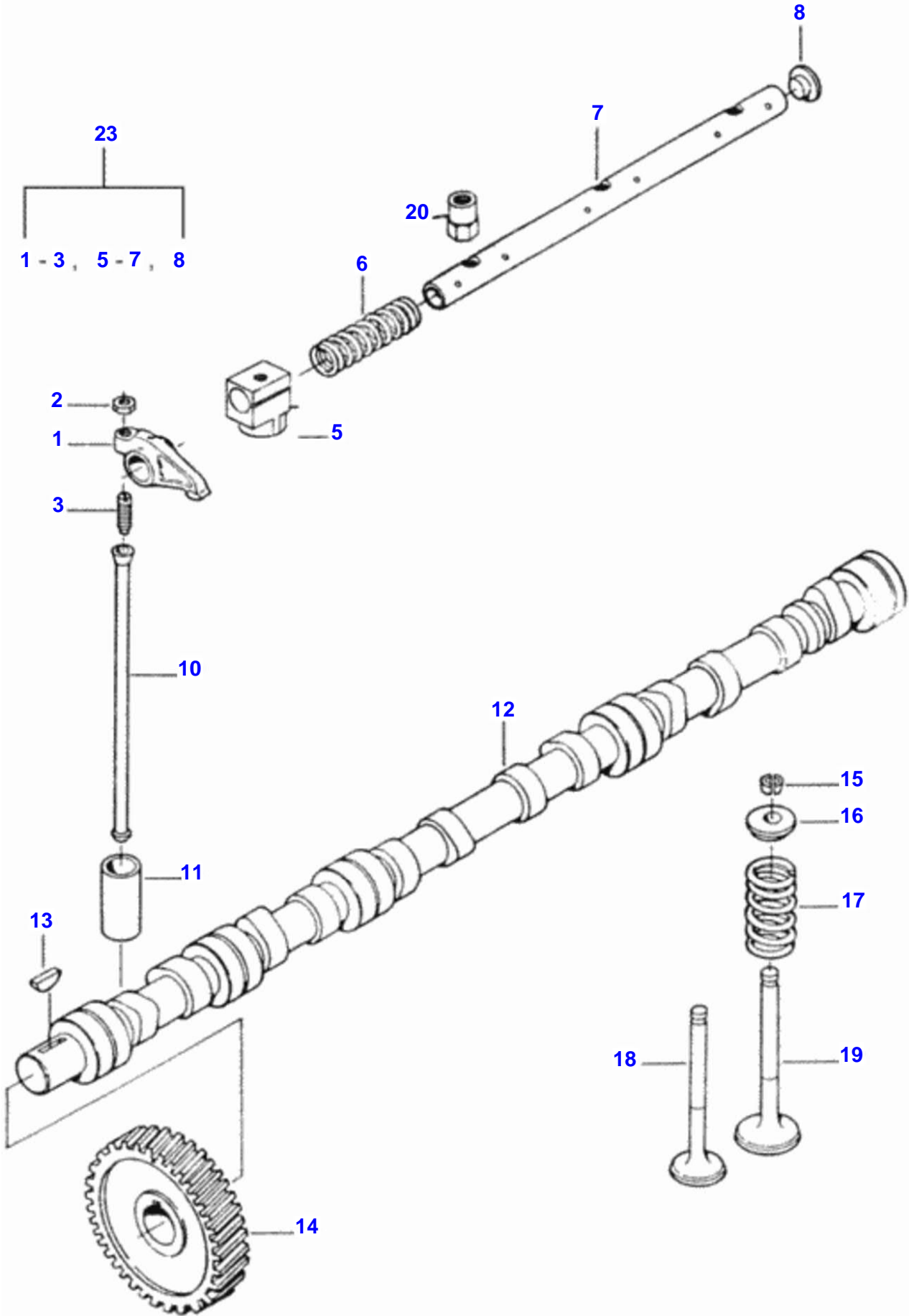
FOOTNOTE [B] DOUBLE CLUTCH

BH 165 TRACTOR (BR) - C016502
00000334



Cylinder Head

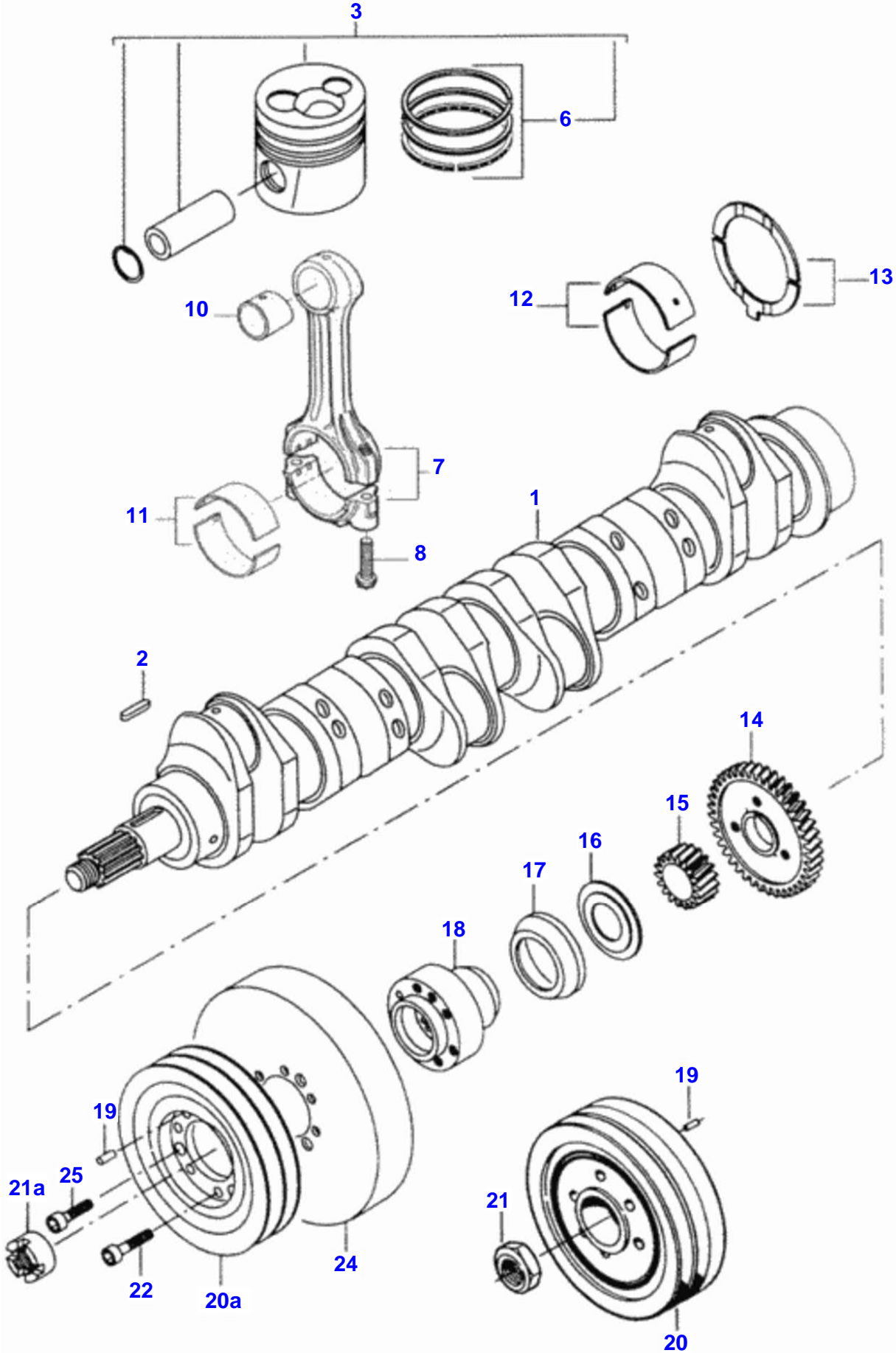
| Item | Part Number | Qty | Description | Comments |
|------|-------------|-----|--------------|----------|
| | V836647936 | 6 | Valve Seat | |
| 1 | V836855381 | 2 | Head | |
| 2 | V836673175 | 12 | Valve Guide | |
| 3 | V836647600 | 6 | Valve Seat | |
| 4 | V836647942 | 10 | Pad | |
| 5 | V837070290 | 2 | Head Gaskets | S1 |
| 6 | V836646383 | 32 | Screw | |
| 7 | V529801830 | 4 | Screw | |
| 8 | V836855348 | 1 | Plate | |
| 9 | V836855418 | 1 | Gasket | S1 |
| 10 | V640016045 | 1 | Pad | |
| 11 | V546801900 | 4 | Dog | |
| 12 | V528801800 | 4 | Screw | |
| 13 | V836855350 | 2 | Cover | |
| 14 | V836855417 | 2 | Gasket | S1 |
| 15 | V640325018 | 2 | Plug | |
| 16 | V615881822 | 2 | Collet | S1 |
| 17 | V546901435 | 12 | Dog | |
| 18 | V836855349 | 2 | Eyelet | |
| 19 | V836846448 | 1 | Cover | |
| 20 | V836646360 | 2 | Gasket | S1 |
| 21 | V836859110 | 2 | Nut | |
| 22 | VJB1110 | 4 | Nut | |
| 23 | V836119855 | 4 | Washer | |
| 24 | V836012841 | 4 | Washer | S1 |
| 25 | V836646359 | 1 | Cover | |
| 26 | V835338706 | 1 | Hose | |
| 27 | VJB8905 | 4 | Nut | |
| 28 | V836859109 | 2 | Dog | |
| 29 | V595953360 | 2 | Pin | |
| 31 | V528801820 | 2 | Screw | |
| 32 | V243020 | 1 | Clamp | |
| 33 | V836659103 | 1 | Spring | |



Valve Mechanism

| Item | Part Number | Qty | Description | Comments |
|------|-------------|-----|---------------|------------------|
| 1 | V836667042 | 12 | Complete | Ref. 2, 3 |
| 2 | V512861000 | 12 | Nut | |
| 3 | V837069023 | 12 | Bolt | |
| 5 | V836666609 | 6 | Bracket | |
| 6 | V836655884 | 4 | Spring | |
| 7 | V836655870 | 2 | Shaft | |
| 8 | V837069020 | 4 | Plug | |
| 10 | V836655867 | 12 | Rod | |
| 11 | V836014264 | 12 | Tappet | |
| 12 | V836866054 | 1 | Camshaft | |
| 13 | V603305760 | 1 | Key | |
| 14 | V836646389 | 1 | Gear | |
| 15 | V836646382 | 24 | Valve Cotter | |
| 16 | V836646381 | 12 | Spring Plate | |
| 17 | V837073405 | 12 | Spring | |
| 18 | V836646357 | 6 | Valve Exhaust | |
| 19 | V836646356 | 6 | Valve Inlet | |
| 20 | V836655406 | 6 | Nut | |
| 21 | V529801910 | 2 | Screw | |
| 23 | V836667043 | 2 | Parts Pack | Ref. 1-3, 5-7, 8 |

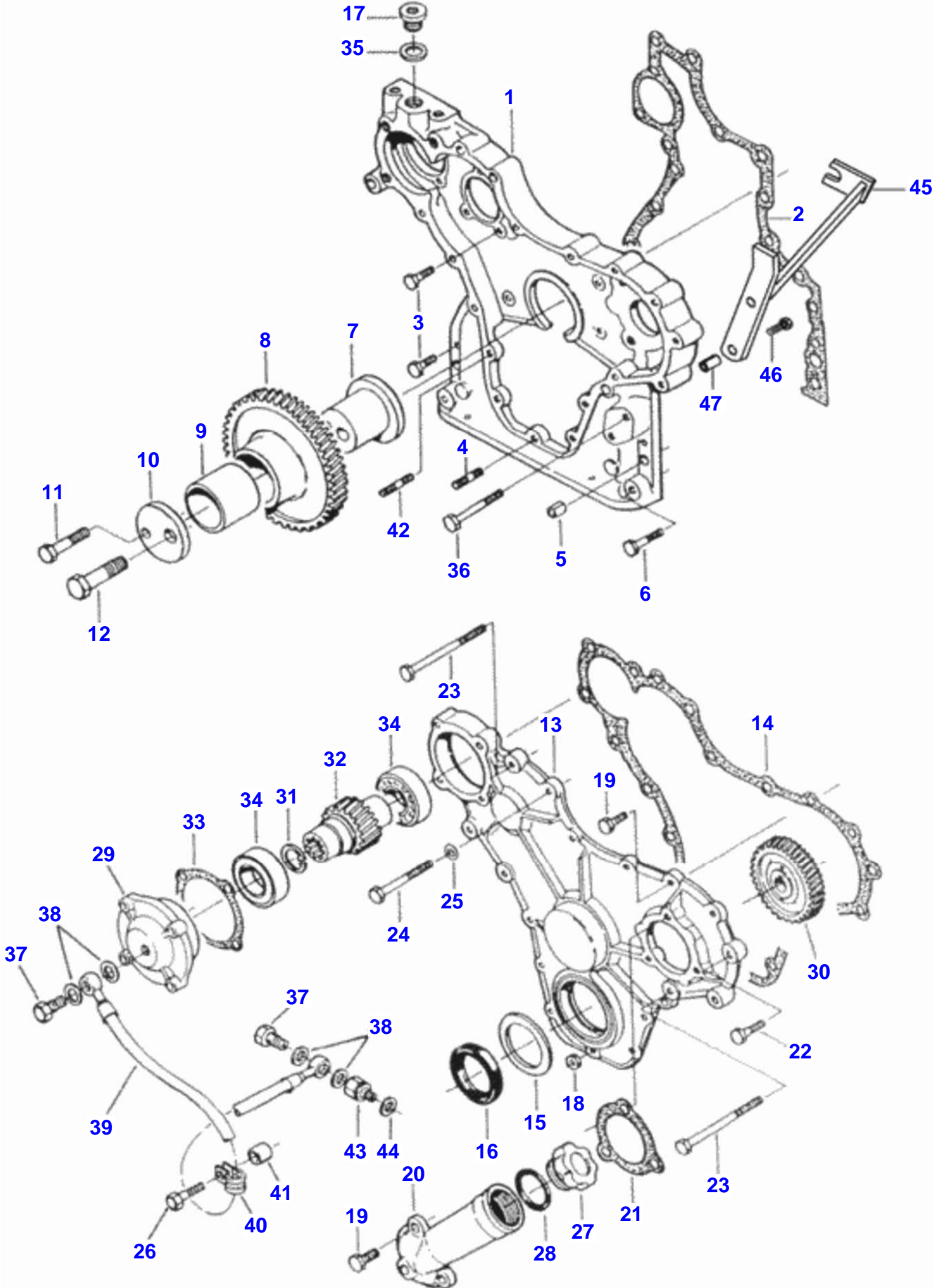
BH 165 TRACTOR (BR) - C016502
0000012



Crankshaft Mechanism

| Item | Part Number | Qty | Description | Comments |
|------|-------------|-----|-----------------|----------|
| 1 | V836859075 | 1 | Crankshaft | |
| 2 | V603345110 | 1 | Key | |
| 3 | V836640073 | 6 | Piston | |
| 6 | V836640078 | 6 | Kit, Ring | |
| 7 | V82659900 | 1 | Kit, Conrod | |
| 8 | V836864141 | 12 | Screw | |
| 10 | V836646271 | 6 | Bush | |
| 11 | V836112767 | 6 | Slider Bearing | |
| | V836112762 | 6 | Slider Bearing | |
| | V836112763 | 6 | Slider Bearing | |
| | V836112765 | 6 | Slider Bearing | |
| | V836110552 | 6 | Big End Bearing | |
| 12 | V836655538 | 7 | Big-end Bearing | |
| | V836655539 | 7 | Big-end Bearing | |
| | V836655514 | 7 | Big-end Bearing | |
| | V836655537 | 7 | Big-end Bearing | |
| | V836655536 | 7 | Big-end Bearing | |
| 13 | V836119459 | 2 | Washer | Standard |
| | V836120332 | 2 | Washer | 0,10 mm |
| | V836120333 | 2 | Washer | 0,20 mm |
| 14 | V836119550 | 1 | Gear | |
| 15 | V836122840 | 1 | Gear | |
| 16 | V836129781 | 1 | Ring | |
| 17 | V836136271 | 1 | Dustcap | |
| 18 | V836322586 | 1 | Hub | |
| 19 | V595953360 | 1 | Pin | |
| 20 | V836355025 | 1 | Pulley | |
| 21 | V836847641 | 1 | Nut | |
| 22 | VHC9327 | 6 | Screw | |
| 24 | V836840867 | 1 | Damper | |
| 25 | V581804620 | 3 | Screw | |

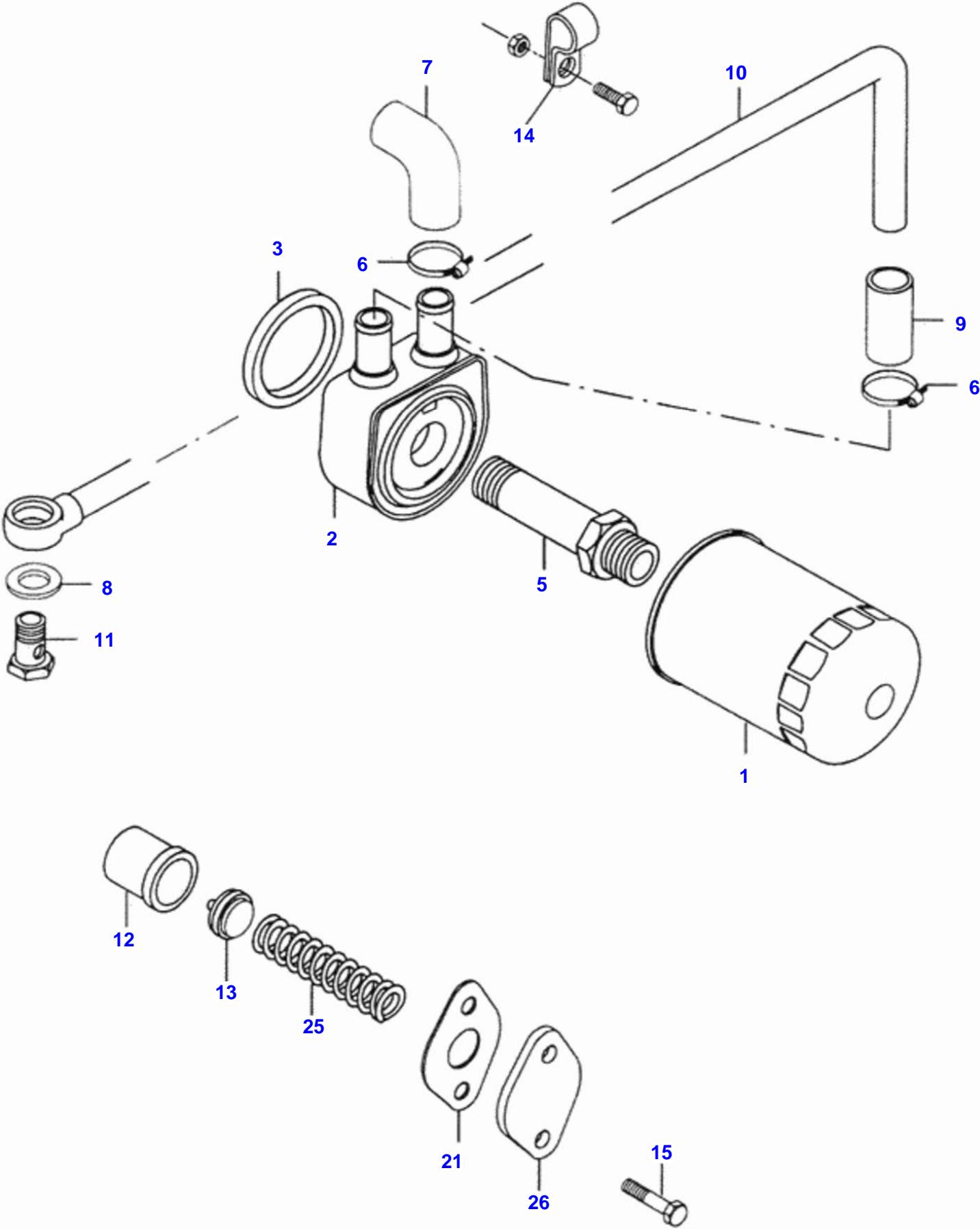
BH 165 TRACTOR (BR) - C016502
00002518



Front Cover

| Item | Part Number | Qty | Description | Comments |
|------|-------------|-----|------------------|----------|
| 1 | V836652221 | 1 | Timing Gear Case | |
| 2 | V836647419 | 1 | Gasket | S2 |
| 3 | VHA6324 | 10 | Screw | |
| 4 | V546801380 | 4 | Dog | |
| 5 | VJE8802 | 4 | Pin | |
| 6 | V529801440 | 2 | Screw | |
| 7 | V836766127 | 1 | Shaft | |
| 8 | V836138354 | 1 | Gear | A=9 |
| 9 | V836139039 | 1 | Bush | |
| 10 | V836129845 | 1 | Flange | |
| 11 | V529801910 | 1 | Screw | |
| 12 | V529902720 | 1 | Screw | |
| 13 | V836647575 | 1 | Cover | |
| 14 | V835336796 | 1 | Gasket | S2 |
| 15 | V836129782 | 1 | Collet | |
| 16 | V614105880 | 1 | Seal | S2 |
| 17 | V640325018 | 1 | Plug | |
| 18 | VJB1108 | 4 | Nut | |
| 19 | VHA9326 | 6 | Screw | |
| 20 | V836746921 | 1 | Filler | |
| 21 | V836129946 | 1 | Gasket | S2 |
| 22 | VHA9230 | 3 | Screw | |
| 23 | V529801500 | 2 | Screw | |
| 24 | VHA8328 | 3 | Screw | |
| 25 | V836120989 | 1 | Washer | |
| 26 | V529801460 | 4 | Screw | |
| 27 | V836338733 | 1 | Cover | |
| 28 | V614604740 | 1 | Collet | S2 |
| 29 | V836655230 | 1 | Bearing Housing | |
| 30 | V836847891 | 1 | Gear | |
| 31 | VKG3031 | 1 | Circlip | |
| 32 | V836122843 | 1 | Shaft | |
| 33 | V835336793 | 1 | Gasket | S2 |
| 34 | V610060096 | 2 | Bearing | |
| 35 | V615881822 | 1 | Collet | S2 |
| 36 | VHA8327 | 1 | Screw | |
| 37 | V835331289 | 2 | Screw | |
| 38 | V615870610 | 4 | Washer | |
| 39 | V82607600 | 1 | Hose | |
| 40 | V602060612 | 1 | Clamp | |
| 41 | V836119296 | 1 | Spacer | |
| 42 | V546801410 | 1 | Dog | |
| 43 | V836655233 | 1 | Connection | |
| 44 | V615571014 | 1 | Washer | |

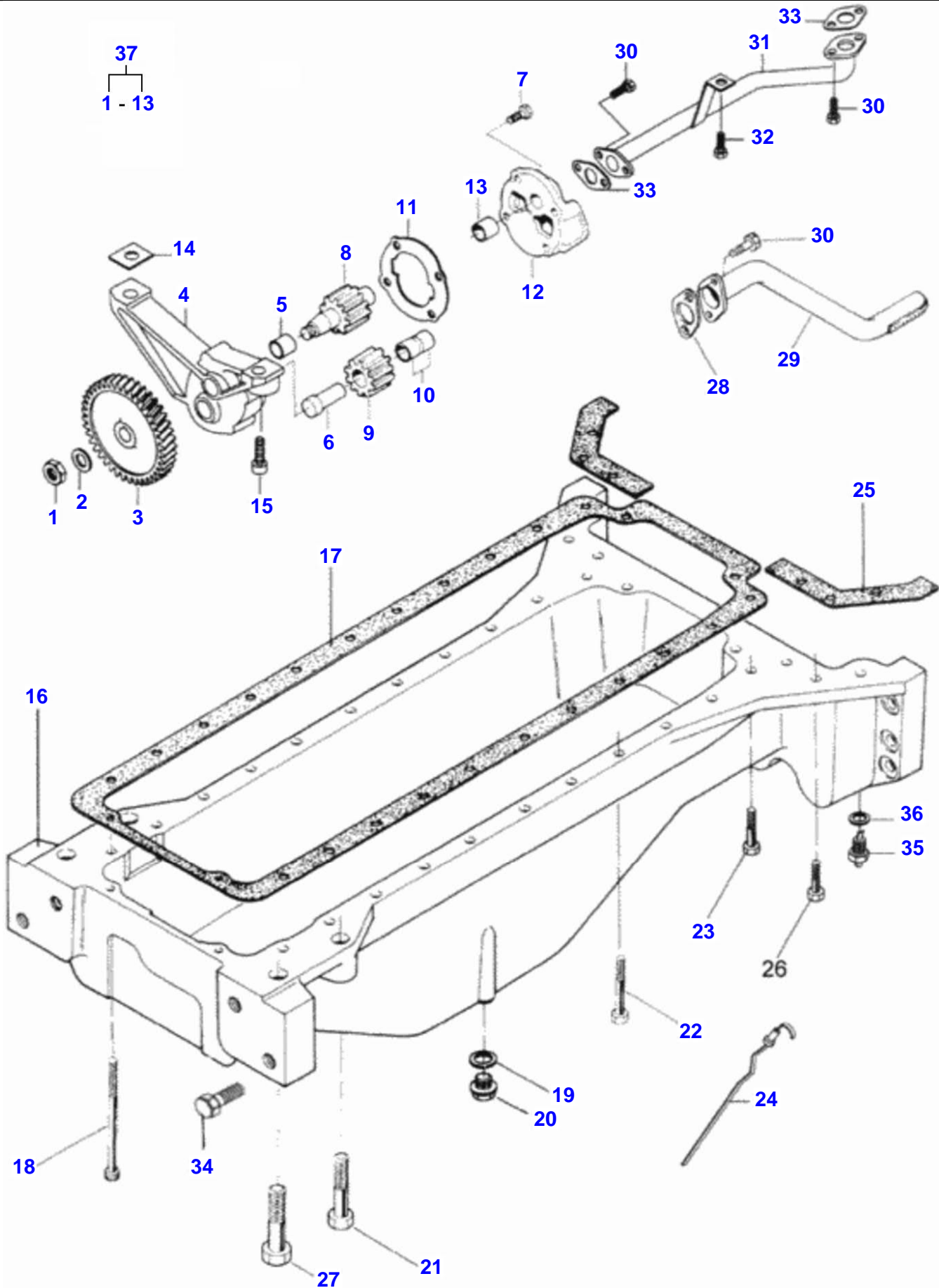
BH 165 TRACTOR (BR) - C016502
0000014



Oil Cooler

| Item | Part Number | Qty | Description | Comments |
|------|-------------|-----|-------------|------------|
| 1 | V836647133 | 1 | Oil Filter | |
| 2 | V82613000 | 1 | Oil Cooler | Ref. 3 e 4 |
| 3 | V82689000 | 1 | Collet | |
| 5 | V82613100 | 1 | Connection | |
| 6 | VGP3910 | 4 | Clamp | |
| 7 | V836747124 | 1 | Hose | |
| 8 | VKH3617 | 2 | Collet | S2 |
| 9 | V836129978 | 1 | Hose | |
| 10 | V836847929 | 1 | Pipe | |
| 11 | V640435015 | 1 | Screw | |
| 12 | V836659521 | 1 | Retention | |
| 13 | V836659522 | 1 | Valve Plate | |
| 14 | V602074615 | 1 | Clamp | |
| 15 | VH?323 | 2 | Bolt | |
| 21 | V836322190 | 1 | Gasket | S2 |
| 25 | V836864056 | 1 | Spring | |
| 26 | V836659524 | 1 | Cover | |

BH 165 TRACTOR (BR) - C016502
0000015





Suggest:

For more complete manuals. Please go to the home page.

<https://www.ebooklibonline.com>

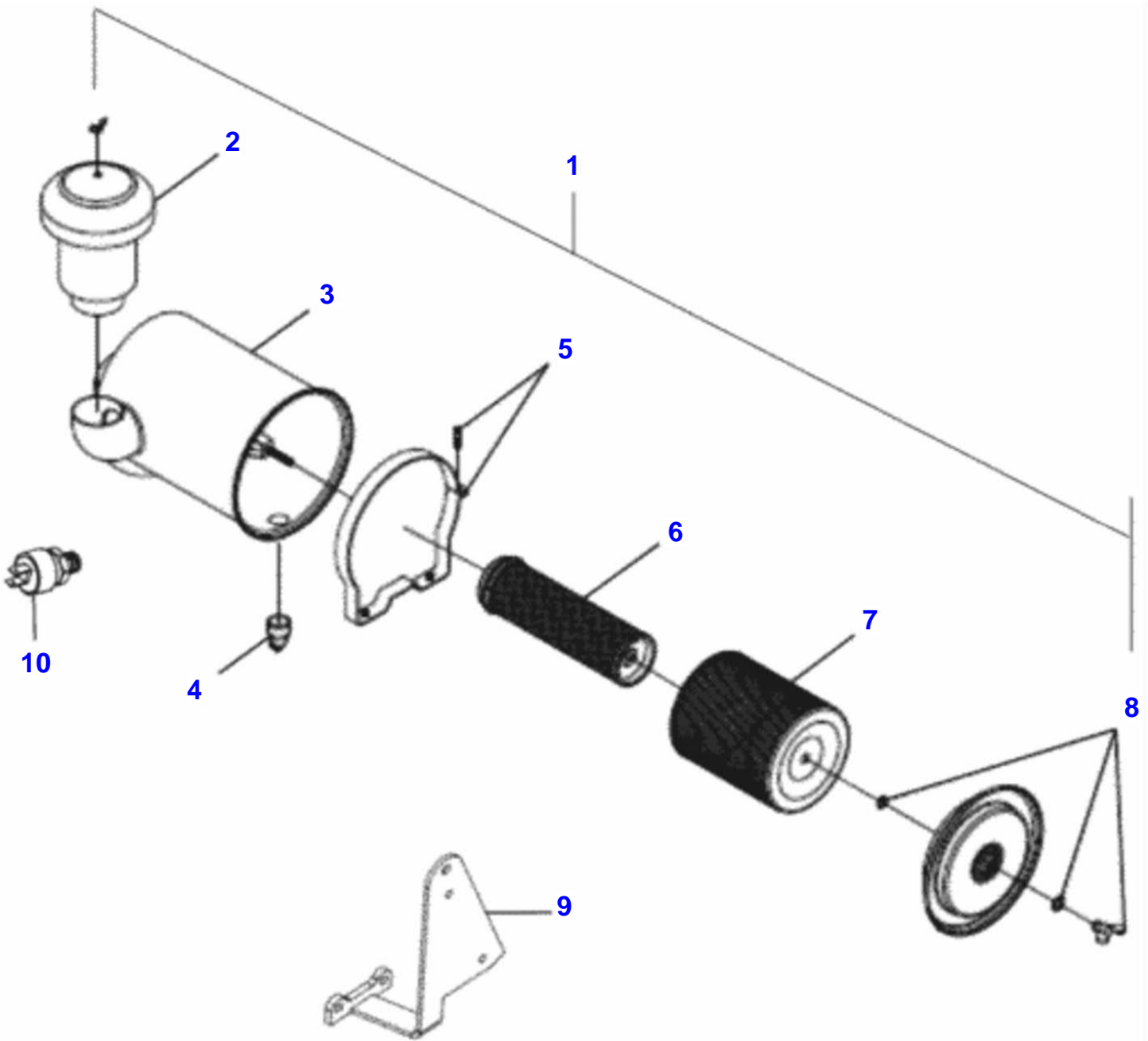
If the above button click is invalid. Please download this document first, and then click the above link to download the complete manual.

Thank you so much for reading

Sump

| Item | Part Number | Qty | Description | Comments |
|------|-------------|-----|---------------|-------------|
| 1 | V504861000 | 1 | Nut | |
| 2 | V836122910 | 1 | Washer | |
| 3 | V836338667 | 1 | Gear | |
| 4 | V836338186 | 1 | Housing | |
| 5 | V836322909 | 1 | Bush | |
| 6 | V836338668 | 1 | Shaft | |
| 7 | VHA6323 | 4 | Screw | |
| 8 | V836338181 | 1 | Gear | |
| 9 | V836338180 | 1 | Gear | |
| 10 | V836322909 | 2 | Bush | |
| 11 | V836338188 | 1 | Gasket | S2 |
| 12 | V836855297 | 1 | Cover | |
| 13 | V836322909 | 1 | Bush | |
| 14 | V836007871 | | Spacing Plate | [A] |
| 15 | VHC8338 | 2 | Screw | |
| 16 | V82052500 | 1 | Sump | |
| 17 | V836322183 | 1 | Gasket | S2 |
| 18 | V581704830 | 2 | Screw | |
| 19 | VKH3635 | 1 | Collet | S2 |
| 20 | VGR0277 | 1 | Plug | |
| 21 | V529903990 | 2 | Screw | |
| 22 | V529701880 | 22 | Screw | |
| 23 | V82060200 | 2 | Screw | |
| 24 | V82083700 | 1 | Measuring | |
| 25 | V82065000 | 2 | Gasket | |
| 26 | V581705030 | 6 | Screw | |
| 27 | V82064700 | 2 | Screw | |
| 28 | V836122282 | 1 | Gasket | S2 |
| 29 | V82650900 | 1 | Pipe | |
| 30 | VHC9326 | 6 | Screw | |
| 31 | V82650800 | 1 | Pipe | |
| 32 | VHA6322 | 1 | Screw | |
| 33 | V836008449 | 2 | Gasket | S2 |
| 34 | VHA6370 | 2 | Screw | M20 x 60mm |
| 35 | V82675800 | 2 | Bolt | |
| 36 | VJD3116 | 2 | Washer | |
| 999 | V836855300 | 1 | Oil Pump | Ref. 1 a 13 |

FOOTNOTE [A] ACCORDING TO NECESSITY



<https://www.ebooklibonline.com>

Hello dear friend!

Thank you very much for reading.

Enter the link into your browser.

The full manual is available for immediate download.

<https://www.ebooklibonline.com>