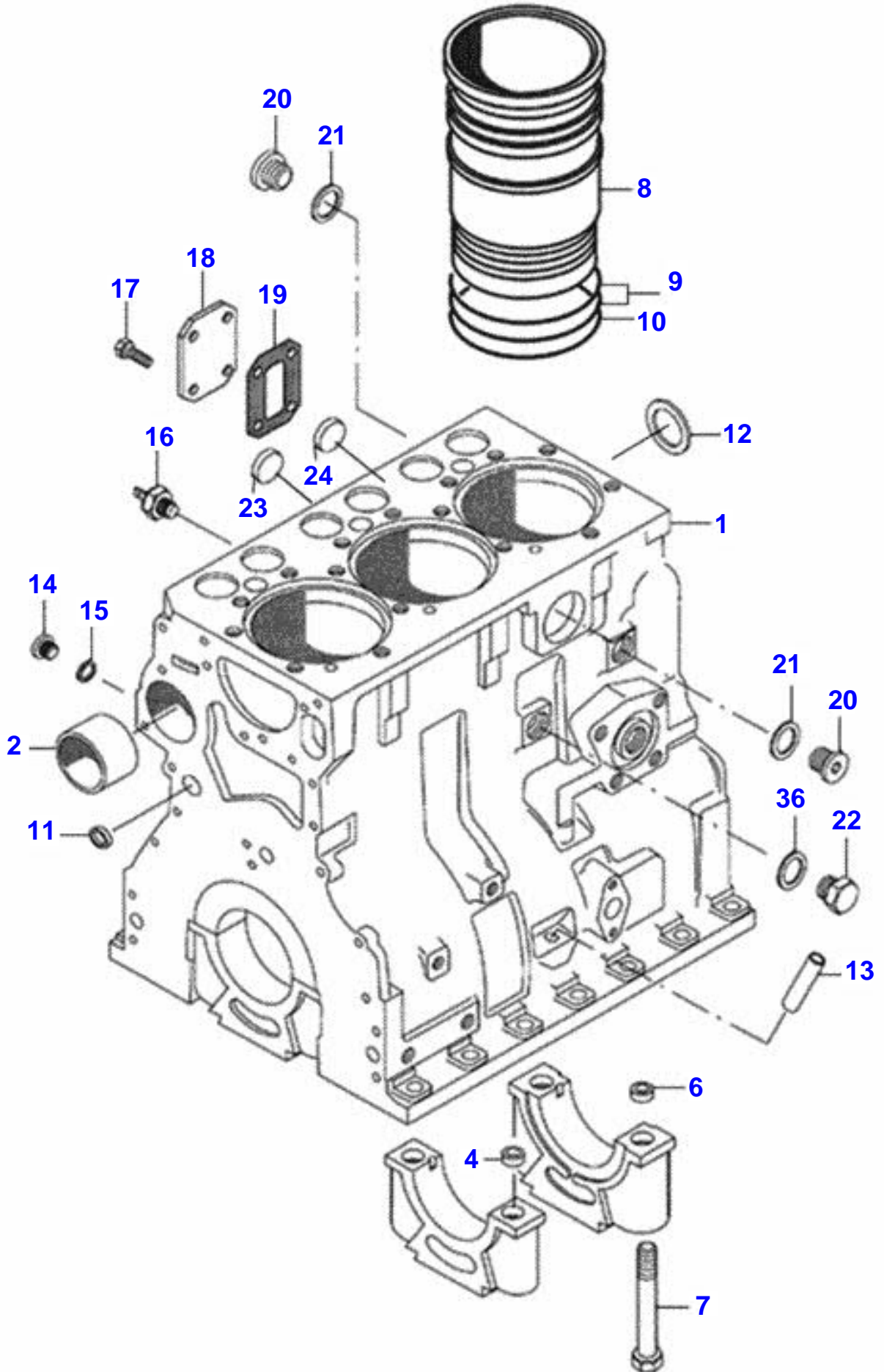


Page Title	Page Number
100 - TOLL'S BOX	101-01-343
100 - ADHESIVES (PORTUGUESE)	101-02-342
100 - ADHESIVES (PORTUGUESE)	101-03-442
100 - ADHESIVES (SPANISH)	101-04-443
100 - ADHESIVES (SPANISH)	101-05-444
100 - ADHESIVES (ENGLISH)	101-06-445
100 - ADHESIVES (ENGLISH)	101-07-446
100 - THRAILLER SUPPORT	101-08-344
20 - CYLINDER BLOCK	21-01-345
20 - FLYWHEEL AND GEAR RIM	21-02-346
20 - CYLINDER HEAD	21-03-347
20 - VALVES MECHANISM	21-04-933
20 - CRANKSHAFT MECHANISM	21-05-349
20 - GEAR HOUSING	21-06-350
20 - OIL FILTER	21-07-351
20 - SUMP	21-08-352
20 - AIR FILTER	21-09-967
20 - INLET AND EXHAUST MANIFOLD	21-10-354
20 - MUFFLER	21-11-355
20 - MUFFLER	21-12-1774
20 - TURBOCHARGER	21-12-356
20 - MUFFLER	21-37-515
20 - SEDIMENTATION FILTER	22-01-357
20 - FUEL FILTER	22-02-358
20 - INJECTION PUMP	22-03-359
20 - THROTTLE SYSTEM	22-04-360
20 - RADIATOR	23-01-361
20 - WATER PUMP AND FAN	23-02-1115
20 - GASKET SET S1	28-01-363
20 - GASKET SET S1+S2	28-02-364
20 - REPAIR KIT	28-03-365
30 - STARTER MOTOR - BOSCH	31-01-29
30 - STARTER MOTOR - ISKRA	31-02-531
30 - ALTERNATOR - 55A- ISKRA	31-03-368
30 - ALTERNATOR BOSCH - 90A	31-04-1282
30 - ELECTRICAL SYSTEM	32-01-369
30 - ELECTRICAL SYSTEM	32-02-448
30 - INSTRUMENTS PANEL	32-03-370
40 - DOUBLE CLUTCH AND DRIVE PEDAL	41-01-371
40 - DOUBLE CLUTCH	41-02-372
40 - GEARBOX HOUSING	42-01-373
40 - TRANSMISSION LEVER	42-02-374
40 - COUNTERSHAFT	42-03-375
40 - MAINSHAFT	42-04-376
40 - BEVEL PINION	42-05-377
40 - DIFFERENTIAL	42-06-378
40 - HI-TRAC AND LOW-TRAC	44-01-379
40 - HI-TRAC COOLING	44-02-380
40 - HYDRAULIC PUMP HI-TRAC	44-03-381
40 - HI-TRAC SYSTEM LEVER	44-04-382

## TABLE OF CONTENT

40 - POWER TAKE OFF	46-01-383
40 - PTO DRIVE LEVER	46-02-384
50 - FINAL DRIVES AND BRAKES	51-01-385
50 - BRAKE CONTROL DRIVE	51-02-386
50 - CONTROL BRAKE SYSTEM	51-03-387
60 - STEERING WHEEL COLUMN	61-01-388
60 - HYDRAULIC STEERING	61-02-389
60 - HYDROSTATIC STEERING UNIT DANFOSS	61-03-390
60 - FRONT AXLE	62-02-392
60 - STEERING CYLINDER	62-03-393
60 - FRONT DRIVE SELECTING LEVER	63-01-394
60 - CARDAN AND FRONT AXLE DRIVE	63-02-395
60 - FRONT AXLE HOUSING - CARRARO	64-01-396
60 - BEVEL GEAR AND PINION - CARRARO	64-02-397
60 - DIFFERENTIAL - CARRARO	64-03-398
60 - JOINT BODY - CARRARO	64-04-399
60 - PLANETARY GEAR - CARRARO	64-05-400
60 - STEERING ROD - CARRARO	64-06-401
60 - STEERING CYLINDER - CARRARO	64-07-402
60 - DOUBLE JOINT - CARRARO SHAFT	64-08-403
70 - ENGINE SUPPORT AND CARDAN PROTECTOR	71-01-391
70 - FUEL TANK	71-02-404
70 - FRONT WHEEL	72-01-405
70 - REAR WHEEL	72-02-406
70 - BUFFER AND FRONT COUNTERWEIGHT	79-01-407
70 - REAR WHEEL COUNTERWEIGHT	79-02-408
80 - SEAT	81-01-1568
80 - FRONT SHIELDS	81-02-410
80 - INSTRUMENTS PANEL	81-03-411
80 - REAR MUDGUARD	81-04-412
80 - KIT FRONT PIPE COMPLETE	81-05-889
80 - KIT REAR PIPE COMPLETE	81-06-890
90 - HYDRAULIC PUMP AND SUCTION FILTER	91-01-413
90 - HYDRAULIC PIPES SYSTEM	91-02-414
90 - HIDRAULIC LEVER SYSTEM	91-03-415
90 - HYDRAULIC VALVE	91-04-416
90 - GEARBOX UPPER COVER	91-05-417
90 - LIFT CYLINDER	91-06-418
90 - THREE POINTS SYSTEM	91-07-419
90 - TRAILER HITCH	99-01-420
90 - DOUBLE ACTION VALVE	99-03-422
90 - DOUBLE ACTION VALVE	99-04-423

BF75 TRACTOR (BRAZIL)



**<https://www.ebooklibonline.com>**

Hello dear friend!

Thank you very much for reading.

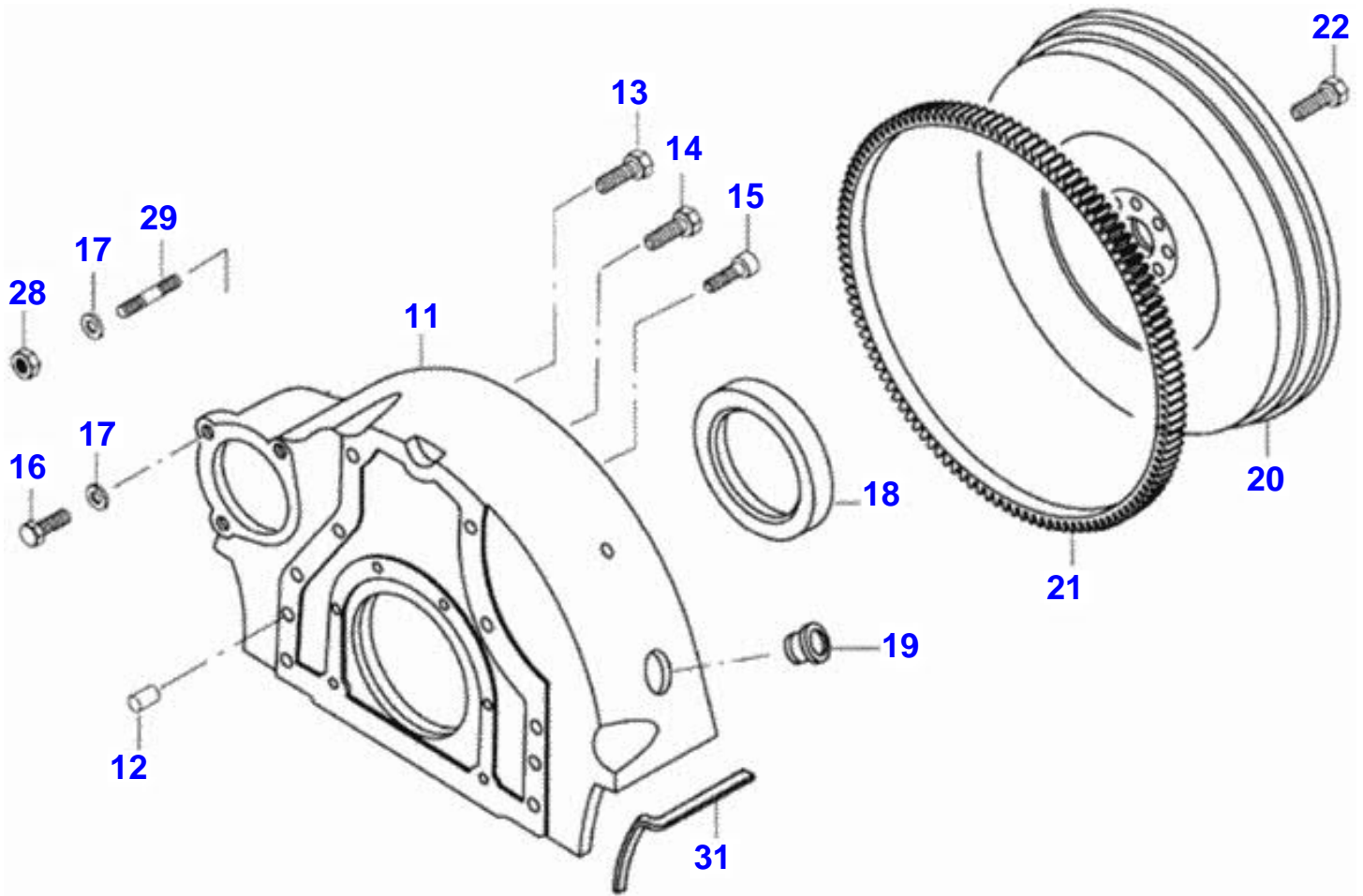
Enter the link into your browser.

The full manual is available for immediate download.

**<https://www.ebooklibonline.com>**

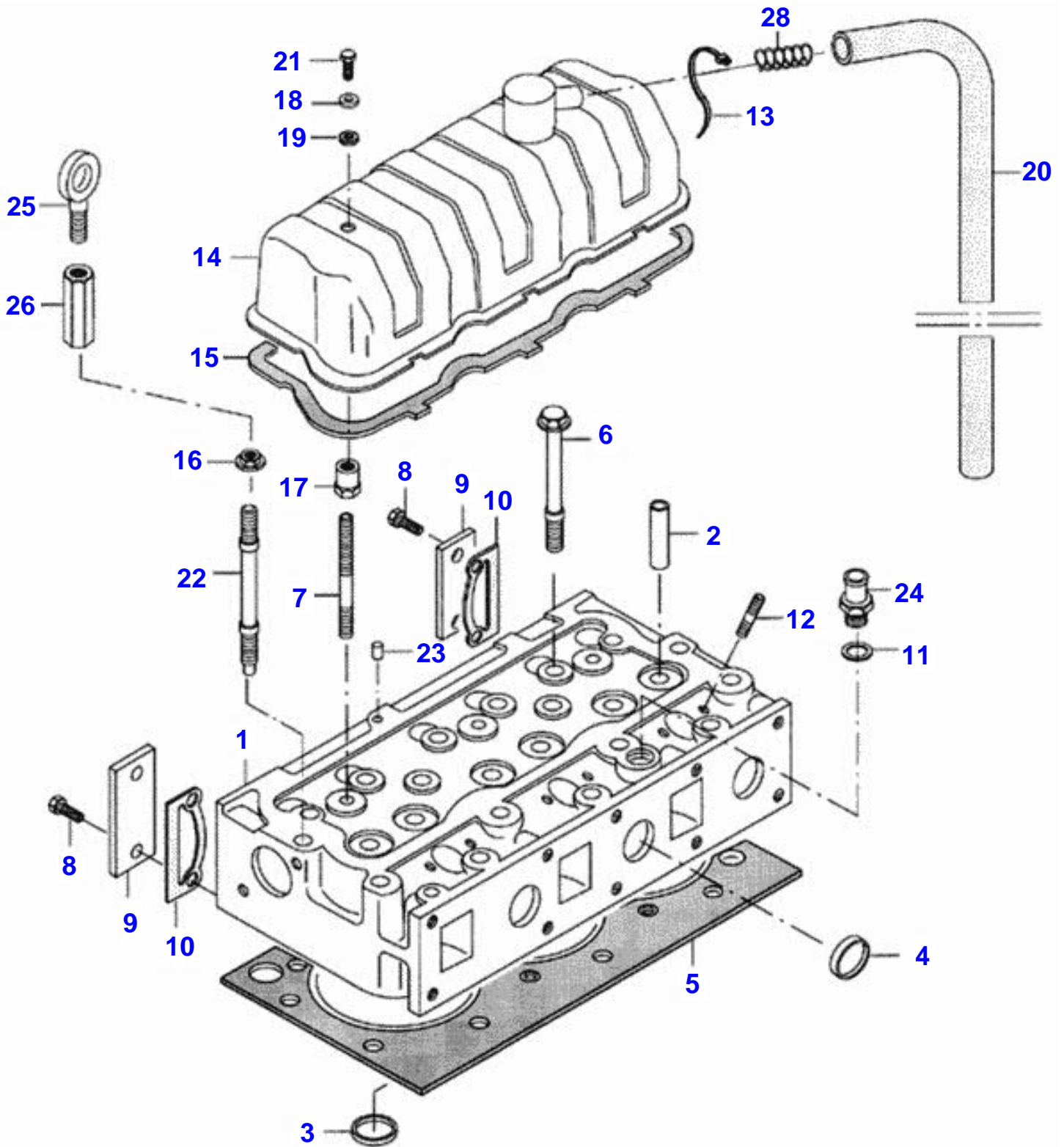
## 20 - CYLINDER BLOCK

Item	Part Number	Qty	Description
1	V836667523	1	Assy cylinder block
2	V836322610	1	Bushing
4	V836214478	6	Guide bushing
6	V836214478	2	Guide bushing
7	V529903180	8	Screw
8	V836666990	3	Cylinder liner Flange s=9,03 std
	V836647933	3	Cylinder liner Flange s=9,08mm
	V836647934	3	Cylinder liner Flange s=9,13mm
	V836647935	3	Cylinder liner Flange s=9,23mm
9	V836647502	6	O-ring, cylinder liner S2
10	V836647503	3	O-ring, cylinder liner S2
11	V640016016	4	Plug ring cylinder block
12	V836529872	1	Plug
13	V836014334	1	Pipe
14	V640325110	2	Plug
15	V615571014	2	Seal ring S2
16	V887283760	1	Pressure switch
17	V528801362	2	Screw
18	V836659543	1	Cover
	V836647400	1	Cover
19	V836647401	1	Gasket feed pump S2
	V836659544	1	Gasket S2
20	V640325018	2	Plug
21	VKH3617	2	Seal ring
22	V836019756	1	Plug
23	V640016018	1	Plug
24	V640016012	1	Cover
36	V615881824	1	Seal ring
	V836640289	1	Gasket set S1
	V836640356	1	Gasket set S1+S2 S1 + S2



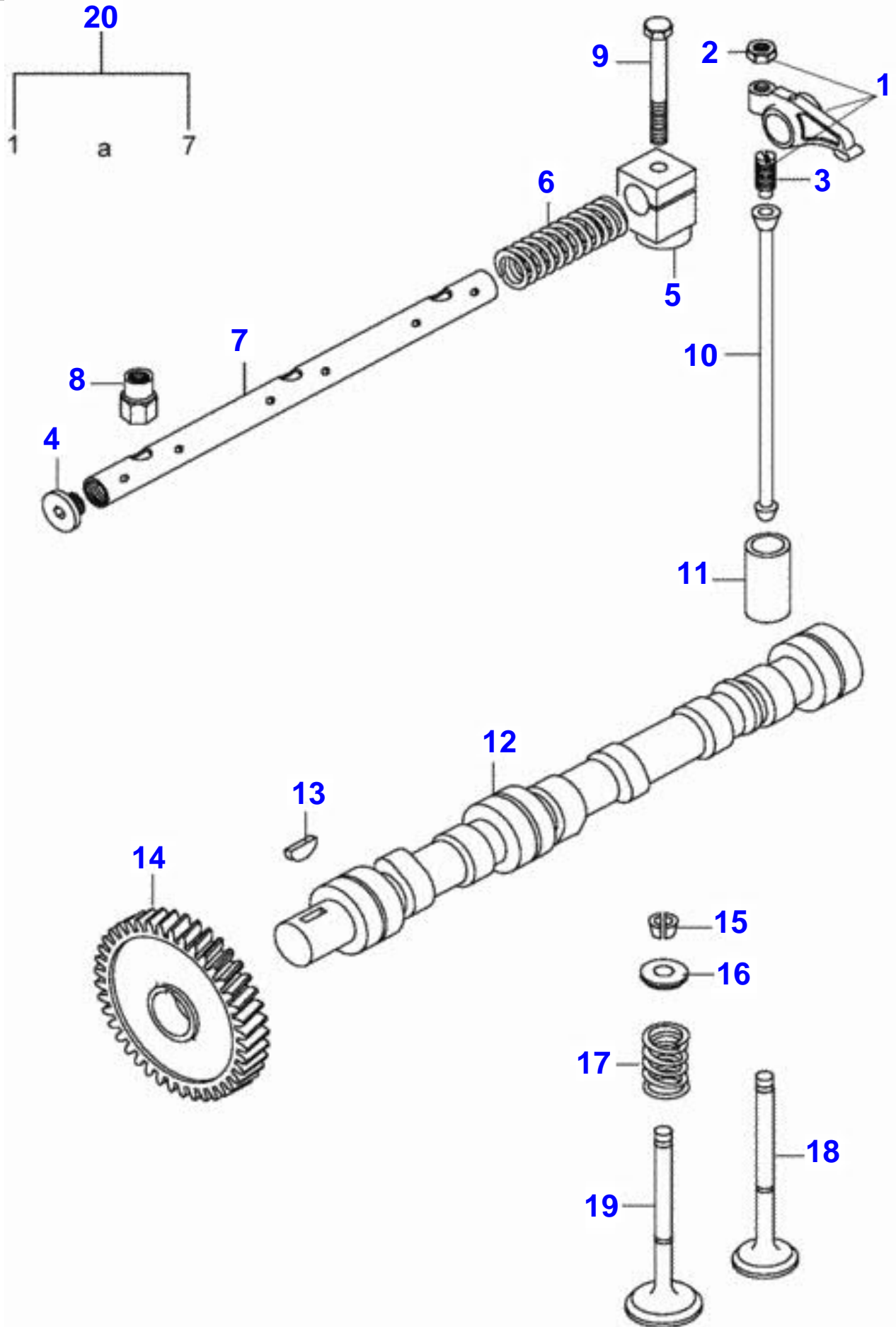
## 20 - FLYWHEEL AND GEAR RIM

Item	Part Number	Qty	Description
11	V836752443	1	Housing
12	V598359850	2	Pin
13	V581705440	2	Screw
14	V528902220	7	Screw
15	V581705030	6	Screw
16	V528801800	3	Screw
17	V500951000	3	Washer
18	V614500002	1	Oil seal, crankshaft S2
19	V836007572	1	Plug
20	V453064283	1	Flywheel
21	V836117970	1	Gear rim Z=128
22	V528902230	7	Screw
28	V504601000	3	Nut
29	V546801800	3	Stud bolt
31	V31058600	1	Left gasket
	V31085600	1	Left gasket

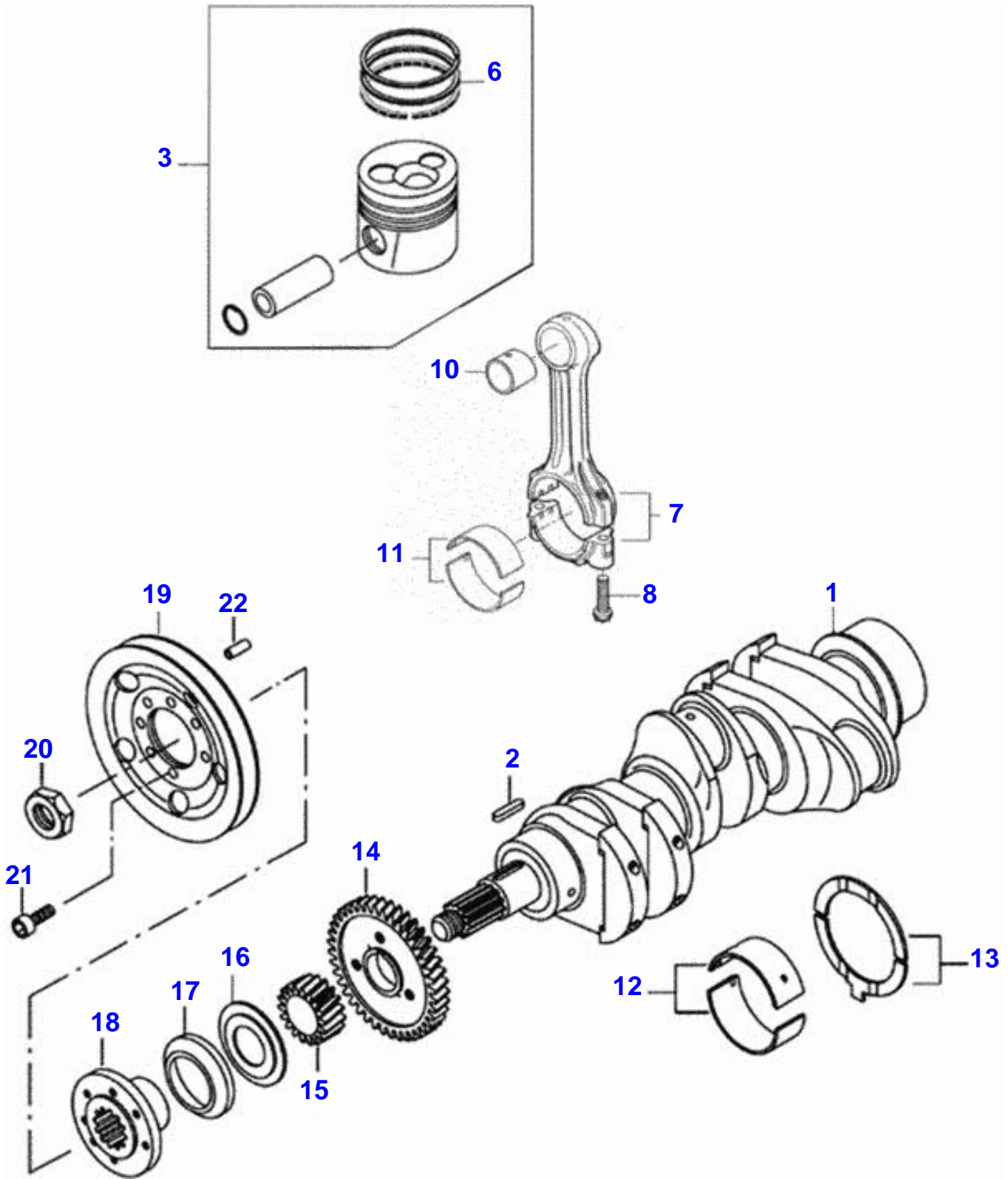


## 20 - CYLINDER HEAD

Item	Part Number	Qty	Description
1	V836855381	1	Cylinder head
2	V836673175	6	Valve guide
3	V836647600	3	Valve seat
4	V836647942	5	Cover
5	V837070290	1	Cylinder head gasket S1
6	V836646383	15	Screw
7	V546801900	2	Stud bolt
8	V528801800	4	Screw
9	V836855350	2	Cover
10	V836855417	2	Gasket S1
11	V615881822	1	Support of the seal S1
12	V546901435	6	Stud bolt
13	V835329746	1	Clamp
14	V836646359	1	Cover
15	V836646360	1	Gasket valve cover S1
16	V836859110	2	Nut
17	V836655406	2	Nut
18	V836119855	2	Washer
19	V836012841	2	Rubber washer S1
20	V836647814	1	Hose
21	V528801780	2	Screw
22	V836859109	2	Stud bolt
23	V595953360	1	Pin
24	V836119837	1	Connection
25	V836640252	1	Lifteye
26	V836647835	1	Extension
28	V836659103	1	Spring

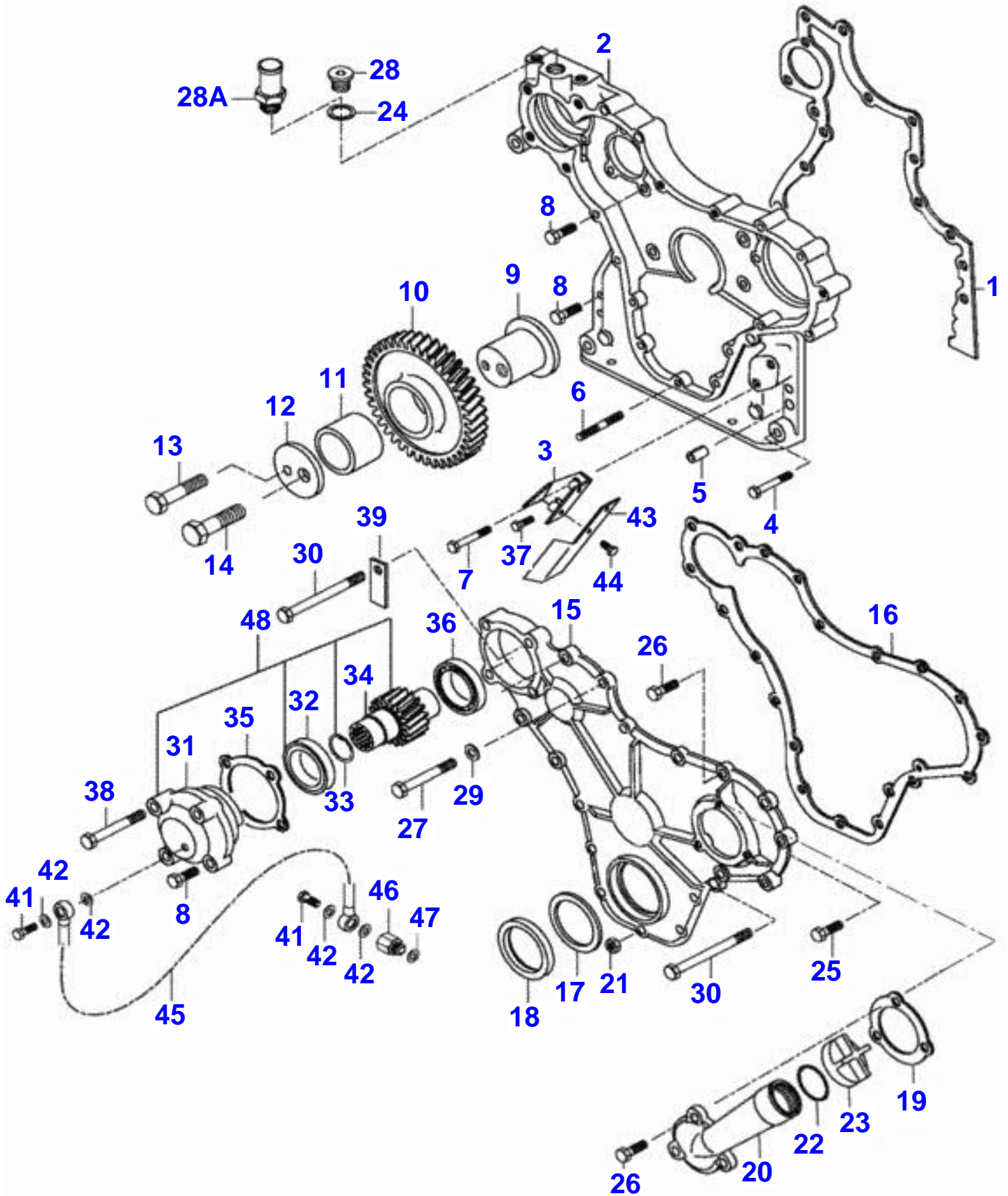


Item	Part Number	Qty	Description
1	V836666608	6	Assy rocker arm
2	V512861000	6	Nut
3	V836655866	6	Screw
4	V836655899	2	Plug
5	V836655869	3	Bracket
6	V836655884	2	Spring
7	V836655870	1	Shaft
8	V836655406	2	Nut
9	V529801910	1	Screw
10	V836655867	6	Push rod
11	V836014264	6	Valve tappet
12	V836646374	1	Camshaft
13	V603305760	1	Shifting
14	V836646389	1	Gear
15	V836646382	12	Valve cotter
16	V836646381	6	Spring plate
17	V836646380	6	Spring
18	V836646357	3	Exhaust vale
19	V836646356	3	Intake valve
20	V836666610	1	Valve mechanism - assembly Ref. 1,2,3,4,5,6, e 7.



## 20 - CRANKSHAFT MECHANISM

Item	Part Number	Qty	Description
1	V836647314	1	Crankshaft
2	V603345110	1	Shifting
3	V836655269	3	Complete piston
6	V836640126	3	Piston ring set
7	V82659700	1	Connecting rod 3 cylinders Kit
	V836666430	3	Con rod witout bearing F 1935 - 1954g
	V836666431	3	Con rod witout bearing V 1955 - 1974g
	V836666432	3	Con rod witout bearing X 1975 - 1994g
	V836666433	3	Con rod witout bearing Y 1995 - 2014g
	V836666434	3	Con rod witout bearing W 2015 - 2034 g
	V836666435	3	Con rod witout bearing Z 2035 - 2054g
	V836666436	3	Con rod witout bearing G 2055 - 2074 g
8	V836864141	6	Screw
10	V836646271	3	Bushing
11	V836110552	3	Big-end bearing STD
12	V836655514	4	Big-end bearing STD
13	V836119459	2	Thrust washer STD
14	V836120019	1	Gear
15	V836122840	1	Gear
16	V836129781	1	Ring
17	V836136271	1	Dust cover
18	V836846463	1	Hub
19	V836655449	1	Pulley
20	V836647310	1	Nut
21	V581804600	6	Screw
22	V595953360	1	Pin





**Suggest:**

**For more complete manuals. Please go to the home page.**

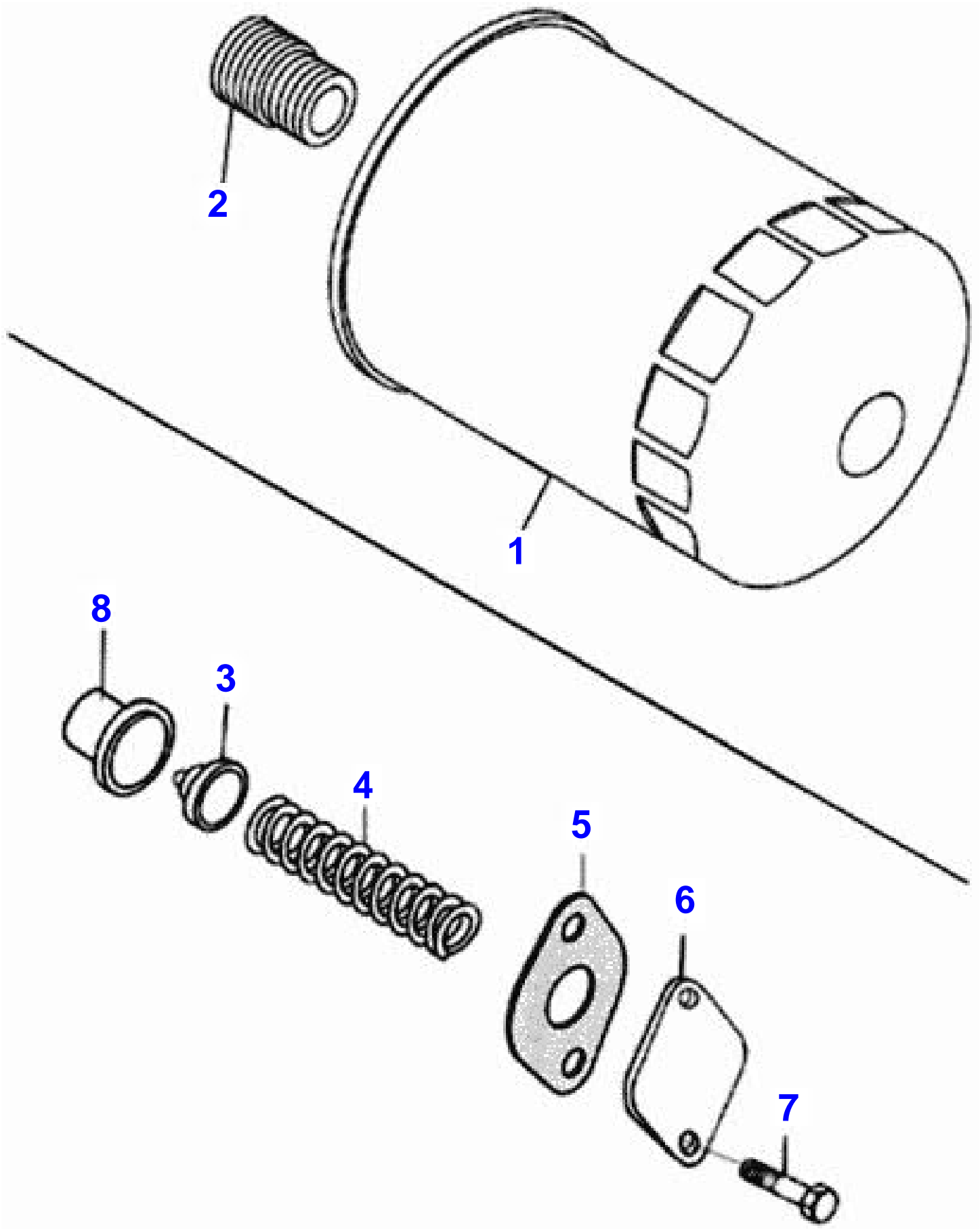
**<https://www.ebooklibonline.com>**

**If the above button click is invalid. Please download this document first, and then click the above link to download the complete manual.**

**Thank you so much for reading**

## 20 - GEAR HOUSING

Item	Part Number	Qty	Description
1	V836647419	1	Gasket gear housing S2
2	V836652221	1	Gear housing
3	V836655720	1	Indicator
4	V529801440	2	Screw
5	V598359850	4	Pin
6	V546801380	5	Stud bolt
7	V529801450	1	Screw
8	V528801400	10	Screw
9	V836138356	1	Shaft
10	V836138354	1	Gear assy
11	V836139039	1	Bushing
12	V836129845	1	Washer
13	V528801910	1	Screw
14	V529902720	1	Screw
15	V836647575	1	Cover
16	V835336796	1	Gasket front cover S2
17	V836129782	1	Shield ring
18	V614105880	1	Oil seal, crankshaft S2
19	V836129946	1	Gasket front cover S2
20	V835338325	1	Pipe
21	V504800800	5	Nut
22	V614603540	1	O-ring cover S2
23	V836017927	1	Plug
24	VKH6317	1	Seal ring
25	V528801420	3	Screw
26	V528801382	5	Screw
27	V529801470	3	Screw
28A	V836119851	1	Plug
29	V836120989	1	Washer
30	V529801500	2	Screw
31	V836655230	1	Bearing housing
32	VLA1014	1	Bearing
33	VKG3031	1	Circlip
34	V836122843	1	Shaft
35	V835336793	1	Gasket, bearing cover S2
36	V610060090	1	Bearing
38	V529801460	3	Screw
39	V836083428	1	Fastening plate
41	V640435008	2	Banjo bolt
42	V615870610	4	Seal washer
43	V836659093	1	Belt cover
44	V528801082	2	Screw
45	V82664500	1	Hose
46	V836655736	1	Connection
47	V615571014	1	Seal ring
48	V836655232	1	Assy hydraulic pump drive



**<https://www.ebooklibonline.com>**

Hello dear friend!

Thank you very much for reading.

Enter the link into your browser.

The full manual is available for immediate download.

**<https://www.ebooklibonline.com>**