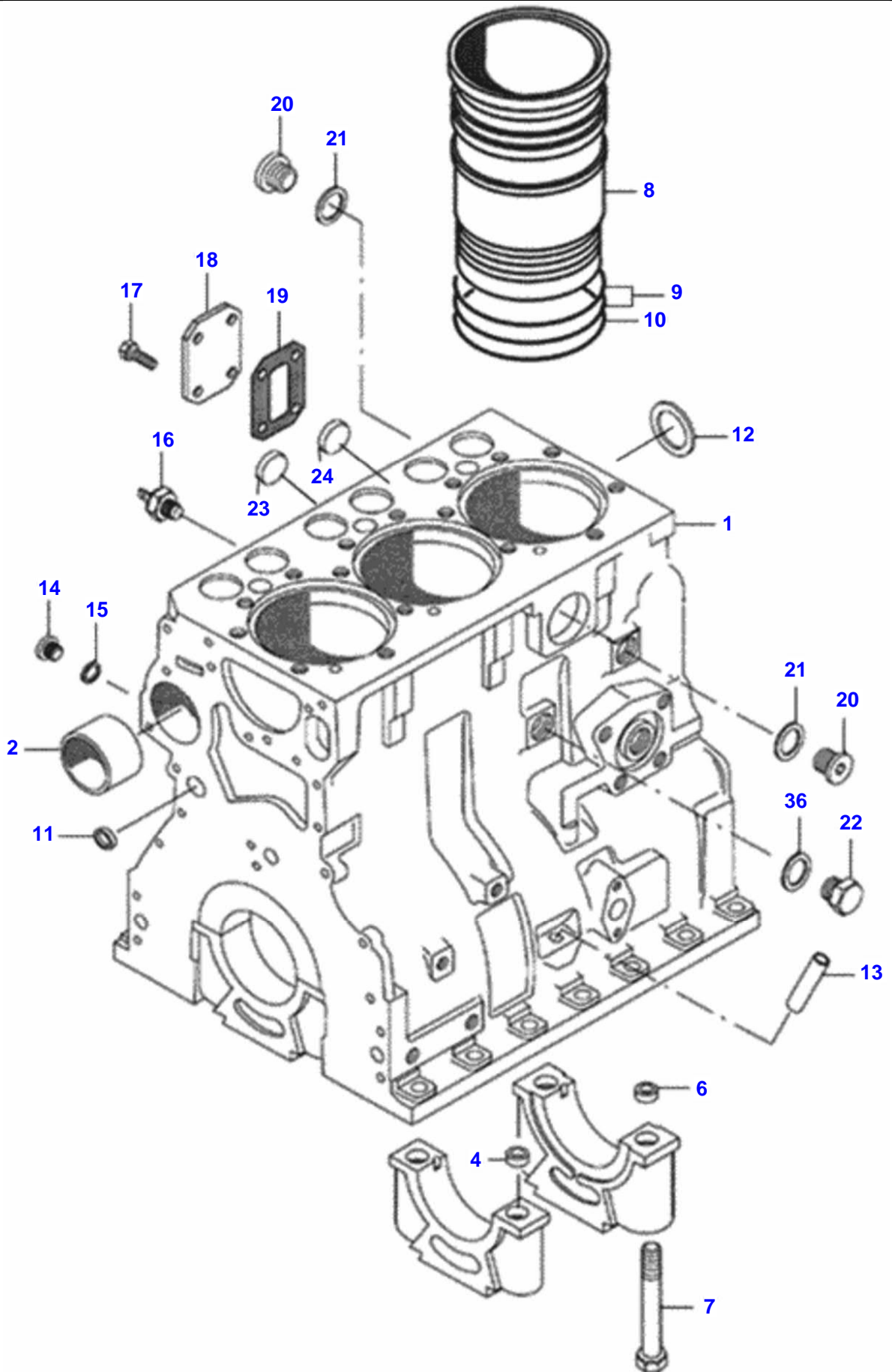


Page Title	Page Number
Cylinder Block	020-0010
Flywheel And Gear Rim	020-0015
Cylinder Head	020-0020
Valves Mechanism	020-0025
Crankshaft Mechanism	020-0030
Gear Housing	020-0035
Oil Filter	020-0040
Sump	020-0045
Air Filter	020-0050
Inlet And Exhaust Manifold	020-0055
Muffler	020-0060
Muffler	020-0065
Sedimentation Filter	020-0070
Fuel Filter	020-0075
Injection Pump	020-0080
Throttle System	020-0085
Radiator	020-0090
Water Pump And Fan	020-0095
Gasket Set S1	020-0100
Gasket Set S1+S2	020-0105
Repair Kit	020-0110

BF 65 TRACTOR (BR) - C006502
0000405



Cylinder Block

Item	Part Number	Qty	Description	Comments
1	V836667523	1	Assy	
2	V836322610	1	Bush	
4	V836214478	6	Guide Bushing	
6	V836214478	2	Guide Bushing	
7	V529903180	8	Screw	
8	V836647933	3	Liner	Flange s=9,08mm
	V836647935	3	Liner	Flange s=9,23mm
	V836666990	3	Liner	Flange s=9,03 st
	V836647934	3	Liner	Flange s=9,13mm
9	V836647502	6	Collet	S2
10	V836647503	3	Collet	S2
11	V640016016	4	Plug	
12	V836529872	1	Pad	
13	V836014334	1	Pipe	
14	V640325110	2	Plug	
15	V615571014	2	Washer	S2
16	V887283760	1	Pressure Sensor	
17	V528801362	2	Bolt	
18	V836647400	1	Cover	
	V836659543	1	Cover	
19	V836659544	1	Gasket	S2
	V836647401	1	Gasket	S2
20	V640325018	2	Plug	
21	VKH3617	2	Collet	
22	V836019756	1	Plug	
23	V640016018	1	Plug	
24	V640016012	1	Plug	
36	V615881824	1	O-Ring	
	V836640356	1	Gasket Set S1+S2	S1 + S2
	V836640289	1	Kit, Joint	S1

<https://www.ebooklibonline.com>

Hello dear friend!

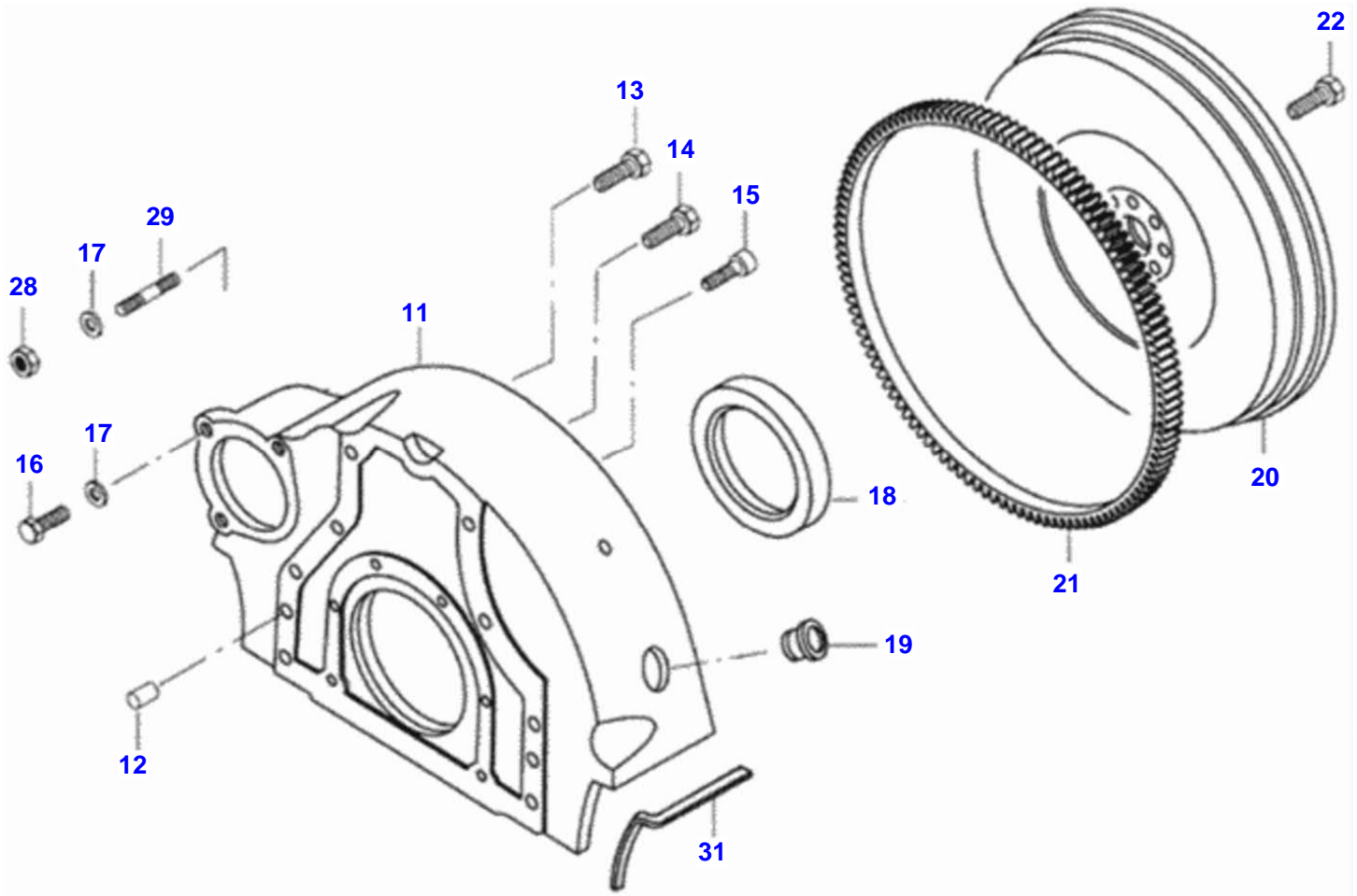
Thank you very much for reading.

Enter the link into your browser.

The full manual is available for immediate download.

<https://www.ebooklibonline.com>

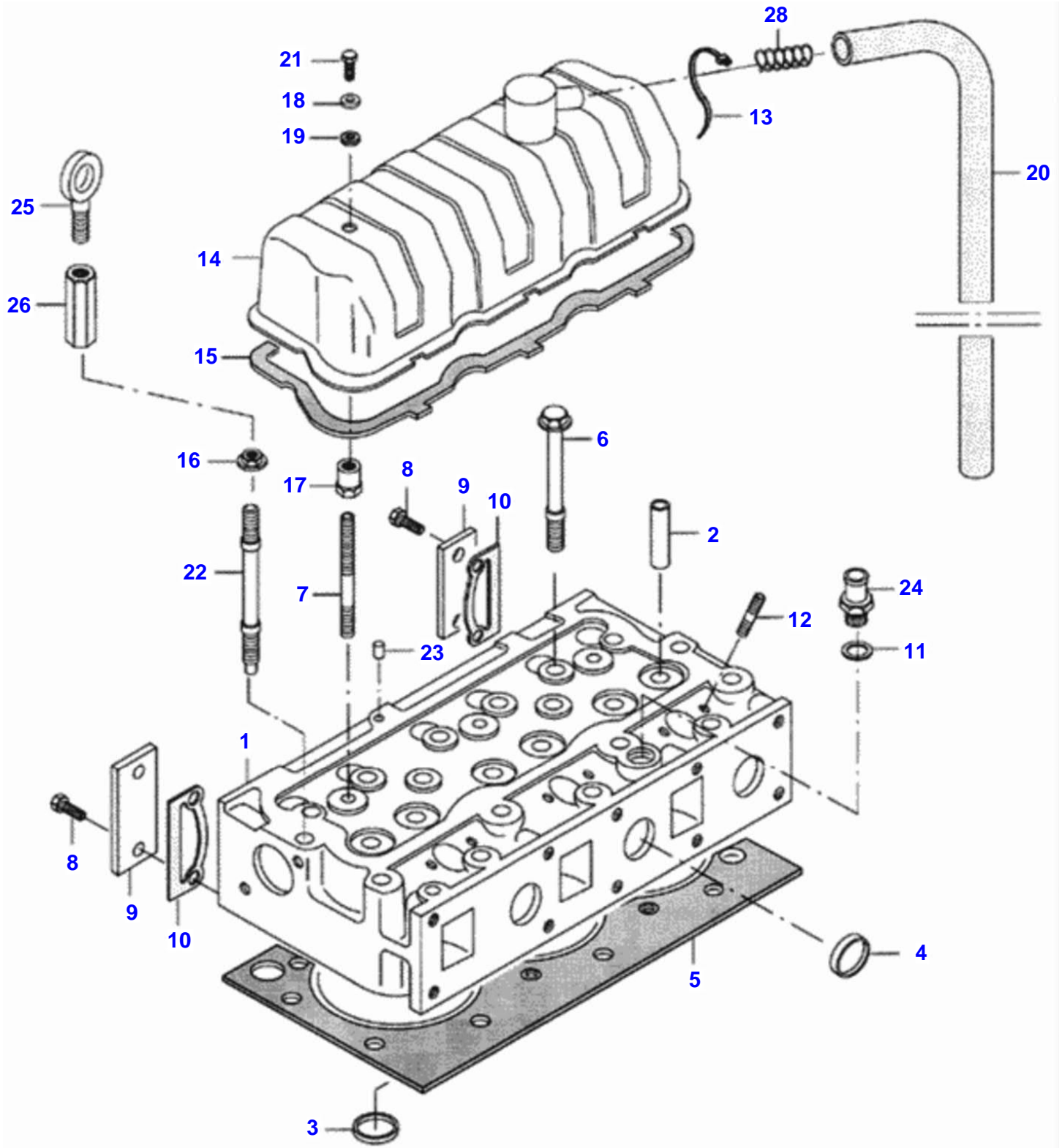
BF 65 TRACTOR (BR) - C006502
00000406



Flywheel And Gear Rim

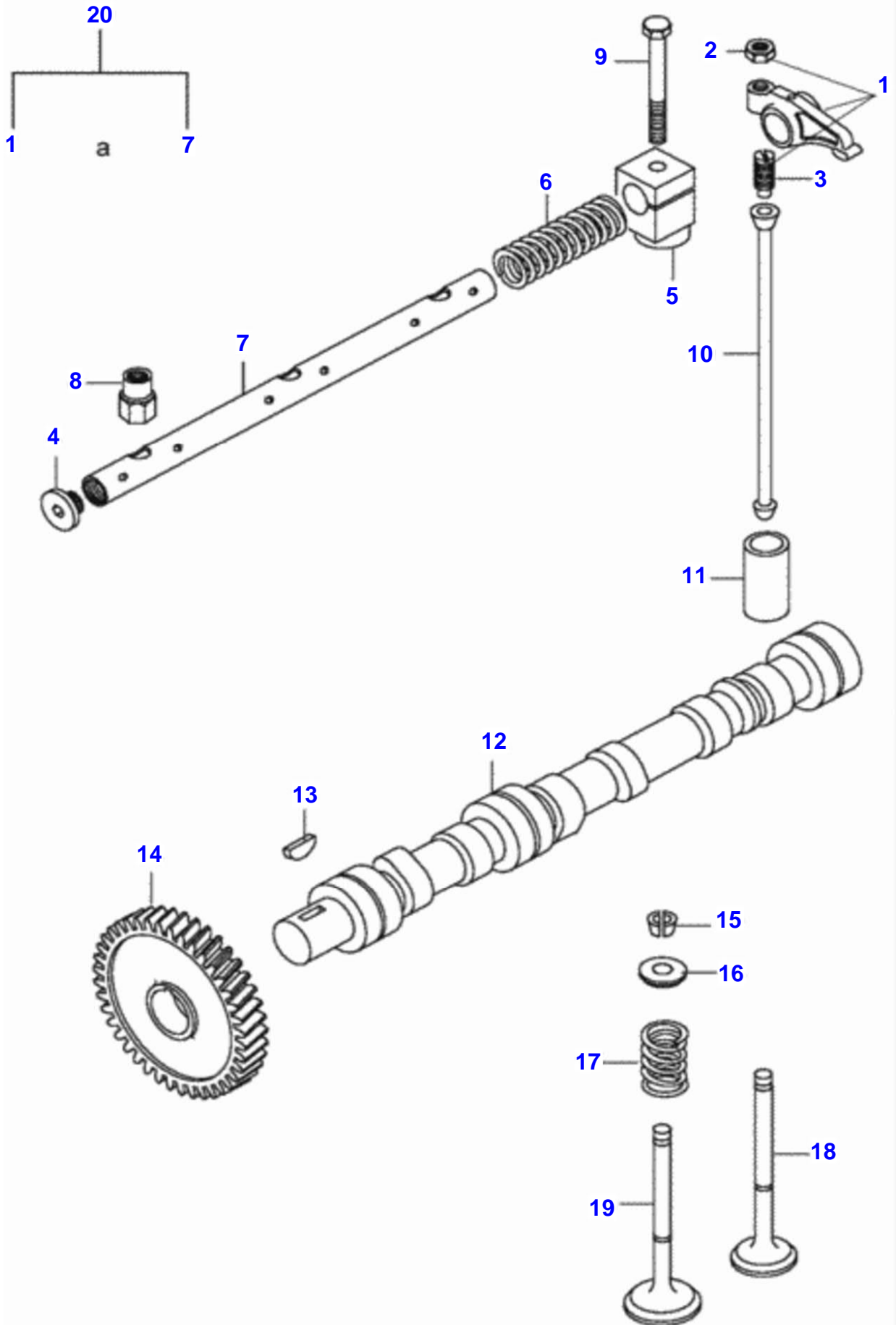
Item	Part Number	Qty	Description	Comments
11	V836752443	1	Housing	
12	V598359850	2	Pin	
13	V581705440	2	Bolt	
14	V528902220	7	Bolt	
15	V581705030	6	Screw	
16	V528801800	3	Screw	
17	V500951000	3	Washer	
18	V614500002	1	Seal	S2
19	V836007572	1	Plug	
20	V453064283	1	Flywheel	
21	V836117970	1	Starter Ring	Z=128
22	V528902230	7	Screw	
28	V504601000	3	Nut	
29	V546801800	3	Dog	
31	V31058600	1	Left Gasket	
	V31085600	1	Left Gasket	

BF 65 TRACTOR (BR) - C006502
00000407



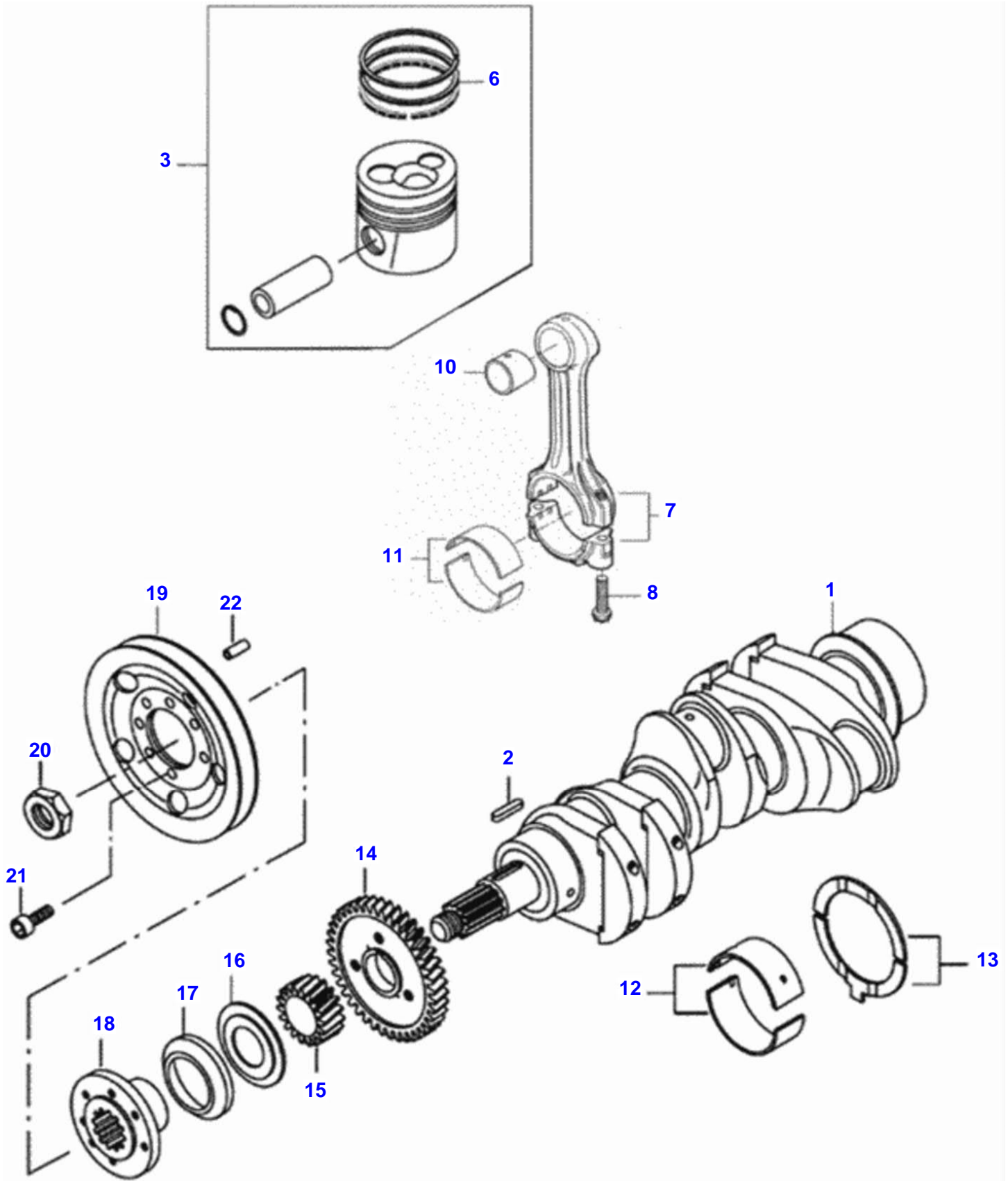
Cylinder Head

Item	Part Number	Qty	Description	Comments
1	V836855381	1	Head	
2	V836673175	6	Valve Guide	
3	V836647600	3	Valve Seat	
4	V836647942	5	Pad	
5	V837070290	1	Head Gaskets	S1
6	V836646383	15	Screw	
7	V546801900	2	Dog	
8	V528801800	4	Screw	
9	V836855350	2	Cover	
10	V836855417	2	Gasket	S1
11	V615881822	1	Collet	S1
12	V546901435	6	Dog	
13	V835329746	1	Clamp	
14	V836646359	1	Cover	
15	V836646360	1	Gasket	S1
16	V836859110	2	Nut	
17	V836655406	2	Nut	
18	V836119855	2	Washer	
19	V836012841	2	Washer	S1
20	V836647814	1	Hose	
21	V528801780	2	Bolt	
22	V836859109	2	Dog	
23	V595953360	1	Pin	
24	V836119837	1	Connection	
25	V836640252	1	Eyelet	
26	V836647835	1	Nut	
28	V836659103	1	Spring	



Valves Mechanism

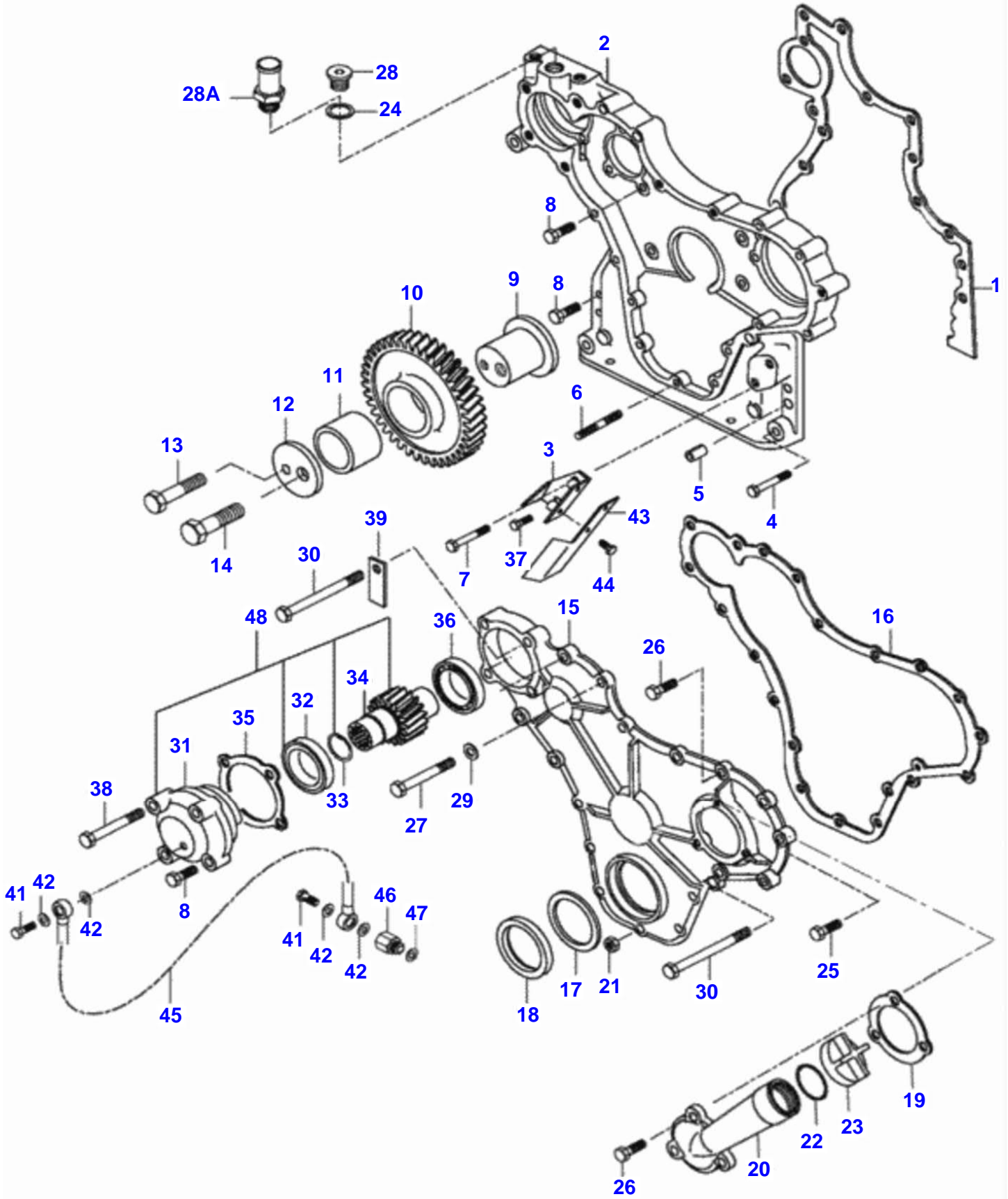
Item	Part Number	Qty	Description	Comments
1	V836667042	6	Complete	
2	V512861000	6	Nut	
3	V837069023	6	Bolt	
4	V837069020	2	Plug	
5	V836666609	3	Bracket	
6	V836655884	2	Spring	
7	V836655870	1	Shaft	
8	V836655406	2	Nut	
9	V529801910	1	Screw	
10	V836655867	6	Rod	
11	V836014264	6	Tappet	
12	V836646374	1	Shaft	
13	V603305760	1	Key	
14	V836646389	1	Gear	
15	V836646382	12	Valve Cotter	
16	V836646381	6	Spring Plate	
17	V837073405	6	Spring	
18	V836646357	3	Valve Exhaust	
19	V836646356	3	Valve Inlet	
20	V836667043	1	Parts Pack	Ref. 1,2,3,4,5,6



Crankshaft Mechanism

Item	Part Number	Qty	Description	Comments
1	V836647314	1	Crankshaft	
2	V603345110	1	Key	
3	V88605300	3	Complete Piston	
6	V836640126	3	Piston Ring Set	
7	V82659700	1	Kit, Conrod	
8	V836864141	6	Screw	
10	V836646271	3	Bush	
11	V836112765	3	Slider Bearing	
	V836112763	3	Slider Bearing	
	V836112762	3	Slider Bearing	
	V836112767	3	Slider Bearing	
	V836110552	3	Big End Bearing	
12	V836655539	4	Big-end Bearing	
	V836655538	4	Big-end Bearing	
	V836655514	4	Big-end Bearing	
	V836655537	4	Big-end Bearing	
13	V836120332	2	Washer	0,10mm
	V836119459	2	Washer	STD
	V836120333	2	Washer	0,20mm
14	V836120019	1	Gear	
15	V836122840	1	Gear	
16	V836129781	1	Ring	
17	V836136271	1	Dustcap	
18	V836846463	1	Hub	
19	V836655449	1	Pulley	
20	V836647310	1	Nut	
21	V581804600	6	Bolt	
22	V595953360	1	Pin	

BF 65 TRACTOR (BR) - C006502
00003388



Gear Housing

Item	Part Number	Qty	Description	Comments
1	V836647419	1	Gasket	S2
2	V836652221	1	Timing Gear Case	
3	V836655720	1	Gauge	
4	V529801440	2	Screw	
5	V598359850	4	Pin	
6	V546801380	5	Dog	
7	V529801450	1	Bolt	
8	V528801400	10	Bolt	
9	V836138356	1	Shaft	
10	V836138354	1	Gear	
11	V836139039	1	Bush	
12	V836129845	1	Flange	
13	V528801910	1	Bolt	
14	V529902720	1	Screw	
15	V836647575	1	Cover	
16	V835336796	1	Gasket	S2
17	V836129782	1	Collet	
18	V614105880	1	Seal	S2
19	V836129946	1	Gasket	S2
20	V835338325	1	Right Tube	
21	V504800800	5	Nut	
22	V614603540	1	Collet	S2
23	V836017927	1	Cover	
24	VKH6317	1	O-Ring	
25	V528801420	3	Bolt	
26	VHA6323	5	Screw	
27	V529801470	3	Bolt	
28	V836114958	1	Plug	
29	V836120989	1	Washer	
30	V529801500	2	Screw	
31	V836655230	1	Bearing Housing	
32	VLA1014	1	Bearing	
33	VKG3031	1	Circlip	
34	V836122843	1	Shaft	
35	V835336793	1	Gasket	S2
36	V610060090	1	Bearing	
38	V529801460	3	Screw	
39	V836083428	1	Fastening Plate	
41	V640435008	2	Bolt	
42	V615870610	4	Washer	
43	V836659093	1	Belt Cover	
44	V528801082	2	Bolt	
45	V82664500	1	Hose	
46	V836655736	1	Connection	
47	V615571014	1	Washer	
48	V836655232	1	Assy	



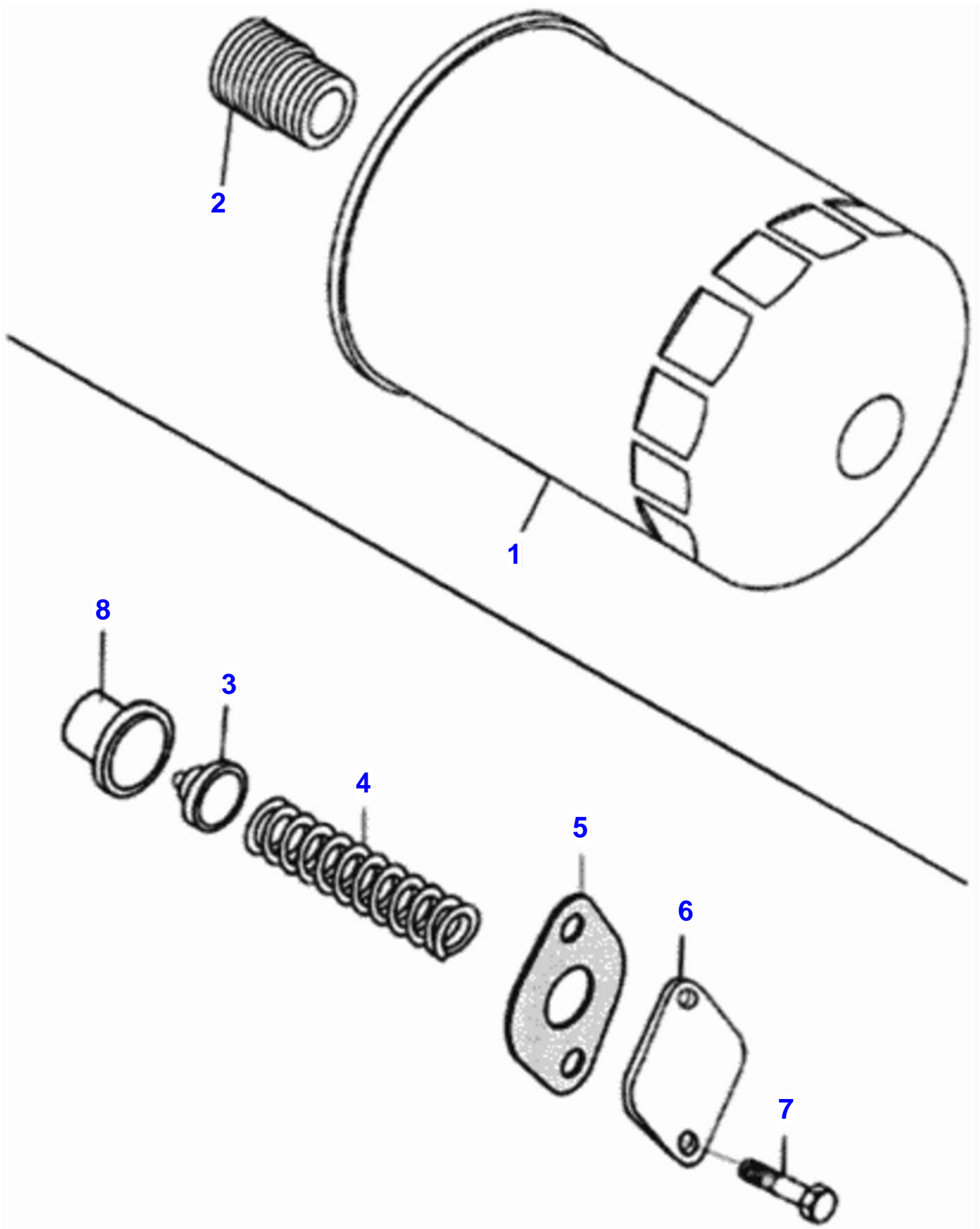
Suggest:

For more complete manuals. Please go to the home page.

<https://www.ebooklibonline.com>

If the above button click is invalid. Please download this document first, and then click the above link to download the complete manual.

Thank you so much for reading



Oil Filter

Item	Part Number	Qty	Description	Comments
1	V836647133	1	Oil Filter	
2	V836647404	1	Connection	
3	V836659522	1	Plate	
4	V836659523	1	Spring	
5	V836322190	1	Gasket	S2
6	V836129849	1	Cover	
7	VHA9230	2	Screw	
8	V836659521	1	Retention	

<https://www.ebooklibonline.com>

Hello dear friend!

Thank you very much for reading.

Enter the link into your browser.

The full manual is available for immediate download.

<https://www.ebooklibonline.com>