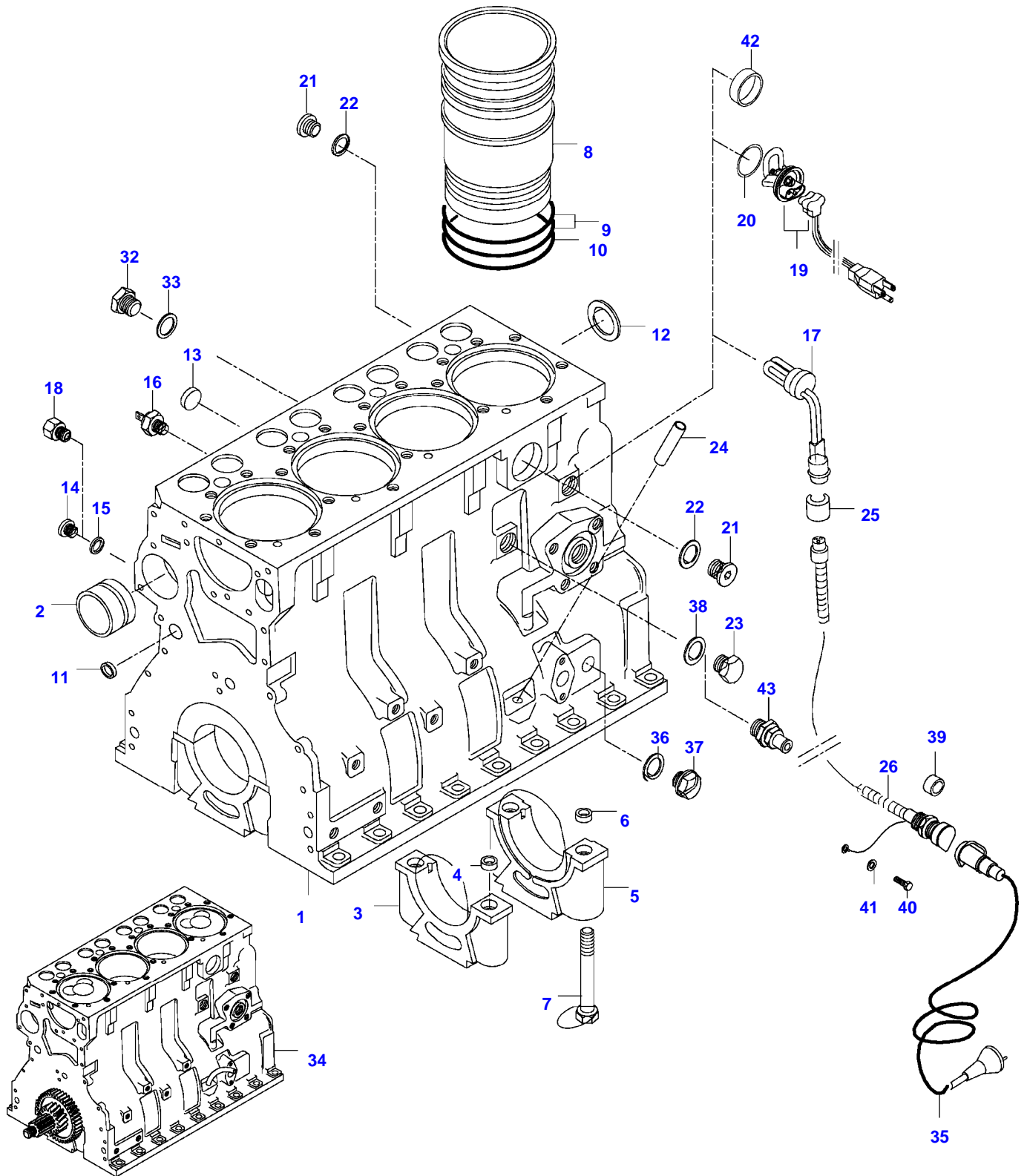


Page Number	Page Title	Page Reference
01-000-TOC	ENGINE, FUEL AND EXHAUST SYSTEM	01-000-TOC
02-000-TOC	AXLES	02-000-TOC
03-000-TOC	STEERING SYSTEM	03-000-TOC
04-000-TOC	DRIVE TRAIN SYSTEM	04-000-TOC
05-000-TOC	BRAKE SYSTEM	05-000-TOC
06-000-TOC	COMPRESSED AIR SYSTEM	06-000-TOC
07-000-TOC	HYDRAULIC SYSTEM	07-000-TOC
08-000-TOC	ELECTRICAL SYSTEM	08-000-TOC
09-000-TOC	CAB	09-000-TOC
10-000-TOC	AIR CONDITIONING AND HEATING SYSTEM	10-000-TOC
11-000-TOC	CHASSIS	11-000-TOC
12-000-TOC	DECALS	12-000-TOC
13-000-TOC	WHEELS	13-000-TOC
14-000-TOC	IMPLEMENT DRIVE SYSTEM	14-000-TOC
15-000-TOC	IMPLEMENT LIFT SYSTEM FRONT	15-000-TOC
16-000-TOC	IMPLEMENT LIFT SYSTEM REAR	16-000-TOC
17-000-TOC	ATTACHMENTS	17-000-TOC
18-000-TOC	GENERAL INFORMATION	18-000-TOC

Page Number	Page Title	Page Reference
01-0001	CYLINDERBLOCK	21-04
01-0002	FLYWHEEL AND HOUSING	21-06
01-0003	CYLINDER HEAD	21-10
01-0004	VALVE MECHANISM	21-14
01-0005	CRANK MECHANISM	21-18
01-0006	GEAR HOUSING	21-20
01-0007	OIL SUMP	21-24
01-0008	OIL FILTER	21-26
01-0009	AIR CLEANER	21-28
01-0010	TURBO-CHARGER	21-32
01-0011	INTAKE- AND EXHAUST PIPE -N19163(M)	21-36
01-0012	INTAKE- AND EXHAUST PIPE N19164-(M)	21-36A
01-0013	MUFFLER	21-42
01-0014	FEED PUMP	22-04
01-0015	FUEL FILTER -N19163(M)	22-08
01-0016	FUEL FILTER N19164-(M)	22-08A
01-0017	PREFILTER, FUEL -N19163(M)	22-10
01-0018	FUEL PIPES	22-12
01-0019	INJECTION PUMP -N19163(M)	22-18
01-0020	INJECTION PUMP N19164-(M)	22-18A
01-0021	INJECTOR, DISTRIBUTOR PUMP	22-20
01-0022	SPEED LEVERS	22-22
01-0023	SPEED LEVERS, FOREST	22-24
01-0024	RADIATOR	23-02
01-0025	COOLANT PUMP	23-04
01-0026	STARTERMOTOR	31-02
01-0027	ALTERNATOR -N19163(M)	31-04
01-0028	ALTERNATOR N19164-(M)	31-04A
01-0029	ENGINE REPAIR KIT AND BEARINGS	28-10

A95 TRACTOR (A SERIES)
SPIMG-003-21-04



<https://www.ebooklibonline.com>

Hello dear friend!

Thank you very much for reading.

Enter the link into your browser.

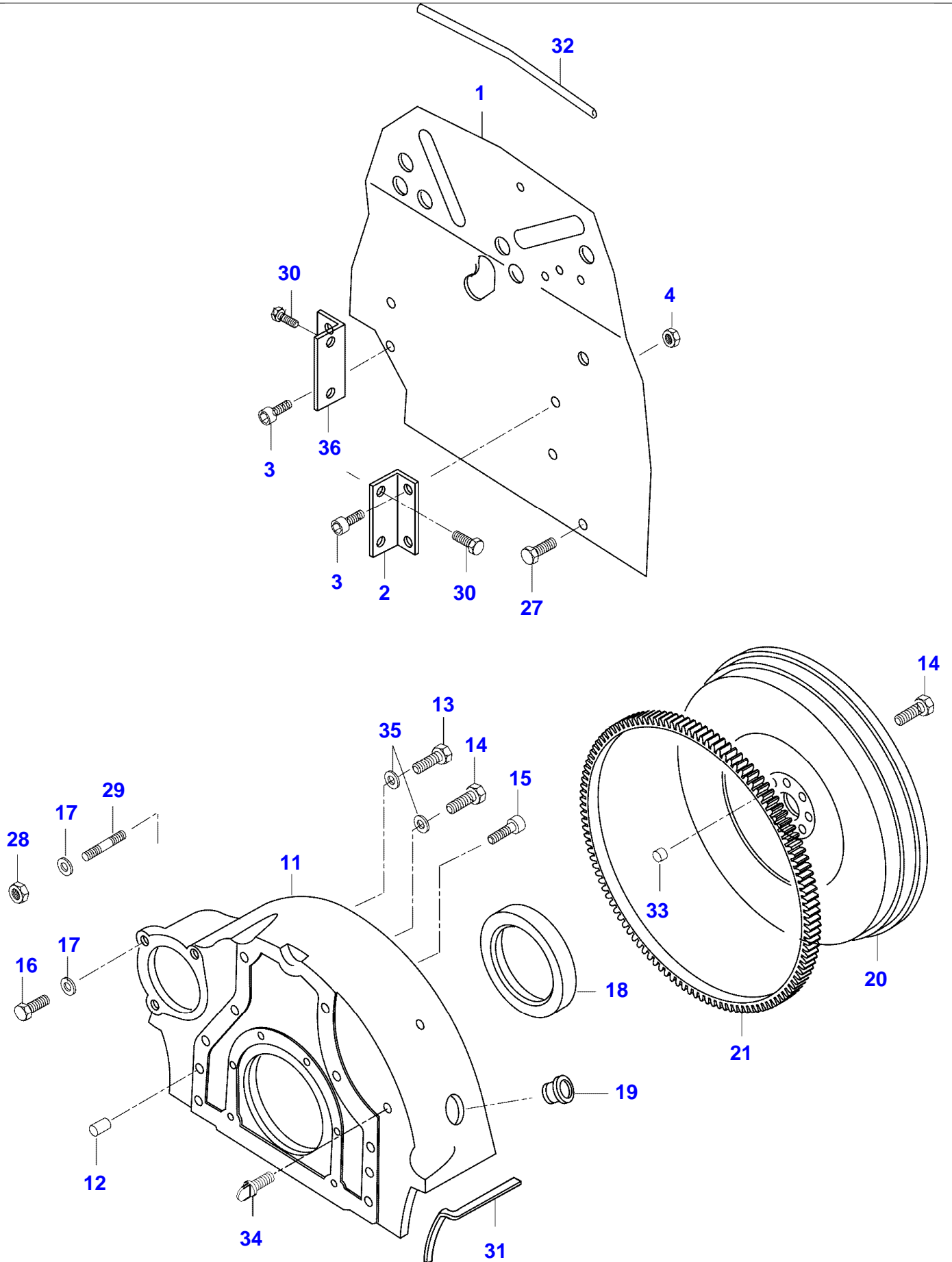
The full manual is available for immediate download.

<https://www.ebooklibonline.com>

Item	Part Number	Qty	Description Comments	Technical Specification
1	V836766377	1	CYLINDER BLOCK	
2	V836866069	1	CAMSHAFT BEARING BUSHING	
3	NS	4	NON-SERVICEABLE PART	
4	V836214478	8	BEARING COVER GUIDE SLEEVE	
5	NS	1	NON-SERVICEABLE PART	
6	V836214478	2	BEARING COVER GUIDE SLEEVE	
7	V835329030	10	HEX CAP SCREW	
8	V836666910	4	OIL DIPSTICK GUIDE PIPE	
	V836647933		LINER FLANGE S=9.08	FLANGE HEIGHT + 0.05 MM
	V836647934		LINER FLANGE S=9.13	FLANGE HEIGHT + 0.10 MM
	V836647935		LINER FLANGE S=9.13	FLANGE HEIGHT + 0.15 MM
9	V836647502	8	CYLINDER LINER O-RING S2	
10	V836647503	4	CYLINDER LINER O-RING S2	
11	V640016016	4	CUP PLUG	
12	V836529872	1	PLUG	
13	V640016018	1	CUP PLUG	
14	V640325110	2	SCREW PLUG	
15	V615571014	2	SEALING WASHER S2	
16	V887283760	1	PRESSURE SWITCH	
17	V836647622	1	ENGINE BLOCK HEATER	
18	V836655736	1	UNION	
19	V836640935	1	ENGINE BLOCK HEATER CANADA	
20	V836640999	1	O-RING CANADA	
21	V640325018	2	PLUG	
22	V615881822	2	SEALING WASHER	
23	V836019756	1	PLUG	
24	V836014334	1	OIL DIPSTICK GUIDE PIPE -N19163(M)	
	V836666910	1	OIL DIPSTICK GUIDE PIPE N19164-(M)	
25	V33550000	1	ROD CLAMP	
26	V33733700	1	CABLE MINI	L=1500
27	V836655927	1	BRACKET	
28	V581805800	2	HEX SOCKET SCREW	
29	V572502582	3	SCREW	
30	V503050432	2	WASHER	
31	V504600402	3	NUT	
32	V836119079	1	PLUG	
33	V615881620	1	SEALING WASHER S2	
34	V862640001	1	REMANUFACTURED SHORT BLOCK ENGINE 420	
35	V33733800	1	WIRE MINI	L=5000

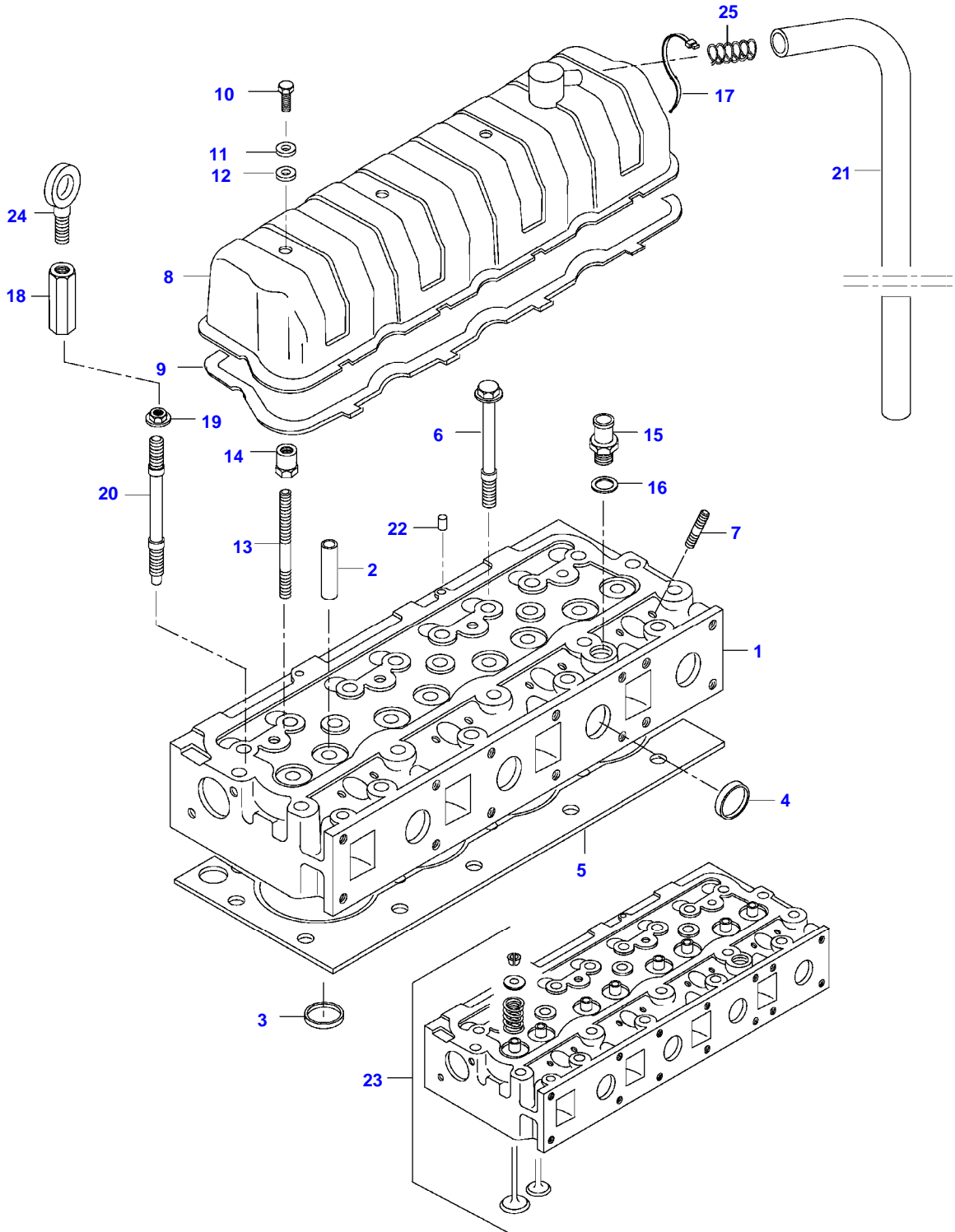
Item	Part Number	Qty	Description Comments	Technical Specification
	V33733900	1	WIRE DENMARK MINI	L=5000
	V33734000	1	WIRE FRANCE MINI	L=5000
36	V615881216	1	SEALING WASHER S2	
37	V640305012	1	PLUG	
38	V615881824	1	SEALING WASHER S2	
39	V33734100	1	SLEEVE BUSHING	
40	VHN6816	1	SCREW	B 4.2 X 30 SFS-ISO_7049
41	VJD9019	2	WASHER	A 4.3 X 0.5 DIN6798
42	V640016040	1	CUP PLUG	
43	V836664377	1	DRAIN VALVE	
	V836740280	1	ENGINE GASKET KIT S1	
	V836740333	1	ENGINE GASKET KIT S1+S2	

A95 TRACTOR (A SERIES)
SPIMG-003-21-06



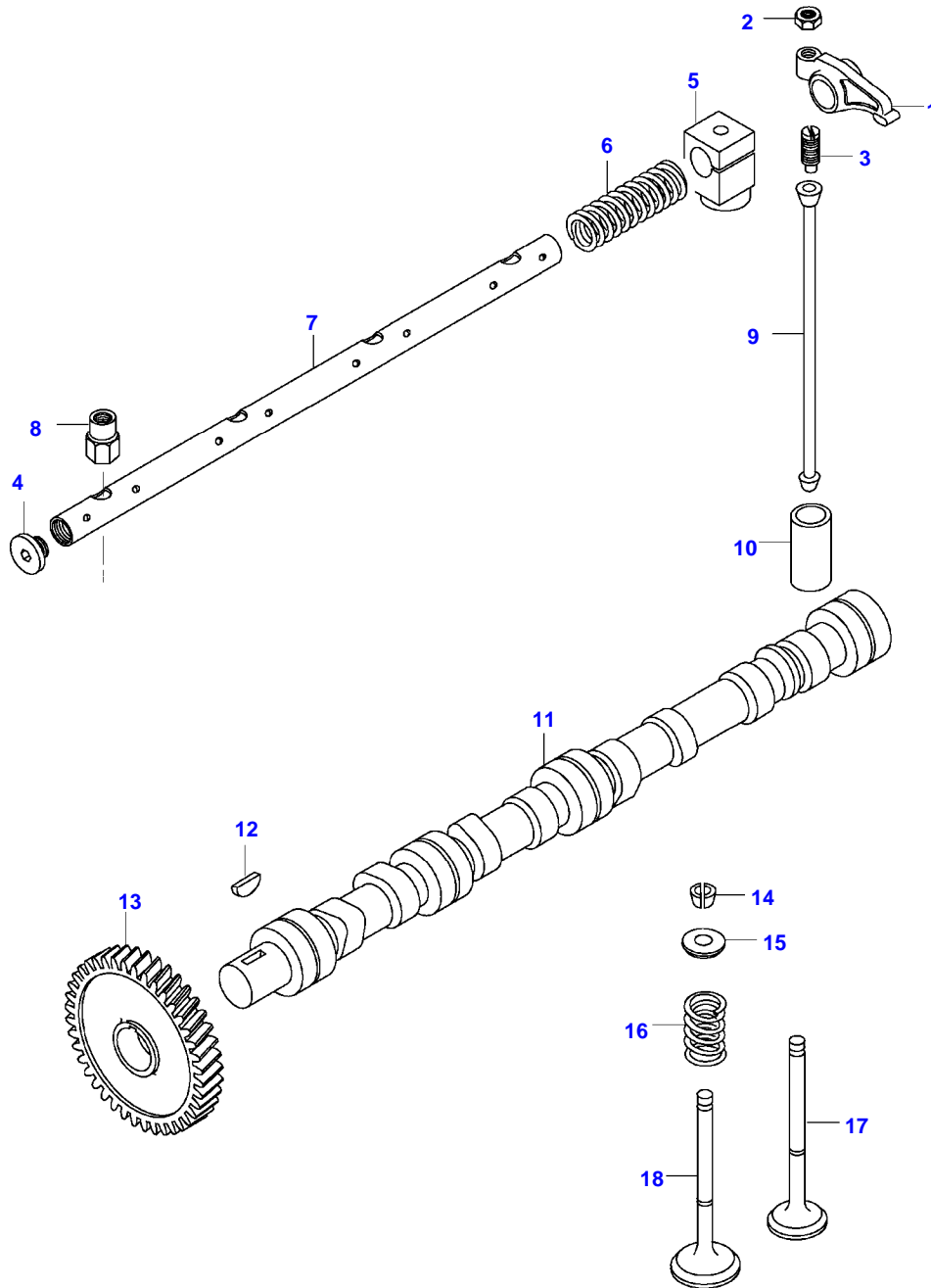
Item	Part Number	Qty	Description Comments	Technical Specification
1	V836759277	1	BACKPLATE -N19163(M)	
	V836667305	1	FLYWHEEL HOUSING N19164-(M)	
2	V836659279	1	BRACKET LEFT	
36	V836659278	2	BRACKET RIGHT	
3	V581804582	4	HEX SOCKET SCREW	
4	V504800800	4	NUT	
11	V836752443	1	FLYWHEEL HOUSING	
12	V598359850	2	PIN	
13	V581705440	2	HEX SOCKET SCREW	
14	V528702220	8	HEX CAP SCREW	
15	V581705030	6	HEX SOCKET SCREW	
16	V528801800	3	HEX CAP SCREW	
17	V500951000	3	SPRING WASHER	
18	V614500002	1	CRANKSHAFT SEAL S2	
19	V836007572	1	RUBBER PLUG D=25	
20	V836538043	1	FLYWHEEL	
21	V836014127	1	ANNULAR GEAR	
27	V528800802	2	HEX CAP SCREW	
28	V504601000	3	NUT	
29	V546801800	3	STUD BOLT	
30	V528801760	2	HEX CAP SCREW	
31	V31085600	1	GASKET LEFT	
	V31085500	1	GASKET RIGHT	
32	V30229000	1	GASKET	L=1200MM
33	V836659527	1	GUIDE SLEEVE	
34	V836859311	1	PLUG	
35	V500951200	8	SPRING WASHER	
	V529702220	6	HEX CAP SCREW	

A95 TRACTOR (A SERIES)
SPIMG-003-21-10



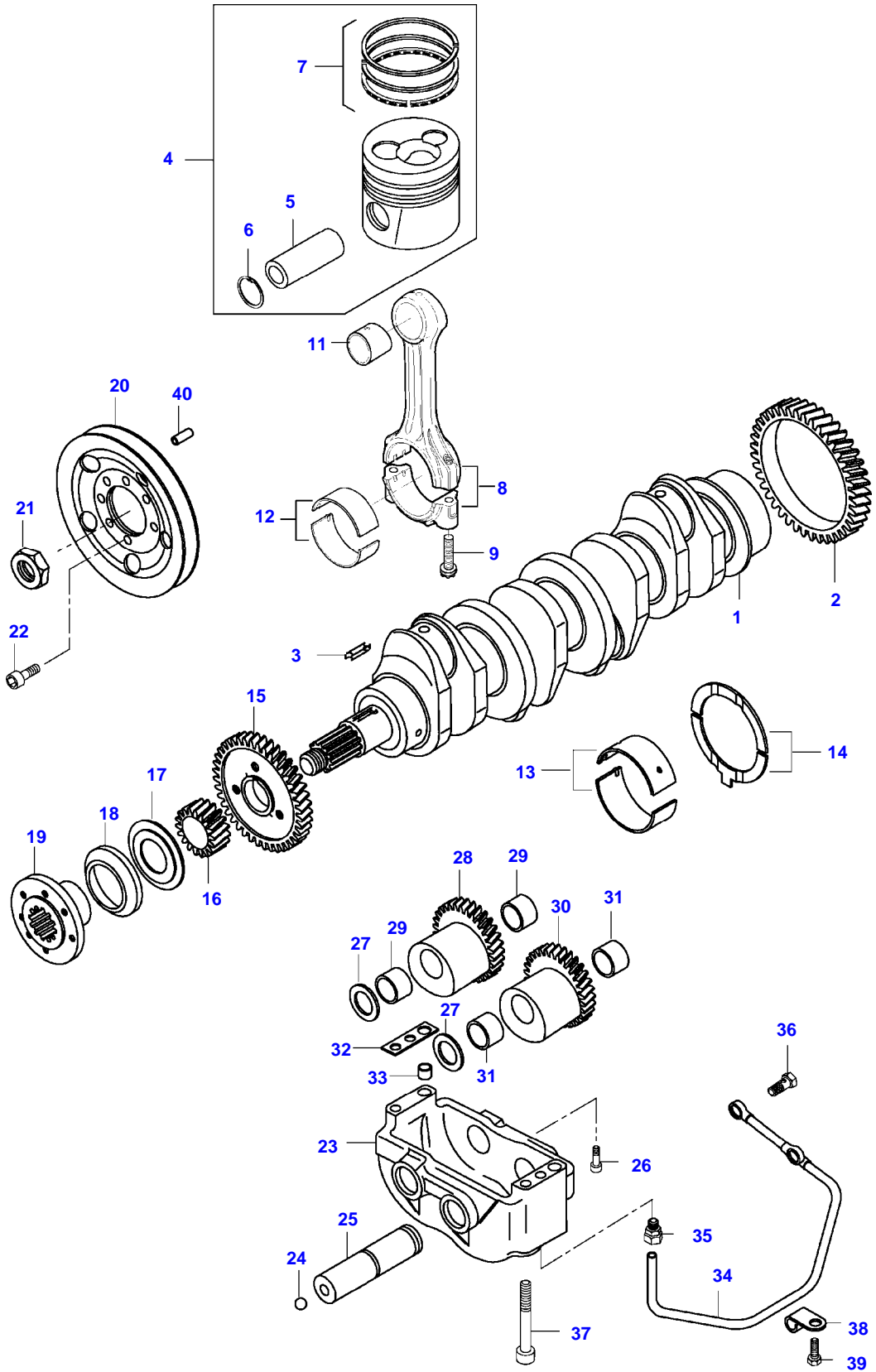
Item	Part Number	Qty	Description Comments
1	V836755383	1	CYLINDER
2	V836647601	8	GUIDE
3	V836647600	4	VALVE SEAT
4	V836647942	7	CUP PLUG
5	V837070291	1	CYLINDER HEAD GASKET S1
6	V836859104	21	HEXAGON FLANGE BOLT
7	V546901435	8	STUD BOLT
8	V836746361	1	VALVE ROCKER COVER
9	V836746362	1	VALVE ROCKER COVER GASKET S1
10	V528801780	4	HEX CAP SCREW
11	V836119855	4	WASHER
12	V836012841	4	RUBBER BUSHING S1
13	V846801900	4	STUD BOLT
14	V836655406	4	SLEEVE NUT
15	V836119837	1	HOSE COUPLER
16	V615881822	1	SEALING WASHER S1
17	V835329746	1	CABLE TIE
18	V836667062	1	LIFTING EYE EXTENSION
19	V836859110	1	NUT
20	V836859109	1	STUD BOLT
21	V836647814	1	RUBBER HOSE
22	V595959140	2	PIN
23	V836740854	1	CYLINDER HEAD
24	V836640252	1	LIFT EYE
25	V836659103	1	SPRING

A95 TRACTOR (A SERIES)
SPIMG-003-21-14



Item	Part Number	Qty	Description Comments
	V836666611	1	ROCKER SHAFT
1	V836666608	8	ROCKER ARM
			.
2	V512861000	8	NUT
			..
3	V836655866	8	ADJUSTING SCREW
			..
4	V836655899	2	PLUG
			.
5	V836666609	4	BRACKET
			.
6	V836655884	3	SPRING
			.
7	V836755871	1	SHAFT
			.
8	V836655406	4	SLEEVE NUT
9	V836655867	8	PUSHROD
10	V836014264	8	TAPPET
11	V836746375	1	CAMSHAFT
12	V603305760	1	WOODRUFF KEY
13	V836646389	1	GEAR,CAMSHAFT
14	V836646382	16	COTTER
15	V836646381	15	WASHER
16	V836646380	8	SPRING
17	V836646357	4	EXHAUST VALVE
18	V836646356	4	INTAKE VALVE

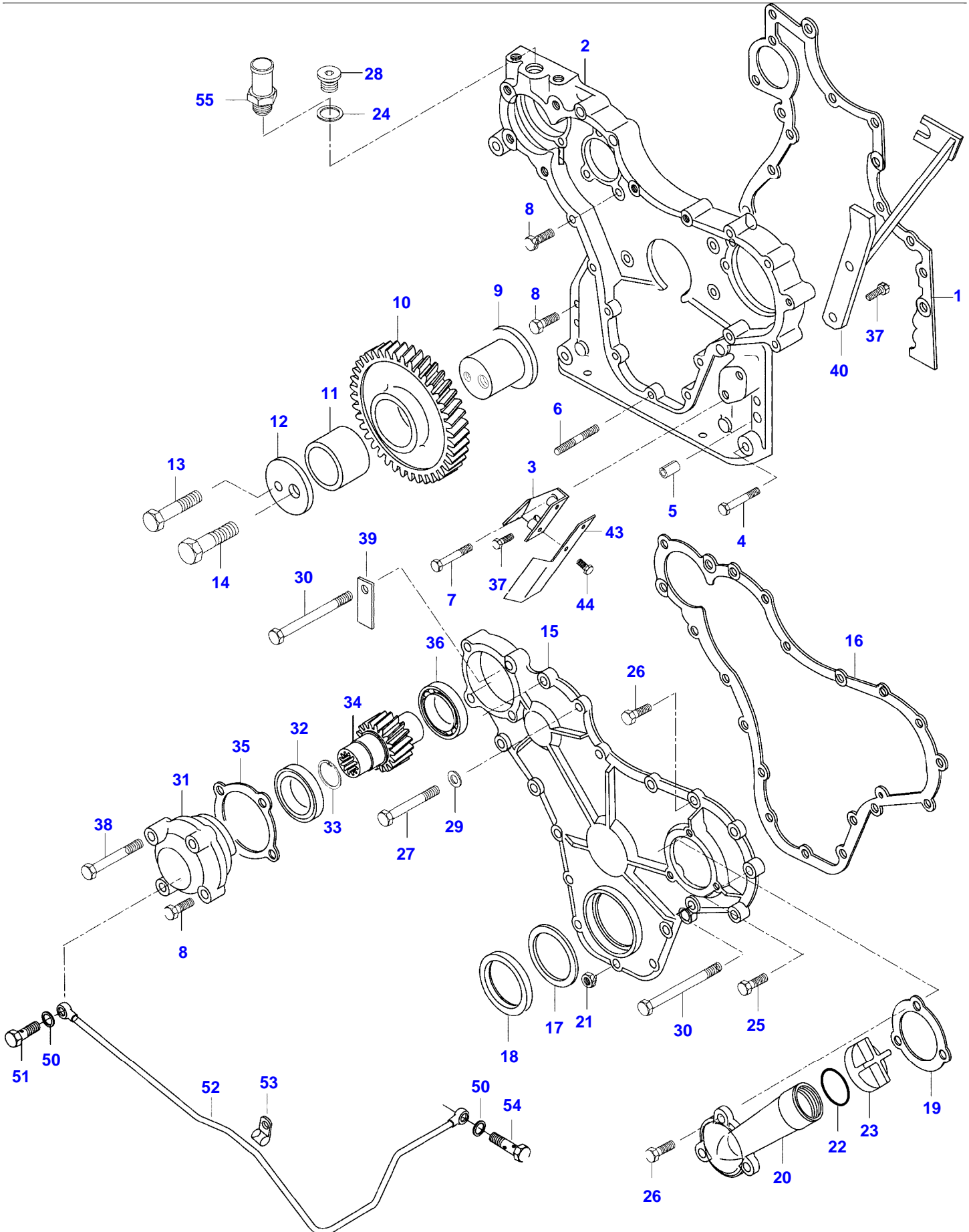
A95 TRACTOR (A SERIES)
SPIMG-003-21-18



Item	Part Number	Qty	Description Comments	Technical Specification
1	V836752303	1	CRANKSHAFT	
2	V836124524	1	GEAR	
3	V603345110	1	KEY	
4	V836659702	4	PISTON	
5	NS	4	NON-SERVICEABLE PART	
6	NS	8	PISTON PIN NON-SERVICEABLE PART	
7	V836640126	4	CIRCLIP PISTON RING KIT	
8	V836740859 NS	1	CONNECTING ROD KIT NON-SERVICEABLE PART	
	NS		CONNECTING ROD 1935-1954 G F NON-SERVICEABLE PART	
	NS		CONNECTING ROD 1955-1974 G V NON-SERVICEABLE PART	
	NS		CONNECTING ROD 1975-1994 G X NON-SERVICEABLE PART	
	NS		CONNECTING ROD 1995-2014 G Y NON-SERVICEABLE PART	
	NS		CONNECTING ROD 2015-2034 G W NON-SERVICEABLE PART	
	NS		CONNECTING ROD 2035-2054 G Z NON-SERVICEABLE PART	
9	V836864141	8	CONNECTING ROD 2055-2074 G G CONNECTING ROD BOLT	
11	V836110646	4	BEARING BUSH	STD
12	V836110552	4	BEARING SHELL	
13	V836655514	5	MAIN BEARING	
14	V836119459	2	THRUST WASHER	
15	V836119550	1	GEAR,CRANKSHAFT	
16	V836122840	1	GEAR,CRANKSHAFT	
17	V836129781	1	RING	
18	V836136271	1	SHIELD	
19	V836846463	1	CRANKSHAFT HUB	
20	V836655449	1	CRANKSHAFT V-BELT PULLEY	
21	V836647310	1	CRANKSHAFT NUT	
22	V581804600	6	HEX SOCKET SCREW	
23	V836766123	1	COUNTERWEIGHT	
24	V616810103	2	BALL	
25	V836146879	2	SHAFT	
26	V581804200	2	HEX SOCKET SCREW	
27	V836146880	4	THRUST WASHER	

Item	Part Number	Qty	Description Comments	Technical Specification
28	V836766121	1	COUNTERWEIGHT	
29	V836146876	2	BEARING BUSH	
30	V836766122	1	COUNTERWEIGHT	
31	V836146876	2	BEARING BUSH	
32	V836119920		SHIM	
33	V598359850	2	PIN	
34	V836747478	1	OIL PIPE	
35	V641016008	1	STRAIGHT FITTING	
36	V640435008	2	BANJO BOLT	
37	V581805170	4	HEX SOCKET SCREW	
38	V602071608	1	RETAINER CLAMP	
39	V528801062	1	HEX CAP SCREW	
40	V595953360	1	PIN	

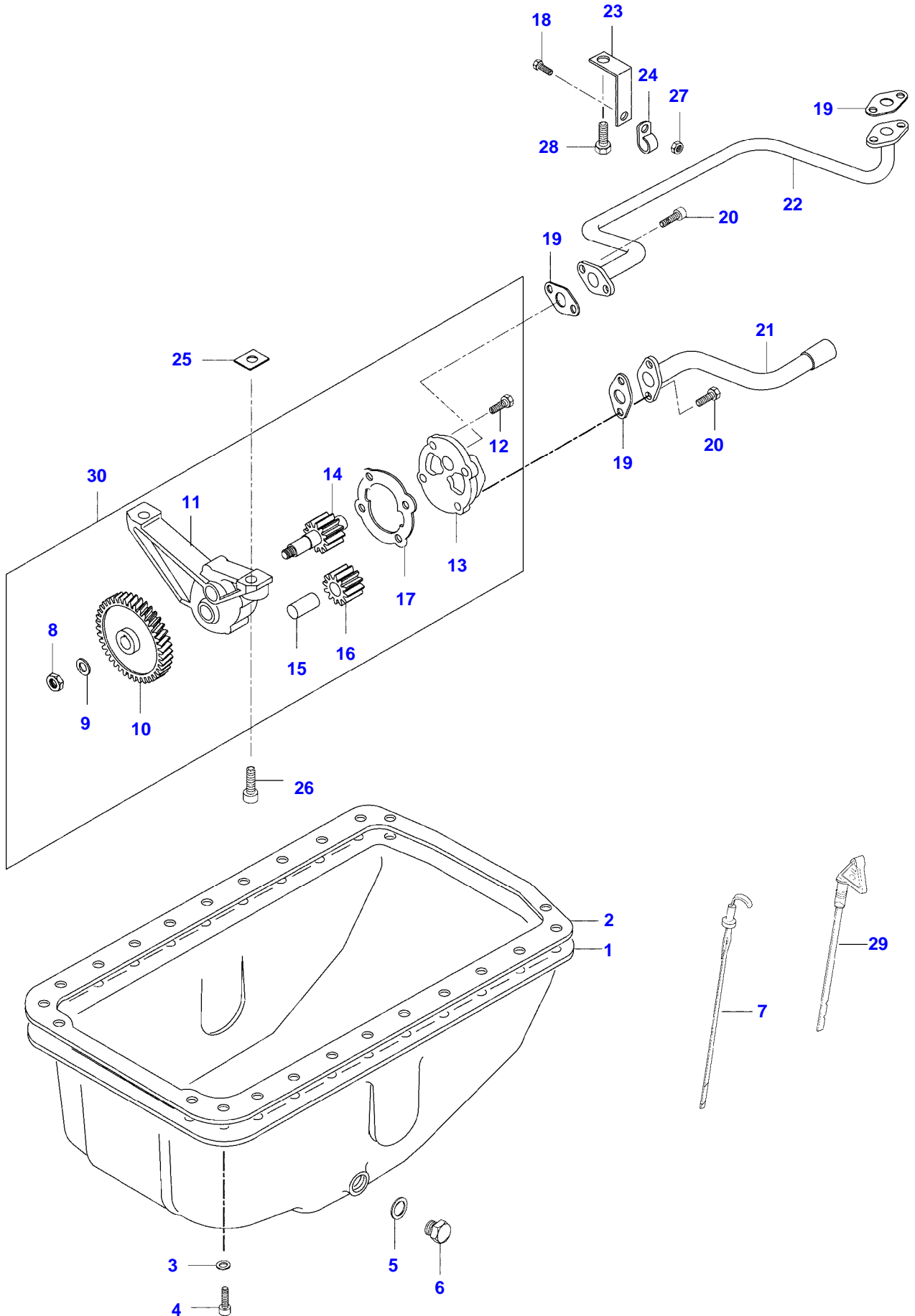
A95 TRACTOR (A SERIES)
SPIMG-003-21-20



Item	Part Number	Qty	Description Comments
1	V836647419	1	GASKET S2
2	V836652221	1	TIMING GEAR CASE -N19163(M)
	V836666401	1	TIMING GEAR CASE N19164-(M)
3	V836655720	1	TIMING MARK INDICATOR
4	V529801440	2	HEX CAP SCREW
5	V598359850	4	PIN
6	V546801380	5	STUD BOLT
7	V529801450	1	HEX CAP SCREW
8	V528801400	10	HEX CAP SCREW
9	V836766127	1	SHAFT
	V836138354	1	IDLER GEAR ASSEMBLY
10	NS	1	NON-SERVICEABLE PART . GEAR
11	V836139039	1	BUSHING .
12	V836129845	1	FLANGE
13	V528801910	1	SCREW
14	V529902720	1	HEX CAP SCREW
15	V836647575	1	GEAR HOUSING FRONT COVER
16	V835336796	1	GASKET S2
17	V836129782	1	COVER
18	V614105880	1	OIL SEAL S2
19	V836129946	1	GASKET S2
20	V835338325	1	ENGINE OIL FILL PIPE
21	V504800800	5	NUT
22	V614603540	1	O-RING S2
23	V836017927	1	CAP
	V836655188	1	CAP INCLUDES CHAIN
24	V615881822	1	SEALING WASHER S2
25	V528801420	2	HEX CAP SCREW
26	V528801382	5	HEX CAP SCREW
27	V529801470	3	HEX CAP SCREW
28	V640325018	1	PLUG
55	V836119851	1	FITTING
29	V836120989	1	WASHER
30	V529801500	2	HEX CAP SCREW
	V836666028	1	DRIVE ASSEMBLY
31	V836664542	1	BEARING HOUSING .
32	V610060096	1	BALL BEARING .
33	V617330031	1	LOCK RING .
34	V836120880	1	SHAFT .
35	V835336793	1	GASKET S2
36	V610060096	1	BALL BEARING
37	V528801362	3	HEX CAP SCREW
38	V529801460	4	HEX CAP SCREW
39	V836083428	1	CABLE TIE
40	V836664528	1	THROTTLE SENSOR BRACKET
41	V835331289	2	BANJO BOLT
42	V615870610	4	SEALING WASHER

Item	Part Number	Qty	Description Comments
43	V836659093	1	SHIELD
44	V528801082	2	HEX CAP SCREW
50	V615571014	4	SEALING WASHER
51	V836664212	1	BANJO BOLT
52	V836664543	1	OIL PIPE
53	V836009683	1	RETAINER CLAMP
54	V640435006	1	BANJO BOLT [B] [B] DISTRIBUTOR PUMP

A95 TRACTOR (A SERIES)
SPIMG-003-21-24



Item	Part Number	Qty	Description Comments
1	V836128794	1	OIL SUMP
2	V836107726	1	OIL SUMP GASKET S2
3	V500950800	22	SPRING WASHER
4	V581804580	22	HEX SOCKET SCREW
5	V615881827	1	SEALING WASHER S2
6	V836655493	1	PLUG
7	V836014330	1	DIPSTICK -N19163(M)
30	V836652603	1	LUBRICATING OIL PUMP ASSEMBLY
8	V504861000	1	NUT
9	V836122910	1	WASHER
10	V836338667	1	GEAR
11	V836120195	1	HOUSING
12	V528801380	4	HEX CAP SCREW
13	V836119794	1	COVER
14	V836652600	1	OIL PUMP SHAFT
15	V836120191	1	OIL PUMP SHAFT
16	V836120193	1	GEAR
17	V836119796	1	GASKET S2
18	V528801362	1	HEX CAP SCREW
19	V836008449	3	GASKET S2
20	V581804600	6	HEX SOCKET SCREW
21	V836759171	1	OIL PUMP SUCTION PIPE
22	V836746457	1	OIL PIPE
23	V836746572	1	SUPPORT
24	V602074618	1	RETAINER CLAMP
25	V836007871		SHIM
26	V581805050	2	HEX SOCKET SCREW
27	V504800800	1	NUT
28	V528801780	1	HEX CAP SCREW
29	V836666908	1	DIPSTICK N19164-(M)



Suggest:

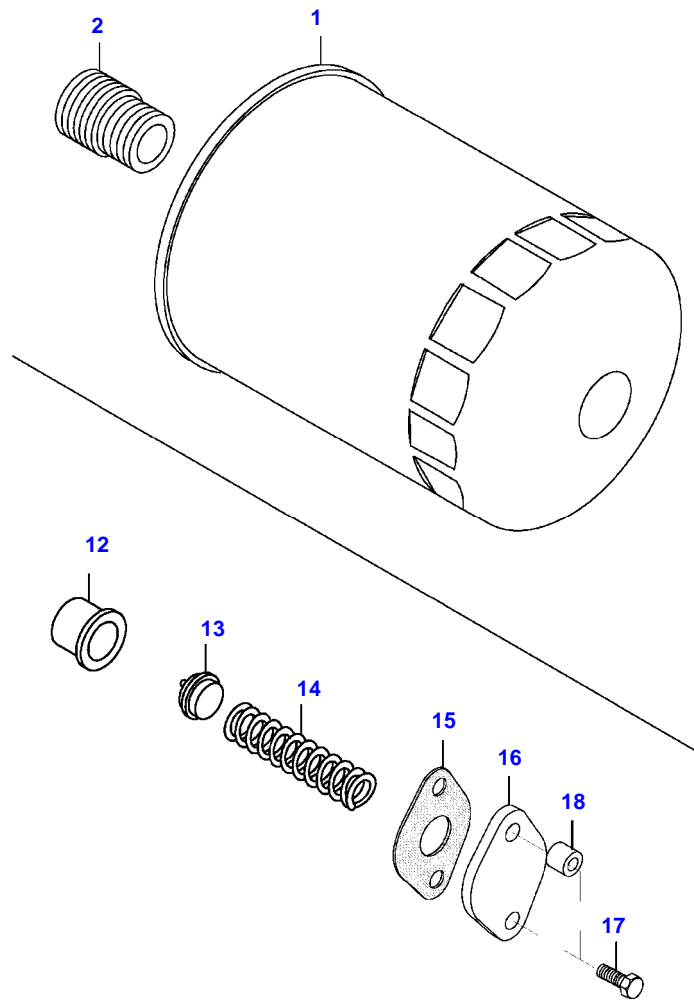
For more complete manuals. Please go to the home page.

<https://www.ebooklibonline.com>

If the above button click is invalid. Please download this document first, and then click the above link to download the complete manual.

Thank you so much for reading

A95 TRACTOR (A SERIES)
SPIMG-003-21-26



Item	Part Number	Qty	Description Comments
1	V836462576	1	ENGINE OIL FILTER
2	V836647404	1	UNION
	V836662129		OIL PRESSURE CONTROL VALVE ASSEMBLY
12	V836659521	1	VALVE SEAT
			.
13	V836659522	1	VALVE CONE
			.
14	V836659523	1	SPRING
			.
15	V836322190	1	GASKET
			.
16	V836659524	1	COVER
			.
17	V528801380	2	HEX CAP SCREW
			.

<https://www.ebooklibonline.com>

Hello dear friend!

Thank you very much for reading.

Enter the link into your browser.

The full manual is available for immediate download.

<https://www.ebooklibonline.com>