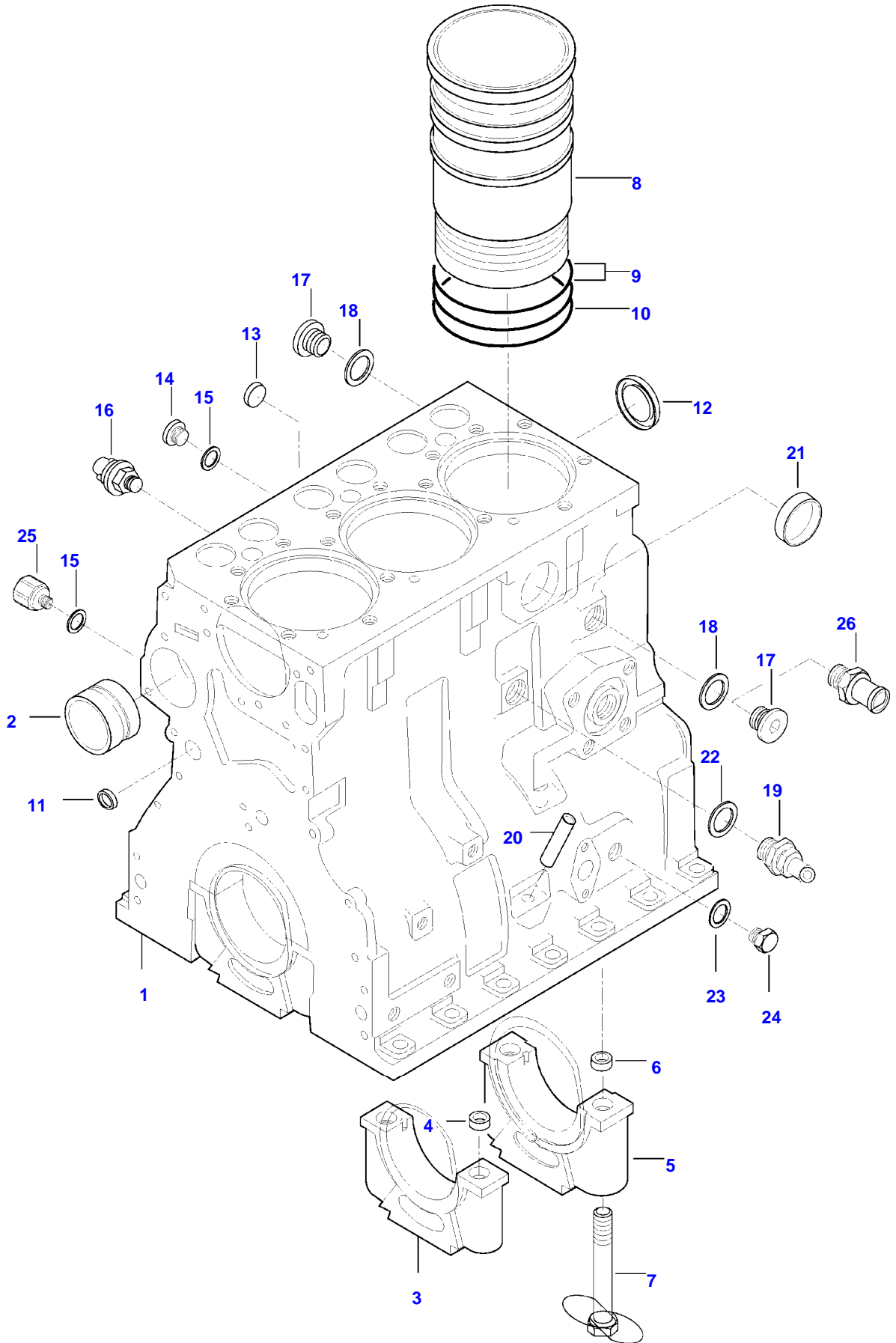


<b>Page Number</b>	<b>Page Title</b>	<b>Page Reference</b>
01-000-TOC	ENGINE, FUEL AND EXHAUST SYSTEM	01-000-TOC
02-000-TOC	AXLES	02-000-TOC
03-000-TOC	STEERING SYSTEM	03-000-TOC
04-000-TOC	DRIVE TRAIN SYSTEM	04-000-TOC
05-000-TOC	BRAKE SYSTEM	05-000-TOC
06-000-TOC	HYDRAULIC SYSTEM	06-000-TOC
07-000-TOC	ELECTRICAL SYSTEM	07-000-TOC
08-000-TOC	CAB	08-000-TOC
09-000-TOC	CHASSIS	09-000-TOC
10-000-TOC	DECALS	10-000-TOC
11-000-TOC	WHEELS	11-000-TOC
12-000-TOC	IMPLEMENT DRIVE SYSTEM	12-000-TOC
13-000-TOC	IMPLEMENT LIFT SYSTEM REAR	13-000-TOC
14-000-TOC	ATTACHMENTS	14-000-TOC
15-000-TOC	GENERAL INFORMATION	15-000-TOC

Page Number	Page Title	Page Reference
01-0001	CYLINDERBLOCK	21-02A
01-0002	FLYWHEEL AND HOUSING	21-06
01-0003	CYLINDER HEAD	21-08A
01-0004	VALVE MECHANISM	21-12A
01-0005	CRANK MECHANISM	21-16A
01-0006	GEAR HOUSING	21-20
01-0007	OIL SUMP	21-22
01-0008	OIL FILTER	21-26A
01-0009	AIR CLEANER	21-28
01-0010	TURBO-CHARGER	21-30A
01-0011	INTAKE- AND EXHAUS PIPE	21-34
01-0012	PILLAR EXHAUST PIPE	21-38
01-0013	FUEL FILTER	22-02
01-0014	FUEL PIPES	22-04
01-0015	INJECTION PUMP	22-06A
01-0016	INJECTOR, DISTRIBUTOR PUMP	22-10
01-0017	SPEED LEVERS	22-12
01-0018	RADIATOR	23-02
01-0019	COOLANT PUMP	23-06
01-0020	STARTERMOTOR	24-02
01-0021	ALTERNATOR	24-04
01-0022	WIRING SET, ENGINE	24-06
01-0023	ENGINE REPAIR KIT AND BEARINGS	28-10
01-0024	LOW EXHAUST PIPE (OPTIONAL EQUIPMENT)	29-08

A75L TRACTOR (AN SERIES)  
SPIMG-014-21-02A



**<https://www.ebooklibonline.com>**

Hello dear friend!

Thank you very much for reading.

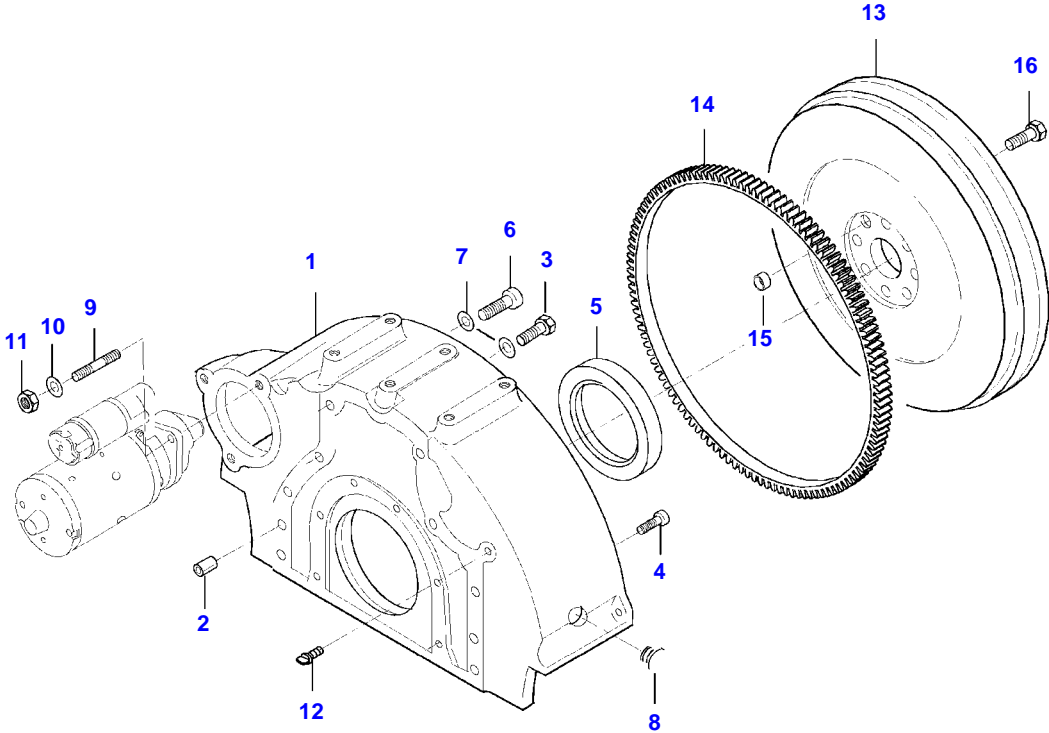
Enter the link into your browser.

The full manual is available for immediate download.

**<https://www.ebooklibonline.com>**

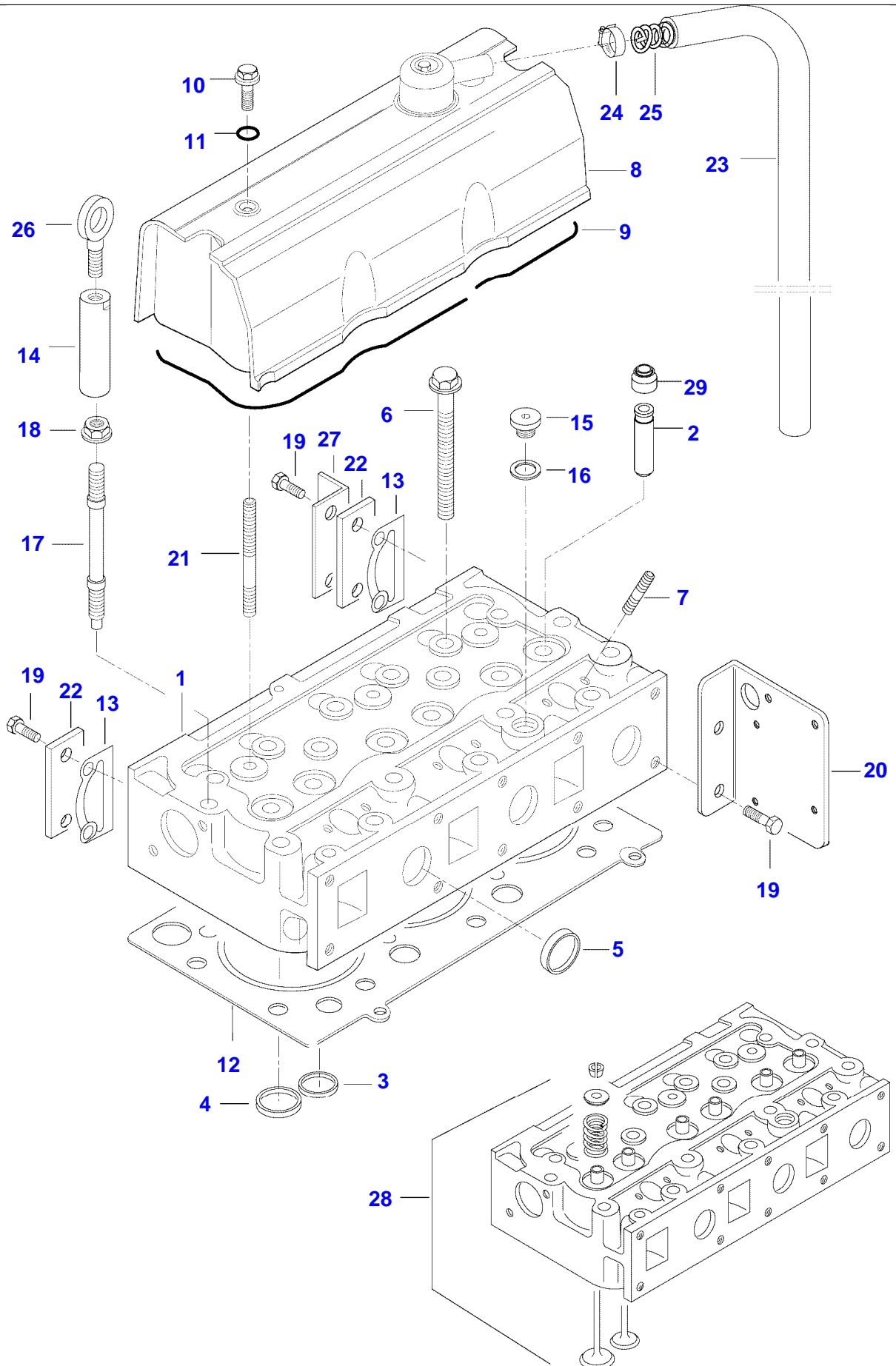
Item	Part Number	Qty	Description Comments
1	V836667523	1	CYLINDER BLOCK
2	V836866069	1	CAMSHAFT BEARING BUSHING
3	NS	3	NON-SERVICEABLE PART
4	V836214478	6	BEARING COVER GUIDE SLEEVE
5	NS	1	NON-SERVICEABLE PART
6	V836214478	2	BEARING COVER GUIDE SLEEVE
7	V835329030	8	HEX CAP SCREW
8	V836666990	3	LINER
9	V836647502	6	CYLINDER LINER O-RING S2
10	V836647503	3	CYLINDER LINER O-RING S2
11	V640016016	4	CUP PLUG S2
12	V836529872	1	PLUG
13	V640016018	1	CUP PLUG
14	V640325110	1	SCREW PLUG
15	V615571014	2	SEALING WASHER S2
16	V887283760	1	PRESSURE SWITCH
17	V640325018	2	PLUG
18	V615881822	2	SEALING WASHER
19	V836664377	1	DRAIN VALVE
20	V836666910	1	OIL DIPSTICK GUIDE PIPE
21	V640016040	1	CUP PLUG
22	V615881824	1	SEALING WASHER S2
23	V615881216	2	SEALING WASHER S2
24	V640045112	2	PLUG
25	V836655736	1	UNION
	V836640289	1	ENGINE GASKET KIT S1
	V836640356	1	ENGINE GASKET KIT S1+S2

A75L TRACTOR (AN SERIES)  
SPIMG-014-21-06



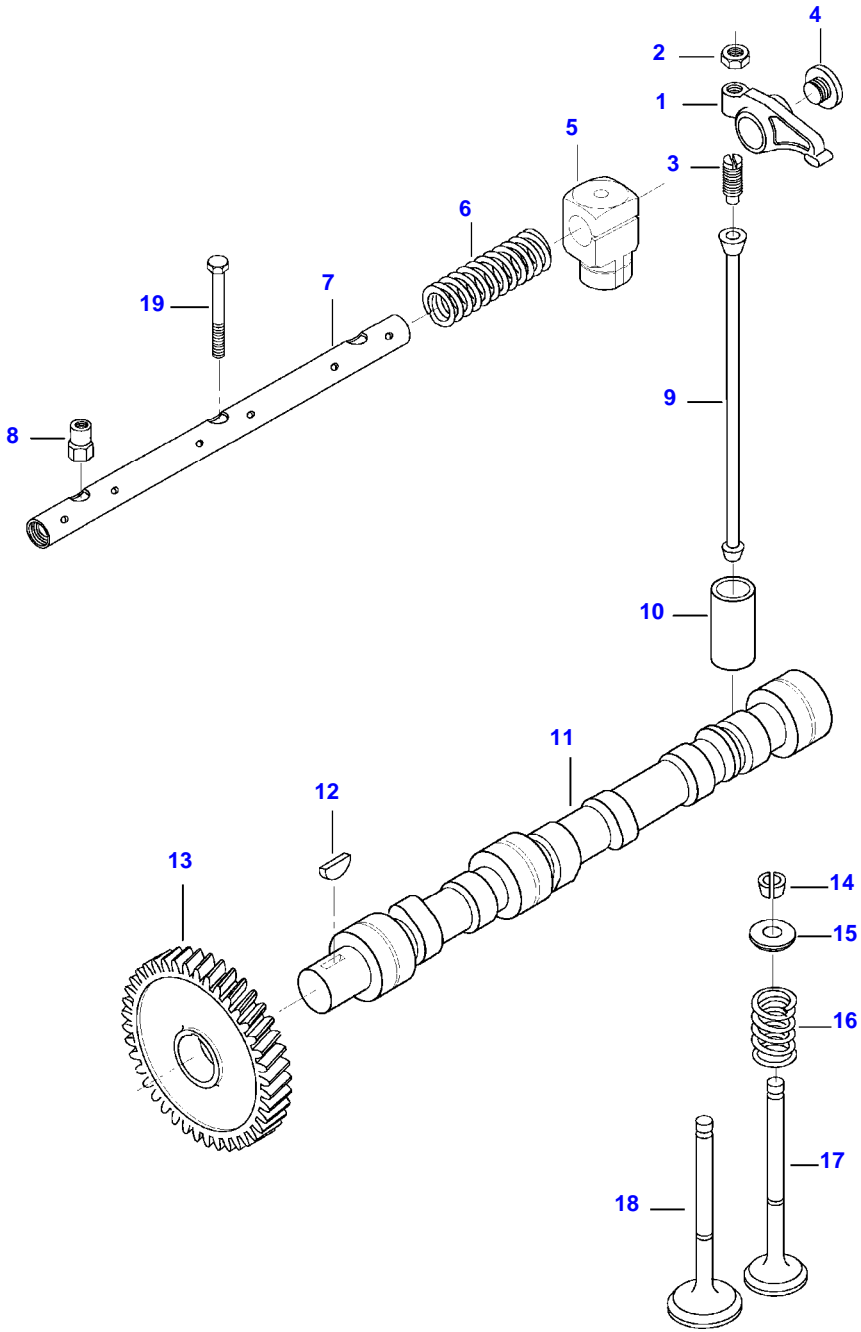
Item	Part Number	Qty	Description Comments
1	V836752443	1	FLYWHEEL HOUSING
2	V598359850	2	PIN
3	V529702220	6	HEX CAP SCREW M12 X 35
4	V581705030	6	HEX SOCKET SCREW M10 X 30
5	V614500002	1	CRANKSHAFT SEAL S2
6	V581705440	2	HEX SOCKET SCREW M12 X 35
7	V500951200	8	SPRING WASHER
8	V836007572	1	RUBBER PLUG
9	V546801800	3	STUD BOLT M10 X 25
10	V500951000	3	SPRING WASHER
11	V504601000	3	NUT M10
12	V836859311	1	PLUG
13	V836538043	1	FLYWHEEL
14	V836117970	1	STARTER RING
15	V836659527	1	GUIDE SLEEVE
16	V528702220	8	HEX CAP SCREW 150 NM

A75L TRACTOR (AN SERIES)  
SPIMG-014-21-08A



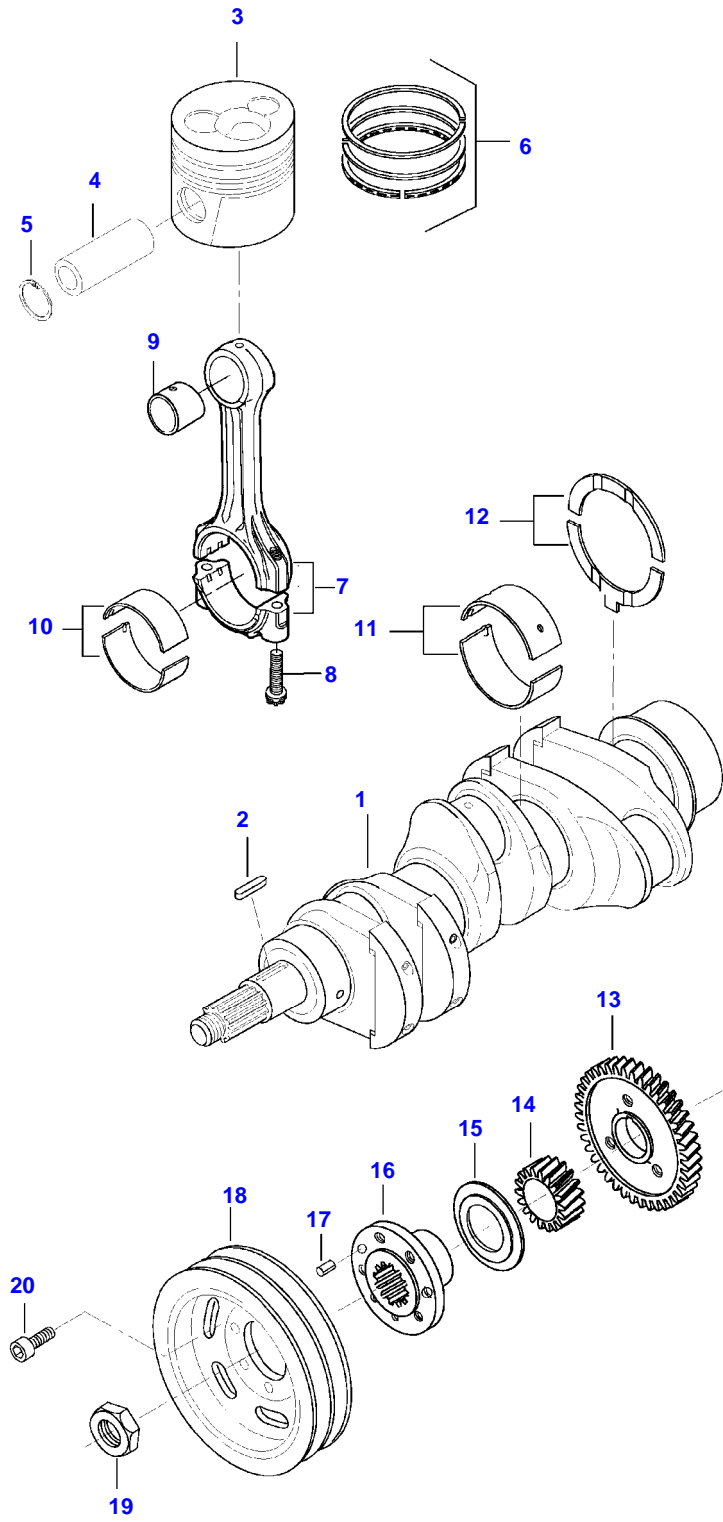
Item	Part Number	Qty	Description Comments
1	NS	1	NON-SERVICEABLE PART CYLINDER HEAD 33 DT
	NS	1	NON-SERVICEABLE PART CYLINDER HEAD 33 DTA
2	V836647601	6	GUIDE . -WEEK 23/2007
	V836673175	6	VALVE GUIDE . WEEK 24/2007-
29	V837073166	6	VALVE STEM GASKET . D=9 WEEK 24/2007-
3	V836647600	3	VALVE SEAT . EXHAUST
5	V836647942	5	CUP PLUG . HEXAGON FLANGE BOLT
6	V836859104	16	STUD BOLT
7	V546901435	6	M8 X 40
8	V836667206	1	VALVE COVER
9	V836667243	1	VALVE ROCKER COVER GASKET S1
10	V540801780	2	HEXAGON FLANGE BOLT M10 X 20
11	V614901030	2	O-RING
12	V836666302	1	CYLINDER HEAD GASKET S1
13	V836867391	2	GASKET S1
14	V836667062	1	LIFTING EYE EXTENSION
15	V640325018	1	PLUG
16	V615881822	1	SEALING WASHER S1
17	V836859109	1	STUD BOLT
18	V836859110	1	NUT
19	V528801800	6	HEX CAP SCREW M10 X 25
20	V836667397	1	BRACKET
21	V546801900	2	STUD BOLT M10 X 75
22	V836855350	2	BLOCK OFF PLATE
23	V836647814	1	RUBBER HOSE
24	V602088532	1	HOSE CLIP
25	V836659103	1	SPRING
26	V836640252	1	LIFT EYE
27	V836659278	1	BRACKET
28	V836873284	1	CYLINDER HEAD

A75L TRACTOR (AN SERIES)  
SPIMG-014-21-12A



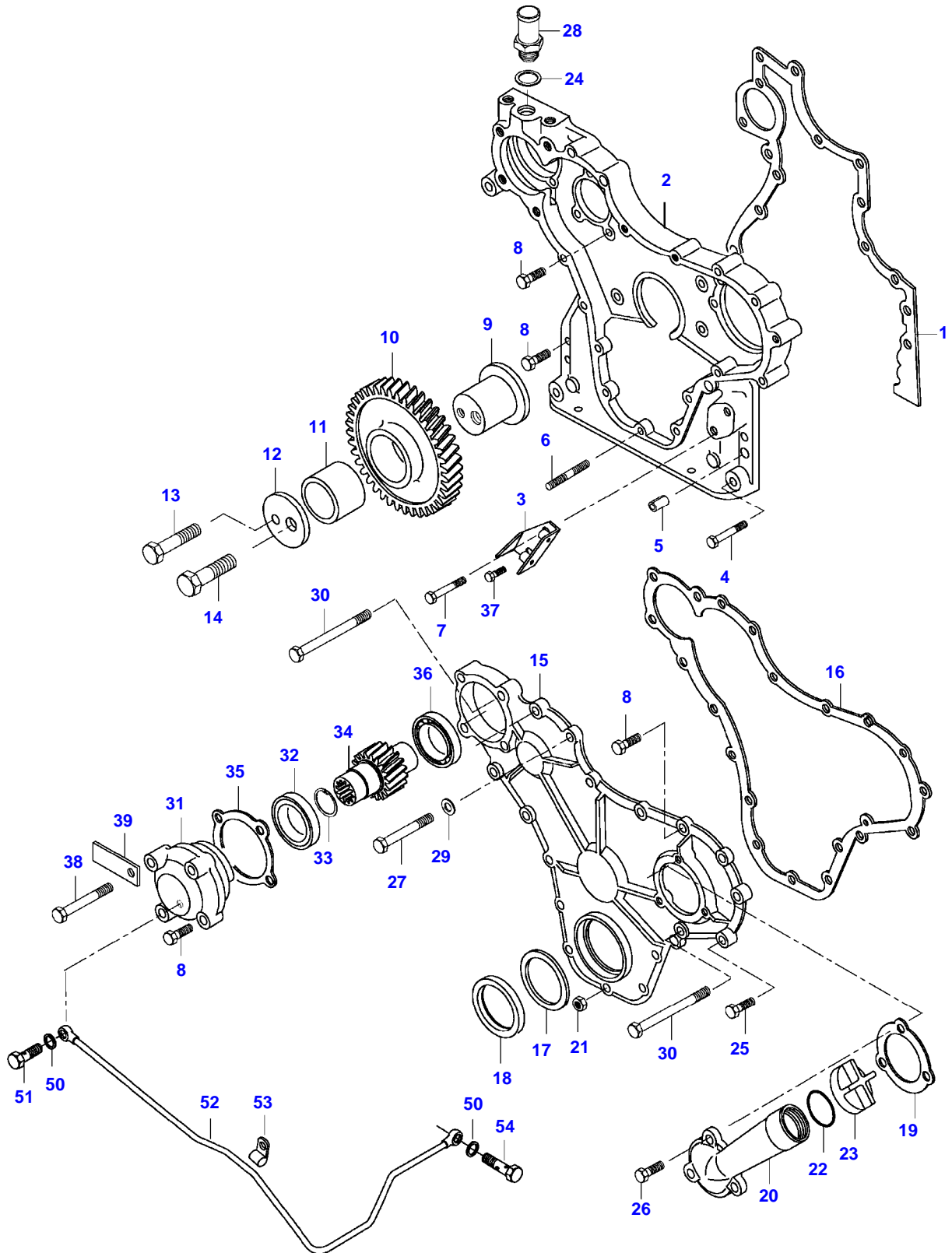
Item	Part Number	Qty	Description Comments
1	V836667043	1	ROCKER SHAFT ASM
1	V836666608	6	ROCKER ARM
			. -S12222 (M)
	V836667042	6	ROCKER ARM
			. S12223- (M)
2	V512861000	6	NUT
			..
3	V836655866	6	ADJUSTING SCREW
			.. -S12222 (M)
	V837069023	6	VALVE ROCKER ADJUSTMENT SCREW
			.. S12223- (M)
4	V836655899	2	PLUG
			. -S12222 (M)
	V837069020	2	PLUG
			. S12223- (M)
5	V836666609	3	BRACKET
			. -S12222 (M)
6	V836655884	2	SPRING
			. -S12222 (M)
7	V836655870	1	SHAFT
			. -S12222 (M)
8	V836655406	2	SLEEVE NUT
9	V836655867	6	PUSHROD
10	V836014264	6	TAPPET
11	V836646374	1	CAMSHAFT
12	V603305760	1	WOODRUFF KEY
13	V836646389	1	GEAR,CAMSHAFT
14	V836646382	12	COTTER
15	V836646381	6	WASHER
16	V836646380	6	SPRING
17	V836646357	3	EXHAUST VALVE
18	V836646356	3	INTAKE VALVE
19	V529801910	1	HEX CAP SCREW

A75L TRACTOR (AN SERIES)  
SPIMG-014-21-16A



Item	Part Number	Qty	Description Comments	Technical Specification
1	V836647314	1	CRANKSHAFT	
2	V603345110	1	KEY	
3	V836659702	3	PISTON 33 DT	
4	NS	3	NON-SERVICEABLE PART . PISTON PIN	
5	NS	6	NON-SERVICEABLE PART . CIRCLIP	
6	V836640126	3	PISTON RING KIT . 33 DT	
7	V836640968 NS	1	CONNECTING ROD KIT NON-SERVICEABLE PART . CONNECTING ROD 1935-1954 G F NON-SERVICEABLE PART . CONNECTING ROD 1955-1974 G V NON-SERVICEABLE PART . CONNECTING ROD 1975-1994 G X NON-SERVICEABLE PART . CONNECTING ROD 1995-2014 G Y NON-SERVICEABLE PART . CONNECTING ROD 2015-2034 G W NON-SERVICEABLE PART . CONNECTING ROD 2035-2054 G Z NON-SERVICEABLE PART . CONNECTING ROD 2055-2074 G G	
8	V836864141	6	CONNECTING ROD BOLT	
9	V836110646	3	BEARING BUSH	STD
10	V836110552	3	BEARING SHELL SEE PAGE 01-0023	
11	V836655514	4	MAIN BEARING SEE PAGE 01-0023	
12	V836119459	2	THRUST WASHER SEE PAGE 01-0023	
13	V836120019	1	GEAR,CRANKSHAFT Z=55	
14	V836122840	1	GEAR,CRANKSHAFT	
15	V836129781	1	RING	
16	V836846463	1	CRANKSHAFT HUB	
17	V595953360	1	PIN	
18	V836667450	1	CRANKSHAFT V-BELT PULLEY	
19	V836647310	1	CRANKSHAFT NUT	
20	V581804600	6	HEX SOCKET SCREW	

A75L TRACTOR (AN SERIES)  
SPIMG-014-21-20



Item	Part Number	Qty	Description Comments	Technical Specification
1	V836647419	1	GASKET S2 -S9538 (M)	
	VUK0182	1	GASKET SEALPASTE S9539- (M)	250ML
2	V836666401	1	TIMING GEAR CASE -S9538 (M)	
	V836667948	1	TIMING GEAR CASE S9539- (M)	
3	V836655720	1	TIMING MARK INDICATOR	
4	V529801440	2	HEX CAP SCREW	
5	V598359850	4	PIN	
6	V546801380	5	STUD BOLT	
7	V529801450	1	HEX CAP SCREW	
8	V528801400	12	HEX CAP SCREW	
9	V836766127	1	SHAFT	
	V836138354	1	IDLER GEAR ASSEMBLY	
10	NS	1	NON-SERVICEABLE PART	
			GEAR	
11	V836139039	1	BUSHING	
			FLANGE	
12	V836129845	1	FLANGE	
13	V529801910	1	HEX CAP SCREW	
14	V529902720	1	HEX CAP SCREW	
15	V836647575	1	GEAR HOUSING FRONT COVER	
16	V835336796	1	GASKET S2	
17	V836129782	1	COVER	
18	V614105880	1	OIL SEAL S2	
19	V836129946	1	GASKET S2	
20	V835338325	1	ENGINE OIL FILL PIPE	
21	V504800800	5	NUT	
22	V614603540	1	O-RING S2	
23	V836017927	1	CAP	
24	V615881822	1	SEALING WASHER S2	
25	V528801420	3	HEX CAP SCREW	
26	V528801380	3	HEX CAP SCREW	
27	V529801470	3	HEX CAP SCREW	
28	V836119851	1	FITTING	
29	V836120989	1	WASHER	
30	V529801500	2	HEX CAP SCREW	
	V836666028	1	DRIVE ASSEMBLY	
31	V836664542	1	BEARING HOUSING	
			BALL BEARING	
32	V610060096	1	BALL BEARING	
			LOCK RING	
33	V617330031	1	LOCK RING	
			SHAFT	
34	V836120880	1	SHAFT	
			GASKET S2	
35	V835336793	1	GASKET S2	
36	V610060096	1	BALL BEARING	
37	V528801362	1	HEX CAP SCREW	
38	V529801460	3	HEX CAP SCREW	
39	V836083428	1	CABLE TIE	
50	V615571014	4	SEALING WASHER	
51	V836664212	1	BANJO BOLT	
52	V836664543	1	OIL PIPE	

---

Valtra

A75L TRACTOR (AN SERIES)

VFANA75L

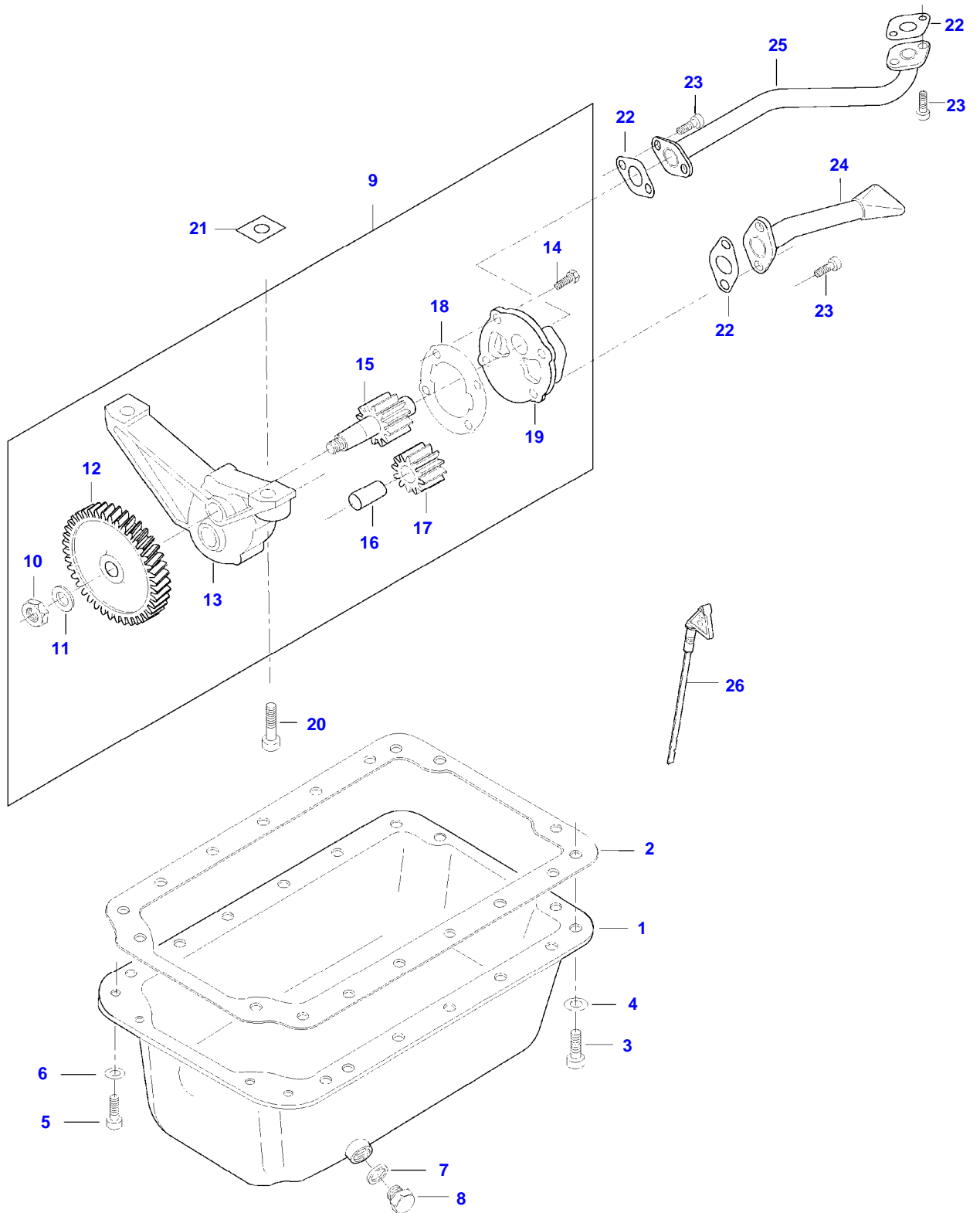
GEAR HOUSING

Page01-0006

---

Item	Part Number	Qty	Description Comments	Technical Specification
53	V836009683	1	RETAINER CLAMP	
54	V640435006	1	BANJO BOLT	

A75L TRACTOR (AN SERIES)  
SPIMG-014-21-22



Item	Part Number	Qty	Description Comments
1	V836664336	1	OIL SUMP
2	V836664515	1	GASKET S2
3	V581804980	14	HEX SOCKET SCREW M10X16
4	V500951032	14	SPRING WASHER
5	V581804580	4	HEX SOCKET SCREW M8X16
6	V500950800	4	SPRING WASHER
7	V615881827	1	SEALING WASHER S2
8	V836655493	1	PLUG
9	V836652604	1	LUBRICATING OIL PUMP ASSEMBLY
10	V504861000	1	NUT . M10
11	V836122910	1	WASHER . .
12	V836652596	1	GEAR .
13	V836120195	1	HOUSING .
14	V528801380	4	HEX CAP SCREW . M8 X 20
15	V836652600	1	OIL PUMP SHAFT .
16	V836120191	1	OIL PUMP SHAFT .
17	V836120193	1	GEAR .
18	V836119796	1	GASKET . S2
19	V836119794	1	COVER .
20	V581805050	2	HEX SOCKET SCREW M10 X 40
21	V836007871	X	SHIM
22	V836008449	3	GASKET S2
23	V581804600	6	HEX SOCKET SCREW M8 X 20
24	V836664495	1	OIL PUMP SUCTION PIPE
25	V836659624	1	OIL PIPE
26	V836666908	1	DIPSTICK



**Suggest:**

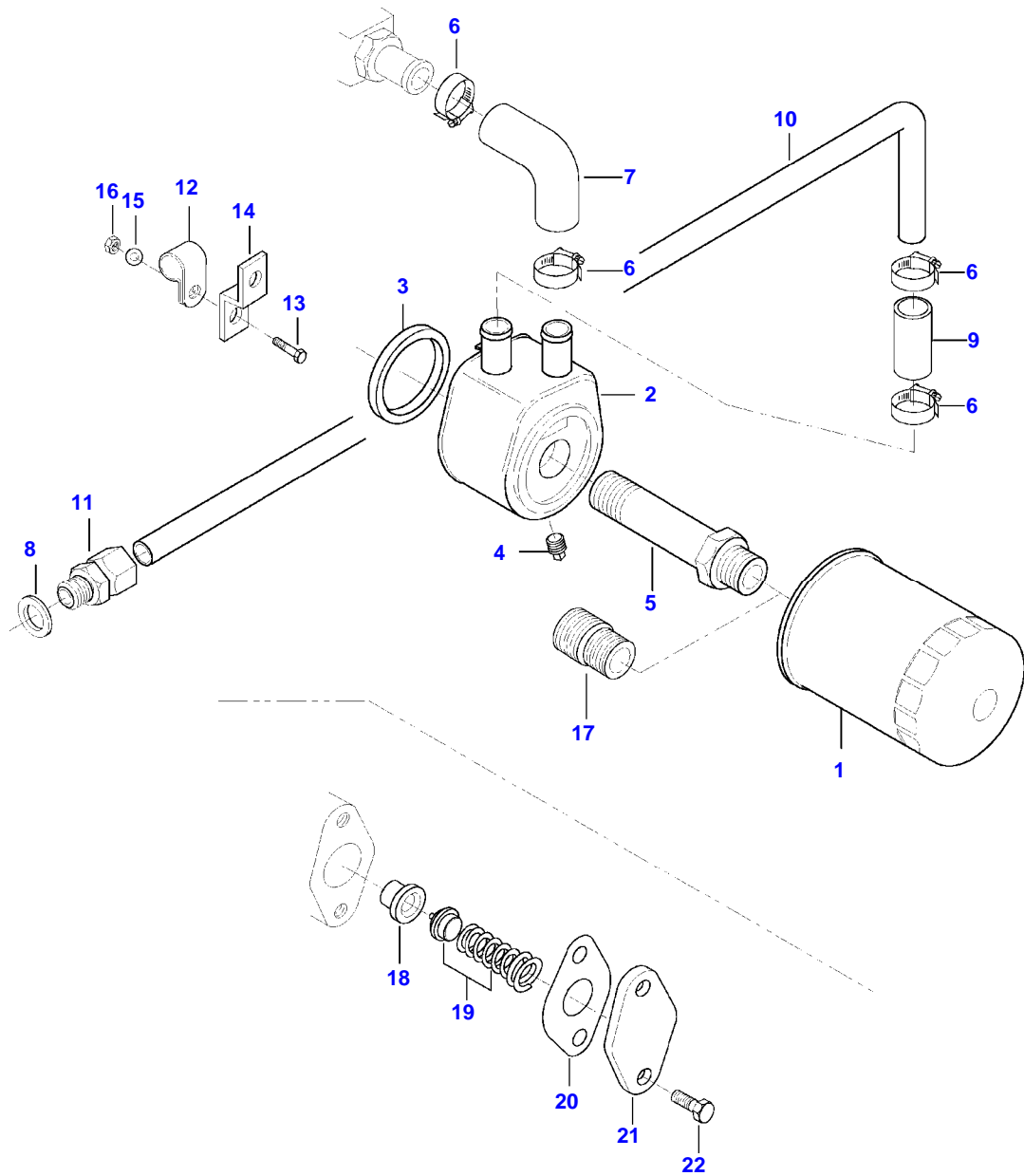
**For more complete manuals. Please go to the home page.**

**<https://www.ebooklibonline.com>**

**If the above button click is invalid. Please download this document first, and then click the above link to download the complete manual.**

**Thank you so much for reading**

A75L TRACTOR (AN SERIES)  
SPIMG-014-21-26A



Item	Part Number	Qty	Description Comments
1	V836462576	1	ENGINE OIL FILTER
6	V602079516	4	HOSE CLIP
7	V836859899	1	RUBBER ELBOW
8	V615881822	1	SEALING WASHER S2
9	V836129978	1	RUBBER HOSE
10	V836652273	1	PIPE
11	V641086015	1	STRAIGHT FITTING
12	V602074615	1	RETAINER CLAMP
13	V528801102	1	HEX CAP SCREW M6 X 25
14	V836747849	1	SUPPORT
15	V500050642	2	WASHER
16	V504600602	1	NUT M6
17	V836647404	1	UNION 33 DT
	V836662129	1	OIL PRESSURE CONTROL VALVE
18	V836659521	1	VALVE SEAT
19	V836667649	1	SPRING ASSEMBLY
20	V836322190	1	GASKET S2
21	V836659524	1	COVER
22	V528801380	2	HEX CAP SCREW M8 X 20

**<https://www.ebooklibonline.com>**

Hello dear friend!

Thank you very much for reading.

Enter the link into your browser.

The full manual is available for immediate download.

**<https://www.ebooklibonline.com>**