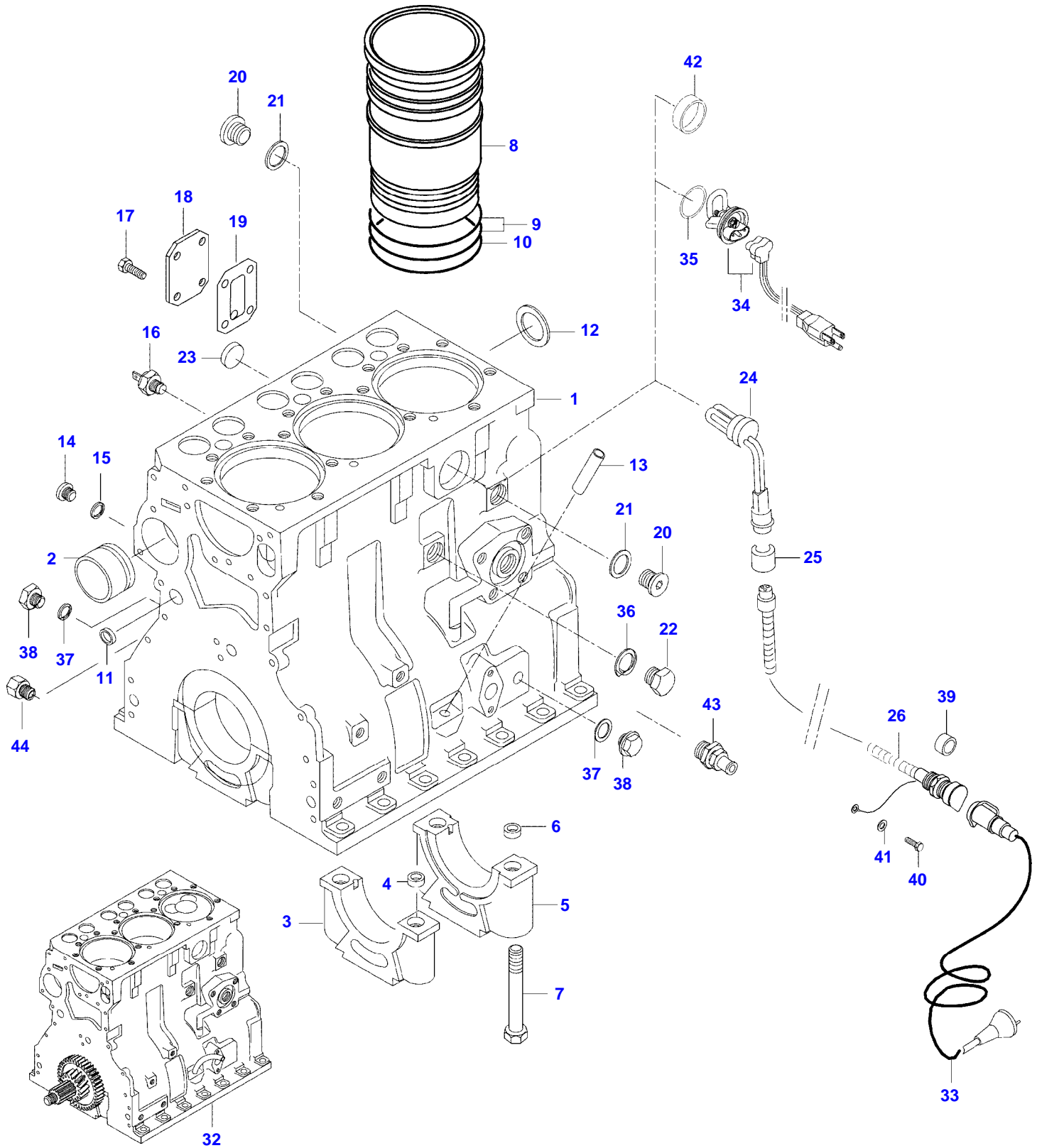


Page Number	Page Title	Page Reference
01-000-TOC	ENGINE, FUEL AND EXHAUST SYSTEM	01-000-TOC
02-000-TOC	AXLES	02-000-TOC
03-000-TOC	STEERING SYSTEM	03-000-TOC
04-000-TOC	DRIVE TRAIN SYSTEM	04-000-TOC
05-000-TOC	BRAKE SYSTEM	05-000-TOC
06-000-TOC	HYDRAULIC SYSTEM	06-000-TOC
07-000-TOC	ELECTRICAL SYSTEM	07-000-TOC
08-000-TOC	CAB	08-000-TOC
09-000-TOC	AIR CONDITIONING AND HEATING SYSTEM	09-000-TOC
10-000-TOC	CHASSIS	10-000-TOC
11-000-TOC	DECALS	11-000-TOC
12-000-TOC	WHEELS	12-000-TOC
13-000-TOC	IMPLEMENT DRIVE SYSTEM	13-000-TOC
14-000-TOC	IMPLEMENT LIFT SYSTEM FRONT	14-000-TOC
15-000-TOC	IMPLEMENT LIFT SYSTEM REAR	15-000-TOC
16-000-TOC	ATTACHMENTS	16-000-TOC
17-000-TOC	GENERAL INFORMATION	17-000-TOC

Page Number	Page Title	Page Reference
01-0001	CYLINDERBLOCK	21-02
01-0002	FLYWHEEL AND HOUSING	21-06
01-0003	CYLINDER HEAD	21-08
01-0004	VALVE MECHANISM	21-12
01-0005	CRANK MECHANISM	21-16
01-0006	GEAR HOUSING	21-20
01-0007	OIL SUMP	21-22
01-0008	OIL FILTER	21-26
01-0009	AIR CLEANER	21-28
01-0010	INTAKE- AND EXHAUST PIPE -P1000(M)	21-34
01-0011	MUFFLER	21-38
01-0012	FEED PUMP	22-02
01-0013	FUEL FILTER	22-06
01-0014	FUEL PIPES	22-12
01-0015	INJECTION PUMP	22-14
01-0016	SPEED LEVERS	22-22
01-0017	SPEED LEVERS, FOREST	22-24
01-0018	RADIATOR	23-02
01-0019	COOLANT PUMP	23-04
01-0020	STARTERMOTOR	31-02
01-0021	ALTERNATOR -P1000(M)	31-04
01-0022	ENGINE REPAIR KIT AND BEARINGS	28-10

A65 TRACTOR (A SERIES)
SPIMG-003-21-02



<https://www.ebooklibonline.com>

Hello dear friend!

Thank you very much for reading.

Enter the link into your browser.

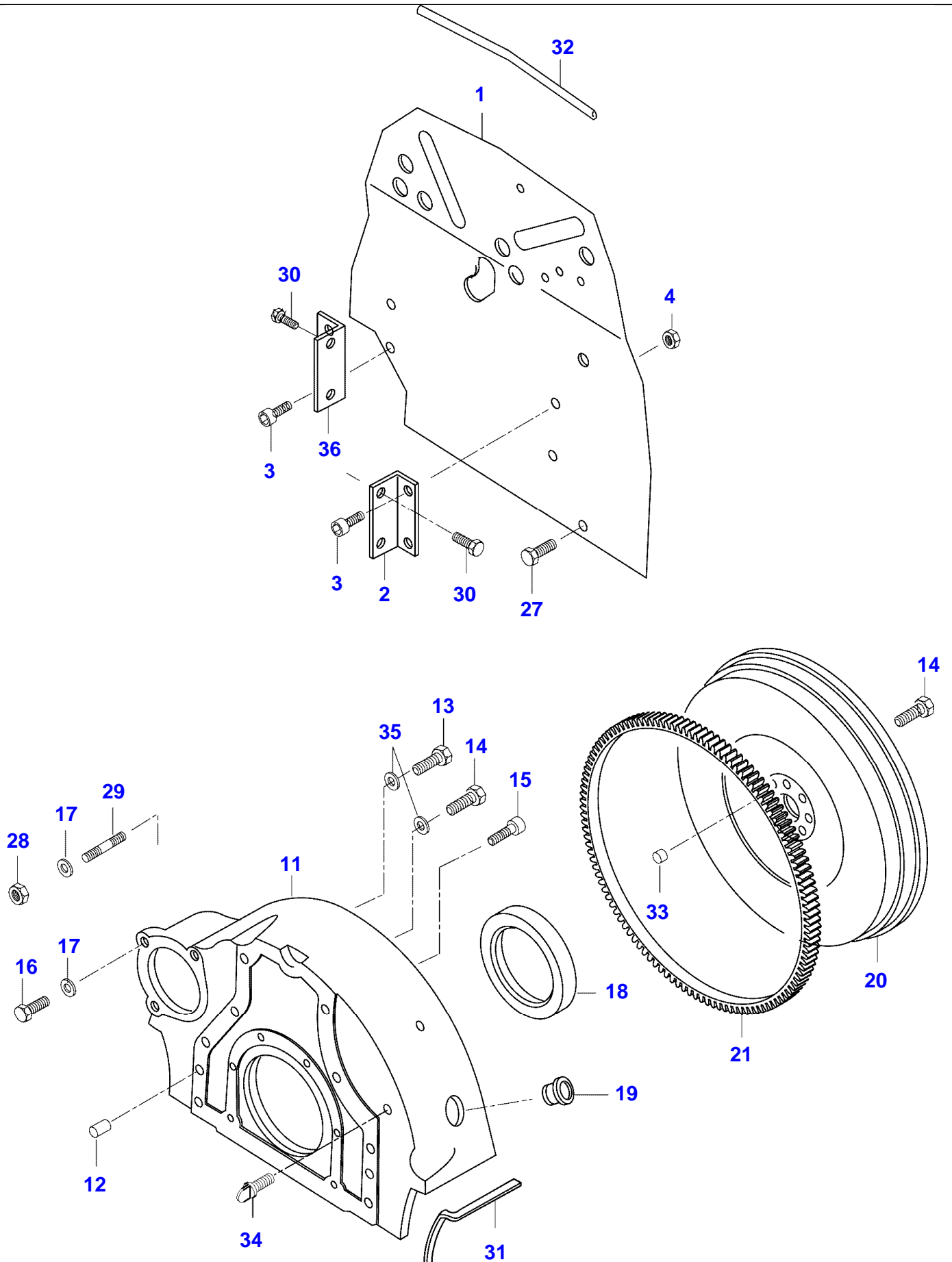
The full manual is available for immediate download.

<https://www.ebooklibonline.com>

Item	Part Number	Qty	Description Comments	Technical Specification
1	V836664514	1	CYLINDER-BLOCK	
2	V836322610	1	CAMSHAFT BEARING BUSHING	
3	NS	3	NON-SERVICEABLE PART	
4	V836214478	6	BEARING COVER GUIDE SLEEVE	
5	NS	1	NON-SERVICEABLE PART	
6	V836214478	2	BEARING COVER GUIDE SLEEVE	
7	V835329030	8	HEX CAP SCREW	
8	V836666990	3	LINER	FLANGE HEIGHT + 0.05 MM
	V836647933		LINER FLANGE S=9.08	
	V836647934		LINER FLANGE S=9.13	FLANGE HEIGHT + 0.10 MM
	V836647935		LINER FLANGE S=9.23	FLANGE HEIGHT + 0.15 MM
9	V836647502	6	CYLINDER LINER O-RING S2	
10	V836647503	3	CYLINDER LINER O-RING S2	
11	V640016016	4	CUP PLUG S2	
12	V836529872	1	PLUG	
13	V836014334	1	OIL DIPSTICK GUIDE PIPE -P1000(M)	
14	V640325110	2	SCREW PLUG	
15	V615571014	2	SEALING WASHER S2	
16	V887283760	1	PRESSURE SWITCH	
17	V528801362	2	HEX CAP SCREW	
18	V836659543	1	COVER	
19	V836659544	1	GASKET S2	
20	V640325018	2	PLUG	
21	V615881822	2	SEALING WASHER	
22	V836019756	1	PLUG	
23	V640016018	1	CUP PLUG	
24	V836647622	1	ENGINE BLOCK HEATER	
25	V33550000	1	ROD CLAMP	
26	V33733700	1	CABLE MINI	L=1500
32	V862530001	1	REMANUFACTURED ENGINE 320	
33	V33733800	1	WIRE MINI	L=5000
	V33733900	1	WIRE DENMARK MINI	L=5000
	V33734000	1	WIRE FRANCE MINI	L=5000
34	V836640935	1	ENGINE BLOCK HEATER CANADA	
35	V836640999	1	O-RING CANADA	

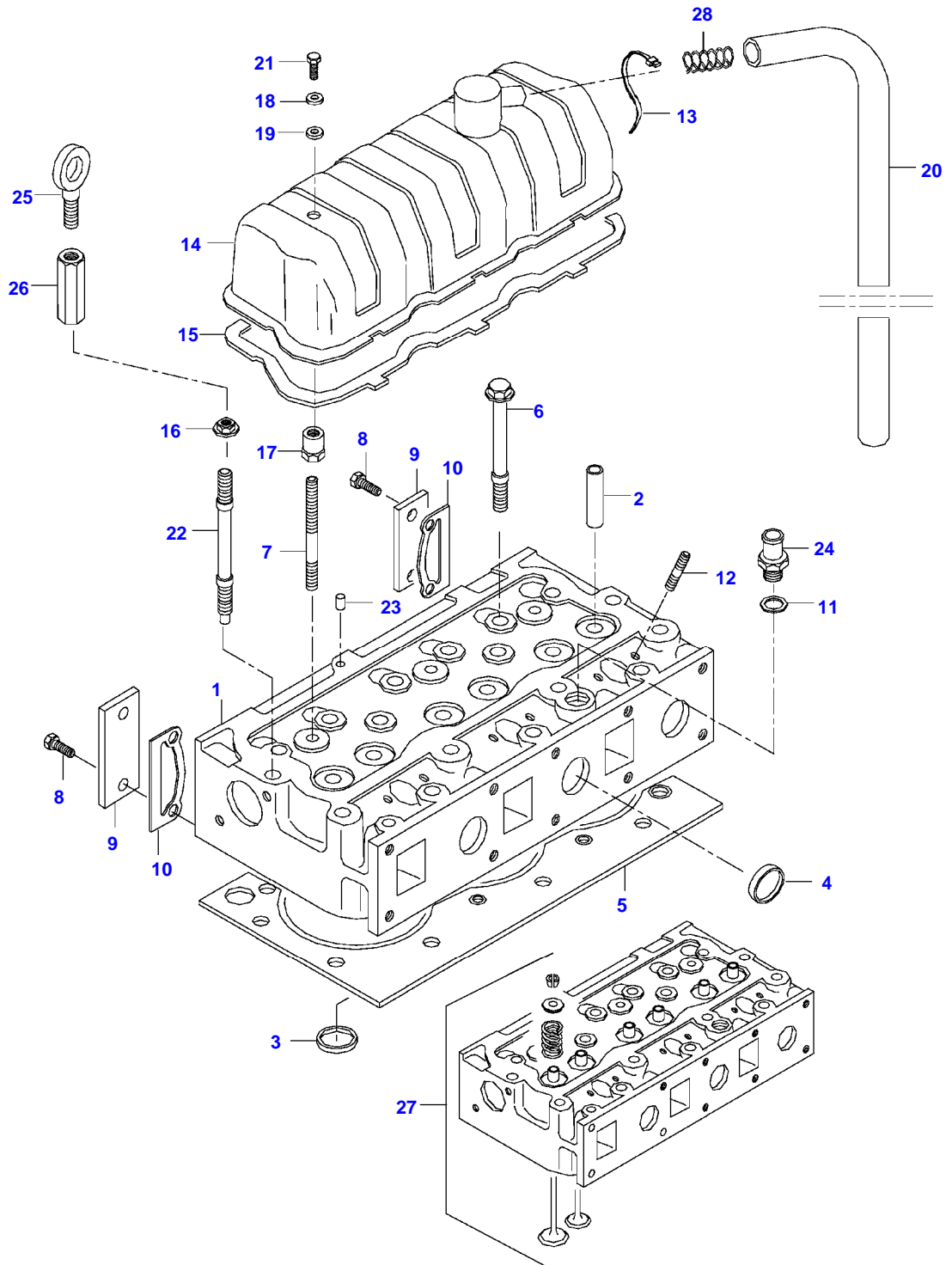
Item	Part Number	Qty	Description Comments	Technical Specification
36	V615881824	1	SEALING WASHER S2	
37	V615881216	2	SEALING WASHER	
38	V640305012	2	PLUG	
39	V33734100	1	SLEEVE BUSHING	
40	VHN6816	1	SCREW	B 4.2 X 30 SFS-ISO_7049
41	VJD9019	2	WASHER	A 4.3 X 0.5 DIN6798
42	V640016040	1	CUP PLUG	
43	V836664377	1	DRAIN VALVE	
	V836640289	1	ENGINE GASKET KIT S1	
	V836640356	1	ENGINE GASKET KIT S1+S2	

A65 TRACTOR (A SERIES)
SPIMG-003-21-06



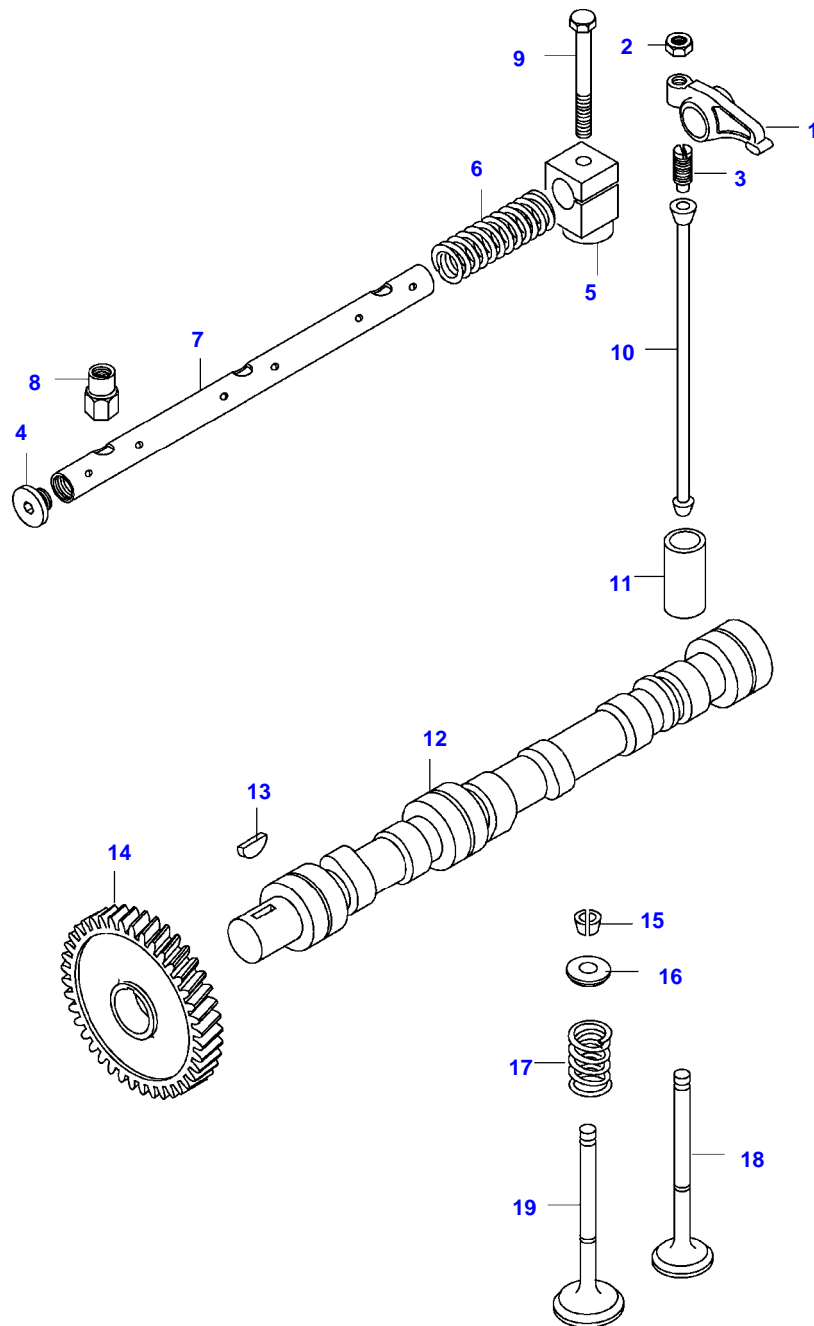
Item	Part Number	Qty	Description Comments	Technical Specification
1	V836664018	1	FLYWHEEL HOUSING -P1000(M)	
2	V836659279	1	BRACKET LEFT	
36	V836659278	2	BRACKET RIGHT	
3	V581804582	4	HEX SOCKET SCREW	
4	V504800800	4	NUT	
11	V836752443	1	FLYWHEEL HOUSING	
12	V598359850	2	PIN	
13	V581705440	2	HEX SOCKET SCREW	
14	V528702220	8	HEX CAP SCREW	
15	V581705030	6	HEX SOCKET SCREW	
16	V528801800	3	HEX CAP SCREW	
17	V500951000	3	SPRING WASHER	
18	V614500002	1	CRANKSHAFT SEAL S2	
19	V836007572	1	RUBBER PLUG D=25	
20	V836538043	1	FLYWHEEL	
21	V836014127	1	ANNULAR GEAR	
27	V528800802	2	HEX CAP SCREW	
28	V504601000	3	NUT	
29	V546801800	3	STUD BOLT	
30	V528801760	2	HEX CAP SCREW	
31	V31085600	1	GASKET LEFT	
	V31085500	1	GASKET RIGHT	
32	V30229000	1	GASKET	L=1200MM
33	V836659527	1	GUIDE SLEEVE	
34	V836859311	1	PLUG	
35	V500951200	8	SPRING WASHER	
	V529702220	6	HEX CAP SCREW	

A65 TRACTOR (A SERIES)
SPIMG-003-21-08



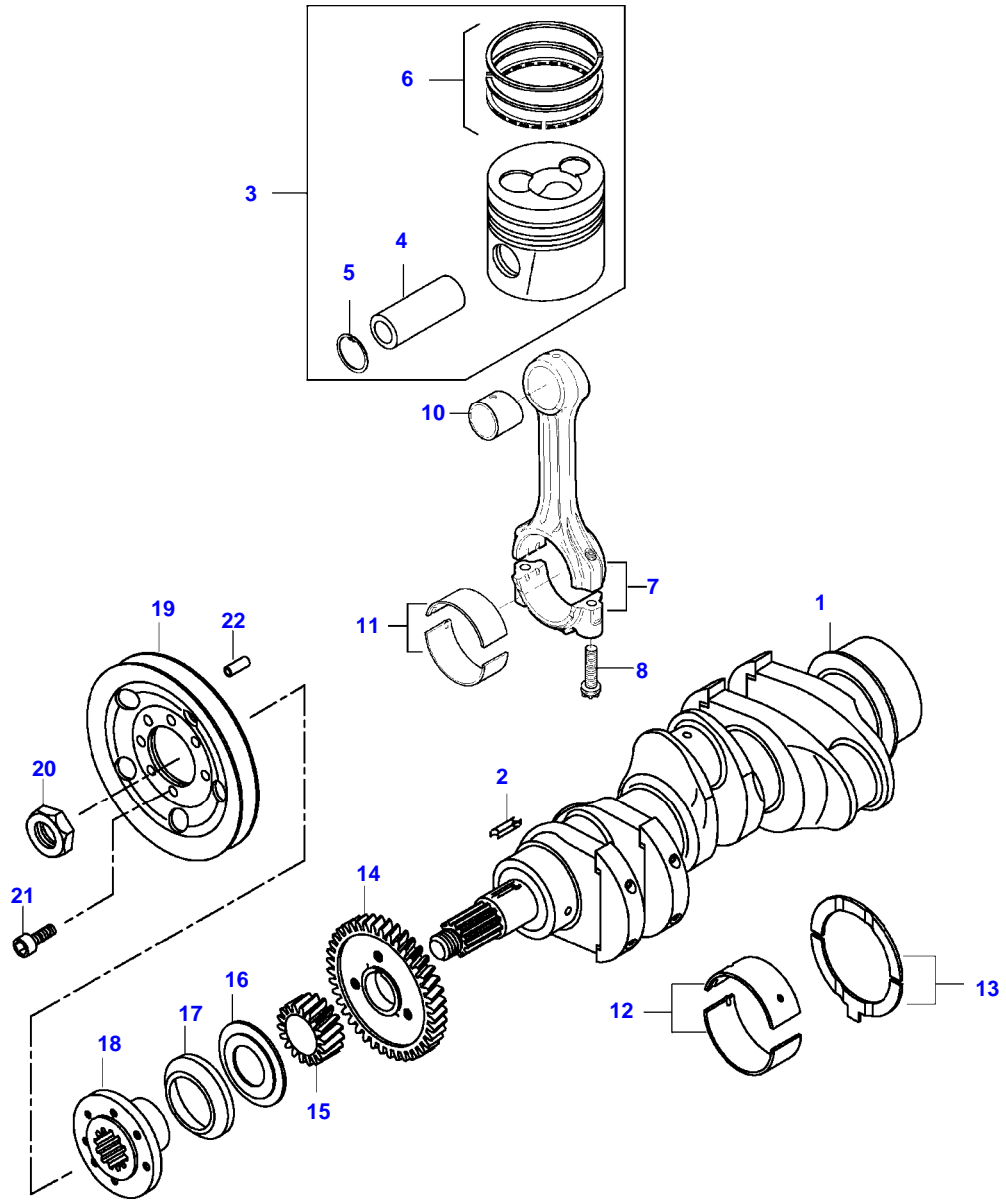
Item	Part Number	Qty	Description Comments
1	V836655379	1	CYLINDER HEAD
2	V836647601	6	GUIDE
3	V836647600	3	VALVE SEAT
4	V836647942	5	CUP PLUG
5	V836666302	1	CYLINDER HEAD GASKET S1
6	V836859104	16	HEXAGON FLANGE BOLT
7	V546801900	2	STUD BOLT
8	V528801800	4	HEX CAP SCREW
9	V836855350	2	BLOCK OFF PLATE
10	V836866215	2	GASKET S1
11	V615881822	1	SEALING WASHER S1
12	V546901435	6	STUD BOLT
13	V835329746	1	CABLE TIE
14	V836646359	1	VALVE ROCKER COVER
15	V836646360	1	VALVE ROCKER COVER GASKET S1
16	V836859110	1	NUT
17	V836655406	2	SLEEVE NUT
18	V836119855	2	WASHER
19	V836012841	2	RUBBER BUSHING S1
20	V836647814	1	RUBBER HOSE
21	V528801780	2	HEX CAP SCREW
22	V836859109	1	STUD BOLT
23	V595959140	1	PIN
24	V836119837	1	HOSE COUPLER
25	V836640252	1	LIFT EYE
26	V836647835	1	LIFTING EYE EXTENSION
27	V836667062	1	LIFTING EYE EXTENSION
28	V836659103	1	SPRING

A65 TRACTOR (A SERIES)
SPIMG-003-21-12



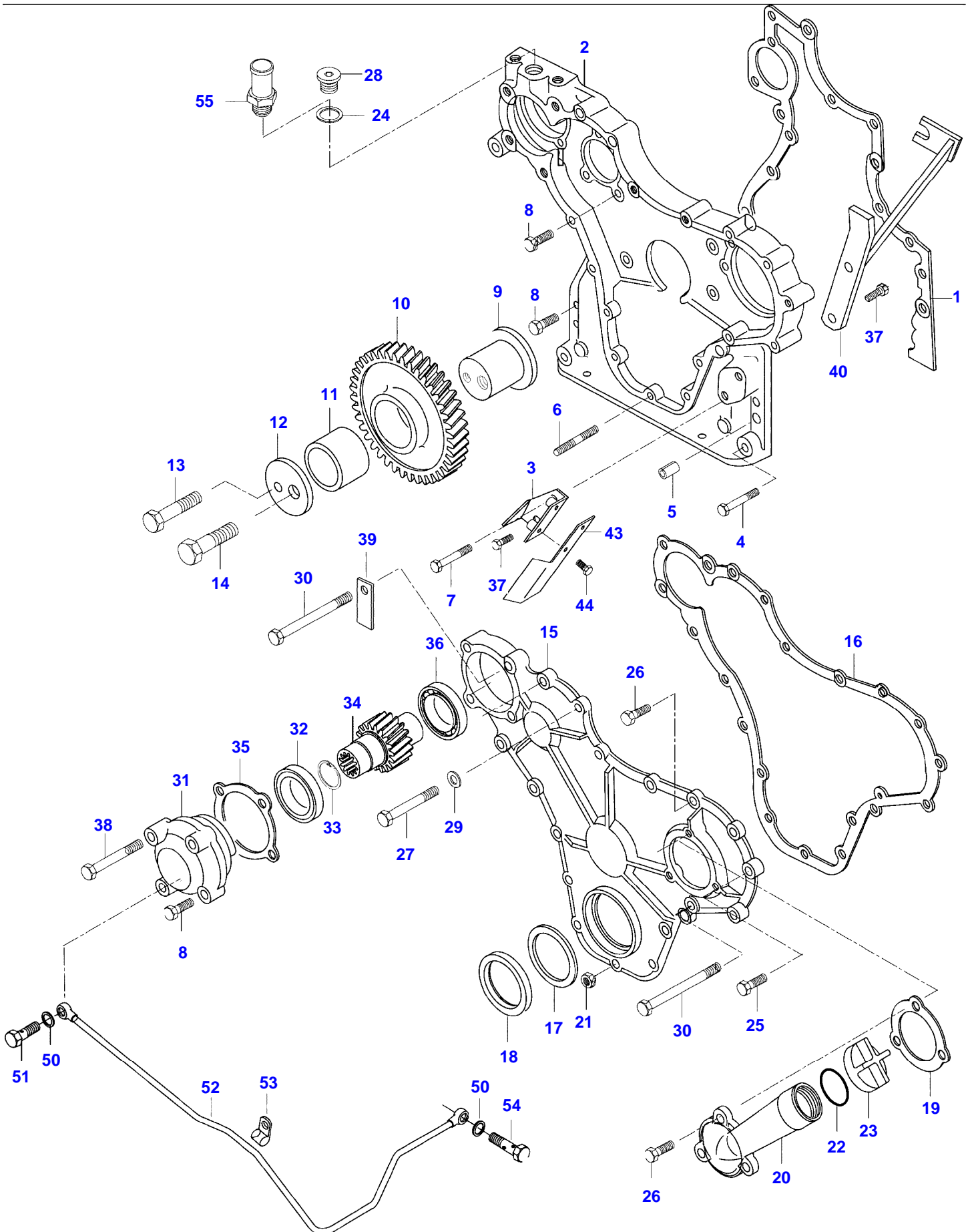
Item	Part Number	Qty	Description Comments
	V836666610	1	ROCKER SHAFT ASM
1	V836666608	6	ROCKER ARM
			.
2	V512861000	6	NUT
			..
3	V836655866	6	ADJUSTING SCREW
			..
4	V836655899	2	PLUG
			.
5	V836666609	3	BRACKET
			.
6	V836655884	2	SPRING
			.
7	V836655870	1	SHAFT
			.
8	V836655406	2	SLEEVE NUT
9	V529801910	1	HEX CAP SCREW
10	V836655867	6	PUSHROD
11	V836014264	6	TAPPET
12	V836646374	1	CAMSHAFT
13	V603305760	1	WOODRUFF KEY
14	V836646389	1	GEAR,CAMSHAFT
15	V836646382	12	COTTER
16	V836646381	6	WASHER
17	V836646380	6	SPRING
18	V836646357	3	EXHAUST VALVE
19	V836646356	3	INTAKE VALVE

A65 TRACTOR (A SERIES)
SPIMG-003-21-16



Item	Part Number	Qty	Description Comments	Technical Specification
1	V836647314	1	CRANKSHAFT	
2	V603345110	1	KEY	
3	V836659702	3	PISTON	
4	NS	3	NON-SERVICEABLE PART	
5	NS	6	PISTON PIN NON-SERVICEABLE PART	
6	V836640126	3	CIRCLIP PISTON RING KIT	
7	V836640968 NS	1	CONNECTING ROD KIT NON-SERVICEABLE PART	
	NS		CONNECTING ROD 1935-1954 G F NON-SERVICEABLE PART	
	NS		CONNECTING ROD 1955-1974 G V NON-SERVICEABLE PART	
	NS		CONNECTING ROD 1975-1994 G X NON-SERVICEABLE PART	
	NS		CONNECTING ROD 1995-2014 G Y NON-SERVICEABLE PART	
	NS		CONNECTING ROD 2015-2034 G W NON-SERVICEABLE PART	
	NS		CONNECTING ROD 2035-2054 G Z NON-SERVICEABLE PART	
8	V836864141	6	CONNECTING ROD 2055-2074 G G CONNECTING ROD BOLT	
10	V836110646	3	BEARING BUSH	STD
11	V836110552	3	BEARING SHELL SEE PAGE 01-0022	
12	V836655514	4	MAIN BEARING SEE PAGE 01-0022	
13	V836119459	2	THRUST WASHER SEE PAGE 01-0022	
14	V836120019	1	GEAR,CRANKSHAFT Z=55	
15	V836122840	1	GEAR,CRANKSHAFT	
16	V836129781	1	RING	
17	V836136271	1	SHIELD	
18	V836846463	1	CRANKSHAFT HUB	
19	V836655449	1	CRANKSHAFT V-BELT PULLEY	
20	V836647310	1	CRANKSHAFT NUT	
21	V581804600	6	HEX SOCKET SCREW	
22	V595953360	1	PIN	

A65 TRACTOR (A SERIES)
SPIMG-003-21-20

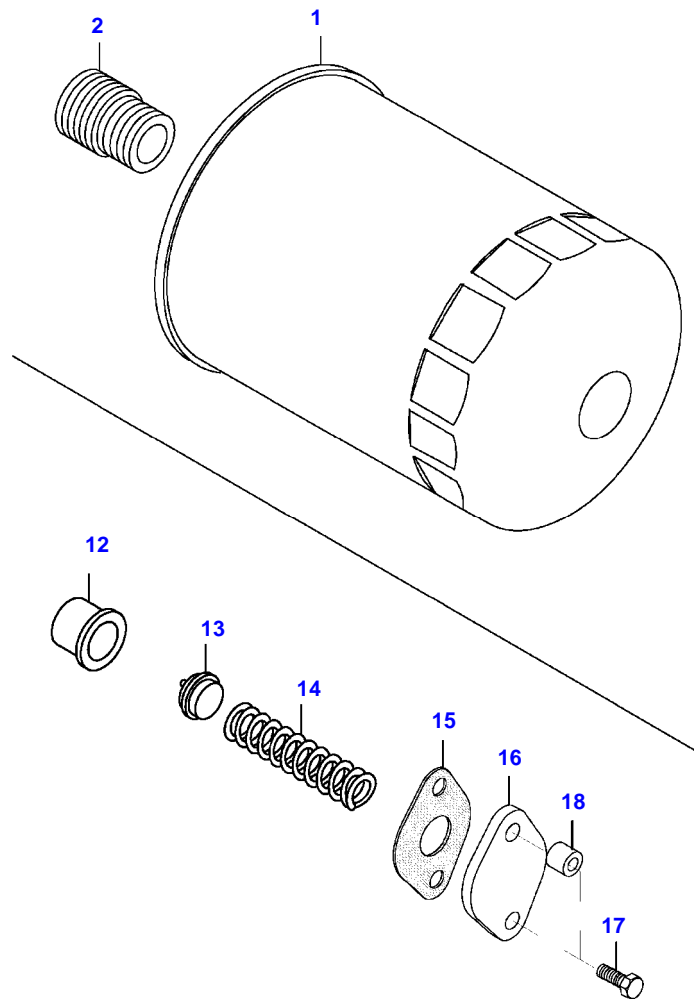


Item	Part Number	Qty	Description Comments
1	V836647419	1	GASKET S2
2	V836647407	1	TIMING GEAR CASE
3	V836655720	1	TIMING MARK INDICATOR
4	V529801440	2	HEX CAP SCREW
5	V598359850	4	PIN
6	V546801380	5	STUD BOLT
7	V529801450	1	HEX CAP SCREW
8	V528801400	10	HEX CAP SCREW
9	V836766127	1	SHAFT
	V836138354	1	IDLER GEAR ASSEMBLY
10	NS	1	NON-SERVICEABLE PART . GEAR
11	V836139039	1	BUSHING .
12	V836129845	1	FLANGE
13	V528801910	1	SCREW
14	V529902720	1	HEX CAP SCREW
15	V836647575	1	GEAR HOUSING FRONT COVER
16	V835336796	1	GASKET S2
17	V836129782	1	COVER
18	V614105880	1	OIL SEAL S2
19	V836129946	1	GASKET S2
20	V835338325	1	ENGINE OIL FILL PIPE
21	V504800800	5	NUT
22	V614603540	1	O-RING S2
23	V836017927	1	CAP
	V836655188	1	CAP INCLUDES CHAIN
24	V615881822	1	SEALING WASHER S2
25	V528801420	2	HEX CAP SCREW
26	V528801382	5	HEX CAP SCREW
27	V529801470	3	HEX CAP SCREW
28	V640325018	1	PLUG
29	V836120989	1	WASHER
30	V529801500	2	HEX CAP SCREW
	V836666028	1	DRIVE ASSEMBLY
31	V836664542	1	BEARING HOUSING .
32	V610060096	1	BALL BEARING .
33	V617330031	1	LOCK RING .
34	V836120880	1	SHAFT .
35	V835336793	1	GASKET S2
36	V610060096	1	BALL BEARING
37	V528801362	3	HEX CAP SCREW
38	V529801460	4	HEX CAP SCREW
39	V836083428	1	CABLE TIE
41	V835331289	2	BANJO BOLT
42	V615870610	4	SEALING WASHER
43	V836659093	1	SHIELD
44	V528801082	2	HEX CAP SCREW
50	V615571014	4	SEALING WASHER
51	V836664212	1	BANJO BOLT
52	V836664543	1	OIL PIPE

Item	Part Number	Qty	Description Comments
53	V836009683	1	RETAINER CLAMP
54	V835330966	1	BANJO BOLT [A] [A] LINE PUMP

Item	Part Number	Qty	Description Comments
1	V836664336	1	OIL SUMP
2	V836664515	1	GASKET S2
3	V581804980	14	HEX SOCKET SCREW M10X16
4	V500951032	14	SPRING WASHER
5	V581804580	4	HEX SOCKET SCREW M8X16
6	V500950800	4	SPRING WASHER
7	V615881827	1	SEALING WASHER S2
8	V836655493	1	PLUG
9	V836014330	1	DIPSTICK -P1000(M)
27	V836652604	1	LUBRICATING OIL PUMP ASSEMBLY
10	V504861000	1	NUT . M10
11	V836122910	1	WASHER .
12	V836652596	1	GEAR .
13	V836120195	1	HOUSING .
14	V528801380	4	HEX CAP SCREW . M8 X 20
15	V836652600	1	OIL PUMP SHAFT .
16	V836120191	1	OIL PUMP SHAFT .
17	V836120193	1	GEAR .
18	V836119796	1	GASKET .
19	V836119794	1	S2 COVER .
20	V581805050	2	HEX SOCKET SCREW M10 X 40
21	V836007871	X	SHIM
22	V836008449	3	GASKET S2
23	V581804600	6	HEX SOCKET SCREW M8 X 20
24	V836664495	1	OIL PUMP SUCTION PIPE
25	V836659624	1	OIL PIPE

A65 TRACTOR (A SERIES)
SPIMG-003-21-26



Item	Part Number	Qty	Description Comments
1	V836462576	1	ENGINE OIL FILTER
2	V836647404	1	UNION
	V836662129		OIL PRESSURE CONTROL VALVE ASSEMBLY
12	V836659521	1	VALVE SEAT
			.
13	V836659522	1	VALVE CONE
			.
14	V836659523	1	SPRING
			.
15	V836322190	1	GASKET
			.
16	V836659524	1	COVER
			.
17	V528801380	2	HEX CAP SCREW
			.
18	V836136337	1	SPACER PIECE
			.



Suggest:

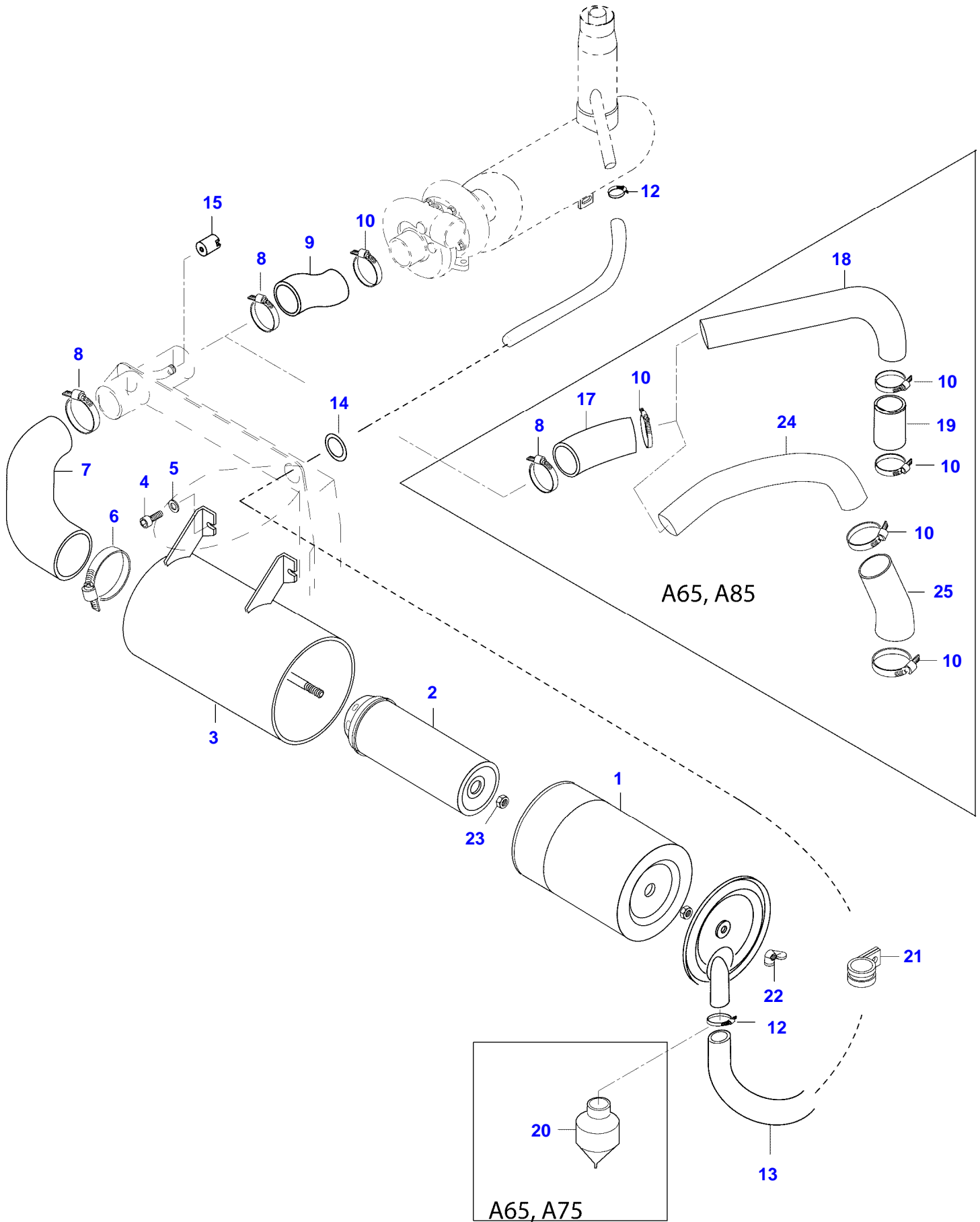
For more complete manuals. Please go to the home page.

<https://www.ebooklibonline.com>

If the above button click is invalid. Please download this document first, and then click the above link to download the complete manual.

Thank you so much for reading

A65 TRACTOR (A SERIES)
SPIMG-003-21-28



Item	Part Number	Qty	Description Comments	Technical Specification
	V33391000	1	AIR FILTER ASSEMBLY	D=225
1	V836462568	1	PRIMARY AIR FILTER ELEMENT	
			D=165 L=380	
2	V836462569	1	SECONDARY AIR FILTER ELEMENT	
			D=85 L=370	
3	NS	1	NON-SERVICEABLE PART	
			HOUSING	
22	VJC1610	1	BLADE NUT	M10 DIN315 G5 ZNE
23	VJB8905	2	LOCKNUT	M10 SFS_EN_ISO_10511
4	VHC9621	2	HEX SOCKET SCREW	M8X12 SFS_EN_ISO_4762 8.8
5	VJD0408	2	WASHER	M8
6	VGP3933	1	HOSE CLIP	D=95 SMS2298
7	V33431500	1	TUBE	
8	VGP3933	2	HOSE CLIP	D=95 SMS2298
10	VGP3942	3	HOSE CLIP	D=75 SMS2298
12	VGP3919	2	HOSE CLIP	D=26-38 SMS2298
14	V75011500	1	RUBBER INLET	D=40/3
15	V33389600	1	SENSOR AIR FILTER	6.5 KPA
17	V33390100	1	TUBE	
24	V33751600	1	TUBE	
25	V34039800	1	RUBBER TUBE	
20	V33480000	1	VALVE	

<https://www.ebooklibonline.com>

Hello dear friend!

Thank you very much for reading.

Enter the link into your browser.

The full manual is available for immediate download.

<https://www.ebooklibonline.com>