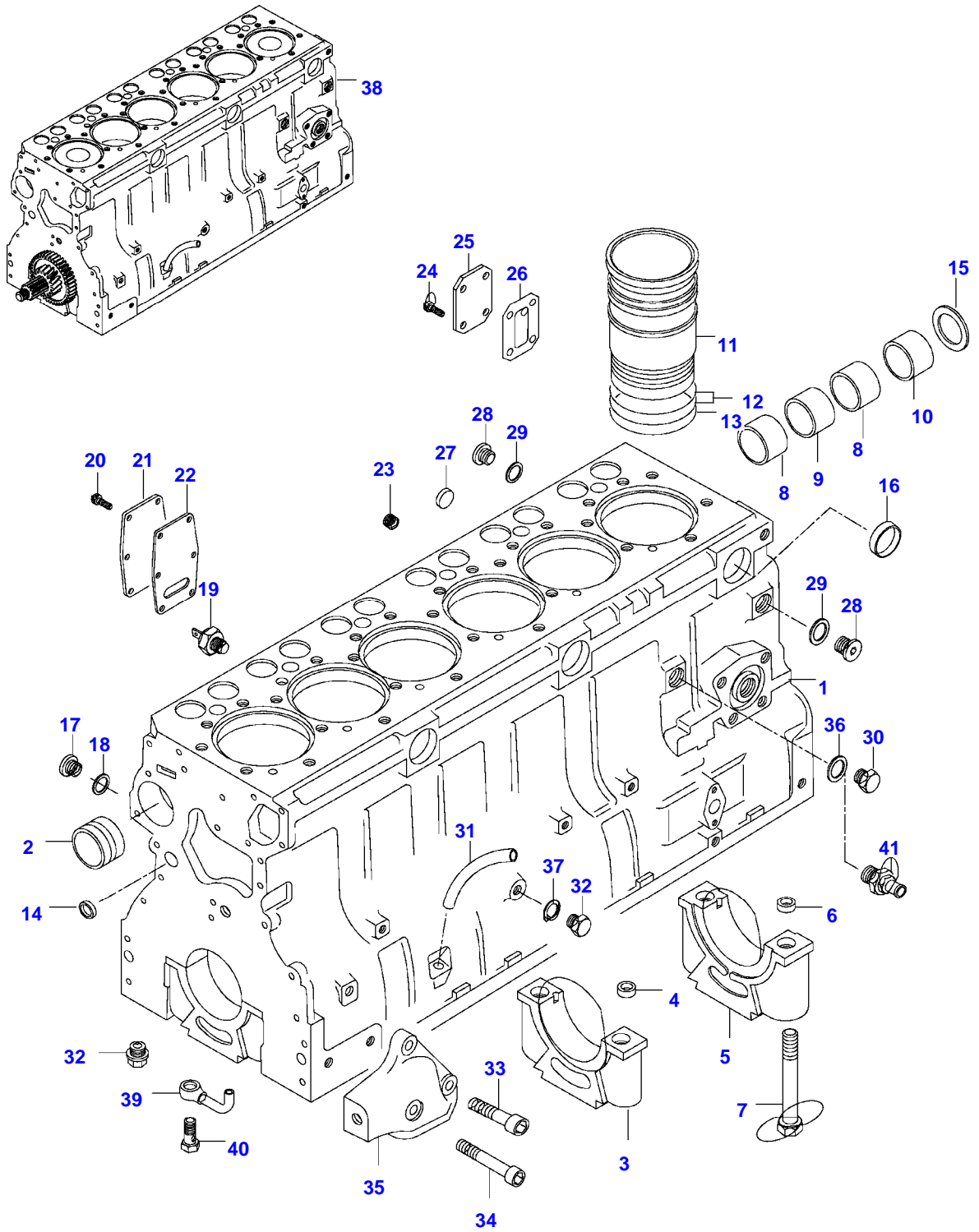


| Page Number | Page Title | Page Reference |
|--------------------|-------------------------------------|-----------------------|
| 01-000-TOC | ENGINE, FUEL AND EXHAUST SYSTEM | 01-000-TOC |
| 02-000-TOC | AXLES | 02-000-TOC |
| 03-000-TOC | STEERING SYSTEM | 03-000-TOC |
| 04-000-TOC | DRIVE TRAIN SYSTEM | 04-000-TOC |
| 05-000-TOC | BRAKE SYSTEM | 05-000-TOC |
| 06-000-TOC | COMPRESSED AIR SYSTEM | 06-000-TOC |
| 07-000-TOC | HYDRAULIC SYSTEM | 07-000-TOC |
| 08-000-TOC | ELECTRICAL SYSTEM | 08-000-TOC |
| 09-000-TOC | CAB | 09-000-TOC |
| 10-000-TOC | AIR CONDITIONING AND HEATING SYSTEM | 10-000-TOC |
| 11-000-TOC | CHASSIS | 11-000-TOC |
| 12-000-TOC | DECALS | 12-000-TOC |
| 13-000-TOC | WHEELS | 13-000-TOC |
| 14-000-TOC | IMPLEMENT DRIVE SYSTEM | 14-000-TOC |
| 15-000-TOC | IMPLEMENT LIFT SYSTEM FRONT | 15-000-TOC |
| 16-000-TOC | IMPLEMENT LIFT SYSTEM REAR | 16-000-TOC |
| 17-000-TOC | PRECISION FARMING SYSTEMS | 17-000-TOC |
| 18-000-TOC | ATTACHMENTS | 18-000-TOC |
| 19-000-TOC | GENERAL INFORMATION | 19-000-TOC |

| Page Number | Page Title | Page Reference |
|-------------|---|----------------|
| 01-0001 | CYLINDERBLOCK | 21-04 |
| 01-0002 | FLYWHEEL AND HOUSING | 21-06 |
| 01-0003 | CYLINDER HEAD | 21-10 |
| 01-0004 | VALVE MECHANISM | 21-14 |
| 01-0005 | CRANK MECHANISM | 21-18 |
| 01-0006 | GEAR HOUSING | 21-22 |
| 01-0007 | OIL FILTER | 21-28 |
| 01-0008 | OIL SUMP | 21-32 |
| 01-0009 | OIL SUMP | 21-34 |
| | LONG WHEEL BASE | |
| 01-0010 | AIR CLEANER | 21-38 |
| 01-0011 | INTAKE- AND EXHAUST PIPE | 21-44 |
| 01-0012 | PILLAR EXHAUST PIPE | 21-48 |
| 01-0013 | TURBOCHARGER | 21-54 |
| 01-0014 | COLD-STARTING DEVICE | 21-58 |
| 01-0015 | FEED PUMP | 22-02 |
| 01-0016 | FUEL FILTER | 22-08 |
| 01-0017 | PREFILTER, FUEL | 22-10 |
| 01-0018 | FUEL PIPES | 22-12 |
| 01-0019 | INJECTION PUMP | 22-18 |
| 01-0020 | ELECTRIC STOP / 2-POWER VALVE | 22-20 |
| 01-0021 | SPEED LEVERS | 22-22 |
| 01-0022 | RADIATOR | 23-02 |
| 01-0023 | COOLANT PUMP | 23-10 |
| 01-0024 | STARTERMOTOR | 31-02 |
| | -P06276 | |
| 01-0025 | STARTERMOTOR | 31-02A |
| | P06277- | |
| 01-0026 | ALTERNATOR | 31-04 |
| 01-0027 | ALTERNATOR | 31-08 |
| 01-0028 | GASKET SETS | 28-04 |
| 01-0029 | GASKET SETS | 28-08 |
| 01-0030 | ENGINE REPAIR KIT AND BEARING | 28-12 |
| 01-0031 | ADJUSTING PLATE FOR INJECTOR | 28-14 |
| 01-0032 | SHIELD COVER AIR CLEANER (OPTIONAL EQUIPMENT) | 29-18 |
| 01-0033 | MUFFLER (OPTIONAL EQUIPMENT) | 29-22 |
| 01-0034 | CATALYZER (OPTIONAL EQUIPMENT) | 29-24 |
| | PILLAR EXHAUST PIPE | |
| 01-0035 | ENGINE HEATER (OPTIONAL EQUIPMENT) | 39-06 |

8950HI TRACTOR (HITECH SERIES)
SPIMG-008-21-04



<https://www.ebooklibonline.com>

Hello dear friend!

Thank you very much for reading.

Enter the link into your browser.

The full manual is available for immediate download.

<https://www.ebooklibonline.com>

| Item | Part Number | Qty | Description Comments |
|------|-------------|-----|-------------------------------|
| 1 | V836866110 | 1 | CYLINDER BLOCK |
| 2 | V836866069 | 1 | CAMSHAFT BEARING BUSHING |
| 3 | NS | 6 | NON-SERVICEABLE PART |
| 4 | V836214478 | 12 | BEARING COVER GUIDE SLEEVE |
| 5 | NS | 1 | NON-SERVICEABLE PART |
| 6 | V836214478 | 2 | BEARING COVER GUIDE SLEEVE |
| 7 | V835329030 | 14 | HEX CAP SCREW |
| 8 | V836852460 | 2 | CAMSHAFT BEARING BUSHING |
| 9 | V836852459 | 1 | CAMSHAFT BEARING BUSHING |
| 10 | V836852461 | 1 | CAMSHAFT BEARING BUSHING |
| 11 | V836666990 | 6 | LINER |
| 12 | V836647502 | 12 | CYLINDER LINER O-RING S2 |
| 13 | V836647503 | 6 | CYLINDER LINER O-RING S2 |
| 14 | V640016016 | 4 | CUP PLUG S2 |
| 15 | V836852744 | 1 | PLUG |
| 16 | V640016040 | 2 | CUP PLUG |
| 17 | V640325110 | 3 | SCREW PLUG |
| 18 | V615571014 | 3 | SEALING WASHER S2 |
| 19 | V887283760 | 1 | PRESSURE SWITCH |
| 20 | V528801380 | 6 | HEX CAP SCREW |
| 21 | V836847994 | 1 | FLANGE |
| 22 | V836322852 | 1 | GASKET S2 |
| 23 | V640025010 | 1 | PLUG |
| 24 | V528801362 | 4 | HEX CAP SCREW N12129- (M) |
| 25 | V836866957 | 1 | COVER N12129- (M) |
| 26 | V836866958 | 1 | GASKET S2 N12129- (M) |
| 27 | V640016018 | 2 | CUP PLUG |
| 28 | V640325018 | 2 | PLUG |
| 29 | V615881822 | 2 | SEALING WASHER S2 |
| 30 | V836019756 | 1 | PLUG |
| 31 | V836129747 | 1 | OIL DIPSTICK GUIDE PIPE |
| 32 | V640305012 | 7 | PLUG |
| 33 | V581705850 | 4 | HEX SOCKET SCREW |
| 34 | V581705890 | 2 | HEX SOCKET SCREW |
| 35 | V836346012 | 1 | ENGINE MOUNT LEFT |
| | V836346013 | 1 | ENGINE MOUNT RIGHT |
| 36 | V615881824 | 1 | SEALING WASHER S2 |
| 37 | V615881216 | 1 | SEALING WASHER S2 |
| 38 | V832860001 | 1 | ENGINE |
| 39 | V836855093 | 6 | OIL NOZZLE |
| 40 | V836338601 | 6 | PRESSURE VALVE |

Valtra

8950HI TRACTOR (HITECH SERIES)

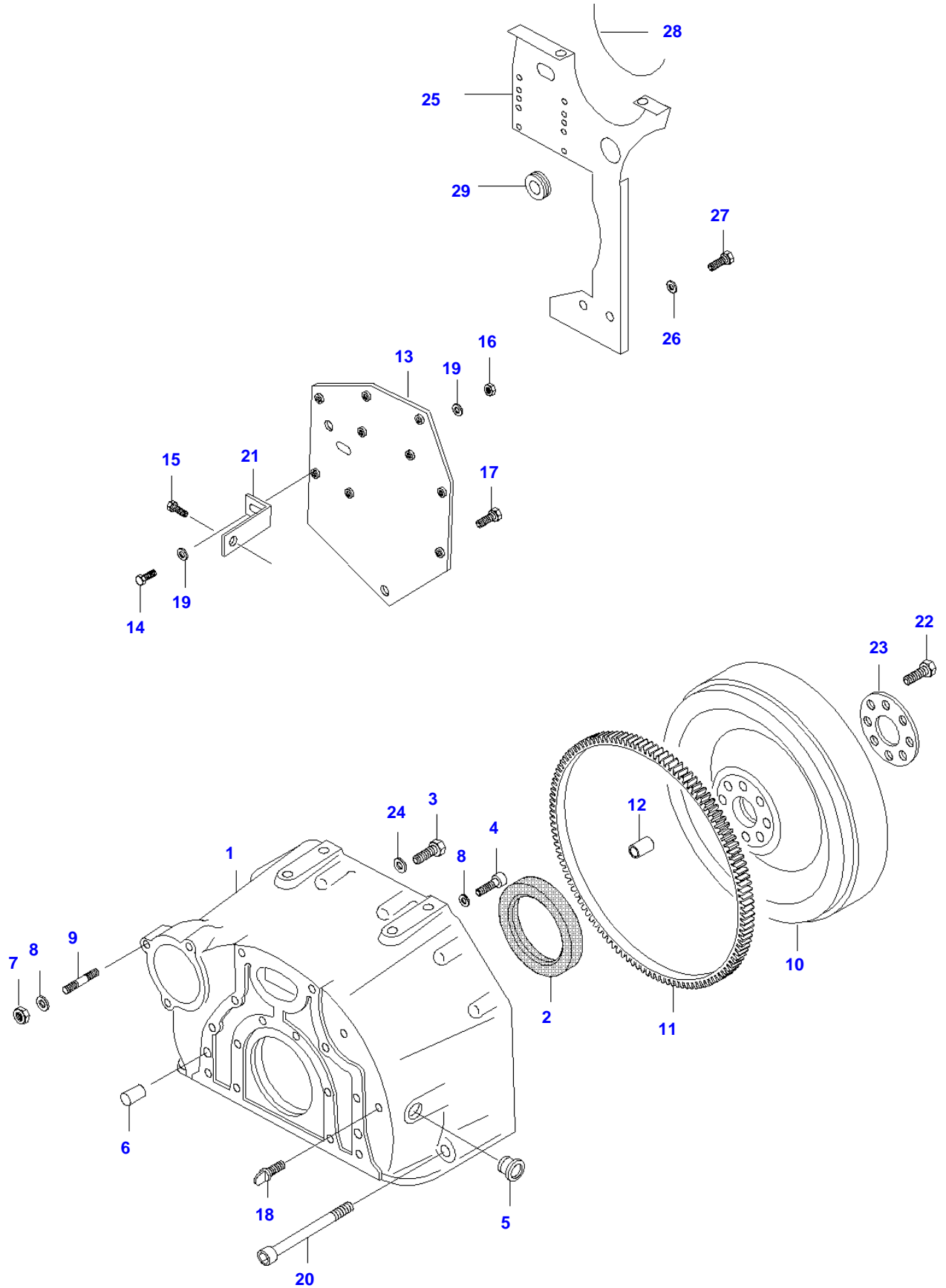
VFH8950

CYLINDERBLOCK

Page01-0001

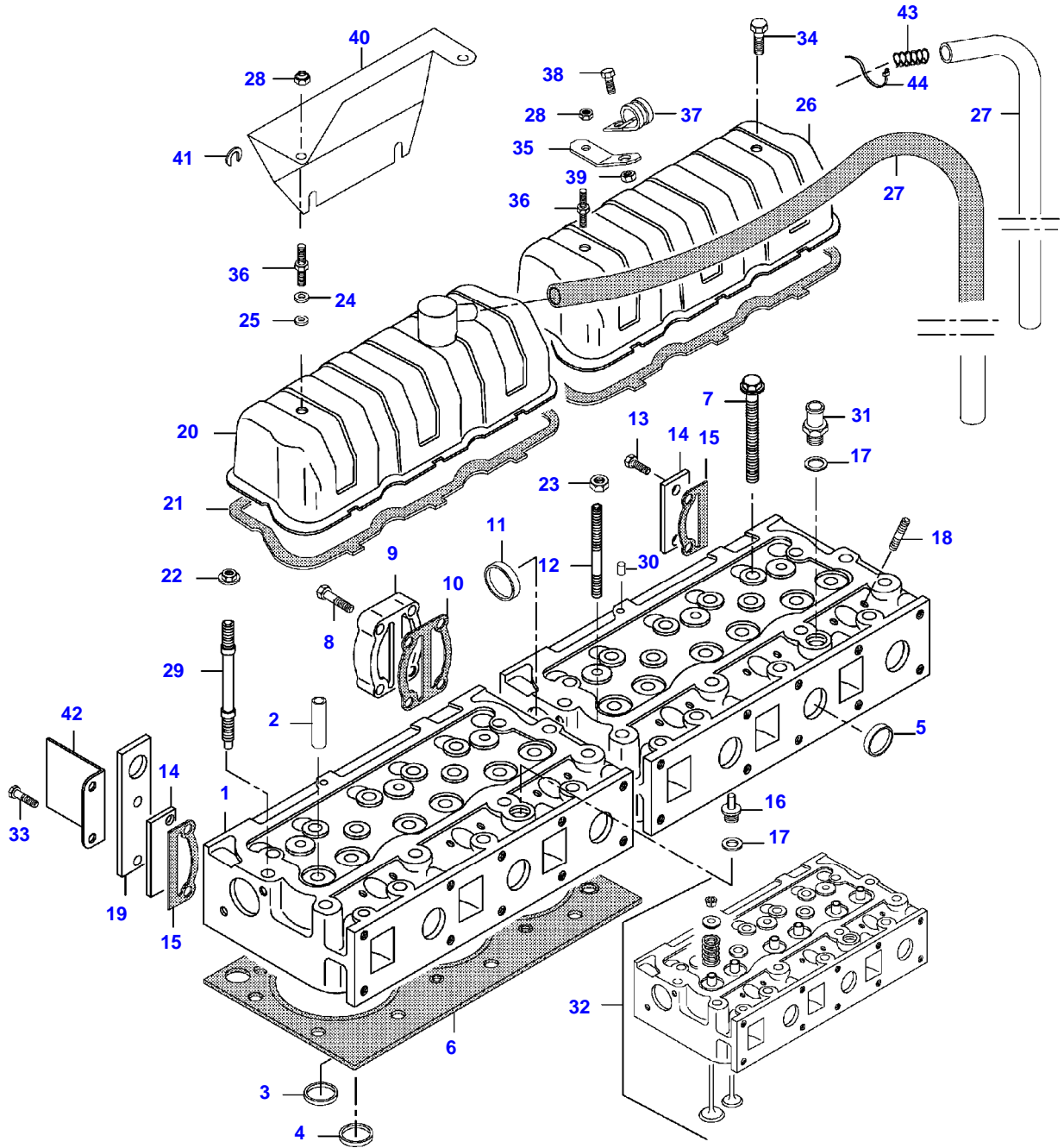
| Item | Part Number | Qty | Description Comments |
|------|-------------|-----|----------------------------|
| 41 | V836664377 | 1 | DRAIN VALVE |
| | V836840237 | 1 | ENGINE GASKET KIT S1 |
| | V836840238 | 1 | ENGINE GASKET KIT S1+S2 |

8950HI TRACTOR (HITECH SERIES)
SPIMG-008-21-06



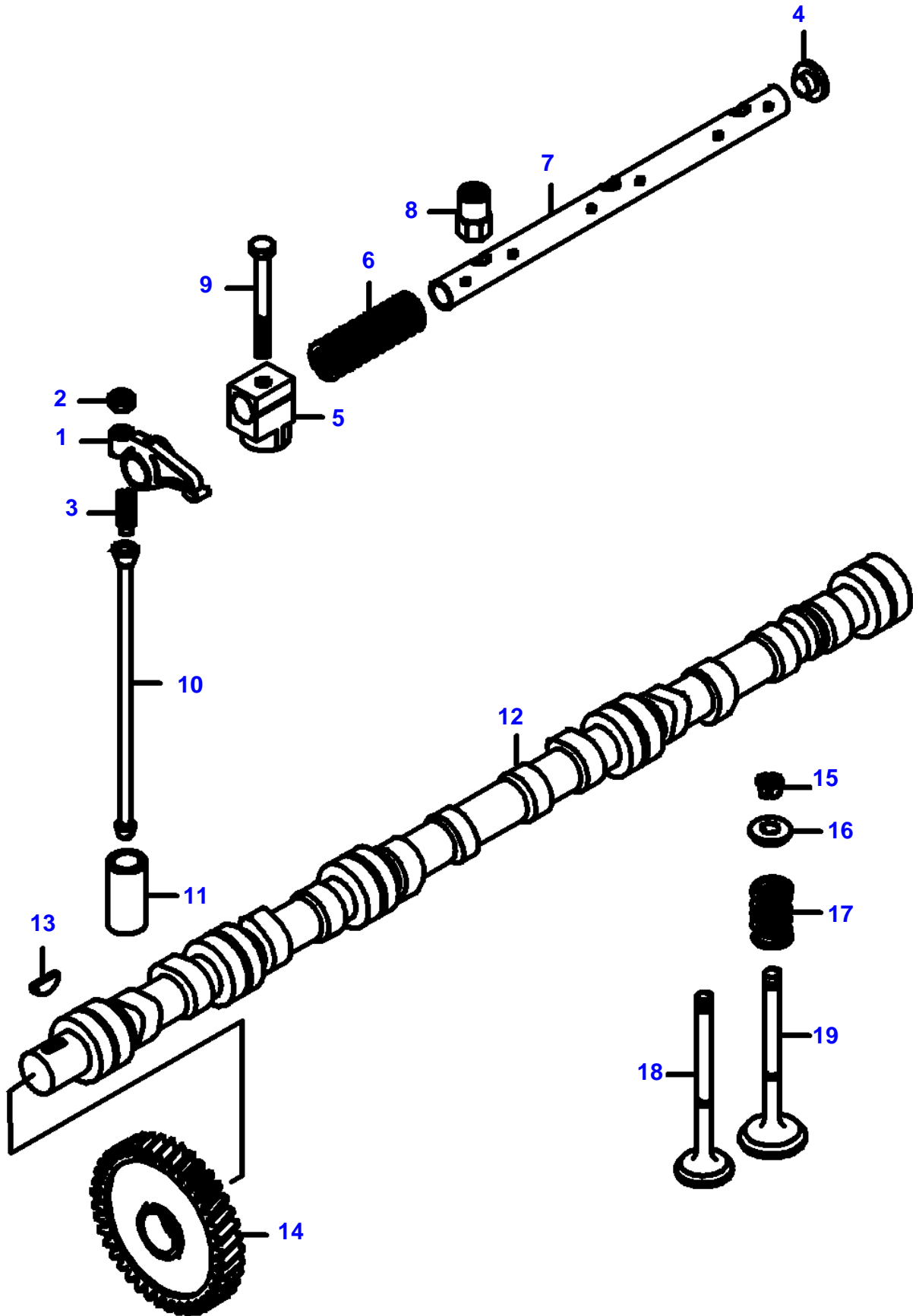
| Item | Part Number | Qty | Description Comments | Technical Specification |
|------|-------------|-----|------------------------------|-----------------------------|
| 1 | V836647439 | 1 | FLYWHEEL HOUSING | |
| 2 | V614500002 | 1 | CRANKSHAFT SEAL S2 | |
| 3 | V529702220 | 8 | HEX CAP SCREW | |
| 4 | V581705030 | 6 | HEX SOCKET SCREW | |
| 5 | V836007572 | 1 | RUBBER PLUG | |
| 6 | V598359850 | 2 | PIN | |
| 7 | V504601000 | 3 | NUT | |
| 8 | V500951000 | 9 | SPRING WASHER | |
| 9 | V546801800 | 3 | STUD BOLT | |
| 10 | V836659990 | 1 | FLYWHEEL SASCH | |
| | V836659502 | 1 | FLYWHEEL VOITH -666065 | |
| | V836759820 | 1 | FLYWHEEL VOITH 666066- | |
| 11 | V835328783 | 1 | STARTER RING | |
| 12 | V836659527 | 1 | GUIDE SLEEVE | |
| 13 | V836759798 | 1 | BRACKET | |
| 14 | V528801362 | 1 | HEX CAP SCREW | |
| 15 | V528801760 | 1 | HEX CAP SCREW | |
| 16 | V504800800 | 1 | NUT | |
| 17 | V528802180 | 1 | HEX CAP SCREW | |
| 18 | V836859311 | 1 | PLUG | |
| 19 | V500150842 | 2 | WASHER | |
| 20 | VHC8519 | 2 | HEX SOCKET SCREW | M12 X 140 DIN912 8.8 |
| 21 | V836755361 | 1 | SUPPORT | |
| 22 | V529702250 | 8 | HEX CAP SCREW | |
| 23 | V836355864 | 1 | RING | |
| 24 | V500951200 | 8 | SPRING WASHER | |
| 25 | V34172400 | 1 | HOLDER | |
| 26 | VJD0408 | 2 | WASHER | M8 |
| 27 | VHA6322 | 2 | SCREW | M8 X 16 SFS_EN_ISO_4017 8.8 |
| 28 | V32604200 | 1 | BAND | |
| 29 | ACV0799330 | 1 | GROMMET | |

8950HI TRACTOR (HITECH SERIES)
SPIMG-008-21-10



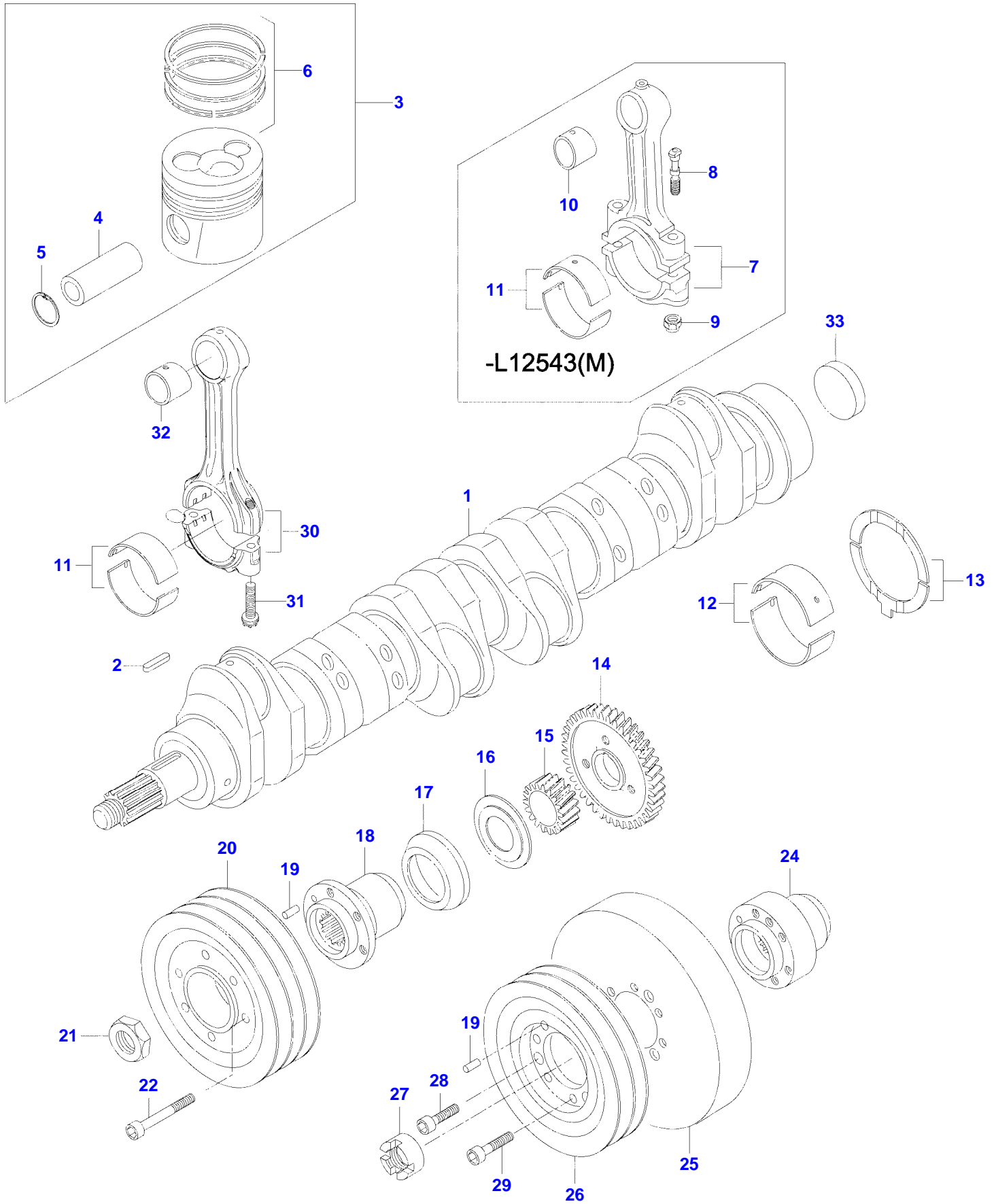
| Item | Part Number | Qty | Description Comments |
|------|-------------|-----|---------------------------------|
| 1 | V836855381 | 2 | CYLINDER HEAD |
| 2 | V836647601 | 12 | GUIDE |
| 3 | V836647600 | 6 | VALVE SEAT |
| 4 | V836647936 | 6 | EXHAUST VALVE SEAT |
| 5 | V836647942 | 10 | INTAKE CUP PLUG |
| 6 | V836666302 | 2 | CYLINDER HEAD GASKET S1 |
| 7 | V836859104 | 32 | HEXAGON FLANGE BOLT |
| 8 | V529801830 | 4 | HEX CAP SCREW M10 |
| 9 | V836855348 | 1 | CONNECTION FLANGE |
| 10 | V836866214 | 1 | GASKET S1 |
| 11 | V640016045 | 1 | CUP PLUG |
| 12 | V546801900 | 4 | STUD BOLT |
| 13 | V528801800 | 2 | HEX CAP SCREW M10 |
| 14 | V836855350 | 2 | BLOCK OFF PLATE |
| 15 | V836866215 | 2 | GASKET S1 |
| 16 | V836659058 | 1 | CONNECTOR |
| 17 | V615881822 | 2 | SEALING WASHER S1 |
| 18 | V546901435 | 12 | STUD BOLT |
| 19 | V836855349 | 2 | LIFT EYE |
| 20 | V836859501 | 1 | VALVE ROCKER COVER |
| 21 | V836646360 | 2 | VALVE ROCKER COVER GASKET S1 |
| 22 | V836859110 | 2 | NUT |
| 23 | V836655406 | 4 | SLEEVE NUT |
| 24 | V836119855 | 4 | WASHER |
| 25 | V836012841 | 4 | RUBBER BUSHING S1 |
| 26 | V836846448 | 1 | VALVE ROCKER COVER |
| 27 | V836659918 | 1 | RUBBER HOSE |
| 28 | V510601002 | 4 | NUT |
| 29 | V836859109 | 2 | STUD BOLT |
| 30 | V595959140 | 2 | PIN |
| 31 | V836119837 | 1 | HOSE COUPLER |
| 32 | V836640897 | 2 | KIT, CYL. HEAD |
| 33 | V528801820 | 2 | HEX CAP SCREW |
| 34 | V528801780 | 2 | HEX CAP SCREW |
| 35 | V836652567 | 1 | SUPPORT |
| 36 | V836659175 | 3 | STUD BOLT |
| 37 | V836659539 | 1 | CLAMP |
| 38 | V528801362 | 1 | HEX CAP SCREW |
| 39 | V504800800 | 1 | NUT |
| 40 | V836859843 | 1 | HEAT SHIELD |
| 41 | V836864223 | 2 | LOCK RING |
| 42 | V836666199 | 1 | HEAT SHIELD |

8950HI TRACTOR (HITECH SERIES)
SPIMG-008-21-14



| Item | Part Number | Qty | Description Comments |
|------|-------------|-----|-------------------------|
| | V836666610 | 2 | ROCKER SHAFT ASM |
| 1 | V836666608 | 12 | ROCKER ARM |
| | | | . |
| 2 | V512861000 | 12 | NUT |
| | | | .. |
| | | | M10 |
| 4 | V836655899 | 4 | PLUG |
| | | | . |
| 3 | V836655866 | 12 | ADJUSTING SCREW |
| | | | .. |
| 5 | V836655869 | 6 | BRACKET |
| | | | . |
| 6 | V836655884 | 4 | SPRING |
| | | | . |
| 7 | V836655870 | 2 | SHAFT |
| | | | . |
| | | | D=23 |
| 8 | V836655406 | 4 | SLEEVE NUT |
| 9 | V529801910 | 2 | HEX CAP SCREW |
| 10 | V836655867 | 12 | PUSHROD |
| 11 | V836014264 | 12 | TAPPET |
| 12 | V836846376 | 1 | CAMSHAFT -L13187 (M) |
| | V836866054 | 1 | CAMSHAFT L13188-(M) |
| 13 | V603305760 | 1 | WOODRUFF KEY |
| 14 | V836647920 | 1 | GEAR,CAMSHAFT |
| 15 | V836646382 | 24 | COTTER |
| 16 | V836646381 | 12 | WASHER |
| 17 | V836646380 | 12 | SPRING |
| 18 | V836646357 | 6 | EXHAUST VALVE |
| 19 | V836646356 | 6 | INTAKE VALVE |

8950HI TRACTOR (HITECH SERIES)
SPIMG-008-21-18



| Item | Part Number | Qty | Description Comments | Technical Specification |
|------|-------------|-----|--|-------------------------|
| 1 | V836852281 | 1 | CRANKSHAFT | |
| 2 | V603345110 | 1 | KEY | |
| 3 | V836840596 | 6 | PISTON | |
| 4 | NS | 6 | NON-SERVICEABLE PART | |
| 5 | NS | 12 | PISTON PIN NON-SERVICEABLE PART | |
| 6 | V836640078 | 6 | CIRCLIP PISTON RING KIT | |
| 7 | V836647460 | 6 | CONROD 2150-2169 G X -L12543 (M) | |
| | V836652104 | | CONROD 2170-2189 G A -L12543 (M) | |
| | V836652105 | | CONROD 2190-2209 G B -L12543 (M) | |
| | V836652106 | | CONROD 2210-2229 G C -L12543 (M) | |
| | V836652107 | | CONROD 2230-2249 G D -L12543 (M) | |
| | V836652108 | | CONROD 2250-2269 G E -L12543 (M) | |
| | V836652109 | | CONROD 2270-2289 G H -L12543 (M) | |
| | V836652110 | | CONROD 2290-2309 G I -L12543 (M) | |
| | V836652111 | | CONROD 2310-2329 G J -L12543 (M) | |
| | V836652112 | | CONROD 2330-2349 G K -L12543 (M) | |
| | V836652113 | | CONROD 2350-2369 G L -L12543 (M) | |
| | V836652114 | | CONROD 2370-2389 G M -L12543 (M) | |
| | V836652115 | | CONROD 2390-2409 G N -L12543 (M) | |
| | V836652116 | | CONROD 2410-2429 G O -L12543 (M) | |
| | V836652117 | | CONROD 2430-2449 G P -L12543 (M) | |
| | V836652118 | | CONROD 2450-2469 G R -L12543 (M) | |
| | V836652119 | | CONROD 2470-2489 G S -L12543 (M) | |
| | V836652120 | | CONROD 2490-2509 G T -L12543 (M) | |

| Item | Part Number | Qty | Description Comments | Technical Specification |
|------|-------------|-----|---|-------------------------|
| | V836652121 | | CONROD 2510-2529 G U -L12543 (M) | |
| | V836840928 | 1 | CONNECTING ROD KIT INCLUDES: REF. 30-32 L12544-(M) | |
| 30 | NS | | NON-SERVICEABLE PART CONNECTING ROD 1935-1954 G F L12544-(M) | |
| | NS | | NON-SERVICEABLE PART CONNECTING ROD 1955-1974 G V L12544-(M) | |
| | NS | | NON-SERVICEABLE PART CONNECTING ROD 1975-1994 G X L12544-(M) | |
| | NS | | NON-SERVICEABLE PART CONNECTING ROD 1995-2014 G Y L12544-(M) | |
| | NS | | NON-SERVICEABLE PART CONNECTING ROD 2015-2034 G W L12544-(M) | |
| | NS | | NON-SERVICEABLE PART CONNECTING ROD 2035-2054 G Z L12544-(M) | |
| | NS | | NON-SERVICEABLE PART CONNECTING ROD 2055-2074 G G L12544-(M) | |
| 8 | V836646204 | 12 | CONNECTING ROD BOLT . -L12543(M) | |
| 31 | V836864141 | 8 | CONNECTING ROD BOLT . L12544-(M) | |
| 9 | V836646205 | 12 | NUT . -L12543(M) | |
| 10 | V836646271 | 6 | BEARING BUSH . -L12543(M) | |
| 32 | V836110646 | 4 | BEARING BUSH . L12544-(M) | STD |
| 11 | V836110552 | 6 | BEARING SHELL SEE PAGE 01-0030 | |
| 12 | V836655514 | 7 | MAIN BEARING SEE PAGE 01-0030 | |
| 13 | V836119459 | 2 | THRUST WASHER SEE PAGE 01-0030 | |
| 14 | V836119550 | 1 | GEAR,CRANKSHAFT | |
| 15 | V836122840 | 1 | GEAR,CRANKSHAFT | |
| 16 | V836122732 | 1 | RING | |
| 17 | V836136271 | 1 | SHIELD | |
| 19 | V595953360 | 1 | PIN | |
| 24 | V836322586 | 1 | CRANKSHAFT HUB | |
| 25 | V836340689 | 1 | CRANKSHAFT VIBRATION DAMPENER | |
| 26 | V836355025 | 1 | CRANKSHAFT V-BELT PULLEY | |
| 27 | V836847641 | 1 | CRANKSHAFT NUT | |
| 28 | V577804620 | 3 | HEX SOCKET SCREW | |

Valtra

8950HI TRACTOR (HITECH SERIES)

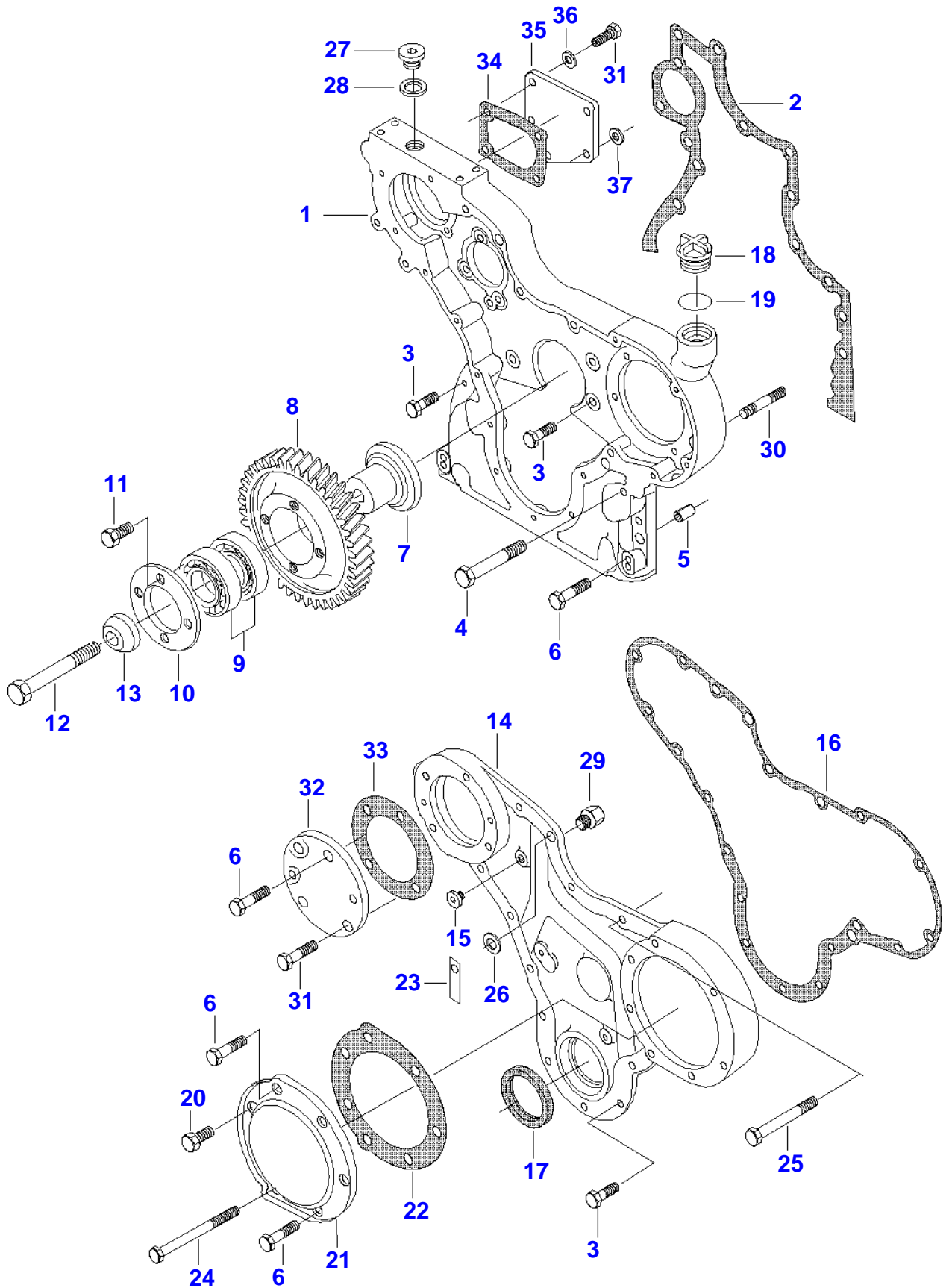
VFH8950

CRANK MECHANISM

Page01-0005

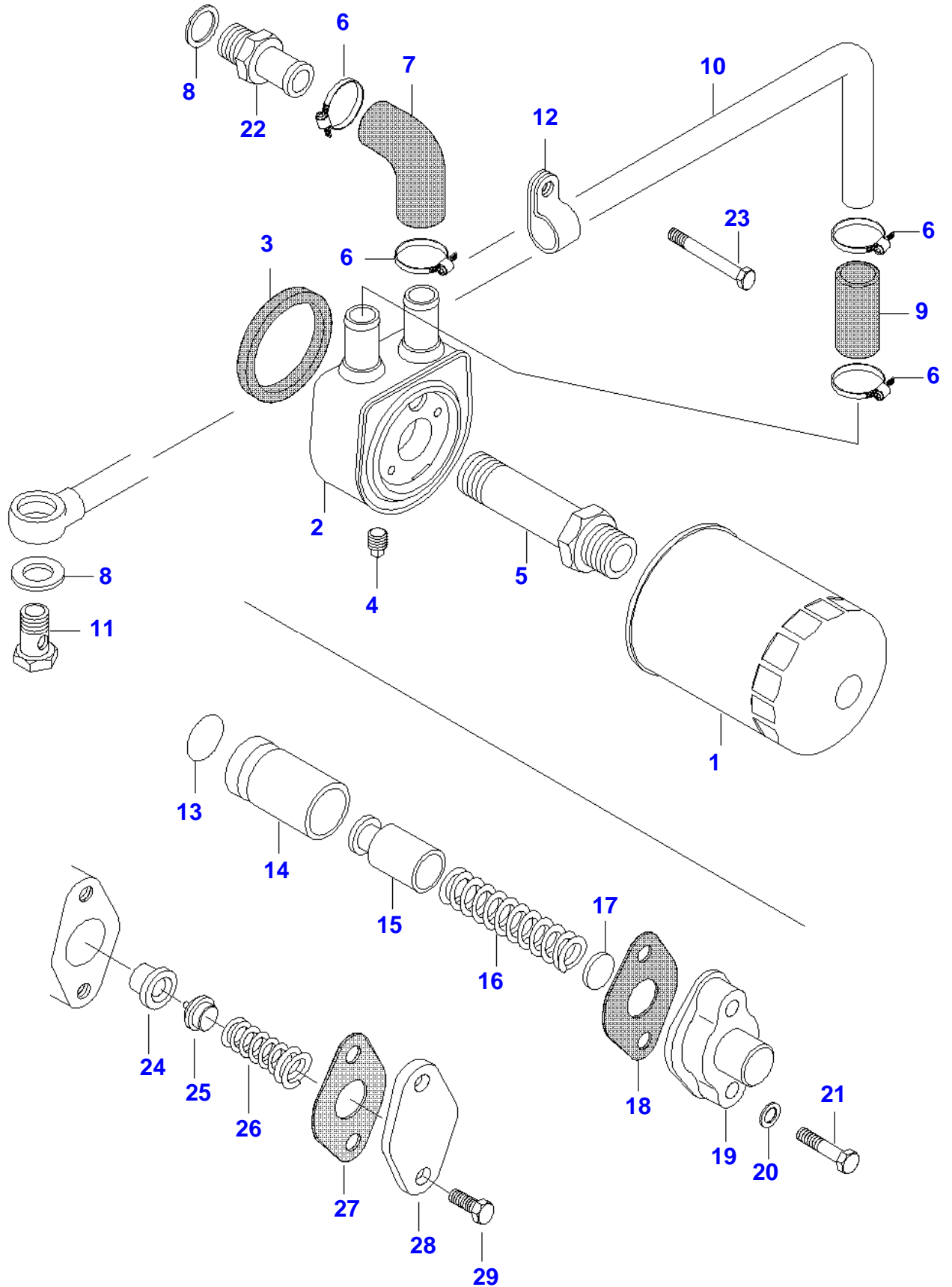
| Item | Part Number | Qty | Description Comments | Technical Specification |
|------|-------------|-----|-------------------------|-------------------------|
| 29 | V581804640 | 6 | HEX SOCKET SCREW | |
| 33 | V836852082 | 1 | PLUG | |

8950HI TRACTOR (HITECH SERIES)
SPIMG-008-21-22



| Item | Part Number | Qty | Description Comments |
|------|-------------|-----|--------------------------|
| 1 | V836859958 | 1 | TIMING GEAR CASE |
| 2 | V836647419 | 1 | GASKET S2 |
| 3 | V528801400 | 12 | HEX CAP SCREW |
| 4 | V529801480 | 1 | HEX CAP SCREW |
| 5 | V598359850 | 4 | PIN |
| 6 | V529801440 | 8 | HEX CAP SCREW |
| | V836647946 | 1 | IDLER GEAR ASSEMBLY |
| 7 | V836647937 | 1 | SHAFT |
| 8 | V836122756 | 1 | IDLER GEAR |
| 9 | V610071079 | 1 | BALL BEARING |
| 10 | V836122759 | 1 | RING |
| 11 | V528801360 | 4 | HEX CAP SCREW |
| 12 | V529902720 | 1 | HEX CAP SCREW |
| 13 | V836122758 | 1 | FLANGE |
| 14 | V836117328 | 1 | GEAR HOUSING FRONT COVER |
| 15 | V588204963 | 1 | HEX SOCKET SCREW |
| 16 | V836117329 | 1 | GASKET S2 |
| 17 | V614105880 | 1 | OIL SEAL S2 |
| 18 | V836017927 | 1 | CAP |
| 19 | V614603540 | 1 | O-RING |
| 20 | V528801360 | 2 | HEX CAP SCREW |
| 21 | V836120144 | 1 | COVER |
| 22 | V836112272 | 1 | GASKET S2 |
| 23 | V836083428 | 1 | CABLE TIE |
| 24 | V529801550 | 1 | HEX CAP SCREW |
| 25 | V529801500 | 4 | HEX CAP SCREW |
| 26 | V836120989 | 1 | WASHER |
| 27 | V640325018 | 1 | PLUG |
| 28 | V615881822 | 1 | SEALING WASHER S2 |
| 29 | V836647774 | 1 | RESTRICTOR |
| 30 | V546801860 | 3 | STUD BOLT |
| 31 | V528801380 | 5 | HEX CAP SCREW |
| 32 | V836117337 | 1 | COVER |
| 33 | V836117338 | 1 | GASKET S2 |
| 34 | V836022077 | 1 | GASKET S2 |
| 35 | V836859957 | 1 | ALTERNATOR BRACKET |
| 36 | V500950800 | 3 | SPRING WASHER |
| 37 | V836015967 | 1 | SEALING WASHER |

8950HI TRACTOR (HITECH SERIES)
SPIMG-008-21-28



| Item | Part Number | Qty | Description Comments |
|------|-------------|-----|--|
| 1 | V836662580 | 1 | ENGINE OIL FILTER |
| 2 | V836859699 | 1 | OIL COOLER |
| 3 | V836862235 | 1 | SEAL |
| 4 | V836131366 | 1 | PLUG |
| 5 | V836859700 | 1 | UNION |
| 6 | V602079516 | 4 | HOSE CLIP |
| 7 | V836859899 | 1 | RUBBER ELBOW |
| 8 | V615881822 | 3 | SEALING WASHER S2 |
| 9 | V836129978 | 1 | RUBBER HOSE |
| 10 | V836847929 | 1 | PIPE |
| 11 | V640435015 | 1 | BANJO BOLT |
| 12 | V602060615 | 1 | RETAINER CLAMP |
| | V836840851 | 1 | OIL PRESSURE CONTROL VALVE -J14376(M) |
| 13 | V614601524 | 1 | O-RING |
| | | | S2 |
| 14 | V836117834 | 1 | CYLINDER |
| 15 | V836338850 | 1 | OIL PRESSURE CONTROL VALVE |
| 16 | V836655246 | 1 | SPRING |
| 17 | V836020290 | 1 | INJECTOR SHIM |
| 18 | V836322190 | 1 | GASKET |
| | | | S2 |
| 19 | V836129849 | 1 | COVER |
| 20 | V500950800 | 1 | SPRING WASHER |
| 21 | V528801420 | 2 | HEX CAP SCREW |
| 22 | V836119837 | 1 | HOSE COUPLER |
| 23 | V529801480 | 1 | HEX CAP SCREW |
| | V836662130 | 1 | OIL PRESSURE CONTROL VALVE J14377-(M) |
| 24 | V836659521 | 1 | VALVE SEAT |
| 25 | V836659522 | 1 | VALVE CONE |
| 26 | V836864056 | 1 | END |
| 27 | V836322190 | 1 | GASKET |
| | | | S2 |
| 28 | V836659524 | 1 | COVER |
| 29 | V528801380 | 2 | HEX CAP SCREW |
| | | | M8 X 20 |



Suggest:

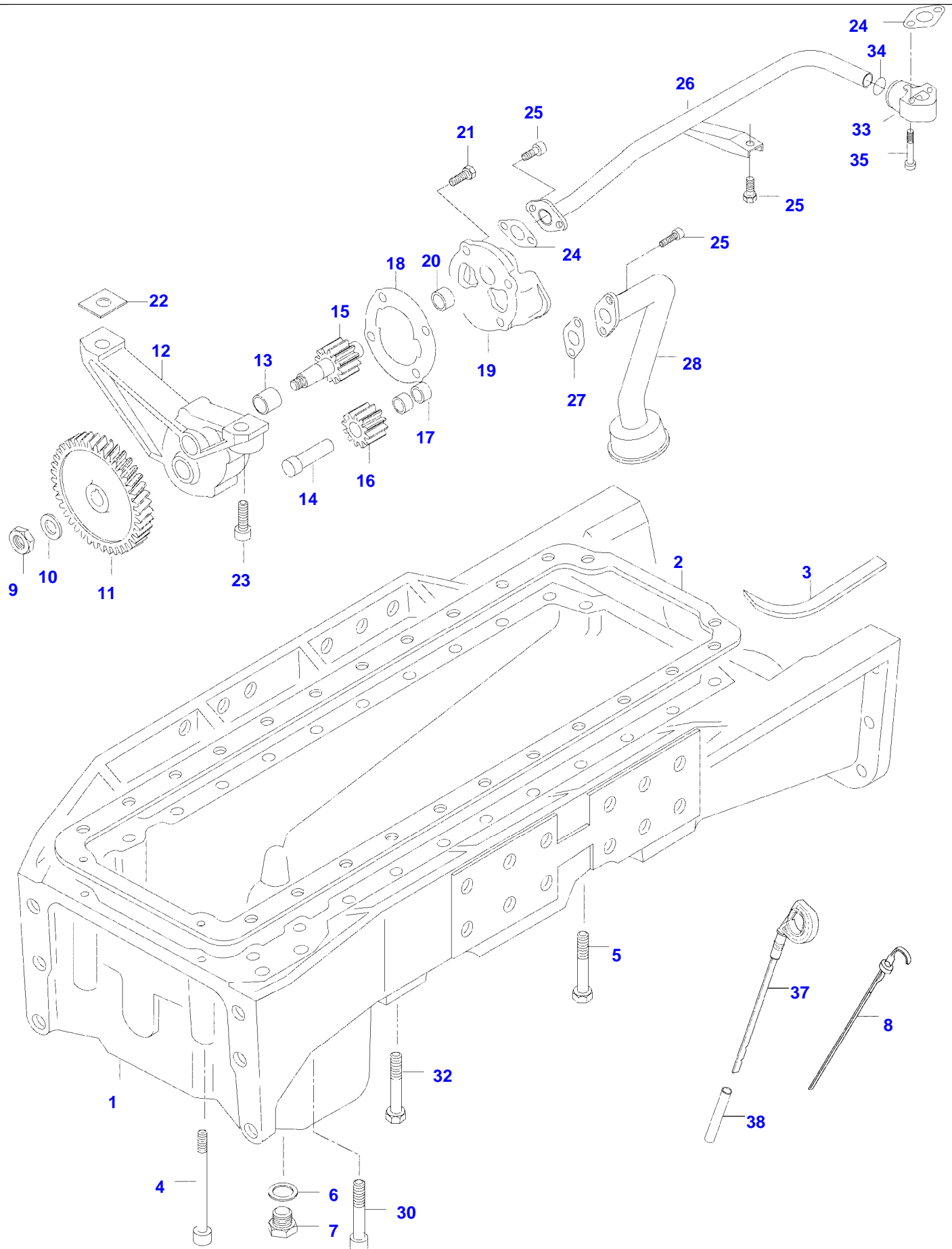
For more complete manuals. Please go to the home page.

<https://www.ebooklibonline.com>

If the above button click is invalid. Please download this document first, and then click the above link to download the complete manual.

Thank you so much for reading

8950HI TRACTOR (HITECH SERIES)
SPIMG-008-21-32



| Item | Part Number | Qty | Description Comments |
|------|-------------|-----|--------------------------------|
| 1 | V836847762 | 1 | OIL SUMP |
| 2 | V836322183 | 1 | OIL SUMP GASKET S2 |
| | VUK0177 | 1 | GASKET SEALPASTE |
| 3 | V836129727 | 2 | GASKET S2 |
| 4 | V581704830 | 2 | HEX SOCKET SCREW M8X160 |
| 5 | V581705130 | 20 | HEX SOCKET SCREW M10X80 |
| 6 | V615881827 | 1 | SEALING WASHER S2 |
| 7 | V836655493 | 1 | PLUG M18 |
| 8 | V836847652 | 1 | DIPSTICK -XX |
| 37 | V836666908 | 1 | DIPSTICK ORANGE XX- |
| 38 | V836666910 | 1 | OIL DIPSTICK GUIDE PIPE XX- |
| | V836855300 | 1 | LUBRICATING OIL PUMP |
| 9 | V504861000 | 1 | NUT |
| 10 | V836122910 | 1 | WASHER |
| 11 | V836338667 | 1 | GEAR |
| 12 | V836338186 | 1 | FRAME |
| 13 | V836322909 | 1 | BUSHING |
| 14 | V836322906 | 1 | OIL PUMP SHAFT |
| 15 | V836338182 | 1 | OIL PUMP SHAFT |
| 16 | V836338180 | 1 | GEAR,OIL PUMP |
| 17 | V836322909 | 2 | BUSHING |
| 18 | V836338188 | 1 | GASKET S2 |
| 19 | V836855297 | 1 | COVER |
| 20 | V836322909 | 1 | BUSHING |
| 21 | V528801380 | 4 | HEX CAP SCREW |
| 22 | V836007871 | 2 | SHIM |
| 23 | V581805050 | 2 | HEX SOCKET SCREW |
| 24 | V836008449 | 2 | GASKET S2 |
| 25 | V581804600 | 8 | HEX SOCKET SCREW |
| 26 | V836866569 | 1 | OIL PIPE |
| 27 | V836338201 | 1 | GASKET S2 |
| 28 | V836859673 | 1 | OIL PUMP SUCTION PIPE |
| 30 | V581706350 | 4 | HEX SOCKET SCREW M16X90 |
| 32 | V529902020 | 4 | HEX CAP SCREW M10X170 |
| 33 | V836866563 | 1 | ADAPTER FLANGE |
| 34 | V614702230 | 1 | O-RING |
| 35 | V581804680 | 2 | HEX SOCKET SCREW |

<https://www.ebooklibonline.com>

Hello dear friend!

Thank you very much for reading.

Enter the link into your browser.

The full manual is available for immediate download.

<https://www.ebooklibonline.com>