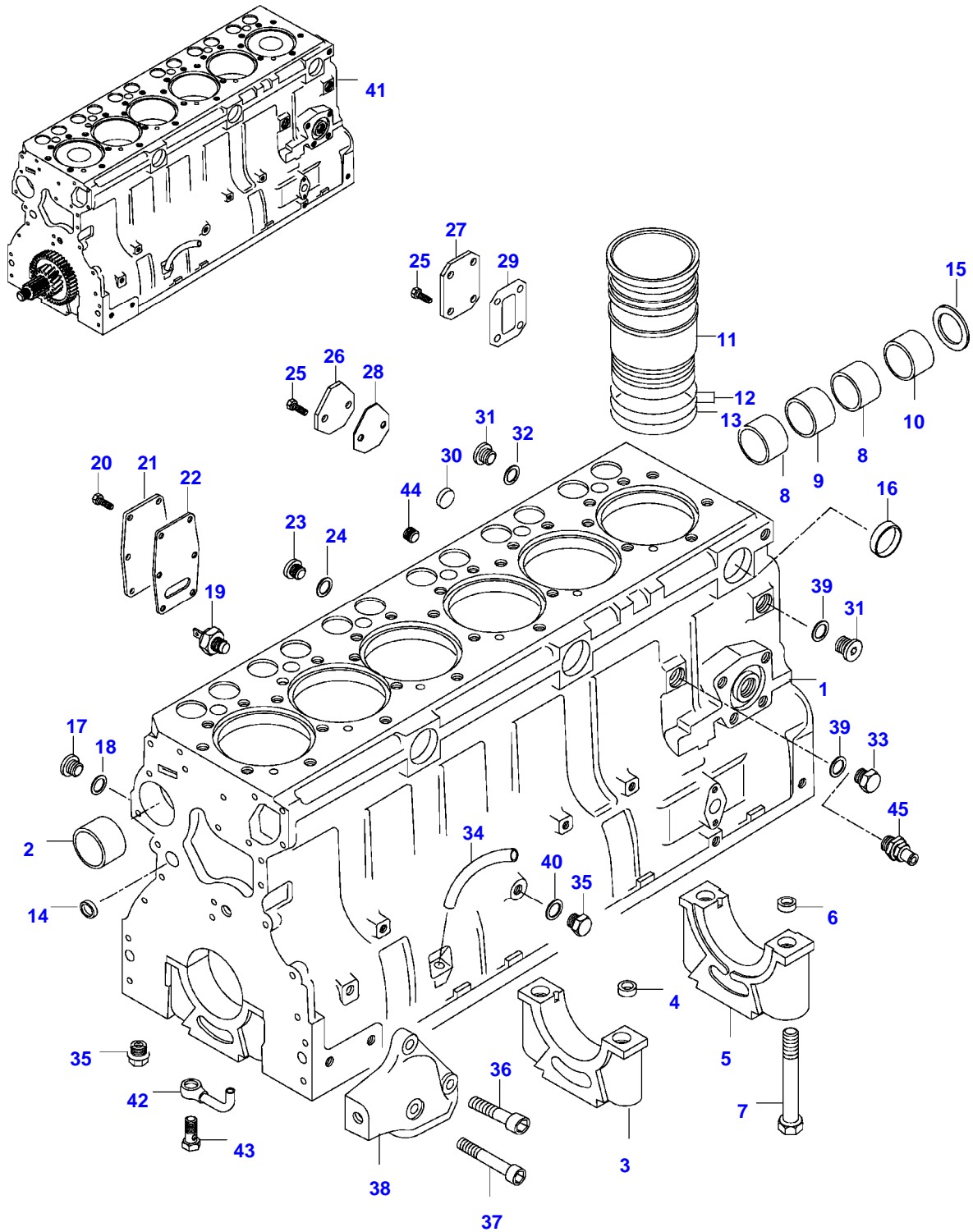


| Page Number | Page Title | Page Reference |
|--------------------|-------------------------------------|-----------------------|
| 01-000-TOC | ENGINE, FUEL AND EXHAUST SYSTEM | 01-000-TOC |
| 02-000-TOC | AXLES | 02-000-TOC |
| 03-000-TOC | STEERING SYSTEM | 03-000-TOC |
| 04-000-TOC | DRIVE TRAIN SYSTEM | 04-000-TOC |
| 05-000-TOC | BRAKE SYSTEM | 05-000-TOC |
| 06-000-TOC | COMPRESSED AIR SYSTEM | 06-000-TOC |
| 07-000-TOC | HYDRAULIC SYSTEM | 07-000-TOC |
| 08-000-TOC | ELECTRICAL SYSTEM | 08-000-TOC |
| 09-000-TOC | CAB | 09-000-TOC |
| 10-000-TOC | AIR CONDITIONING AND HEATING SYSTEM | 10-000-TOC |
| 11-000-TOC | CHASSIS | 11-000-TOC |
| 12-000-TOC | DECALS | 12-000-TOC |
| 13-000-TOC | WHEELS | 13-000-TOC |
| 14-000-TOC | IMPLEMENT DRIVE SYSTEM | 14-000-TOC |
| 15-000-TOC | IMPLEMENT LIFT SYSTEM FRONT | 15-000-TOC |
| 16-000-TOC | IMPLEMENT LIFT SYSTEM REAR | 16-000-TOC |
| 17-000-TOC | PRECISION FARMING SYSTEMS | 17-000-TOC |
| 18-000-TOC | ATTACHMENTS | 18-000-TOC |
| 19-000-TOC | GENERAL INFORMATION | 19-000-TOC |

| Page Number | Page Title | Page Reference |
|-------------|------------------------------------|----------------|
| 01-0001 | CYLINDERBLOCK | 21-06 |
| 01-0002 | FLYWHEEL AND HOUSING | 21-10 |
| 01-0003 | CYLINDER HEAD | 21-18 |
| 01-0004 | VALVE MECHANISM | 21-24 |
| 01-0005 | CRANK MECHANISM | 21-30 |
| 01-0006 | GEAR HOUSING | 21-32 |
| 01-0007 | OIL FILTER | 21-36 |
| 01-0008 | OIL SUMP | 21-42 |
| | -L10226-(M) | |
| 01-0009 | OIL SUMP | 21-44 |
| | L10226-(M) | |
| 01-0010 | AIR CLEANER | 21-52 |
| | -668117 | |
| 01-0011 | AIR CLEANER | 21-54 |
| | 668118- | |
| 01-0012 | INTAKE- AND EXHAUST PIPE | 21-62 |
| | -L10225(M) | |
| 01-0013 | INTAKE- AND EXHAUST PIPE | 21-62A |
| | L10226-(M) | |
| 01-0014 | MUFFLER | 21-64 |
| | -L24100 | |
| 01-0015 | MUFFLER | 21-66 |
| | L24101- | |
| 01-0016 | TURBOCHARGER | 21-74 |
| 01-0017 | COLD-STARTING DEVICE | 21-80 |
| | -F3825(M) | |
| 01-0018 | COLD-STARTING DEVICE | 21-82 |
| | F3826-(M) | |
| 01-0019 | FEED PUMP | 22-04 |
| 01-0020 | FUEL FILTER | 22-14 |
| 01-0021 | FUEL PIPES | 22-30 |
| 01-0022 | INJECTION PUMP | 22-38 |
| | -L10225(M) | |
| 01-0023 | SPEED LEVERS | 22-50 |
| 01-0024 | RADIATOR | 23-02 |
| 01-0025 | COOLANT PUMP | 23-14 |
| | -L10225(M) | |
| 01-0026 | COOLANT PUMP | 23-18 |
| | L10226-(M) | |
| 01-0027 | STARTERMOTOR | 31-02 |
| 01-0028 | STARTERMOTOR | 31-04 |
| 01-0029 | ALTERNATOR | 31-10 |
| | -G13500(M) | |
| 01-0030 | ALTERNATOR | 31-12 |
| | G13501-(M) | |
| 01-0031 | ALTERNATOR | 31-14 |
| | G13501(M)-L10225(M) | |
| 01-0032 | ALTERNATOR | 31-14A |
| | L10226-(M) | |
| 01-0033 | GASKET SETS | 28-06 |
| 01-0034 | GASKET SETS | 28-12 |
| 01-0035 | ENGINE REPAIR KIT AND BEARING | 28-16 |
| 01-0036 | ADJUSTING PLATE FOR INJECTOR | 28-18 |
| 01-0037 | PREFILTER (OPTIONAL EQUIPMENT) | 29-02 |
| 01-0038 | ELECTRIC STOP (OPTIONAL EQUIPMENT) | 39-34 |
| 01-0039 | ENGINE HEATER (OPTIONAL EQUIPMENT) | 39-04 |

8400E TRACTOR (MEGA SERIES)
SPIMG-006-21-06



<https://www.ebooklibonline.com>

Hello dear friend!

Thank you very much for reading.

Enter the link into your browser.

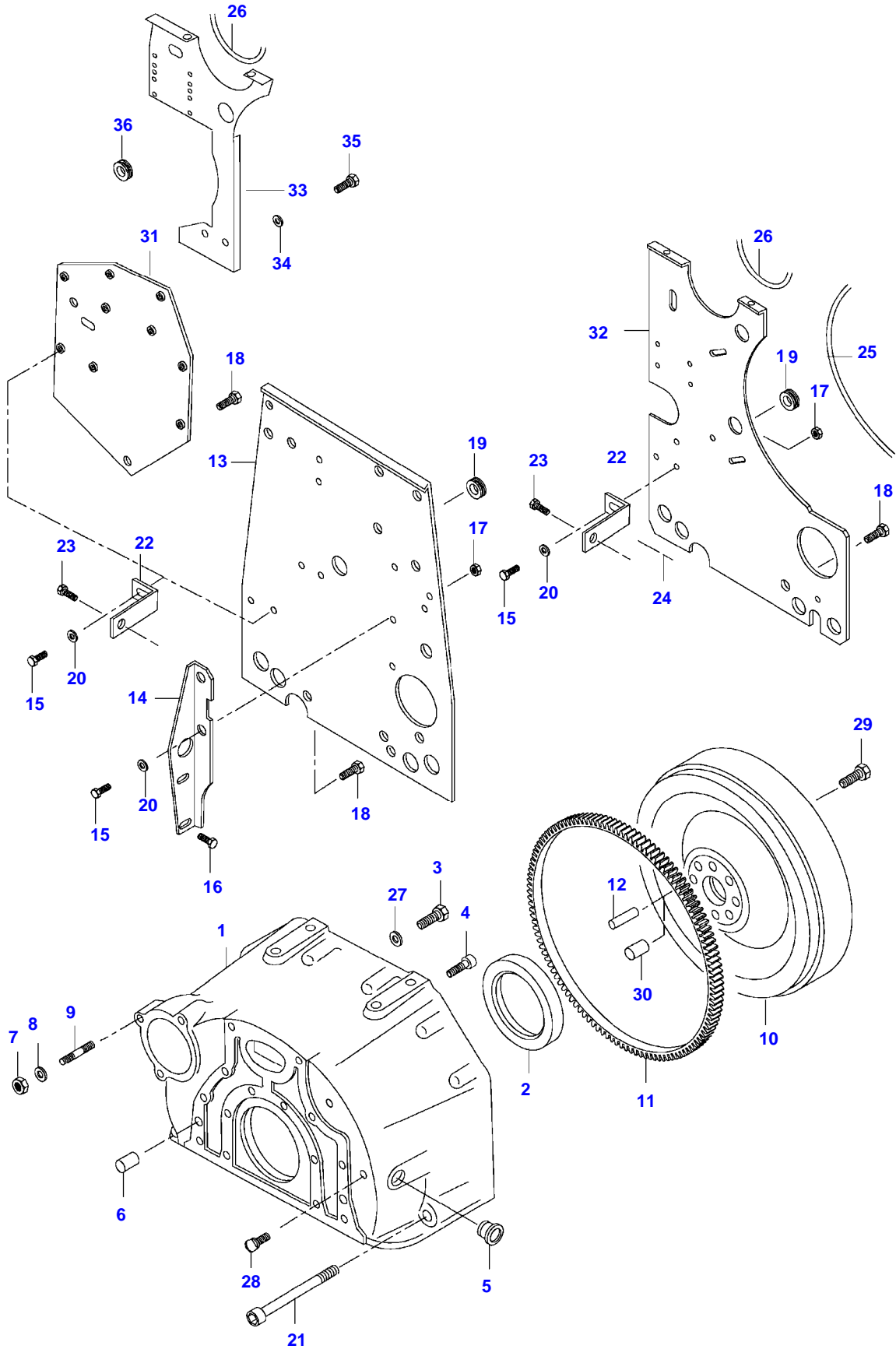
The full manual is available for immediate download.

<https://www.ebooklibonline.com>

| Item | Part Number | Qty | Description Comments |
|------|-------------|-----|---------------------------------------|
| 1 | V836866110 | 1 | CYLINDER BLOCK |
| 2 | V836866069 | 1 | CAMSHAFT BEARING BUSHING |
| 3 | NS | 6 | NON-SERVICEABLE PART |
| 4 | V836214478 | 12 | BEARING COVER GUIDE SLEEVE |
| 5 | NS | 1 | NON-SERVICEABLE PART |
| 6 | V836214478 | 2 | BEARING COVER GUIDE SLEEVE |
| 7 | V835329030 | 14 | HEX CAP SCREW |
| 8 | V836852460 | 2 | CAMSHAFT BEARING BUSHING |
| 9 | V836852459 | 1 | C2751-(M) CAMSHAFT BEARING BUSHING |
| 10 | V836852461 | 1 | C2751-(M) CAMSHAFT BEARING BUSHING |
| 11 | V836666990 | 6 | C2751-(M) LINER |
| 12 | V836647502 | 12 | CYLINDER LINER O-RING S2 |
| 13 | V836647503 | 6 | CYLINDER LINER O-RING S2 |
| 14 | V640016016 | 4 | CUP PLUG S2 |
| 15 | V836529872 | 1 | PLUG -C2751(M) |
| | V836852744 | 1 | PLUG C2751-(M) |
| 16 | V640016040 | 2 | CUP PLUG |
| 17 | V640325110 | 3 | SCREW PLUG |
| 18 | V615571014 | 3 | SEALING WASHER S2 |
| 19 | V887283760 | 1 | PRESSURE SWITCH |
| 20 | V528801380 | 6 | HEX CAP SCREW |
| 21 | V836847994 | 1 | FLANGE |
| 22 | V836322852 | 1 | GASKET 2S |
| 24 | V615881620 | 1 | SEALING WASHER S2 |
| 25 | V528801362 | 2 | HEX CAP SCREW -H3774(M) |
| | V528801362 | 4 | HEX CAP SCREW H3774-(M) |
| 26 | V836647400 | 1 | COVER H3774-(M) |
| 28 | V836647401 | 1 | GASKET H3774-(M) S2 |
| 30 | V640016018 | 2 | CUP PLUG |
| 31 | V640325018 | 2 | PLUG |
| 32 | V615881822 | 3 | SEALING WASHER S2 |
| 33 | V836019756 | 1 | PLUG |
| 34 | V836129747 | 1 | OIL DIPSTICK GUIDE PIPE |
| 35 | V640305012 | 7 | PLUG |
| 36 | V581705850 | 4 | HEX SOCKET SCREW |
| 37 | V581705890 | 2 | HEX SOCKET SCREW |
| 38 | V836346012 | 1 | ENGINE MOUNT LEFT |

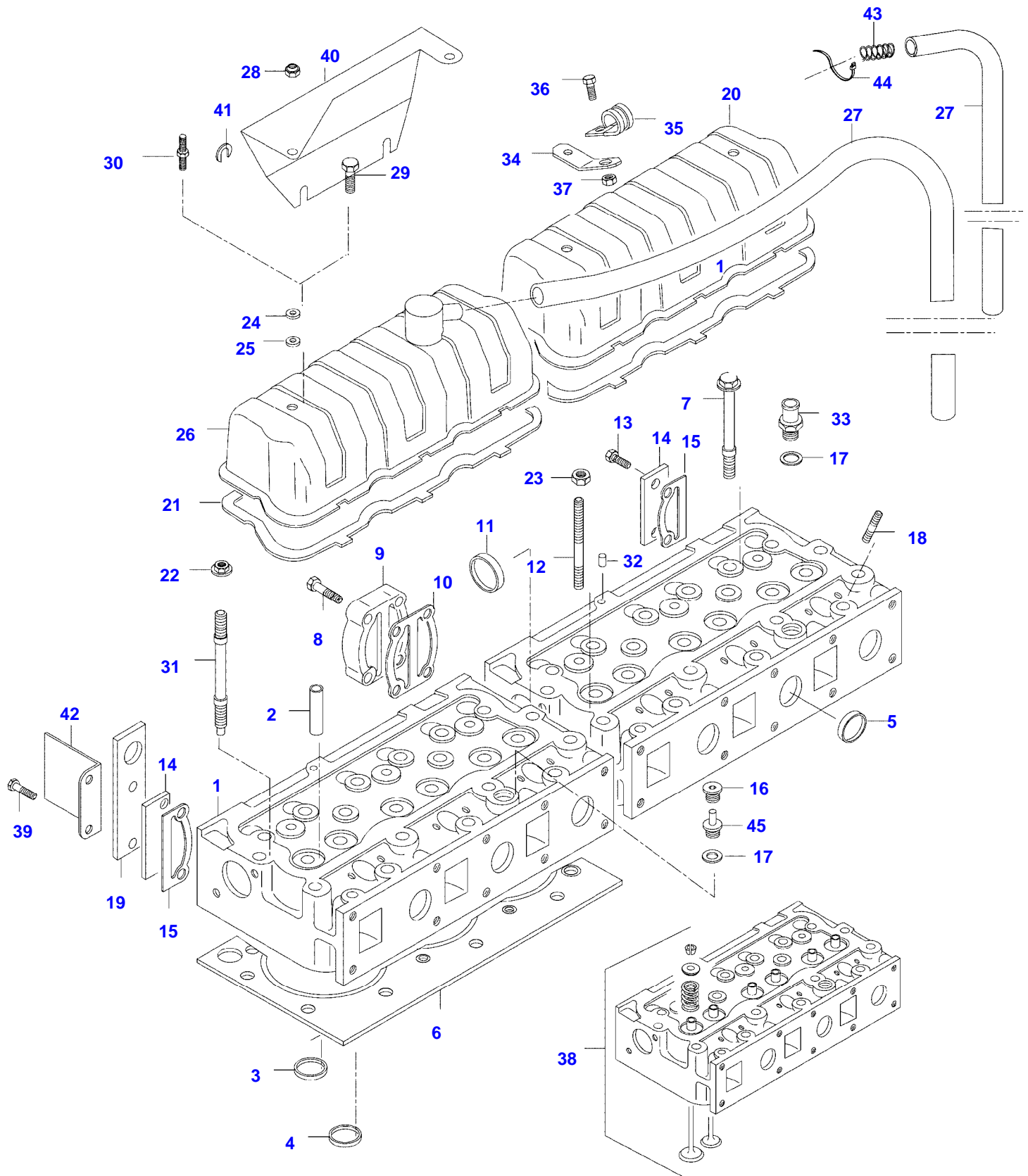
| Item | Part Number | Qty | Description Comments |
|------|-------------|-----|---|
| | V836346013 | 1 | ENGINE MOUNT RIGHT |
| 39 | V615881824 | 1 | SEALING WASHER S2 |
| 40 | V615881216 | 1 | SEALING WASHER S2 |
| 41 | V862760001 | 1 | REMANUFACTURED SHORT BLOCK ENGINE |
| 42 | V836846231 | 6 | PIPE C2747-(M) UNITED STATES OF AMERICA |
| 43 | V836338601 | 6 | PRESSURE VALVE C2747-(M) |
| 44 | V640025010 | 1 | PLUG |
| 45 | V836664377 | 1 | DRAIN VALVE |
| | V836840237 | 1 | ENGINE GASKET KIT S1 |
| | V836840238 | 1 | ENGINE GASKET KIT S1+S2 |

8400E TRACTOR (MEGA SERIES)
SPIMG-006-21-10



| Item | Part Number | Qty | Description Comments | Technical Specification |
|------|-------------|-----|-----------------------------------|--------------------------------|
| 1 | V836647439 | 1 | FLYWHEEL HOUSING | |
| 2 | V614500002 | 1 | CRANKSHAFT SEAL S2 | |
| 3 | V529702220 | 8 | HEX CAP SCREW | |
| 4 | V581705030 | 6 | HEX SOCKET SCREW | |
| 5 | V836007572 | 1 | RUBBER PLUG | |
| 6 | V598359850 | 2 | PIN | |
| 7 | V504601000 | 3 | NUT | |
| 8 | V500951000 | 3 | SPRING WASHER | |
| 9 | V546801800 | 3 | STUD BOLT | |
| 10 | V836859824 | 1 | FLYWHEEL 663387- | |
| 11 | V835328783 | 1 | STARTER RING | |
| 12 | V595955060 | 1 | PIN | |
| 13 | V836852248 | 1 | FLYWHEEL HOUSING | |
| | V836855878 | 1 | FLYWHEEL HOUSING G13501-(M) | |
| 14 | V836755364 | 1 | SUPPORT -E3726(M) | |
| 15 | V528801362 | 3 | HEX CAP SCREW | |
| 16 | V528801380 | 2 | HEX CAP SCREW | |
| | V528801780 | 2 | HEX CAP SCREW | |
| 17 | V504800800 | 2 | NUT | |
| 18 | V528802180 | 2 | HEX CAP SCREW | |
| 19 | V835338745 | 1 | RUBBER INLET | |
| 20 | V500150842 | 3 | WASHER | |
| 21 | VHC9784 | 2 | HEX SOCKET SCREW | M12 X 140 SFS_EN_ISO_4762 12.9 |
| 22 | V836755361 | 1 | SUPPORT | |
| 23 | V528801380 | 1 | HEX CAP SCREW | |
| | V528801800 | 1 | HEX CAP SCREW | |
| 24 | V32664900 | 1 | SHIELD | |
| 25 | V32604100 | 1 | BAND | |
| 26 | V32604200 | 1 | BAND | |
| 27 | V500951200 | 8 | SPRING WASHER | |
| 28 | V836859311 | 1 | PLUG | |
| 29 | V528702230 | 8 | HEX CAP SCREW | |
| | V529702250 | 8 | HEX CAP SCREW HYDRAULIC CLUTCH | |
| 30 | V836659527 | 1 | GUIDE SLEEVE H17163-(M) | |
| 31 | V836759798 | 1 | BRACKET J7034-(M) | |
| 32 | V836855513 | 1 | FLYWHEEL HOUSING E3979-(M) | |
| 33 | V34172400 | 1 | HOLDER | |
| 34 | VJD0408 | 2 | WASHER | M8 |
| 35 | VHA6322 | 2 | SCREW | M8 X 16 SFS_EN_ISO_4017 8.8 |
| 36 | ACV0799330 | 1 | GROMMET | |

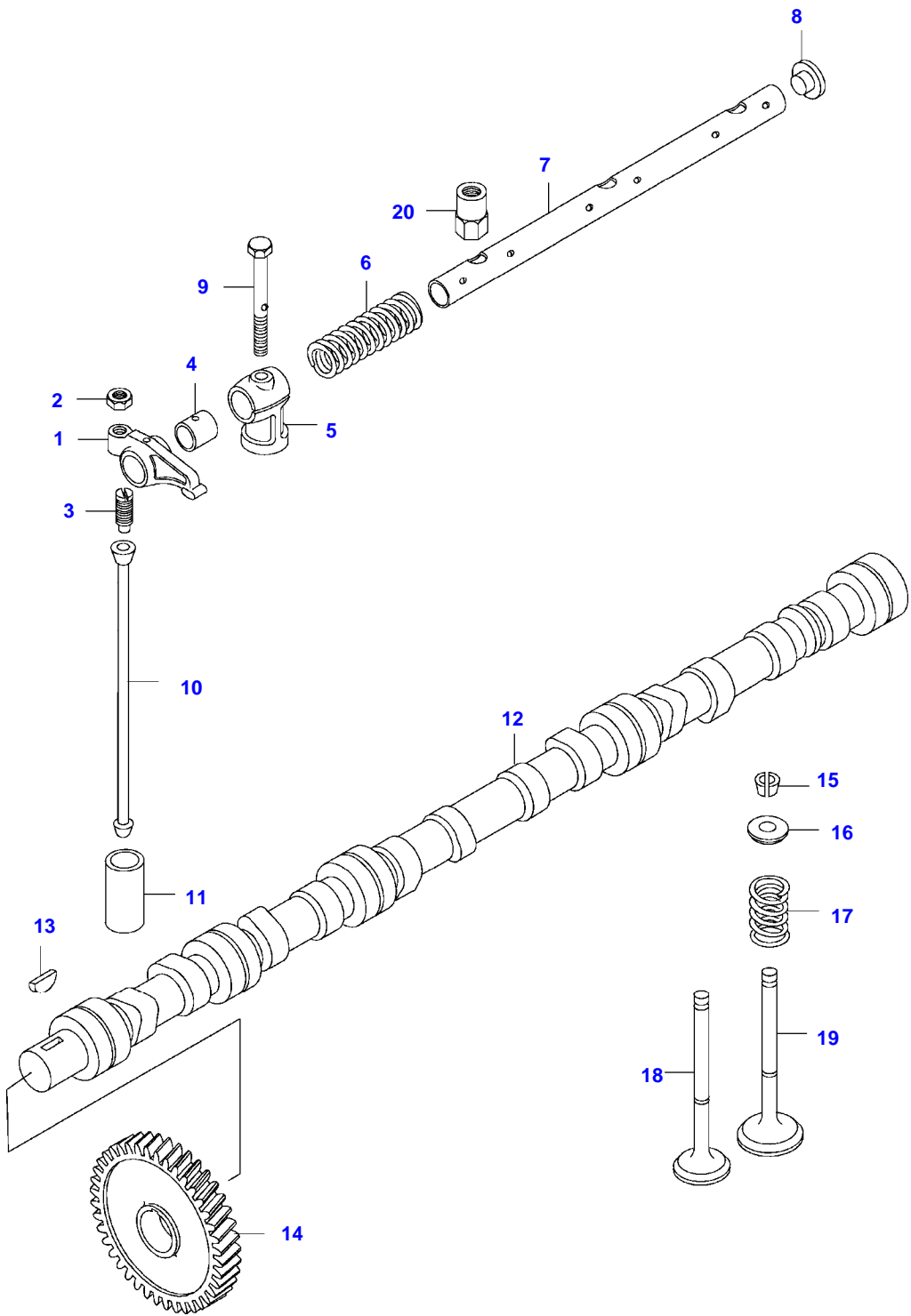
8400E TRACTOR (MEGA SERIES)
SPIMG-006-21-18



| Item | Part Number | Qty | Description Comments |
|------|-------------|-----|--|
| 1 | V836655379 | 2 | CYLINDER HEAD -L10225(M) |
| | V836855381 | 2 | CYLINDER HEAD L10226-(M) |
| 2 | V836647601 | 12 | GUIDE |
| 3 | V836647600 | 6 | VALVE SEAT . EXHAUST -L10225(M) |
| 4 | V836647936 | 6 | VALVE SEAT . INTAKE L10226-(M) |
| 5 | V836647942 | 10 | CUP PLUG |
| 6 | V836666302 | 2 | CYLINDER HEAD GASKET S1 |
| 7 | V836859104 | 32 | HEXAGON FLANGE BOLT |
| 8 | V528801420 | 4 | HEX CAP SCREW |
| | V529801830 | 4 | HEX CAP SCREW |
| 9 | V836855348 | 1 | CONNECTION FLANGE |
| 10 | V836866214 | 1 | GASKET S1 |
| 11 | V640016045 | 1 | CUP PLUG |
| 12 | V836652357 | 4 | STUD BOLT |
| | V546801900 | 4 | STUD BOLT F9355-(M) |
| 13 | V528801380 | 2 | HEX CAP SCREW |
| | V528801800 | 2 | HEX CAP SCREW |
| 14 | V836855350 | 2 | BLOCK OFF PLATE |
| 15 | V836866215 | 2 | GASKET S1 |
| 16 | V640325018 | 1 | PLUG |
| 45 | V836659058 | 1 | CONNECTOR E3979-(M) |
| 17 | V615881822 | 2 | SEALING WASHER S1 |
| 18 | V546901435 | 12 | STUD BOLT |
| 19 | V836855349 | 1 | LIFT EYE |
| | V836855349 | 2 | LIFT EYE E3979-(M) |
| 20 | V836846448 | 1 | VALVE ROCKER COVER |
| 21 | V836646360 | 2 | VALVE ROCKER COVER GASKET S1 |
| 22 | V836859110 | 2 | NUT |
| 23 | V504601000 | 4 | NUT -F9354(M) |
| | V836655406 | 4 | SLEEVE NUT F9355-(M) |
| 24 | V836119855 | 4 | WASHER |
| 25 | V836012841 | 4 | RUBBER BUSHING S1 |
| 26 | V836646359 | 1 | VALVE ROCKER COVER |
| 27 | V836647814 | 1 | RUBBER HOSE |
| 28 | V510601002 | 4 | NUT |
| 29 | V528801780 | 1 | HEX CAP SCREW F9355-(M) |
| 30 | V836659175 | 3 | STUD BOLT F9355-(M) |
| 31 | V836859109 | 2 | STUD BOLT |
| 32 | V595959140 | 2 | PIN |
| 33 | V836119837 | 1 | HOSE COUPLER |
| 34 | V836652567 | 1 | SUPPORT |
| 35 | V602074528 | 1 | HOSE CLIP |

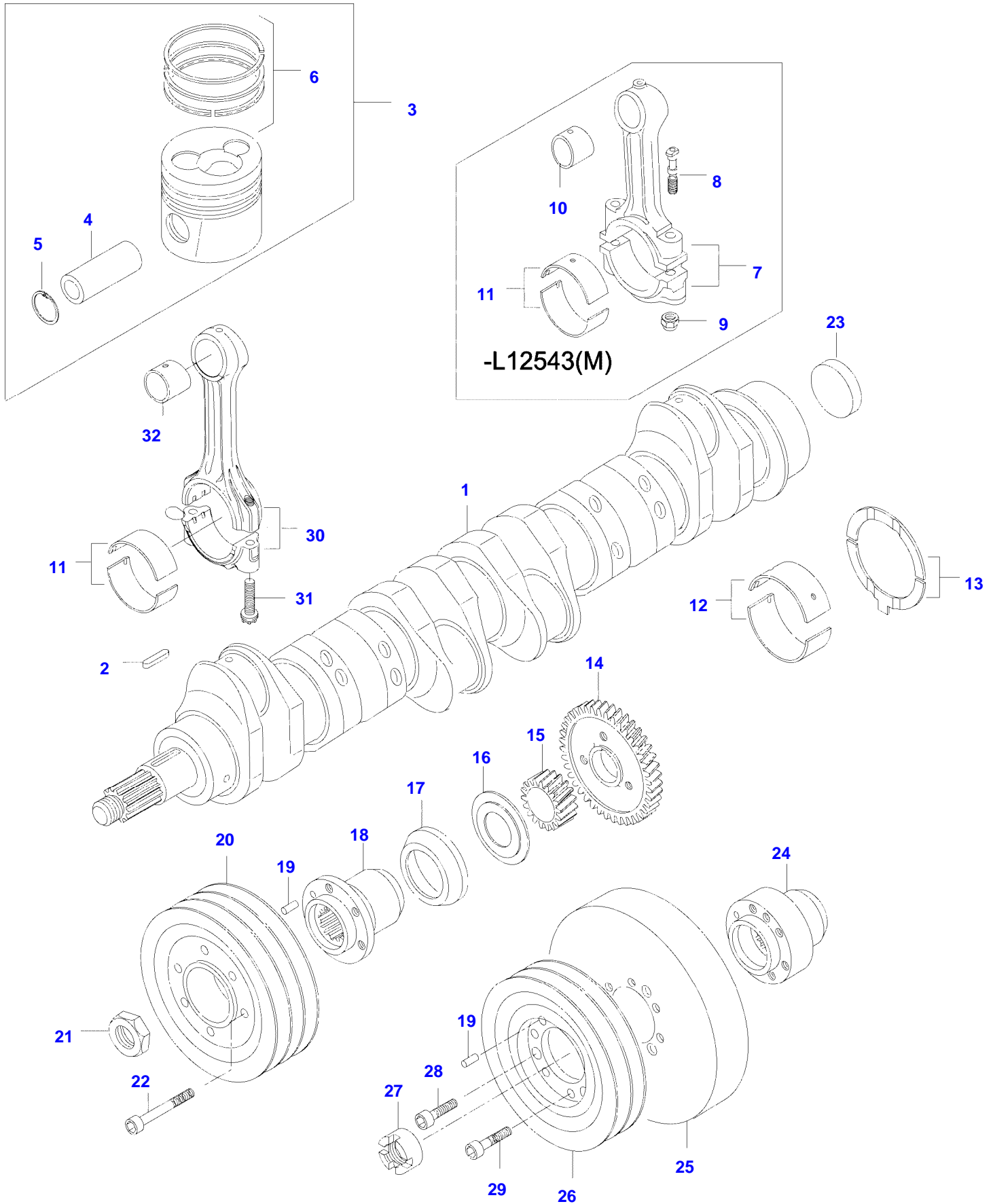
| Item | Part Number | Qty | Description Comments |
|------|-------------|-----|------------------------------|
| | V836659539 | 1 | CLAMP H13177-(M) |
| 36 | V528801362 | 1 | HEX CAP SCREW |
| 37 | V504800800 | 1 | NUT |
| 38 | V836640853 | 2 | CYLINDER HEAD -L10225(M) |
| | V836640897 | 2 | KIT, CYL. HEAD L10226-(M) |
| 39 | V528801820 | 2 | HEX CAP SCREW |
| | V528801380 | 2 | HEX CAP SCREW |
| 40 | V836859843 | 1 | HEAT SHIELD |
| 41 | V836864223 | 2 | LOCK RING |
| 42 | V836666199 | 1 | HEAT SHIELD L8223-(M) |

8400E TRACTOR (MEGA SERIES)
SPIMG-006-21-24



| Item | Part Number | Qty | Description Comments |
|------|-------------|-----|-------------------------------|
| | V836646332 | 2 | ROCKER SHAFT ASM -F9354(M) |
| 1 | V835328363 | 12 | ROCKER ARM |
| 2 | V504800800 | 12 | NUT |
| 3 | V836010106 | 12 | VALVE ROCKER ADJUSTMENT SCREW |
| 4 | V836006586 | 12 | BEARING |
| 5 | V836006580 | 6 | BRACKET |
| 6 | V836006582 | 4 | SPRING |
| 7 | V836646329 | 2 | SHAFT |
| 8 | V836655113 | 4 | PLUG |
| | V836666610 | 2 | ROCKER SHAFT ASM F9355-(M) |
| 1 | V836666608 | 12 | ROCKER ARM |
| 2 | V512861000 | 12 | NUT |
| 3 | V836655866 | 12 | ADJUSTING SCREW |
| 5 | V836655869 | 6 | BRACKET |
| 6 | V836655884 | 4 | SPRING |
| 7 | V836655870 | 2 | SHAFT |
| 8 | V836655899 | 4 | PLUG |
| 9 | V529801910 | 2 | HEX CAP SCREW |
| 10 | V836110237 | 12 | PUSHROD -F9354(M) |
| | V836655867 | 12 | PUSHROD F9355-(M) |
| 11 | V836014264 | 12 | TAPPET |
| 12 | V836846376 | 1 | CAMSHAFT -L13187(M) |
| | V836866054 | 1 | CAMSHAFT L13188-(M) |
| 13 | V603305760 | 1 | WOODRUFF KEY |
| 14 | V836646389 | 1 | GEAR,CAMSHAFT |
| 15 | V836646382 | 24 | COTTER |
| 16 | V836646381 | 12 | WASHER |
| 17 | V836646380 | 12 | SPRING |
| 18 | V836646357 | 6 | EXHAUST VALVE |
| 19 | V836646356 | 6 | INTAKE VALVE |
| 20 | V836655406 | 4 | SLEEVE NUT F9355-(M) |

8400E TRACTOR (MEGA SERIES)
SPIMG-006-21-30

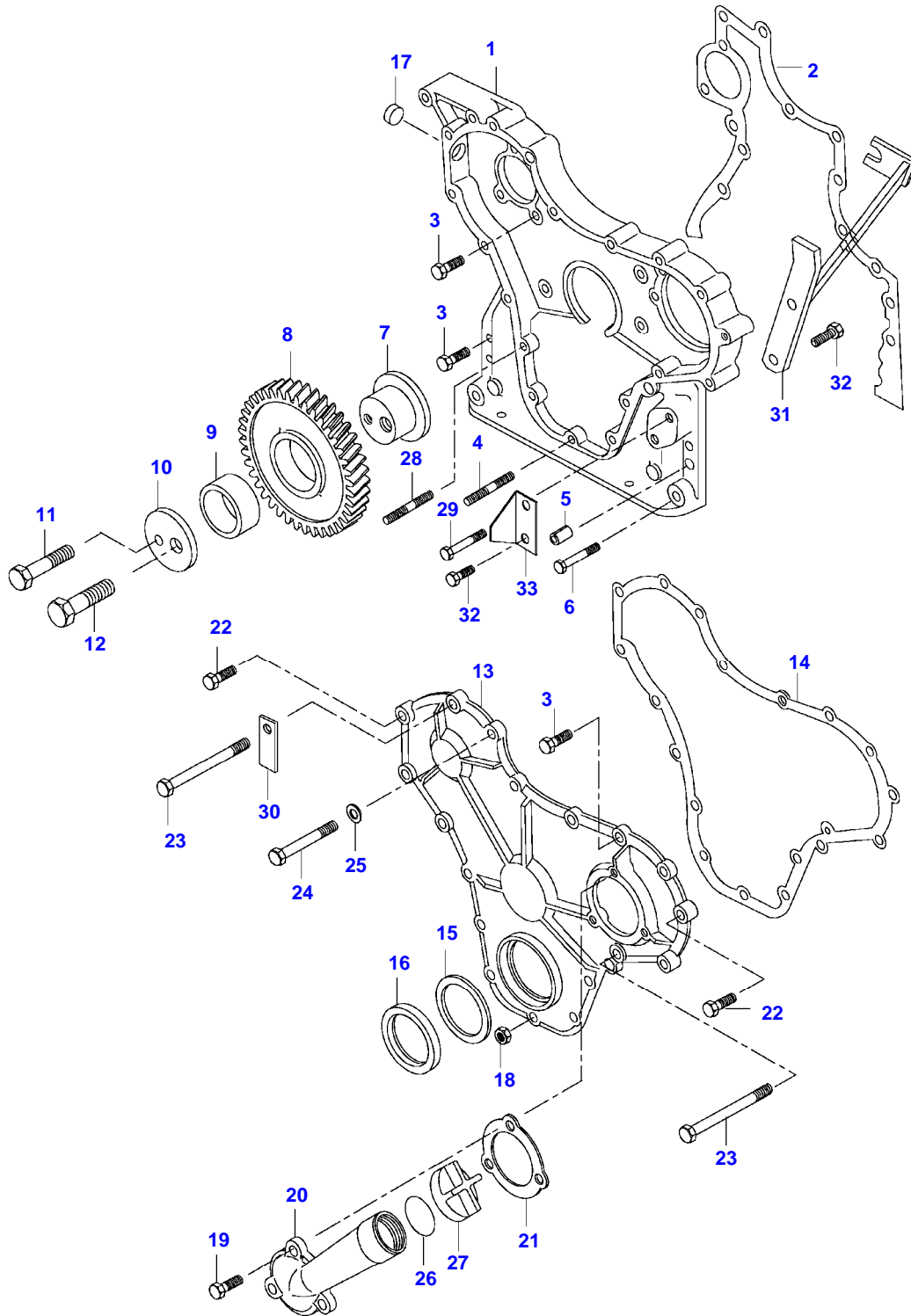


| Item | Part Number | Qty | Description Comments | Technical Specification |
|------|-------------|-----|---------------------------------------|-------------------------|
| 1 | V836847352 | 1 | CRANKSHAFT | |
| 2 | V603345110 | 1 | KEY | |
| 3 | V836640073 | 6 | PISTON | |
| 4 | NS | 6 | NON-SERVICEABLE PART | |
| 5 | NS | 12 | PISTON PIN NON-SERVICEABLE PART | |
| 6 | V836640078 | 6 | CIRCLIP PISTON RING KIT | |
| 7 | V836647460 | 6 | CONROD 2150-2169 G X -L12543(M) | |
| | V836652104 | | CONROD 2170-2189 G A -L12543(M) | |
| | V836652105 | | CONROD 2190-2209 G B -L12543(M) | |
| | V836652106 | | CONROD 2210-2229 G C -L12543(M) | |
| | V836652107 | | CONROD 2230-2249 G D -L12543(M) | |
| | V836652108 | | CONROD 2250-2269 G E -L12543(M) | |
| | V836652109 | | CONROD 2270-2289 G H -L12543(M) | |
| | V836652110 | | CONROD 2290-2309 G I -L12543(M) | |
| | V836652111 | | CONROD 2310-2329 G J -L12543(M) | |
| | V836652112 | | CONROD 2330-2349 G K -L12543(M) | |
| | V836652113 | | CONROD 2350-2369 G L -L12543(M) | |
| | V836652114 | | CONROD 2370-2389 G M -L12543(M) | |
| | V836652115 | | CONROD 2390-2409 G N -L12543(M) | |
| | V836652116 | | CONROD 2410-2429 G O -L12543(M) | |
| | V836652117 | | CONROD 2430-2449 G P -L12543(M) | |
| | V836652118 | | CONROD 2450-2469 G R -L12543(M) | |
| | V836652119 | | CONROD 2470-2489 G S -L12543(M) | |
| | V836652120 | | CONROD 2490-2509 G T -L12543(M) | |

| Item | Part Number | Qty | Description Comments | Technical Specification |
|------|-------------|-----|--|-------------------------|
| | V836652121 | | CONROD 2510-2529 G U -L12543(M) | |
| 30 | NS | | NON-SERVICEABLE PART CONNECTING ROD 1935-1954 G F L12544-(M) [A] | |
| | NS | | NON-SERVICEABLE PART CONNECTING ROD 1955-1974 G V L12544-(M) [A] | |
| | NS | | NON-SERVICEABLE PART CONNECTING ROD 1975-1994 G X L12544-(M) [A] | |
| | NS | | NON-SERVICEABLE PART CONNECTING ROD 1995-2014 G Y L12544-(M) [A] | |
| | NS | | NON-SERVICEABLE PART CONNECTING ROD 2015-2034 G W L12544-(M) [A] | |
| | NS | | NON-SERVICEABLE PART CONNECTING ROD 2055-2074 G G L12544-(M) [A] | |
| 8 | V836646204 | 12 | CONNECTING ROD BOLT . -L12543(M) | |
| 31 | V836864141 | 12 | CONNECTING ROD BOLT . L12544-(M) [A] | |
| 9 | V836646205 | 12 | NUT . -L12543(M) | |
| 10 | V836646271 | 6 | BEARING BUSH . -L12543(M) | |
| 32 | V836110646 | 6 | BEARING BUSH . L12544-(M) [A] | STD |
| 11 | V836110552 | 6 | BEARING SHELL SEE PAGE 01-0035 | |
| 12 | V836655514 | 7 | MAIN BEARING SEE PAGE 01-0035 | |
| 13 | V836119459 | 2 | THRUST WASHER SEE PAGE 01-0035 | |
| 14 | V836119550 | 1 | GEAR,CRANKSHAFT | |
| 15 | V836122840 | 1 | GEAR,CRANKSHAFT | |
| 16 | V836129781 | 1 | RING | |
| 17 | V836136271 | 1 | SHIELD | |
| 18 | V836846463 | 1 | CRANKSHAFT HUB | |
| 19 | V595953360 | 1 | PIN | |
| 20 | V836864290 | 1 | CRANKSHAFT V-BELT PULLEY DUAL GROOVE | |
| 21 | V836647310 | 1 | CRANKSHAFT NUT | |
| 22 | V581804680 | 6 | HEX SOCKET SCREW | |

| Item | Part Number | Qty | Description Comments | Technical Specification |
|------|-------------|-----|---|-------------------------|
| 23 | V836852082 | 1 | PLUG [A] V836840928 CONNECTING ROD SET L12544-(M), REF. 30, 31, 32 | |

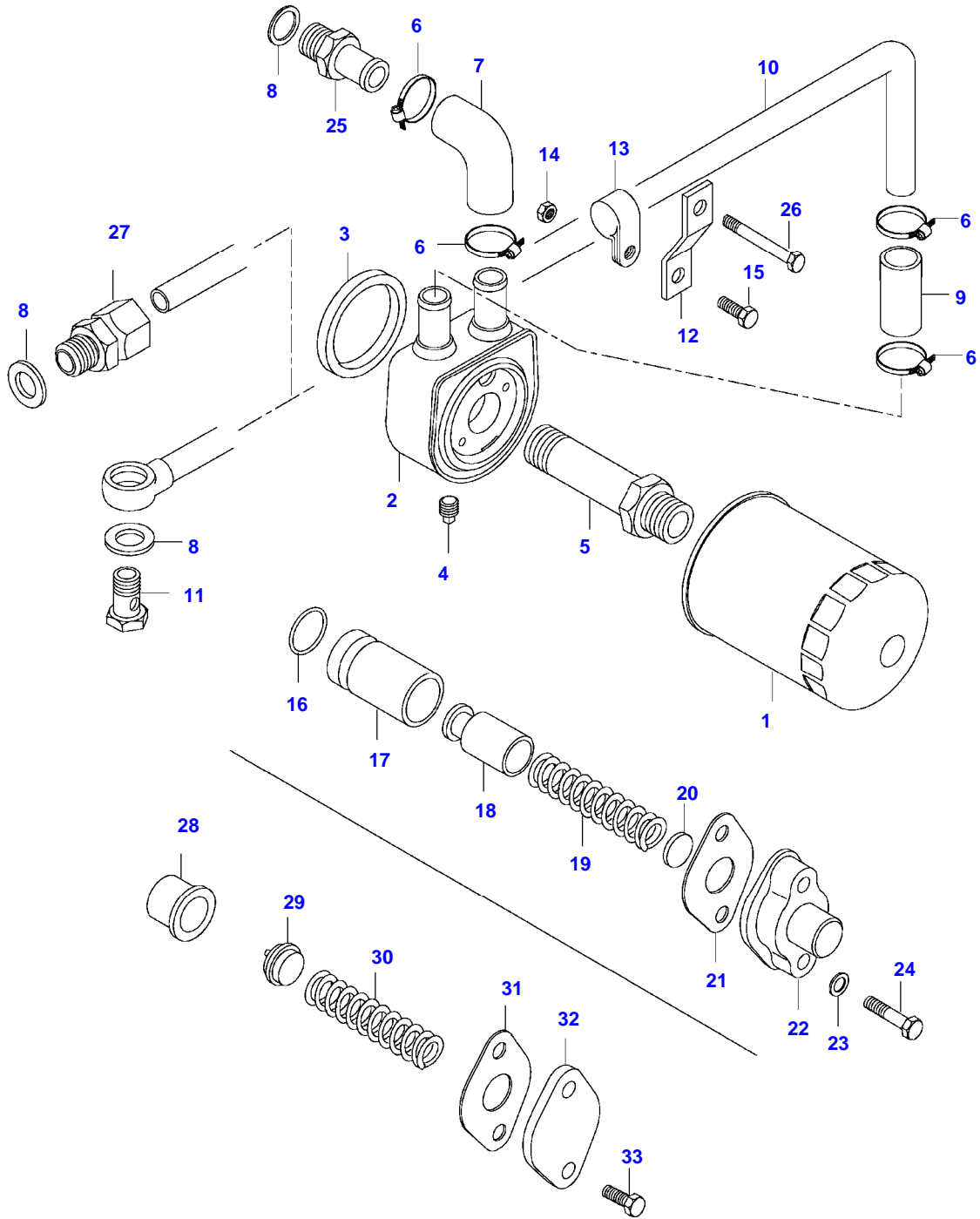
8400E TRACTOR (MEGA SERIES)
SPIMG-006-21-32-



| Item | Part Number | Qty | Description Comments |
|------|-------------|-----|--------------------------|
| 1 | V836647406 | 1 | TIMING GEAR CASE |
| 2 | V836647419 | 1 | GASKET S2 |
| 3 | V528801400 | 11 | HEX CAP SCREW |
| 4 | V546801380 | 4 | STUD BOLT |
| 5 | V598359850 | 4 | PIN |
| 6 | V529801440 | 2 | HEX CAP SCREW |
| 7 | V836129709 | 1 | SHAFT |
| 8 | V836129863 | 1 | IDLER GEAR |
| 9 | V836129844 | 1 | BEARING BUSH . |
| 10 | V836129845 | 1 | FLANGE |
| 11 | V528801860 | 1 | HEX CAP SCREW |
| 12 | V529902680 | 1 | HEX CAP SCREW |
| 13 | V836647572 | 1 | GEAR HOUSING FRONT COVER |
| 14 | V836129942 | 1 | GASKET S2 |
| 15 | V836129782 | 1 | COVER |
| 16 | V614105880 | 1 | OIL SEAL S2 |
| 17 | V640016016 | 1 | CUP PLUG |
| 18 | V504800800 | 5 | NUT |
| 19 | V528801380 | 3 | HEX CAP SCREW |
| 20 | V836746921 | 1 | PIPE |
| 21 | V836129946 | 1 | GASKET S2 |
| 22 | V528801420 | 4 | HEX CAP SCREW |
| 23 | V529801500 | 2 | HEX CAP SCREW |
| 24 | V529801470 | 3 | HEX CAP SCREW |
| 25 | V836120989 | 1 | WASHER |
| 26 | V614604740 | 1 | O-RING S2 |
| 27 | V836338733 | 1 | OIL FILLER CAP |
| 29 | V529801450 | 1 | HEX CAP SCREW |

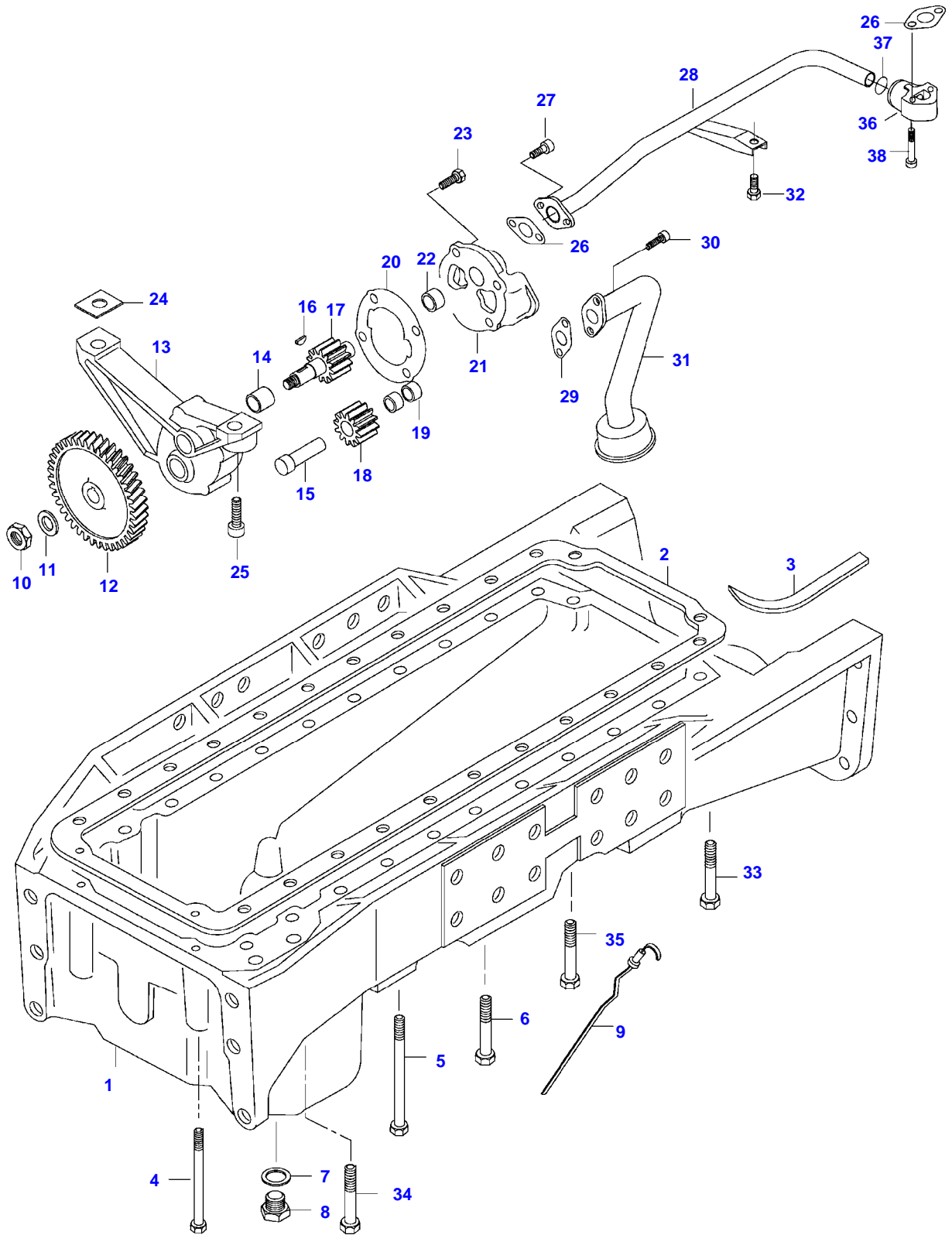
8400E TRACTOR (MEGA SERIES)
SPIMG-006-21-36

6800 -L10359(M)



| Item | Part Number | Qty | Description Comments |
|------|-------------|-----|---|
| 1 | V836662580 | 1 | ENGINE OIL FILTER |
| 2 | V836129315 | 1 | OIL COOLER |
| | V836859699 | 1 | OIL COOLER K11698-(M) 150 HP / 160 HP |
| 3 | V835331586 | 1 | SEALING WASHER |
| | V836862235 | 1 | SEAL . K11698-(M) 150 HP / 160 HP |
| 4 | V836131366 | 1 | PLUG |
| 5 | V836647405 | 1 | UNION |
| | V836859700 | 1 | UNION K11698-(M) 150 HP / 160 HP |
| 6 | V602079516 | 4 | HOSE CLIP |
| 7 | V836747124 | 1 | RUBBER ELBOW |
| | V836859899 | 1 | RUBBER ELBOW K11698-(M) 150 HP / 160 HP |
| 8 | V615881822 | 3 | SEALING WASHER S2 |
| 9 | V836129978 | 1 | RUBBER HOSE |
| 10 | V836847929 | 1 | PIPE |
| 11 | V640435015 | 1 | BANJO BOLT |
| 12 | V836847930 | 1 | BRACKET -D6518(M) |
| 13 | V602060615 | 1 | RETAINER CLAMP |
| 14 | V504800800 | 1 | NUT |
| 15 | V528801380 | 1 | HEX CAP SCREW |
| 16 | V614601524 | 1 | O-RING S2 |
| 17 | V836117834 | 1 | CYLINDER |
| 18 | V836338850 | 1 | OIL PRESSURE CONTROL VALVE |
| 19 | V836655246 | 1 | SPRING |
| 20 | V836020290 | 1 | INJECTOR SHIM |
| 21 | V836322190 | 1 | GASKET S2 |
| 22 | V836129849 | 1 | COVER |
| 23 | V500950800 | 1 | SPRING WASHER |
| 24 | V528801420 | 2 | HEX CAP SCREW |
| 25 | V836119837 | 1 | HOSE COUPLER |
| 26 | V529801520 | 1 | HEX CAP SCREW -D6518(M) |
| | V529801480 | 1 | HEX CAP SCREW D6519-(M) |
| | V836662130 | 1 | OIL PRESSURE CONTROL VALVE |
| 28 | V836659521 | 1 | VALVE SEAT . |
| 29 | V836659522 | 1 | VALVE CONE . |
| 30 | V836864056 | 1 | END . |
| 31 | V836322190 | 1 | GASKET . |
| 32 | V836659524 | 1 | COVER . |
| 33 | V528801380 | 1 | HEX CAP SCREW . |

8400E TRACTOR (MEGA SERIES)
SPIMG-006-21-42



| Item | Part Number | Qty | Description Comments |
|------|-------------|-----|---|
| | | | -L10226-(M) |
| 1 | V836847762 | 1 | OIL SUMP |
| 2 | V836322183 | 1 | OIL SUMP GASKET S2 |
| 3 | V836129727 | 2 | GASKET S2 |
| 4 | V581704830 | 2 | HEX SOCKET SCREW |
| 5 | V529902020 | 4 | HEX CAP SCREW |
| 6 | V529901890 | 14 | HEX CAP SCREW -G11344(M) |
| 7 | V615882432 | 1 | SEALING WASHER S2 |
| | V615881827 | 1 | SEALING WASHER S2 |
| 8 | V836655495 | 1 | PLUG |
| | V836655493 | 1 | PLUG |
| 9 | V836847652 | 1 | DIPSTICK |
| | V836322243 | 1 | OIL PUMP -C1132(M) |
| | V836852607 | 1 | LUBRICATING OIL PUMP C1133(M)-J7033(M) |
| | V836855300 | 1 | LUBRICATING OIL PUMP J7034-(M) |
| 10 | V504861000 | 1 | NUT |
| 11 | V836122910 | 1 | WASHER |
| 12 | V836112362 | 1 | GEAR . -C1132(M) |
| | V836338667 | 1 | GEAR . C1133-(M) |
| 13 | V836322237 | 1 | HOUSING . -J7033(M) |
| | V836338186 | 1 | FRAME . J7034-(M) |
| 14 | V836322909 | 1 | BUSHING |
| 15 | V836322906 | 1 | OIL PUMP SHAFT .. |
| 16 | V603305530 | 1 | KEY . -C1132(M) |
| 17 | V836322241 | 1 | PINION . -C1132(M) |
| | V836852601 | 1 | OIL PUMP SHAFT . C1133(M)-J7033(M) |
| | V836338182 | 1 | OIL PUMP SHAFT . J7034-(M) |
| 18 | V836322908 | 1 | GEAR . -J7033(M) |
| | V836338180 | 1 | GEAR,OIL PUMP . J7034-(M) |
| 19 | V836322909 | 2 | BUSHING .. |



Suggest:

For more complete manuals. Please go to the home page.

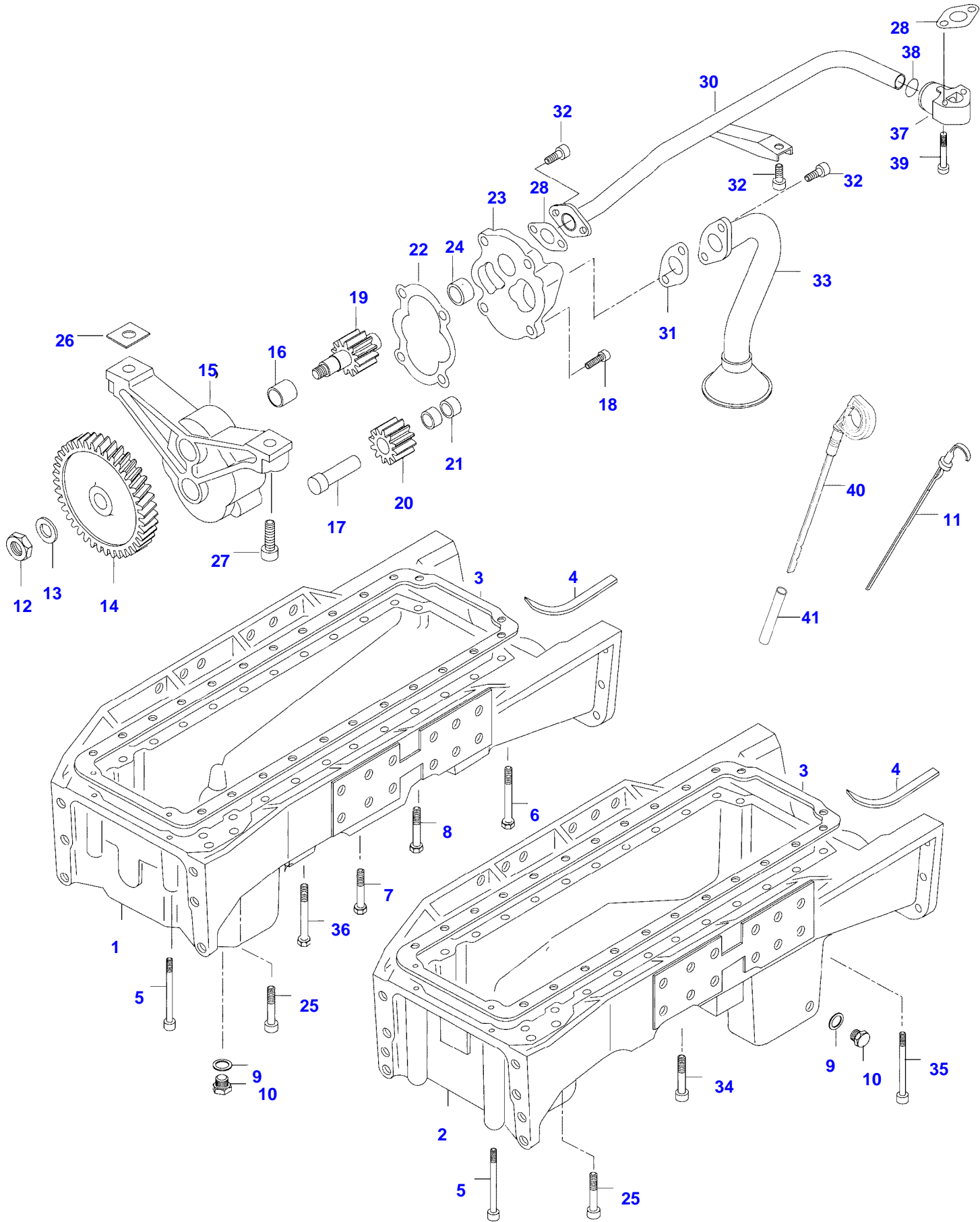
<https://www.ebooklibonline.com>

If the above button click is invalid. Please download this document first, and then click the above link to download the complete manual.

Thank you so much for reading

| Item | Part Number | Qty | Description Comments |
|------|-------------|-----|------------------------------------|
| 20 | V836119796 | 1 | GASKET . S2 -J7033(M) |
| | V836338188 | 1 | GASKET . S2 J7034-(M) |
| 21 | V836322238 | 1 | COVER . -J7033(M) |
| | V836855297 | 1 | COVER . J7034-(M) |
| 22 | V836322909 | 1 | BUSHING .. |
| 23 | V528801380 | 4 | HEX CAP SCREW . |
| 24 | V836007871 | 2 | SHIM |
| 25 | V581805050 | 2 | HEX SOCKET SCREW |
| 26 | V836008449 | 2 | GASKET S2 |
| 27 | V581804600 | 2 | HEX SOCKET SCREW |
| 28 | V836846445 | 1 | OIL PIPE -J7033(M) |
| | V836866569 | 1 | OIL PIPE J7034-(M) |
| 29 | V836122282 | 1 | GASKET -J7033(M) S2 |
| | V836338201 | 1 | GASKET S2 J7034-(M) |
| 30 | V581804620 | 2 | HEX SOCKET SCREW |
| 31 | V836336301 | 1 | PIPE -J7033(M) |
| | V836859673 | 1 | OIL PUMP SUCTION PIPE J7034-(M) |
| 32 | V528801362 | 1 | HEX CAP SCREW |
| 33 | V529901930 | 6 | HEX CAP SCREW -G11344(M) |
| 34 | V581706350 | 4 | HEX SOCKET SCREW |
| 35 | V581705130 | 20 | HEX SOCKET SCREW G11345-(M) |
| 36 | V836866563 | 1 | ADAPTER FLANGE |
| 37 | V614702230 | 1 | O-RING |
| 38 | V581804680 | 2 | HEX SOCKET SCREW |

8400E TRACTOR (MEGA SERIES)
SPIMG-006-21-44



<https://www.ebooklibonline.com>

Hello dear friend!

Thank you very much for reading.

Enter the link into your browser.

The full manual is available for immediate download.

<https://www.ebooklibonline.com>