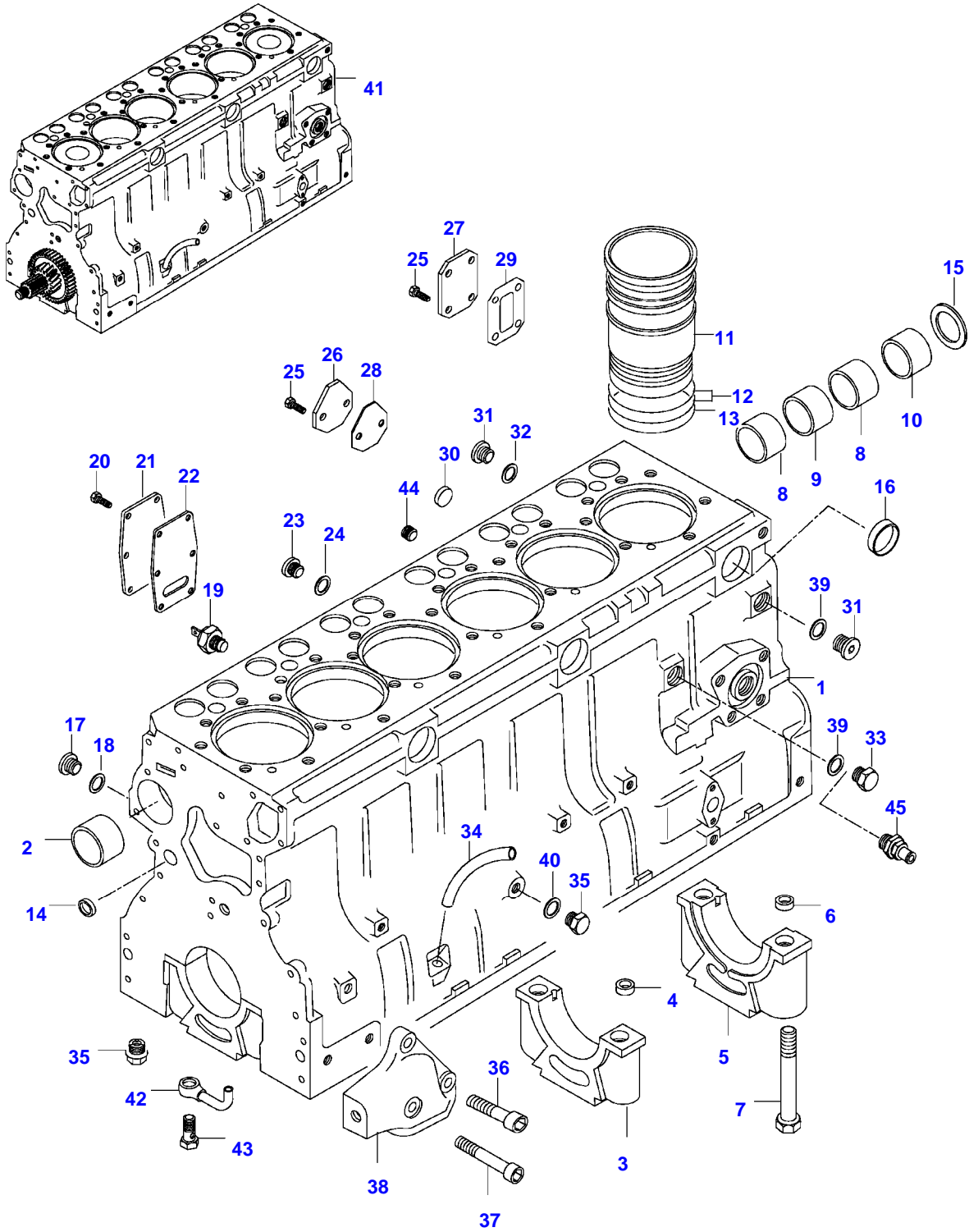


Page Number	Page Title	Page Reference
01-000-TOC	ENGINE, FUEL AND EXHAUST SYSTEM	01-000-TOC
02-000-TOC	AXLES	02-000-TOC
03-000-TOC	STEERING SYSTEM	03-000-TOC
04-000-TOC	DRIVE TRAIN SYSTEM	04-000-TOC
05-000-TOC	BRAKE SYSTEM	05-000-TOC
06-000-TOC	COMPRESSED AIR SYSTEM	06-000-TOC
07-000-TOC	HYDRAULIC SYSTEM	07-000-TOC
08-000-TOC	ELECTRICAL SYSTEM	08-000-TOC
09-000-TOC	CAB	09-000-TOC
10-000-TOC	AIR CONDITIONING AND HEATING SYSTEM	10-000-TOC
11-000-TOC	CHASSIS	11-000-TOC
12-000-TOC	DECALS	12-000-TOC
13-000-TOC	WHEELS	13-000-TOC
14-000-TOC	IMPLEMENT DRIVE SYSTEM	14-000-TOC
15-000-TOC	IMPLEMENT LIFT SYSTEM FRONT	15-000-TOC
16-000-TOC	IMPLEMENT LIFT SYSTEM REAR	16-000-TOC
17-000-TOC	PRECISION FARMING SYSTEMS	17-000-TOC
18-000-TOC	ATTACHMENTS	18-000-TOC
19-000-TOC	GENERAL INFORMATION	19-000-TOC

Page Number	Page Title	Page Reference
01-0001	CYLINDERBLOCK	21-06
01-0002	FLYWHEEL AND HOUSING	21-12
01-0003	CYLINDER HEAD	21-18
01-0004	VALVE MECHANISM	21-24
01-0005	CRANK MECHANISM	21-30
01-0006	GEAR HOUSING	21-32
01-0007	OIL FILTER	21-34
01-0008	OIL SUMP	21-42
01-0009	AIR CLEANER	21-54
01-0010	INTAKE- AND EXHAUST PIPE -N12152(M)	21-62
01-0011	INTAKE- AND EXHAUST PIPE N12153-(M)	21-62B
01-0012	MUFFLER	21-66
01-0013	TURBOCHARGER	21-76
01-0014	COLD-STARTING DEVICE	21-82
01-0015	FUEL FILTER -N12152(M)	22-24
01-0016	FUEL FILTER N12153-(M)	22-24A
01-0017	WATER SEPARATOR	22-26
01-0018	PREFILTER, FUEL	22-28
01-0019	FUEL PIPES	22-30
01-0020	INJECTION PUMP -L10240(M)	22-42
01-0021	INJECTION PUMP L10241(M)-N12152(M)	22-42B
01-0022	INJECTION PUMP N12153-(M)	22-42D
01-0023	SPEED LEVERS -N10361(M)	22-52
01-0024	SPEED LEVERS N10362-(M)	22-56
01-0025	RADIATOR	23-06
01-0026	COOLANT PUMP	23-16
01-0027	STARTERMOTOR	31-04
01-0028	ALTERNATOR -N12152(M)	31-12
01-0029	ALTERNATOR N12153-(M)	31-14B
01-0030	ALTERNATOR	31-16
01-0031	ELECTRICAL EQUIPMENT ENGINE, EEM PARTS N12153-(M)	33-32
01-0032	GASKET SETS	28-06
01-0033	GASKET SETS	28-12
01-0034	ENGINE REPAIR KIT AND BEARING	28-16
01-0035	ADJUSTING PLATE FOR INJECTOR	28-18
01-0036	CATALYZER (OPTIONAL EQUIPMENT)	29-16
01-0037	PILLAR EXHAUST PIPE (OPTIONAL EQUIPMENT)	29-22
01-0038	SHIELD COVER AIR CLEANER (OPTIONAL EQUIPMENT)	29-26
01-0039	ENGINE HEATER (OPTIONAL EQUIPMENT)	39-04

8050E TRACTOR (MEGA SERIES)
SPIMG-006-21-06



<https://www.ebooklibonline.com>

Hello dear friend!

Thank you very much for reading.

Enter the link into your browser.

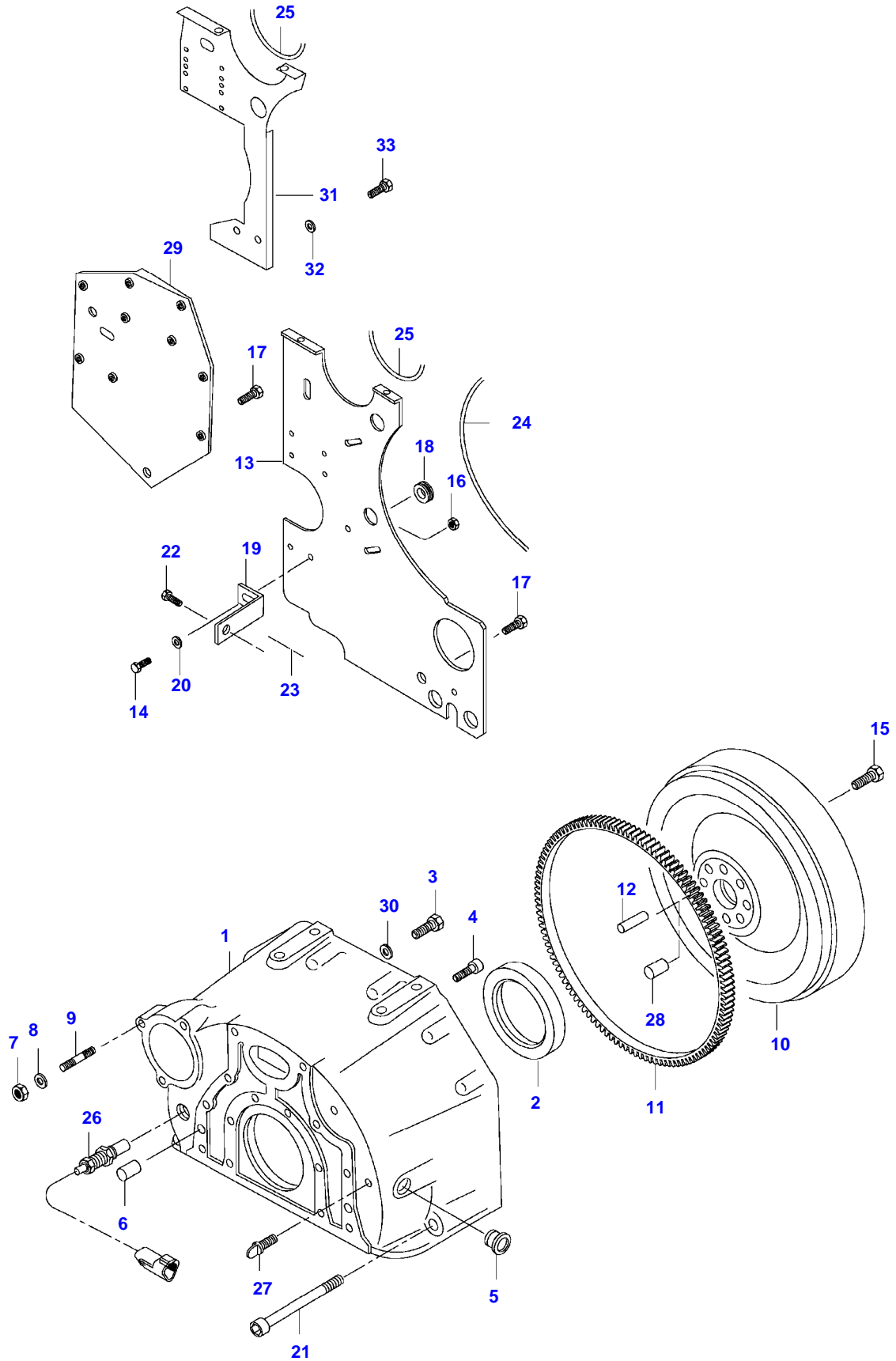
The full manual is available for immediate download.

<https://www.ebooklibonline.com>

Item	Part Number	Qty	Description Comments
1	V836866110	1	CYLINDER BLOCK
2	V836866069	1	CAMSHAFT BEARING BUSHING
3	NS	6	NON-SERVICEABLE PART
4	V836214478	12	BEARING COVER GUIDE SLEEVE
5	NS	1	NON-SERVICEABLE PART
6	V836214478	2	BEARING COVER GUIDE SLEEVE
7	V835329030	14	HEX CAP SCREW
8	V836852460	2	CAMSHAFT BEARING BUSHING
9	V836852459	1	C2751-(M) CAMSHAFT BEARING BUSHING
10	V836852461	1	C2751-(M) CAMSHAFT BEARING BUSHING
11	V836666990	6	C2751-(M) LINER
12	V836647502	12	CYLINDER LINER O-RING S2
13	V836647503	6	CYLINDER LINER O-RING S2
14	V640016016	4	CUP PLUG S2
15	V836529872	1	PLUG -C2751(M)
	V836852744	1	PLUG C2751-(M)
16	V640016040	2	CUP PLUG
17	V640325110	3	SCREW PLUG
18	V615571014	3	SEALING WASHER S2
19	V887283760	1	PRESSURE SWITCH
20	V528801380	6	HEX CAP SCREW
21	V836847994	1	FLANGE
22	V836322852	1	GASKET 2S
24	V615881620	1	SEALING WASHER S2
25	V528801362	2	HEX CAP SCREW -H3774(M)
	V528801362	4	HEX CAP SCREW H3774-(M)
26	V836647400	1	COVER H3774-(M)
27	V836866957	1	COVER N12153-(M)
28	V836647401	1	GASKET H3774-(M) S2
29	V836866958	1	GASKET N12153-(M) S2
30	V640016018	2	CUP PLUG
31	V640325018	2	PLUG
32	V615881822	3	SEALING WASHER S2
33	V836019756	1	PLUG
34	V836129747	1	OIL DIPSTICK GUIDE PIPE

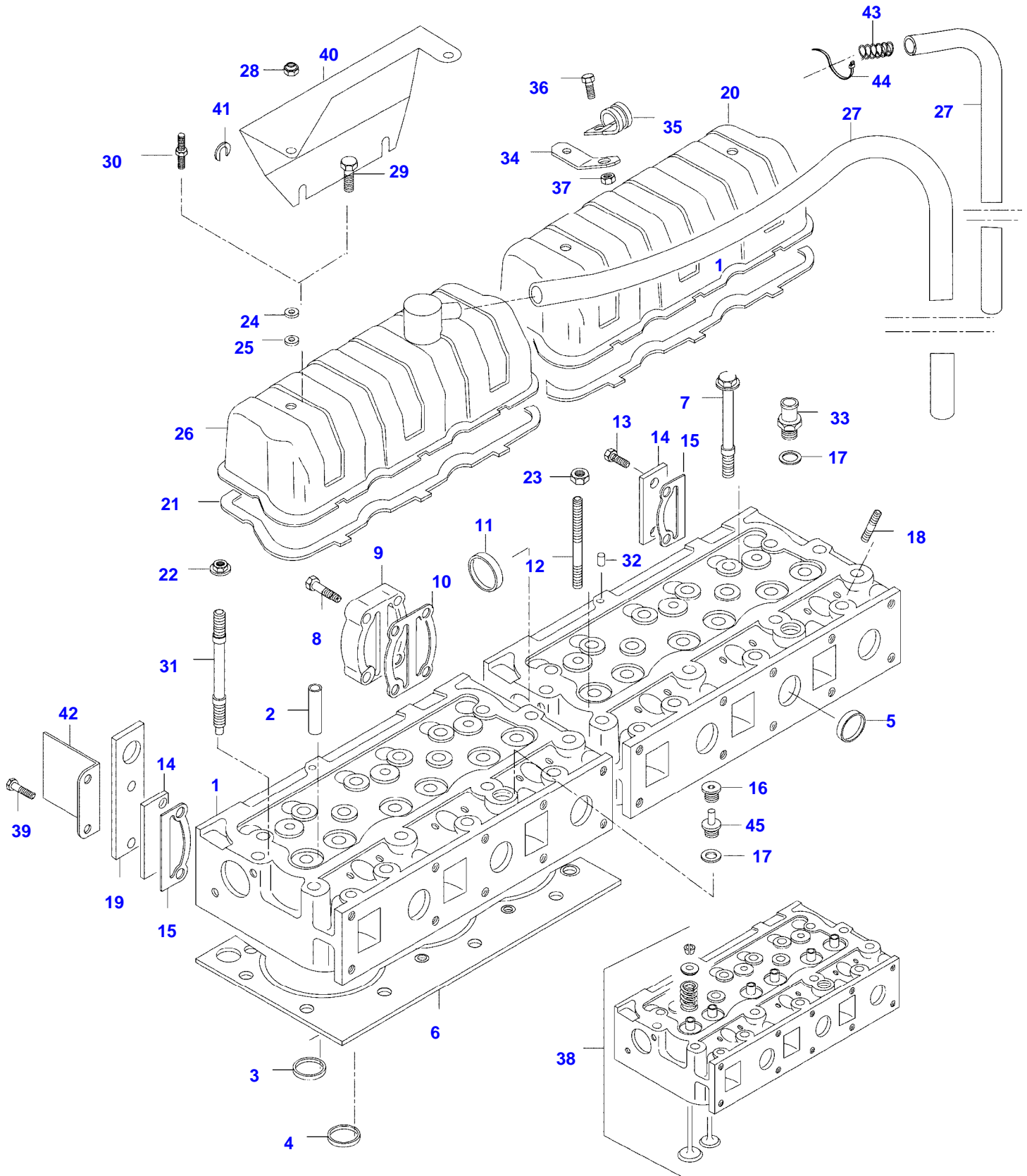
Item	Part Number	Qty	Description Comments
35	V640305012	7	PLUG
36	V581705850	4	HEX SOCKET SCREW
37	V581705890	2	HEX SOCKET SCREW
38	V836346012	1	ENGINE MOUNT LEFT
	V836346013	1	ENGINE MOUNT RIGHT
39	V615881824	1	SEALING WASHER S2
40	V615881216	1	SEALING WASHER S2
41	V862760001	1	REMANUFACTURED SHORT BLOCK ENGINE
44	V640025010	1	PLUG
45	V836664377	1	DRAIN VALVE
	V836840237	1	ENGINE GASKET KIT S1
	V836840238	1	ENGINE GASKET KIT S1+S2

8050E TRACTOR (MEGA SERIES)
SPIMG-006-21-12



Item	Part Number	Qty	Description Comments	Technical Specification
1	V836647439	1	FLYWHEEL HOUSING	
2	V614500002	1	CRANKSHAFT SEAL S2	
3	V529702220	8	HEX CAP SCREW	
4	V581705030	6	HEX SOCKET SCREW	
5	V836007572	1	RUBBER PLUG	
6	V598359850	2	PIN	
7	V504601000	3	NUT	
8	V500951000	3	SPRING WASHER	
9	V546801800	3	STUD BOLT	
10	V836859824	1	FLYWHEEL	
11	V835328783	1	STARTER RING	
12	V595955060	1	PIN	
13	V836855878	1	FLYWHEEL HOUSING	
14	V528801362	3	HEX CAP SCREW	
15	V528702230	7	HEX CAP SCREW	
16	V504800800	2	NUT	
17	V528802180	2	HEX CAP SCREW	
18	V835338745	1	RUBBER INLET	
19	V836755361	1	SUPPORT	
20	V500150842	3	WASHER	
21	VHC9784	2	HEX SOCKET SCREW	M12 X 140 SFS_EN_ISO_4762 12.9
22	V528801800	1	HEX CAP SCREW	
23	V32664900	1	SHIELD	
24	V32604100	1	BAND	
25	V32604200	1	BAND	
27	V836859311	1	PLUG	
28	V836659527	1	GUIDE SLEEVE H17163-(M)	
29	V836759798	1	BRACKET J7037-(M)	
30	V500951200	8	SPRING WASHER	
31	V34172400	1	HOLDER	
32	VJD0408	2	WASHER	M8
33	VHA6322	2	SCREW	M8 X 16 SFS_EN_ISO_4017 8.8

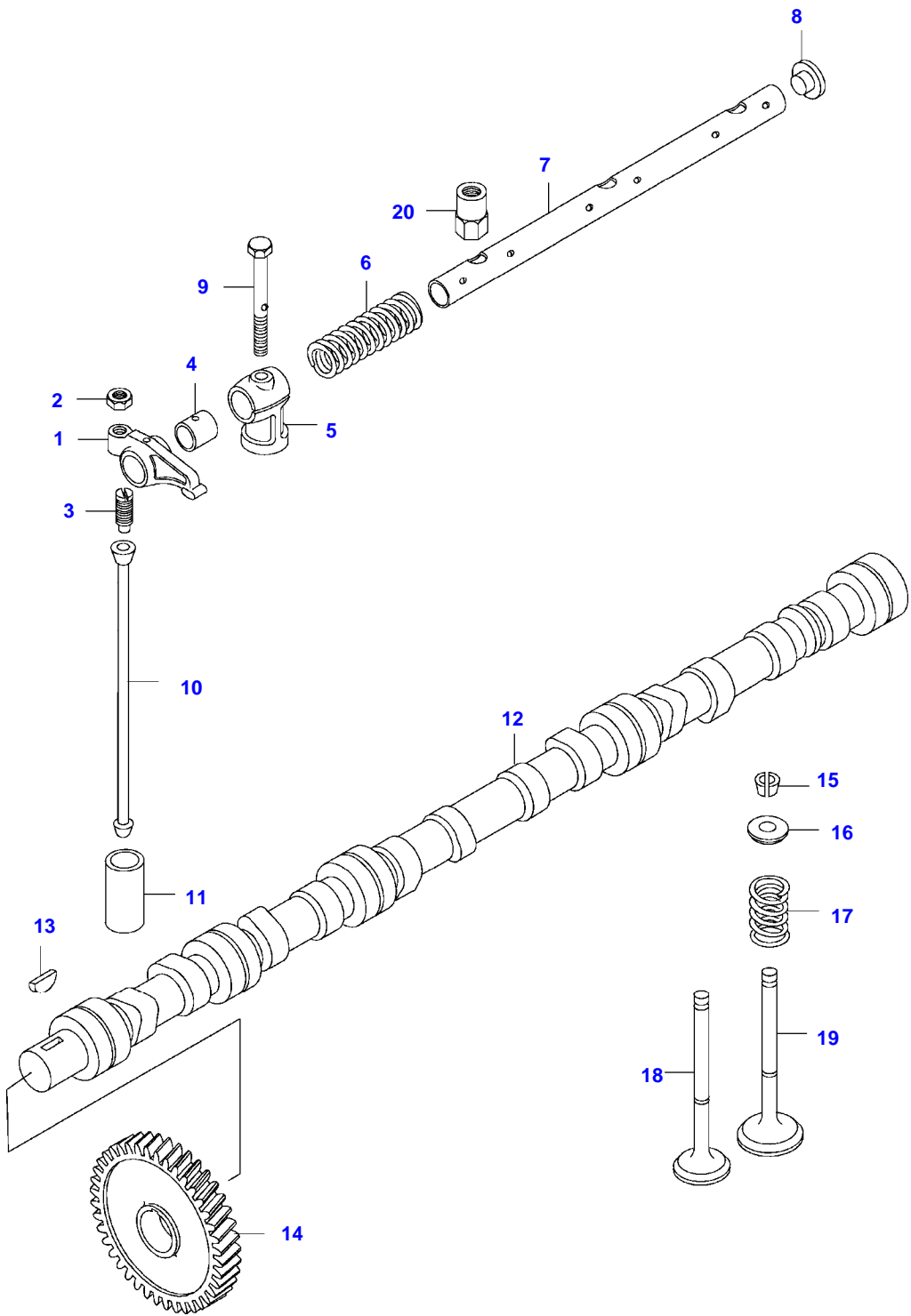
8050E TRACTOR (MEGA SERIES)
SPIMG-006-21-18



Item	Part Number	Qty	Description Comments
1	V836655379	2	CYLINDER HEAD
2	V836647601	12	GUIDE
3	V836647600	6	VALVE SEAT
5	V836647942	10	EXHAUST CUP PLUG
6	V836666302	2	CYLINDER HEAD GASKET S1
7	V836859104	32	HEXAGON FLANGE BOLT
8	V528801420	4	HEX CAP SCREW
	V529801830	4	HEX CAP SCREW
9	V836855348	1	CONNECTION FLANGE
10	V836866214	1	GASKET S1
11	V640016045	1	CUP PLUG
12	V836652357	4	STUD BOLT
	V546801900	4	STUD BOLT F9059-(M)
13	V528801380	2	HEX CAP SCREW
	V528801800	2	HEX CAP SCREW
14	V836855350	2	BLOCK OFF PLATE
15	V836866215	2	GASKET S1
16	V640325018	1	PLUG
45	V836659058	1	CONNECTOR J7034-(M)
17	V615881822	2	SEALING WASHER S1
18	V546901435	12	STUD BOLT
19	V836855349	1	LIFT EYE
	V836855349	2	LIFT EYE E3979-(M)
20	V836846448	1	VALVE ROCKER COVER
	V836846448	1	VALVE ROCKER COVER N12153-(M)
21	V836646360	2	VALVE ROCKER COVER GASKET S1
22	V836859110	2	NUT
23	V504601000	4	NUT -F9354(M)
	V836655406	4	SLEEVE NUT F9355-(M)
24	V836119855	4	WASHER
25	V836012841	4	RUBBER BUSHING S1
26	V836646359	1	VALVE ROCKER COVER
27	V836859875	1	RUBBER HOSE
	V836647814	1	RUBBER HOSE N12153-(M)
28	V510601002	4	NUT
29	V528801780	1	HEX CAP SCREW F9355-(M)
30	V836659175	3	STUD BOLT F9355-(M)
31	V836859109	2	STUD BOLT
32	V595959140	2	PIN
33	V836119837	1	HOSE COUPLER
34	V836652567	1	SUPPORT
35	V602074528	1	HOSE CLIP
	V836659539	1	CLAMP H13177-(M)
36	V528801362	1	HEX CAP SCREW
37	V504800800	1	NUT
38	V836640853	2	CYLINDER HEAD

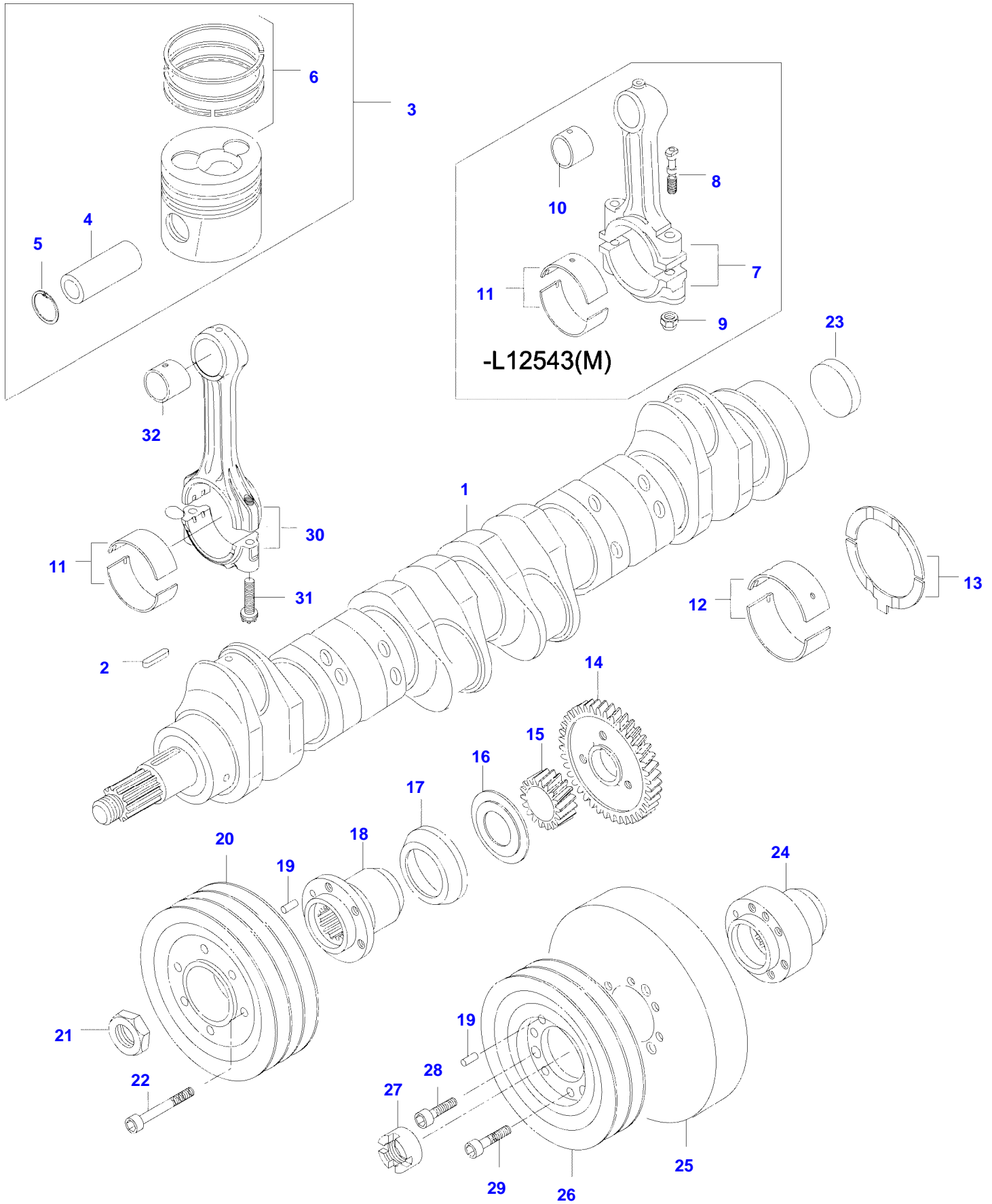
Item	Part Number	Qty	Description Comments
39	V528801820	2	HEX CAP SCREW
	V528801380	2	HEX CAP SCREW
40	V836859843	1	HEAT SHIELD
	V836866843	1	HEAT SHIELD N12153-(M)
41	V836864223	2	LOCK RING
42	V836666199	1	HEAT SHIELD L8223-(M)
43	V836659103	1	SPRING N12153-(M)
44	V835329746	1	CABLE TIE N12153-(M)

8050E TRACTOR (MEGA SERIES)
SPIMG-006-21-24



Item	Part Number	Qty	Description Comments
	V836646332	2	ROCKER SHAFT ASM -F9058(M)
1	V835328363	12	ROCKER ARM
2	V504800800	12	NUT
3	V836010106	12	VALVE ROCKER ADJUSTMENT SCREW
4	V836006586	12	BEARING
5	V836006580	6	BRACKET
6	V836006582	4	SPRING
7	V836646329	2	SHAFT
8	V836655113	4	PLUG
	V836666610	2	ROCKER SHAFT ASM F9059-(M)
1	V836666608	12	ROCKER ARM
2	V512861000	12	NUT
3	V836655866	12	ADJUSTING SCREW
5	V836655869	6	BRACKET
6	V836655884	4	SPRING
7	V836655870	2	SHAFT
8	V836655899	4	PLUG
9	V529801910	2	HEX CAP SCREW
10	V836110237	12	PUSHROD -F9058(M)
	V836655867	12	PUSHROD F9059-(M)
11	V836014264	12	TAPPET
12	V836846376	1	CAMSHAFT -L13187(M)
	V836866054	1	CAMSHAFT L13188-(M)
13	V603305760	1	WOODRUFF KEY
14	V836646389	1	GEAR,CAMSHAFT
15	V836646382	24	COTTER
16	V836646381	12	WASHER
17	V836646380	12	SPRING
18	V836646357	6	EXHAUST VALVE
19	V836646356	6	INTAKE VALVE
20	V836655406	4	SLEEVE NUT F9059-(M)

8050E TRACTOR (MEGA SERIES)
SPIMG-006-21-30

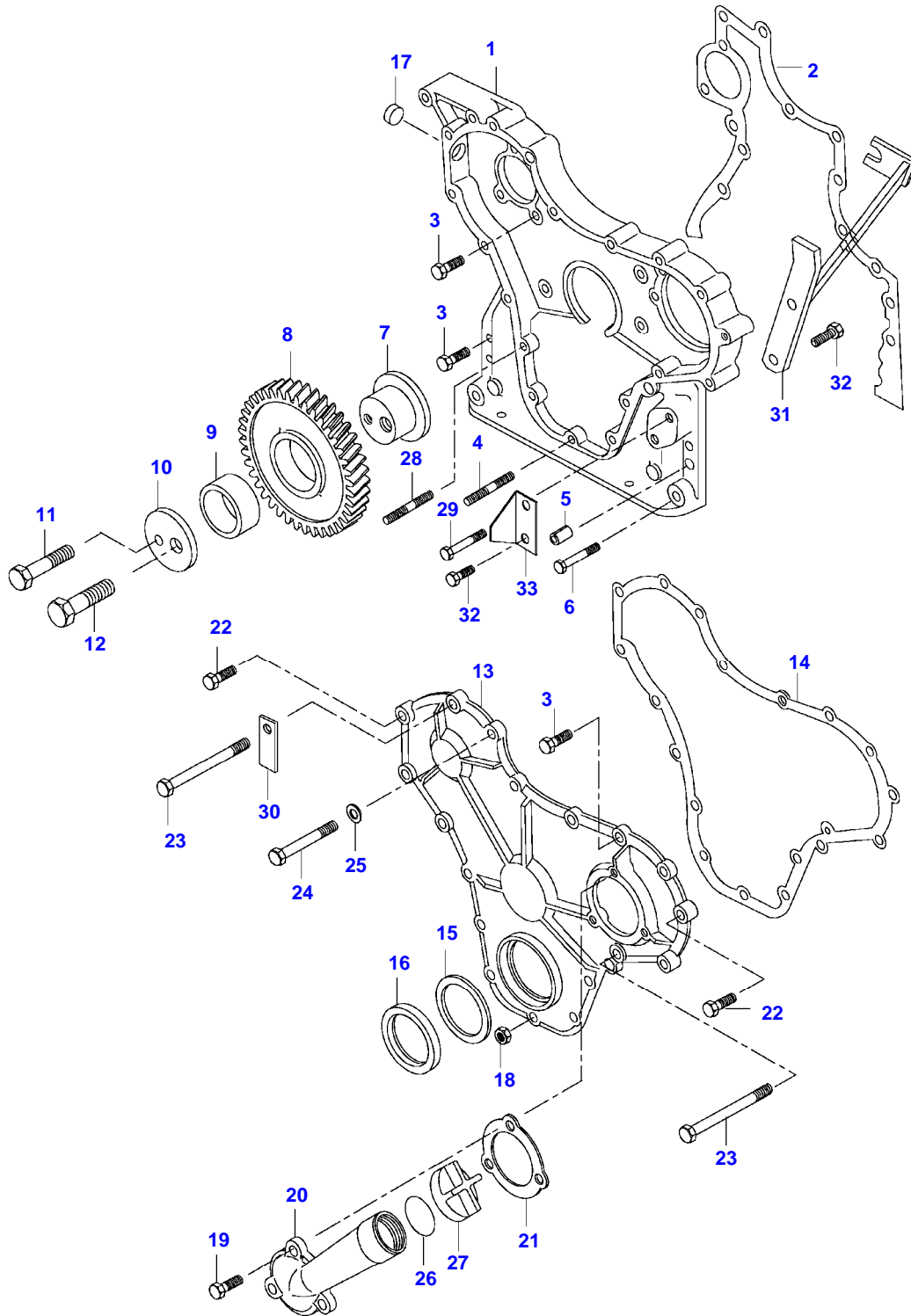


Item	Part Number	Qty	Description Comments	Technical Specification
1	V836847352	1	CRANKSHAFT	
	V836866474	1	CRANKSHAFT N12153-(M)	
2	V603345110	1	KEY	
3	V836655269	6	KIT, PISTON	
4	NS	6	NON-SERVICEABLE PART	
			PISTON PIN	
5	NS	12	NON-SERVICEABLE PART	
			CIRCLIP	
6	V836640126	6	PISTON RING KIT	
			PISTON	
3	V836659702	6	L10241-(M)	
4	NS	6	NON-SERVICEABLE PART	
			PISTON PIN	
5	NS	12	NON-SERVICEABLE PART	
			CIRCLIP	
6	V836640126	6	PISTON RING KIT	
			L10241-(M)	
7	V836647460	6	CONROD 2150-2169 G X -L12543(M)	
	V836652104		CONROD 2170-2189 G A -L12543(M)	
	V836652105		CONROD 2190-2209 G B -L12543(M)	
	V836652106		CONROD 2210-2229 G C -L12543(M)	
	V836652107		CONROD 2230-2249 G D -L12543(M)	
	V836652108		CONROD 2250-2269 G E -L12543(M)	
	V836652109		CONROD 2270-2289 G H -L12543(M)	
	V836652110		CONROD 2290-2309 G I -L12543(M)	
	V836652111		CONROD 2310-2329 G J -L12543(M)	
	V836652112		CONROD 2330-2349 G K -L12543(M)	
	V836652113		CONROD 2350-2369 G L -L12543(M)	
	V836652114		CONROD 2370-2389 G M -L12543(M)	
	V836652115		CONROD 2390-2409 G N -L12543(M)	
	V836652116		CONROD 2410-2429 G O -L12543(M)	

Item	Part Number	Qty	Description Comments	Technical Specification
	V836652117		CONROD 2430-2449 G P -L12543(M)	
	V836652118		CONROD 2450-2469 G R -L12543(M)	
	V836652119		CONROD 2470-2489 G S -L12543(M)	
	V836652120		CONROD 2490-2509 G T -L12543(M)	
	V836652121		CONROD 2510-2529 G U -L12543(M)	
30	NS		NON-SERVICEABLE PART CONNECTING ROD 1935-1954 G F L12544-(M) [A]	
	NS		NON-SERVICEABLE PART CONNECTING ROD 1955-1974 G V L12544-(M) [A]	
	NS		NON-SERVICEABLE PART CONNECTING ROD 1975-1994 G X L12544-(M) [A]	
	NS		NON-SERVICEABLE PART CONNECTING ROD 1995-2014 G Y L12544-(M) [A]	
	NS		NON-SERVICEABLE PART CONNECTING ROD 2015-2034 G W L12544-(M) [A]	
	NS		NON-SERVICEABLE PART CONNECTING ROD 2035-2054 G Z L12544-(M) [A]	
	NS		NON-SERVICEABLE PART CONNECTING ROD 2055-2074 G G L12544-(M) [A]	
8	V836646204	12	CONNECTING ROD BOLT . -L12543(M)	
31	V836864141	12	CONNECTING ROD BOLT . L12544-(M) [A]	
9	V836646205	12	NUT .	
10	V836646271	6	-L12543(M) BEARING BUSH .	
32	V836110646	6	-L12543(M) BEARING BUSH . L12544-(M) [A]	STD

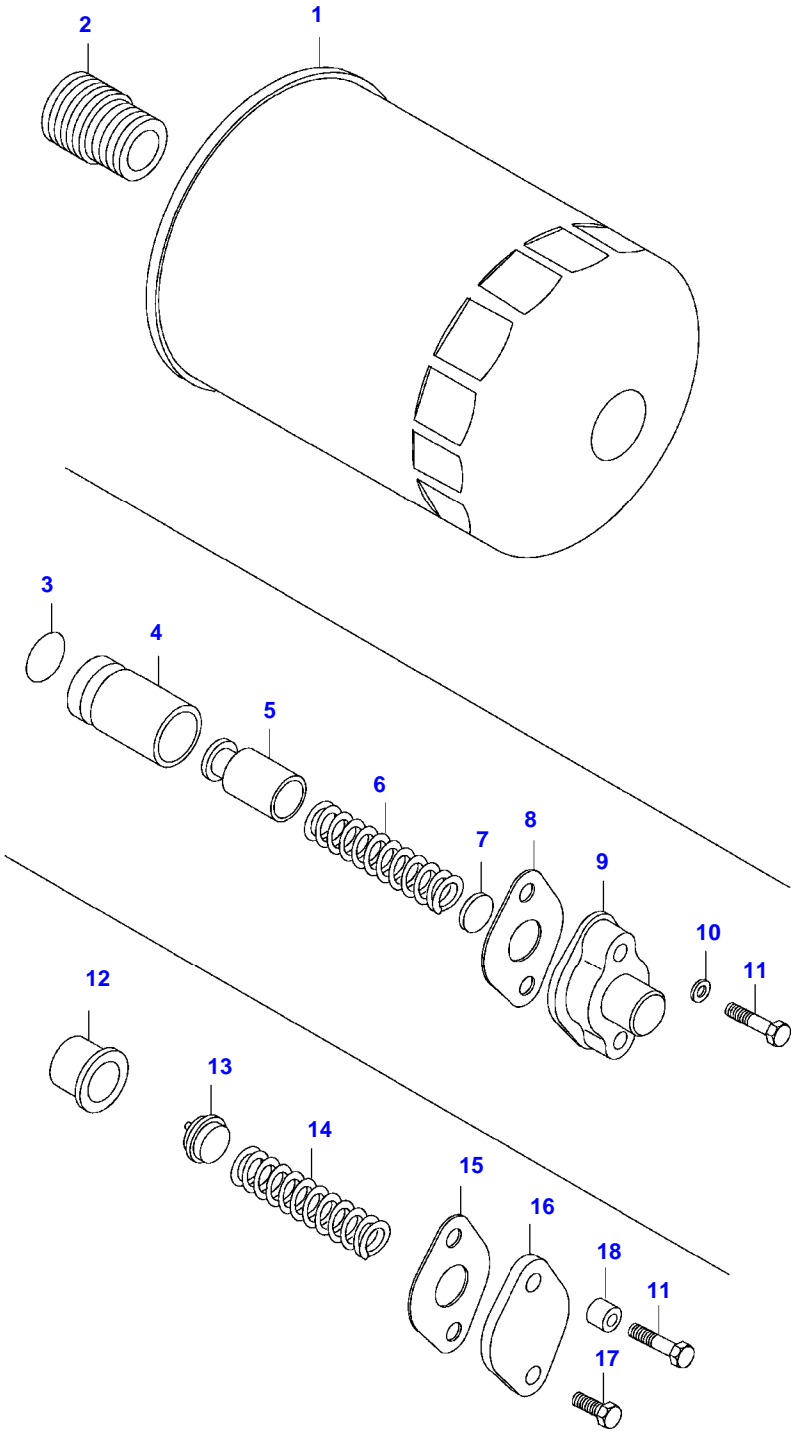
Item	Part Number	Qty	Description Comments	Technical Specification
11	V836110552	6	BEARING SHELL SEE PAGE 01-0034	
12	V836655514	7	MAIN BEARING SEE PAGE 01-0034	
13	V836119459	2	THRUST WASHER SEE PAGE 01-0034	
14	V836119550	1	GEAR,CRANKSHAFT	
15	V836122840	1	GEAR,CRANKSHAFT	
16	V836129781	1	RING	
17	V836136271	1	SHIELD	
18	V836846463	1	CRANKSHAFT HUB	
19	V595953360	1	PIN	
20	V836864290	1	CRANKSHAFT V-BELT PULLEY DUAL GROOVE	
	V836866625	1	PULLEY N12153-(M)	
21	V836647310	1	CRANKSHAFT NUT	
22	V581804680	6	HEX SOCKET SCREW	
	V581804670	6	HEX SOCKET SCREW N12153-(M)	
23	V836852082	1	PLUG	
			[A] V836840928 CONNECTING ROD SET L12544-(M), REF. 30, 31, 32	

8050E TRACTOR (MEGA SERIES)
SPIMG-006-21-32-



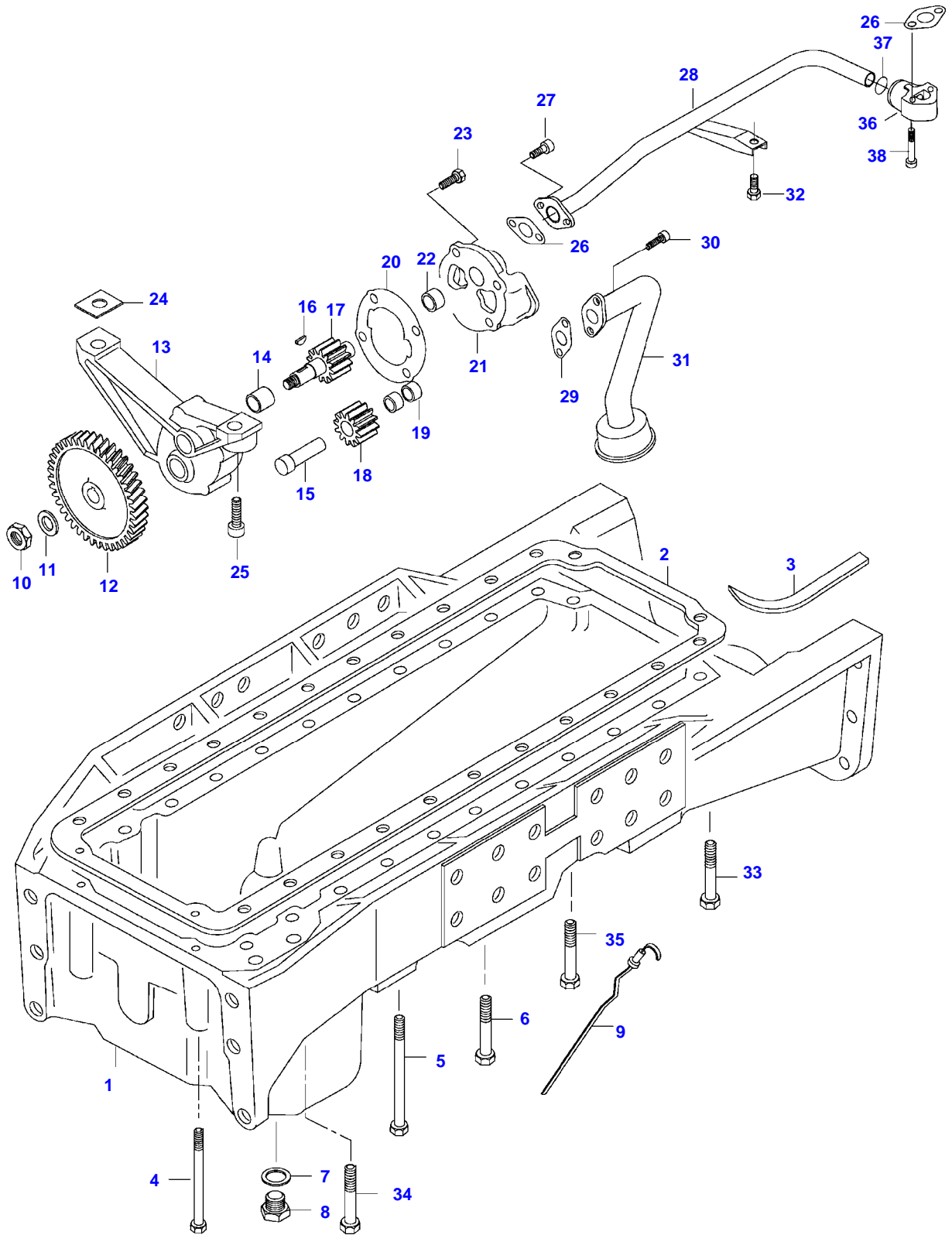
Item	Part Number	Qty	Description Comments
1	V836647865	1	TIMING GEAR CASE
	V836666400	1	TIMING GEAR CASE N12153-(M)
2	V836647419	1	GASKET S2
3	V528801400	11	HEX CAP SCREW
4	V546801380	4	STUD BOLT
5	V598359850	4	PIN
6	V529801440	2	HEX CAP SCREW
7	V836129709	1	SHAFT
8	V836129863	1	IDLER GEAR
9	V836129844	1	BEARING BUSH
10	V836129845	1	FLANGE
11	V528801860	1	HEX CAP SCREW
12	V529902680	1	HEX CAP SCREW
13	V836647572	1	GEAR HOUSING FRONT COVER
14	V836129942	1	GASKET S2
15	V836129782	1	COVER
16	V614105880	1	OIL SEAL S2
17	V640016016	1	CUP PLUG
18	V504800800	5	NUT
19	V528801380	3	HEX CAP SCREW
20	V836746921	1	PIPE
21	V836129946	1	GASKET S2
22	V528801420	4	HEX CAP SCREW
23	V529801500	2	HEX CAP SCREW
24	V529801470	3	HEX CAP SCREW
25	V836120989	1	WASHER
26	V614604740	1	O-RING S2
27	V836338733	1	OIL FILLER CAP
29	V529801450	1	HEX CAP SCREW
30	V836083428	2	CABLE TIE
31	V836655512	1	BRACKET
	V836664528	1	THROTTLE SENSOR BRACKET L8253-(M)
32	V528801362	3	HEX CAP SCREW
33	V836652318	1	TIMING MARK INDICATOR N12153-(M)

8050E TRACTOR (MEGA SERIES)
SPIMG-006-21-34



Item	Part Number	Qty	Description Comments
1	V836662580	1	ENGINE OIL FILTER
2	V836647404	1	UNION
	V835340042		OIL PRESSURE CONTROL VALVE
3	V614601524	1	O-RING
			.
			S2
4	V836117834	1	CYLINDER
			.
5	V836338850	1	OIL PRESSURE CONTROL VALVE
			.
6	V836117836	1	SPRING
			.
7	V836020290	1	INJECTOR SHIM
			.
8	V836322190	1	GASKET
			.
			S2
9	V836129849	1	COVER
10	V500950800	1	SPRING WASHER
11	V528801420	2	HEX CAP SCREW
	V836662129		OIL PRESSURE CONTROL VALVE
			J7602-(M)
12	V836659521	1	VALVE SEAT
			.
13	V836659522	1	VALVE CONE
			.
14	V836659523	1	SPRING
			.
15	V836322190	1	GASKET
			.
16	V836659524	1	COVER
			.
17	V528801380	1	HEX CAP SCREW
			.
18	V836136337	1	SPACER PIECE
			.

8050E TRACTOR (MEGA SERIES)
SPIMG-006-21-42



Item	Part Number	Qty	Description Comments
1	V836847762	1	OIL SUMP
2	V836322183	1	OIL SUMP GASKET S2
3	V836129727	2	GASKET S2
4	V581704830	2	HEX SOCKET SCREW
5	V529902020	4	HEX CAP SCREW
6	V529901890	14	HEX CAP SCREW -G11344(M)
7	V615882432	1	SEALING WASHER S2
	V615881827	1	SEALING WASHER S2
8	V836655495	1	PLUG
	V836655493	1	PLUG
9	V836847652	1	DIPSTICK
	V836852607	1	LUBRICATING OIL PUMP C1133(M)-J7033(M)
	V836855300	1	LUBRICATING OIL PUMP J7034-(M)
10	V504861000	1	NUT
11	V836122910	1	WASHER
12	V836338667	1	GEAR C1133-(M)
13	V836322237	1	HOUSING -J7033(M)
	V836338186	1	FRAME J7034-(M)
14	V836322909	1	BUSHING
15	V836322906	1	OIL PUMP SHAFT
17	V836852601	1	OIL PUMP SHAFT C1133(M)-J7033(M)
	V836338182	1	OIL PUMP SHAFT J7034-(M)
18	V836322908	1	GEAR -J7033(M)
	V836338180	1	GEAR,OIL PUMP J7034-(M)
19	V836322909	2	BUSHING
20	V836119796	1	GASKET S2
	V836338188	1	GASKET -J7033(M)
21	V836322238	1	COVER S2
	V836855297	1	COVER -J7033(M)
			J7034-(M)

Item	Part Number	Qty	Description Comments
22	V836322909	1	BUSHING
23	V528801380	4	HEX CAP SCREW
24	V836007871	2	SHIM
25	V581805050	2	HEX SOCKET SCREW
26	V836008449	2	GASKET S2
27	V581804600	2	HEX SOCKET SCREW
28	V836846445	1	OIL PIPE -J7033(M)
	V836866569	1	OIL PIPE J7034-(M)
29	V836122282	1	GASKET -J7033(M) S2
	V836338201	1	GASKET S2 J7034-(M)
30	V581804620	2	HEX SOCKET SCREW
31	V836336301	1	PIPE -J7033(M)
	V836859673	1	OIL PUMP SUCTION PIPE J7034-(M)
32	V528801362	1	HEX CAP SCREW
33	V529901930	6	HEX CAP SCREW -G11344(M)
34	V581706350	4	HEX SOCKET SCREW
35	V581705130	20	HEX SOCKET SCREW G11345-(M)
36	V836866563	1	ADAPTER FLANGE
37	V614702230	1	O-RING
38	V581804680	2	HEX SOCKET SCREW



Suggest:

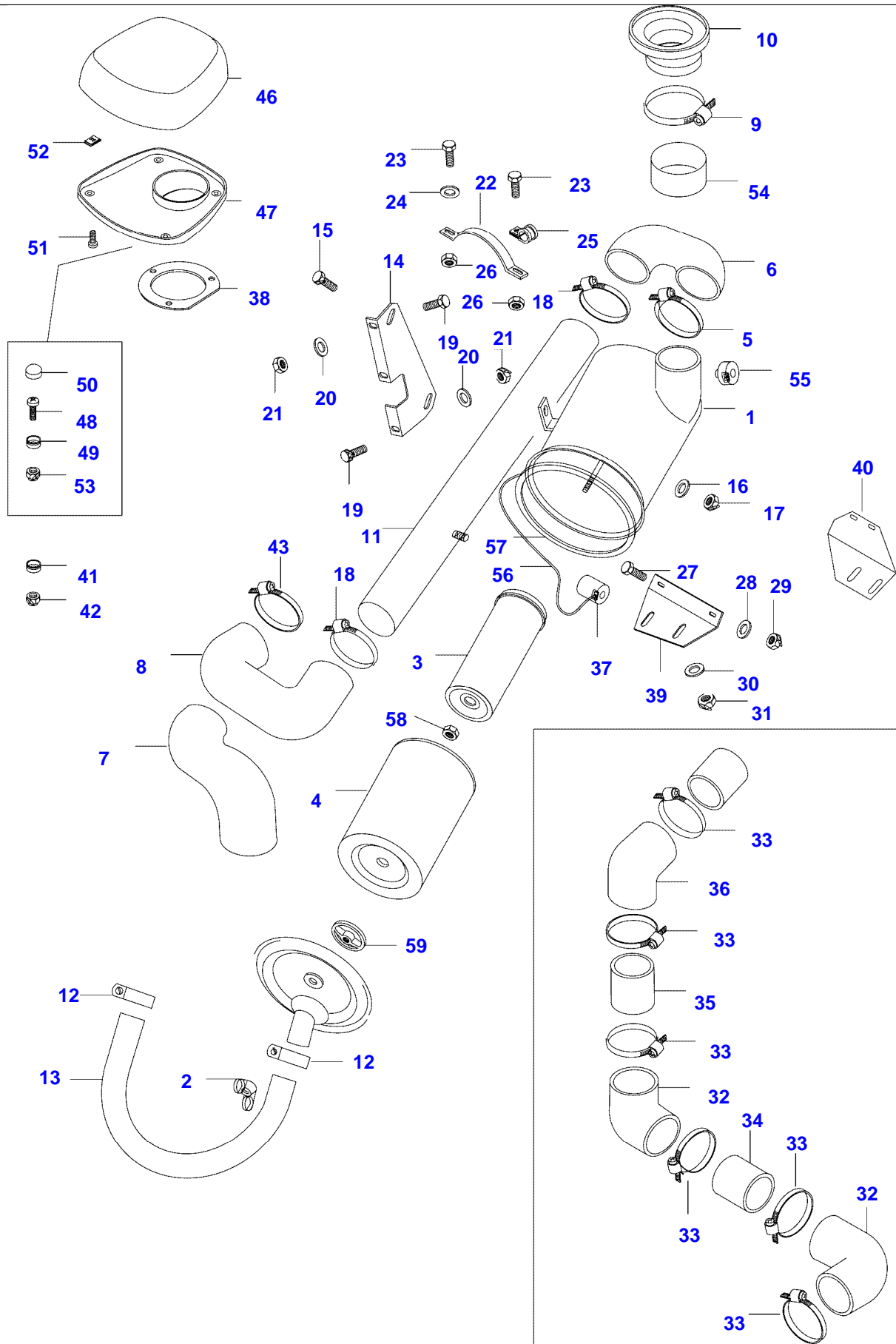
For more complete manuals. Please go to the home page.

<https://www.ebooklibonline.com>

If the above button click is invalid. Please download this document first, and then click the above link to download the complete manual.

Thank you so much for reading

8050E TRACTOR (MEGA SERIES)
 SPIMG-006-21-54



8200

Item	Part Number	Qty	Description Comments	Technical Specification
	V33094100	1	AIR FILTER	
	V33707410	1	AIR FILTER	D=300
	V33094110	1	AIR FILTER	D=300
1	NS	1	NON-SERVICEABLE PART HOUSING	
57	V33572300	1	GASKET	L=960
58	VJB8905	1	LOCKNUT	M10 SFS_EN_ISO_10511
59	V35315600	1	NUT	
2	VJC1610	1	BLADE NUT	M10 DIN315 G5 ZNE
3	V836862574	1	SECONDARY AIR FILTER ELEMENT	
4	V836862573	1	PRIMARY AIR FILTER ELEMENT	
5	VGP3936	1	HOSE CLIP	D=138 SMS2298
6	V32940200	2	CURVED RUBBER	
8	V33346900	1	CURVED RUBBER	
9	VGP3936	1	HOSE CLIP	D=138 SMS2298
10	V33046000	1	SEALING RUBBER	
11	V32940300	1	TUBE	L=1040
12	VGP3919	2	HOSE CLIP	D=26-38 SMS2298
13	V32938700	1	HOSE	L=800
14	V32982400	1	CARRIER	
15	VHA6323	1	SCREW	M8 X 20 CL8.8
16	VJD0408	1	WASHER	M8
17	VJB8904	1	NUT	M8
18	VGP3935	2	HOSE CLIP	D=112 SMS2298
19	VHA9235	1	SCREW	M10 X 20 SFS_EN_ISO_4017 8.8
20	VJD0410	1	WASHER	10.5 X 2 SFS-EN_ISO_7089
21	VJB8905	1	LOCKNUT	M10 SFS_EN_ISO_10511
22	V32968100	1	BAIL	
23	VHA6323	2	SCREW	M8 X 20 CL8.8
24	VJD0408	1	WASHER	M8
25	V30555800	1	PIPE SUPPORT	D=23.8 DIN 3016
26	VJB8904	2	NUT	M8
27	VHA6323	2	SCREW	M8 X 20 CL8.8
28	VJD0408	2	WASHER	M8
29	VJB8904	2	NUT	M8
30	VJD0410	2	WASHER	10.5 X 2 SFS-EN_ISO_7089
31	VJB8905	2	LOCKNUT	M10 SFS_EN_ISO_10511
37	V725260	1	INDICATOR	5 KPA
	V33389600	1	SENSOR	6.5 KPA
38	V33052610	1	GASKET	
39	V32948900	1	CARRIER	
	V33574800	1	CARRIER PUSH BUTTON	
	V33699600	1	CARRIER PUSH BUTTON INTERCOOLER	
40	V33167900	1	CARRIER	
41	VJD0406	6	WASHER	6.4 X 1.6 SFS-EN_ISO_7089
42	VJB8903	3	LOCKNUT	M6 SFS_EN_ISO_7042
43	VGP3934	1	HOSE CLIP	D=85 SMS2298
	V33042610		COVER ASSEMBLY	
46	V33051700	1	COVER	
47	V33045910	1	BOTTOM	
48	VHD9024	3	SCREW	M6 X 16 SFS_EN_ISO_7045 4.8

<https://www.ebooklibonline.com>

Hello dear friend!

Thank you very much for reading.

Enter the link into your browser.

The full manual is available for immediate download.

<https://www.ebooklibonline.com>